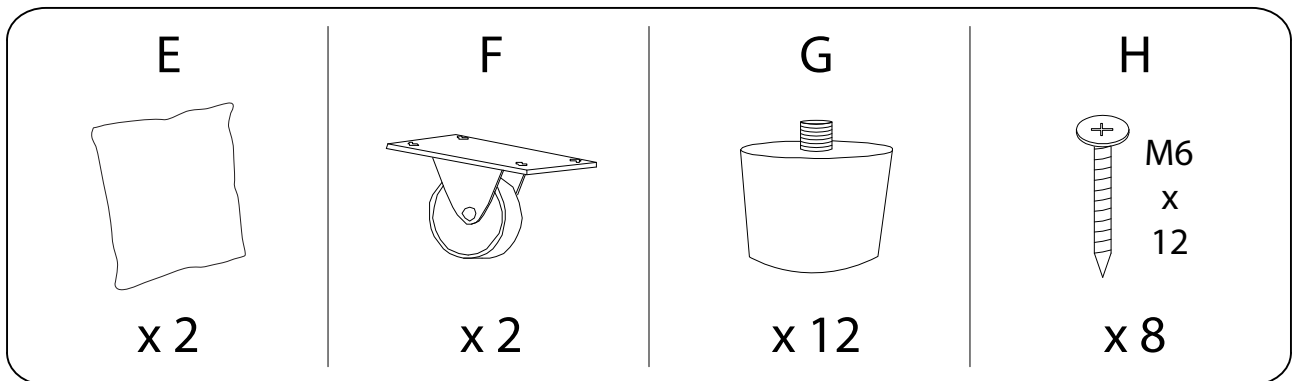
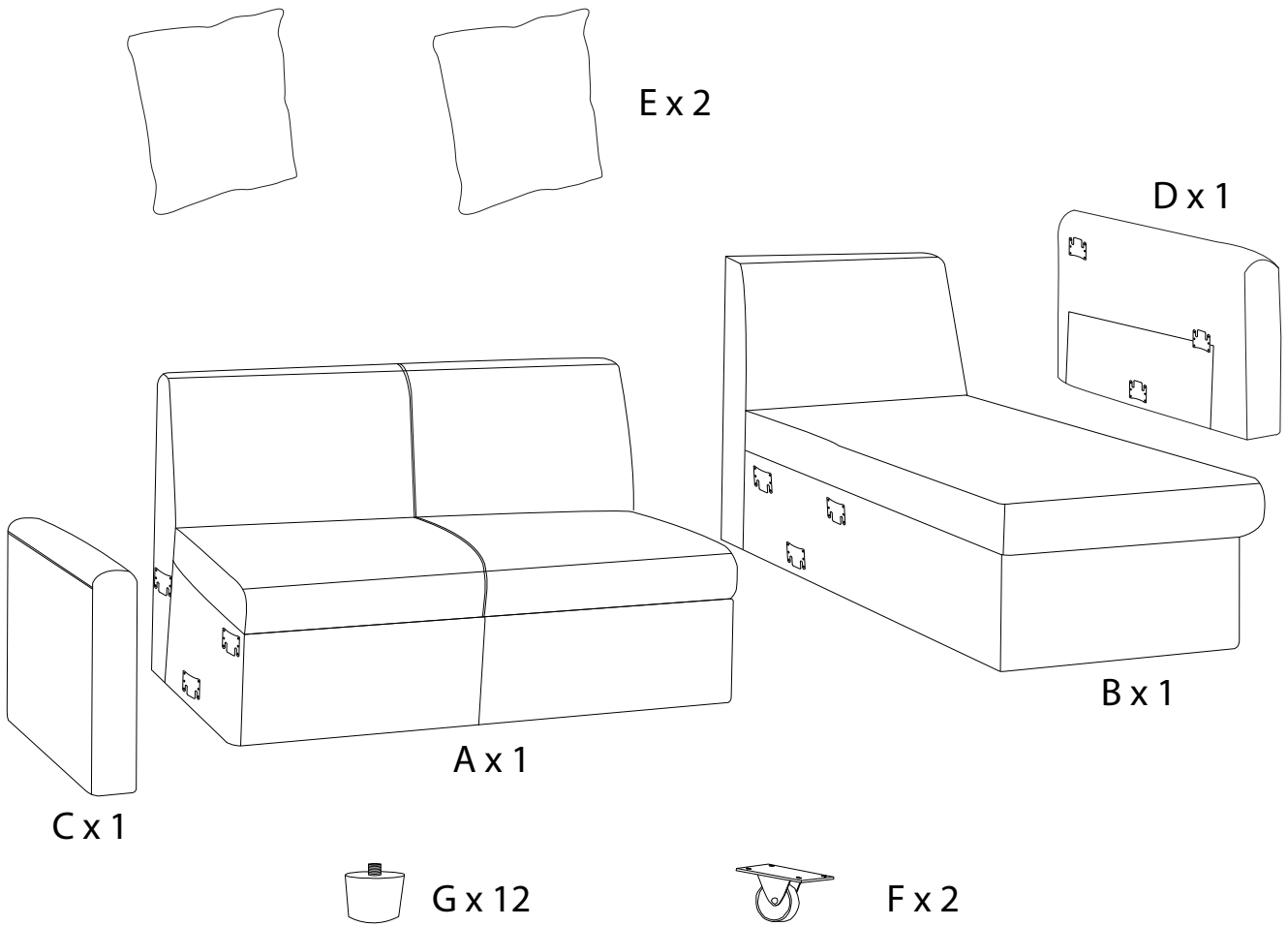
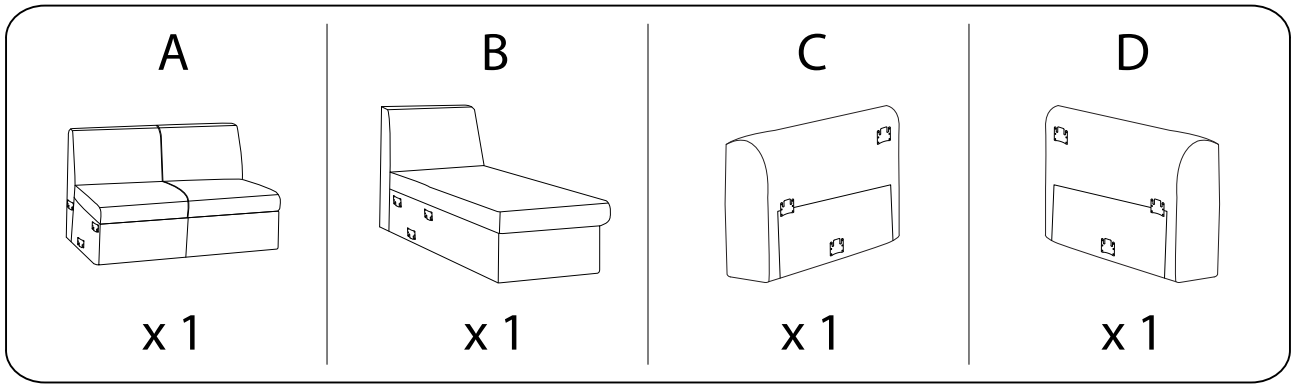


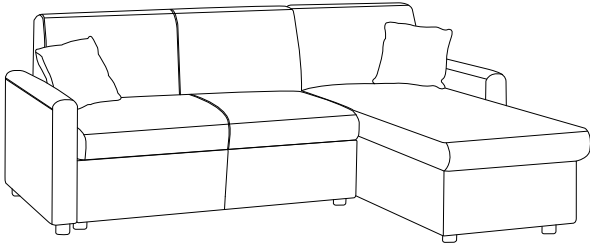
Assembly instructions for step 1/6:

- Tools: A screwdriver is shown as the required tool, and a power drill is shown with a diagonal line through it, indicating it is not to be used.
- Time: A clock icon indicates that this step will take 45 minutes.
- Personnel: A person icon indicates that one person is required for this step.
- Warnings: Two warning triangles with exclamation marks are present, one above the tool section and one above the person icon, indicating potential hazards.

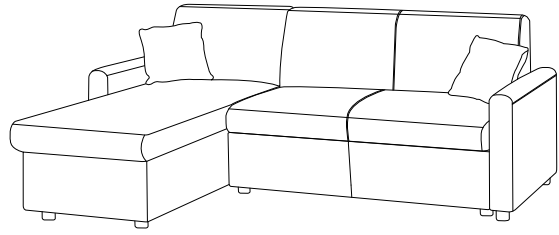


!

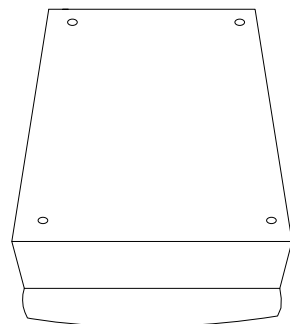
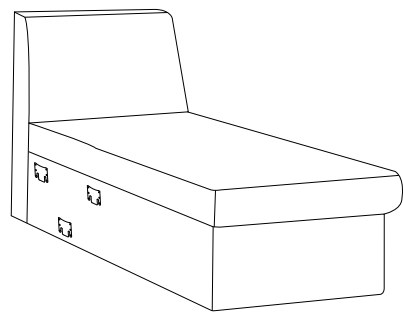
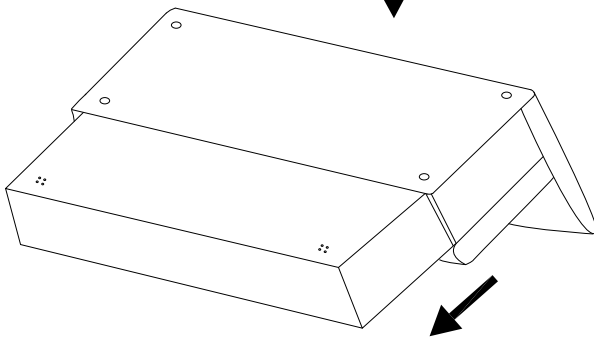
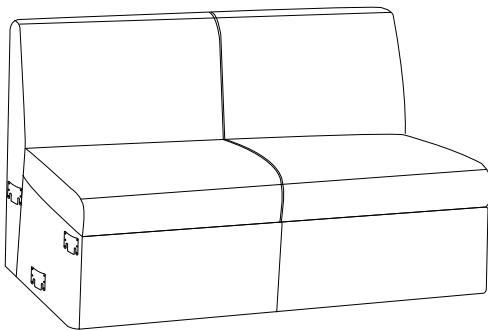
A



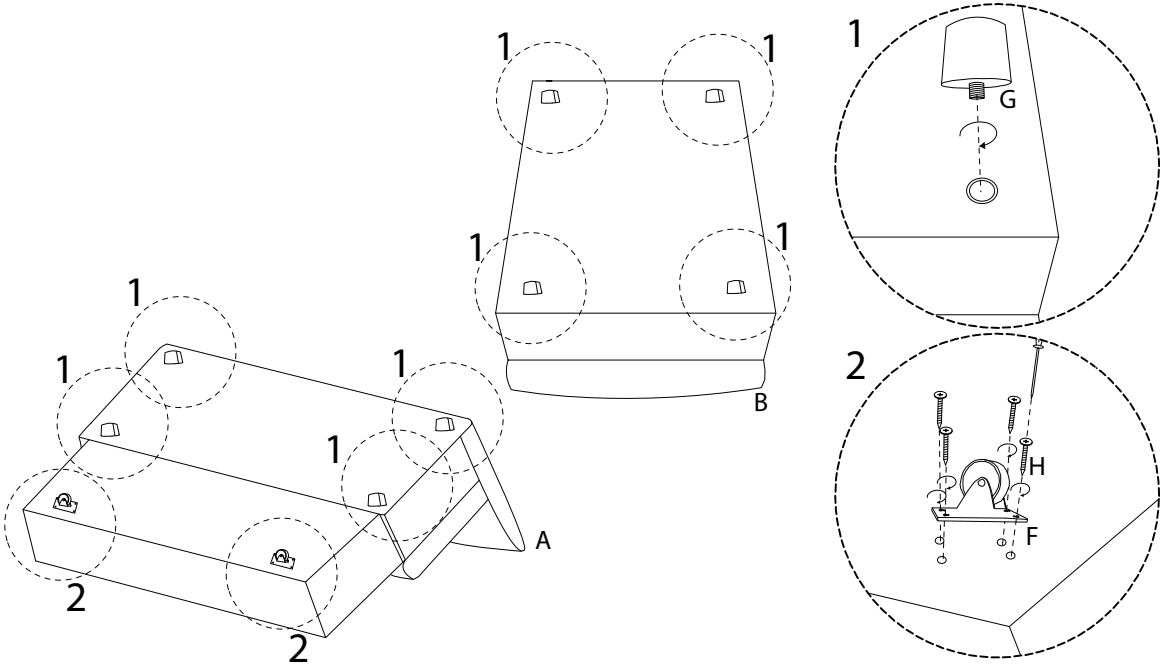
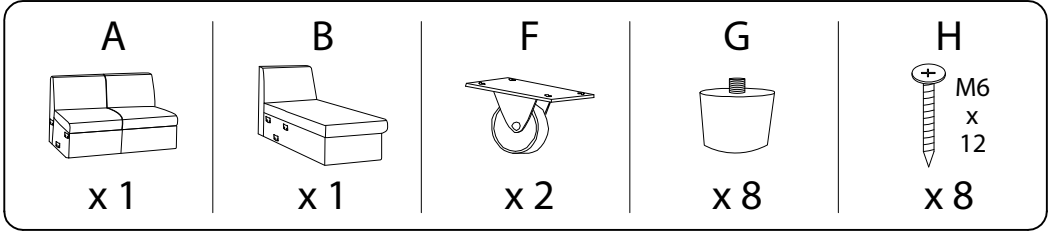
B



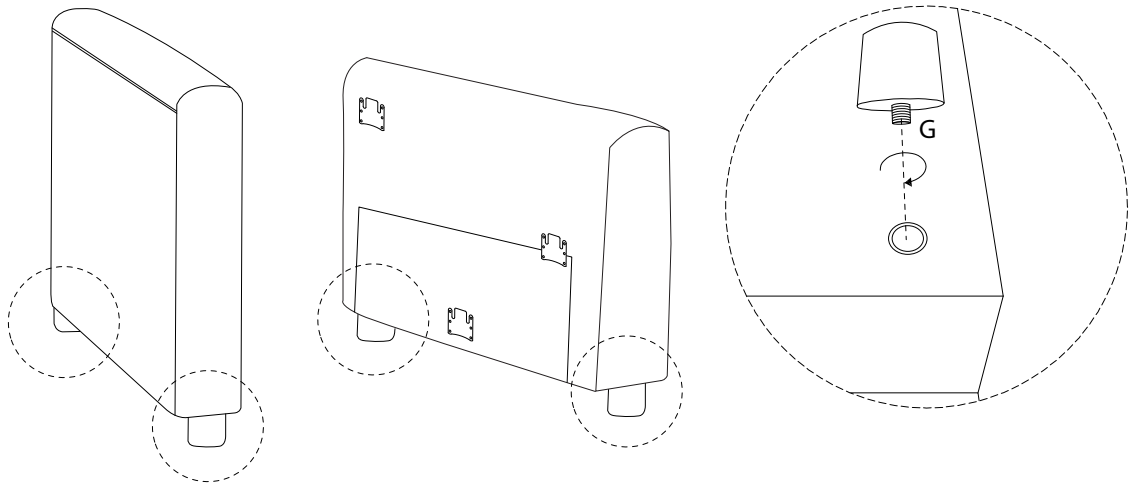
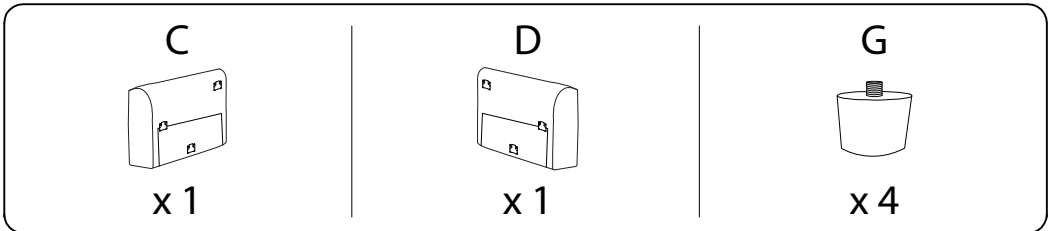
!



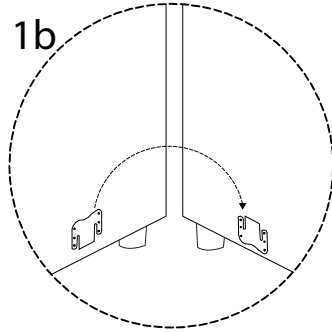
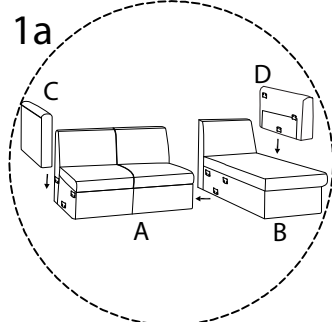
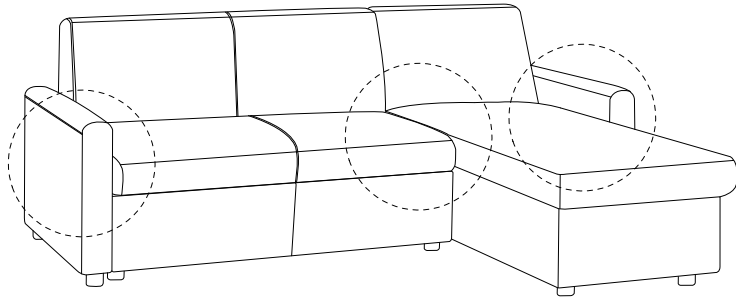
1



2



3



4

