

ASSEMBLY INSTRUCTIONS



Fine Furniture for every stage of life

Counter Height Table & Lazy Susan

REVISION 0: 01/10/2007
REVISION 1: 03/30/2012
REVISION 2: 04/26/2012
REVISION 3: 05/28/2020
REVISION 4: 05/28/2024
REVISION 5: 07/01/2024

ASSEMBLY INSTRUCTIONS

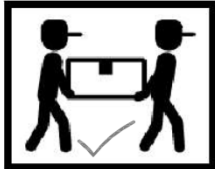
ASSEMBLY TIPS :

1. Remove hardware from box and sort by size.
2. Please check to see that all hardware and parts are present prior to start of assembly.
3. Please follow attached instructions in the same sequence as numbered to assure fast & easy assembly.



WARNING !

1. Don't attempt to repair or modify parts that are broken or defective. Please contact the store immediately.
2. This product is for home use only and not intended for commercial establishments.



ASSEMBLY TIME


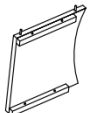



40 MINUTES

PARTS IDENTIFICATION

B1 (BOX 1)







A	TOP WITH MOUNTING PLATE		1PC
G	LAZY SUSAN		1PC

B2 (BOX 2)

B	LEG		4PCS
C	SIDE PANEL		2PCS
D	DOOR PANEL		2PCS
E	TOP PANEL		1PC
F	BOTTOM PANEL		1PC

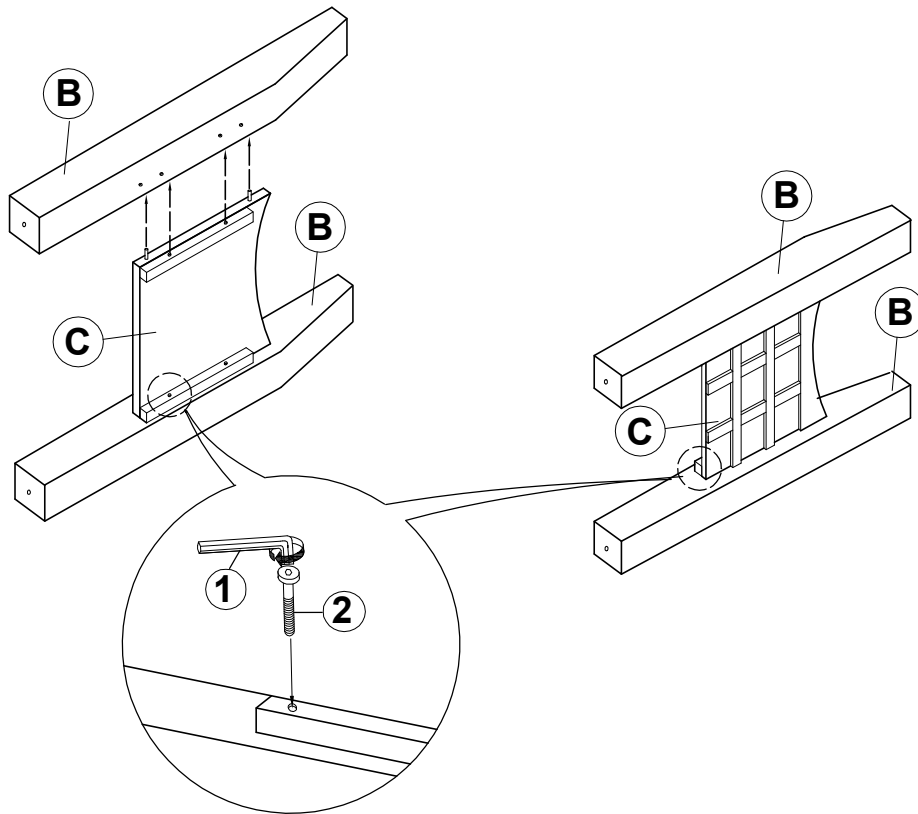
HARDWARE IDENTIFICATION

B2 (BOX 2) - HARDWARE PACK IS LOCATED IN (B2)

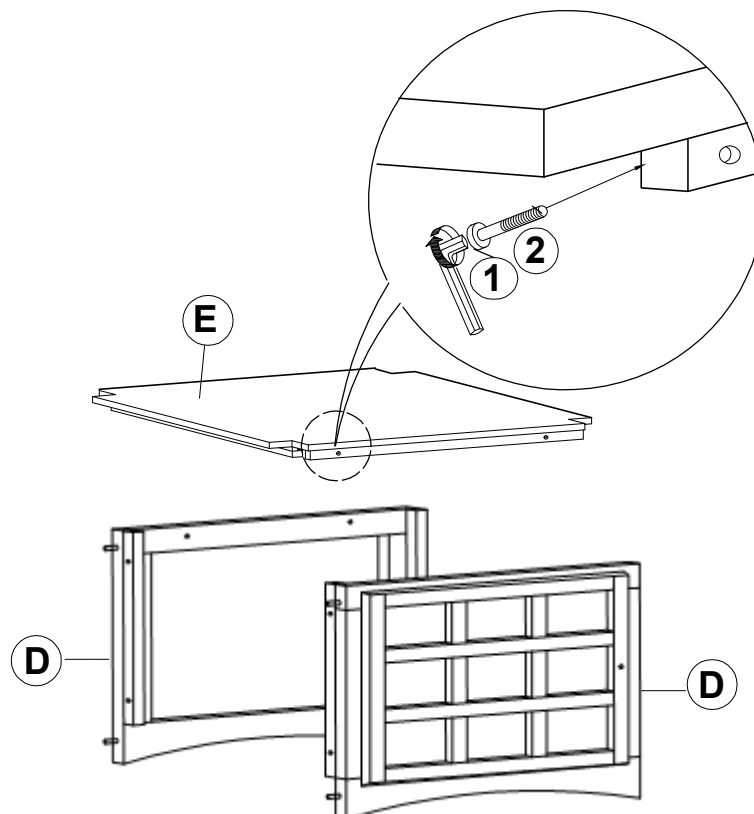
1	ALLEN WRENCH (M4 x 110MM - BLK)		1PC
2	BOLT (M6 x 30MM - RBW)		24PCS
3	HEX HEAD SCREW (M7 x 40MM - RBW)		4PCS
4	KNOB WITH SCREW		2SETS
5	RUBBER DISC (356.21420)		8PCS
6	FLAT WASHER (5/16" - RBW)		4PCS

ASSEMBLY INSTRUCTIONS

STEP 1

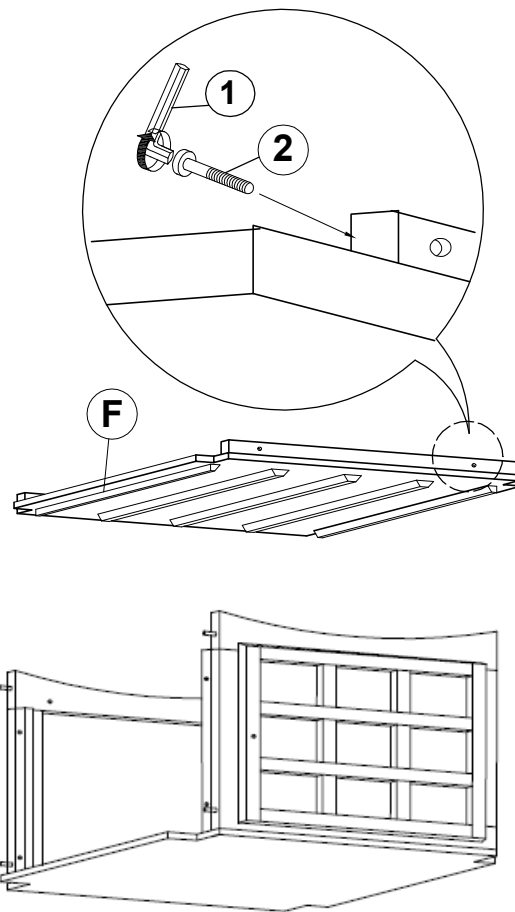


STEP 2

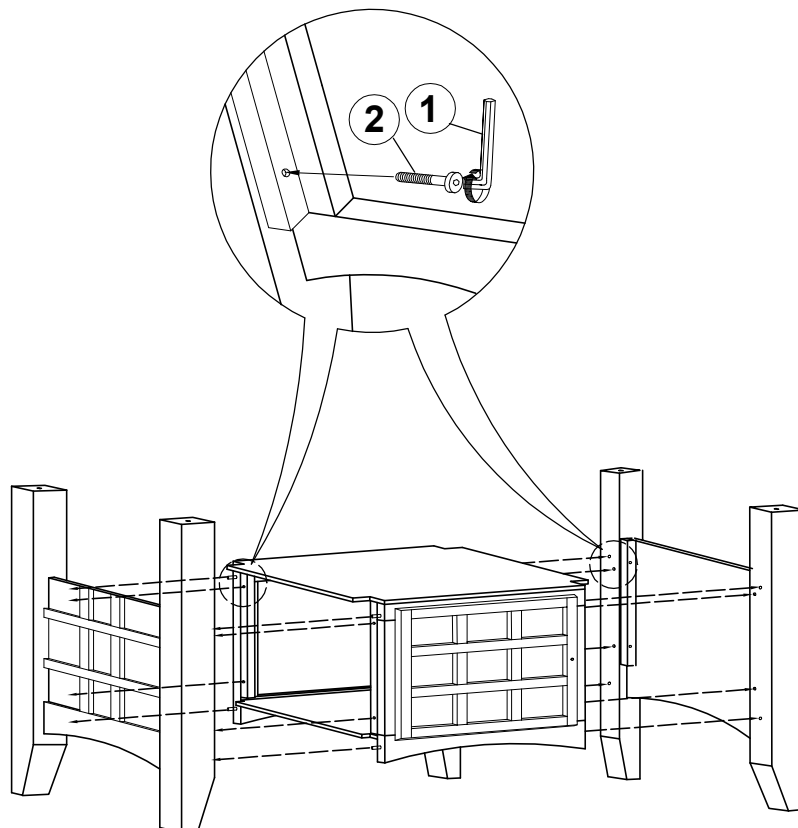


:
ASSEMBLY INSTRUCTIONS

STEP 3



STEP 4

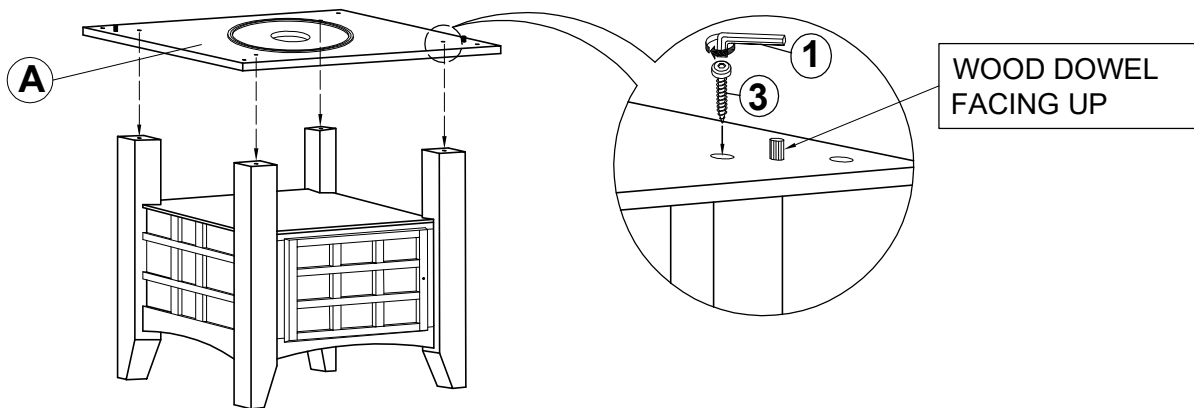
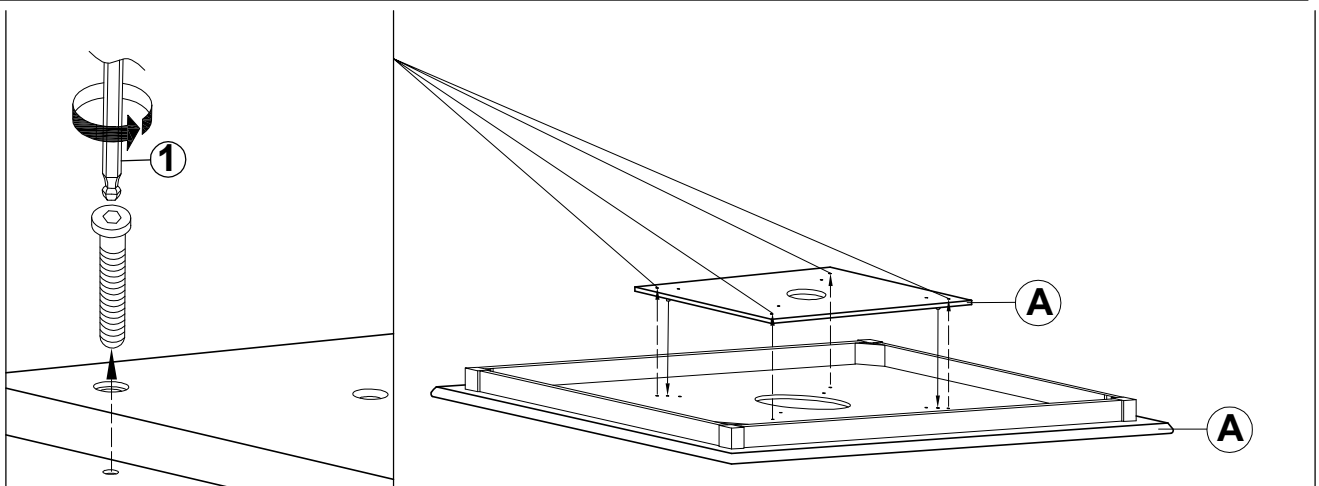


ASSEMBLY INSTRUCTIONS

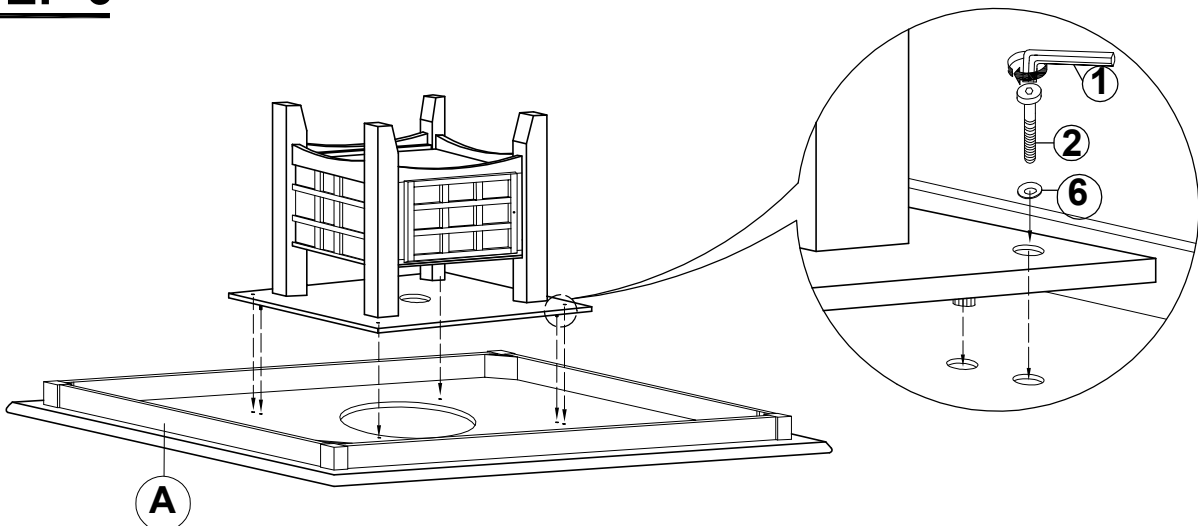
STEP 5

Attention:

Unscrew bolt with Allen wrench to detach the mounting plate from table top. Align and fasten mounting plate to legs using Allen cap screw and tighten with Allen wrench.
(Please ensure the wood dowel on the mounting plate is facing up).

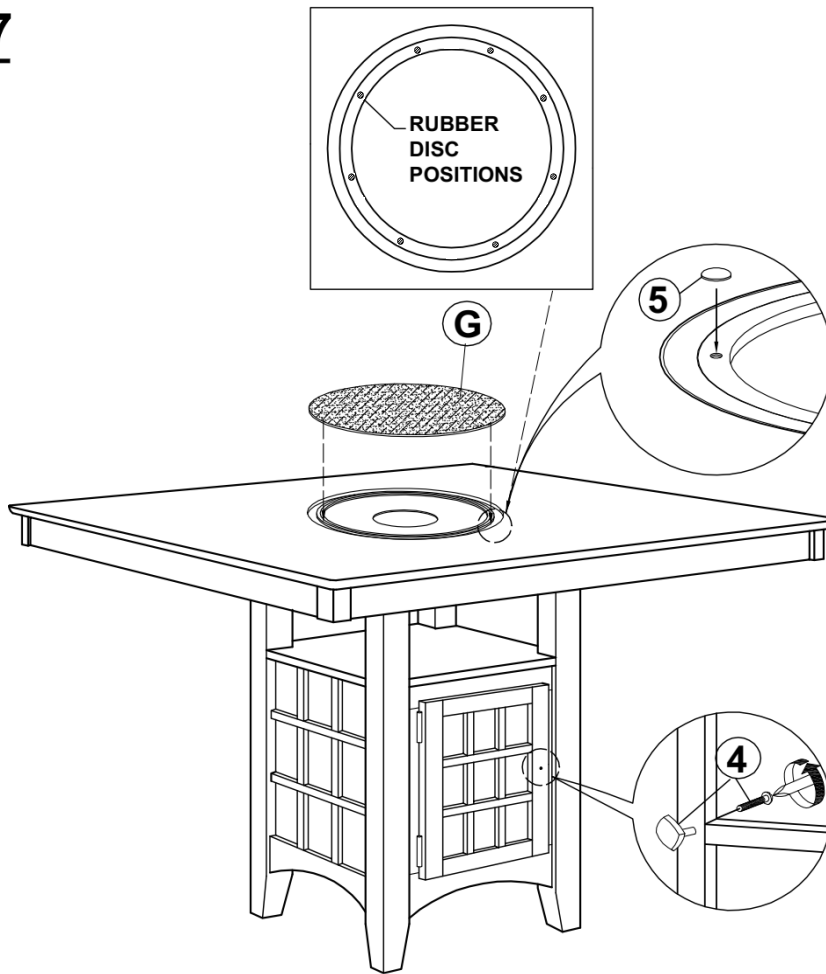


STEP 6

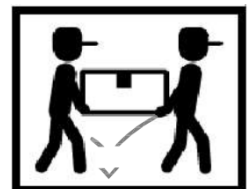
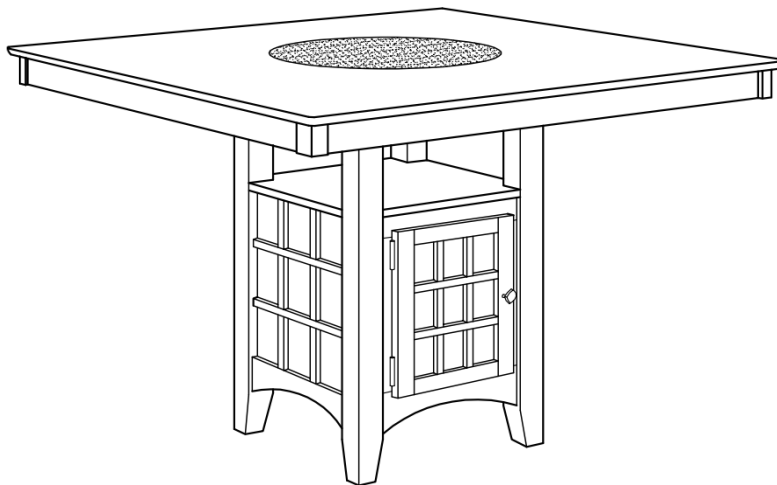


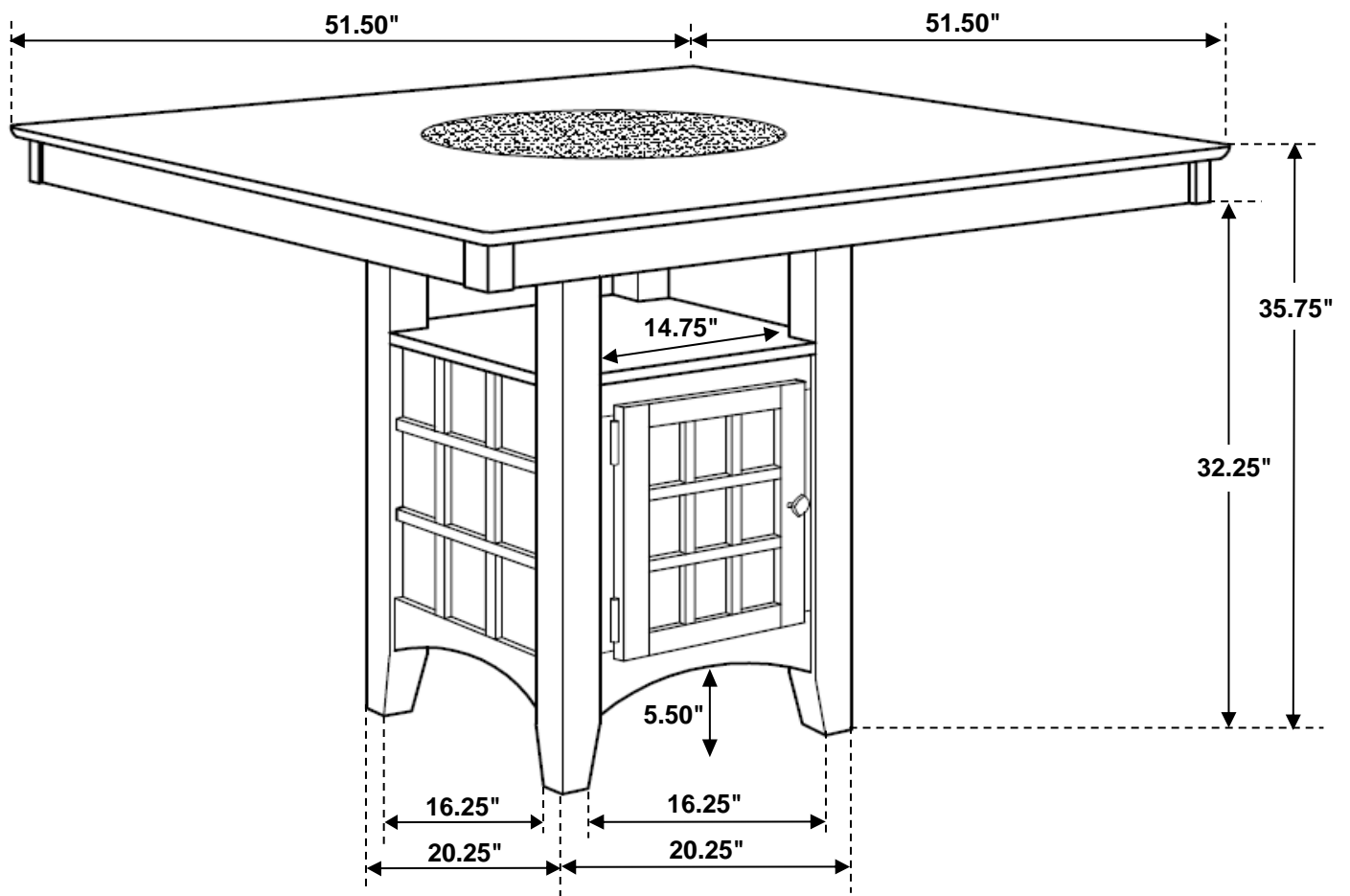
ASSEMBLY INSTRUCTIONS

STEP 7



STEP 8 COMPLETE





Note: Dimension tolerance $\pm 5\%$

ASSEMBLY INSTRUCTIONS



Fine Furniture for every stage of life

Counter Height Chair

REVISION 1: 03/15/2012
REVISION 2: 04/18/2016
REVISION 3: 08/14/2017
REVISION 4: 07/20/2020

ASSEMBLY INSTRUCTIONS

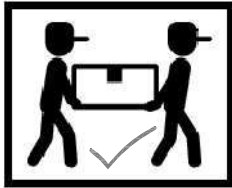
ASSEMBLY TIPS :

1. Remove hardware from box and sort by size.
2. Please check to see that all hardware and parts are present prior to start of assembly.
3. Please follow attached instructions in the same sequence as numbered to assure fast & easy assembly.



WARNING !

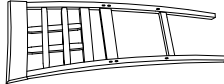
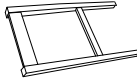
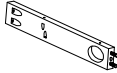
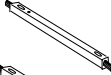
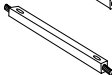

1. Don't attempt to repair or modify parts that are broken or defective. Please contact the store immediately.
2. This product is for home use only and not intended for commercial establishments.




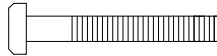



ASSEMBLY TIME

20 MINUTES

PARTS IDENTIFICATION

A	BACK FRAME		1PC
B	FRONT LEG FRAME		1PC
C	SIDE RAIL		2PCS
D1	RIGHT STRETCHER		1PC
E1	LEFT STRETCHER		1PC
F	SEAT CUSHION		1PC

HARDWARE IDENTIFICATION

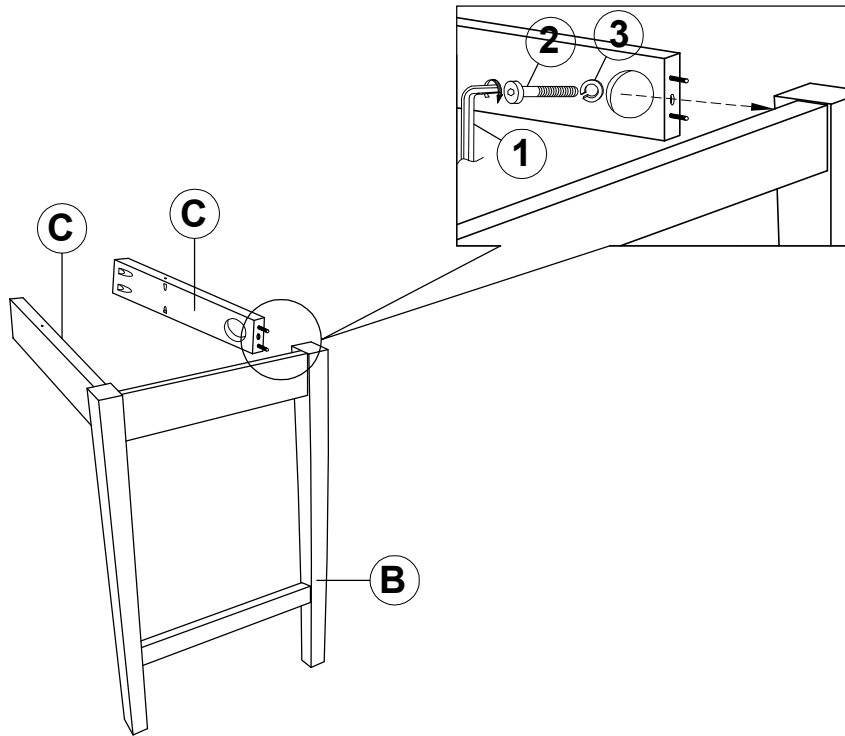
1	ALLEN WRENCH (M4 x 110MM - BLK)		1PC
2	BOLT (M6 x 50mm - RBW)		6PCS
3	LOCK WASHER (1/4" - BLK)		6PCS
4	SHORT PAN HEAD SCREW (#8 x 1" - BLK)		4PCS
5	LONG PAN HEAD SCREW (#8 x 1 1/2" - BLK)		4PCS

NOTE :

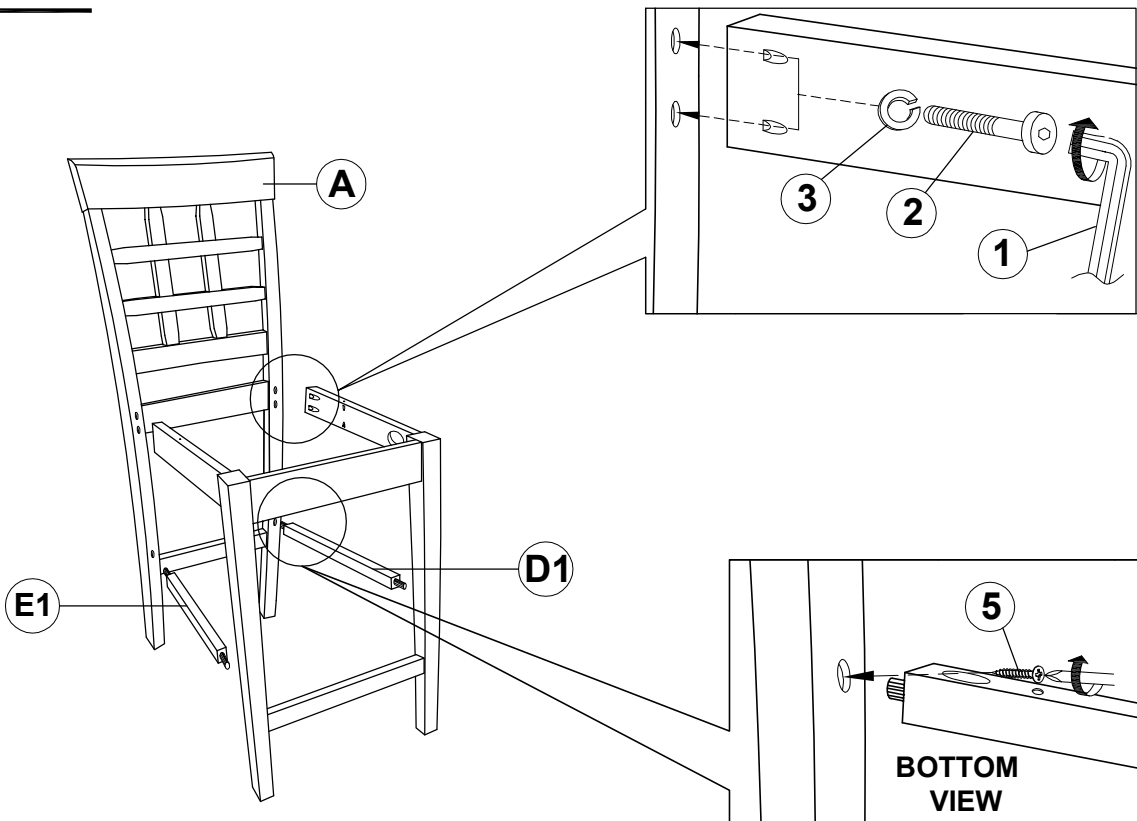
Phillips head screw driver is required in the assembly process ; However, manufacturer not provide this item.
Quantities shown are for one chair.

ASSEMBLY INSTRUCTIONS

STEP 1

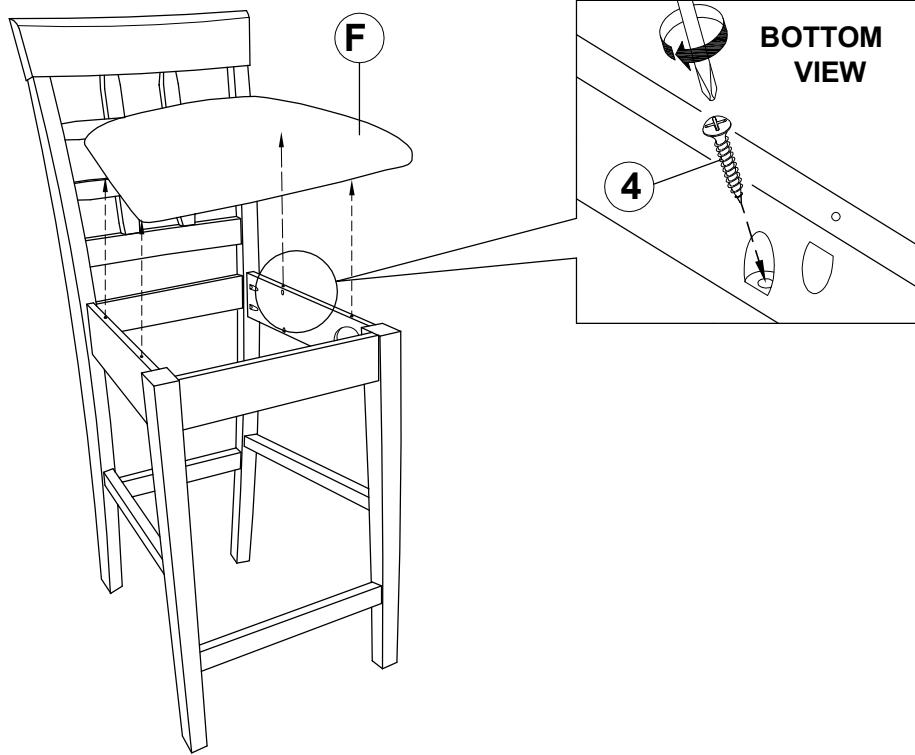


STEP 2

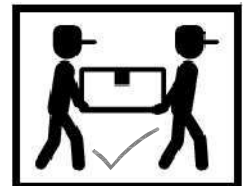
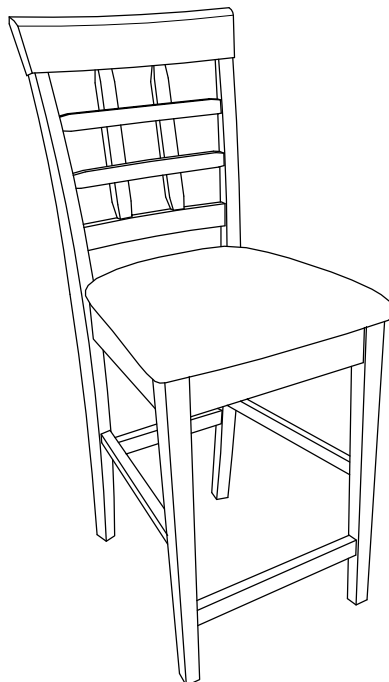


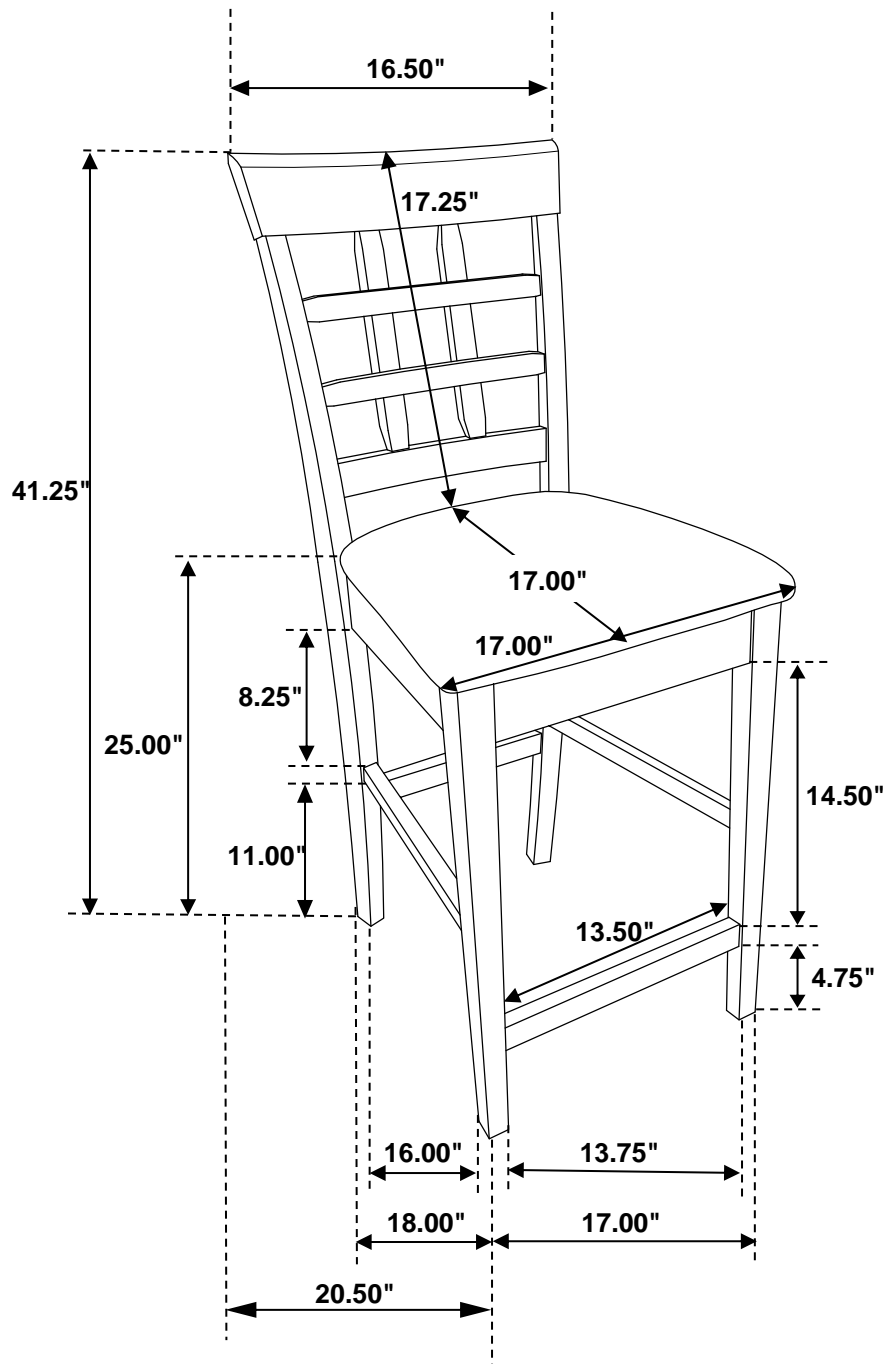
ASSEMBLY INSTRUCTIONS

STEP 3



STEP 4 COMPLETE





Note: Dimension tolerance $\pm 5\%$