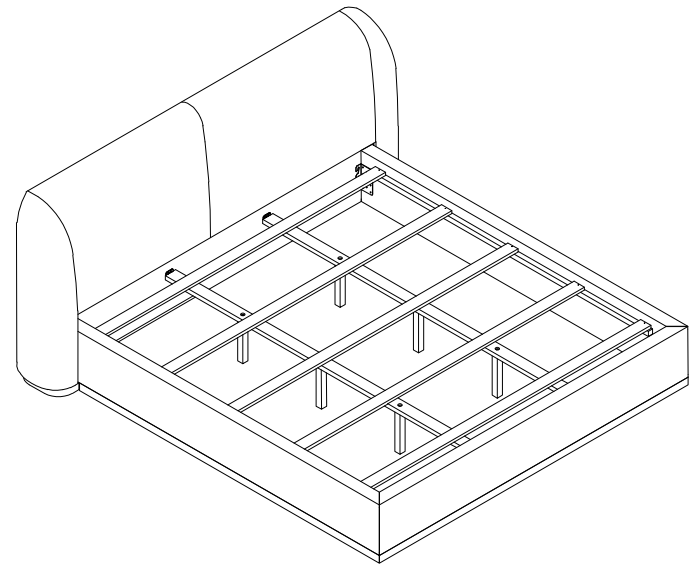


KING BED

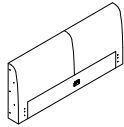
Assembly instructions



Everything we make is incredibly simple to set up, including your new bed. You won't need any additional tools.

Parts List

A x 1
HEADBOARD



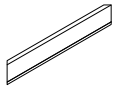
B x 1
HB SIDE POST (LEFT)



C x 1
HB SIDE POST (RIGHT)



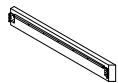
D x 1
FOOTBOARD



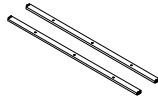
E x 1
SIDE RAIL (LEFT)



F x 1
SIDE RAIL (RIGHT)



G x 2
CENTER SUPPORT RAIL



H x 6
CENTER LEGS



I x 5
SLATS



Hardware List

HW1 x 18
Bolt 5/16" x 38mm



HW2 x 10
Bolt 5/16" x 50mm



HW3 x 22
Spring Washer 5/16"



HW4 x 28
Flat Washer 5/16"



HW5 x 10
Screw M4 x 35mm



HW6 x 8
Screw M4 x 20mm

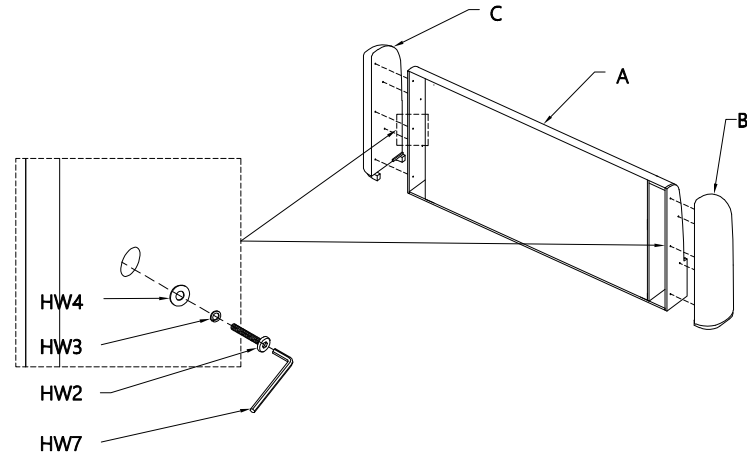


HW7 x 1
Allen Key M5 x 65mm



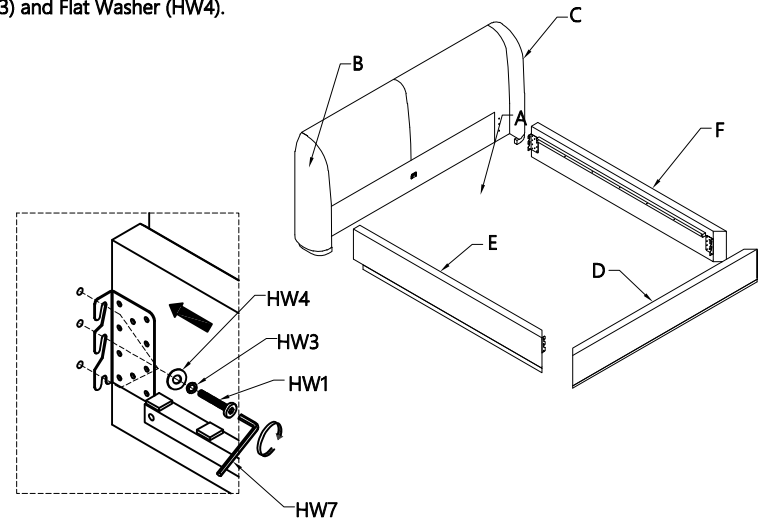
1

Attach the HB Side Post (B) (C) to the Headboard (A) By Bolt (HW2), Spring Washer (HW3) and Flat Washer (HW4), Tighten it by Allen Key (7).



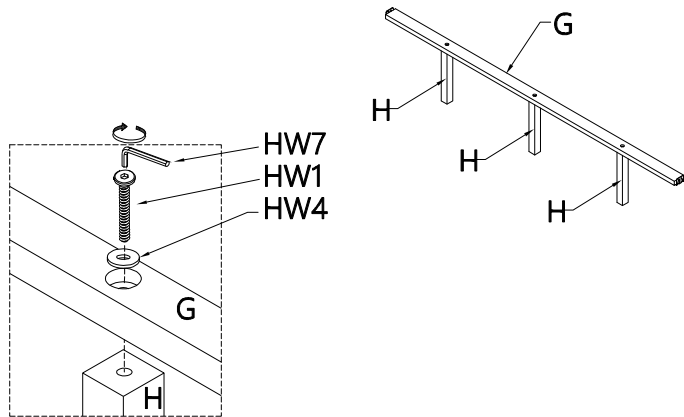
2

Assemble Side Rail (E) (F) to the Footboard (D) and Headboard (A) by Bolt (HW1), Spring Washer (HW3) and Flat Washer (HW4).



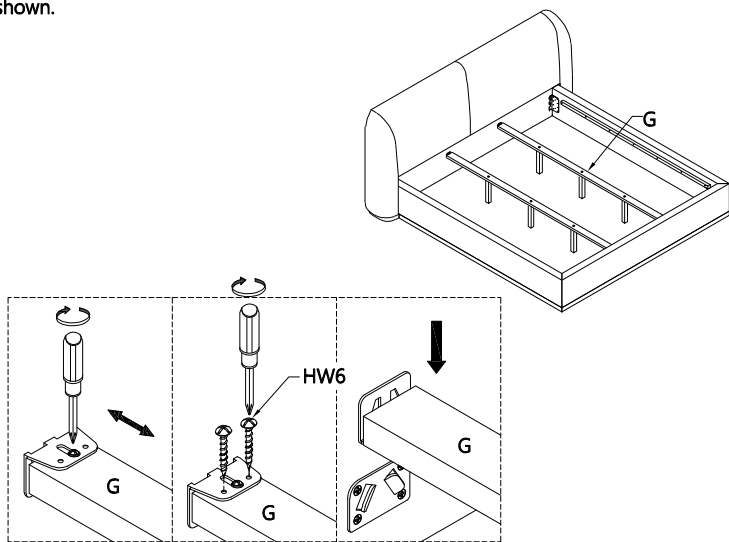
3

Attach Center Support Rail (G) to Center Legs (H) by Bolt (HW1) and Flat Washer (HW4) as shown.



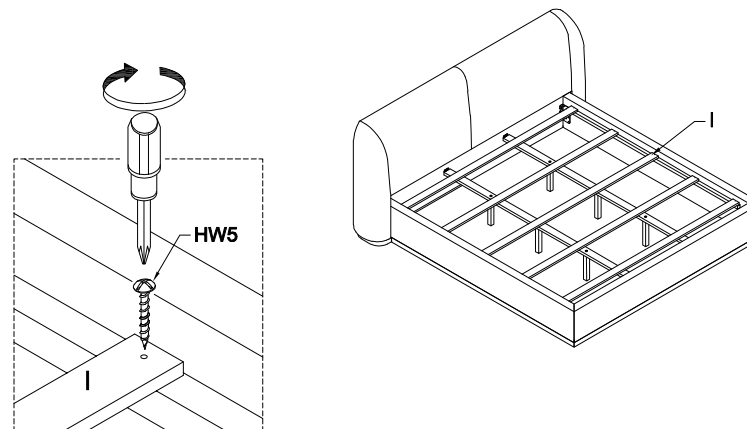
4

Assemble Center Support Rail (G) to the Footboard (D) and Headboard (A) by Screw (HW6) as shown.



5

Insert the Slats (I) into the Side Rail (E) (F) and Central Rail (G) and secure using Screw (HW5).



6

Place the bed in the position you use.

