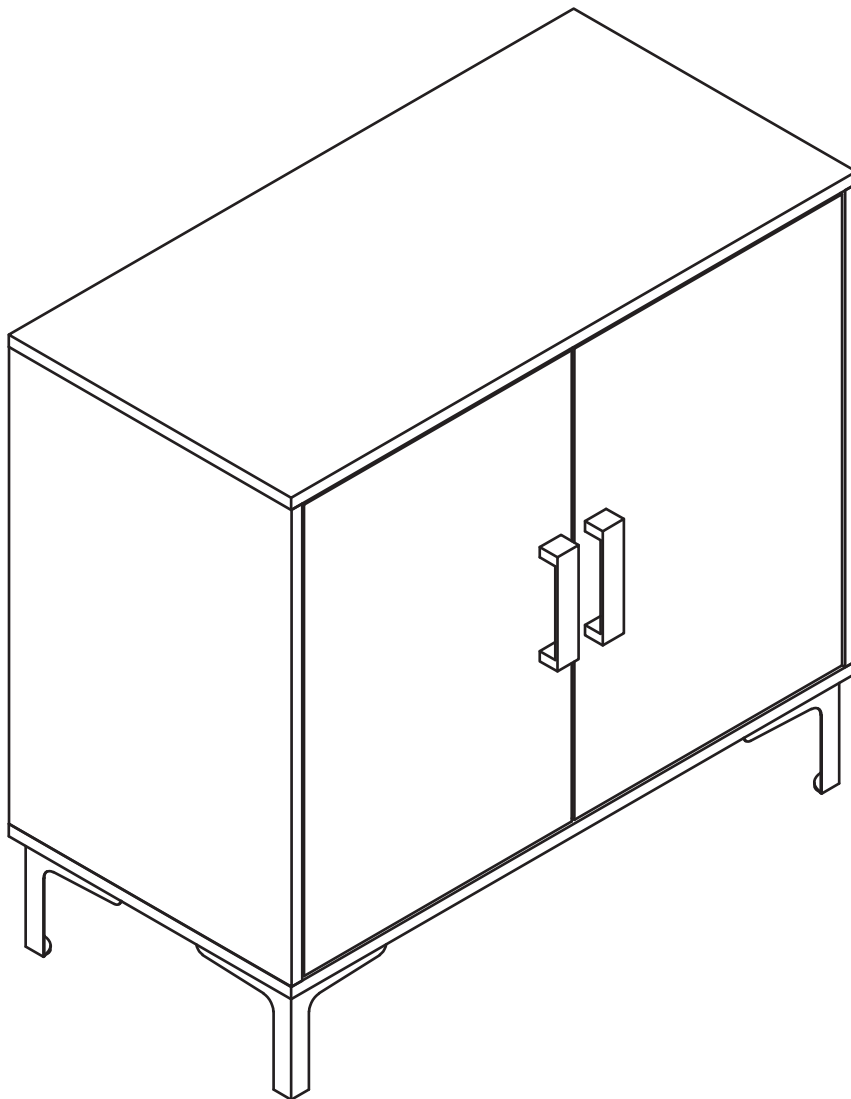

Installation

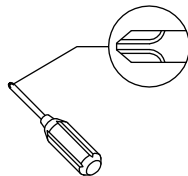


General Guidelines

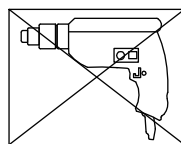
- *Please read the following instruction carefully and use the product accordingly.*
- *Please keep this manual and hand it over when you transfer the product.*

Notes

- *The product is intended for indoor use only. The seller does not assume any responsibility or liability with respect to any damage caused by incorrect assembly or improper use.*
- *Keep away from exposure to direct sunlight or rain, and away from heat sources. Place it in a dry area to avoid peeling or fading.*
- *Please check if there is any welding spatter or debris when you receive the product.*
- *If there are defective or missing parts after unpacking, please contact us immediately.*
- *Please examine the tightness of screws regularly to prevent potential toppling hazard posed by loose screws.*
- *Wipe off any liquid on the tabletop and metal frame with a dry soft towel. Use soft cloth and neutral detergent to wipe it clean, then wipe dry. Do not use an abrasive agent to wipe the product.*
- *A Phillips head screwdriver is required for the assembly of this product .*



- *Power tools should not be used to assemble this product .*

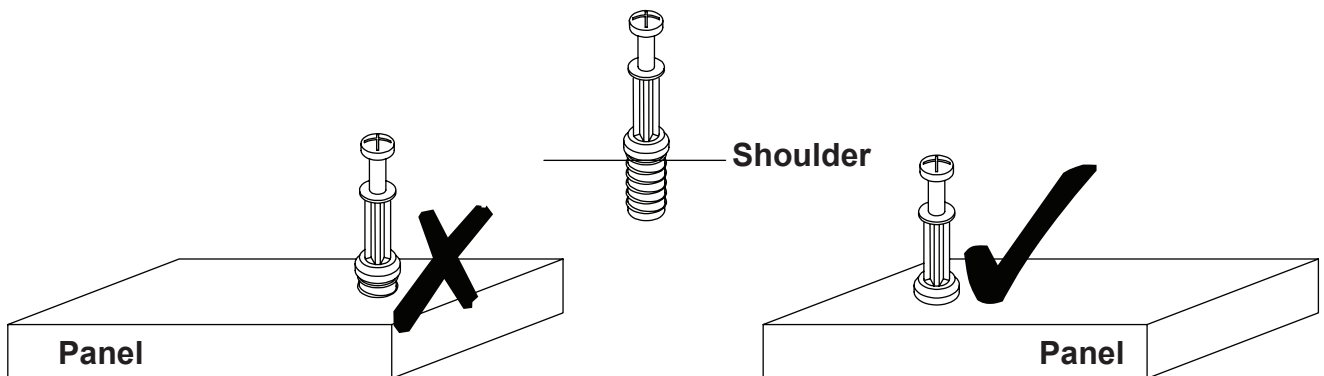


Warnings

- *Do not allow children to climb or play on the product to avoid body injury caused by tilting.*
- *To avoid potential danger of suffocation, keep all parts and packaging (films, plastic bags and foam, etc.) away from babies and children.*
- *Keep away from sharp or corrosive items to avoid potential product damage or bodily injury.*

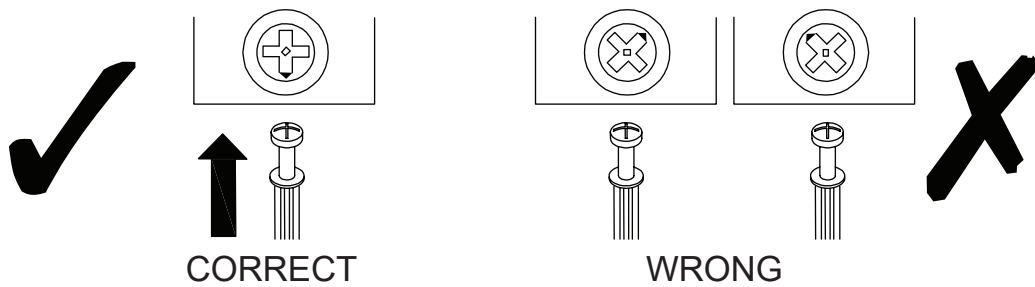
QUICKFIT

Tighten quickfit until shoulder is flush with panel. Do not overtighten or undertighten.



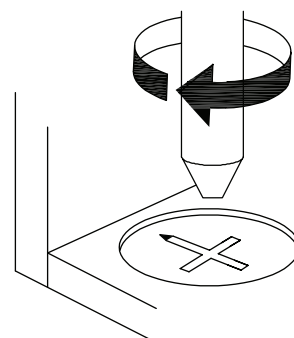
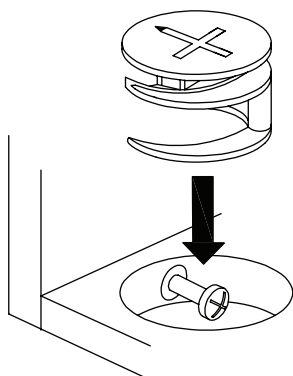
CAM LOCK

When fitting cam lock, ensure starting position is correct before you insert connecting quickfit.

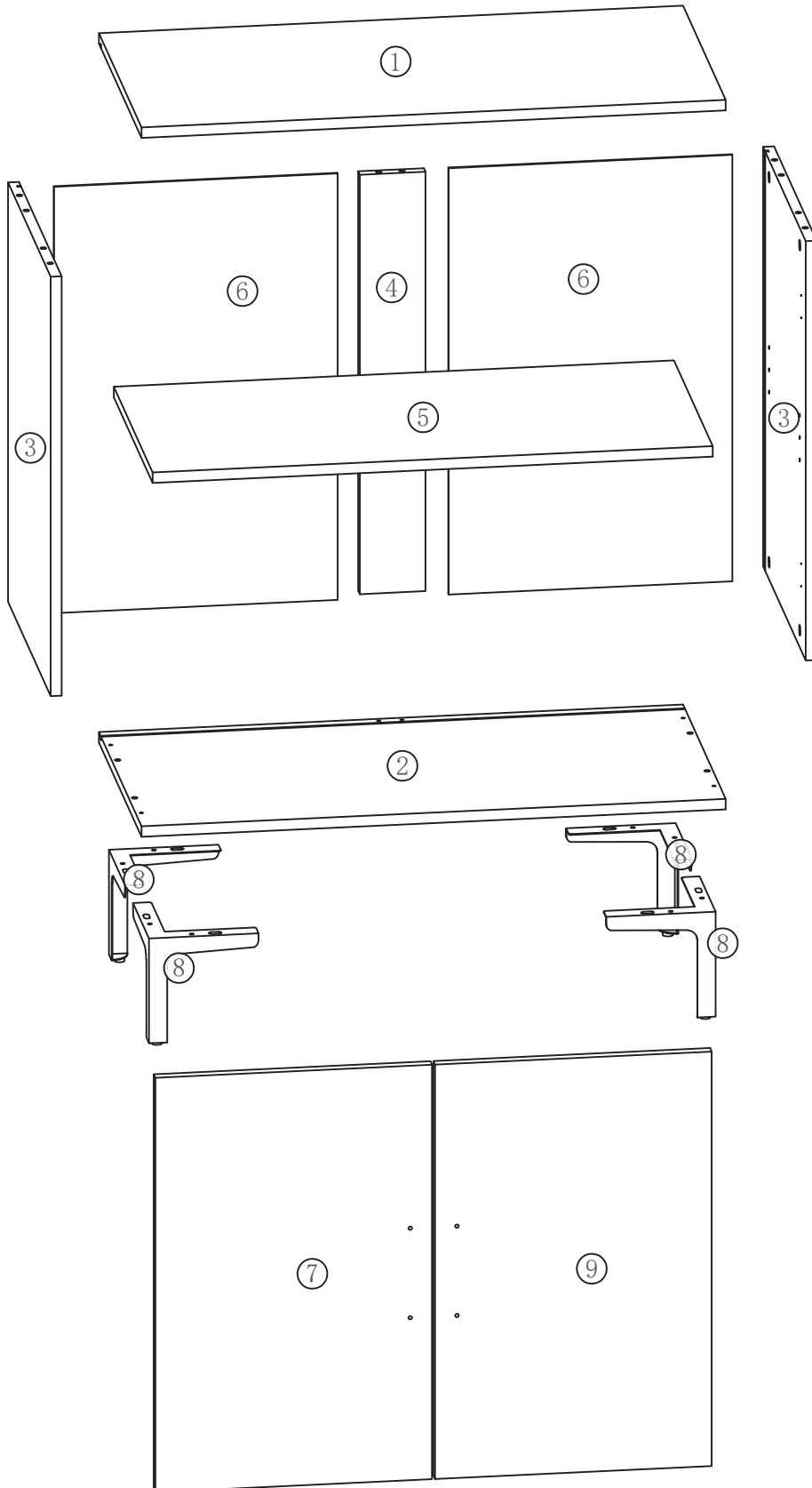


Quickfit head should be in the centre of the cam lock when the two panels are joined.

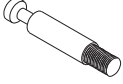

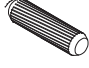
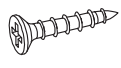

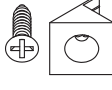

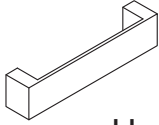
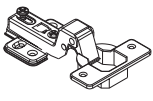
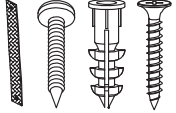
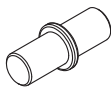
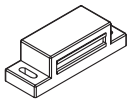
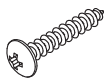

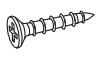

Turn cam lock clockwise to tighten.

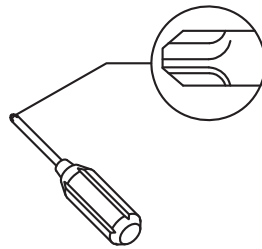


Package Contains



Hardware List

 6x34mm A x 12+1	 15x9mm B x 12+1	 8x30mm C x 8+1	 3.5x14mm D x 32+3	 6x12mm E x 8	 F x 8+2
 4x20mm G x 4+1	 H x 2	 35mm I x 4	 J x 2	 K x 4	 L x 2
 3.5x12mm M x 4+1	 N x 2	 3x12mm O x 4+1	 P x 1		



Philips head screwdriver required for assembly
(not included)

*The hardware quantities listed above are required for proper assembly.
Some extra hardware may also have been included.*

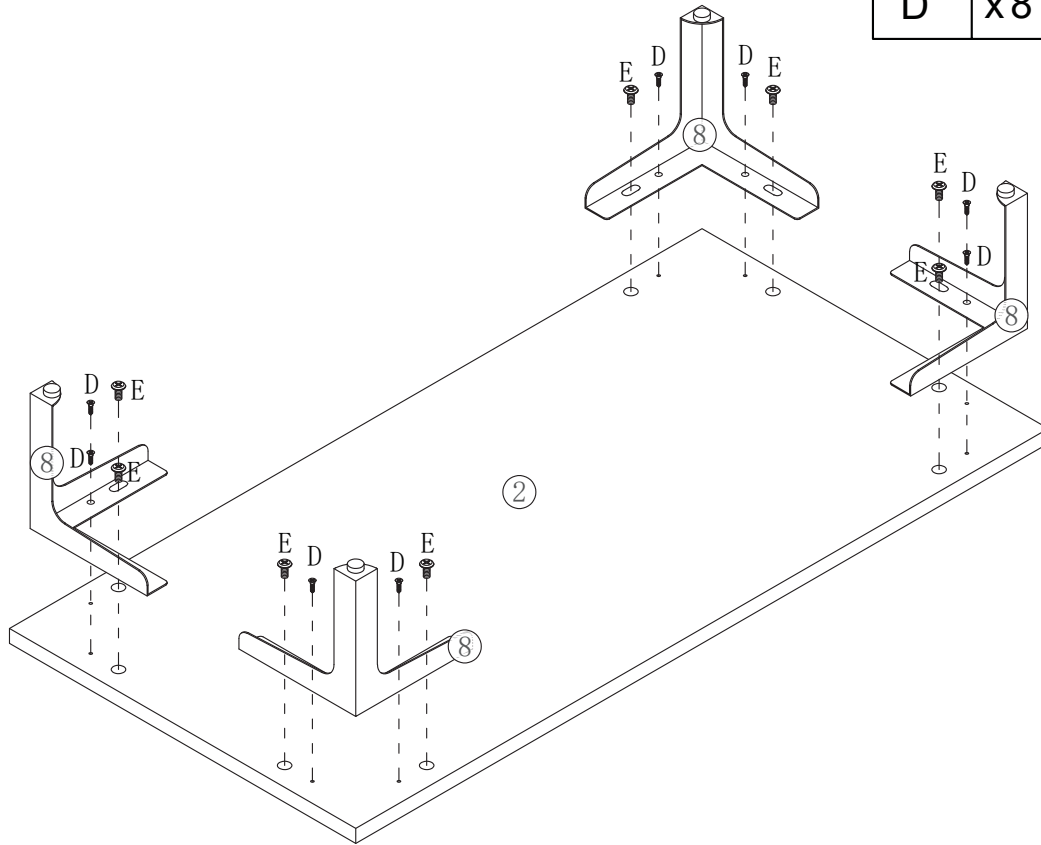
IMPORTANT

- 1. Do not tighten bolts / screws completely until all bolts / screws are lined up and inserted into holes.*
- 2. Do not over tighten screws and bolts to avoid stripping.*
- 3. Please use hand tools to assemble this product. Do not use power tools.*

1

You will need

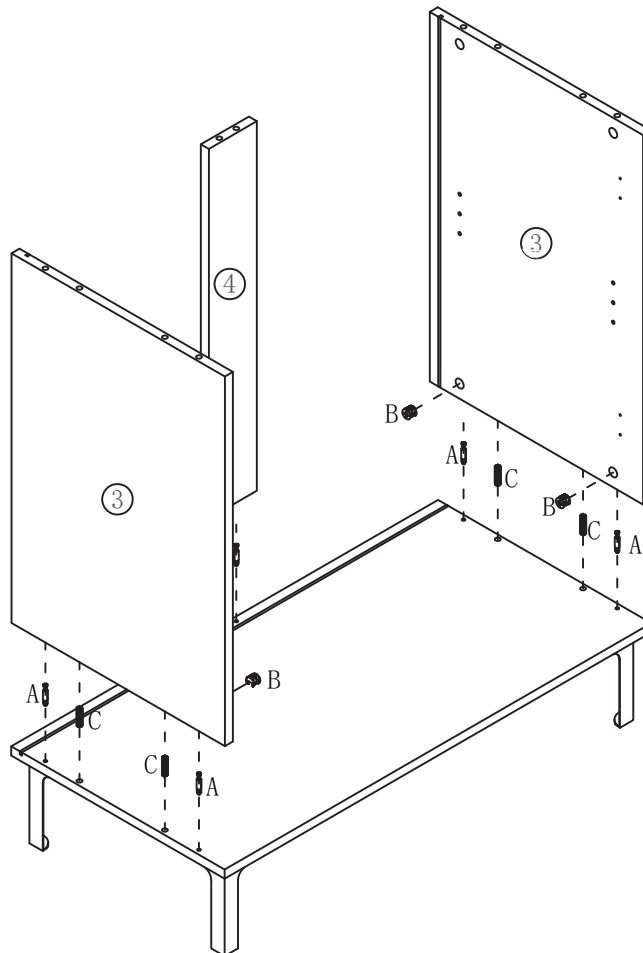
D	x8	E	x8
---	----	---	----



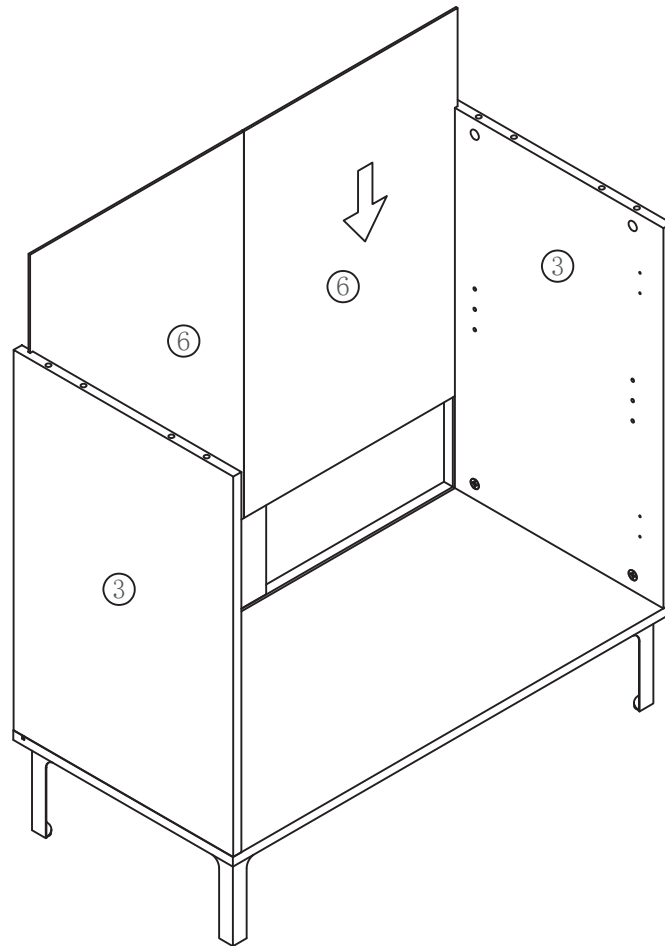
2

You will need

A	x4	B	x4
		C	x4



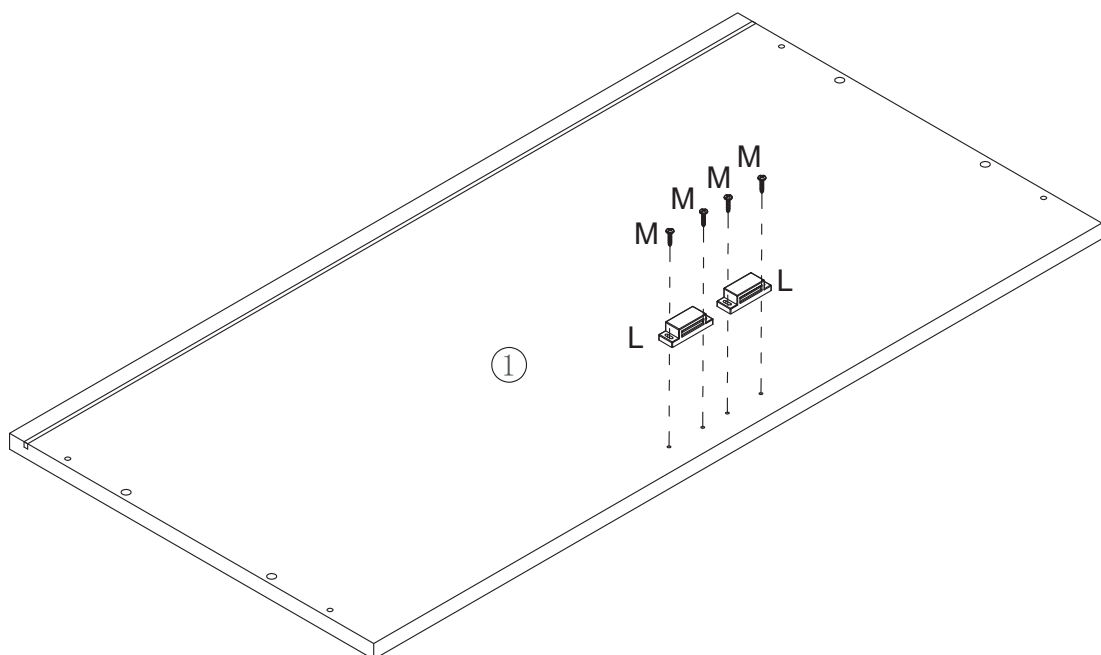
3



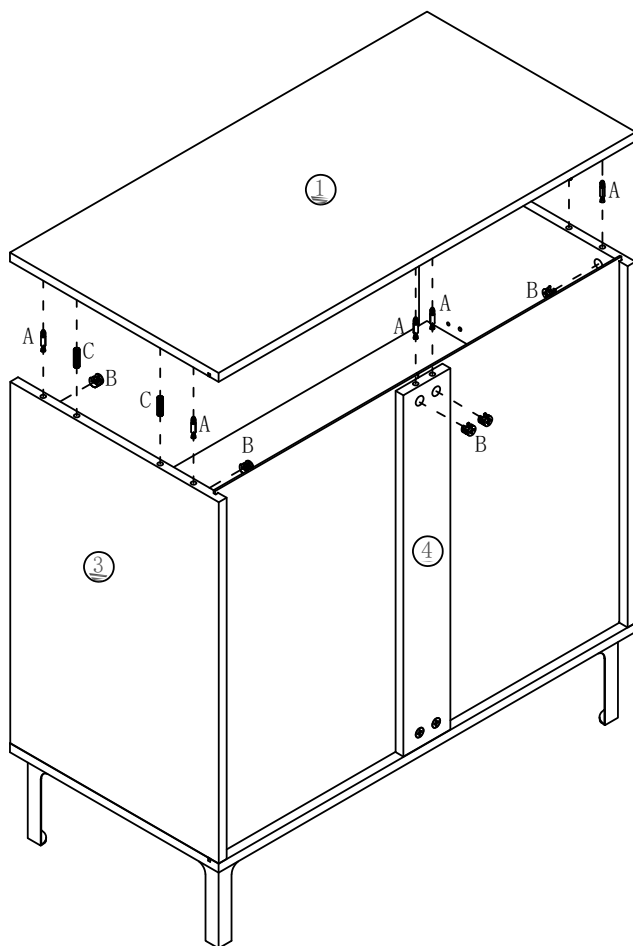
4

You will need

L	x2	M	x4
---	----	---	----



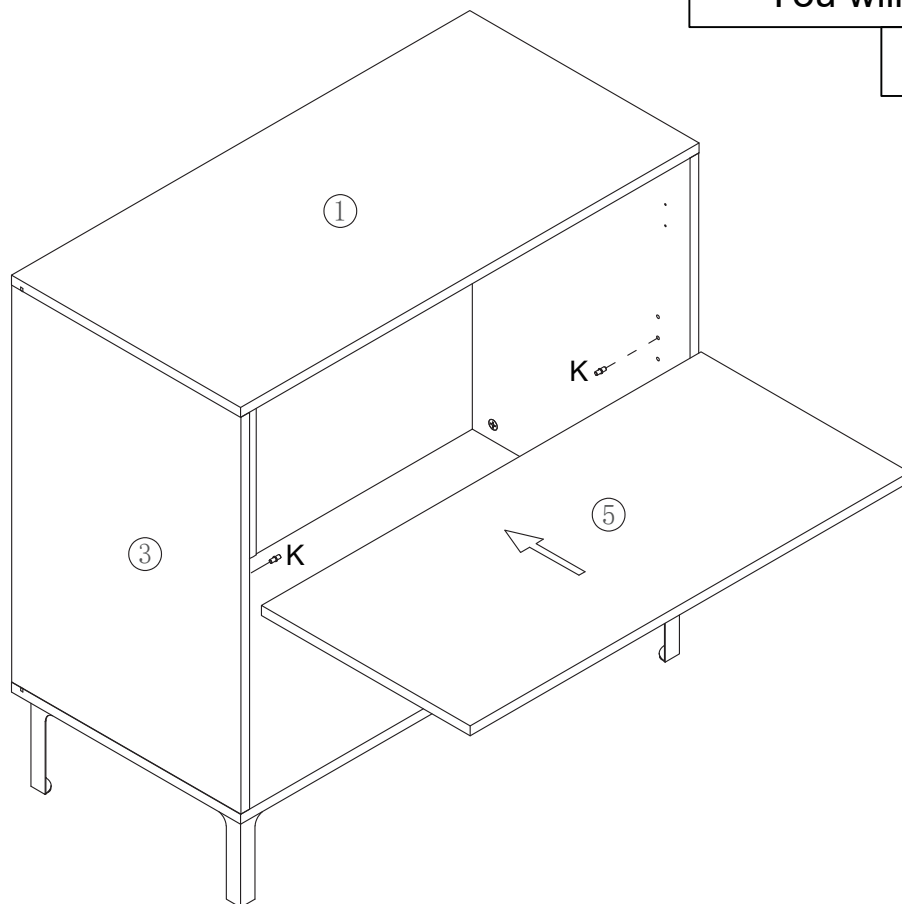
5



You will need

A	x4	B	x4
		C	x4

6



You will need

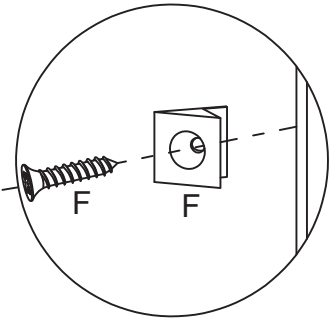
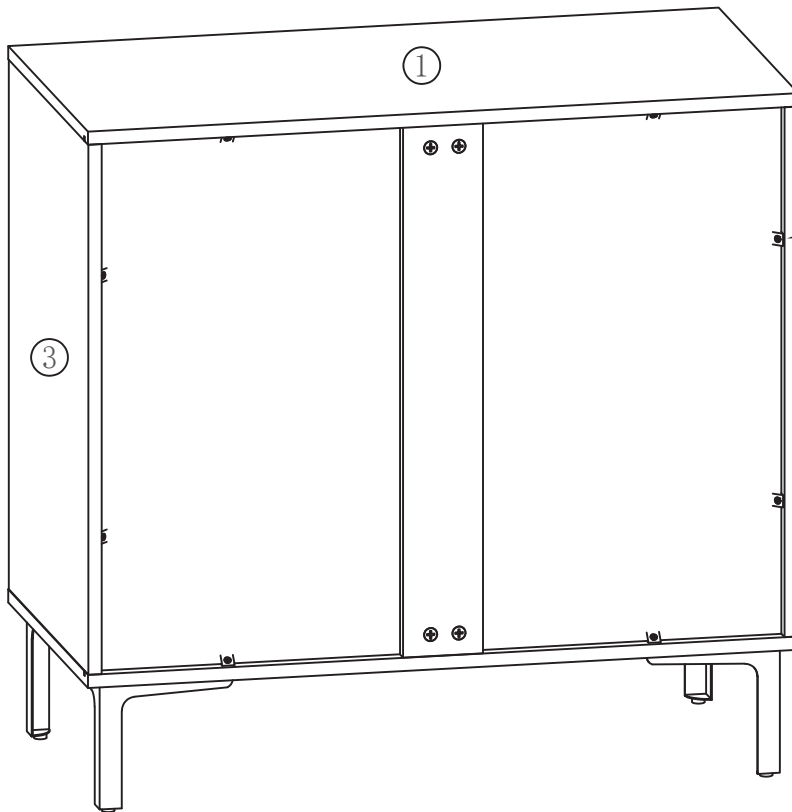
K	x4
---	----

7

You will need

F

x8



8

You will need

D

x8

G

x4

H

x2

I

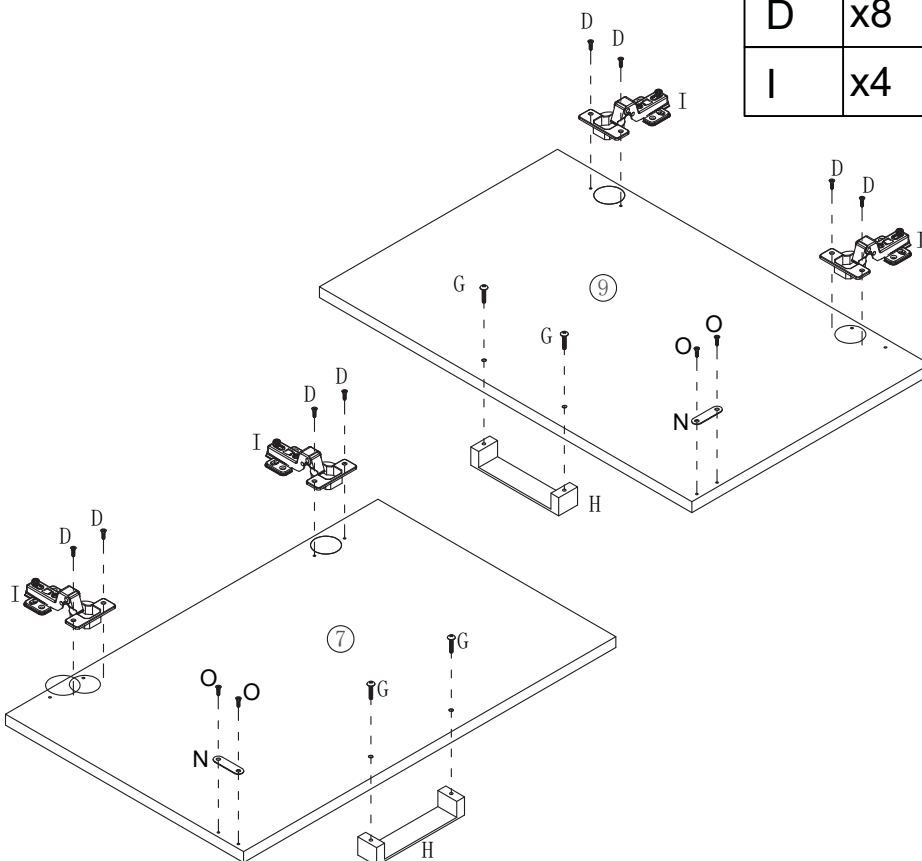
x4

N

x2

O

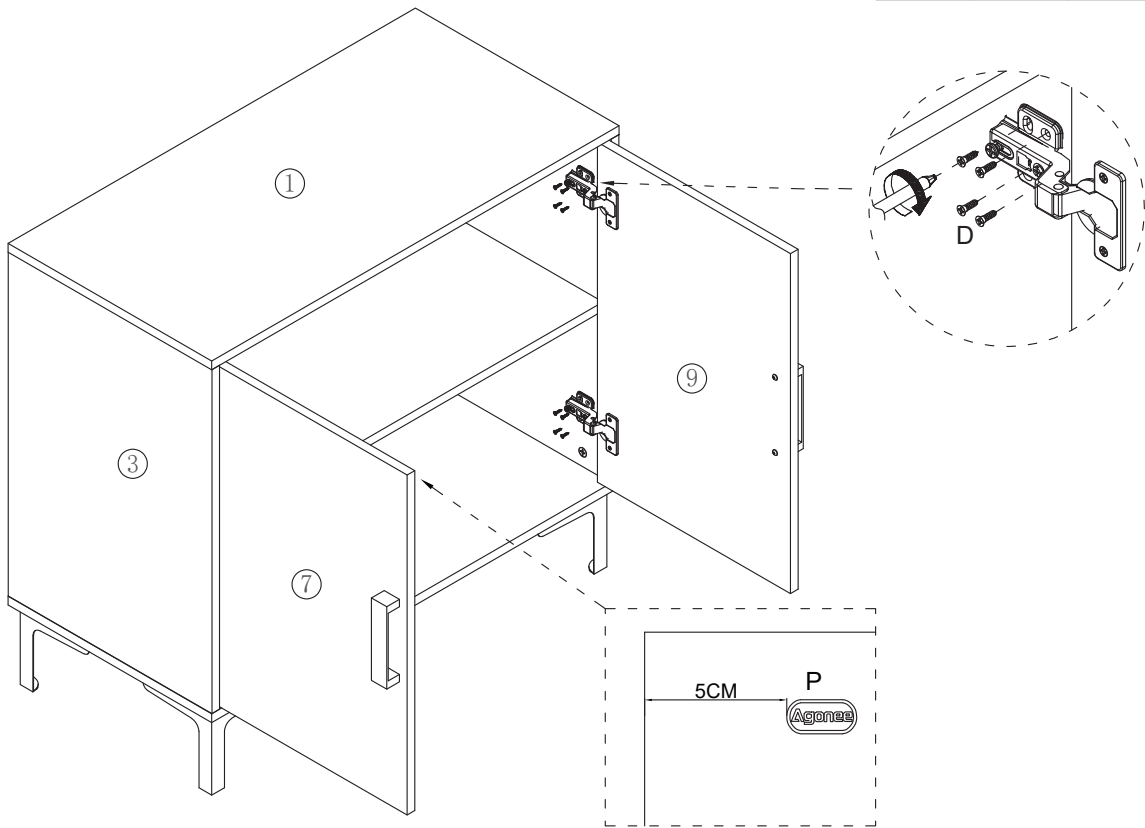
x4



9

You will need

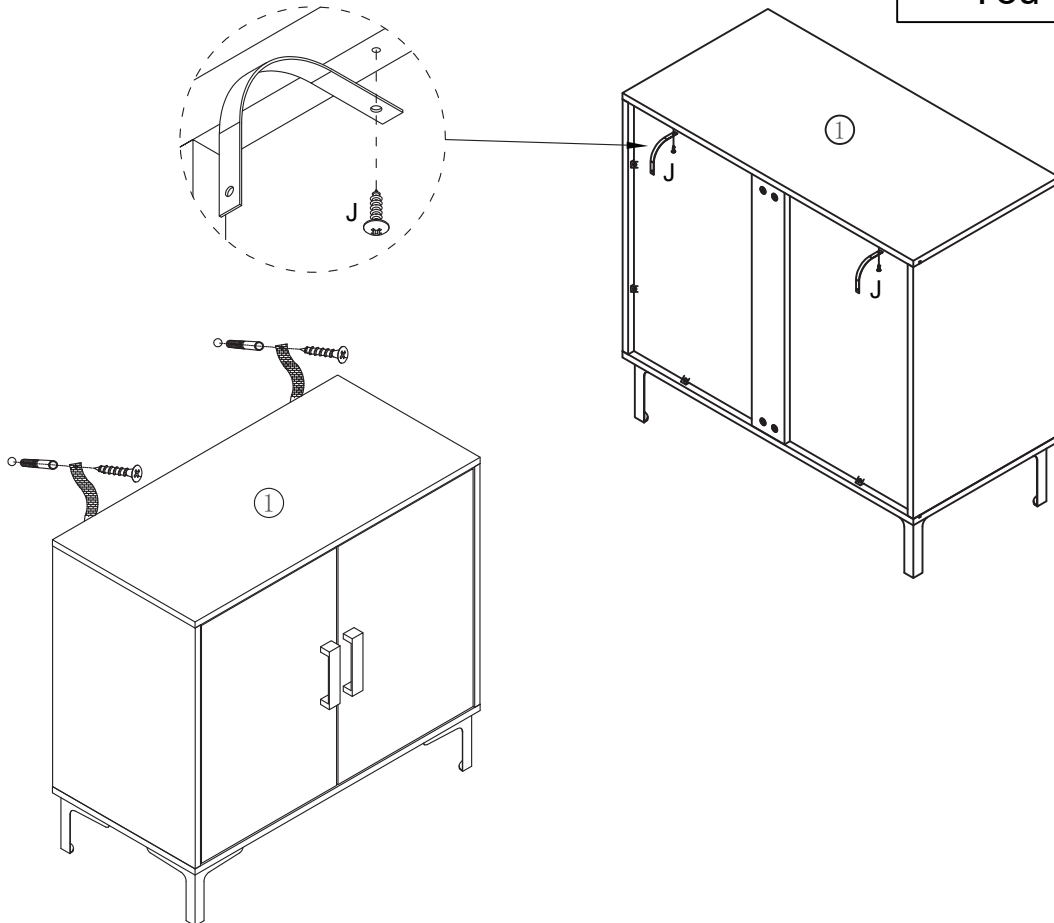
D	x16	P	x1
---	-----	---	----



10

You will need

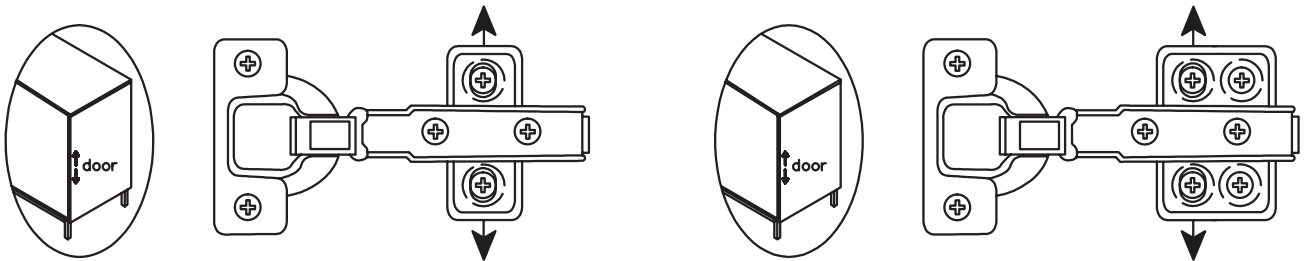
J	x2
---	----



Is your cabinet door looking crooked or unevenly spaced?

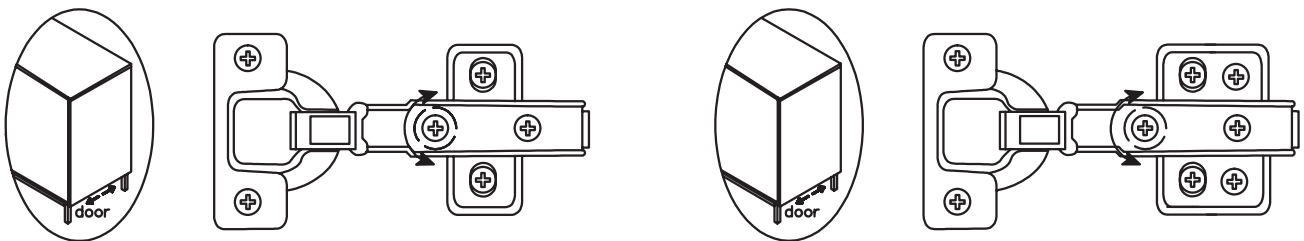
Then you've come to the right place. Follow the illustrations below to get your cabinet door aligned and ready for action.

If your door is too low or too high...



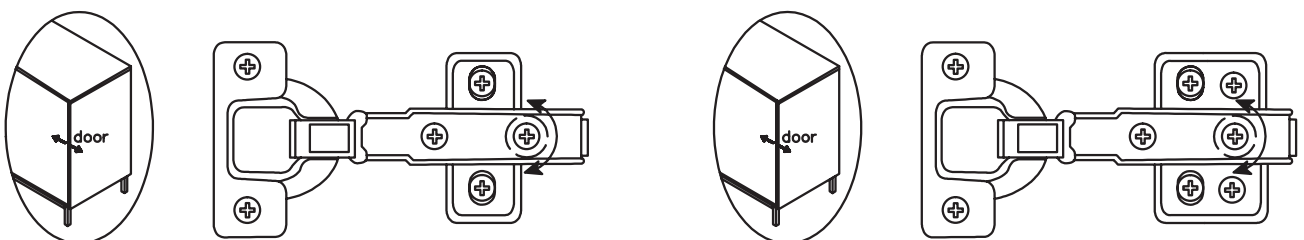
Loosen the height screws, then move the door up or down to make it level.

If the space between your doors is off...

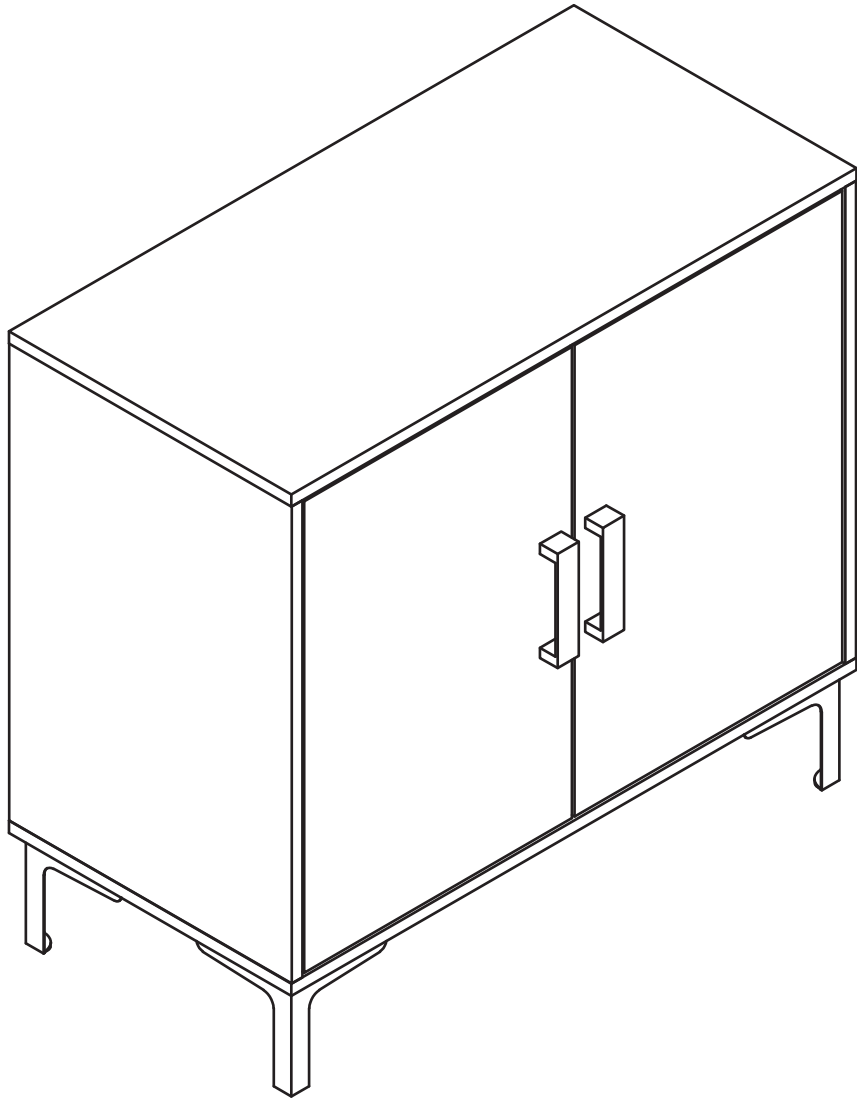


Loosen the side-to-side screws, then screw counter-clockwise to make the gap wider or clockwise to close any gaps.

If you need to adjust the depth of the doors...



Adjust the in-and-out screws until the door is aligned with the side of the cabinet.



Final Assembly