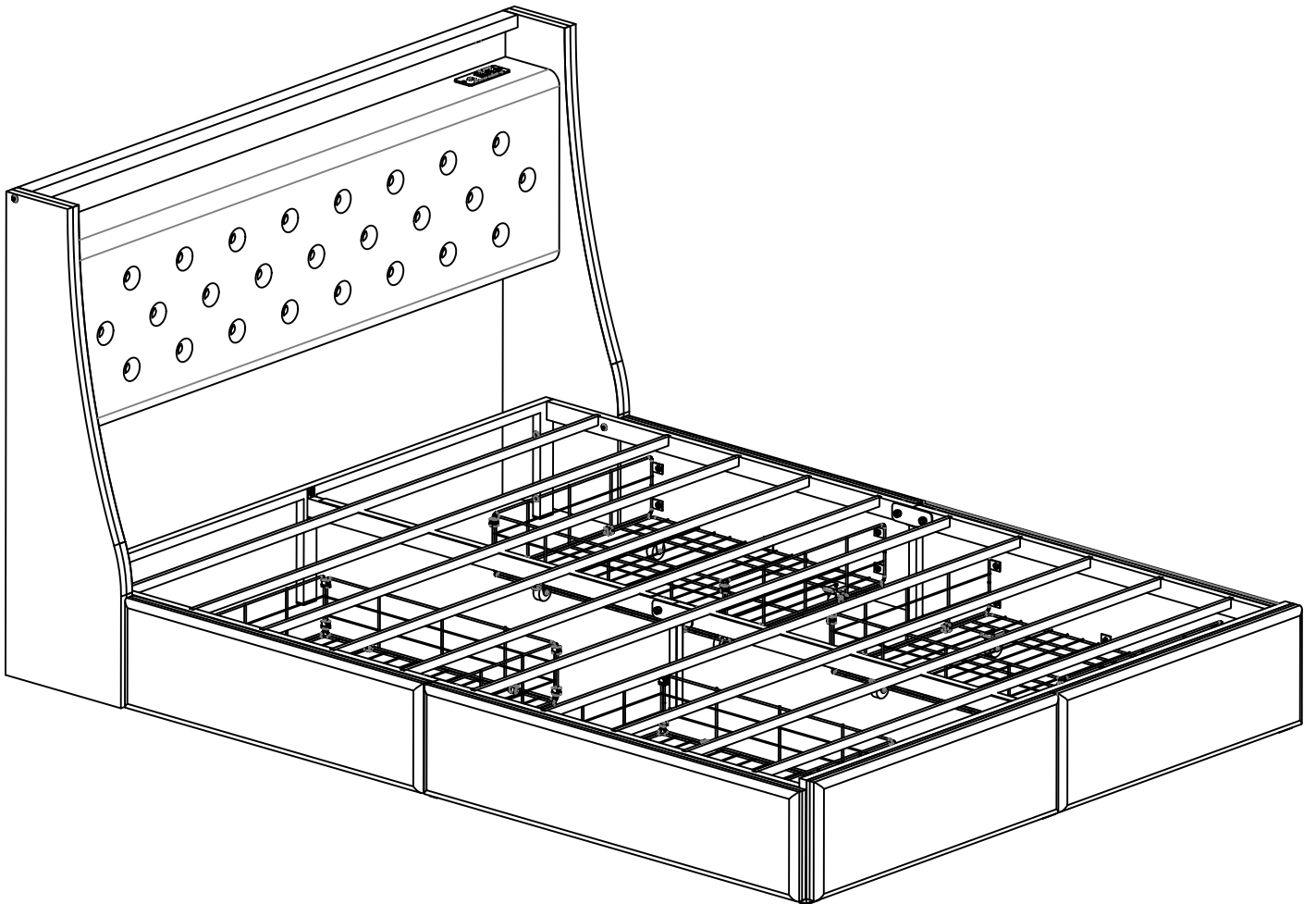
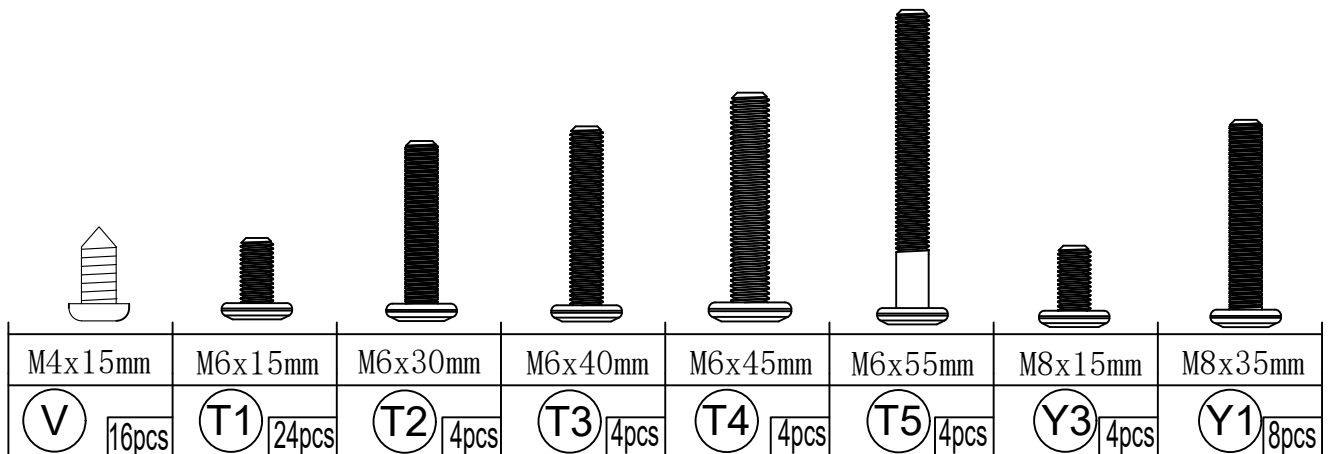
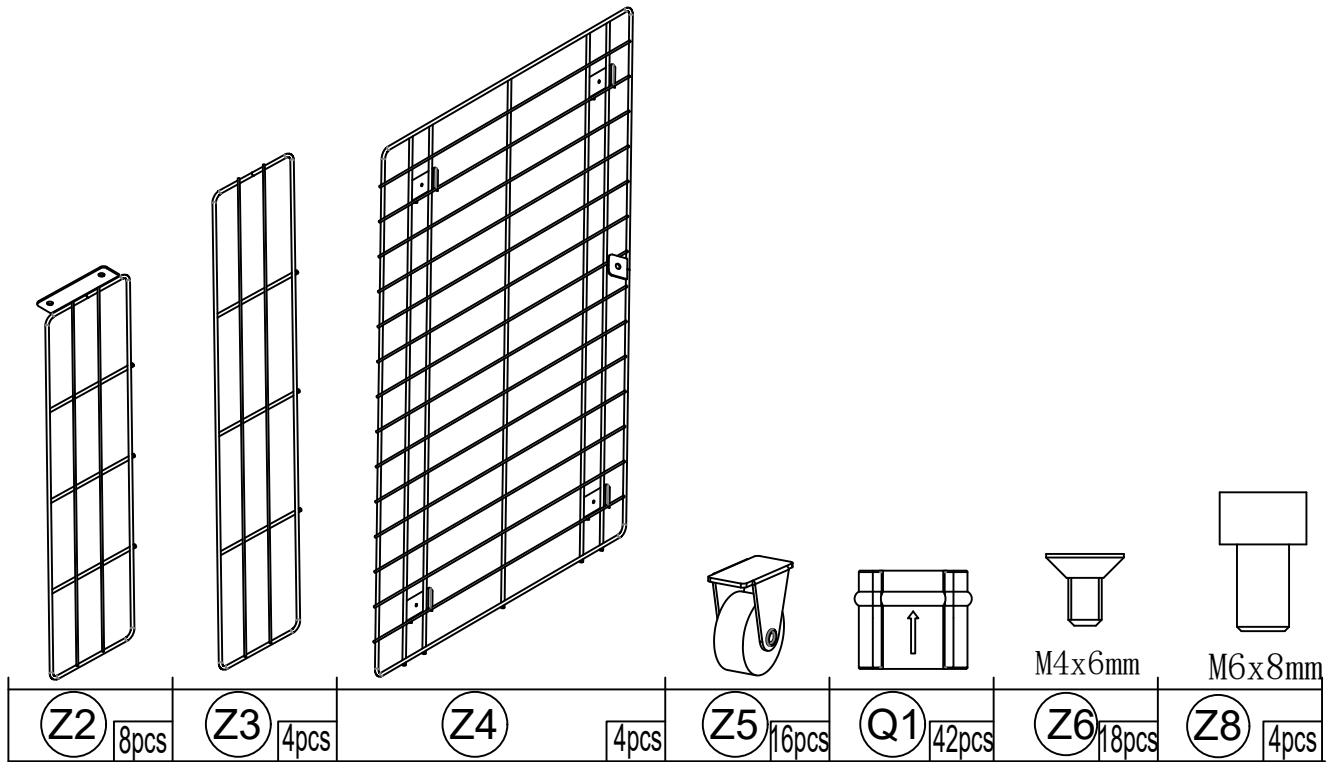
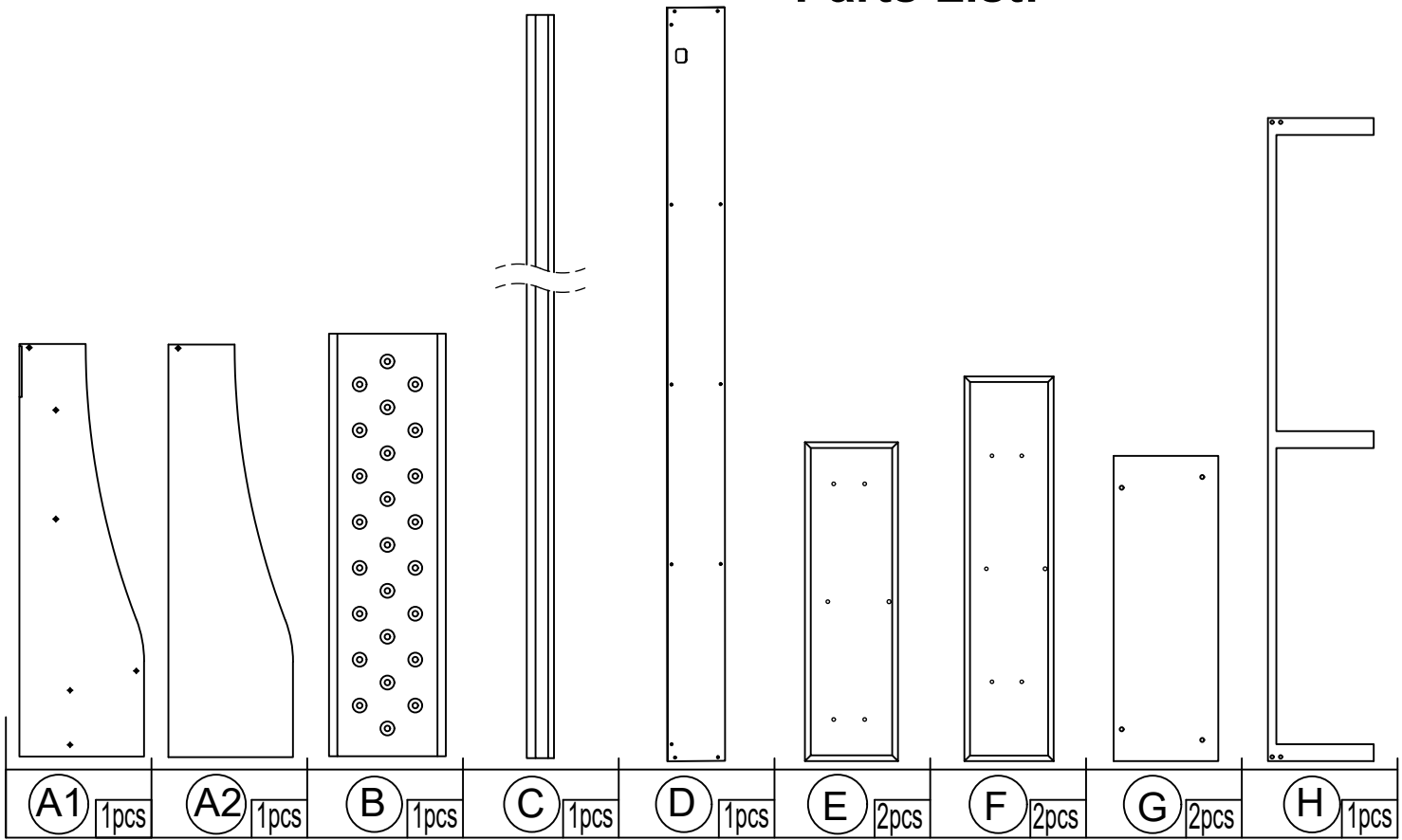


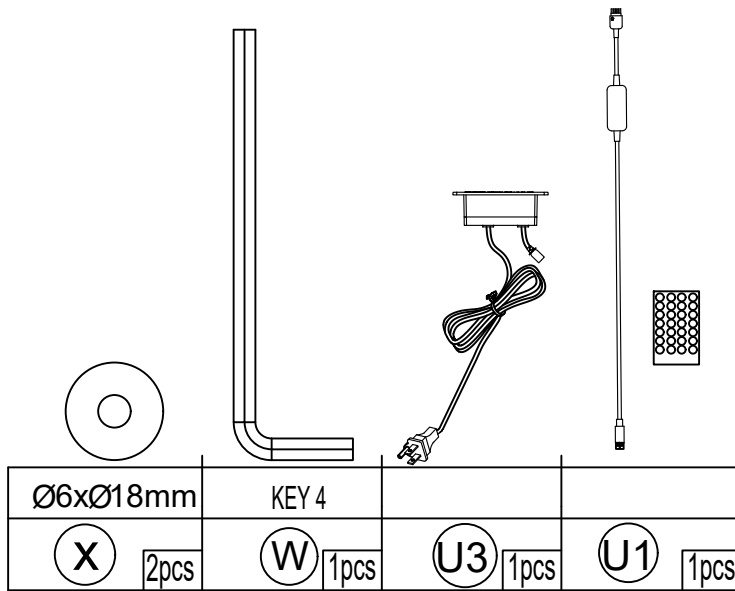
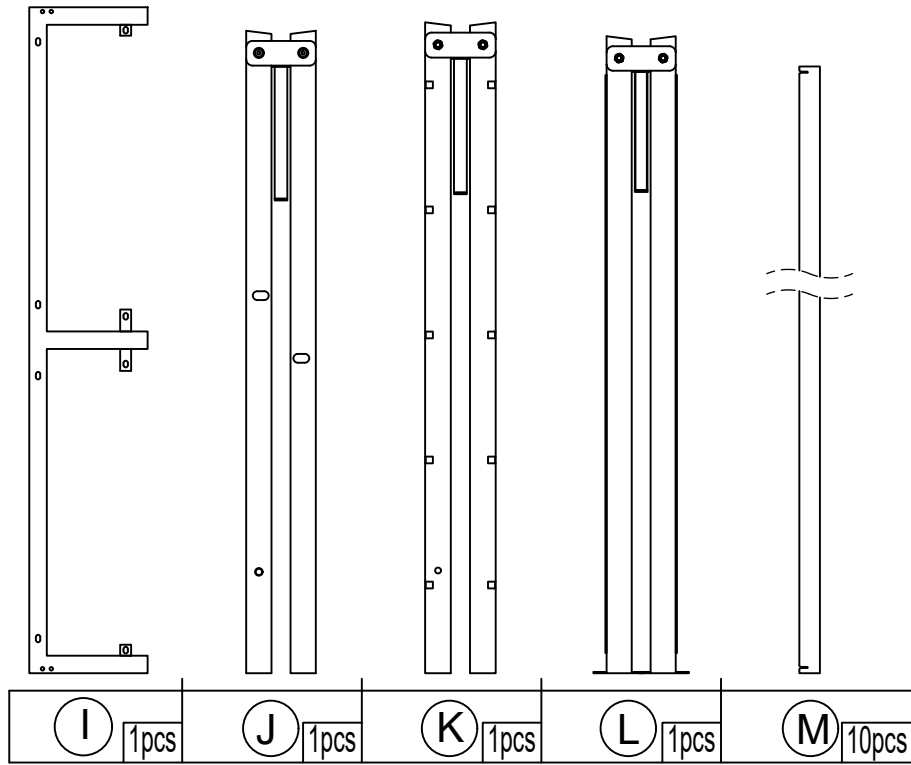
Installation & Assembly



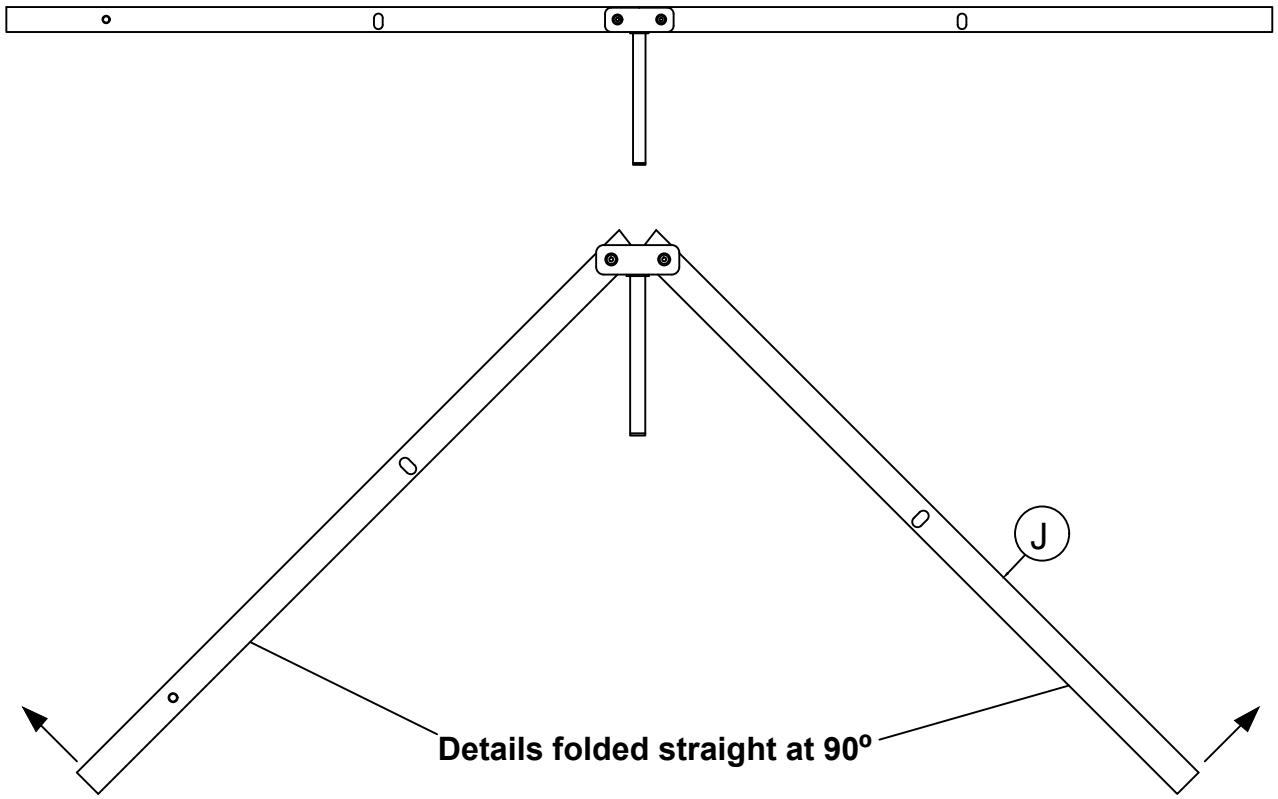
Parts List:



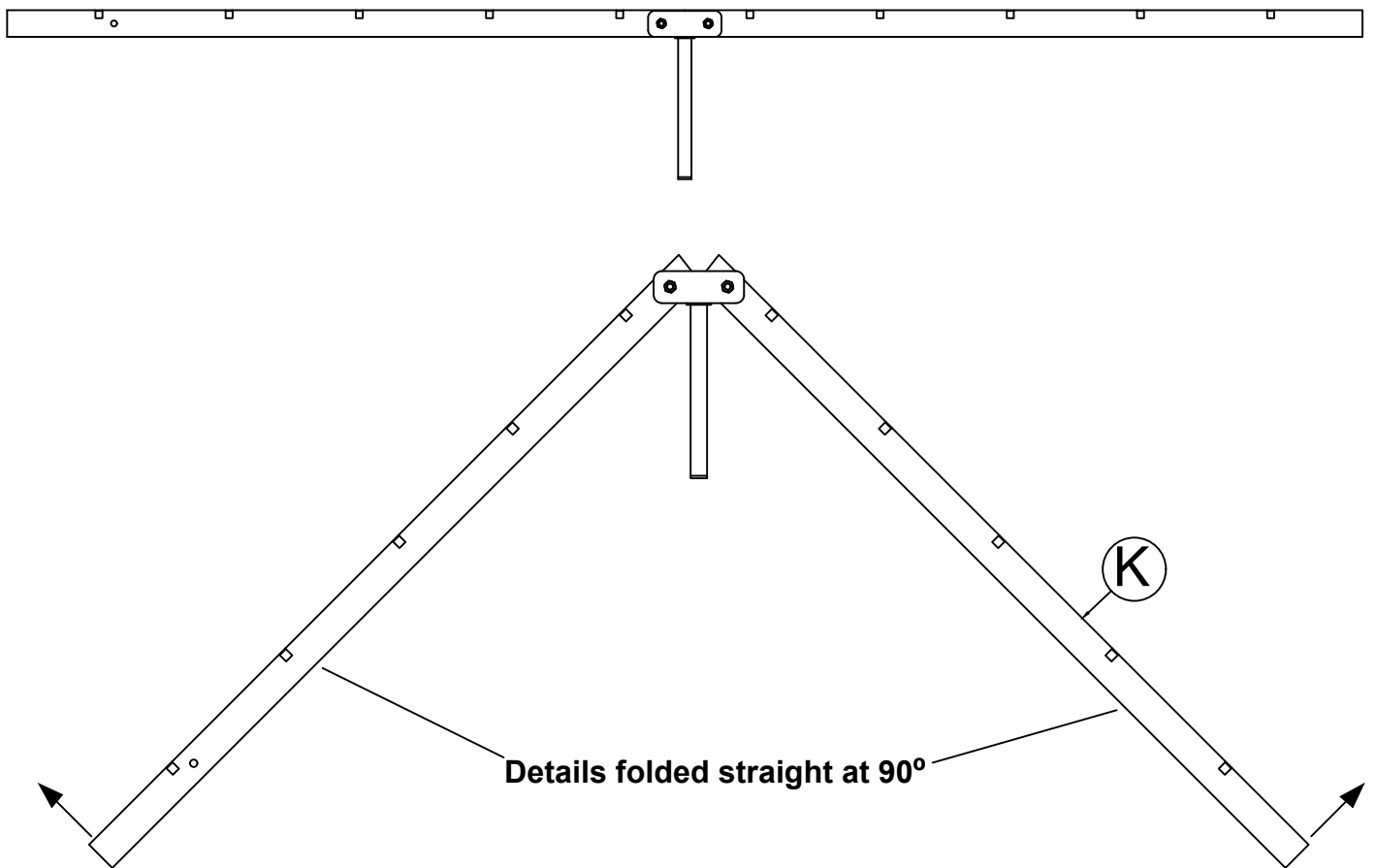
Parts List:



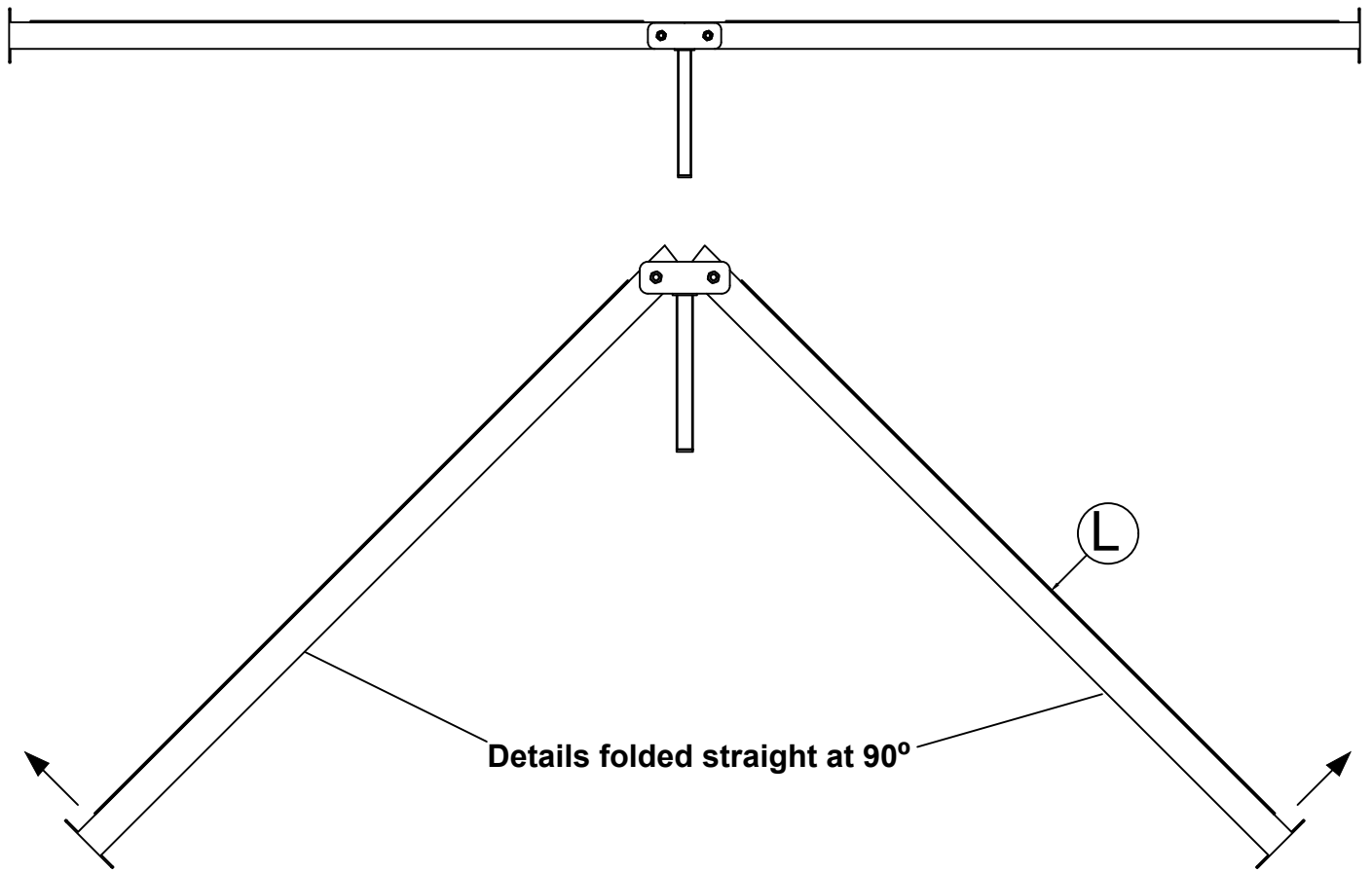
Step 1



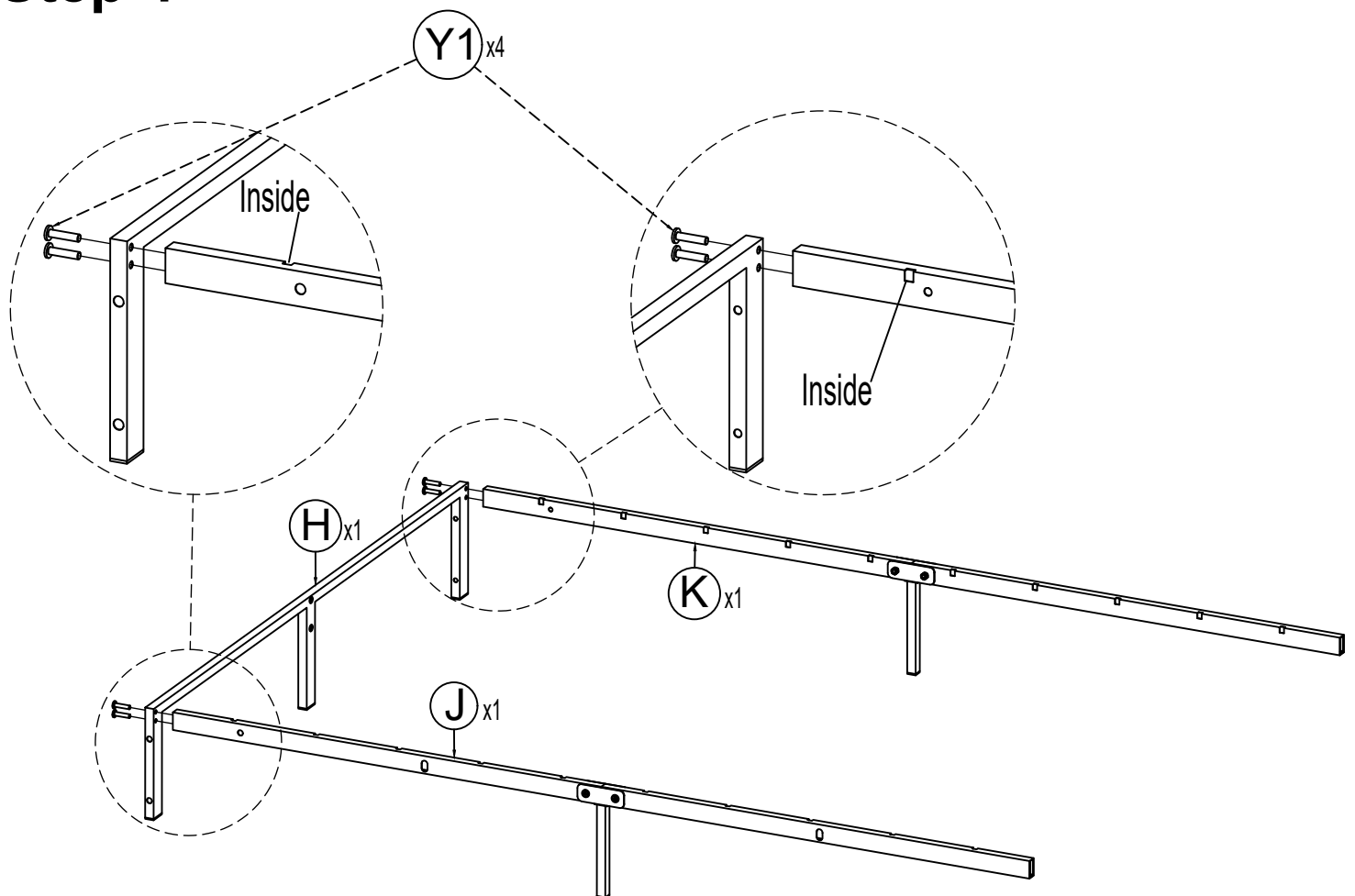
Step 2



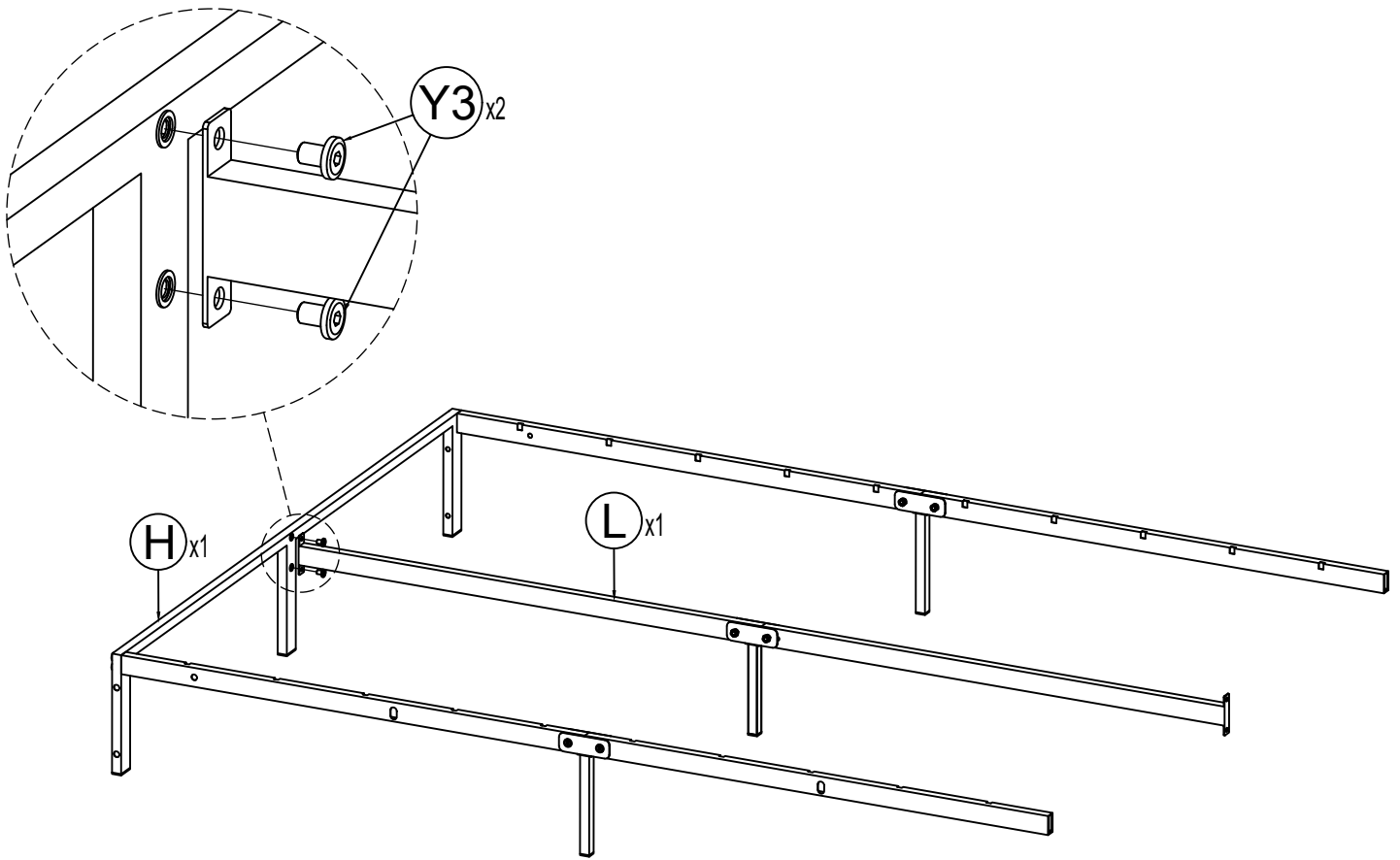
Step 3



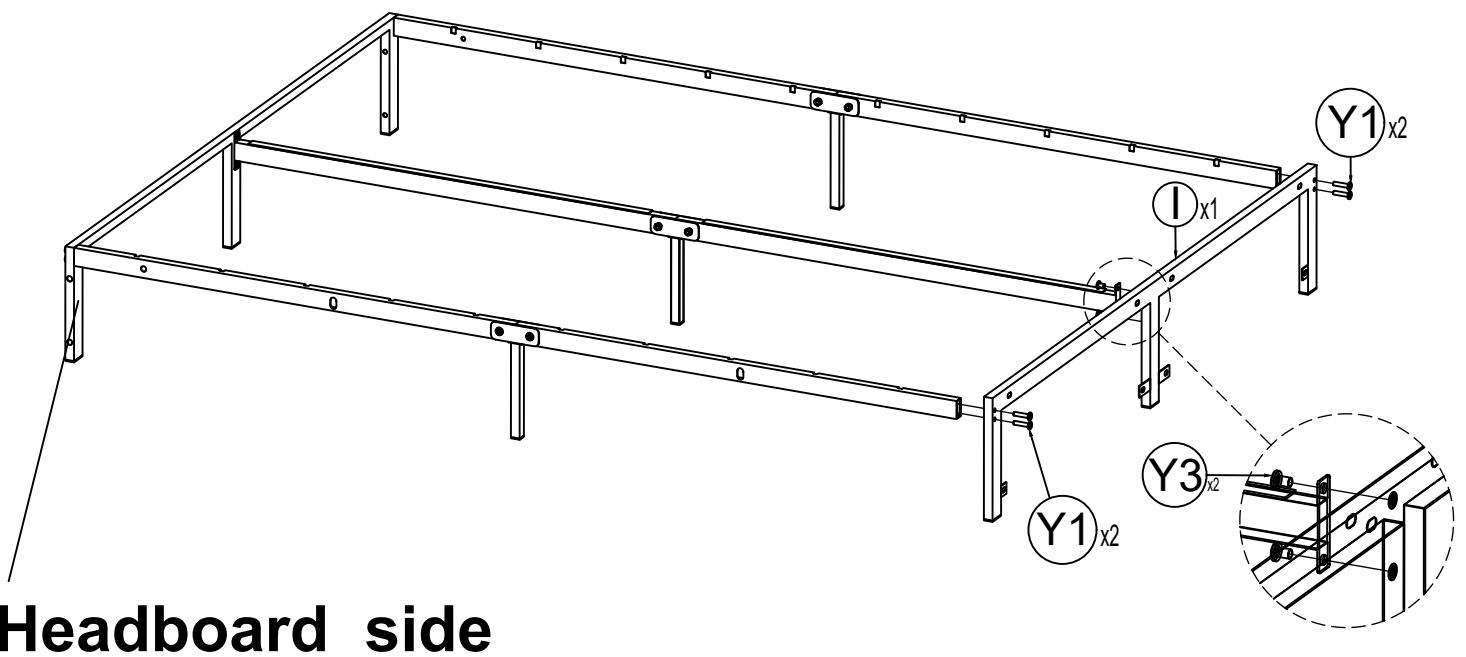
Step 4



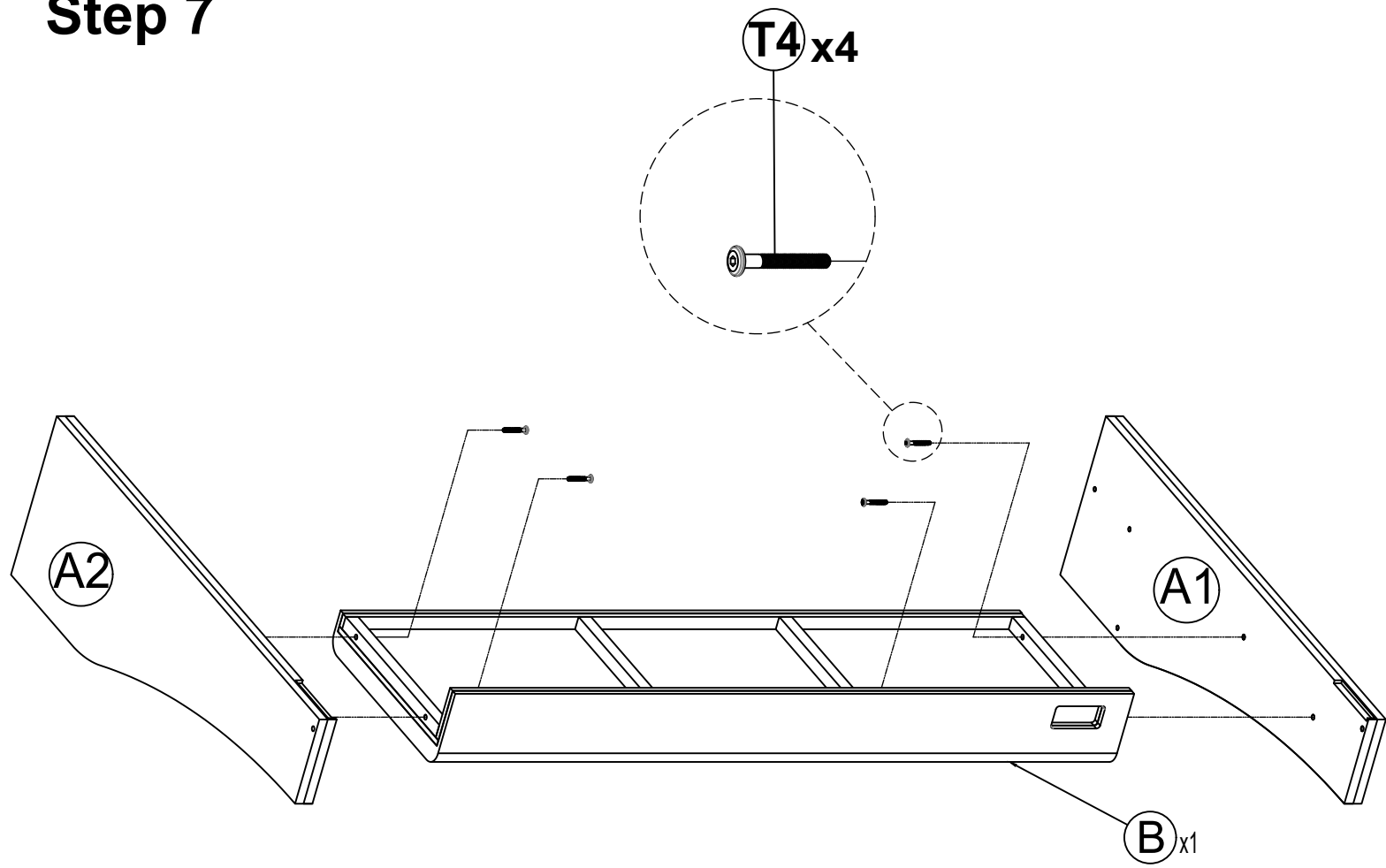
Step 5



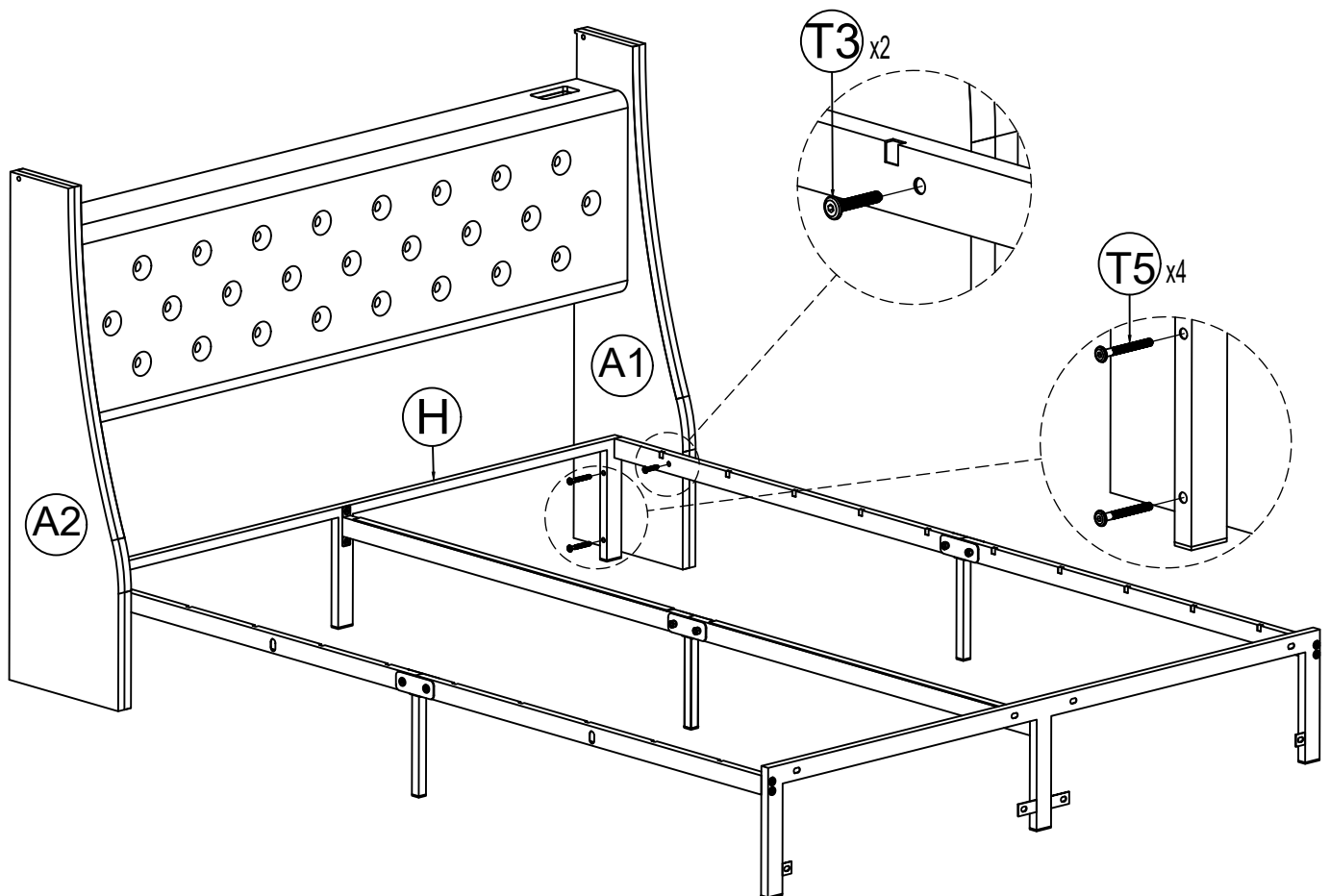
Step 6



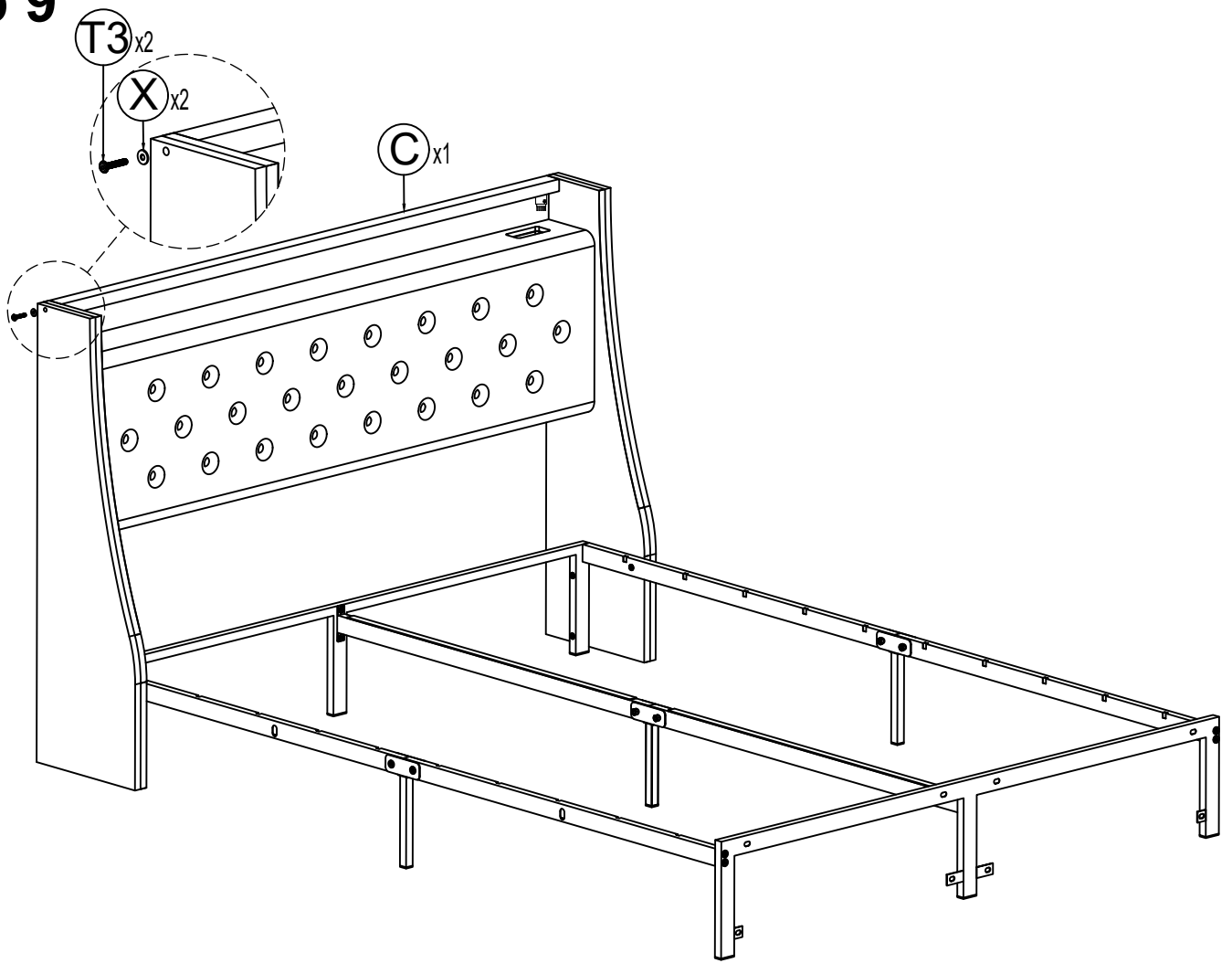
Step 7



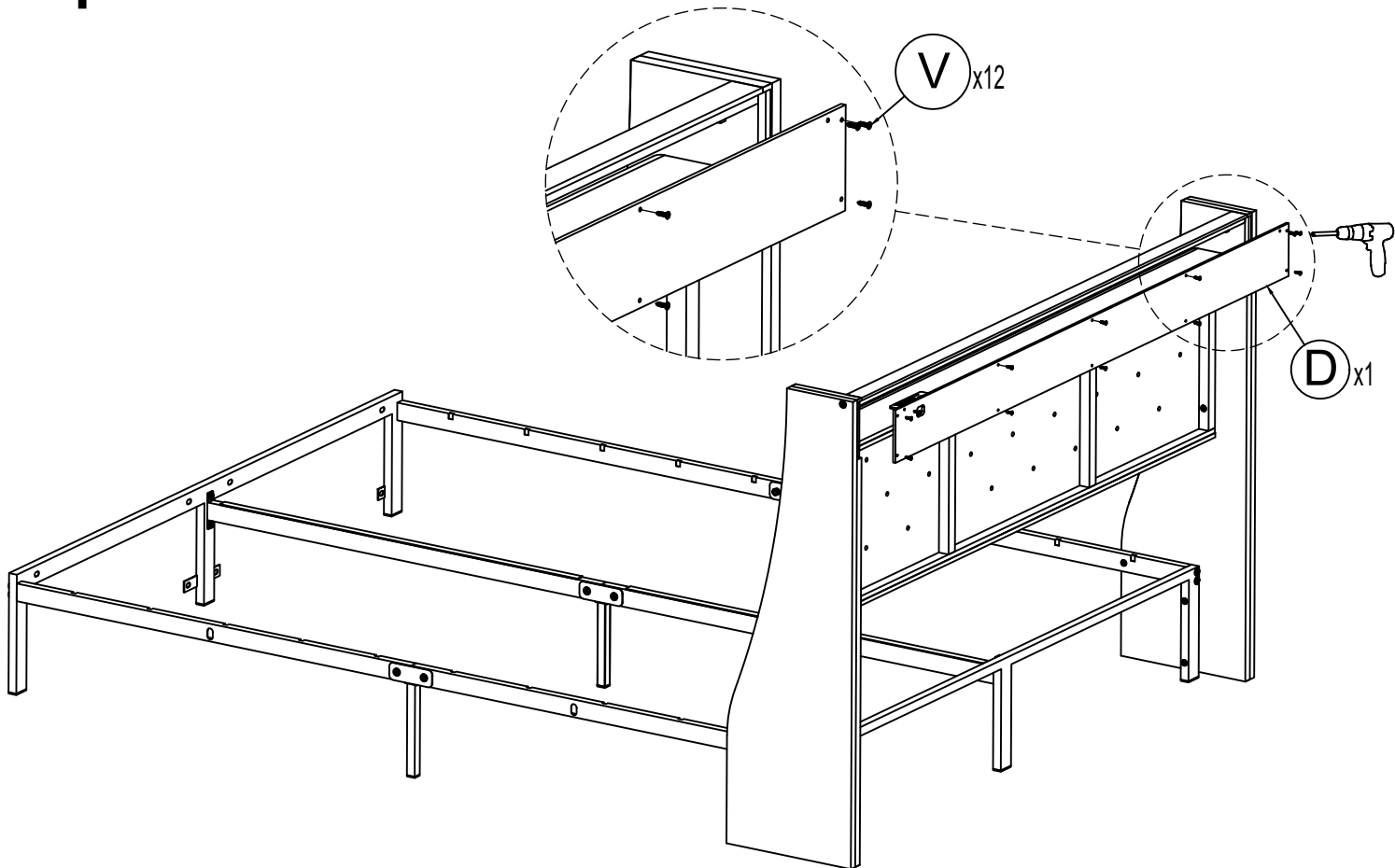
Step 8



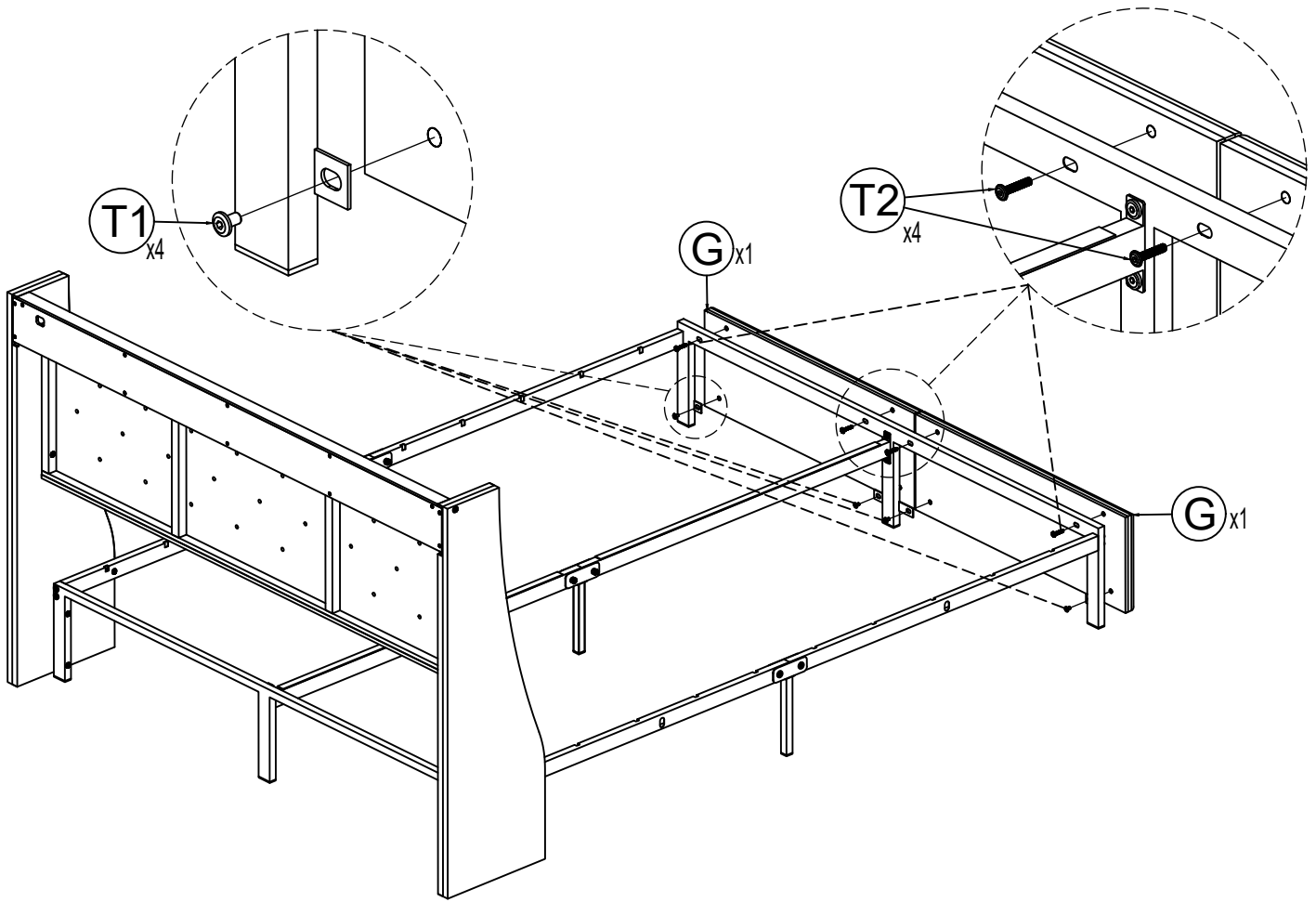
Step 9



Step 10

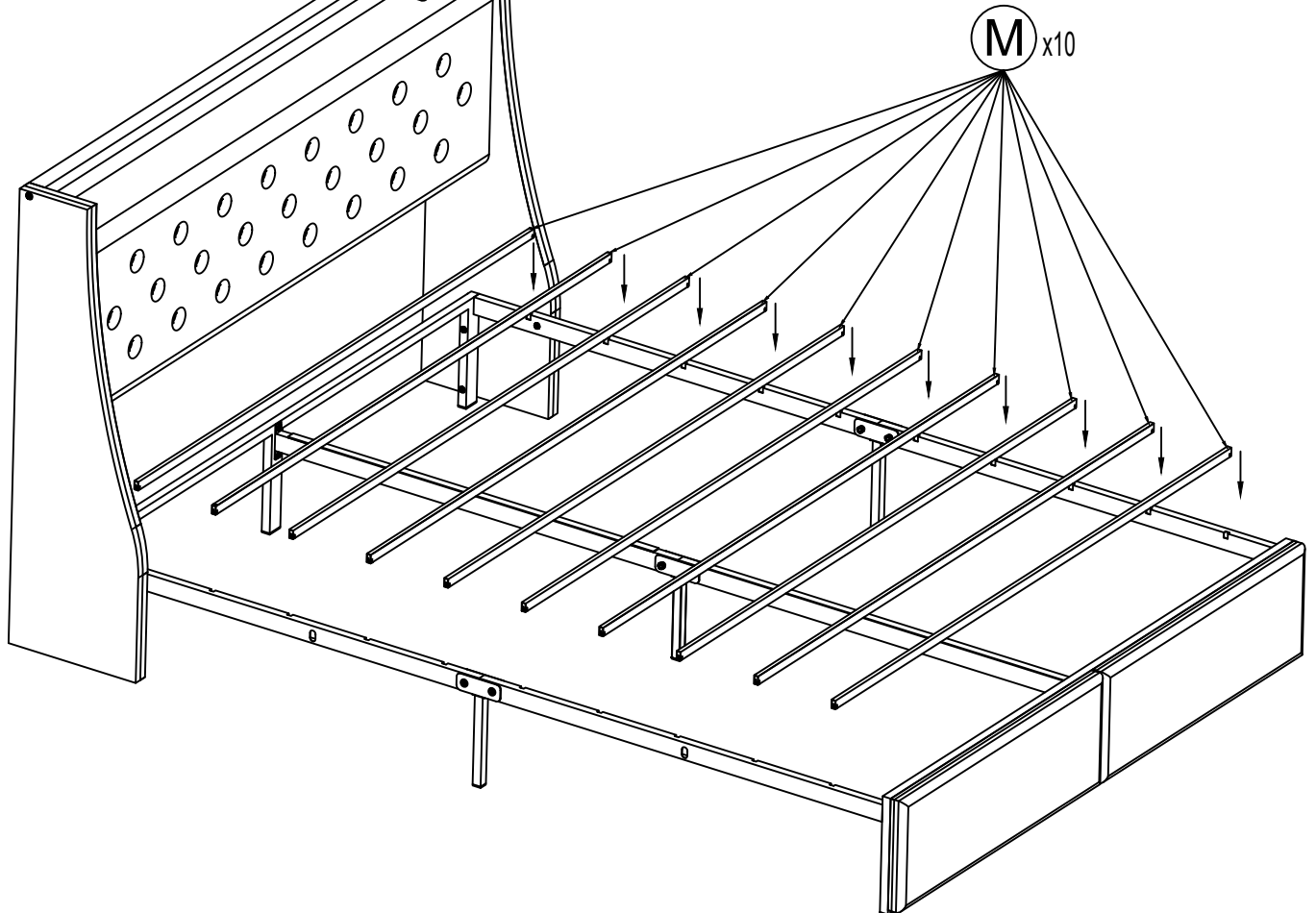


Step 11



Step 12

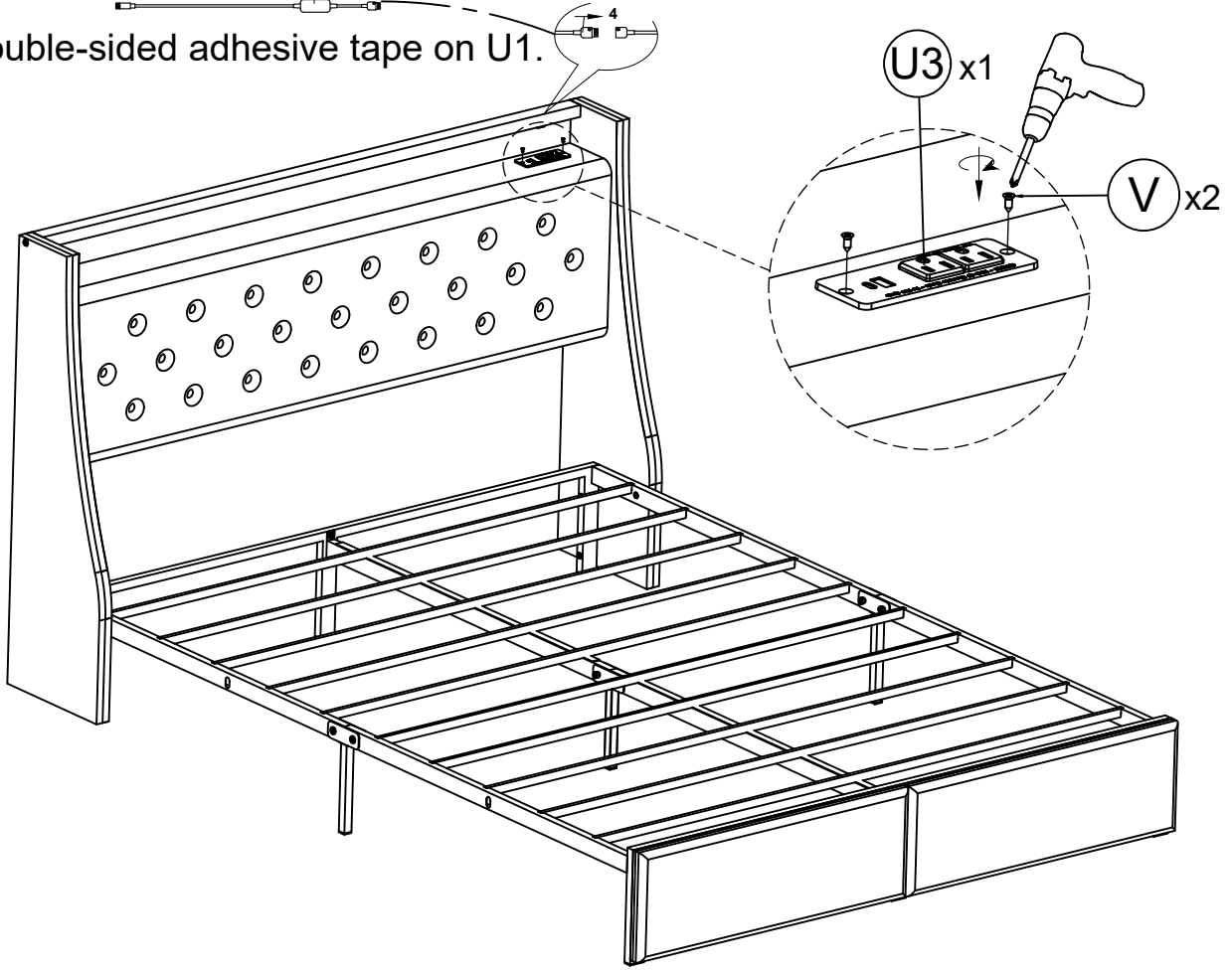
Tear off the double-sided adhesive tape before place the mattress.



Step 13

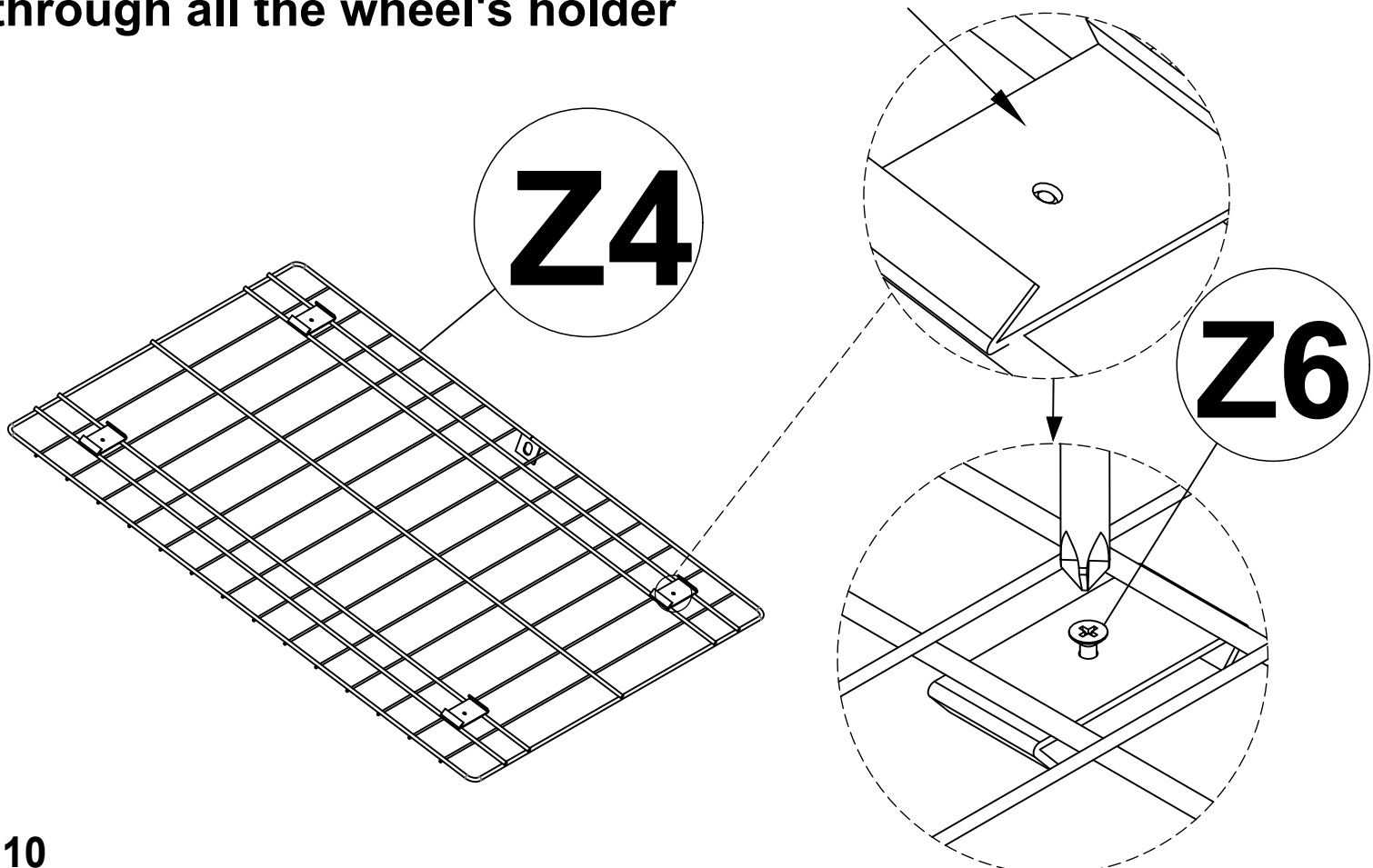
U1 x1

Tear off the double-sided adhesive tape on U1.



Step 14

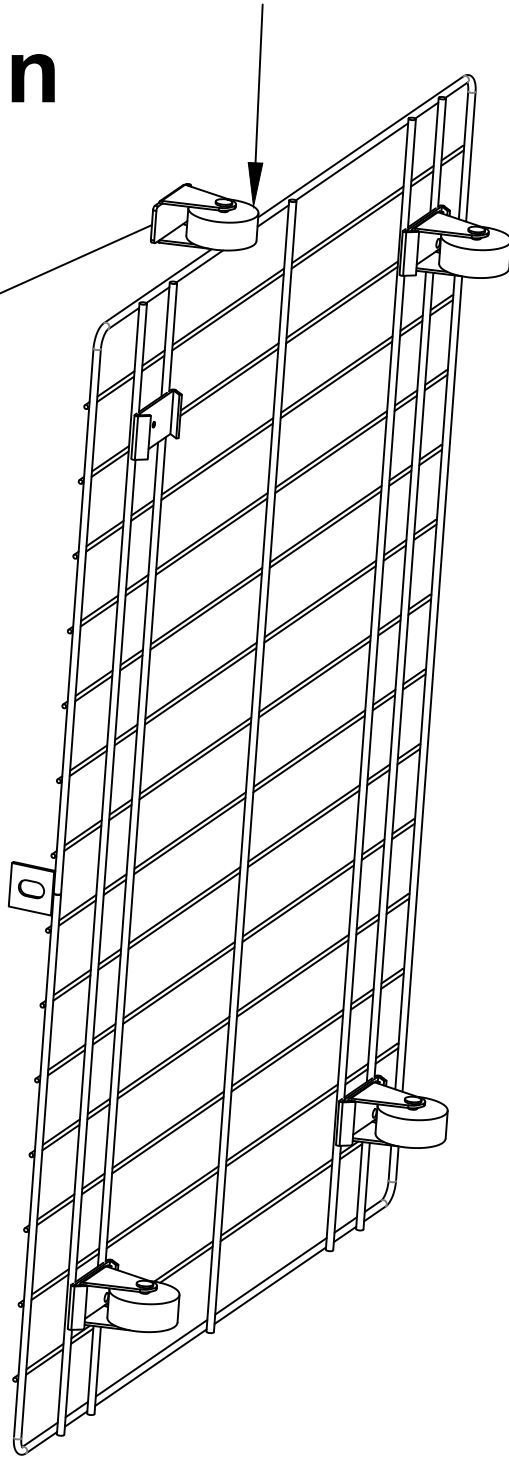
Put all the screw in but not tighten, don't let the screws get through all the wheel's holder



Step 15

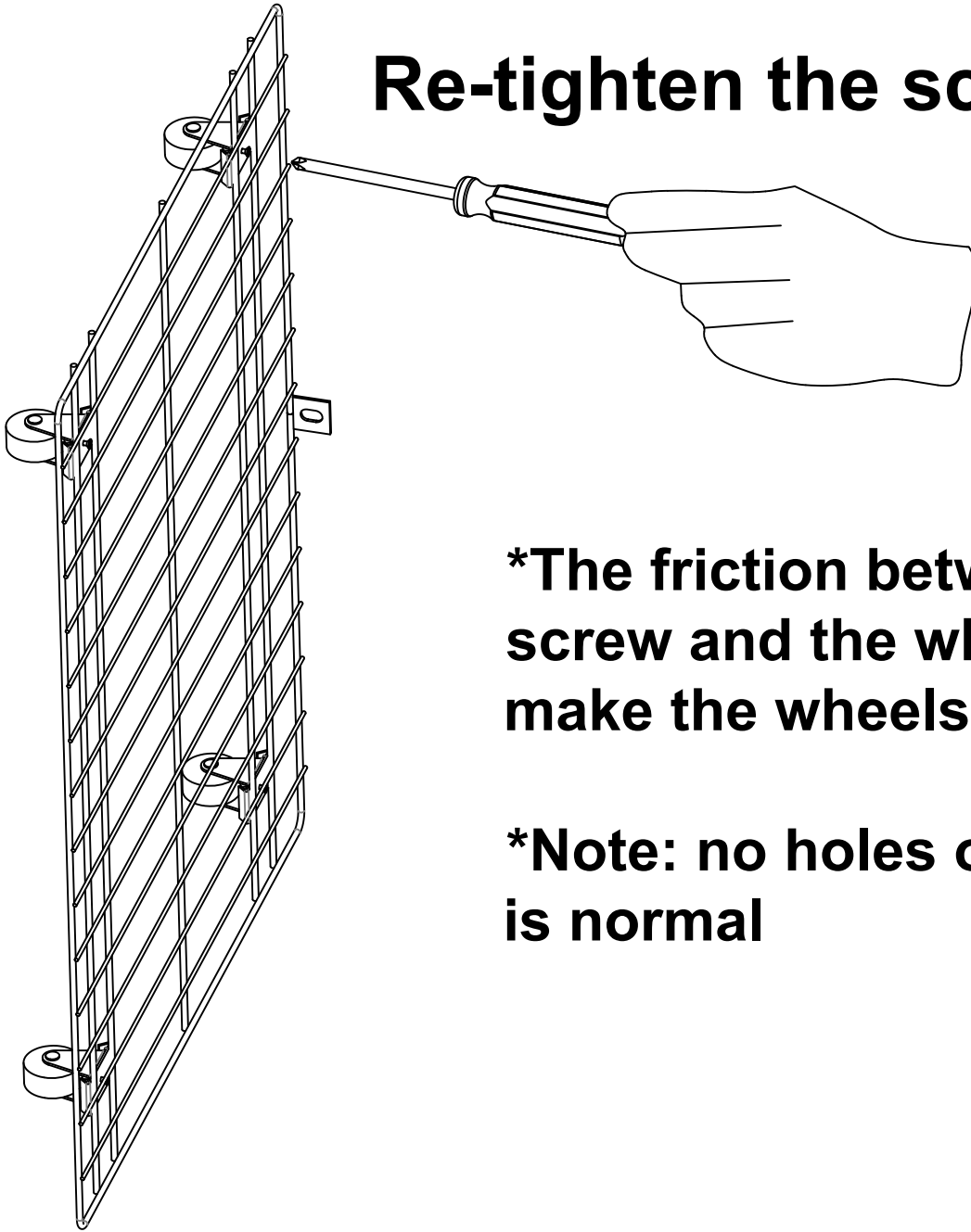
Slide in

Z5



Step 16

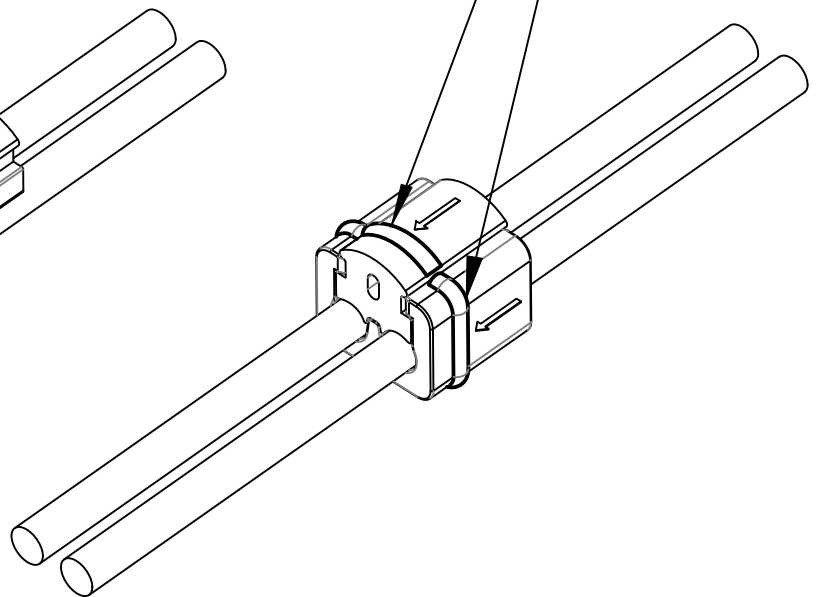
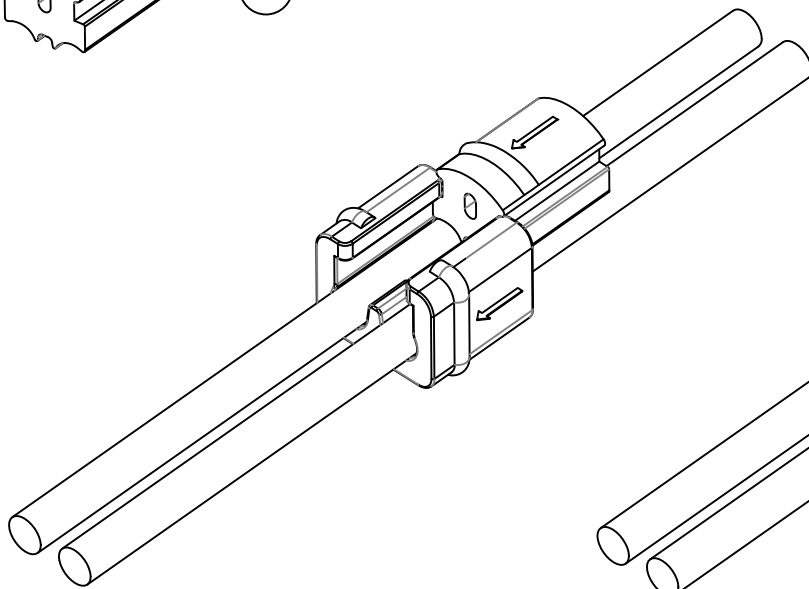
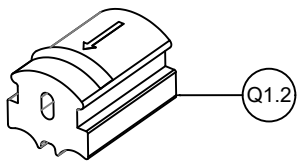
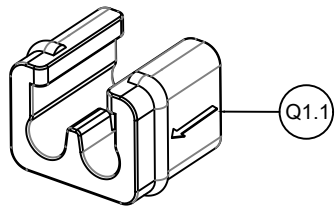
Re-tighten the screws



***The friction between the screw and the wheels will make the wheels can be holded**

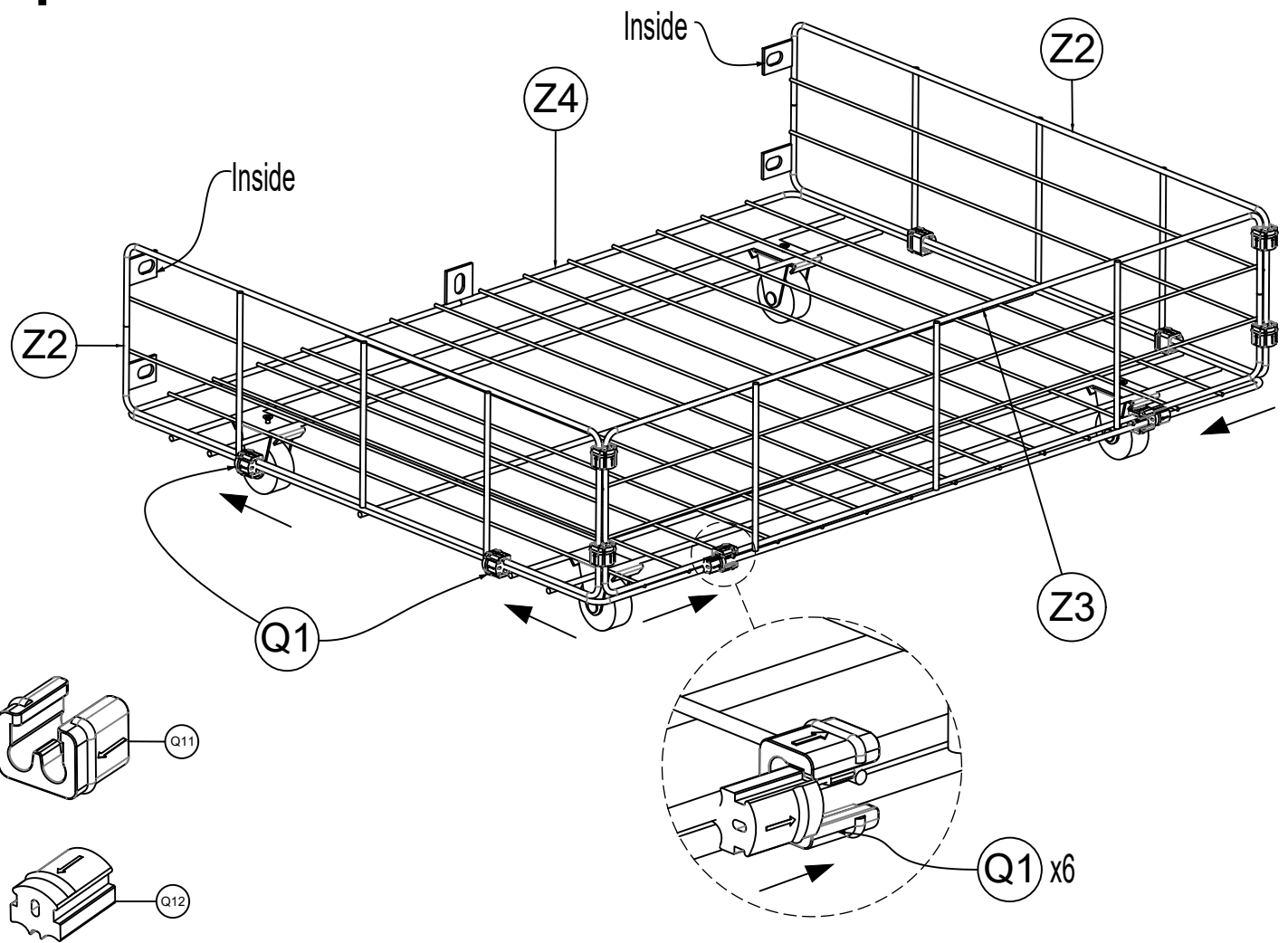
***Note: no holes on the wheels is normal**

Detailed assembly instructions Q1

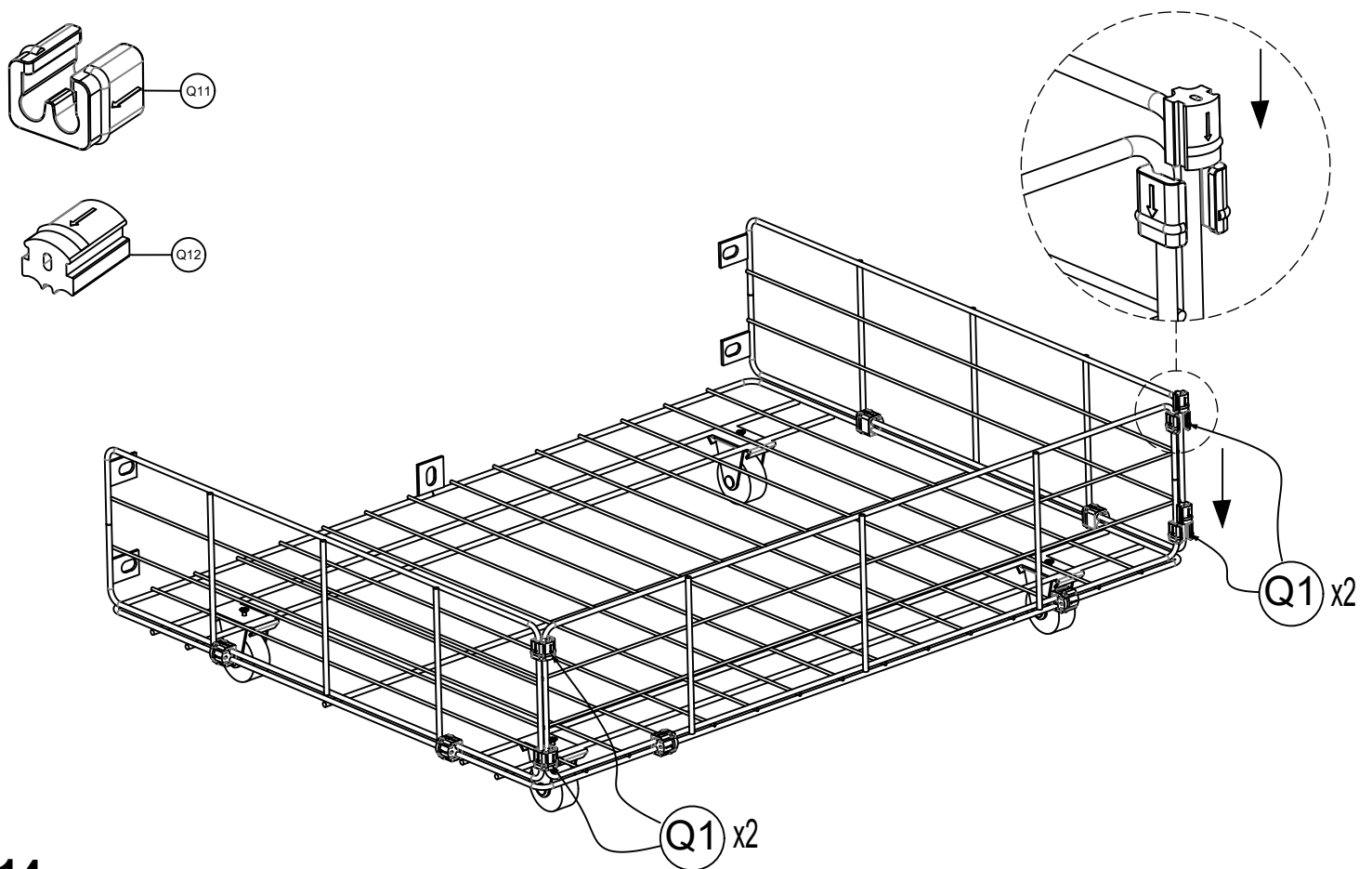


these two
lines on Q1.1
and Q1.2 need
to be matched

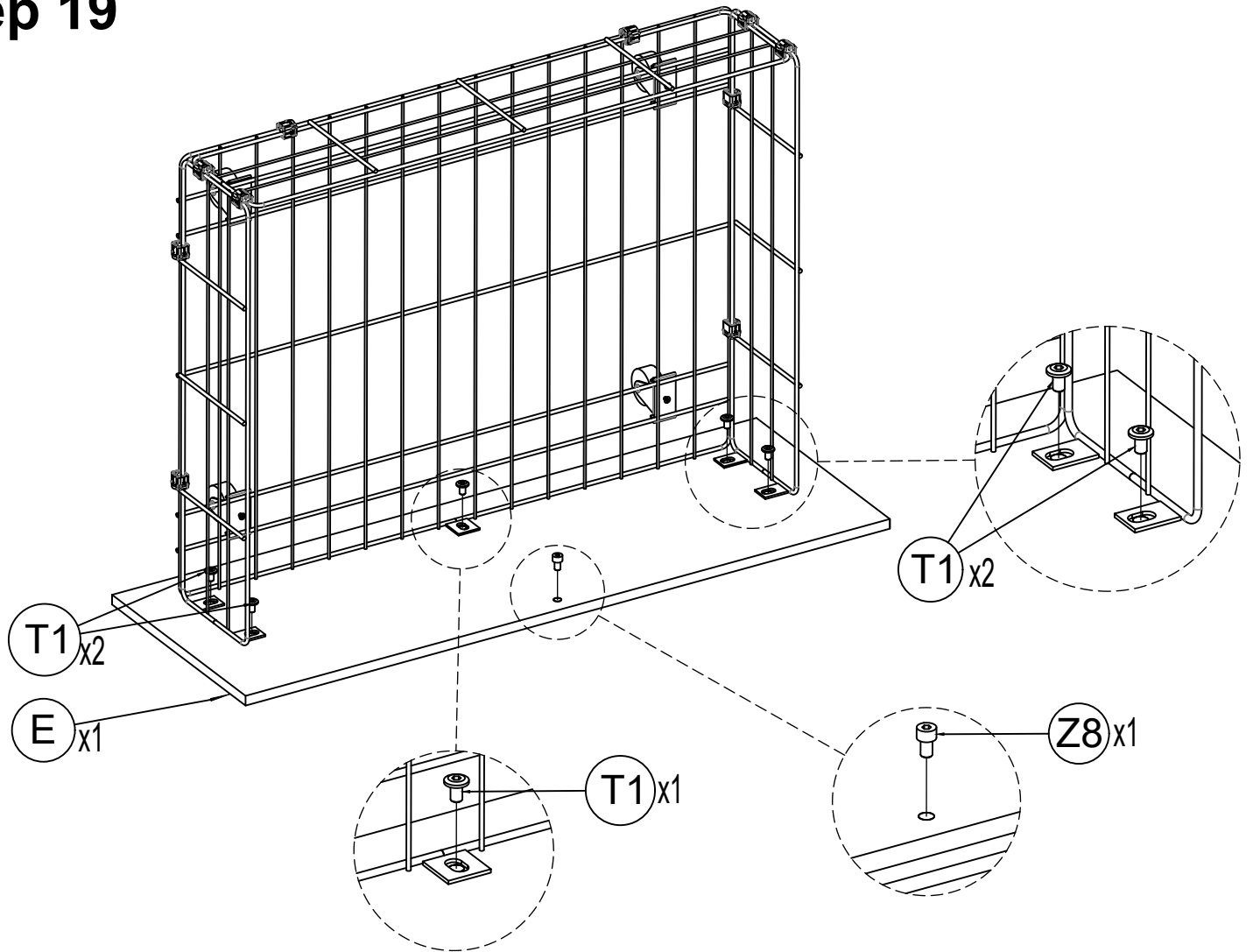
Step 17



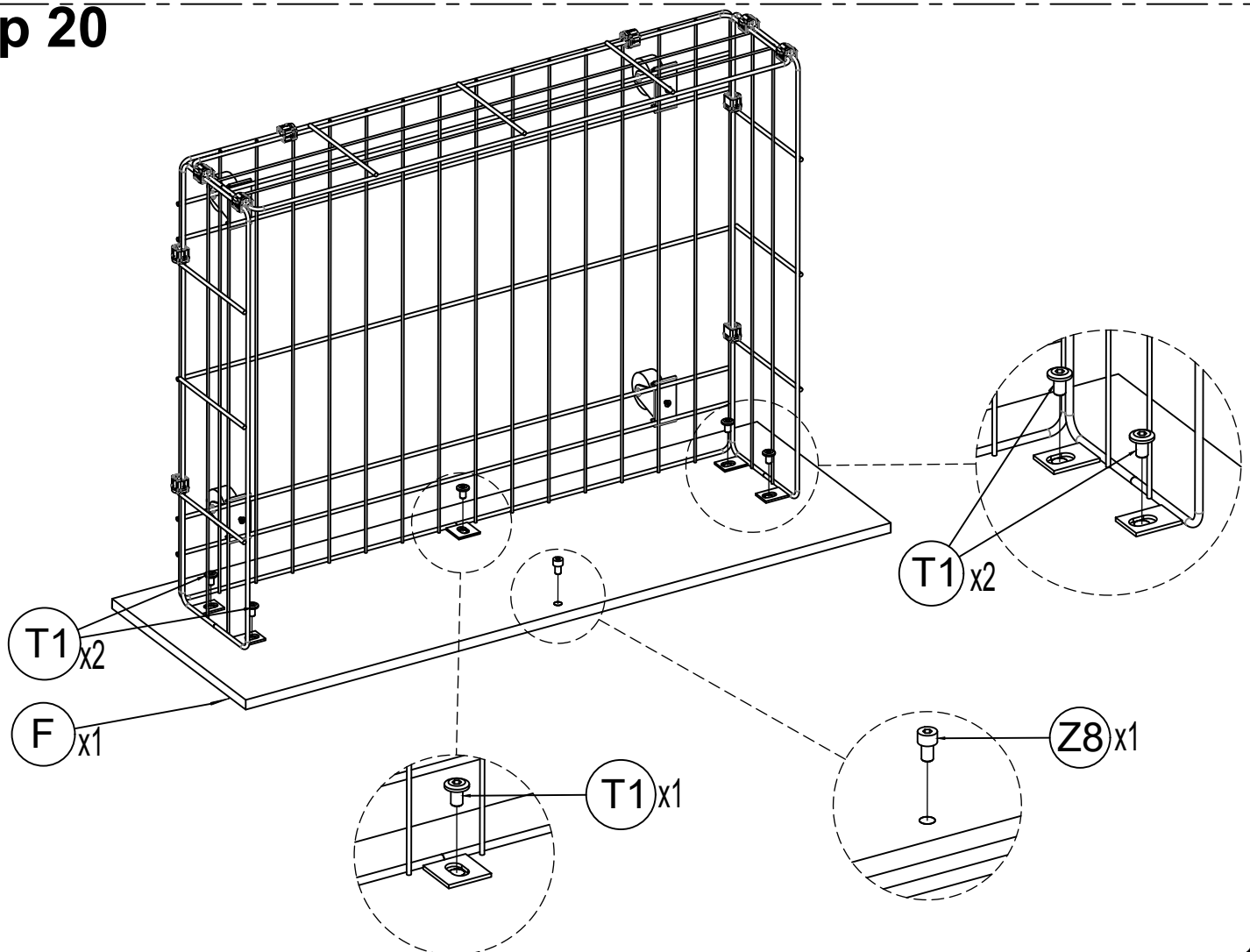
Step 18



Step 19

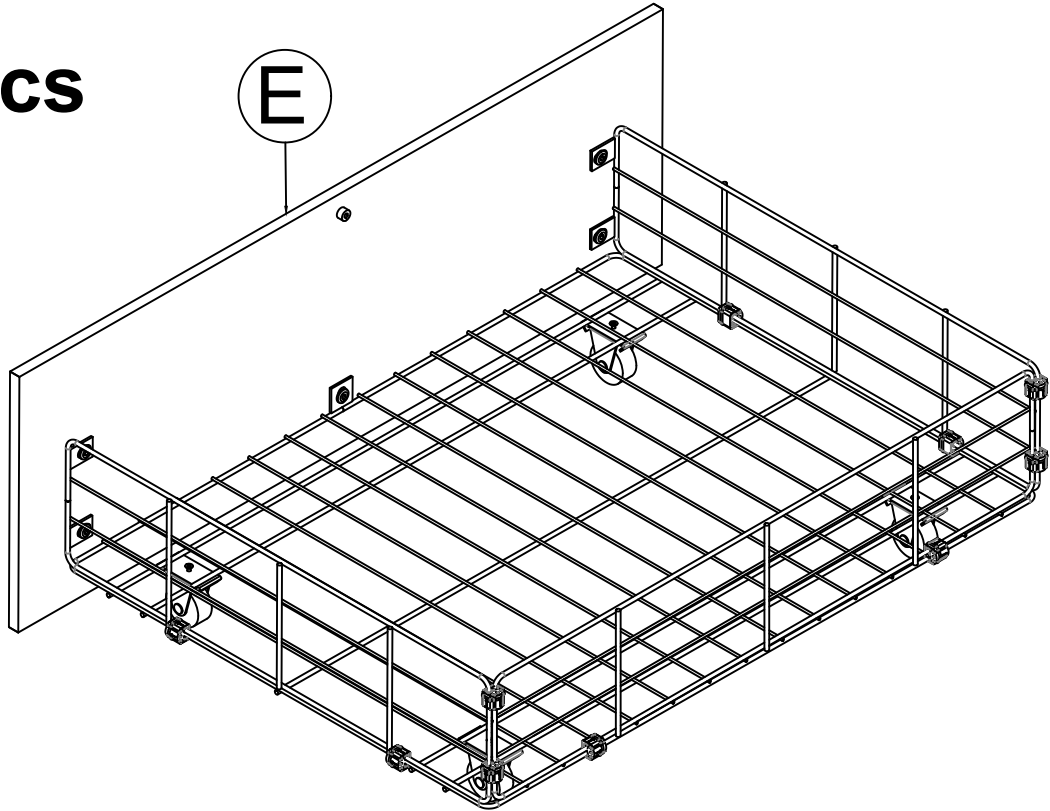


Step 20



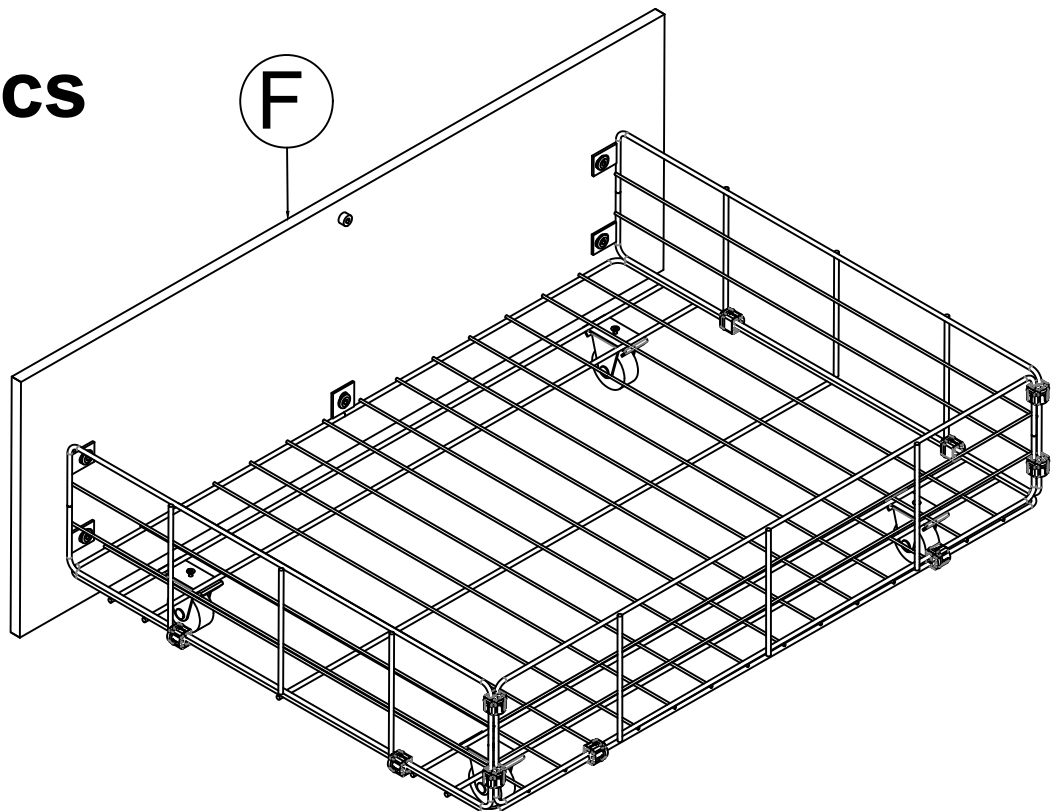
Step 21

2pcs

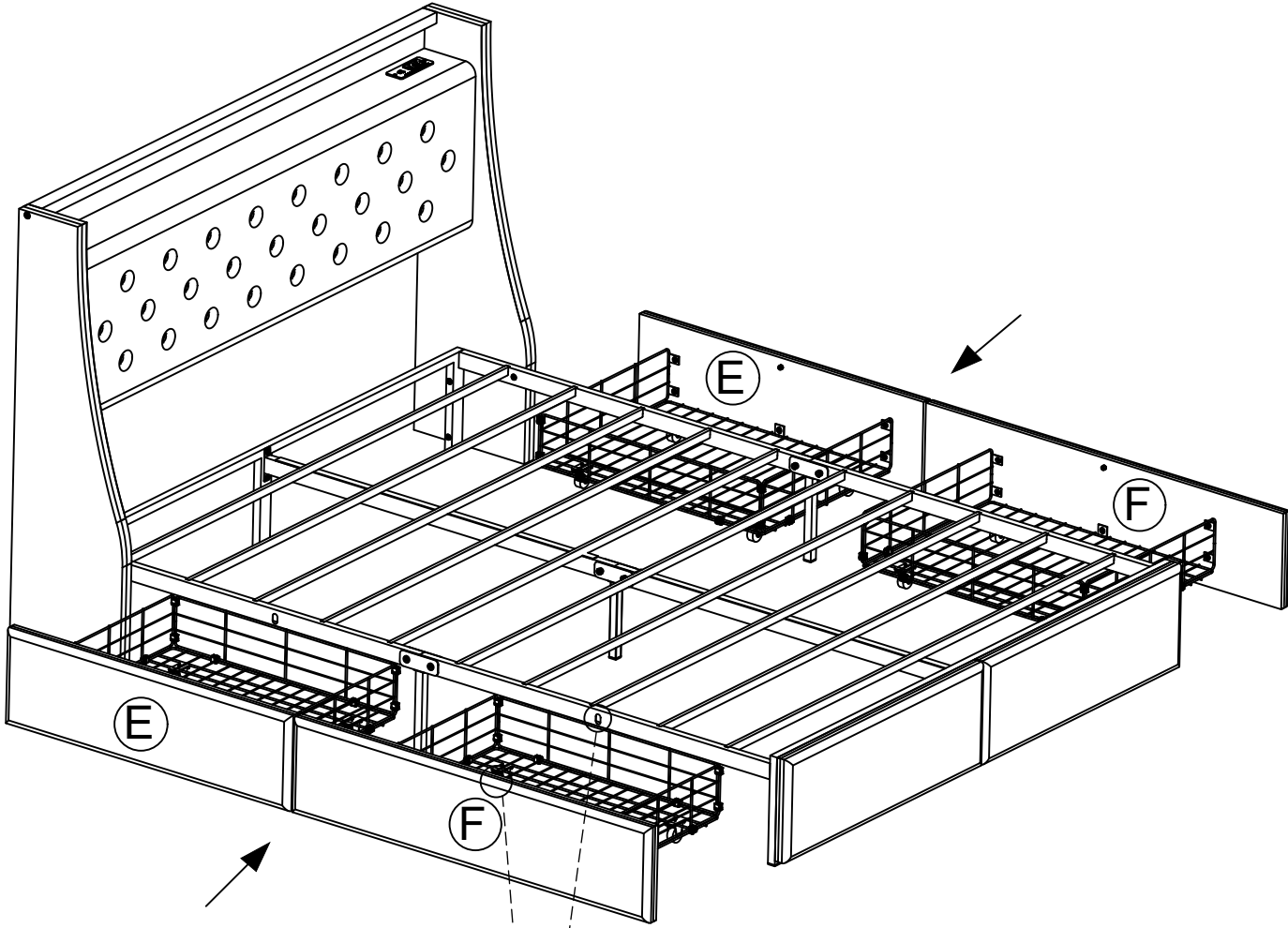


Step 22

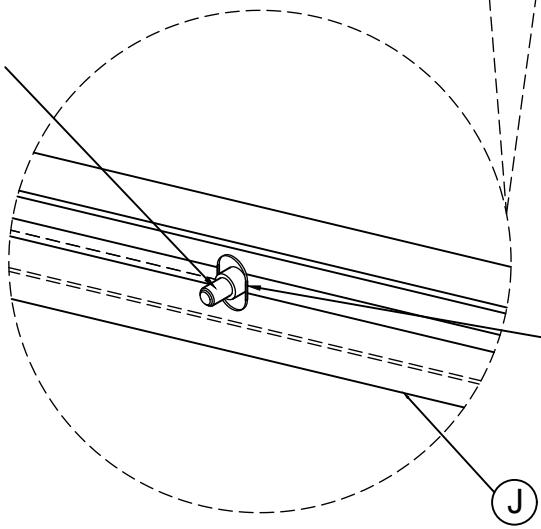
2pcs



Step 23



Located pin



The screw head is inserted into this hole to help the drawer can be in the fixed position.

REMOTE CONTROL

