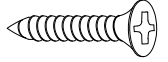
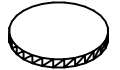
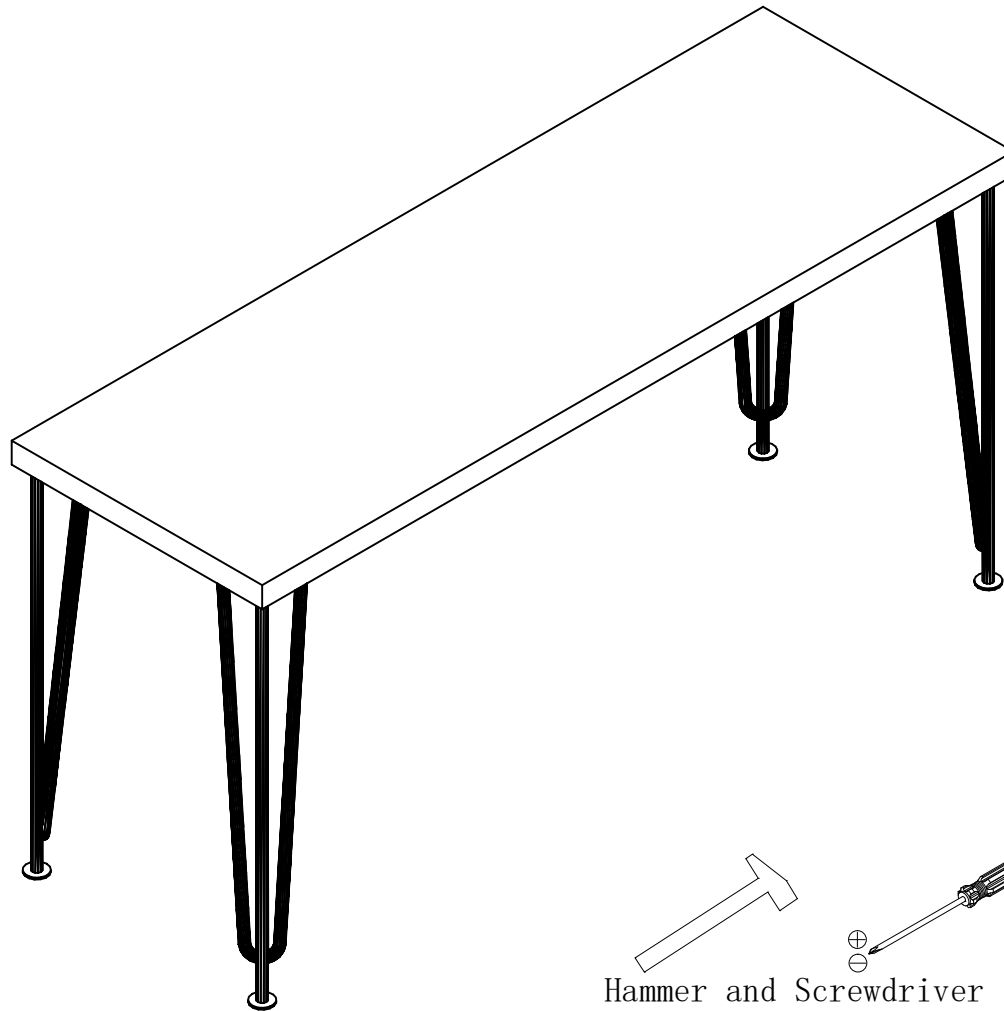
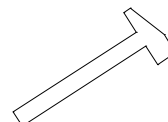

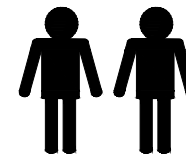


Assembly Instruction

NO.	QTY.	LINEDRAWING
(A)	16	 3.5x20
(B)	16	

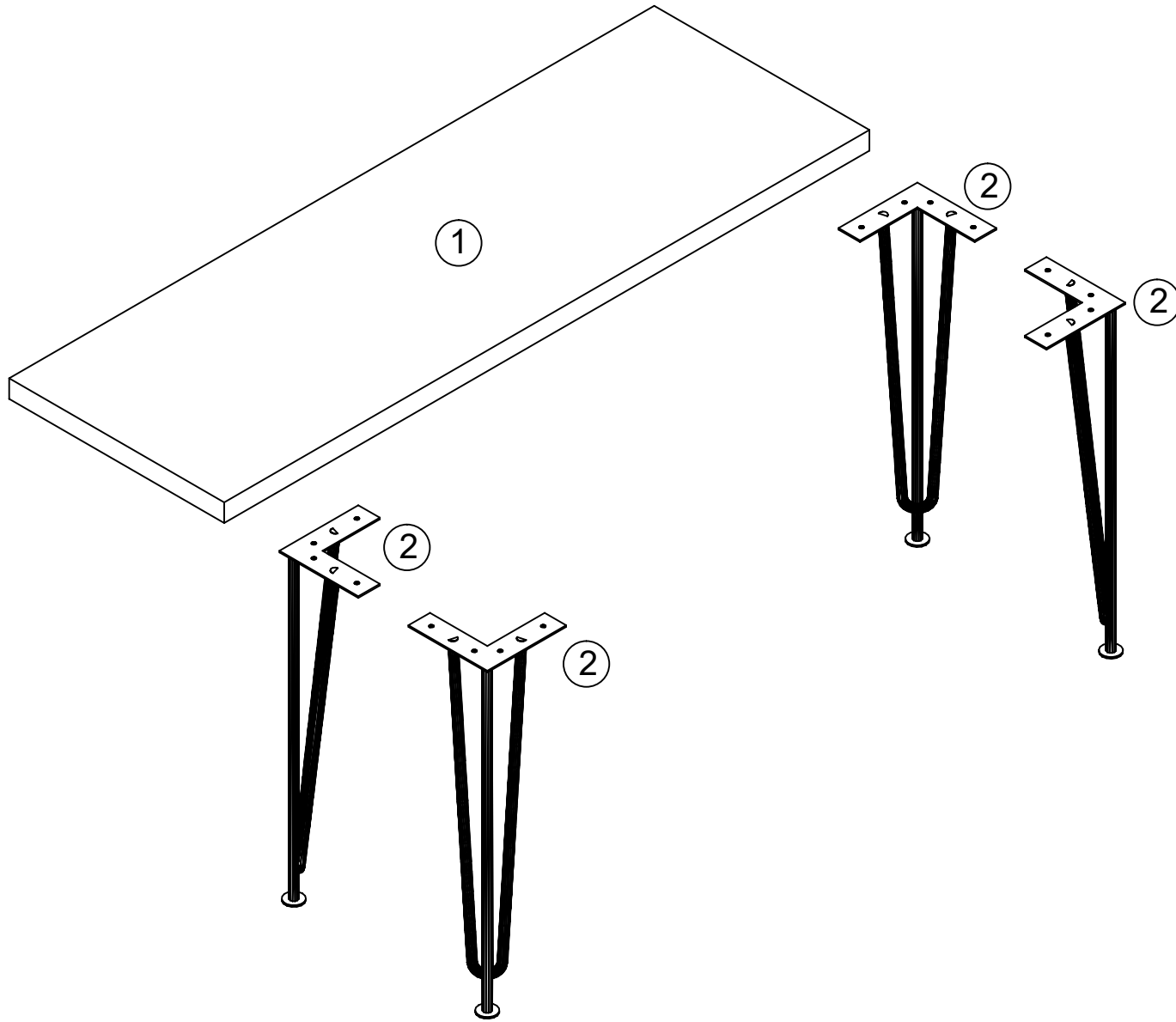


 
Hammer and Screwdriver
are not included !!

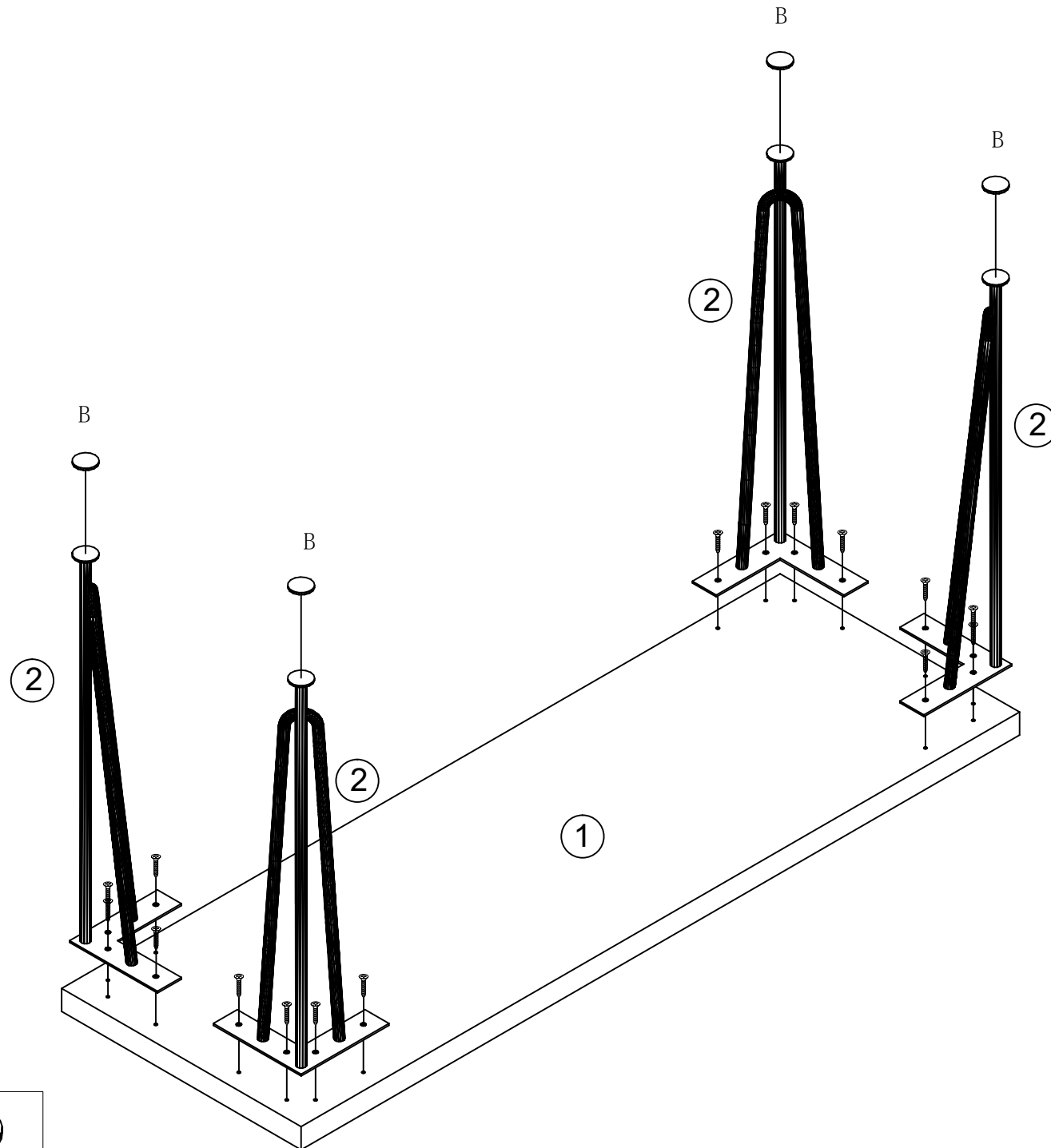




PARTS LIST

NO.	QTY.
①	1
②	4



1



A 	B 
16x	4x

2

