

Description: DINING TABLE

Product size : 42" x 72"x 90" x 108" x 30.5"H W/Two 18" Leaves

Your furniture purchase is an investment. Here are a few tips to maximize the lifetime of your furniture with a minimum amount of effort. Properly caring for your furniture can help ensure that it looks great year after year.

Wood Furniture Maintenance:

- Always dust, wipe, and clean *with* the grain of the wood.
- Dust with a soft cloth. Dust will scratch the furniture surface if not removed properly.
- Use the same type of polish consistently as interchanging oil-based and wax-based polishes will cause a build-up and result in a foggy or cloudy appearance.
- If a polished surface becomes foggy, rub it with a cloth dipped in a solution of one tablespoon vinegar to one quart of water. Rub softly with the grain until the surface is completely dry.
- Soap and water are not advisable for wood surfaces. Water can penetrate the finish and raise the grain on wood, causing damage.
- Remember to change dusting cloths frequently as dirty cloths may scratch your furniture's surface.

The Enemies of Wood:

- Moisture is wood's worst enemy. Liquid spills should be gently wiped up immediately. Coasters should be used under all beverages.
- Do not allow rubber or vinyl materials to lie on the furniture. Chemicals in rubber may leave a stain. Put a strip of felt or leather under accessories that have rubber or vinyl.
- Heat creates a chemical change in the furniture's finish, which results in a white spot. Use protective pads under hot dishes, appliances, etc.
- Sunlight's ultraviolet rays can damage the finish of furniture. Do not place furniture directly against a heater or radiator and do not place in the path of hot streams of air from central heating. This will cause extreme localized drying of the wood.

High Gloss Resin Table Maintenance:

- Resin tabletops have approximately 1/8" of a resin coat on the top face of the table, which will resist ice, water, wine, liquor, food, cleaning fluids, and warm or hot liquids; however, cups, glasses, etc. containing hot liquids should not be left on the table without a coaster for protection.
- Resin tabletops will scratch just the same as any other glossy surface and basic precautions should be taken.
- For lasting shine, the resin table should be waxed with a car wax that does not contain silicon. Maintaining this wax build-up will result in a high gloss shine.
- When wiping down the table, a soft, clean rag should be used. Do not use a heavy paper.

Granite Top Maintenance:

The surface of the granite on your table has been polished or sealed to create a generally non-porous surface. The stone has many natural characteristics including: veining, hairline cracks, and color variations - which make up the stone's beauty.

To maintain the beauty of your granite:

- Protect surfaces from scratching, staining and etching by:
 - * Keeping them free of debris or sharp objects
 - * Wiping up spills immediately
 - * Avoiding contact with chemicals (particularly acid-based materials)
- Clean with pH neutral products or those especially formulated for use on stone.
- It is not recommended to use a water-based solvent for dark granite as it will remove the polish from the surface.
- After a period of use, apply a penetrating sealer to prevent contaminants from being absorbed into the stone.
- Remove stains with special absorbent poultices formulated for use on stone.
- Renew the surface on polished granite (granite with a high gloss surface) by buffing with special stone polish , powder or cream .

Do not use granite polish on granite with a matte finish, which has been honed rather than polished. (Penetrating sealer may be used on both polished and honed granite.)

Marble Top Maintenance:







Marble may be stone, but it is porous stone and can stain easily. Treating marble surfaces the same as wood surfaces is a great rule of thumb.

- It is recommended to seal the tops on a regular basis (every 6 to 12 months). A good quality stone sealer can be purchased from any tiles/stone store or any homecare store and should be applied according to the manufacturer's recommendation.
- When sealed properly, marble tops can be used indoors and outdoors and can withstand any weather conditions except internal freezing. Snow or freezing rain will penetrate the table and cause cracks.

Caring for the Fabric on Upholstered Furniture:

- Frequent vacuuming of the entire upholstered area will prevent dust from settling into the fibers.
- Professional cleaning is always recommended for all upholstered pieces.
- Always pre-test a small area of fabric in an inconspicuous area when cleaning before proceeding.
- Do not use cleaning products containing brightening agents.

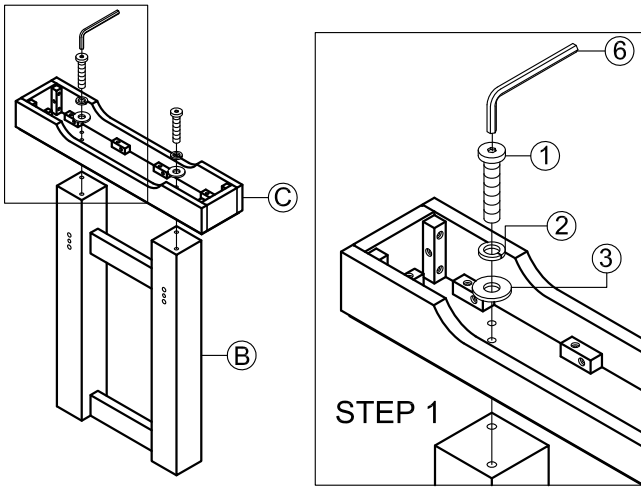
VERY IMPORTANT!!

<p>NEVER USE GLASS CLEANERS ON FINISHED SURFACES. AMMONIA WILL CHEMICALLY ATTACK THE FINISH.</p>	<p>DO NOT WRITE DIRECTLY ON SURFACE </p> <p style="text-align: center;">PREVENT MARKING</p>	<p>DO NOT PLACE DIRECTLY IN SUNLIGHT </p> <p style="text-align: center;">PREVENT FADING</p>	<p>DO NOT USE PLACEMATS WITH RUBBER BASES </p> <p style="text-align: center;">PREVENT DISCOLORING</p>
<p>NEVER ALLOW LIQUIDS OF ANY KIND TO LINGER ON SURFACES. ABSORPTION CAUSES THE WOOD TO WARP AND THE FINISH TO DE-LAMINATE.</p>	<p>DO NOT USE COMMERCIAL POLISHES AND WAXES </p> <p style="text-align: center;">PREVENT YELLOWING</p>	<p>DO NOT PLACE HOT POTS, ETC. ON SURFACE </p> <p style="text-align: center;">PREVENT DAMAGE TO FINISH!</p>	<p>REGULATE THE HUMIDITY CONDITIONS AT YOUR HOME </p> <p style="text-align: center;">PREVENT SPLITTING</p>

ASSEMBLY INSTRUCTIONS

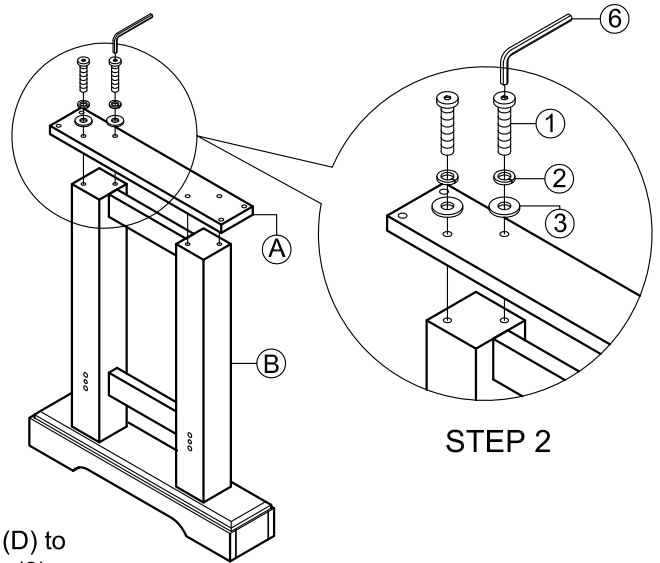
STEP 1

Attach Leg (C) to the Post (B), insert Large Flat Washer (3), Lock Washer (2), Short Bolt (1) and tighten by Allen Key (6) as picture shown.



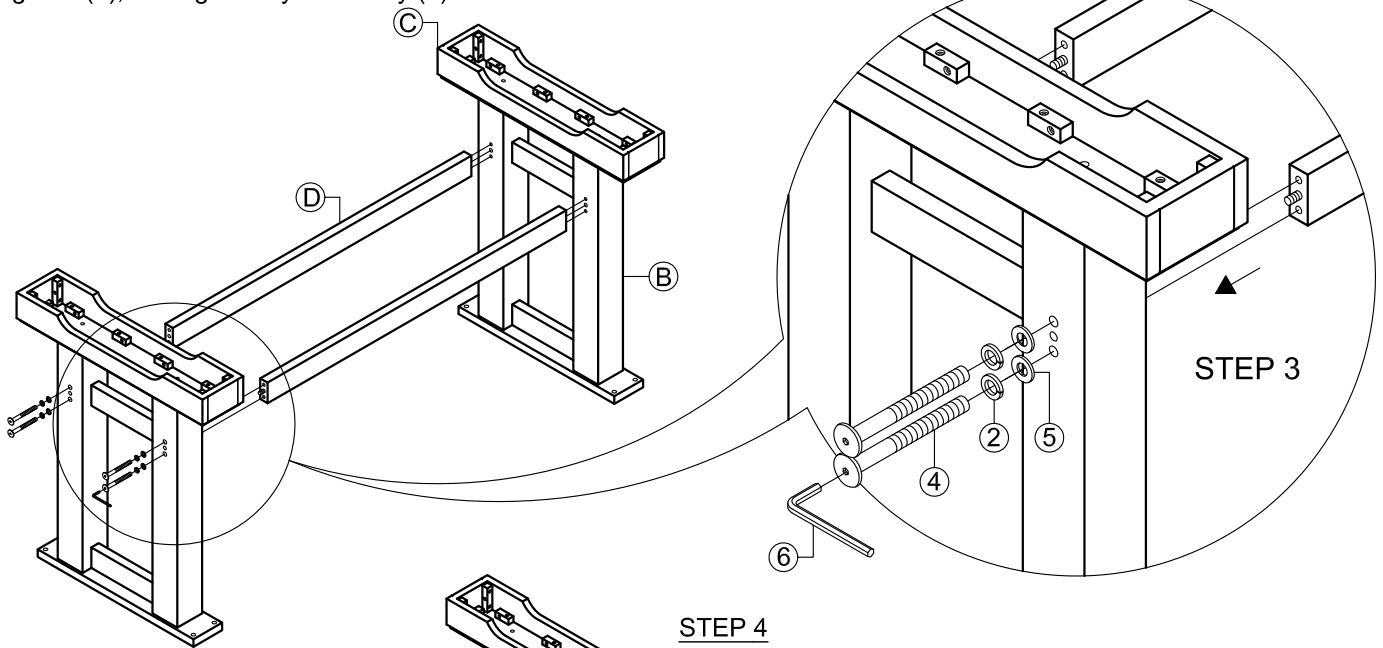
STEP 2

Attach Mounting Plate (A) to the Post (B), insert Large Flat Washer (3), Lock Washer (2), Short Bolt (1), and tighten by Allen Key (6).



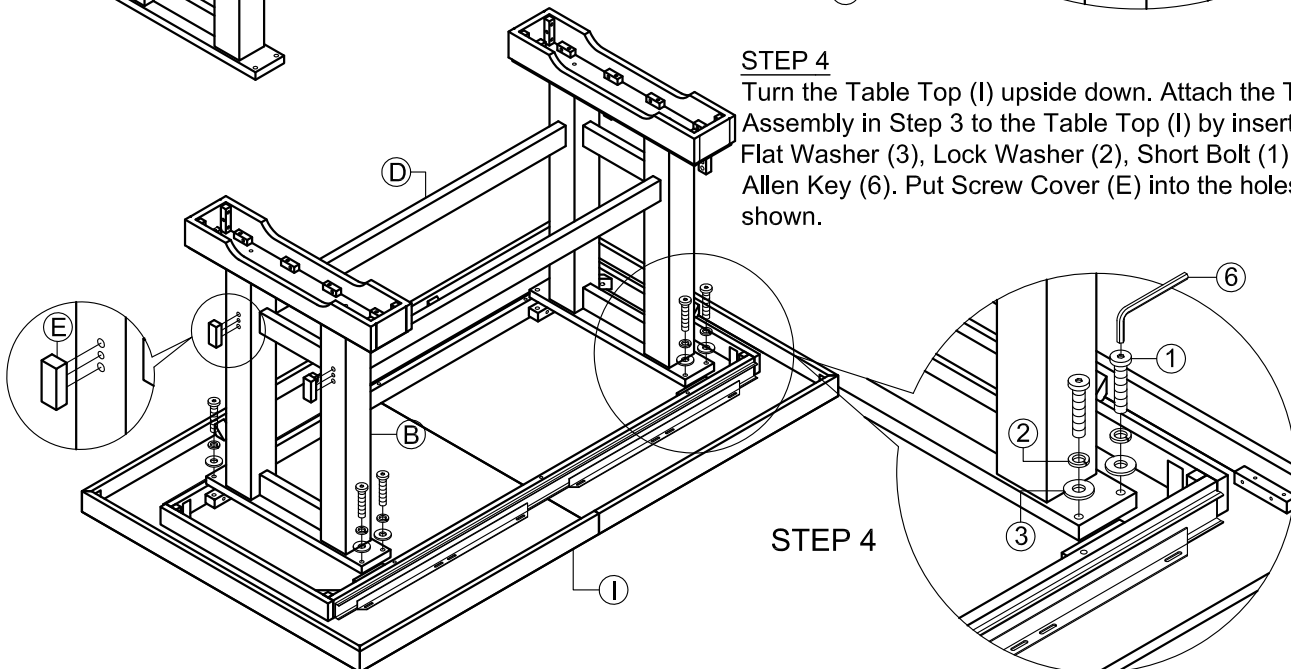
STEP 3

Turn the Post Assembly in Step 2 upside down. Attach Bottom Rail (D) to the Post Assembly by inserting Small Flat Washer (5), Lock Washer (2), Long Bolt (4), and tighten by Allen Key (6).



STEP 4

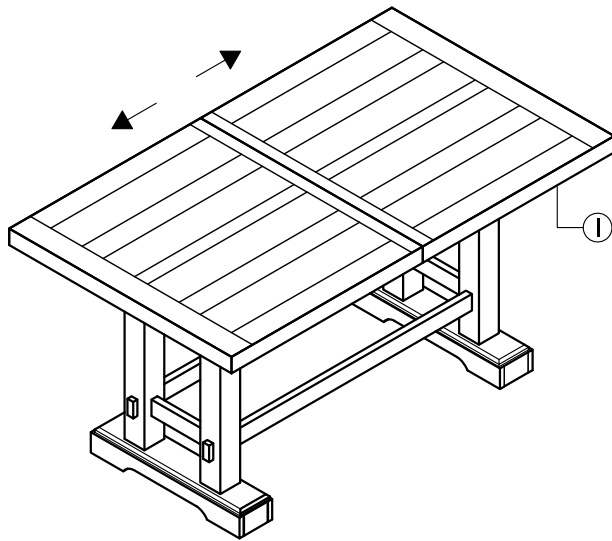
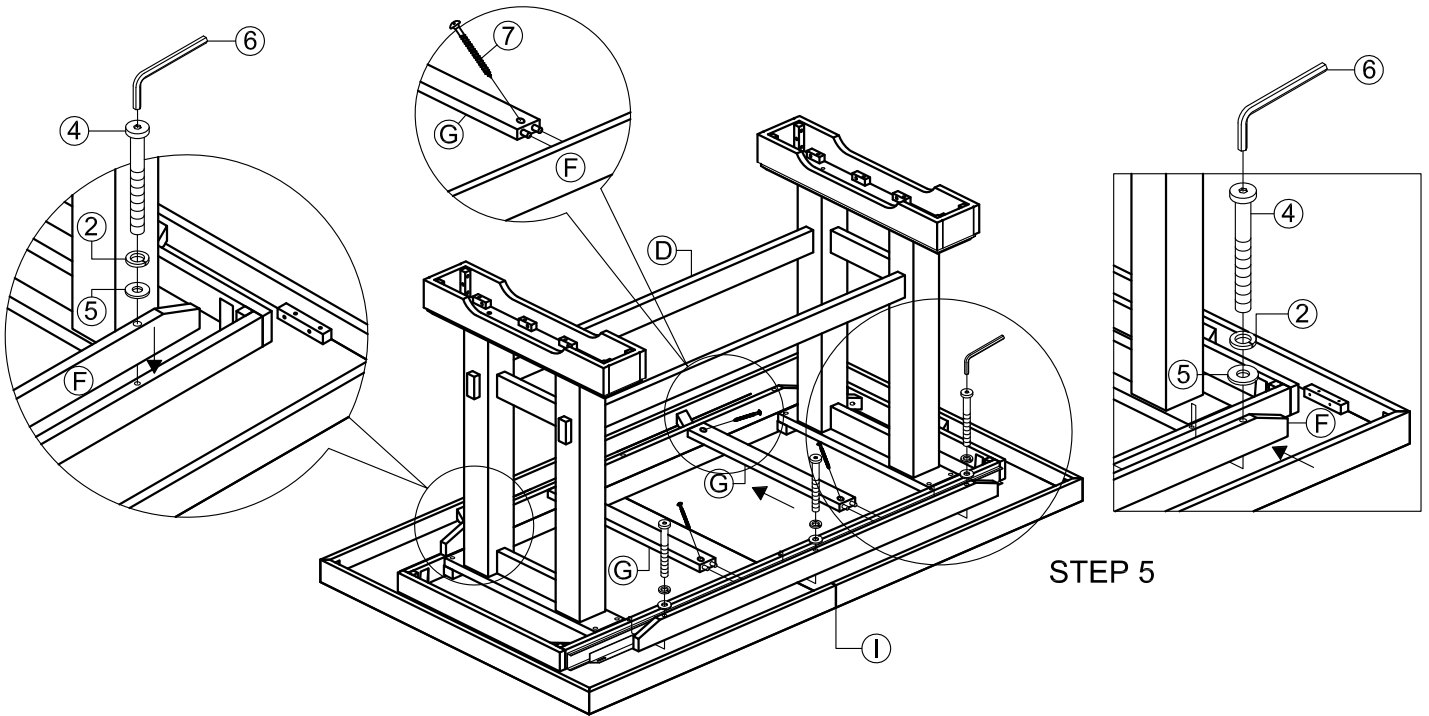
Turn the Table Top (I) upside down. Attach the Table Base Assembly in Step 3 to the Table Top (I) by inserting Large Flat Washer (3), Lock Washer (2), Short Bolt (1), and tighten by Allen Key (6). Put Screw Cover (E) into the holes of the Post as shown.



ASSEMBLY INSTRUCTIONS

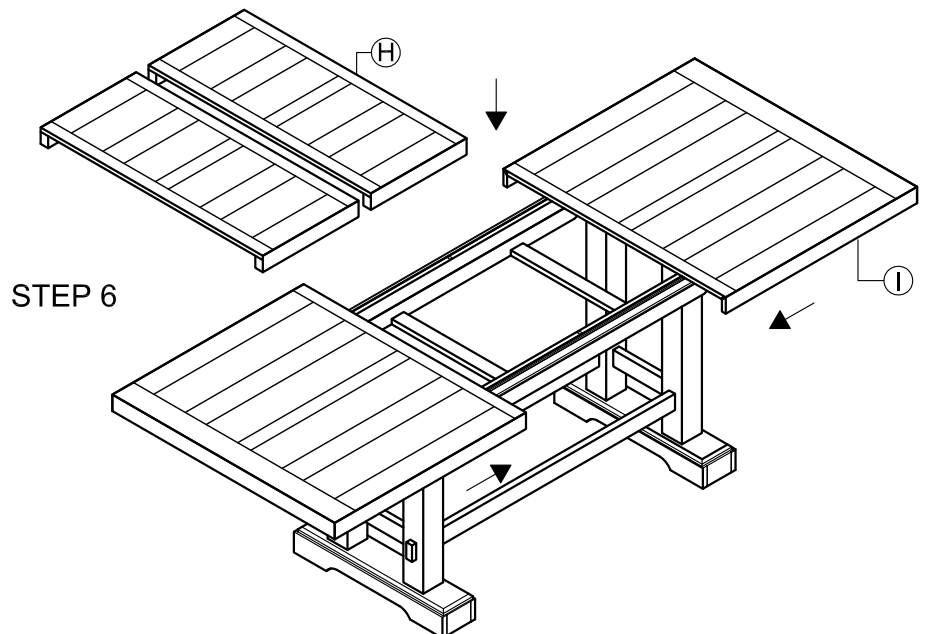
STEP 5

Attach Slide Support Rail (F) to Table Top (A) by using Small Flat Washer (5), Lock Washer (2), Long Bolt (4) as shown below. Fully tighten one side first, then set up Support Panel (G) to the Slide Support Rail (F), tighten the opposite Slide Support Rail (F) and Support Panel (G) to the Slide Support Rail (F) by using Screw (7).

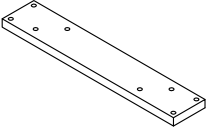
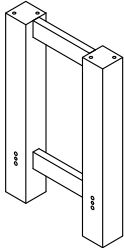
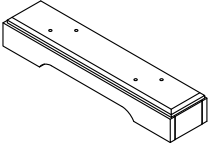
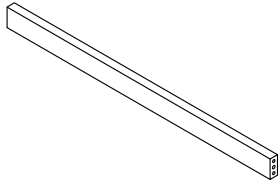
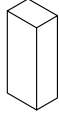


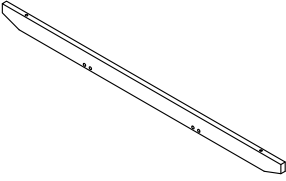
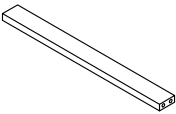
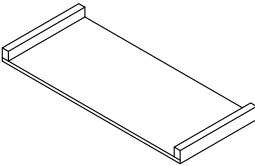
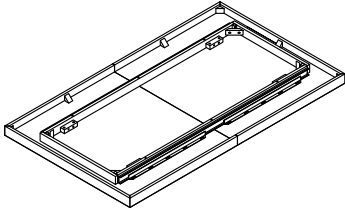
STEP 6

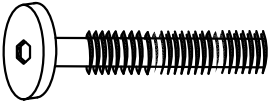
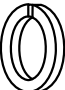

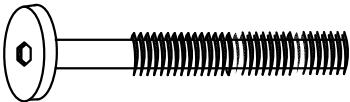



Unlock the Latch under the Table Top (I). Pull from both ends of Table Top (I), place the Table Leaf (H) on the frame of the table and secure the Latch underneath of Table Top (I) as shown.

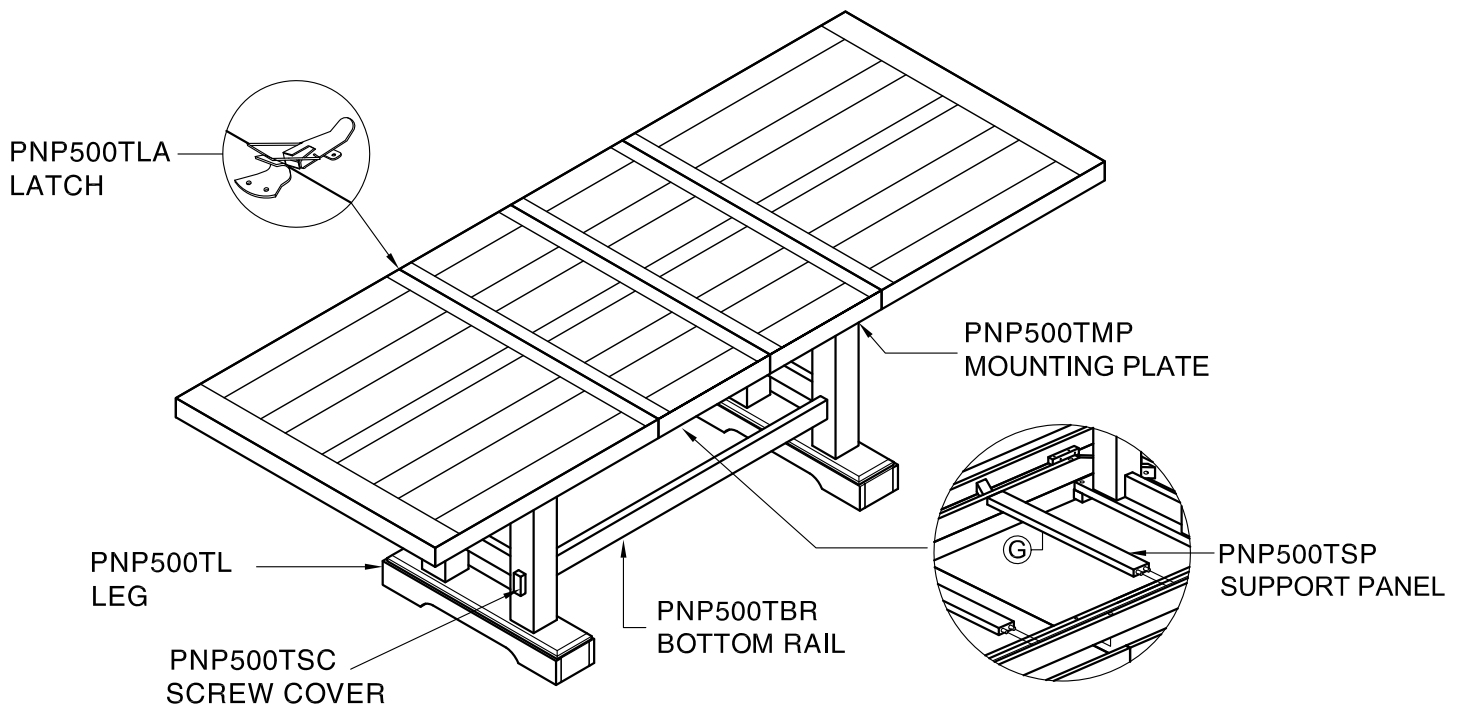


PARTS LIST

(A) Mounting Plate (2Pcs)	(B) Post (2Pcs)	(C) Leg (2Pcs)	(D) Bottom Rail (2Pcs)	(E) Screw Cover (4Pcs)
				

(F) Slide Support Rail (2Pcs)	(G) Support Panel (2Pcs)	(H) Table Leaf (2Pcs)	(I) Table Top (1Pc)
			

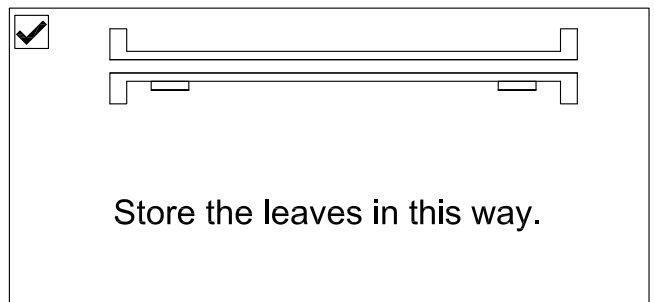
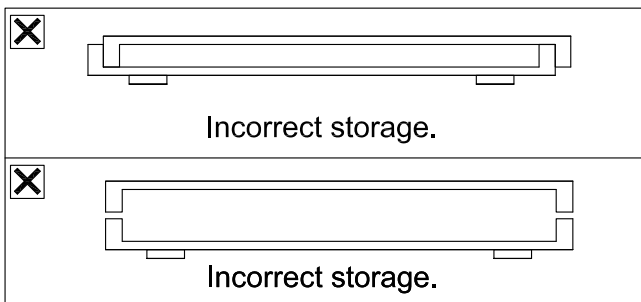
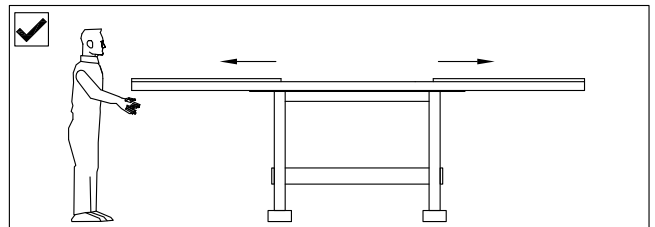
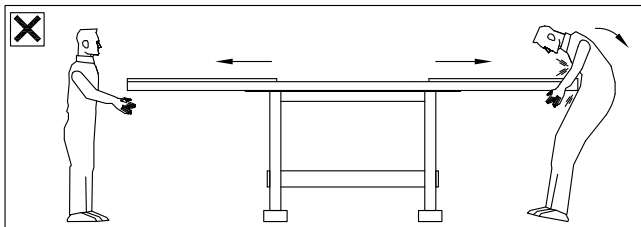
NO.	DESCRIPTION	DIMENSION	Q'TY
1	SHORT BOLT 	$\phi 5/16"$ x 50mm	24PCS
2	LOCK WASHER 	$\phi 5/16"$ x 12mm	38PCS
3	LARGE FLAT WASHER 	$\phi 5/16"$ x 19mm	24PCS
4	LONG BOLT 	$\phi 1/4"$ x 105mm	14PCS
5	SMALL FLAT WASHER 	$\phi 1/4"$ x 12mm	14PCS
6	ALLEN KEY 	58x 23x 4mm	1PC
7	Screw 	$\phi 8$ x $\phi 4$ x 32mm	4PCS



PRODUCT DETAILS	
TOP	MDF+ MANGO VENEER
APRON	MDF+ MANGO VENEER
LEG	MANGO
POST	MANGO
PRODUCT SIZE	42" x 72"x 90" x 108" x 30.5"H W/Two 18" Leaves
CARTON SIZE	75.98" X 46.06" X 7.68"H
NET WEIGHT	184.8 LBS
GROSS WEIGHT	200.2 LBS
CU.FT.	15.55'

Caution:

Make sure there is no one on the other end of the table when you pull open the table top.



Incorrect storage.

Incorrect storage.

Store the leaves in this way.