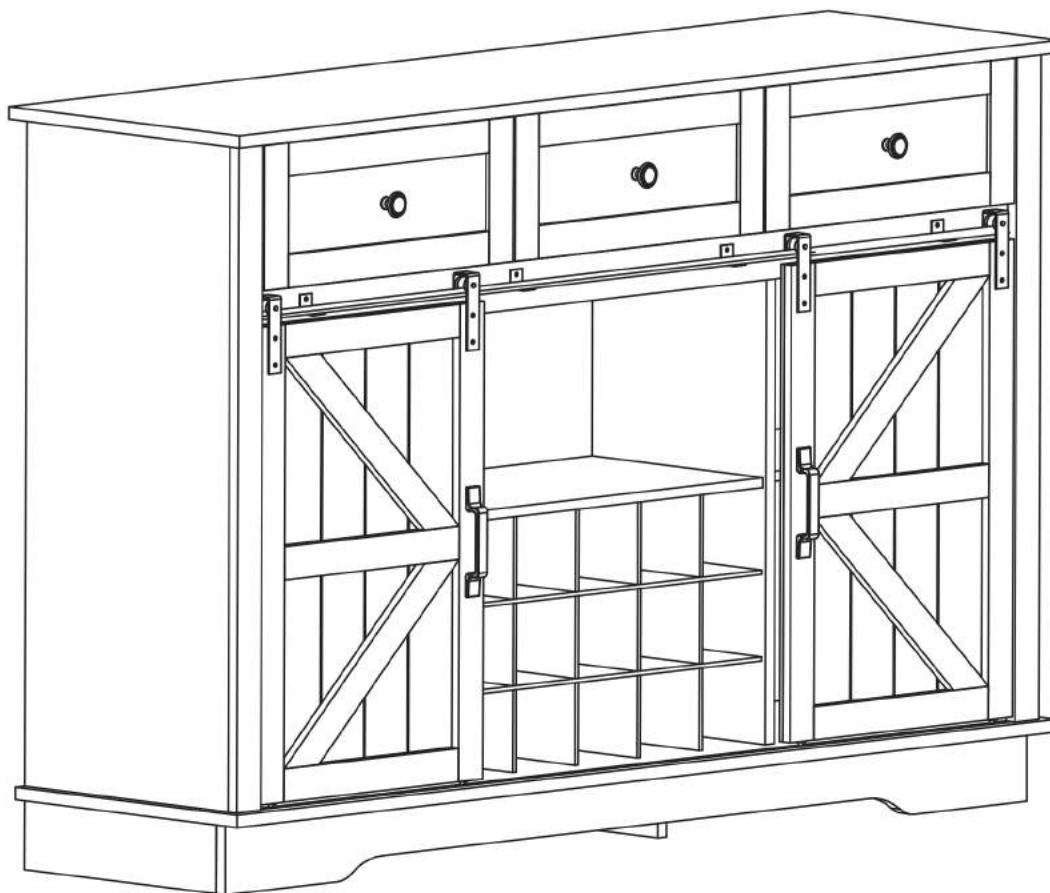


# ASSEMBLY INSTRUCTION

## Farmhouse Coffee Bar Cabinet

THE PRODUCT MAY RECOMMENDED ASSEMBLING BY  
MORE THAN ONE PERSON

# SKU : KD005301

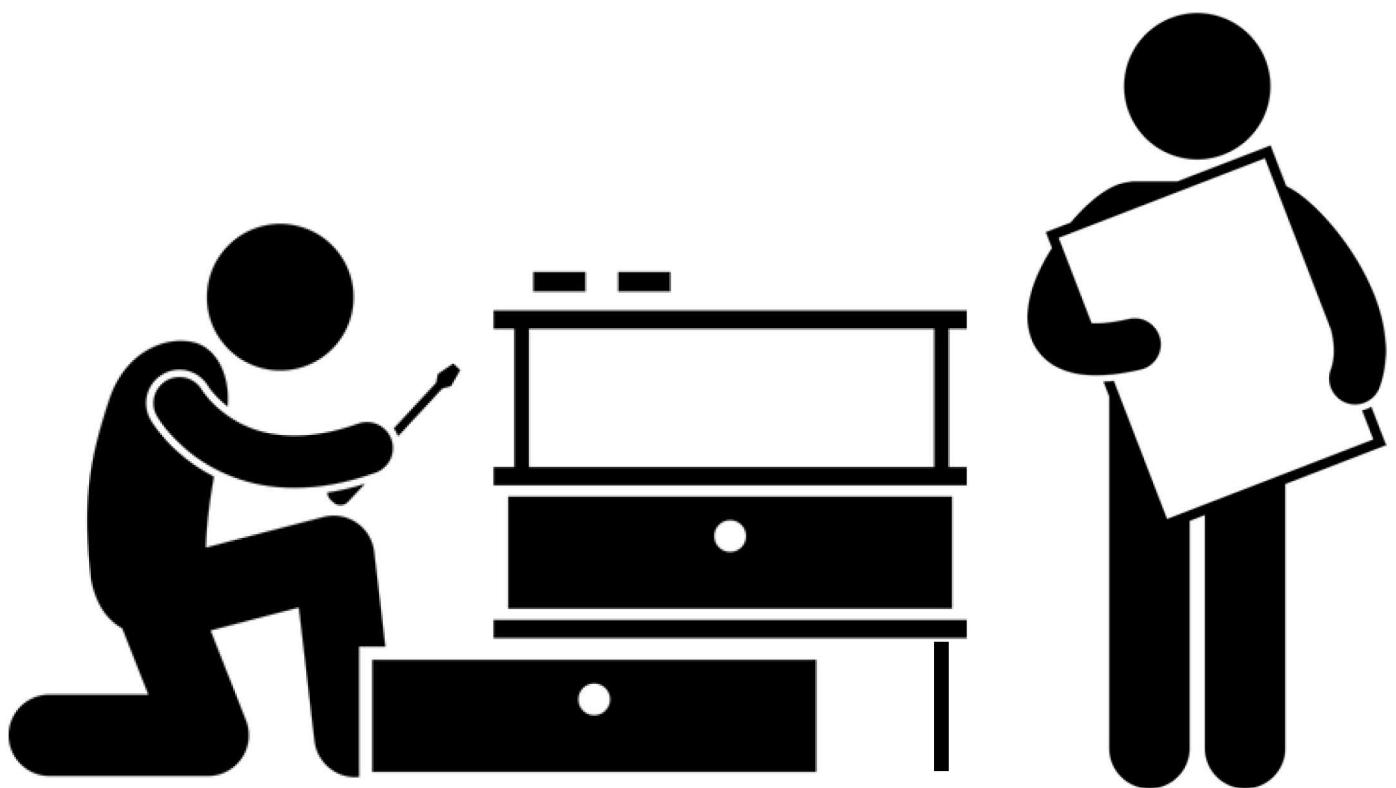


## REPLACEMENT PARTS

We are devoted to provide the best products and services for customers.  
Please contact us via the “**Contact seller**” button in the detail page of your order for  
any concern and we'll response as soon as possible.

**THE PRODUCT MAY RECOMMENDED  
ASSEMBLING BY MORE THAN ONE  
PERSON.**

**PLEASE ASK FOR ASSISTANCE AT YOUR  
CONVENIENCE BEFORE ASSEMBLING.**

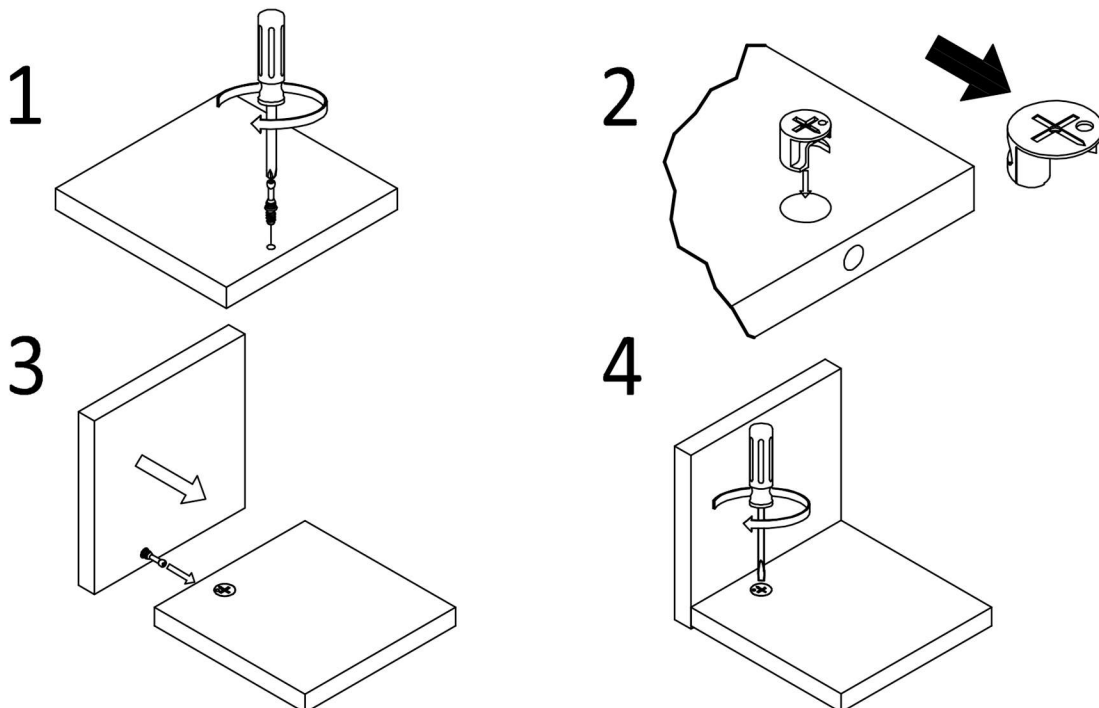


# Before You Start

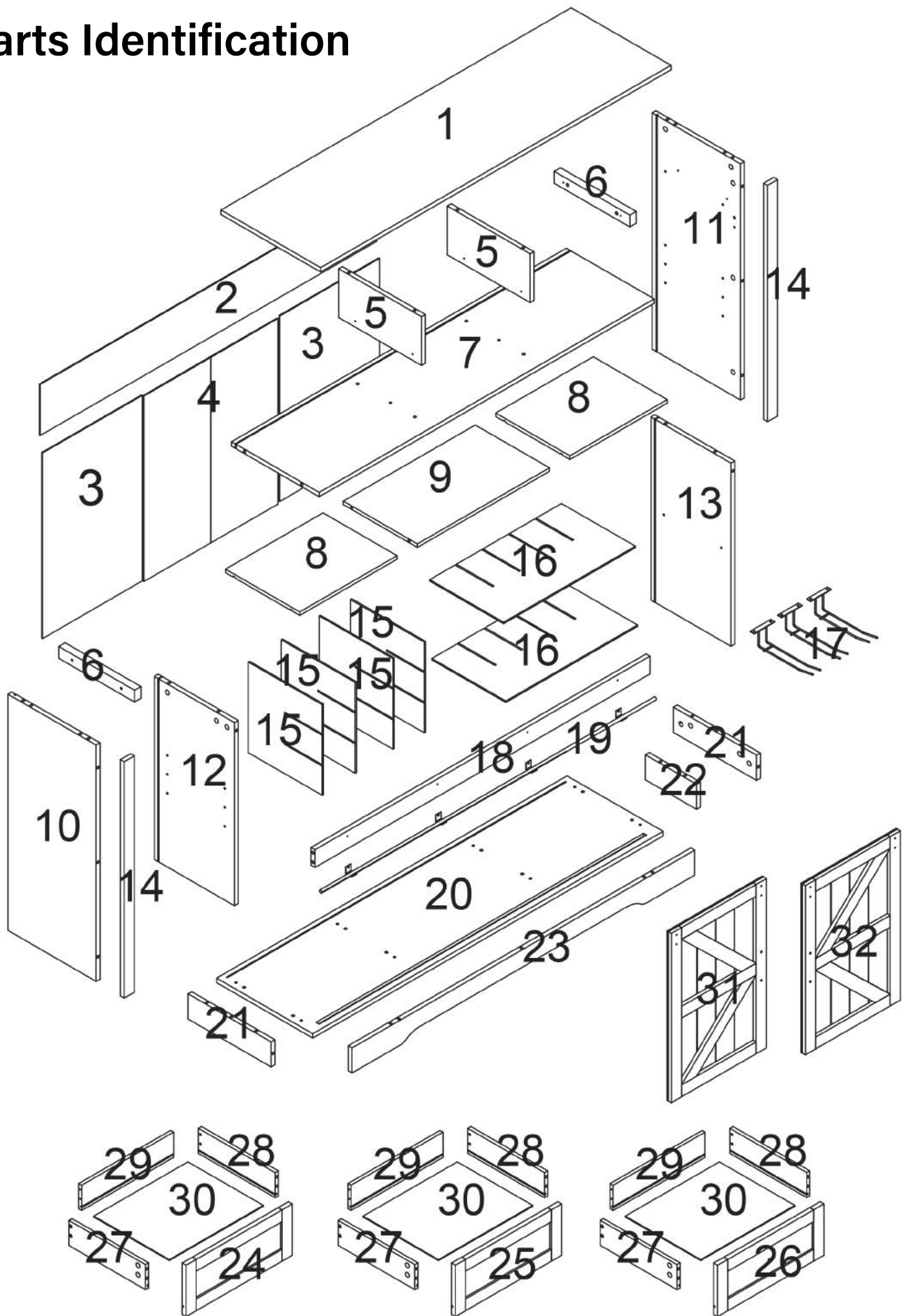
1. Read through each step carefully and follow the proper order
2. Separate and count all your parts and hardware
3. Give yourself enough room for the assembly process
4. Caution: If using a power drill or power screwdriver for screwing, please be aware to slow down and stop when screw is tight. Failure to do so may result in stripping the screw.

## Cam Lock Fastening System

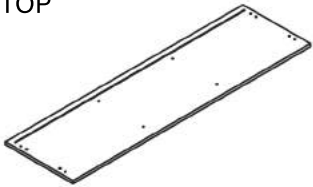
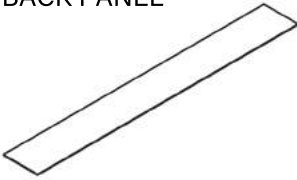
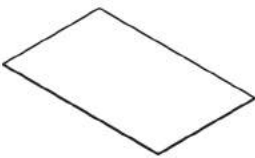
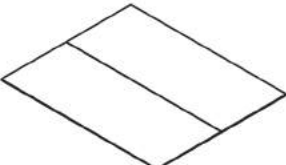
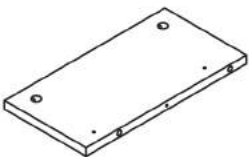
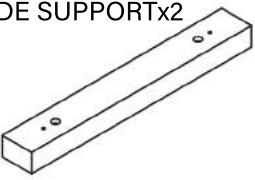
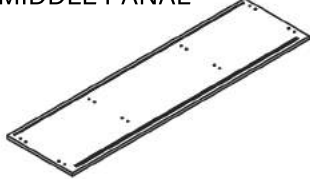
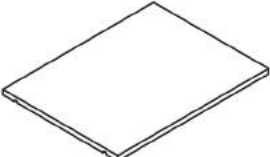

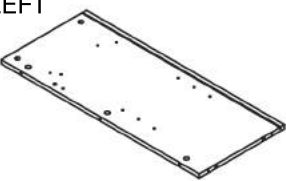
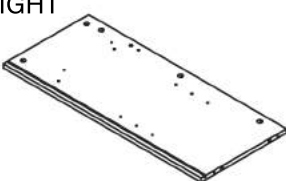
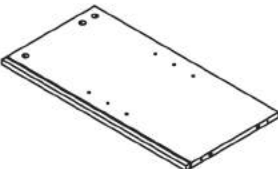
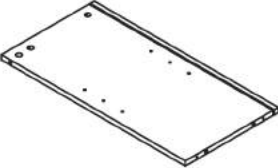

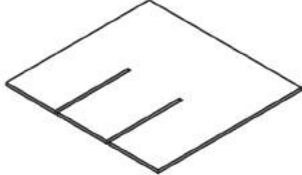
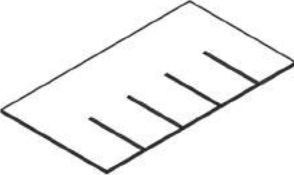

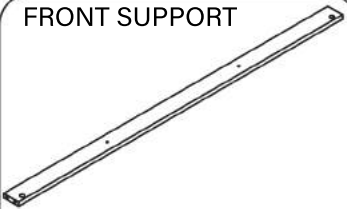

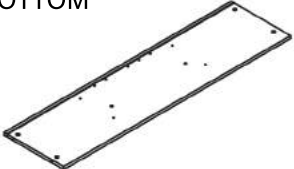
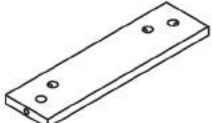
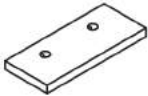
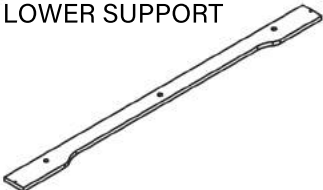
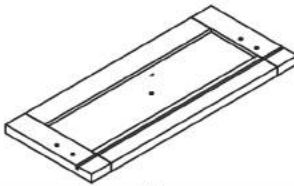
This Cam Lock Fastening System will be used throughout the assembly process.



# Parts Identification

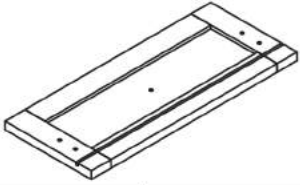


# Parts List

TOP 	BACK PANEL 	BACK PANELx2 	BACK MIDDLE PANEL 
1   1PC	2   1PC	3   2PC	4   1PC
MIDDLE SUPPORTx2 	SIDE SUPPORTx2 	MIDDLE PANAL 	SHELFx2 
5   2PC	6   2PC	7   1PC	8   2PC
SHELF 	LEFT 	RIGHT 	LEFT MIDDLE SHELF 
9   1PC	10   1PC	11   1PC	12   1PC
RIGHT MIDDLE SHELF 	FRONT SIDE SUPPORTx2 	DIVIDER SHELFx4 	DIVIDER SHELFx2 
13   1PC	14   2PC	15   4PC	16   2PC
WINE RACKx3 	FRONT SUPPORT 	METAL BAR 	BOTTOM 
17   3PC	18   1PC	19   1PC	20   1PC
SIDE ENDx2 	MIDDLE END 	LOWER SUPPORT 	FRONT DRAWER 
21   2PC	22   1PC	23   1PC	24   1PC

# Parts List

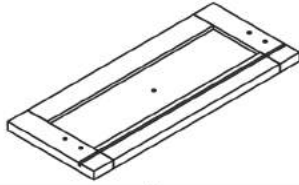
FRONT DRAWER



25

1PC

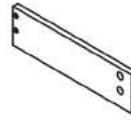
FRONT DRAWER



26

1PC

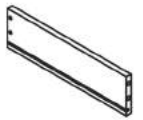
LEFT DRAWERx3



27

3PC

RIGHT DRAWERx3



28

3PC

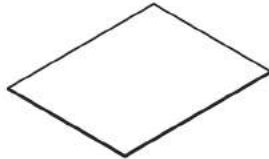
BACK DRAWERx3



29

3PC

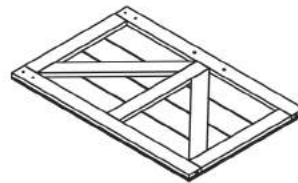
BOTTOM DRAWERx3



30

3PC

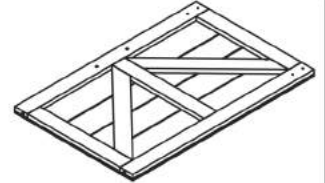
LEFT DOOR



31

1PC

RIGHT DOOR



32

1PC

# Hardware List

CAM BOLTx53



A

53PC

CAM LOCKx37



B

37PC

WOOD DAWELx22



Ø8\*30mm

C

22PC

SCREWx22



Ø4\*40mm

D

22PC

HANDLEx3



E

3PC

HANDLEx2



F

2PC

SCREWx24



Ø3.5\*12mm

G

24PC

BOLTx3



M4\*8mm

H

3PC

LEFT SLIDEx3



I

3PC

RIGHT SLIDEx3



J

3PC

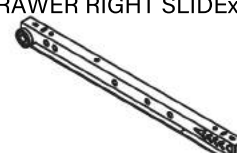
DRAWER LEFT  
SLIDEx3



K

3PC

DRAWER RIGHT SLIDEx3



L

3PC

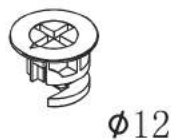
HANGING WHEELx4



M

4PC

CAM LOCKx16



N

16PC

SCREWx4



Ø4\*30mm

O

4PC

SCREWx18



Ø4\*14mm

P

18PC

DOOL SUPPORT PINx4



Q

4PC

SHELF SUPPORT PINx8



R

8PC

BOLTx4



M4\*20mm

S

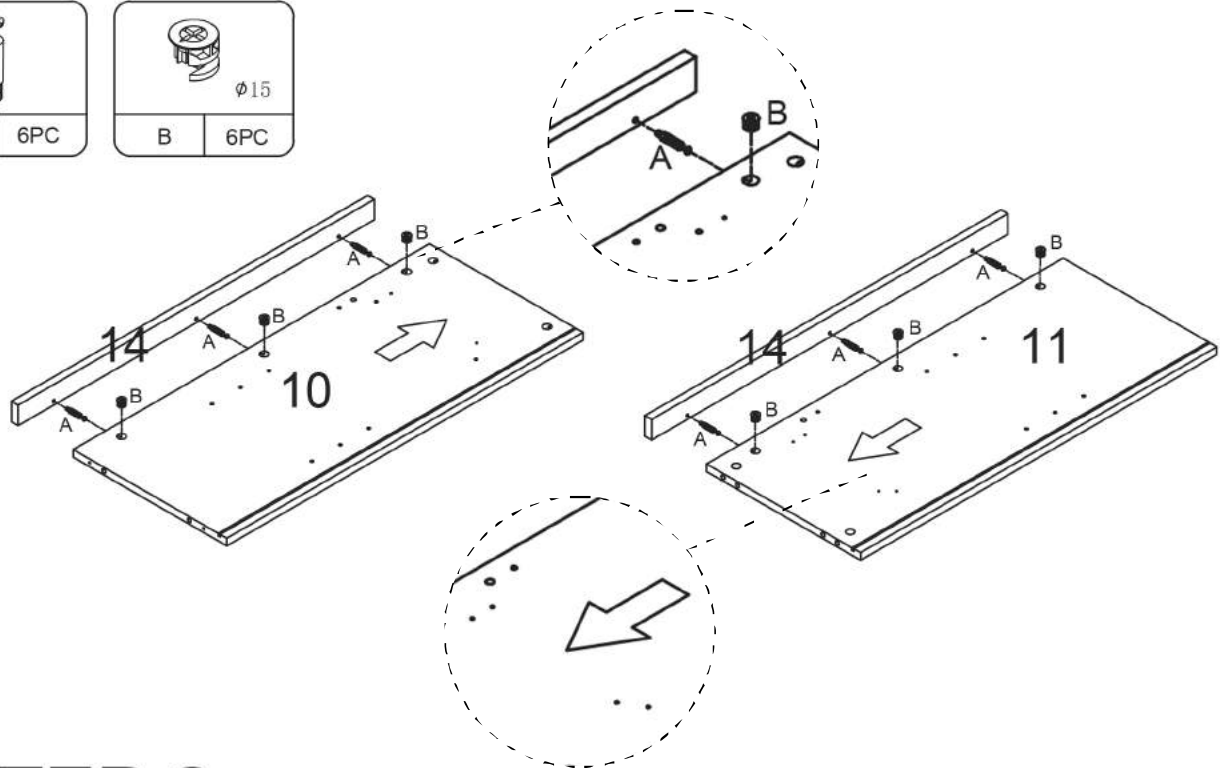
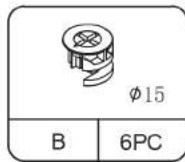
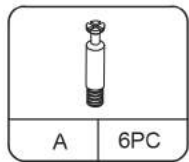
4PC

# STEP 1

Insert cam bolt (A) to part 14 with screwdriver

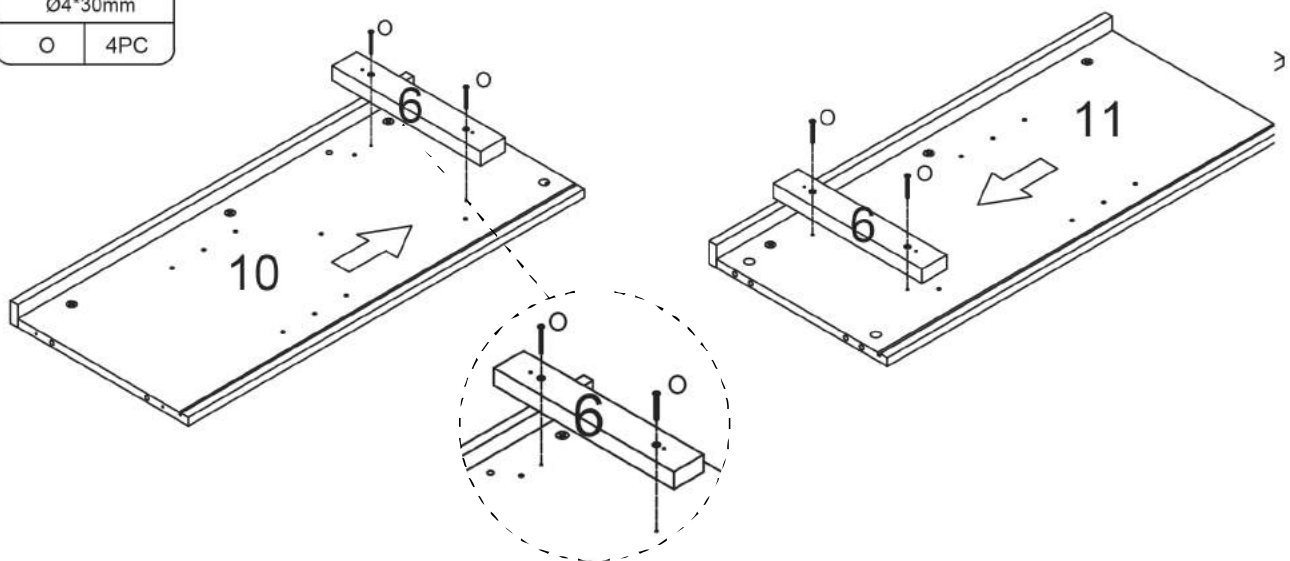
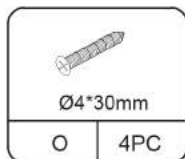
Attach part 14 to part (10,11) through bolt (A)

Insert and secure cam lock (B) to part (10,11) to lock part 14



# STEP 2

Attach part 6 to part (10,11) through screw (O)

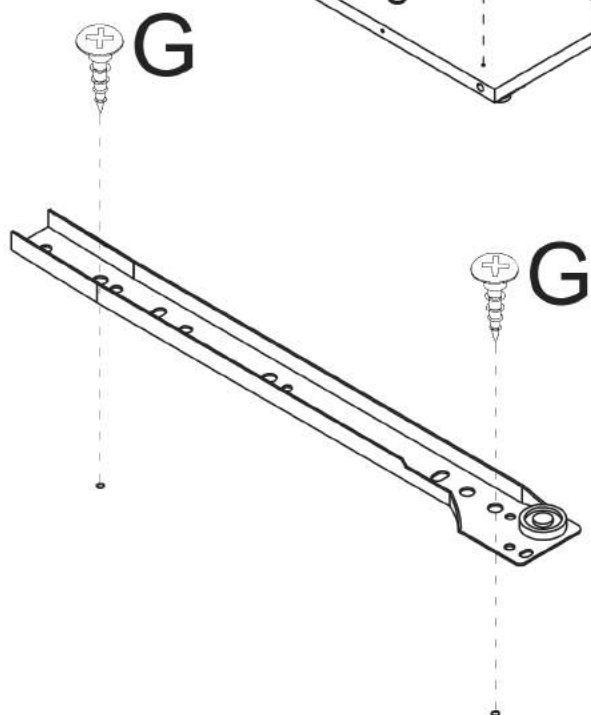
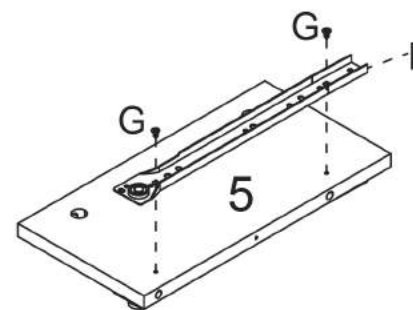
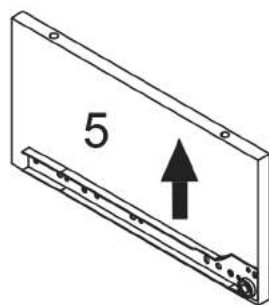
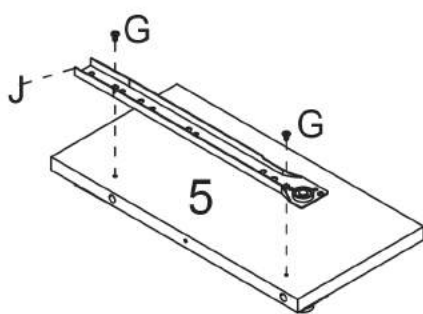
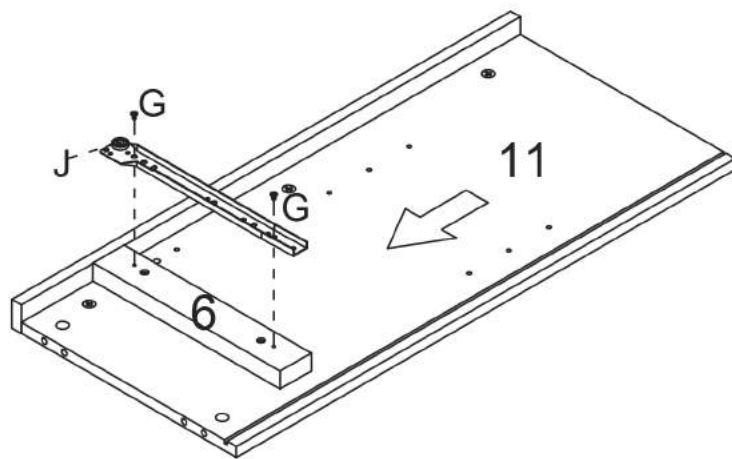
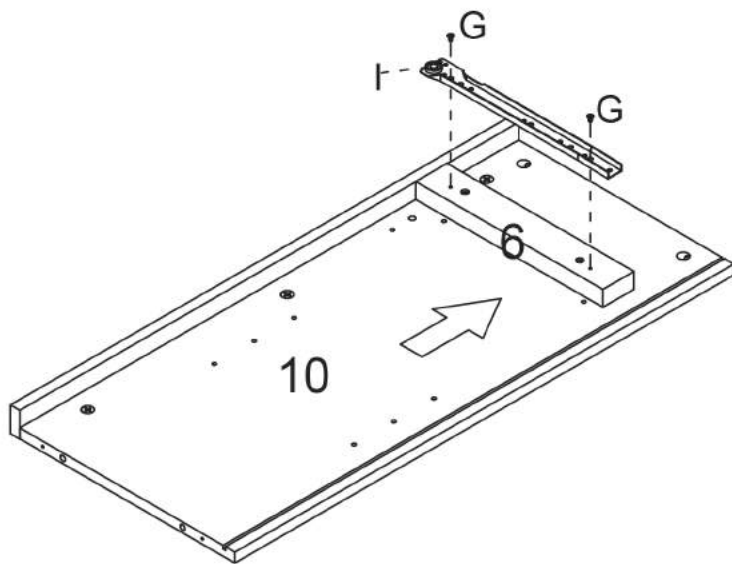
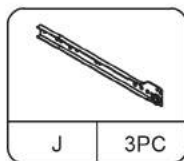
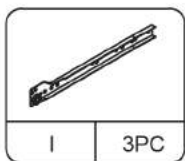
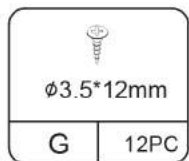


# STEP 3

Attach Part (I, J) to part 6 through Screw (G)

Attach Part (I, J) to part 5 through Screw (G)

This step is done twice in total



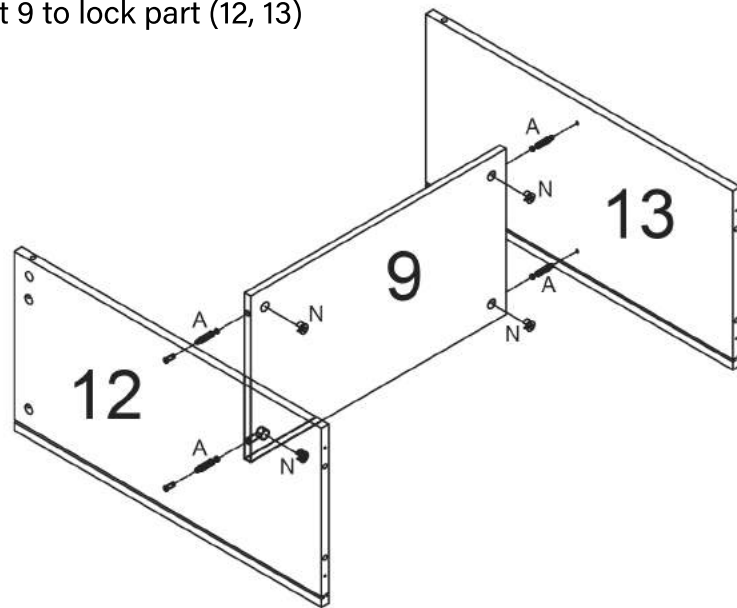
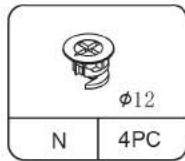
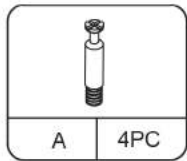
x2PC

# STEP 4

Insert cam bolt (A) to part (12, 13) with screwdriver

Attach Part (12,13) to part 9 through bolt (A)

Insert and secure cam lock (N) to part 9 to lock part (12, 13)

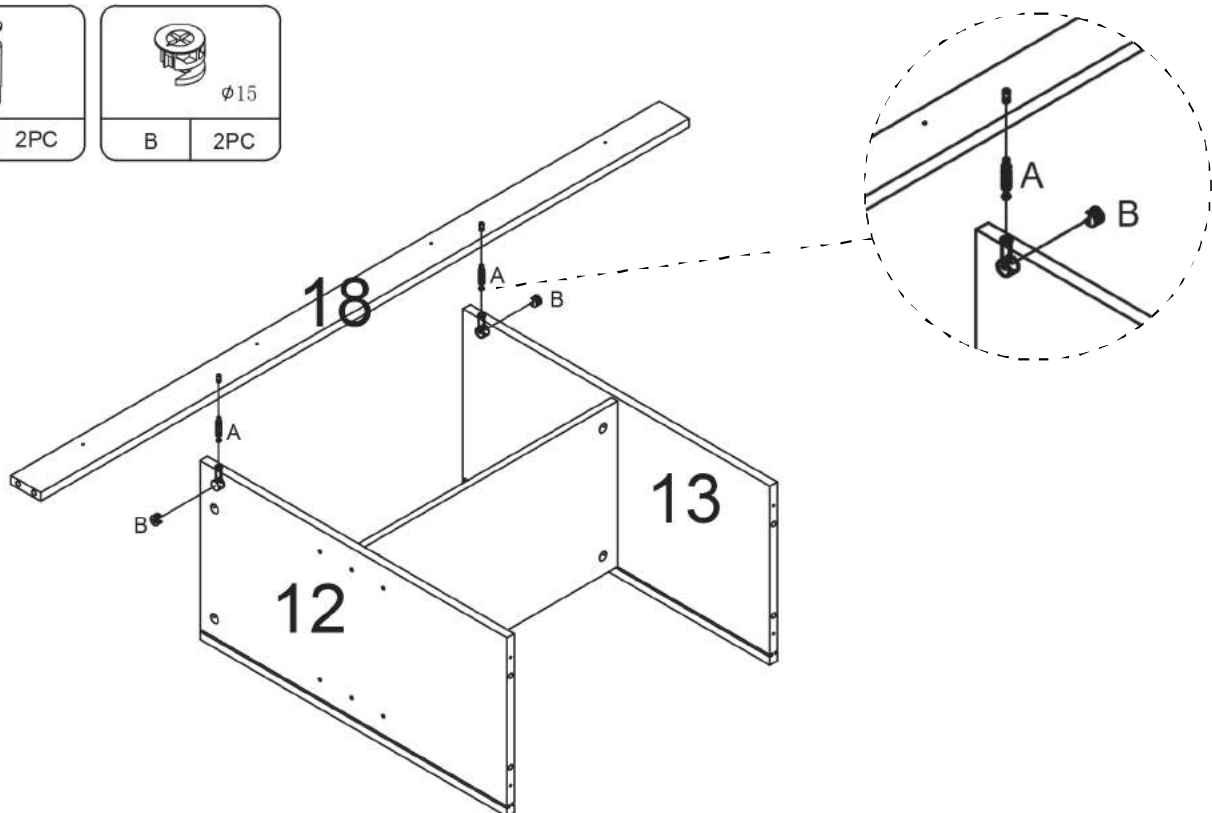
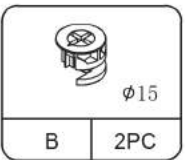
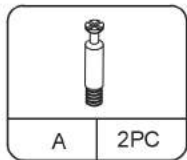


# STEP 5

Insert cam bolt (A) to part 18 with screwdriver

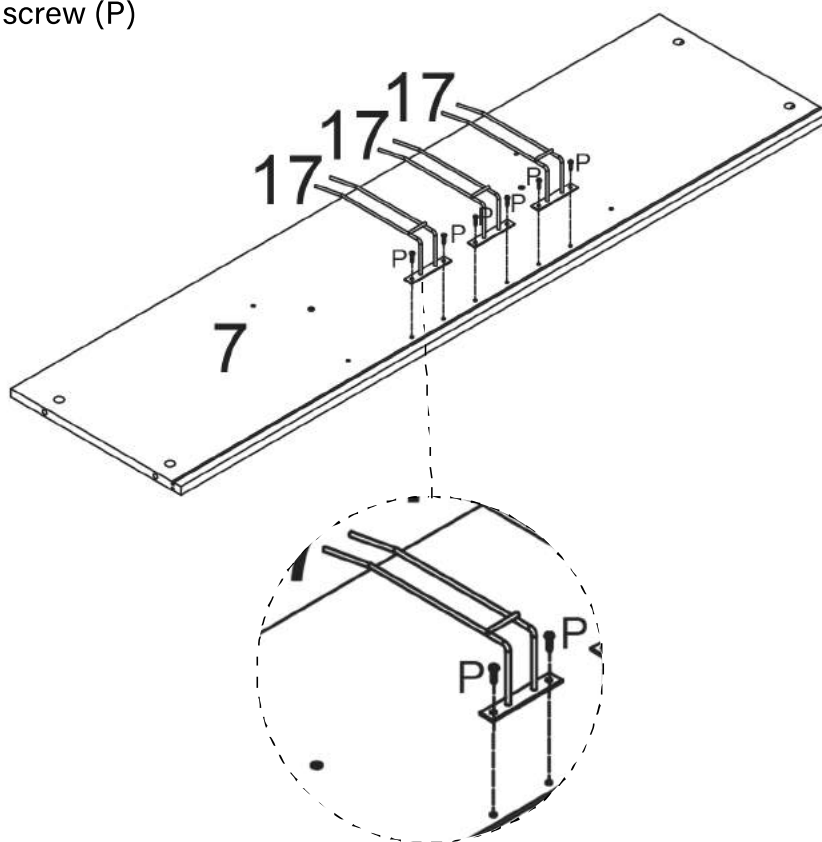
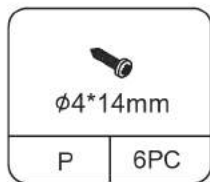
Attach Part 18 to part (12, 13) through bolt (A)

Insert and secure cam lock (B) to part (12, 13) to lock part 18



# STEP 6

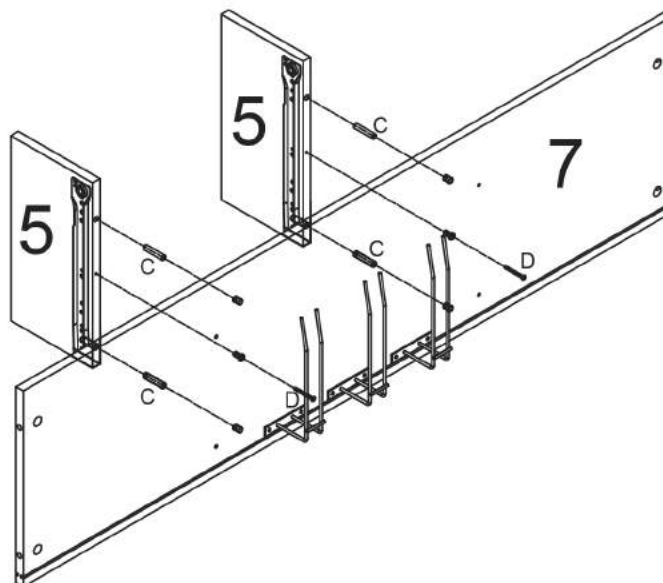
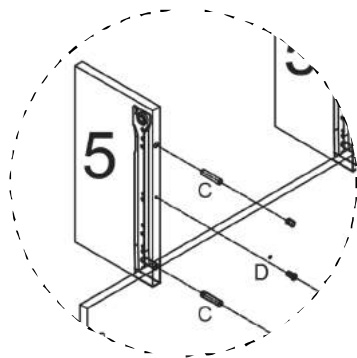
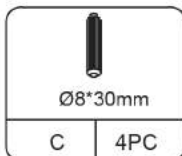
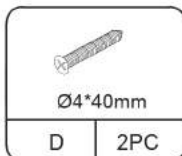
Attach part 17 to part 7 through screw (P)



# STEP 7

Insert dowel (C) into part 5

Attach part 5 to part 7 through dowel (C) and screw (D)

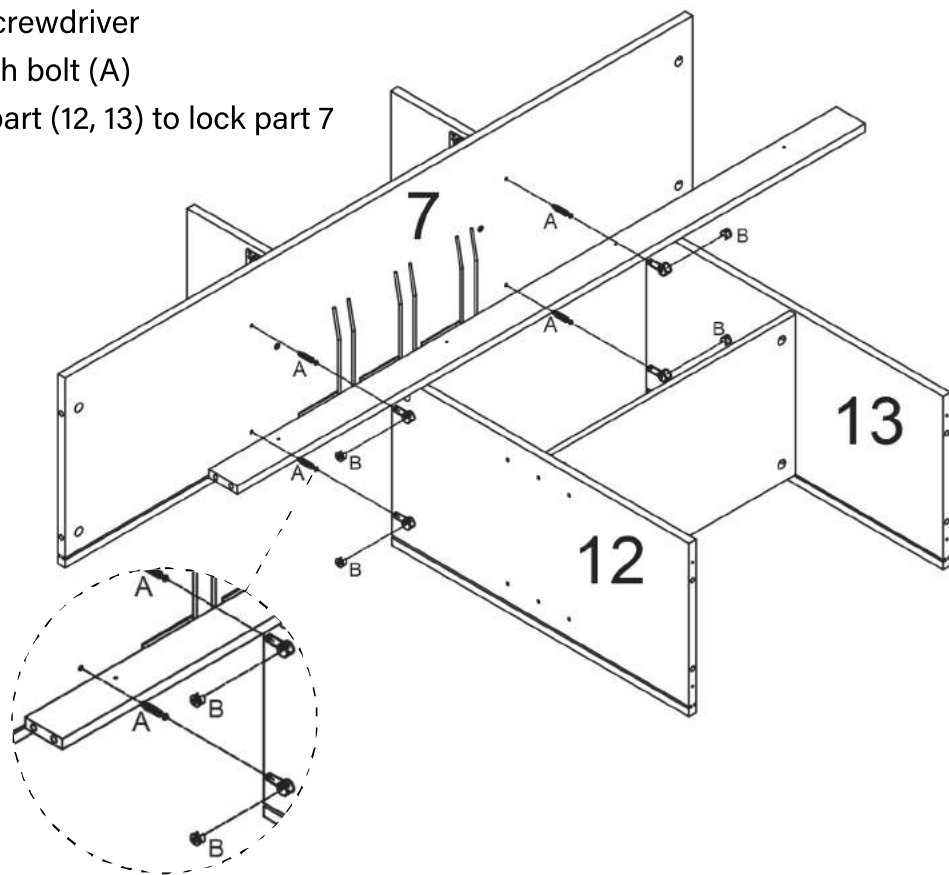
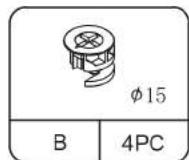
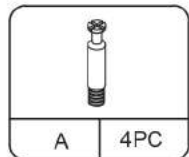


# STEP 8

Insert cam bolt (A) to part 7 with screwdriver

Attach Part 7 to part (12, 13) through bolt (A)

Insert and secure cam lock (B) to part (12, 13) to lock part 7



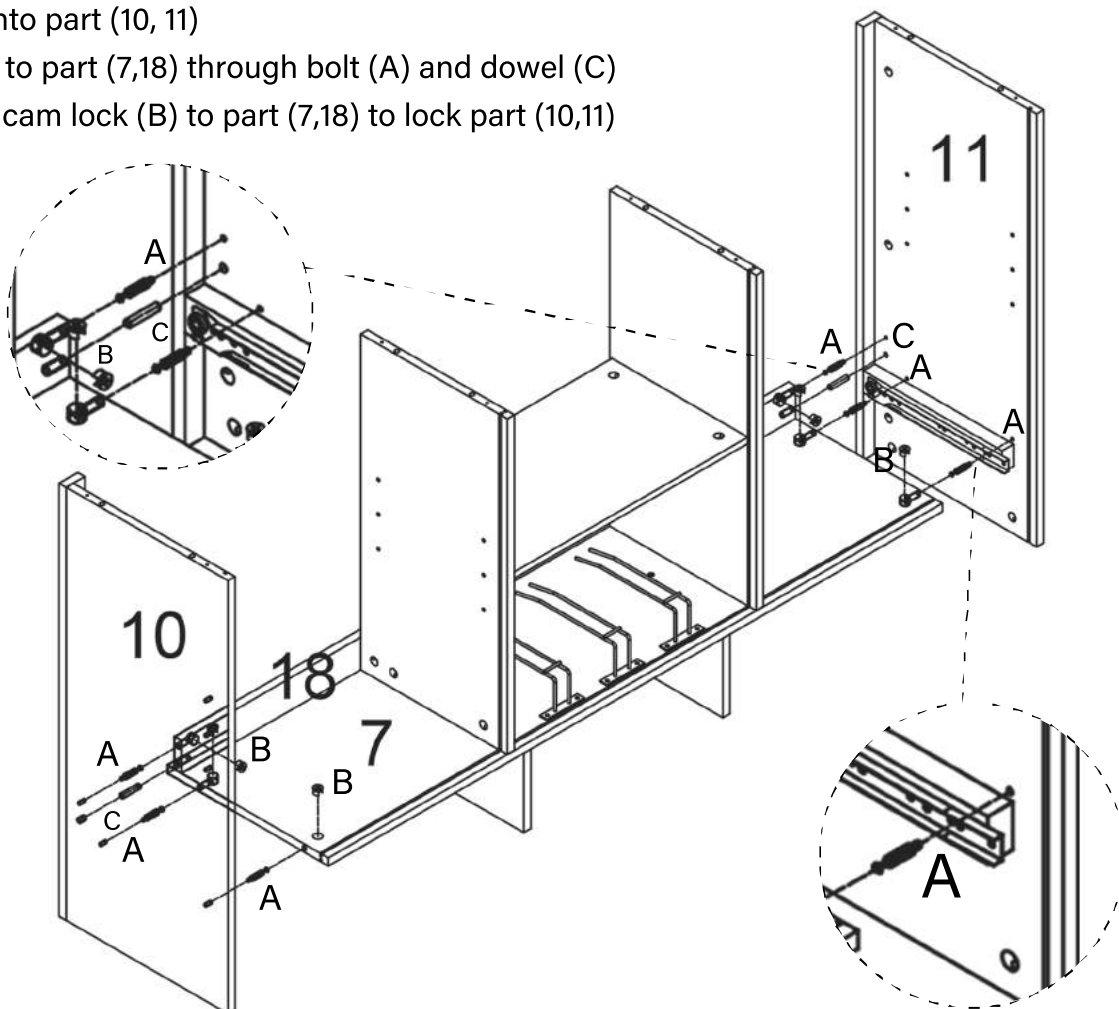
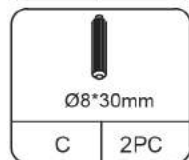
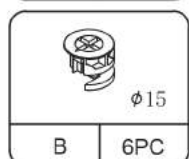
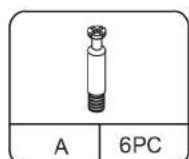
# STEP 9

Insert cam bolt (A) to part (10,11) with screwdriver

Insert dowel (C) into part (10, 11)

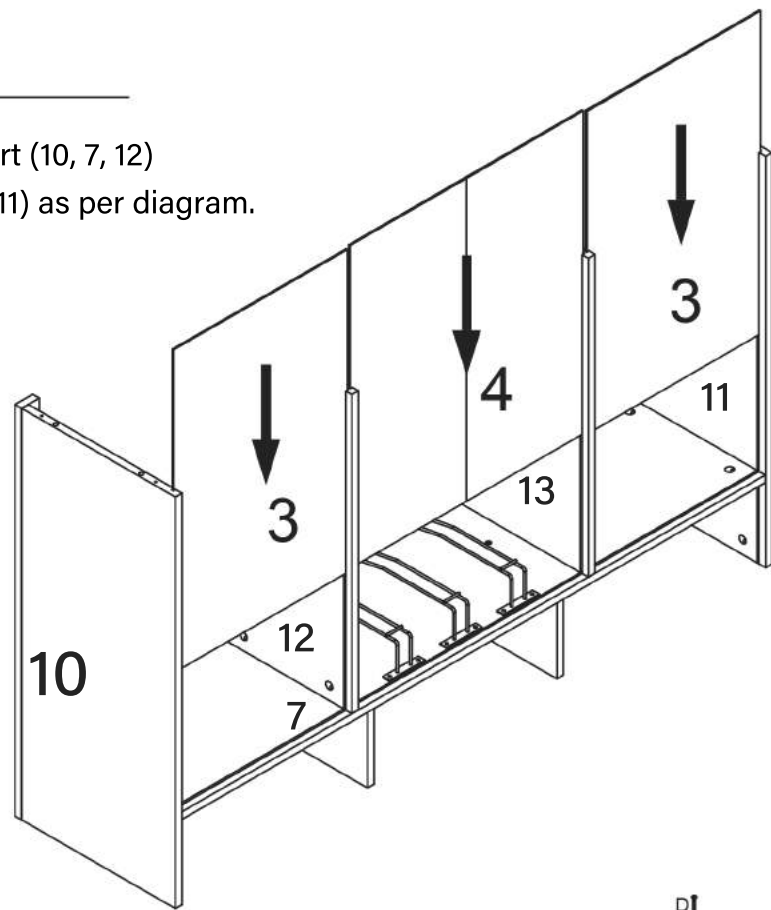
Attach part (10,11) to part (7,18) through bolt (A) and dowel (C)

Insert and secure cam lock (B) to part (7,18) to lock part (10,11)



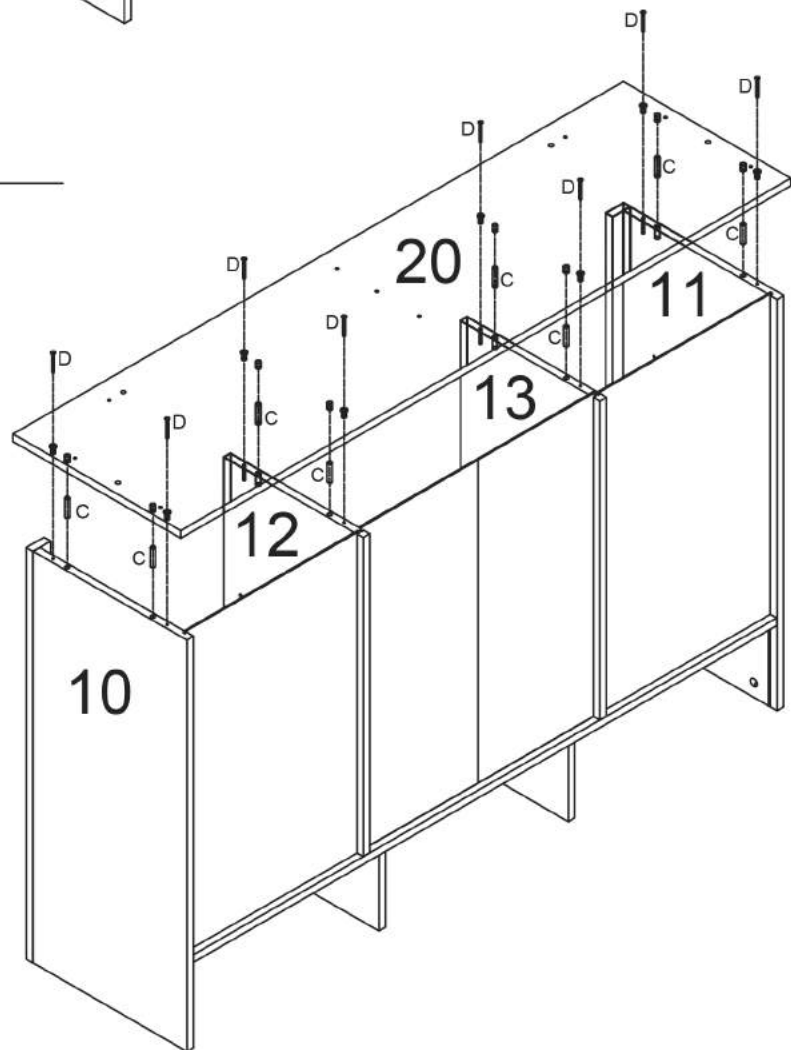
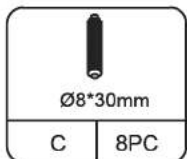
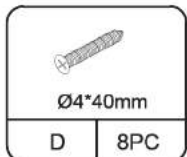
# STEP 10

Slide part (3, 4) into grooves of part (10, 7, 12)  
and part (12, 7, 13) and part (13, 7, 11) as per diagram.



# STEP 11

Insert dowel (C) into part 20  
Attach part 20 to part (10, 11, 12, 13)  
through dowel (C) and screw (D)

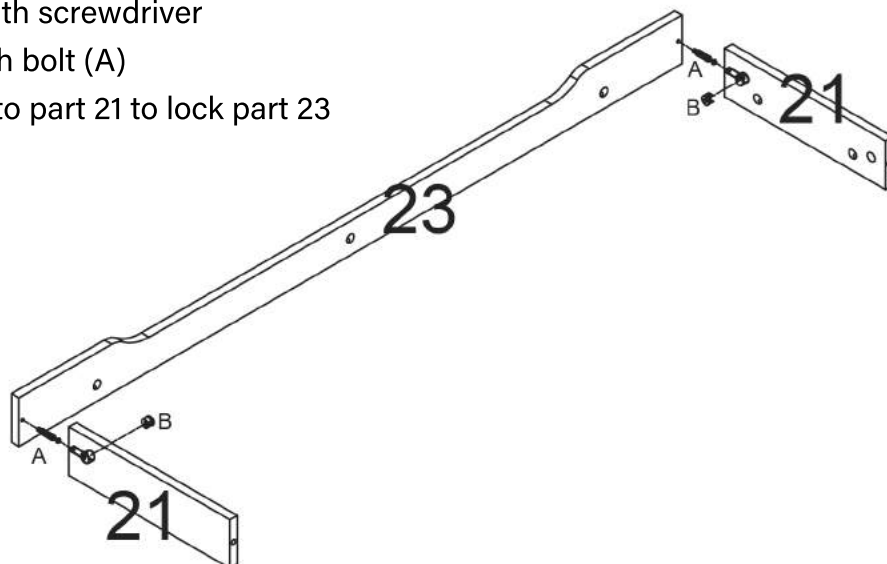
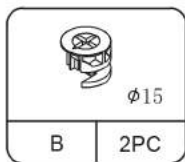
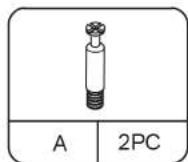


# STEP 12

Insert cam bolt (A) to part 23 with screwdriver

Attach part 23 to part 21 through bolt (A)

Insert and secure cam lock (B) to part 21 to lock part 23



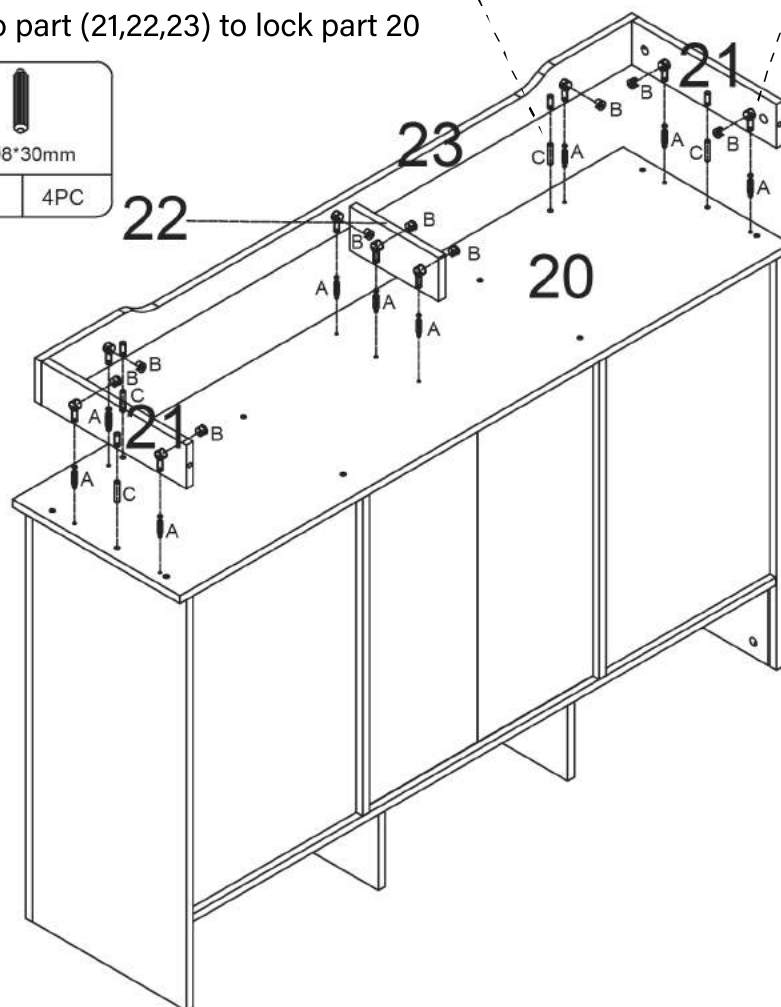
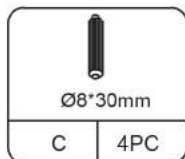
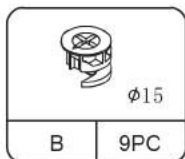
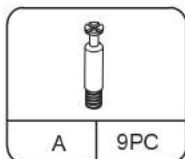
# STEP 13

Insert cam bolt (A) to part 20 with screwdriver.

Insert dowel (C) into part 20

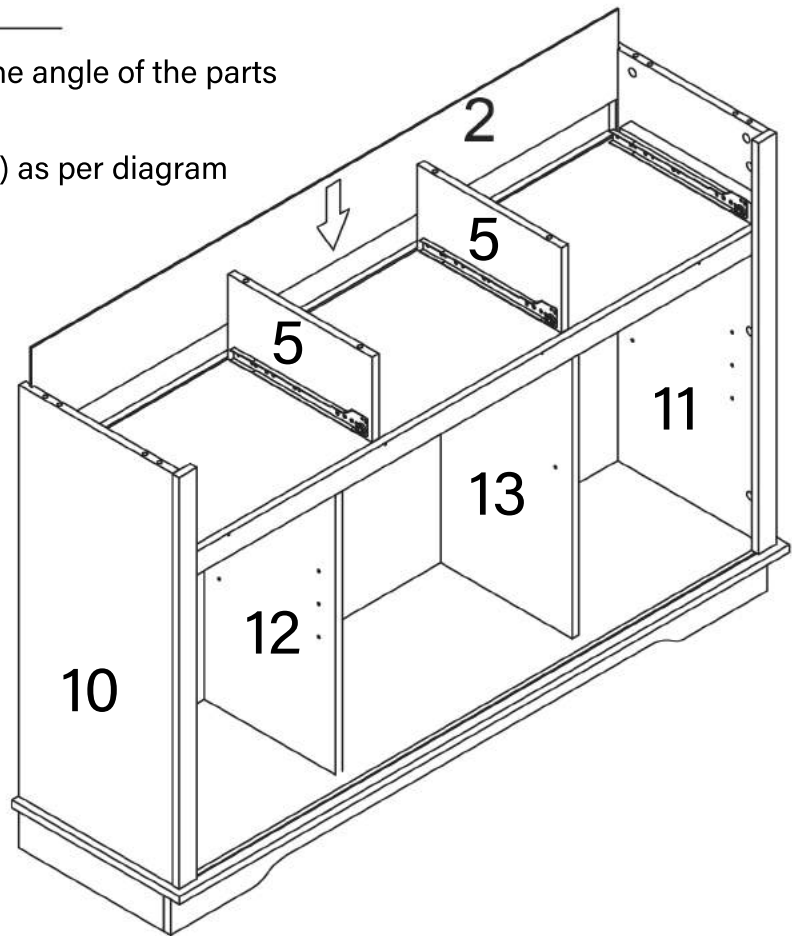
Attach part (21,22,23) to part 20 through bolt (A) and dowel (C)

Insert and secure cam lock (B) to part (21,22,23) to lock part 20



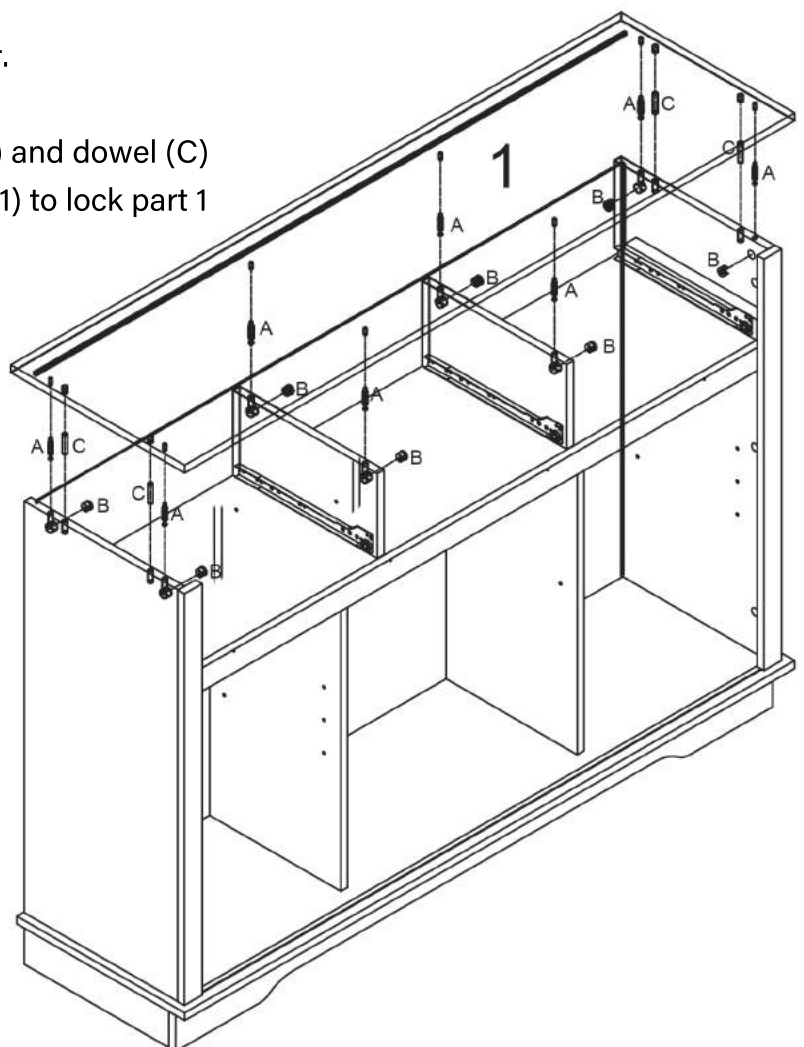
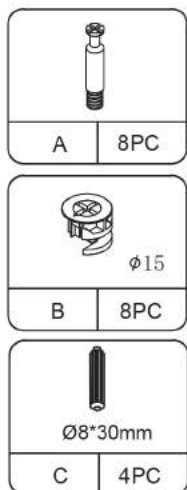
# STEP 14

Please refer to the picture to arrange the angle of the parts  
Stand up the whole bar cabinet  
Slide part 2 into grooves of part (5,10,11) as per diagram





# STEP 15

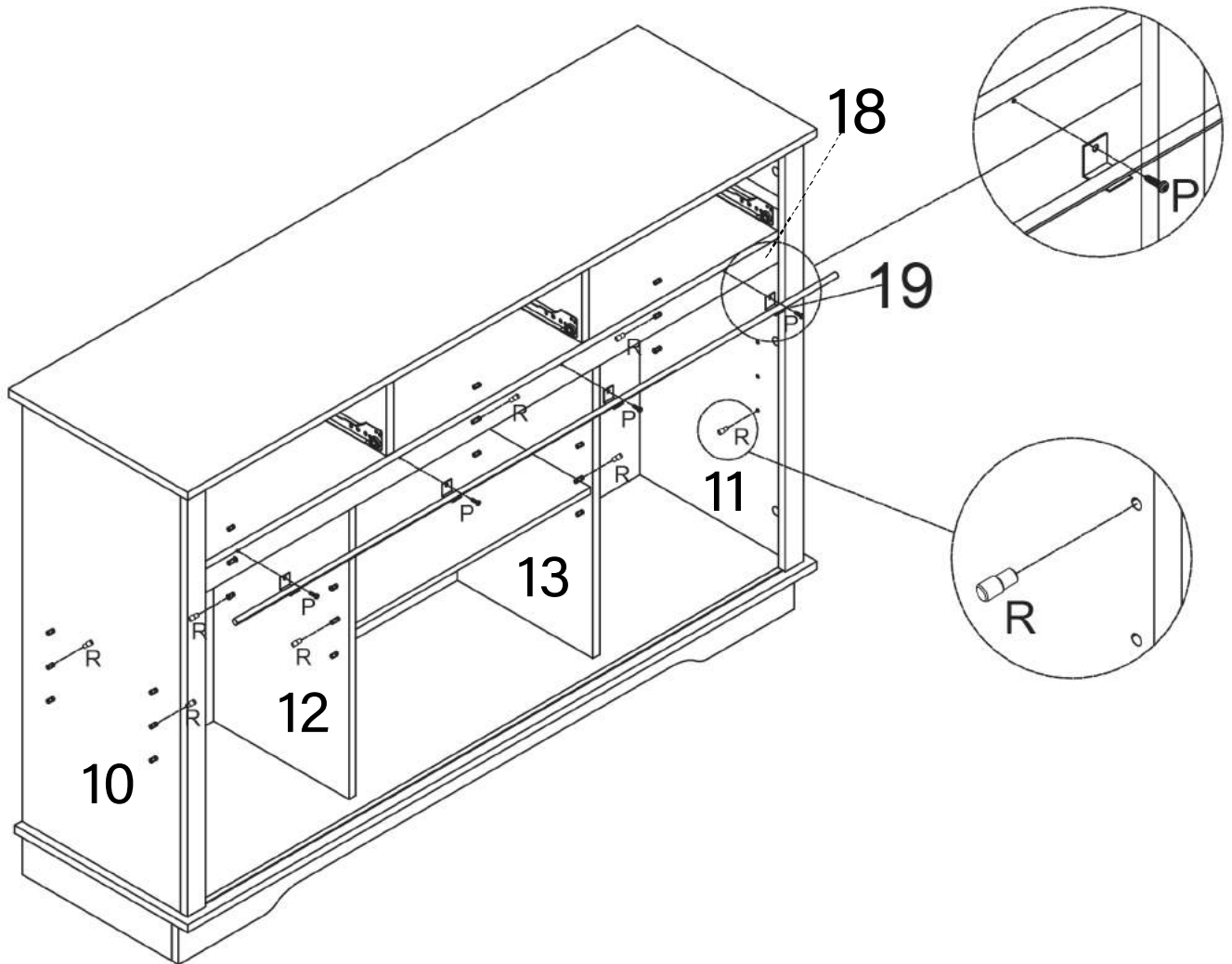
Insert cam bolt (A) to part 1 with screwdriver.  
Insert dowel (C) into part (10,11)  
Attach part 1 to part (5,10,11) through bolt (A) and dowel (C)  
Insert and secure cam lock (B) to part (5,10,11) to lock part 1



# STEP 16

Attach part 19 to part 18 through screw (P)  
Insert shelf support pin (R) to part (10,11,12,13)

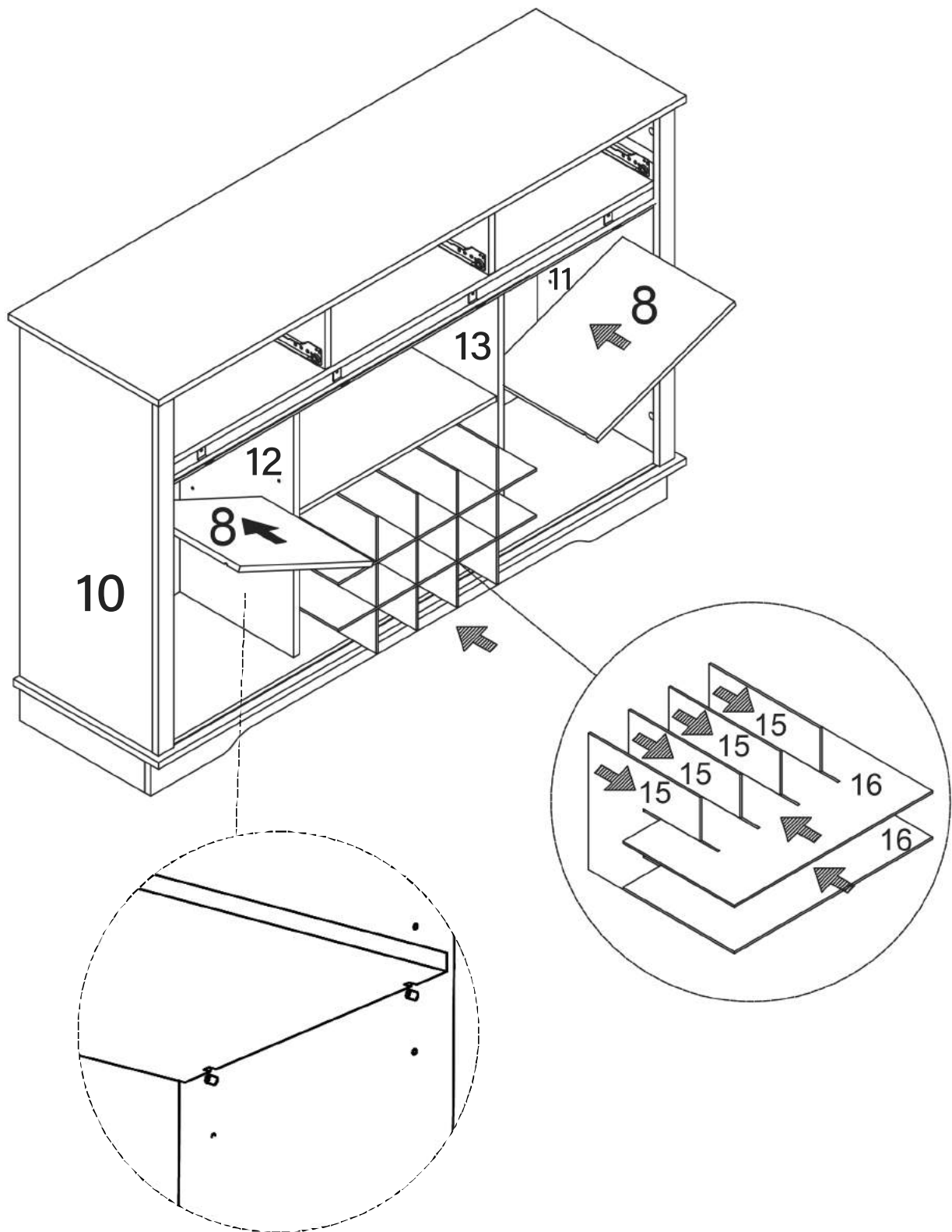
 ø4*14mm			
P	4PC	R	8PC



# STEP 17

Insert part 8 horizontally between part (10,12) and part (11, 13)

Cross 4 part 15 and 2 part 16 together and place them between parts (12, 13)



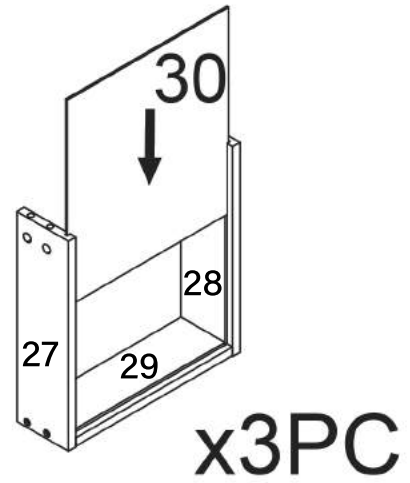
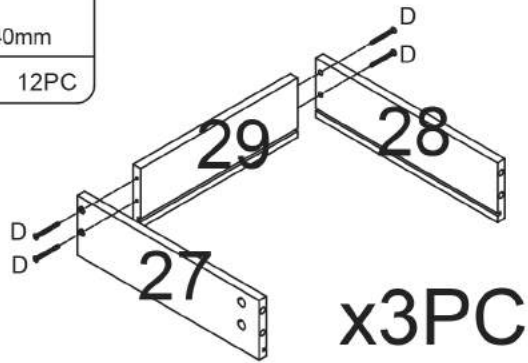
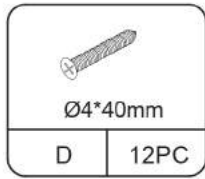
# STEP 18

Attach part (27,28) to part 29 through Screw (D)

This step is a total of 3 times

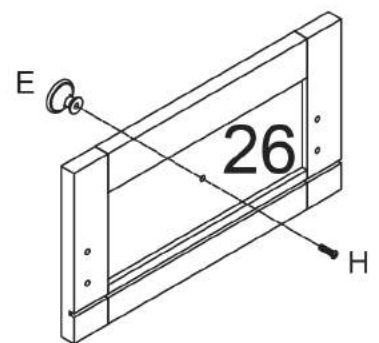
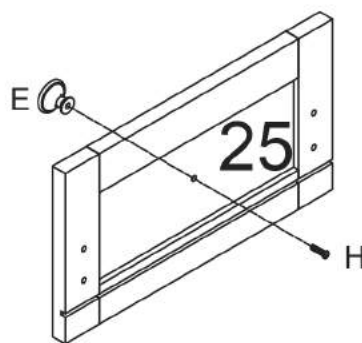
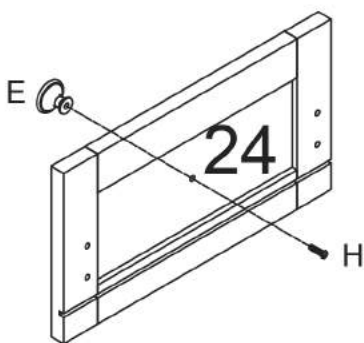
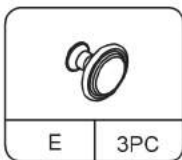
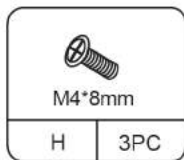
Slide part 30 into grooves of part (27,28) as per diagram

This step is a total of 3 times



# STEP 19

Attach part (E) to part (24,25,26) through screw (H)

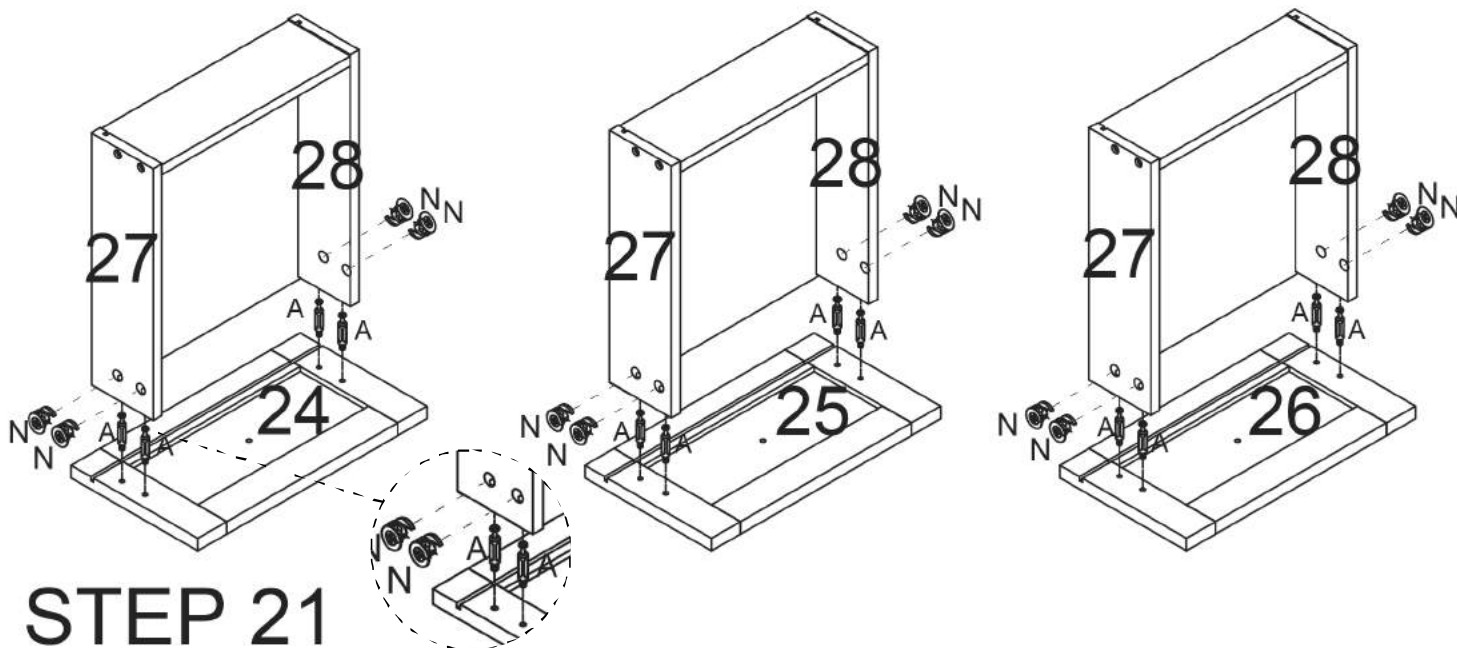
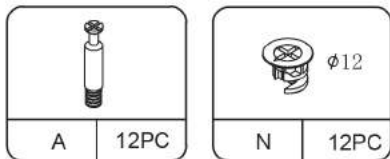


# STEP 20

Insert cam bolt (A) to part (24,25,26) with screwdriver

Attach part (24,25,26) to part (27,28) through bolt (A)

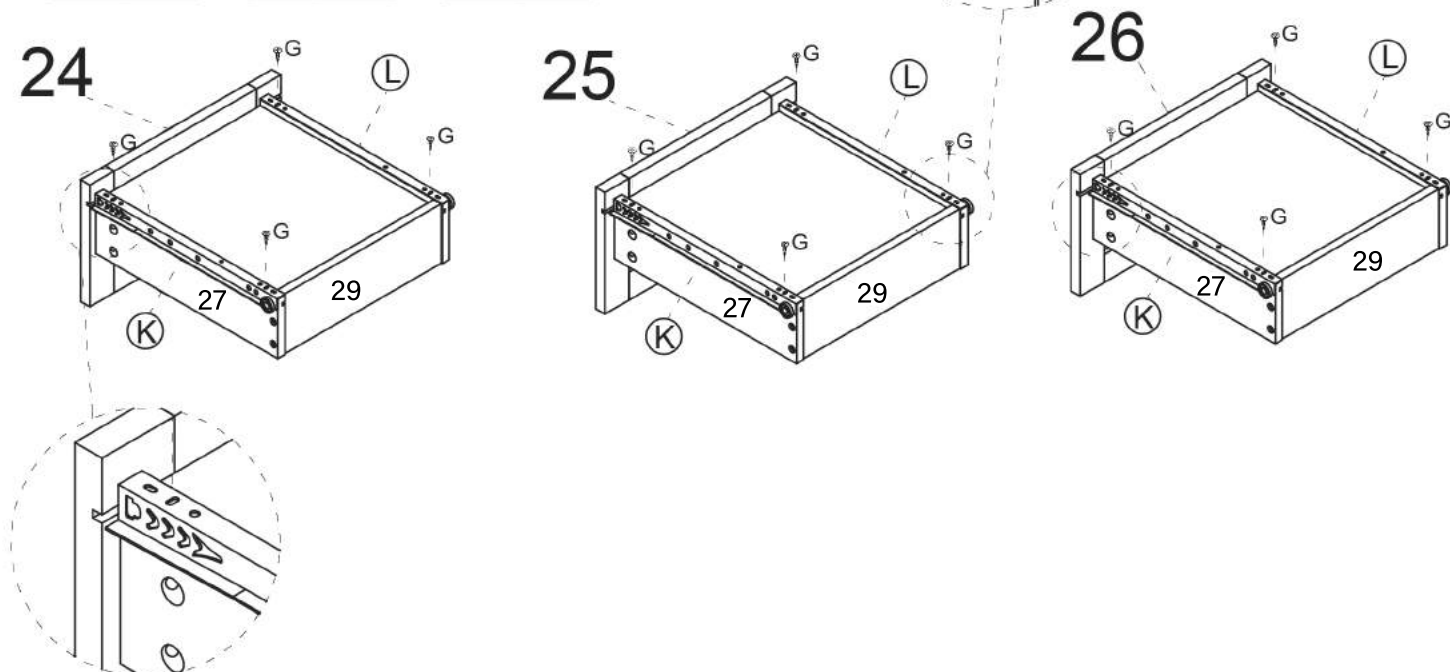
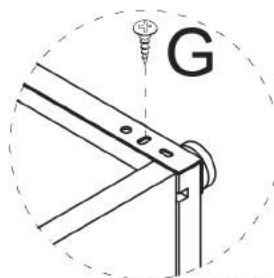
Insert and secure cam lock (N) to part (27,28) to lock part (24,25,26)



# STEP 21

Attach part (K, L) to part (27,28) through screw (G)

This step is a total of 3 times

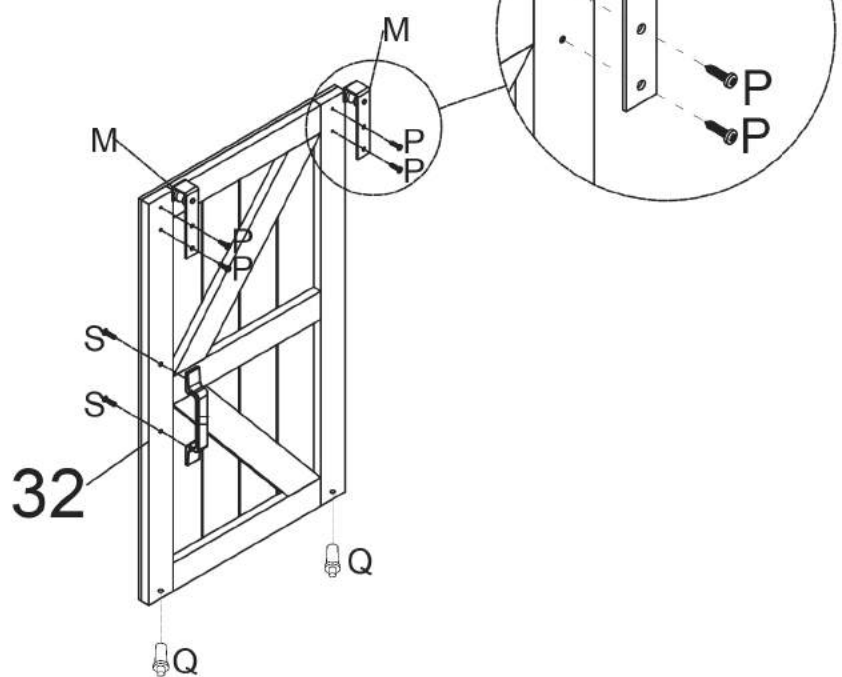
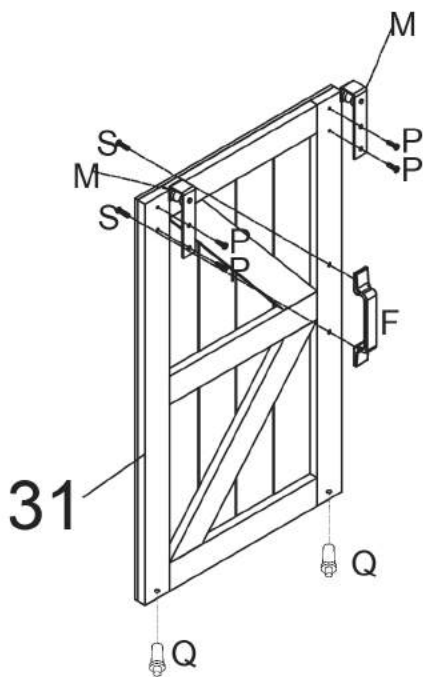
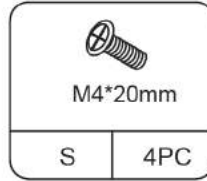
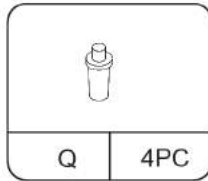
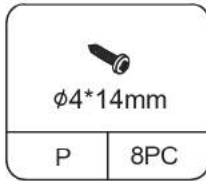
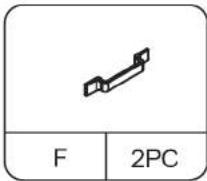
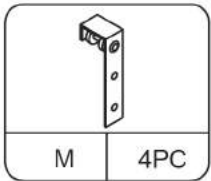


# STEP 22

Attach handle (F) to part (31,32) through bolt (S)

Attach part (M) to part (31,32) through screw (P)

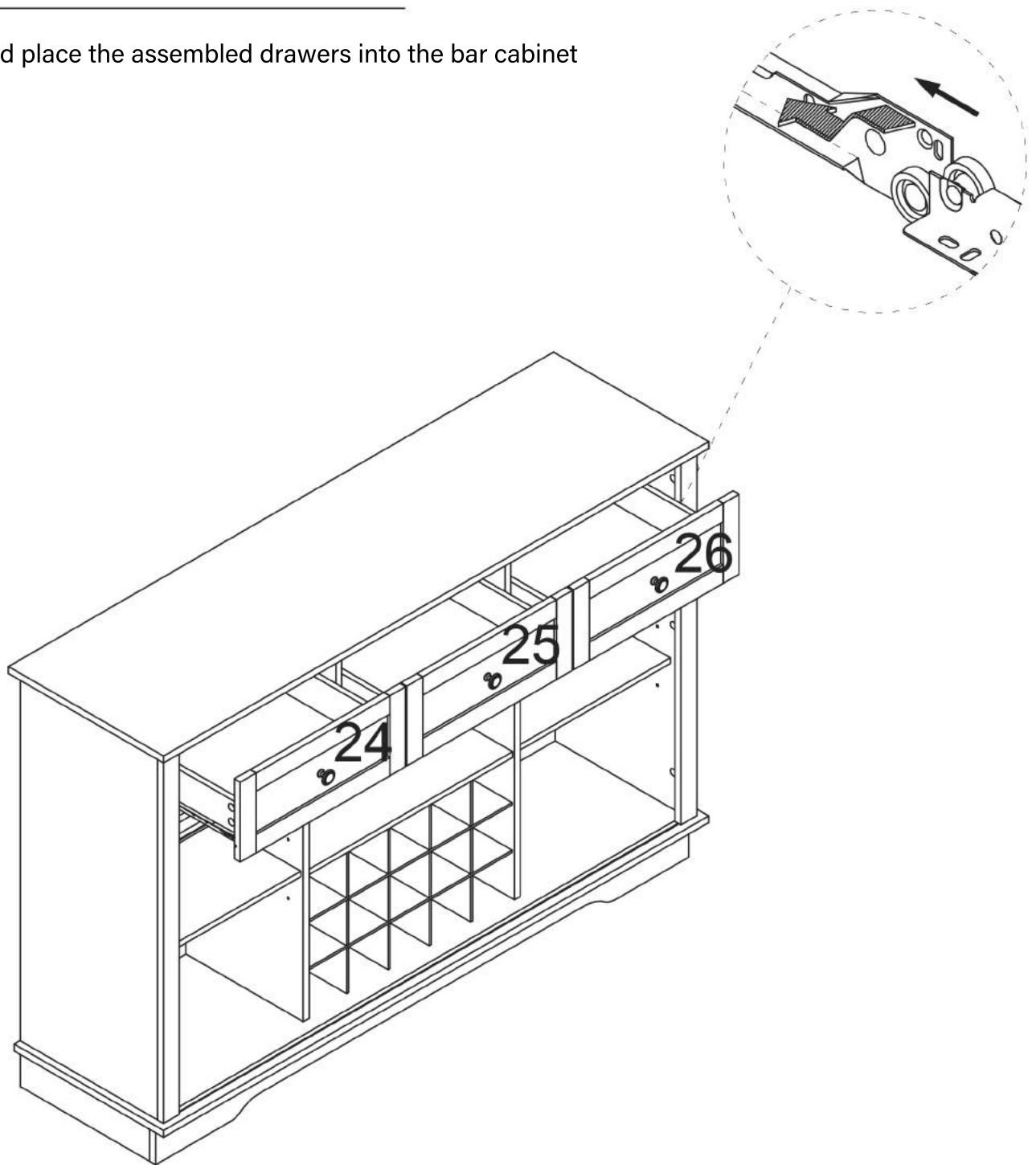
Fix door support pin (Q) onto part (31,32)



# STEP 23

---

Link and place the assembled drawers into the bar cabinet



# STEP 24

---

Place the assembled pulley of the sliding barn door (31,32) on top of the part 19 of the bar cabinet

