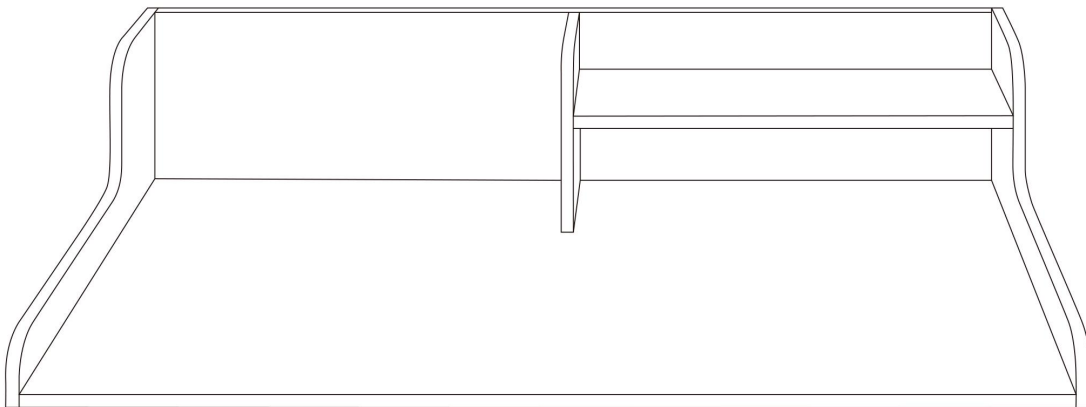


KABOON

Kaboon FlexiMax Countertop Assembly Manual

Model: KBC5828FLEX
V 1.0



Thank you for choosing KABOON! We always focus on product improvement and service upgrades. Should you have any issues or suggestions, please don't hesitate to contact us at below email and we will reply in 24hours.

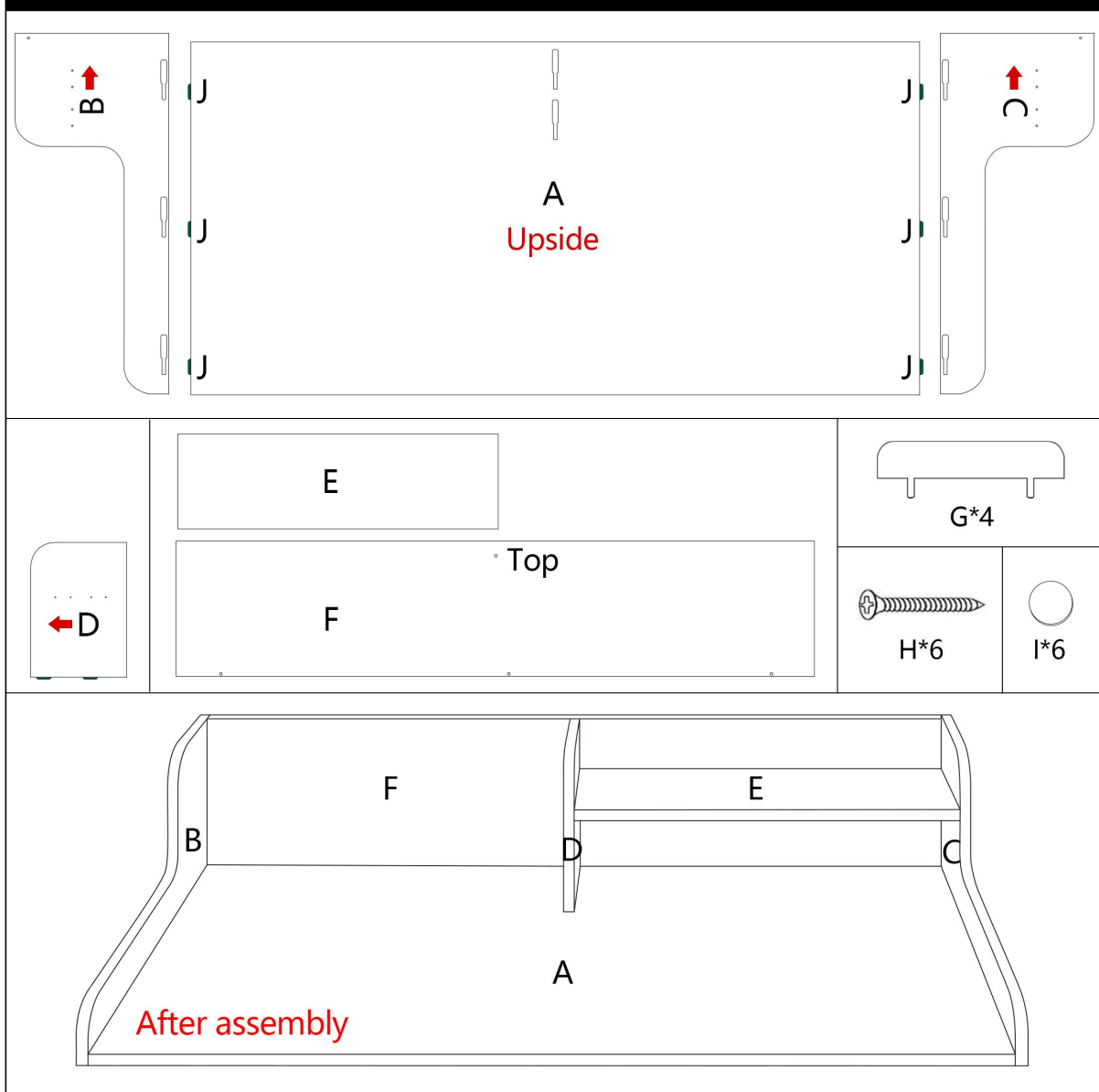
support@kaboondesk.com

www.kaboondesk.com
Instagram: [@kaboondesk](https://www.instagram.com/kaboondesk)
Facebook: [@Kaboon](https://www.facebook.com/Kaboon)

IMPORTANT SAFETY INFORMATION

- Check package contents against supplied parts and hardware list to ensure all parts were received in good condition. If you require replacement parts, please get in touch with Kaboon customer service.
- Carefully read all instructions before attempting installation. Please contact Kaboon customer service if you have any concerns or questions.
- To provide the best service to you, do not forget to register your Kaboon product to confirm your warranty. It only takes a few simple steps and then you can access a wide range of services such as technical support, new product alert, promotions, and warrant services from Kaboon. Send our name and order ID to support@kaboondesk.com.

SUPPLIED PARTS



STEP 1

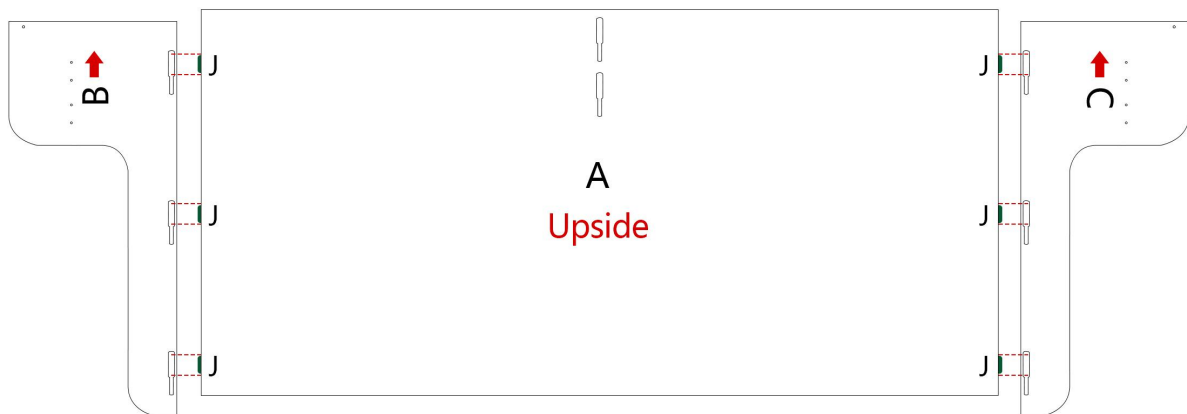
Parts: BoardA×1, BoardB×1, BoardC×1, BoardD×1
Tool: Hammer

1.1 Prior to commencing the assembly process, it is imperative to verify the precise positioning of each wooden component as follows:

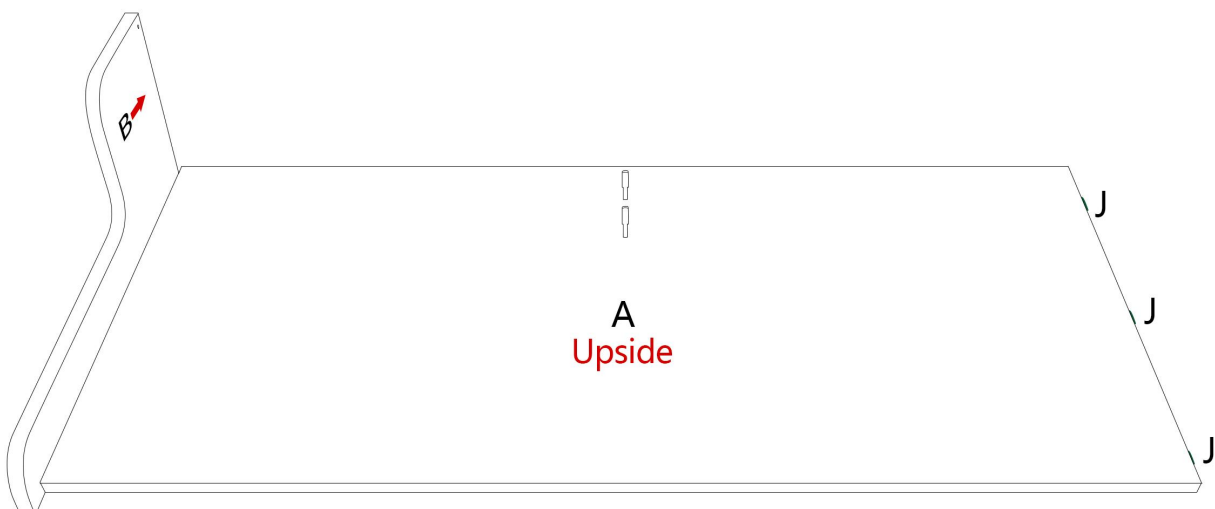
Confirm that the label "Upside" is oriented correctly upwards.

Please make sure that the connector (J) has been knocked to the bottom first.

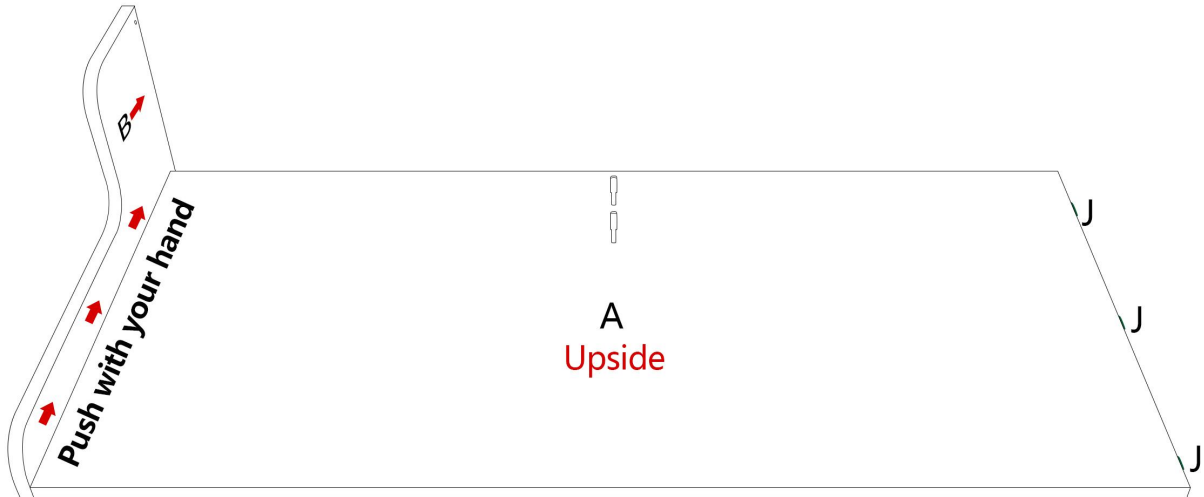
If not, carefully tap it to facilitate its fixation onto the main board.



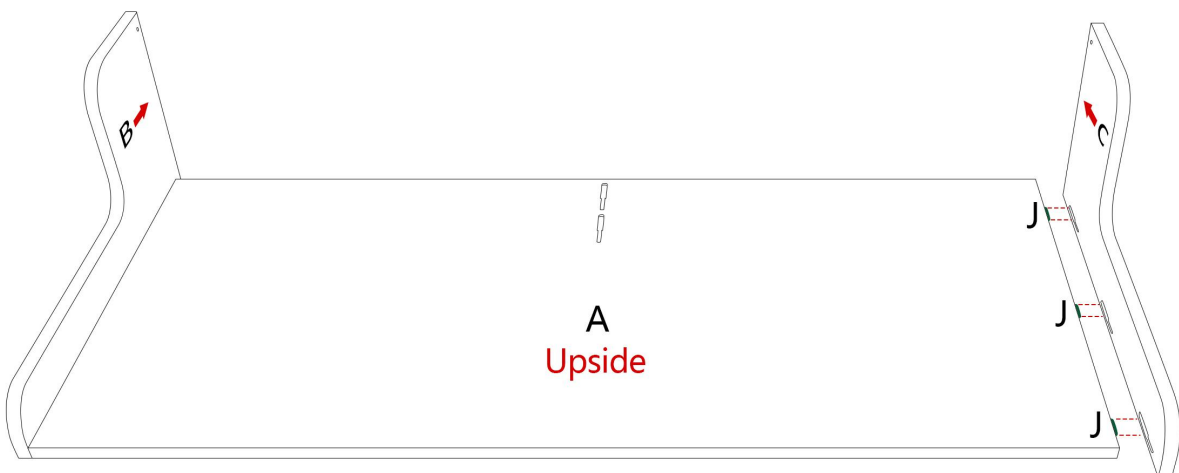
1.2 Take board (B) and insert the connections (J) attached to board (A) into the larger slots on board (B).



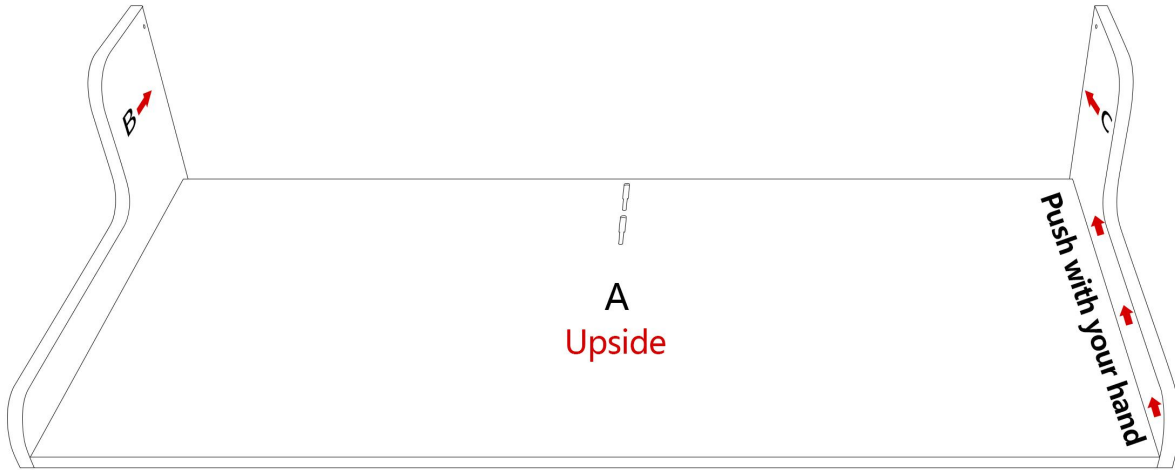
1.3 Push board (B) and let connections (J) slide from the larger slots to the smaller slots until get stuck, and let board (B) just sit on the edge of board (A). If sliding becomes difficult, gently tap board (B) with a hammer as needed but AVOID applying excessive force.



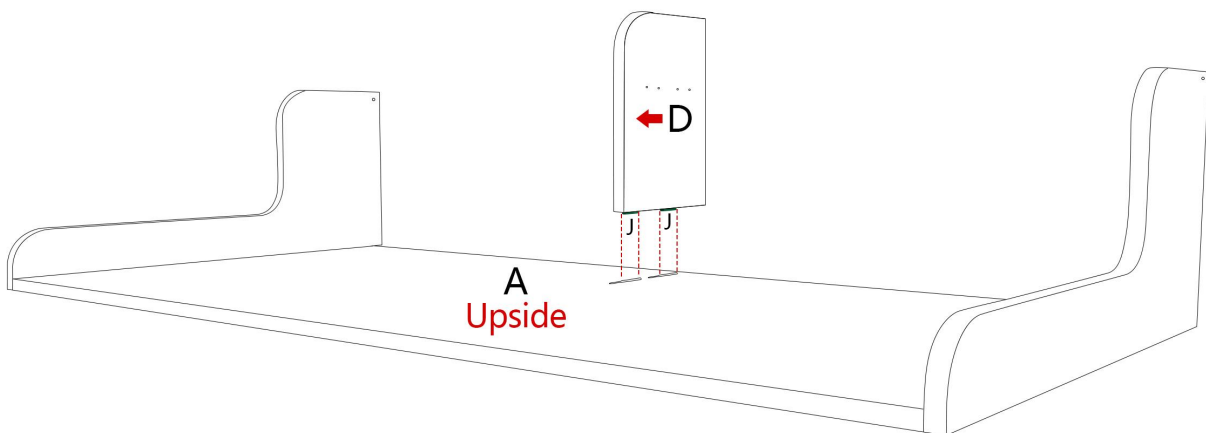
1.4 Take board (C) and insert the connections (J) attached to board (A) into the larger slots on board (C).



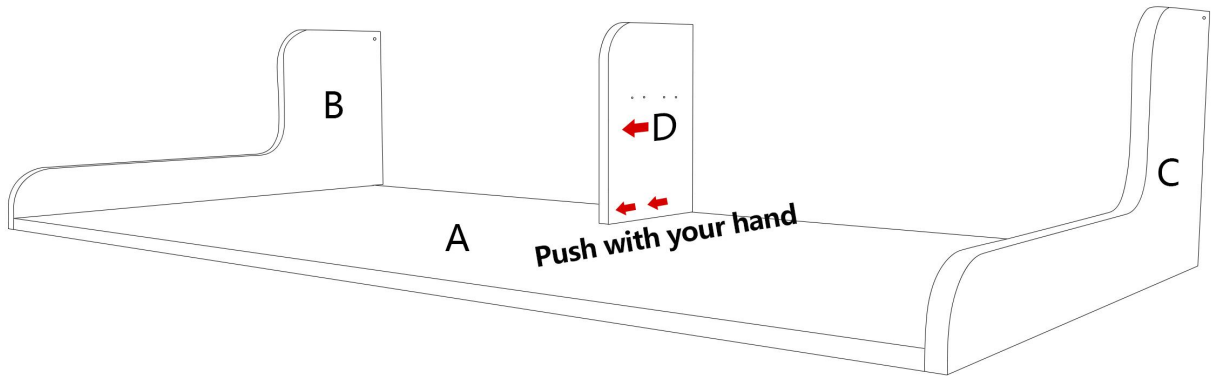
1.5 Push board (C) and let connections (J) slide from the larger slots to the smaller slots until get stuck, and let board (C) just sit on the edge of board (A). If sliding becomes difficult, gently tap board (C) with a hammer as needed but AVOID applying excessive force.



1.6 Install the middle board (D) by inserting the connections (J) attached to board (D) into the larger slots in the middle of board (A).



1.7 Push board (D) and slide the connections (J) from the larger slots into the smaller slots until they lock in place, allowing board (D) to rest on the middle section of board (A). If sliding becomes difficult, gently tap board (D) with a hammer as needed, but AVOID applying excessive force.

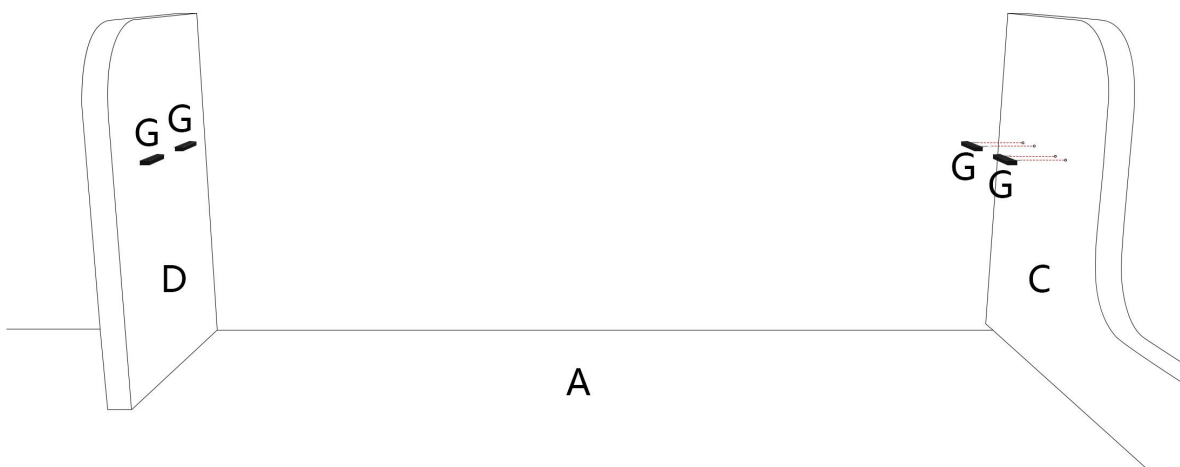


STEP 2 Parts: Board E×1, G×4
Tool: Hammer

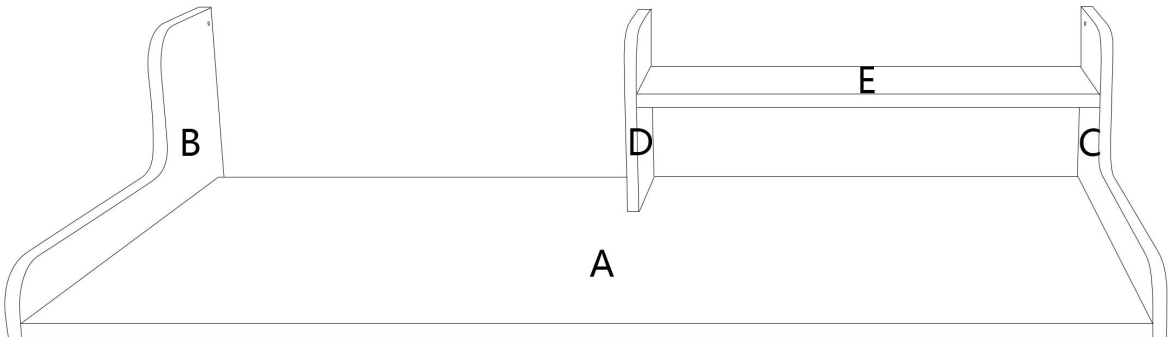
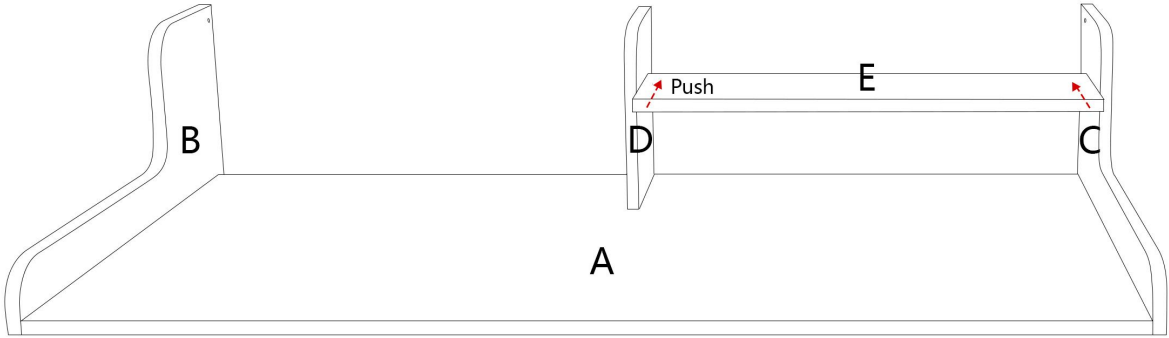
Before installing the black connectors, please confirm whether you want to install board E on the left or right side—both options are possible.

The following instructions use the right side as an example.

2.1 Attach the black connectors (G) to the pre-drilled holes on both the right edge of board D and the left edge of board C.

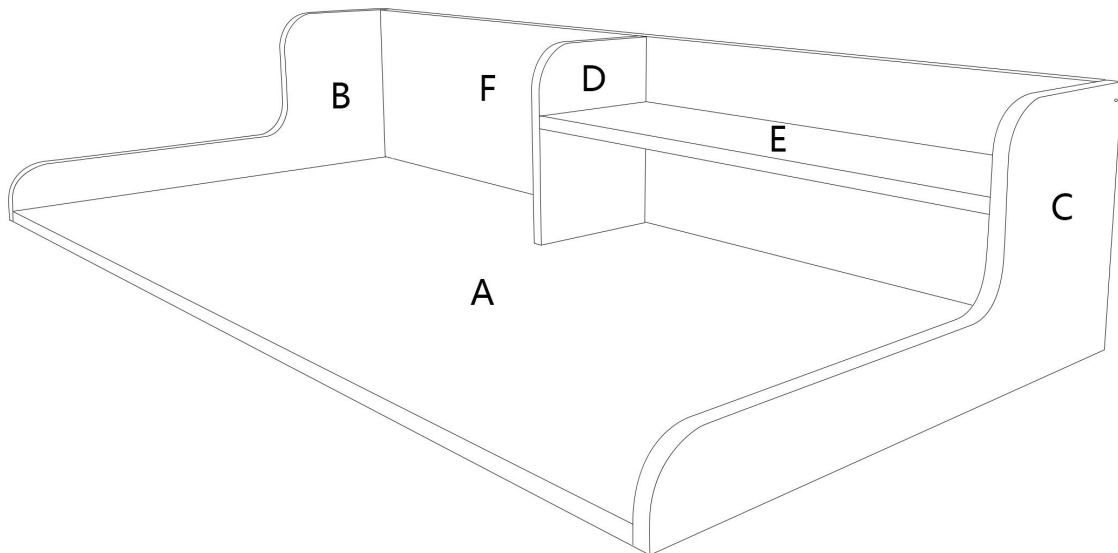
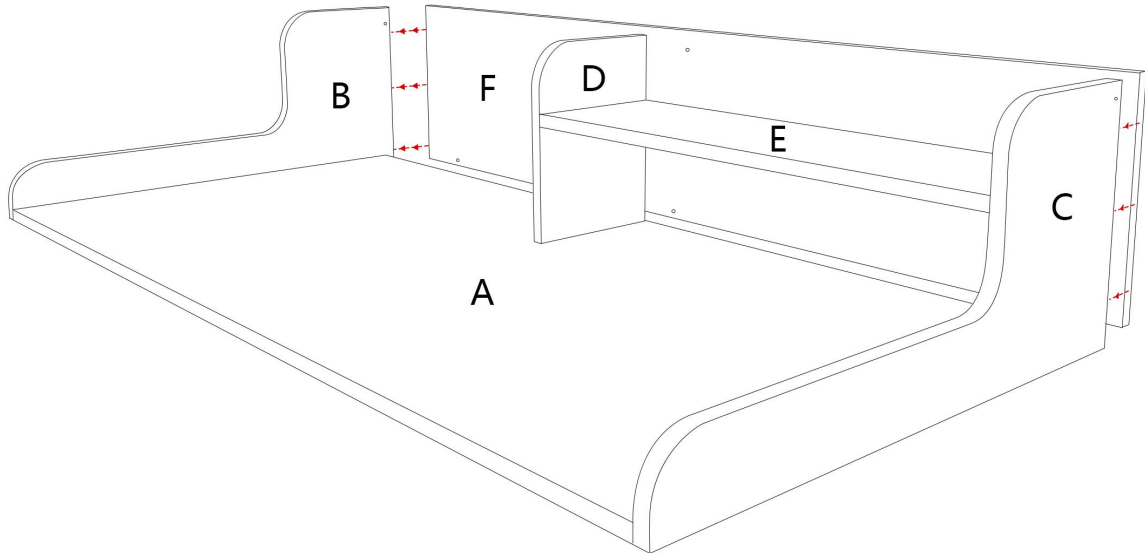


2.2 Take board E and align the slot openings on its edge with the black connectors (G). Slowly slide board E into place until it is fully inserted.

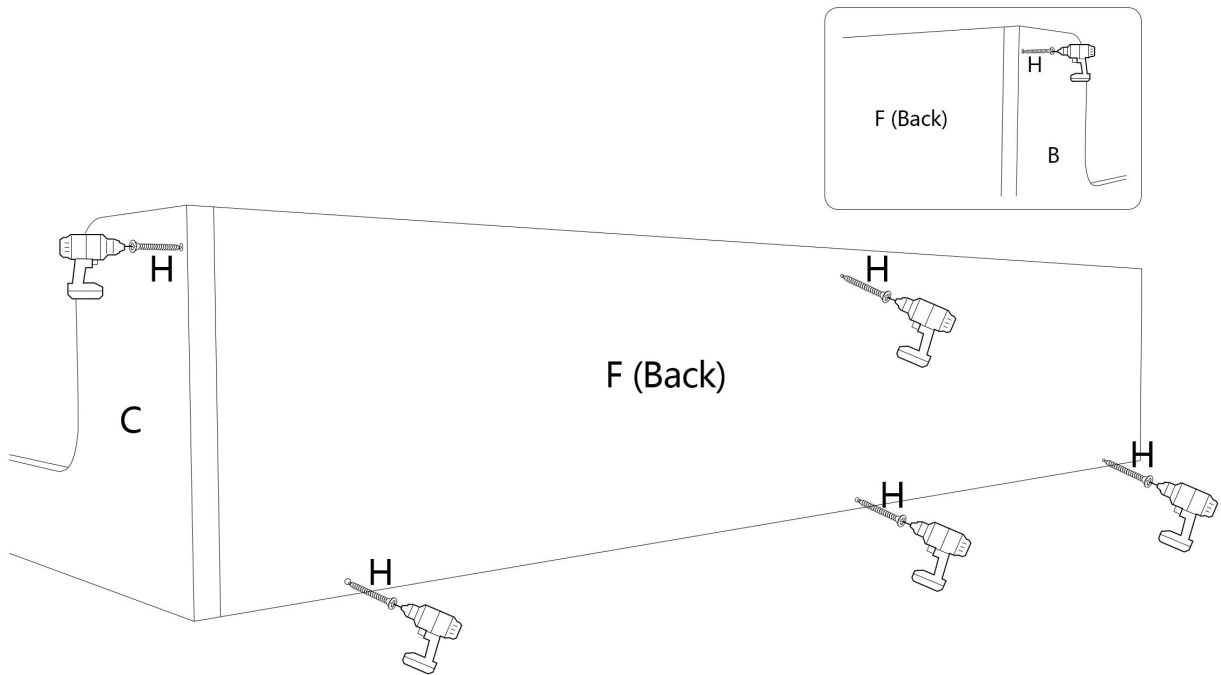


STEP 3 Parts: Board F×1, H×6, I×6
Tool: Electric Drill

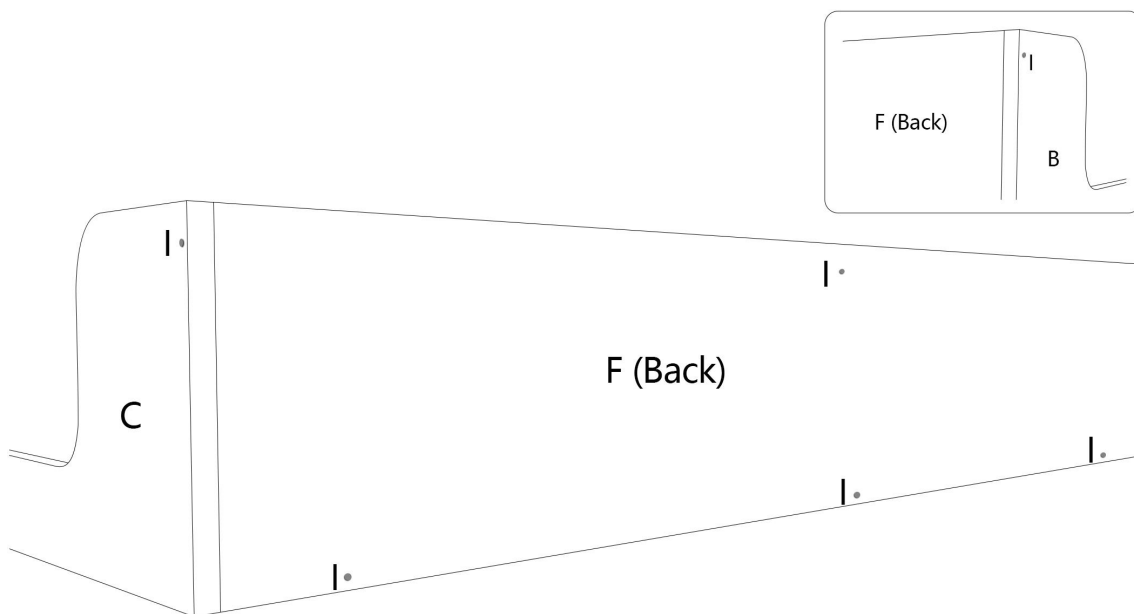
3.1 Place board F to cover the back as shown in the illustration.



3.2 Secure panel F utilizing the supplied screws as illustrated. There are a total of 6 elongated screws corresponding to 6 pre-drilled orifices: 4 located at the rear and 2 positioned on the flank to fasten both the rear and lateral boards securely in place.

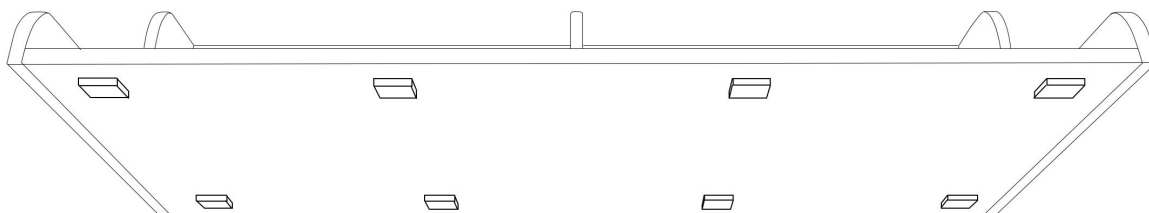


3.3 For a neater finish, affix screw caps (I) onto the screw hole.

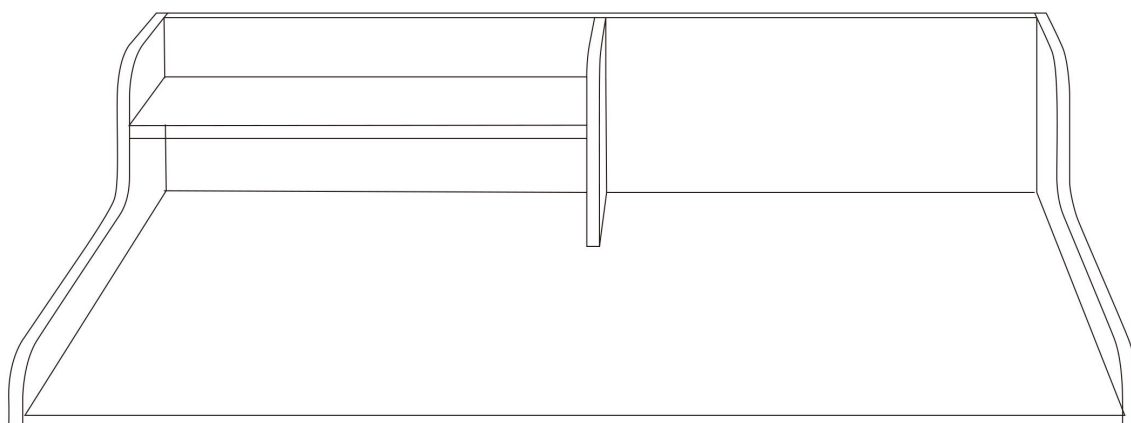
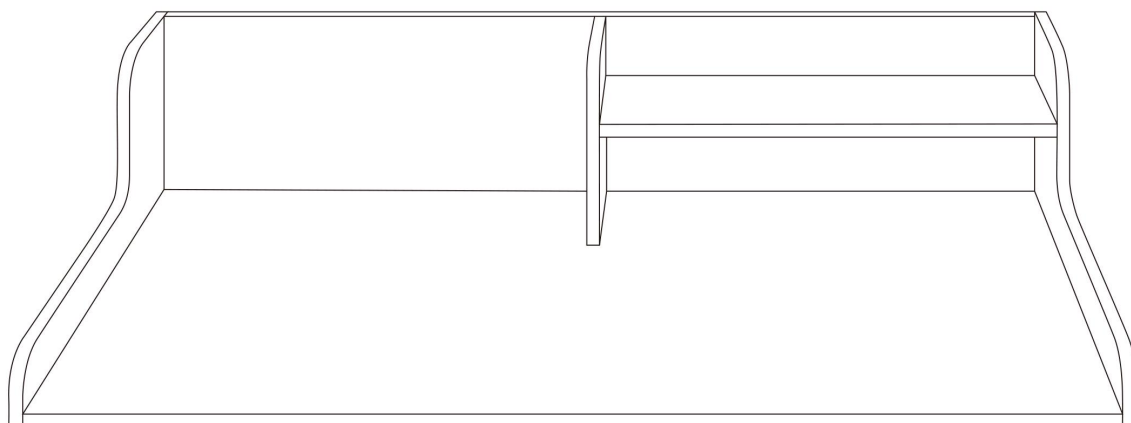


STEP 4 Parts: Anti-Slip Pad×8

Placing Scotch Anti-Slip Pads under each corner keeps the countertop in place with no slipping.



TWO METHODS OF INSTALLATION



Esteemed client,
Thanks for choosing Kaboon!

We maintain a firm conviction that your interaction with our furniture will be delightful, granting you enduring practicality and elegant style.

To ensure the product stays looking its best, we recommend the following daily care tips:

- Wipe it regularly with a soft, damp cloth to remove dust or debris.*
- Avoid using abrasive or harsh chemicals to clean it, as this can damage the MFC surface.*
- Do not expose the product to extreme temperatures or humidity for a long time.*

*To provide the best service to you, do not forget to register your Kaboon product to confirm your warranty. It only takes a few simple steps and then you can access a wide range of services such as technical support, new product alert, promotions, and warranty services from Kaboon. Send your name and order ID to **support@kaboondesk.com**.*

We hope that your enjoyment of utilizing our product aligns with your expectations.

Should queries or apprehensions arise, kindly reach out to us without hesitation.

Sincerely,

Kaboon Team