

artos[®]

F902-1

INSTALLATION GUIDE

shower arm wall mount rnd

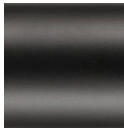
BRUSHED NICKEL(BN)



CHROME(CH)



BLACK(BK)



artos[®]

F902-1

OPERATING SPECIFICATIONS

shower arm wall mount rnd



INLET/OUTLET

1/2" Male NPT- Wall Connections

APPROVALS

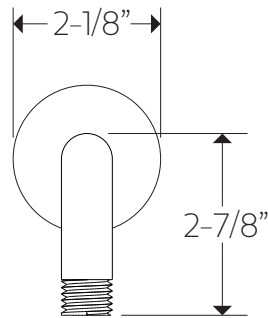
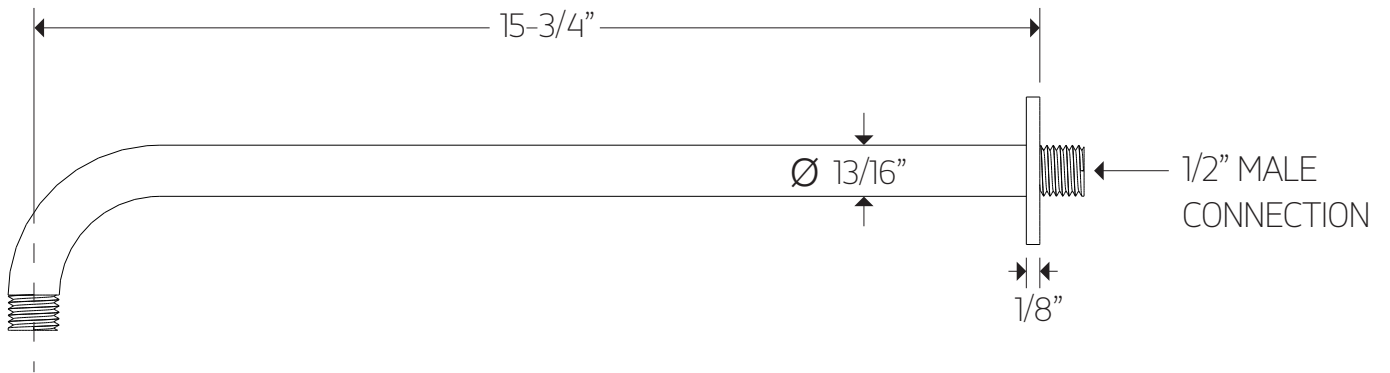


artos[®]

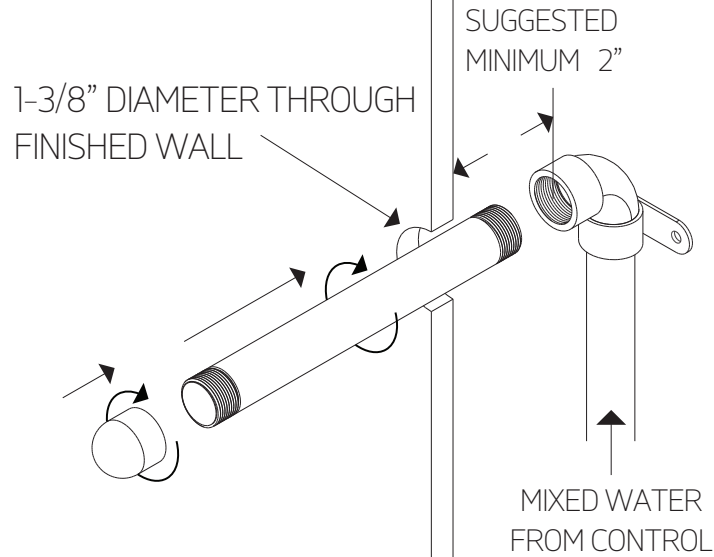
F902-1

PRODUCT DIMENSIONS

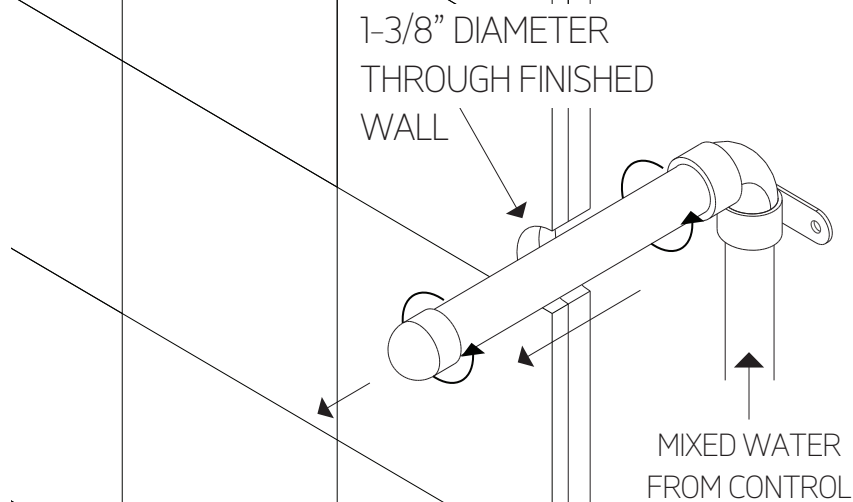
shower arm wall mount rnd



STEP 1

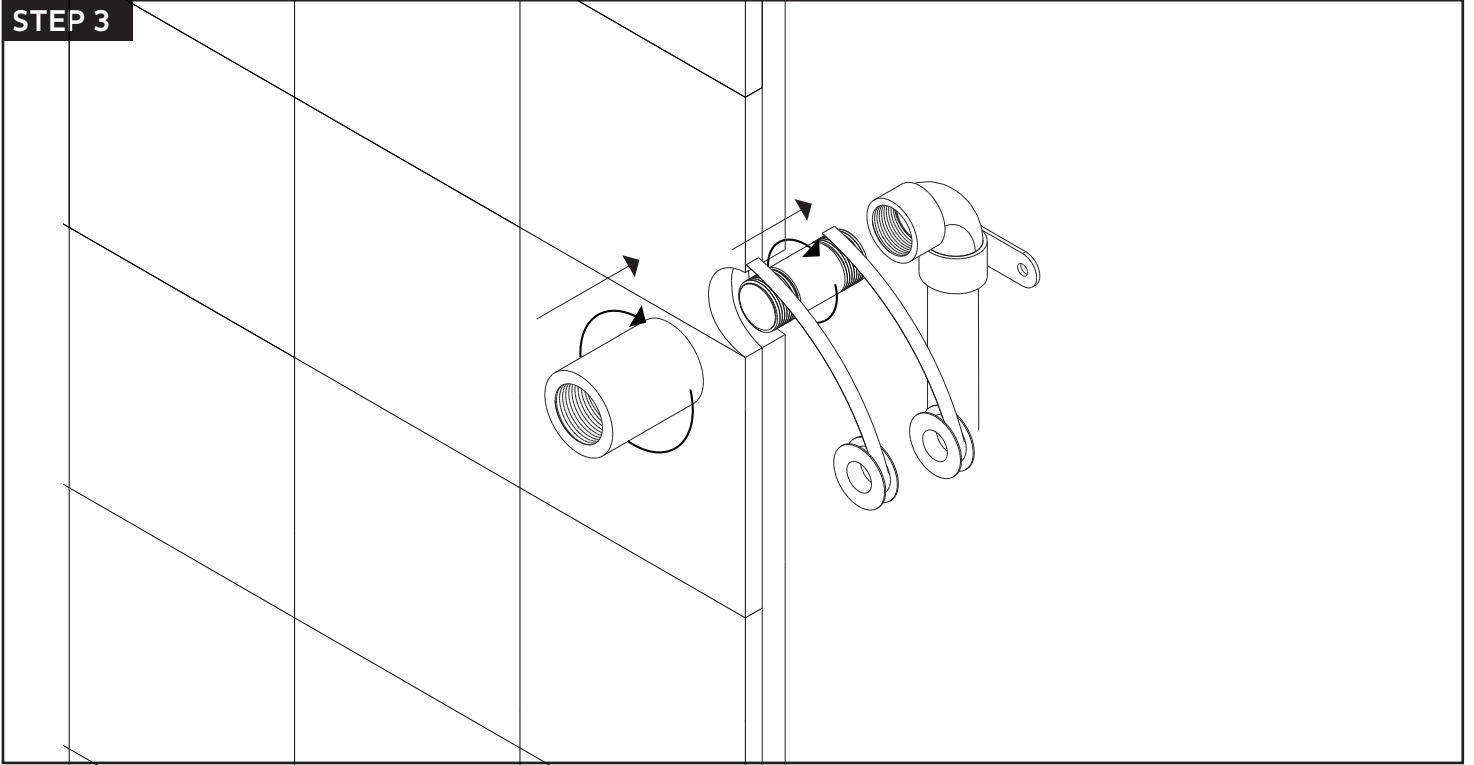


STEP 2

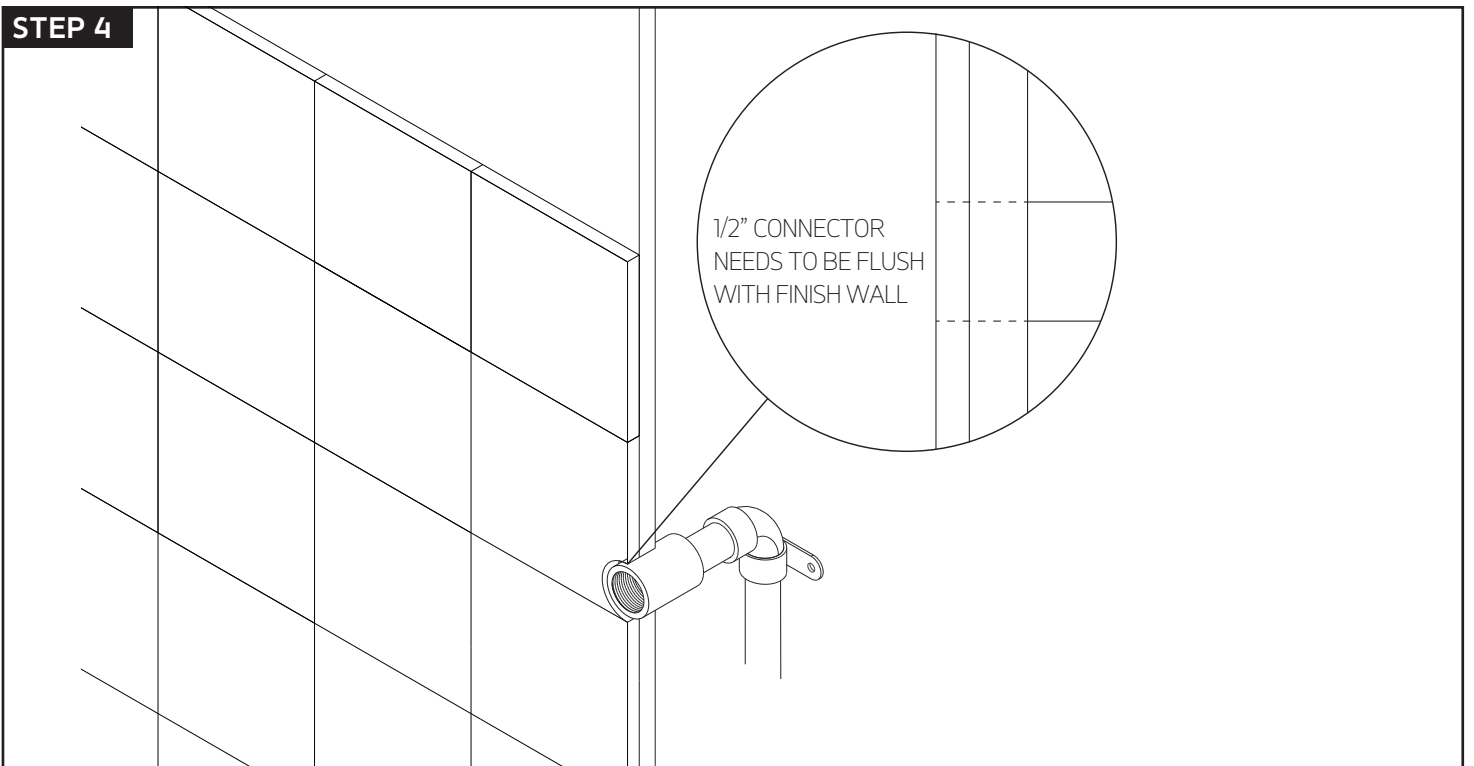


INSTALLATION STEPS

STEP 3



STEP 4

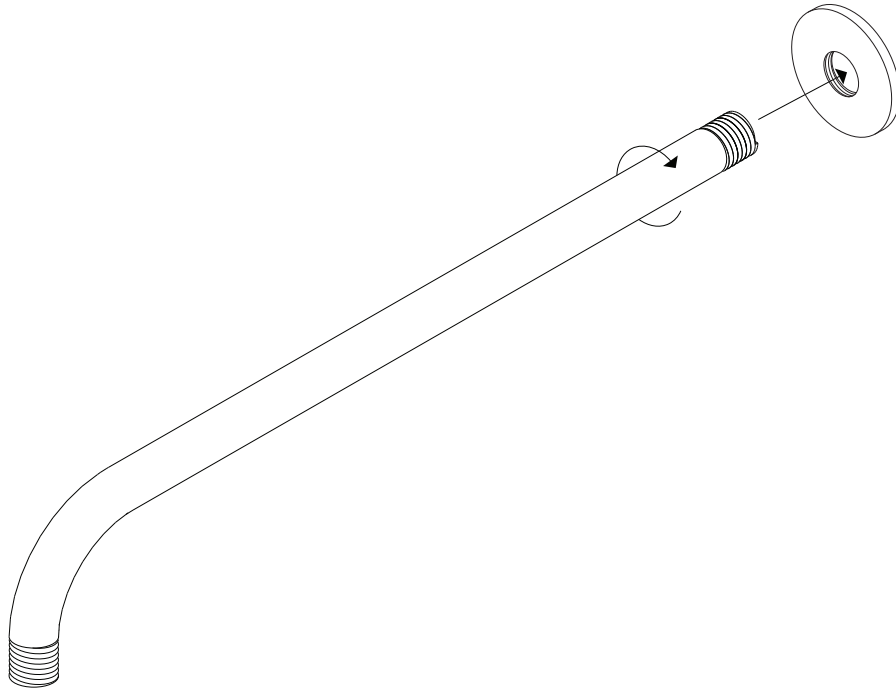


artos[®]

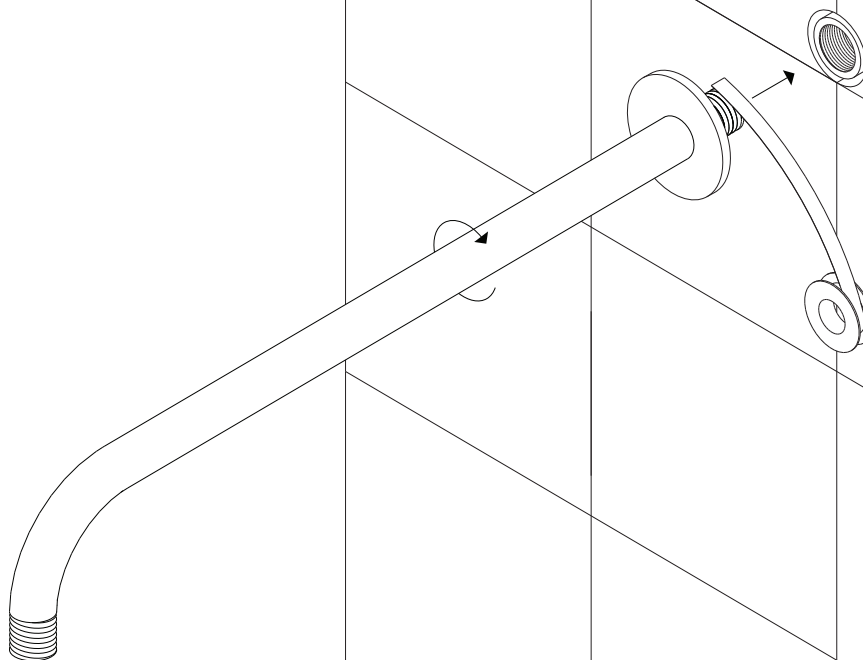
F902-1

shower arm wall mount rnd

STEP 5

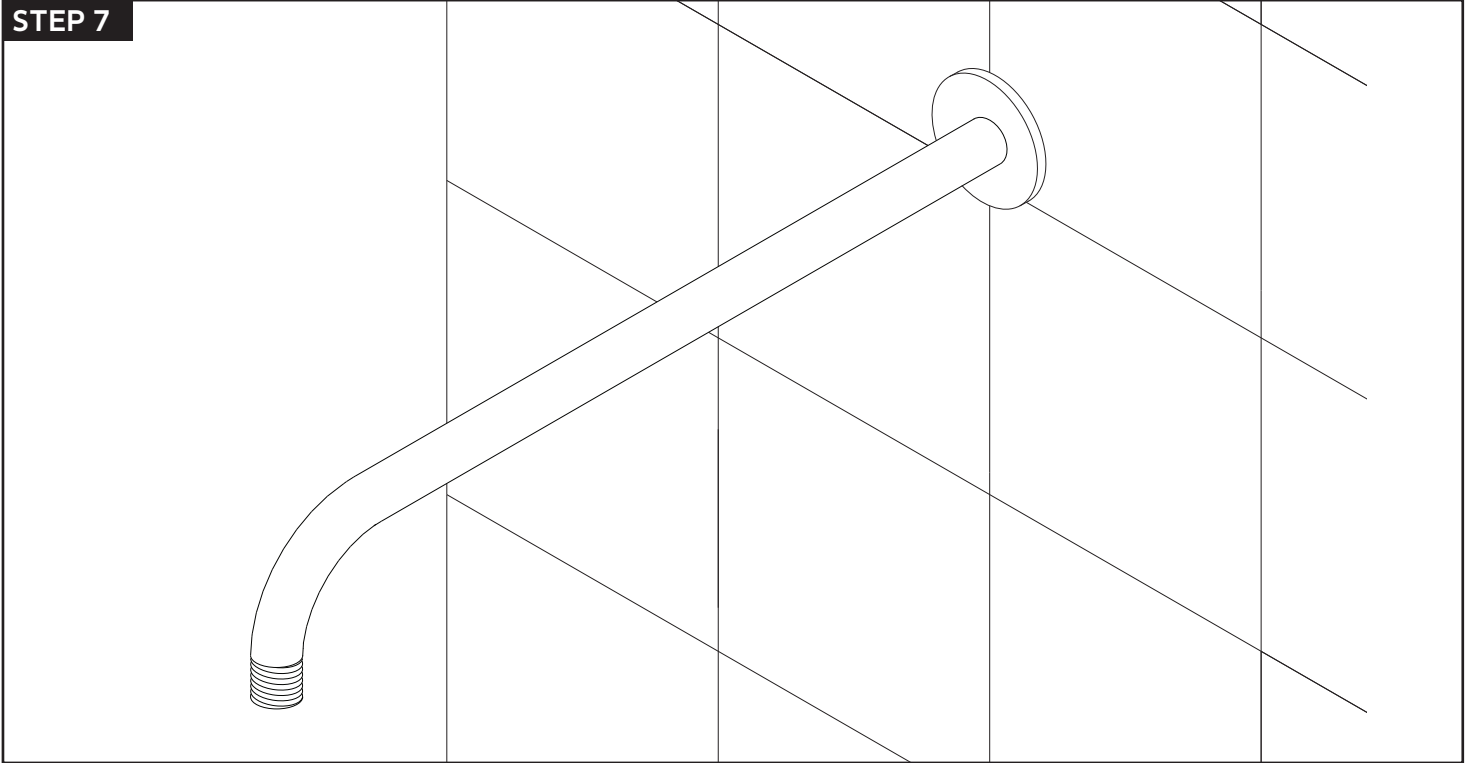


STEP 6



INSTALLATION STEPS

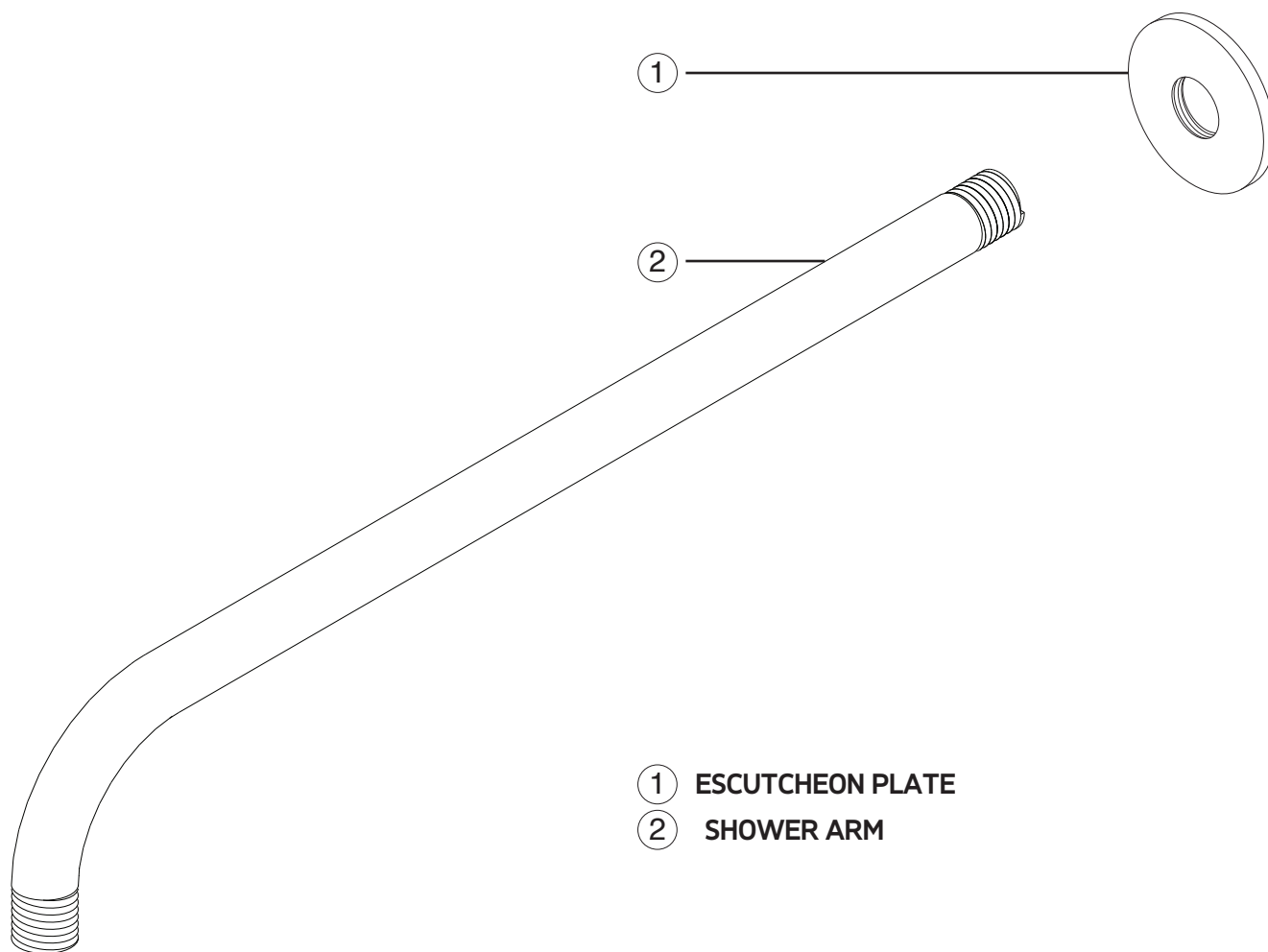
STEP 7



artos[®]

F902-1

shower arm wall mount rnd



- ① ESCUTCHEON PLATE
- ② SHOWER ARM