

**72" BOLERO
COPPER DOUBLE
SLIPPER TUB**

Cat. No.
COTDSN72S-AC



L: 72"
W: 32"
H: 29-1/2"

Rim: 2-5/8" W
Water depth: 17-3/4" to top of tub

The following is recommended for COTDSN tubs without faucet holes:

- Faucet: **Part# 4602, 4604**
- Freestanding bath supplies: **Part# 4502**
- Leg tub drain: **Part# 5599LT or 5599TS**



Overflow can be drilled. With overflow drilled this tub requires drain **5599E**. **Tubs that have been drilled with overflow are "special order" and are not returnable.**

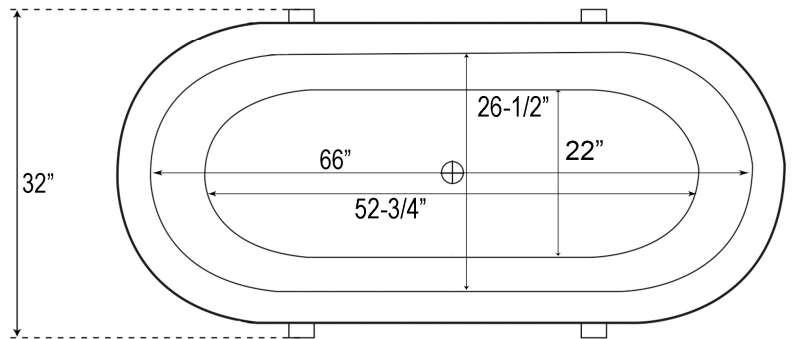
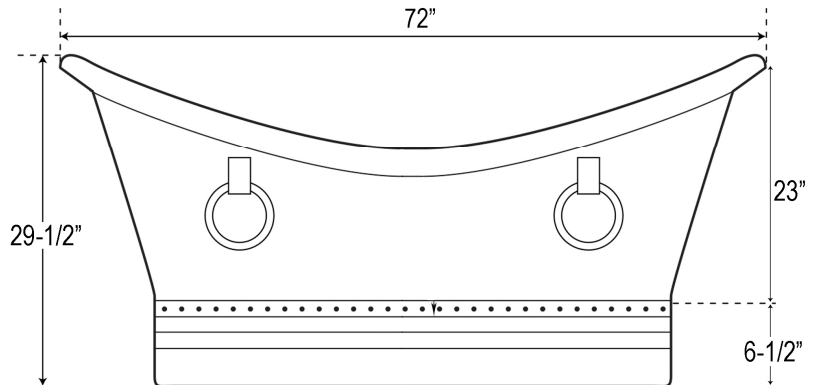
Gallon Capacity: 65
Shipping Weight: 235 lbs.
Empty Weight: 170 lbs.
Filled Weight: 713 lbs.

Features:

- ▶ Made of 16 gauge copper
(Copper is a living finish and will patina over time)
- ▶ Hammered antique copper inside and out
- ▶ Smooth rim and base
- ▶ Decorative hammered copper rings
- ▶ Hand polished
- ▶ Double Slipper
- ▶ Includes base
- ▶ No overflow
- ▶ No faucet holes

Tub Finishes:

AC Hammered Antique Copper



Dimensions and specifications subject to change without notice.

08/10/2018