

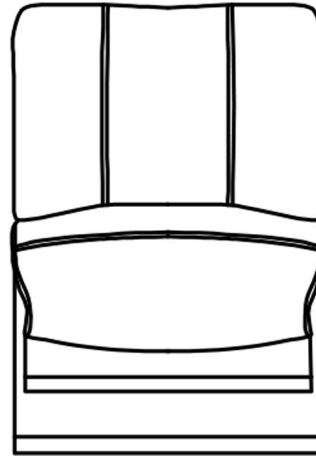
# User Manual

**See it - Feel it - Live it**

# Parts List

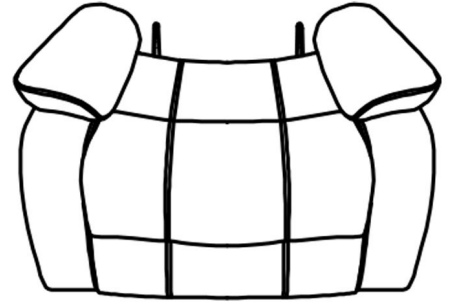


**A**



Backrest

**B**



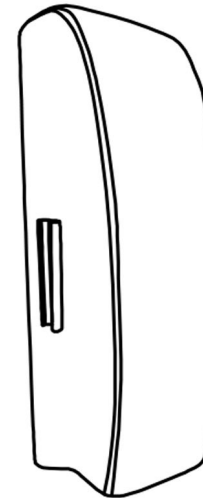
Seat Cushion

**C**

**1R**



**1L**

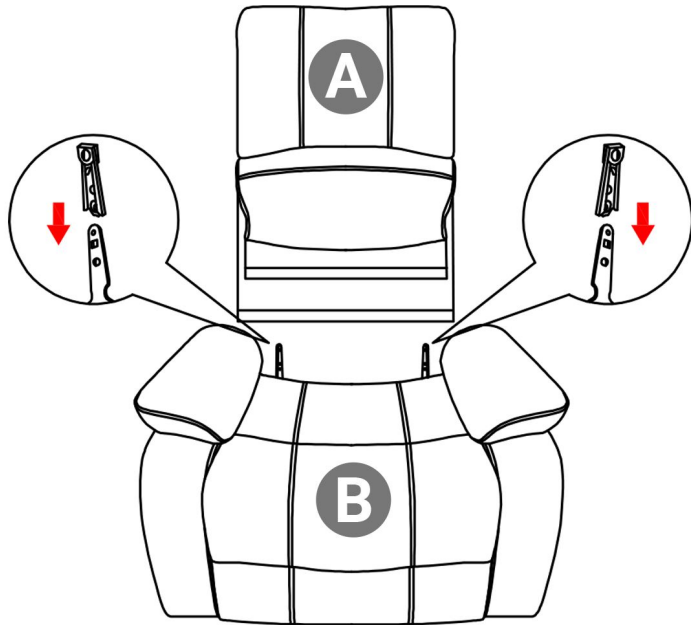


Back Armrest

# Assembly Instructions

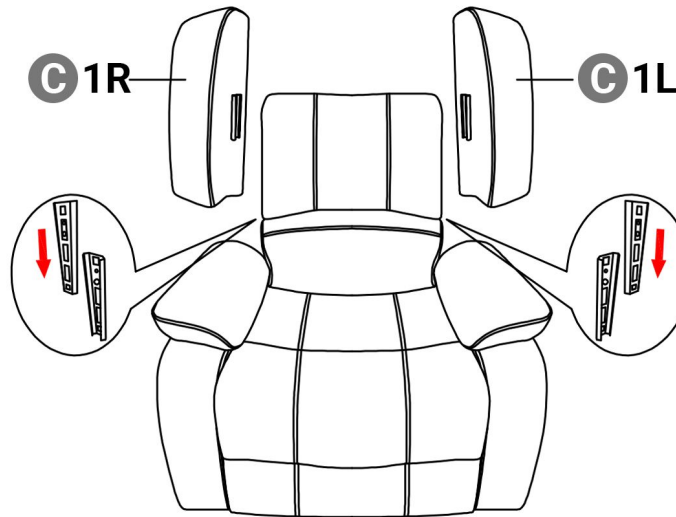
## STEP 1

Secure the backrest to the buckles behind the seat cushion



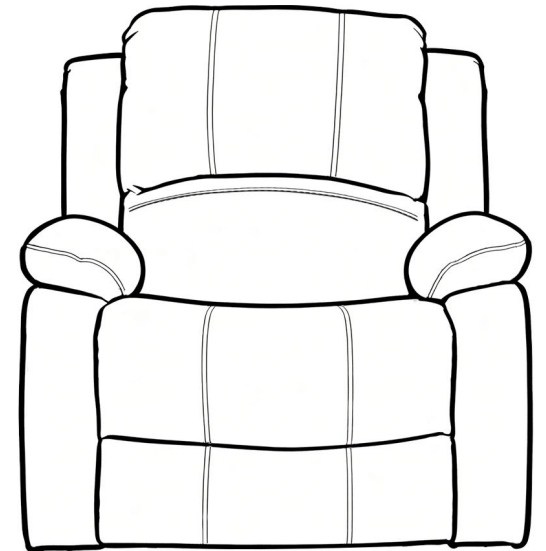
## STEP 2

Fasten the back armrest sides to the clips on both sides of the back armrest



## STEP 3

Installation Completed



# Maintenance instructions

## TO STORE:

Place unit in its box or safe, dry, cool place. Avoid contact with sharp edges or pointed objects which might cut or puncture the fabric. Do not wrap power cord around the unit. Do not hang the unit by power cord.

## TO CLEAN:

1. Do not place in any liquid to clean. Clean fabric cover by wiping with a damp sponge, using a mild detergent or suds. Pat dry with clean, dry cloth.
2. Do not use abrasive cleaners, brushes, gasoline, kerosene, glass/furniture polish, paint thinner or water hotter than 120°C to clean the unit.

## WARNING:

In the interest of health and safety, Please ensure no obstacles, children or pets are near the chair mechanism or the area underneath when the chair is in use. This is not a play area. Vigilance is required to avoid accidents.

