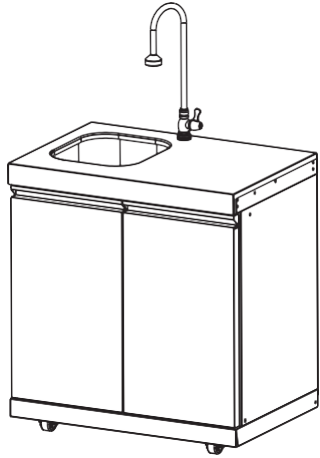
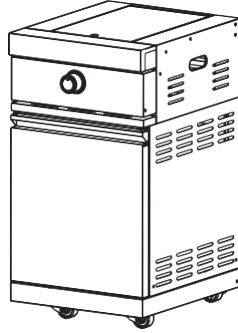


# MODULAR SERIES

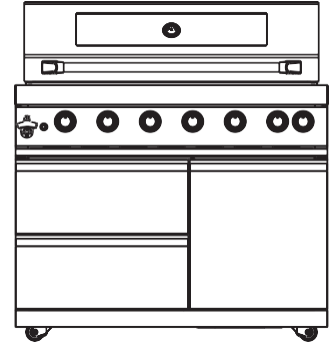
---



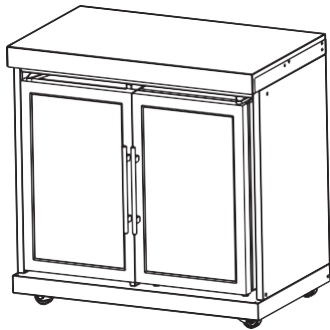
Model No.:SK-S01



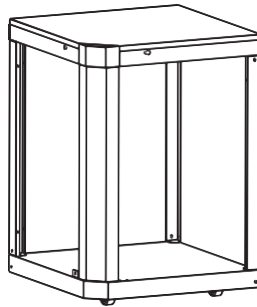
Model No.:SK-1B01



Model No.:SK-6B01



Model No.:SK-F02



Model No.:SK-CC01



Model No.:SK-C3D02

Reference Models ONLY

Please refer to the diagrams for assembly of modules

## TOOLS REQUIRED

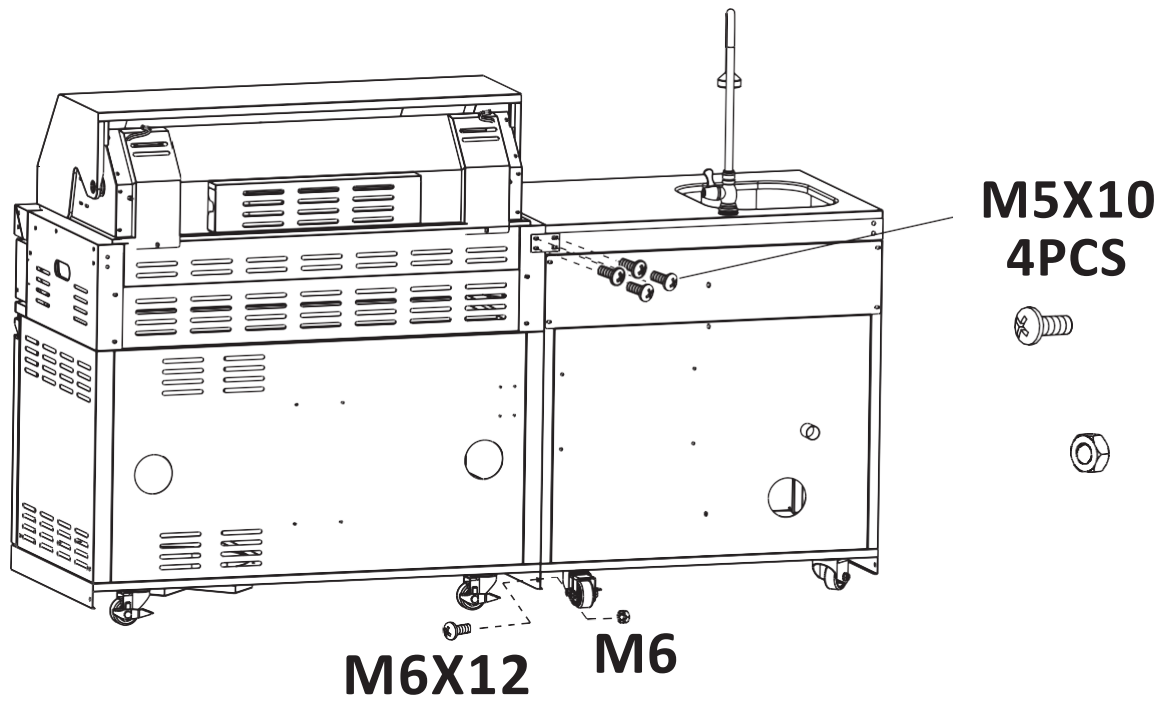
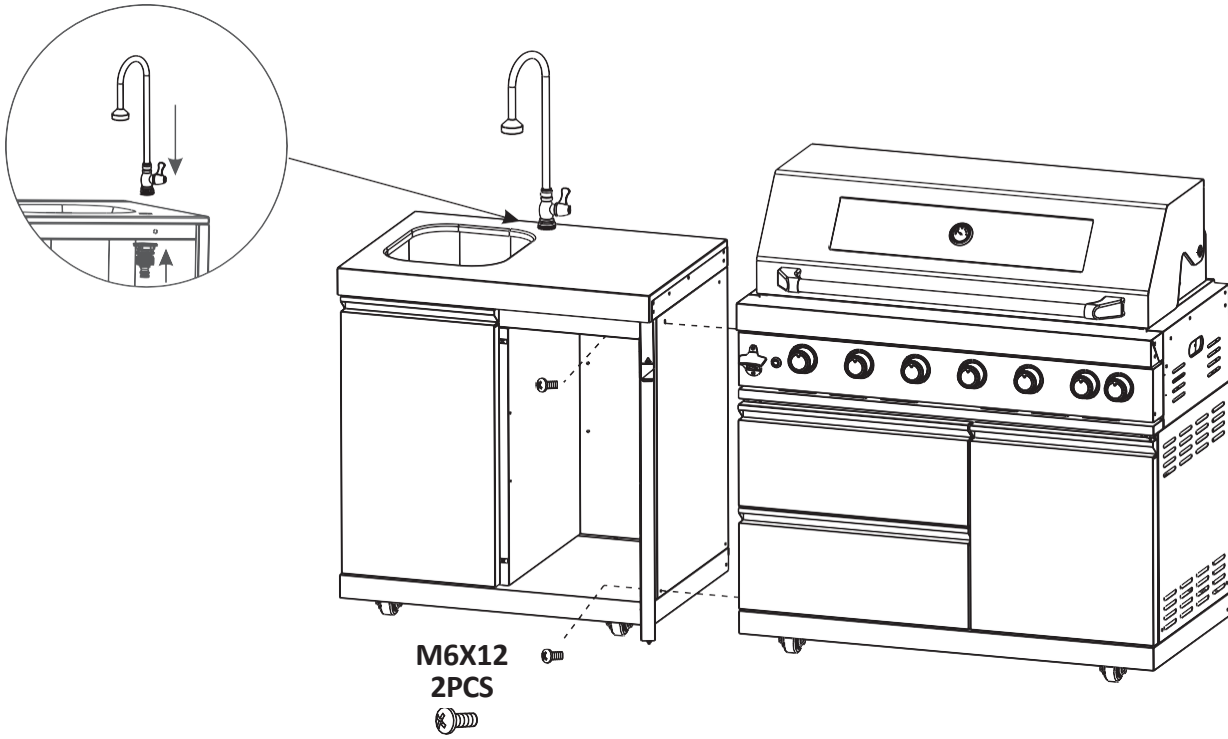
Standard Phillips-head screw driver.



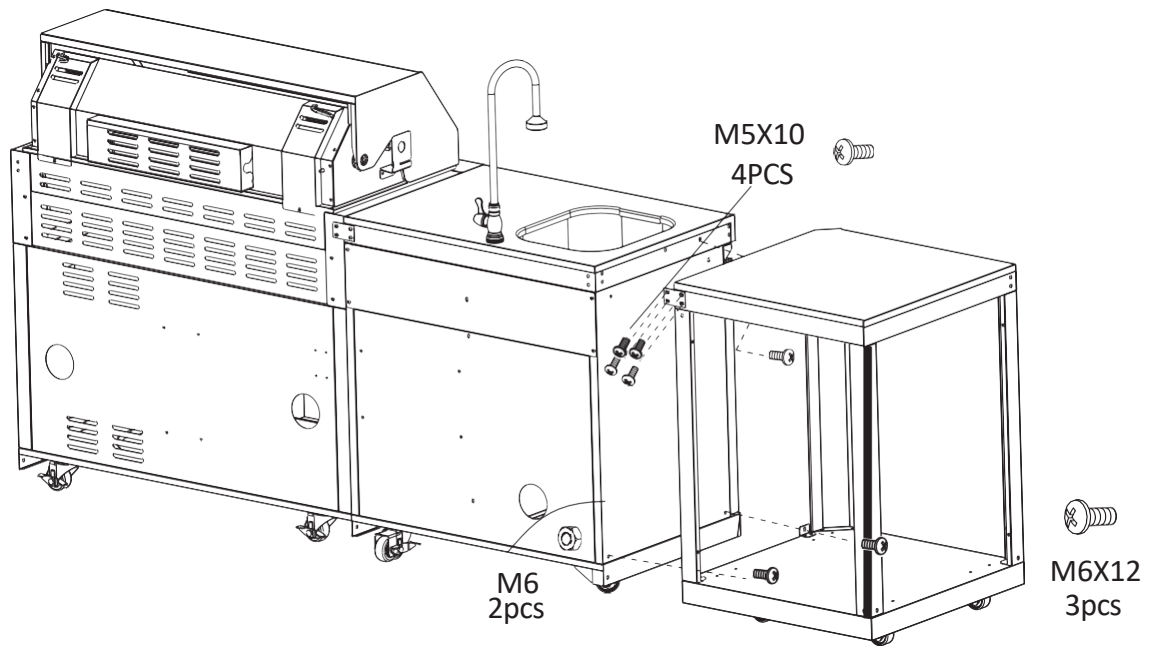
**IMPORTANT:** Remove all packing and transit protection before assembly.

**CAUTION:** Ensure no packing material is left in BBQ before lighting.

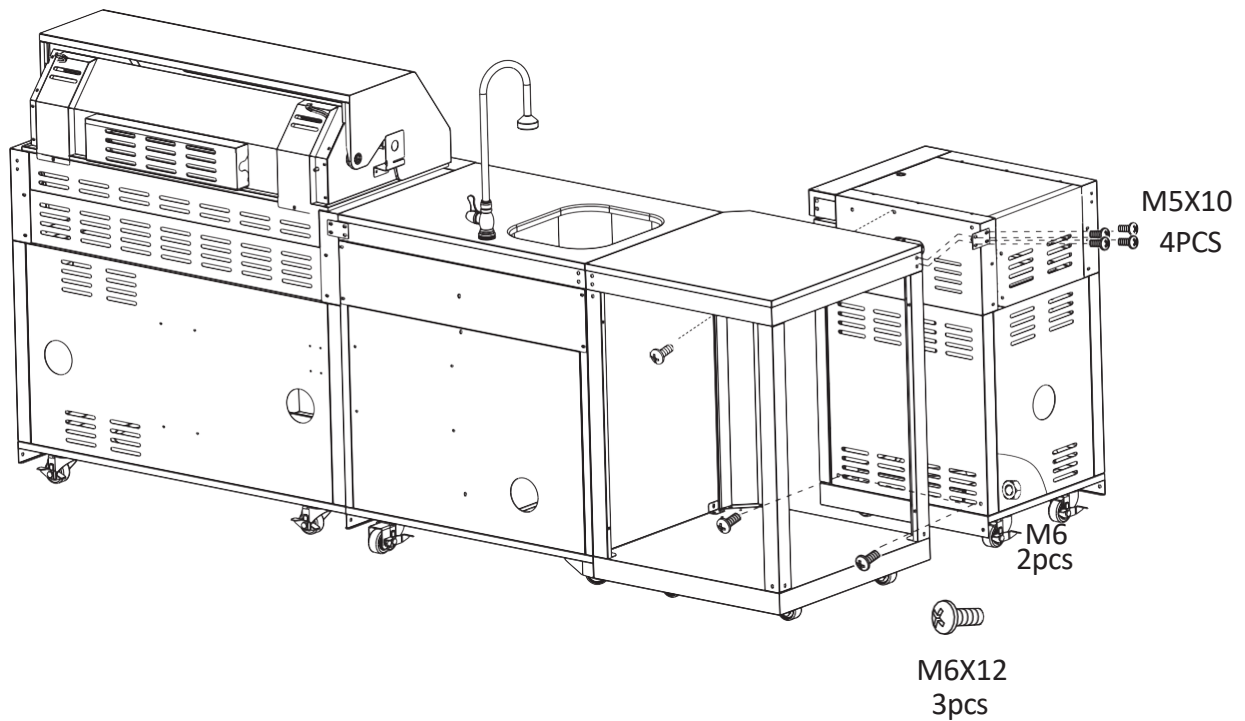
# CONNECTION



Demonstrating how to connect another 90 degrees corner section.

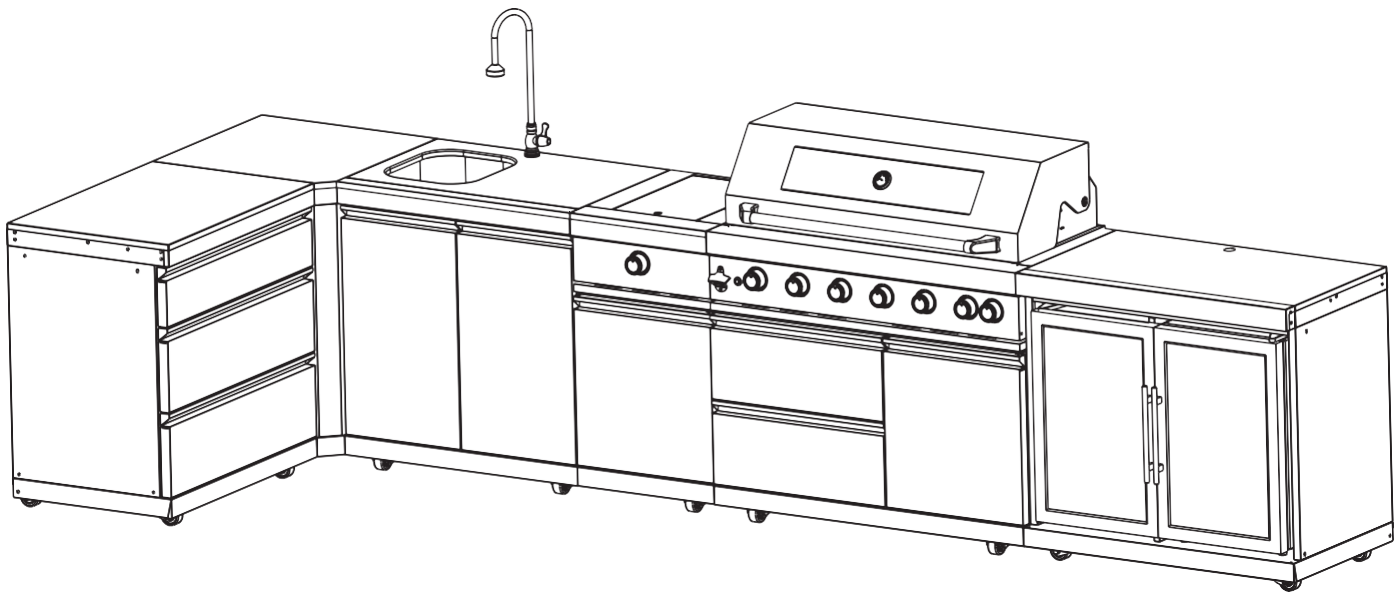
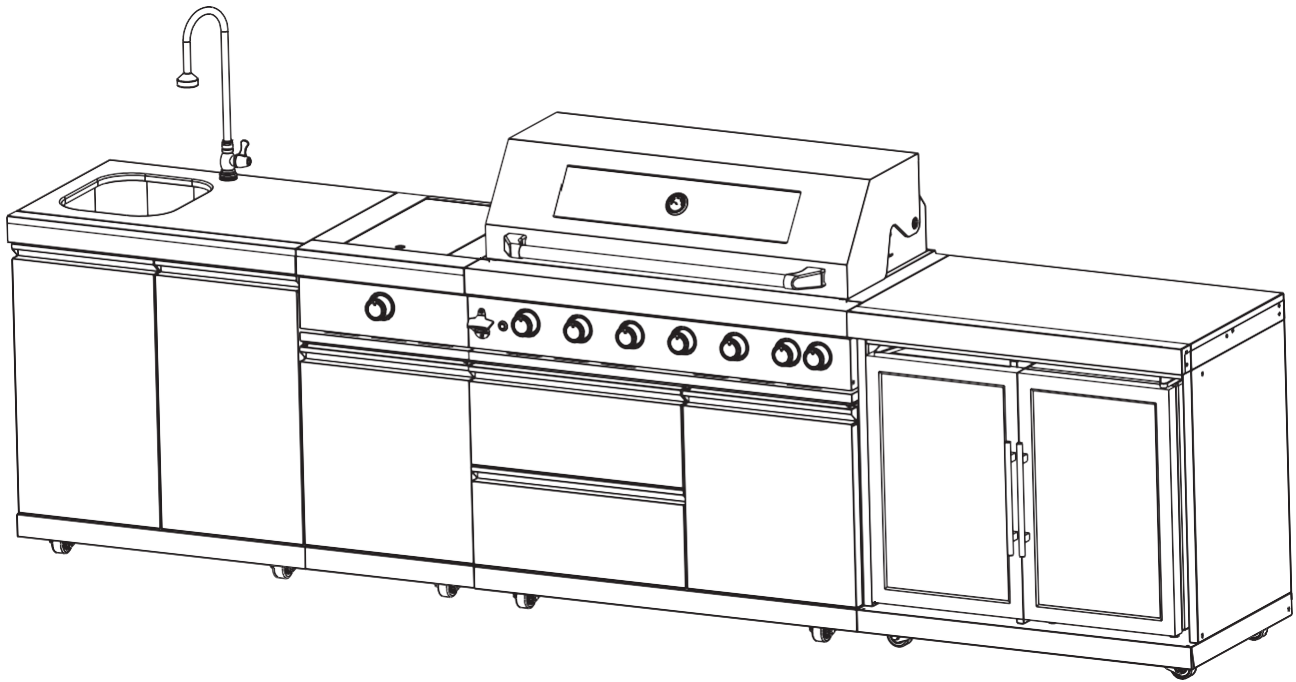


Demonstrating how to connect sear station



## Finished Outdoor Kitchen Gas Grill (For Reference ONLY)

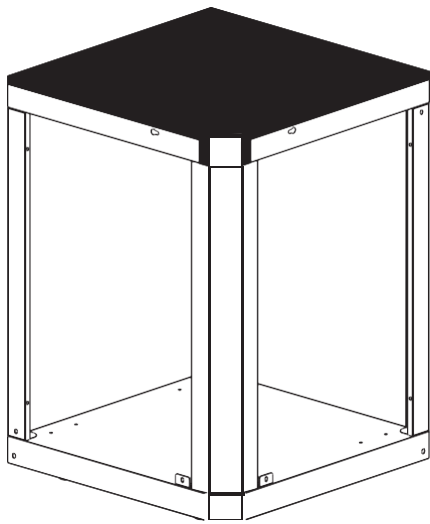
---



Models purchased may differ from those shown.

# ASSEMBLY INSTRUCTIONS-90 Degree Corner Module

1.



Top panel

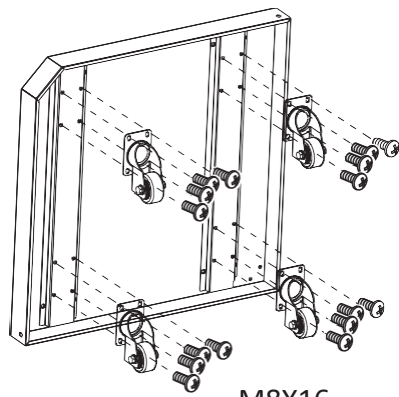
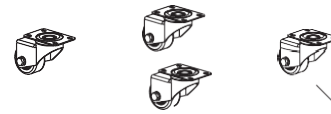
2. Side panel(2)

3. Rear Pillar(3)

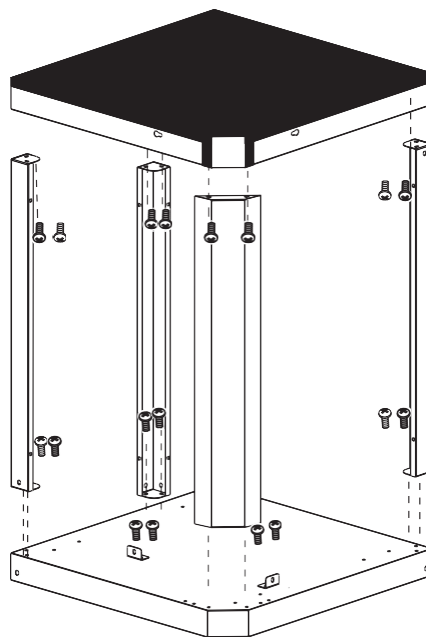
4. Front Pillar(1)

5. Base panel

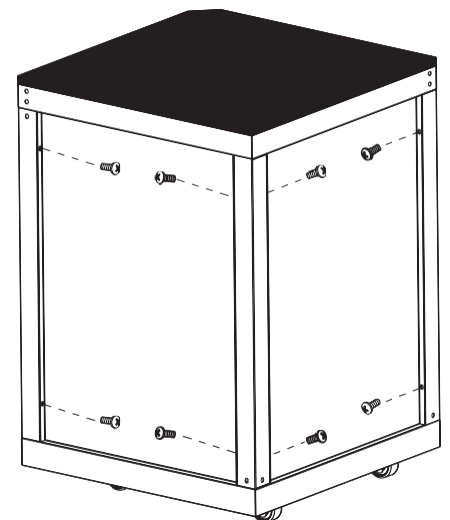
6. Castor(4)



M8X16  
12PCS



M5X10  
18PCS



M5X10  
8PCS