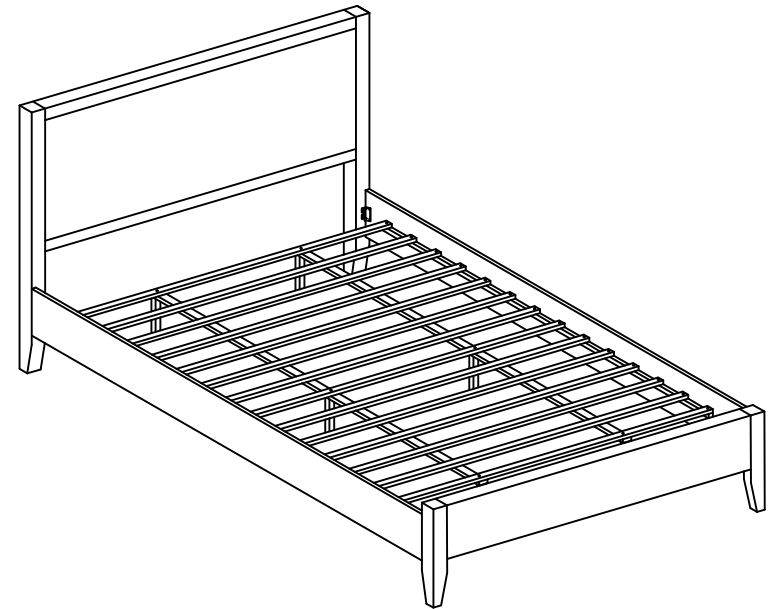


GIULIANO CHANNEL TUFTED KING BED

SFV1804-K

Assembly Instructions



Need help?

Feel free to contact us via email or call if you have any specific questions!

contact us:

cs@safavieh.com

866-422-9070

SAFAVIEH
COUTURE

**Thanks for bringing
Safavieh Couture into
your home**

Every thing we make is incredibly simple to set up, including your new bed.

Parts List

A x 1
HEADBOARD



B x 1
FOOTBOARD



C x 2
SIDE RAILS



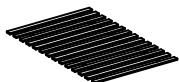
D x 2
CENTER SUPPORT RAIL



E x 6
CENTER LEGS



F x 1
13 SLATS

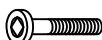


Hardware List

HW1 x 6
LEVELER



HW2 x 6
JCB BOLT M6 X 60mm



HW3 x 1
ALLEN KEY 65mm



HW4 x 1
ALLEN KEY 70mm

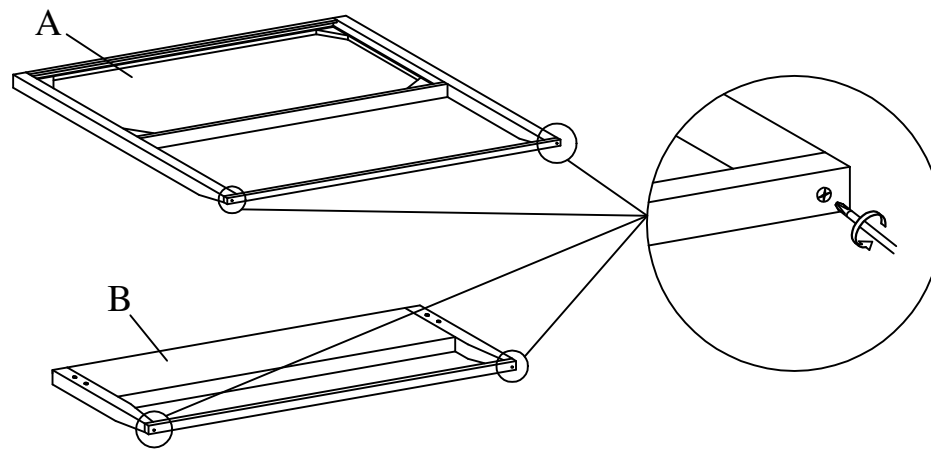


HW5 x 26
SCREW M4 X 32mm



1

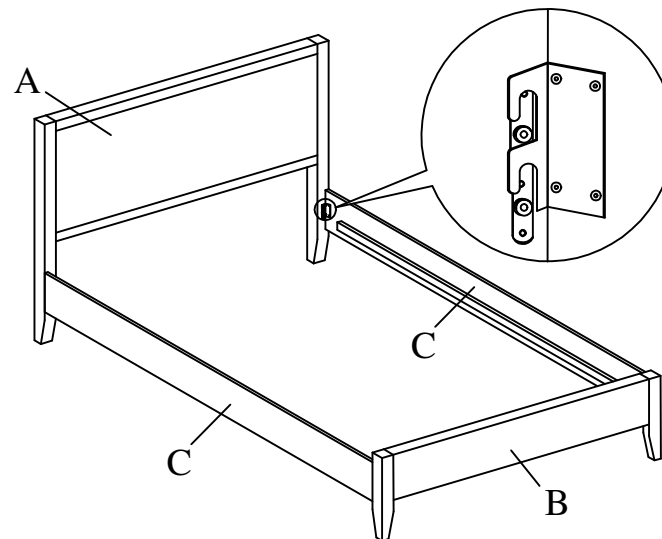
Unscrew the wooden support beam from the bottom of the headboard (A) and the footboard (B) by using a Philips Head screwdriver (not included).



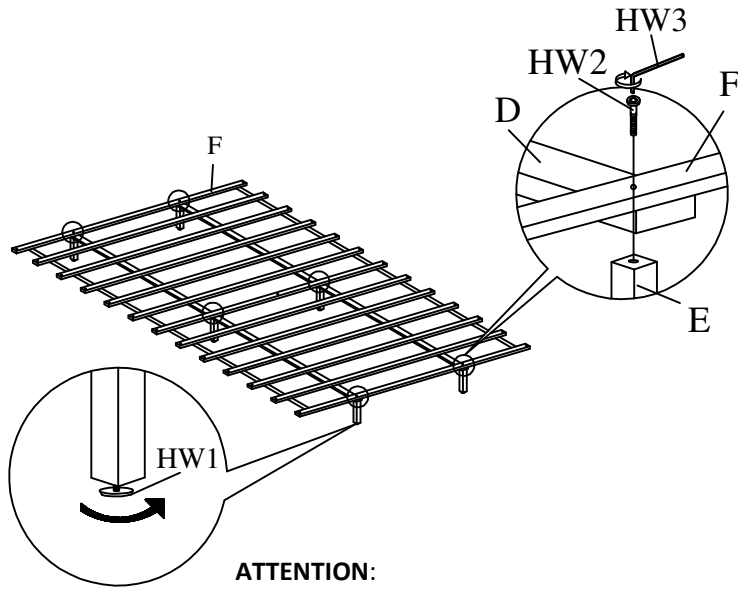
BACK VIEW

2

Attach the siderails (C) to the headboard (A) and footboard (B) by sliding the metal brackets on the siderails onto the screws on the headboard and footboard as shown.

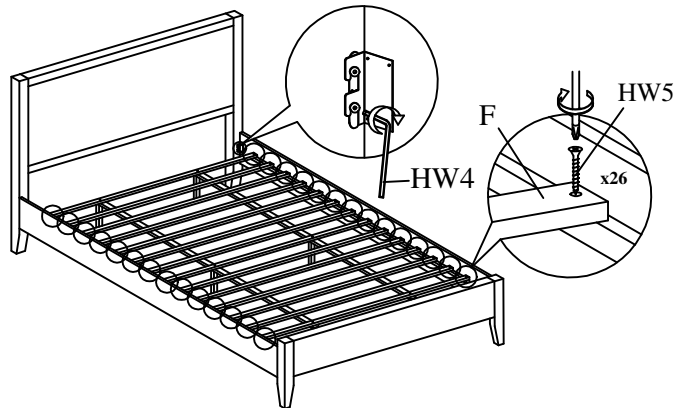


Attach the center support legs (E) to the center support rails (D) and slats (F) by using the Allen key (HW3) to screw in the bolts (HW2) as shown. Screw in the levelers (HW1) into the bottom of the center support legs (E).



ATTENTION:
Please keep the leveler about 5 to 8 MM away from the floor.

Use the Allen key (HW4) to fully tighten the bolts (HW2) in the 4 corners. Attach the slats (F) to the siderails by using a Philips Head screwdriver (not included) to screw in the 26 screws (HW5) in the spots shown below. Adjust the levelers as needed to make the bed level.



Place the bed in the place where you will use it. We'd love to see it – just tag us (we're @safavieh) and use the hashtag #safavieh on Instagram!

