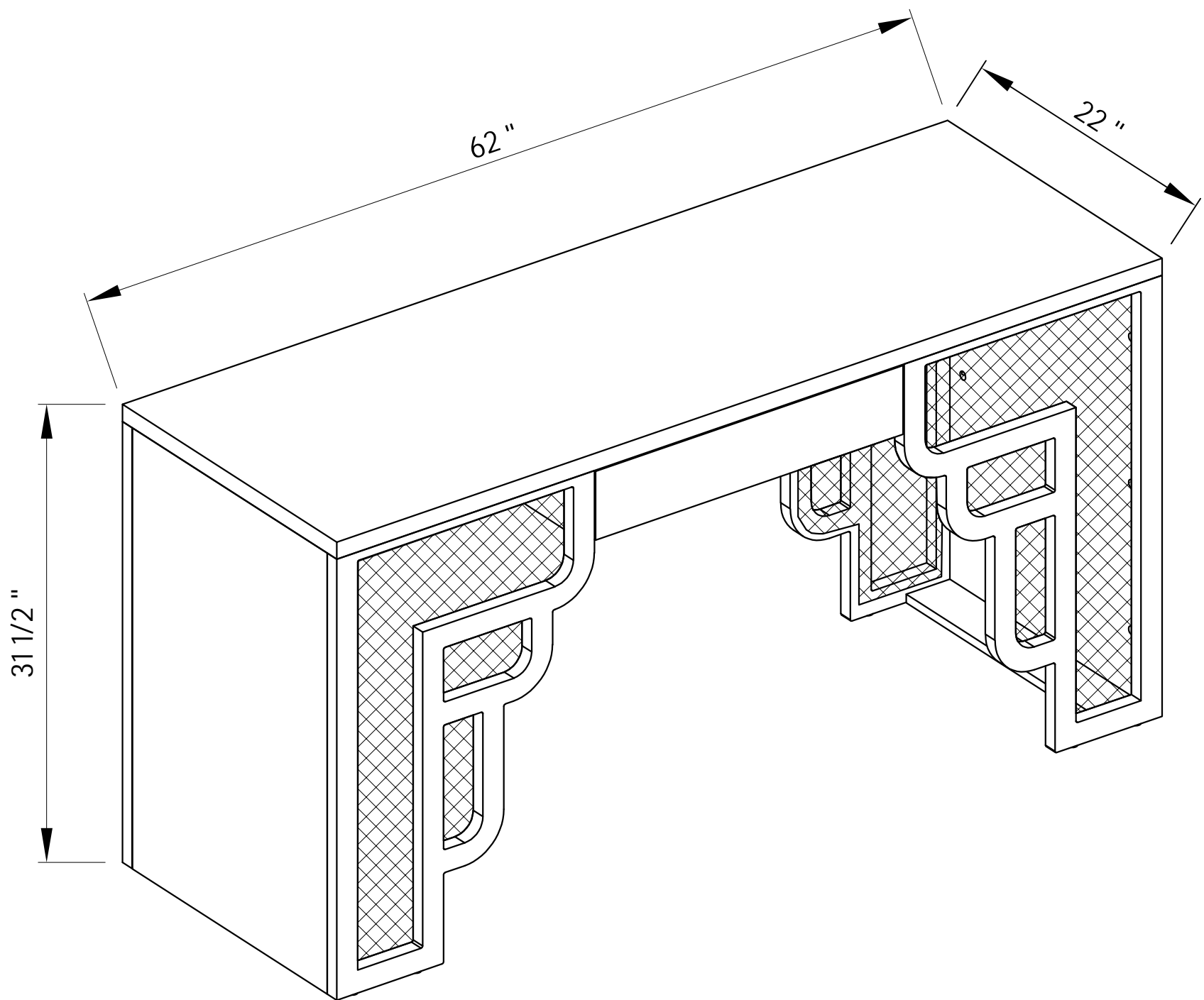
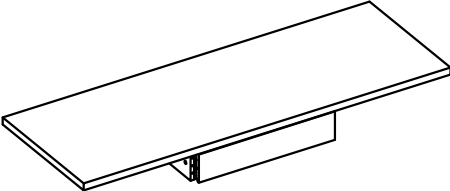
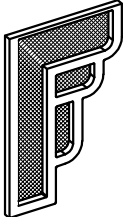

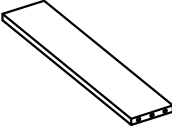


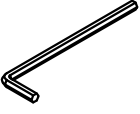




ASSEMBLY INSTRUCTIONS.



ASSEMBLY INSTRUCTIONS.

PART LIST.			
LABEL.	PICTURE.	DESCRIPTIONS.	QTY.
A		TOP & DRAWER	1
B		LEGS	4
C		SIDES	2
D		RAILS	2

HARDWARE LIST.			
LABEL.	PICTURE.	DESCRIPTIONS.	QTY.
1		- SOCKET HEAD BOLTS M6-30	8
2		- WASHER M8-16	8
3		- L WRENCH M4-60.	1
4		- DOWEL 8X30MM.	42
5		- CAMLOCK & COVER CAP.	30

BEFORE BEGINNING ASSEMBLY:



Read instructions cover to cover.



Have two adults on hand for assembly.

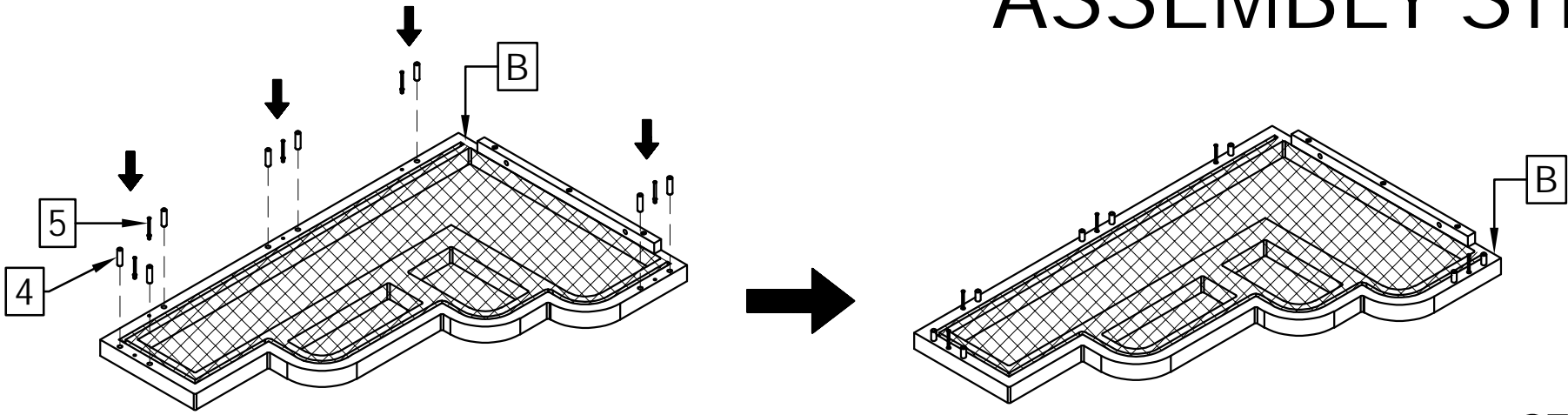


Do NOT assemble on flooring or carpet. Assemble on a clean not-marring surface (ex: packing foam).

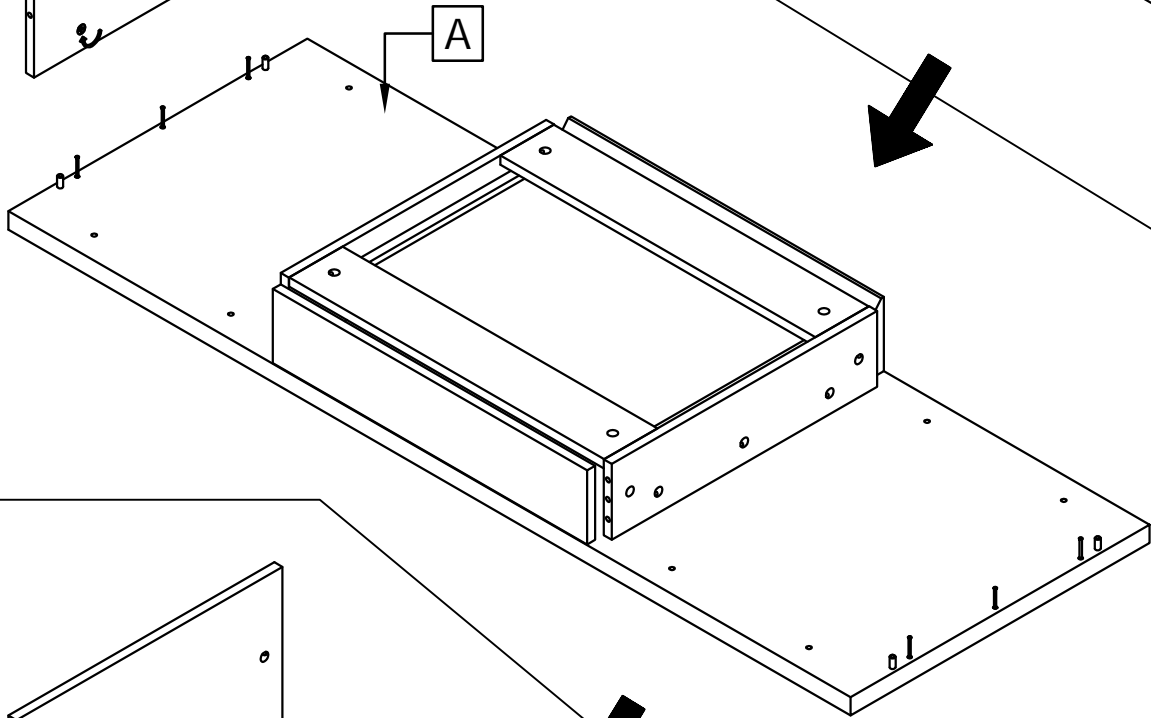
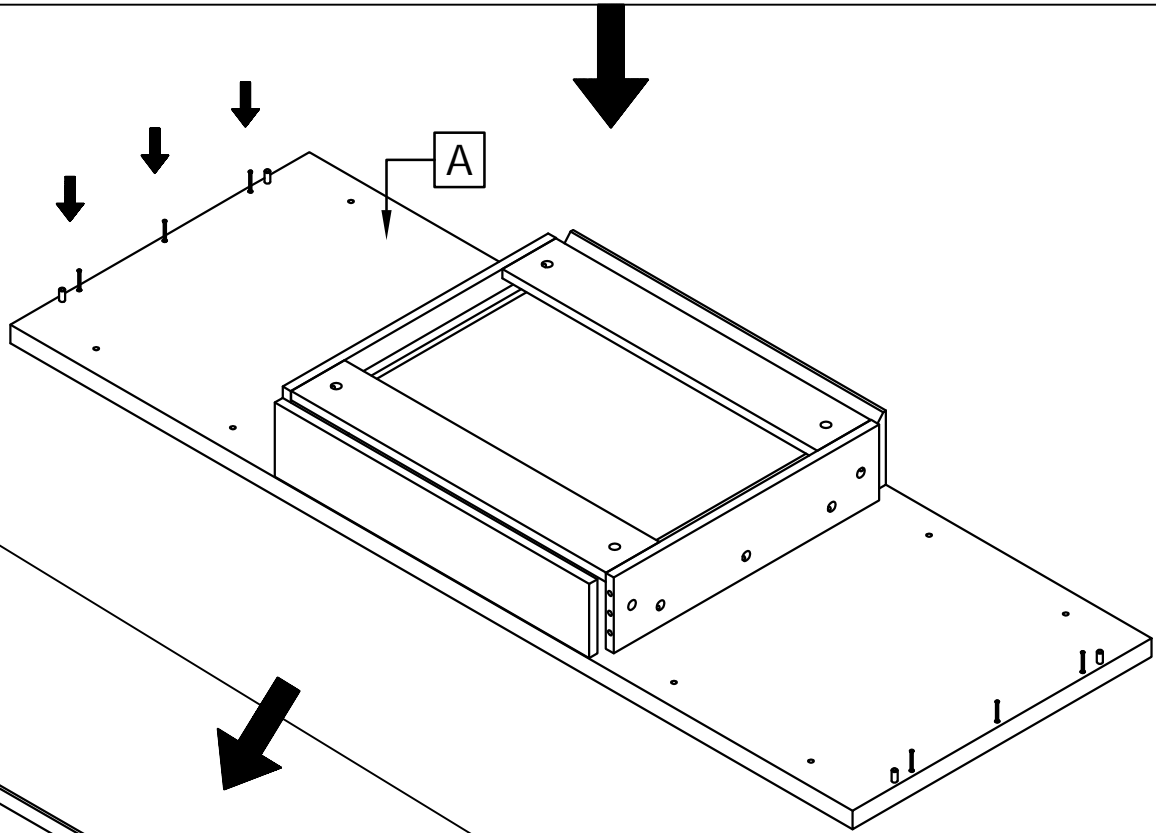
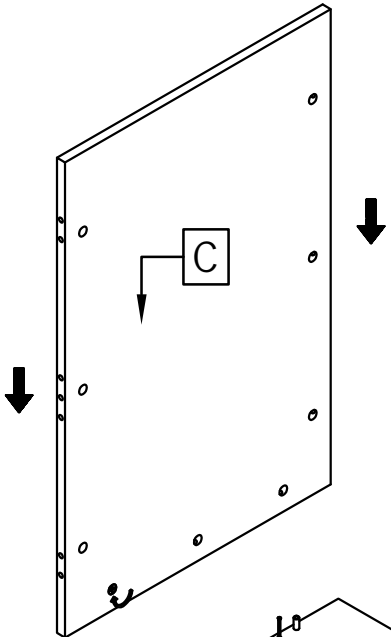


Save all packaging until assembly is completed.

ASSEMBLY STEPS.

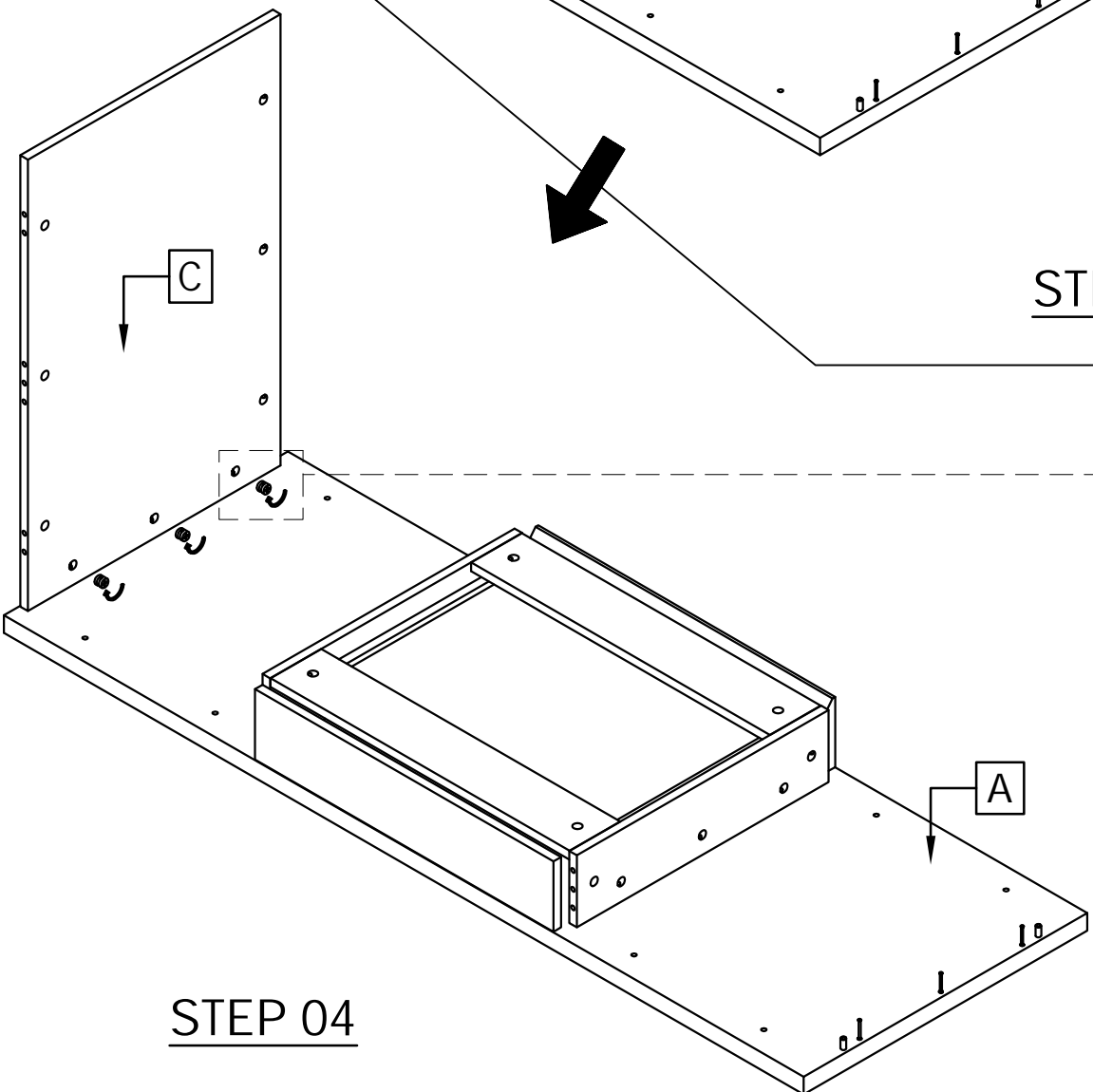


STEP 01

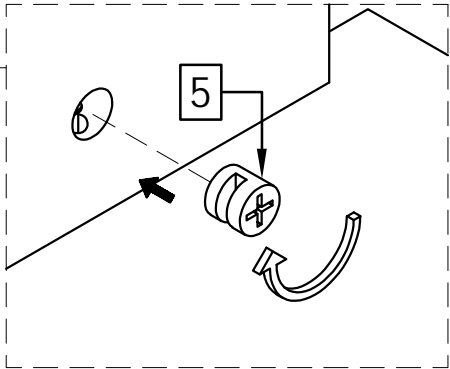


STEP 03

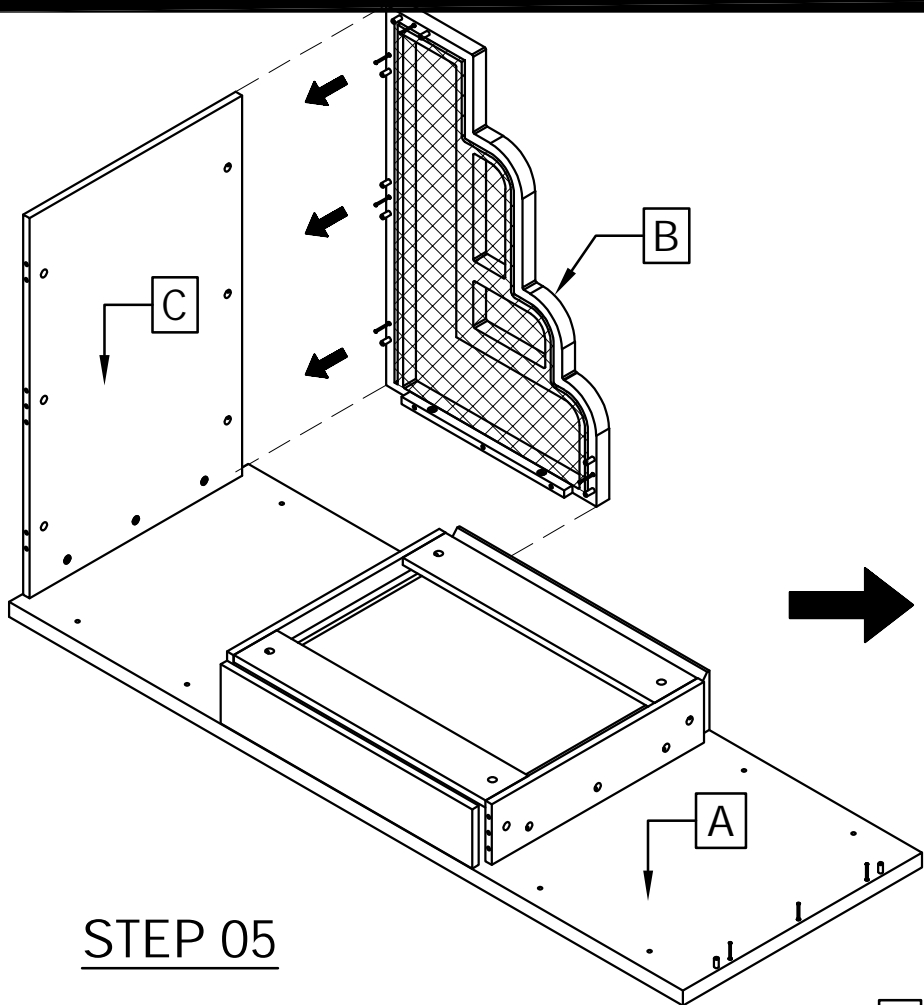
STEP 02



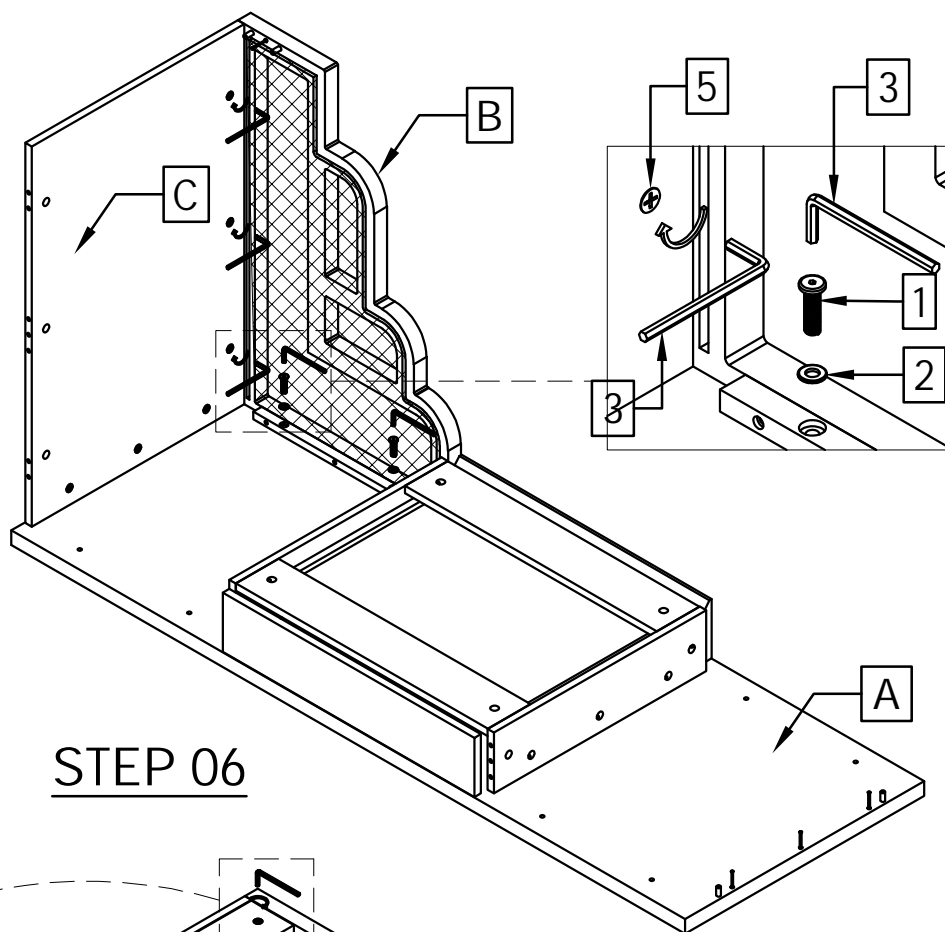
STEP 04



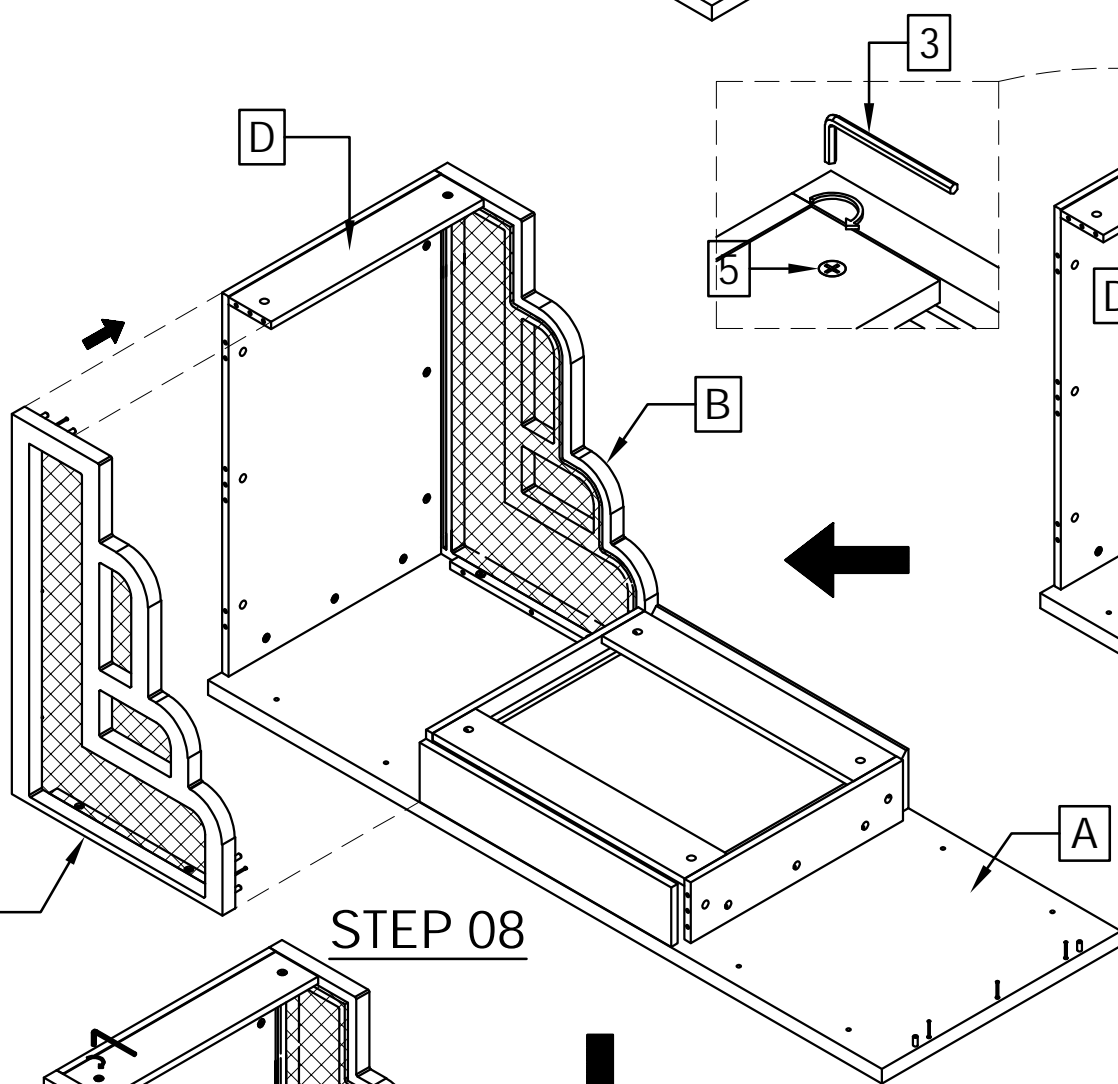
ASSEMBLY STEPS.



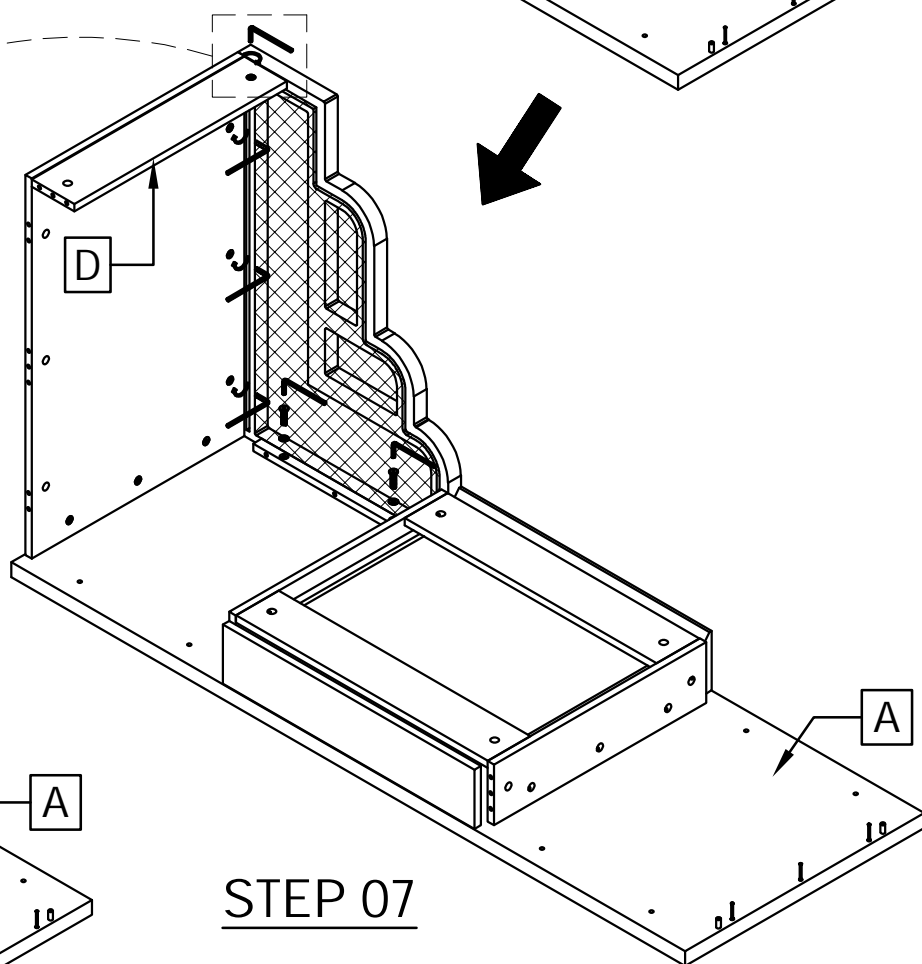
STEP 05



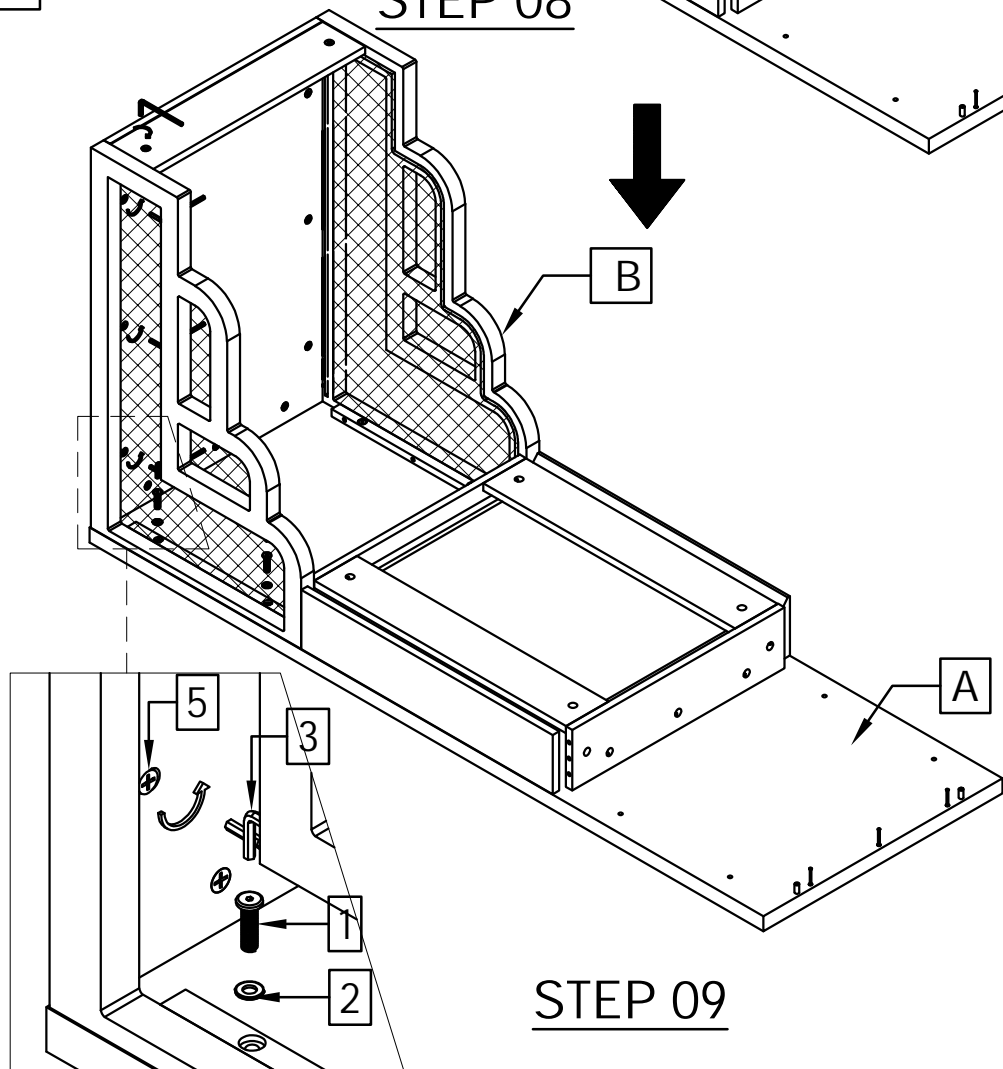
STEP 06



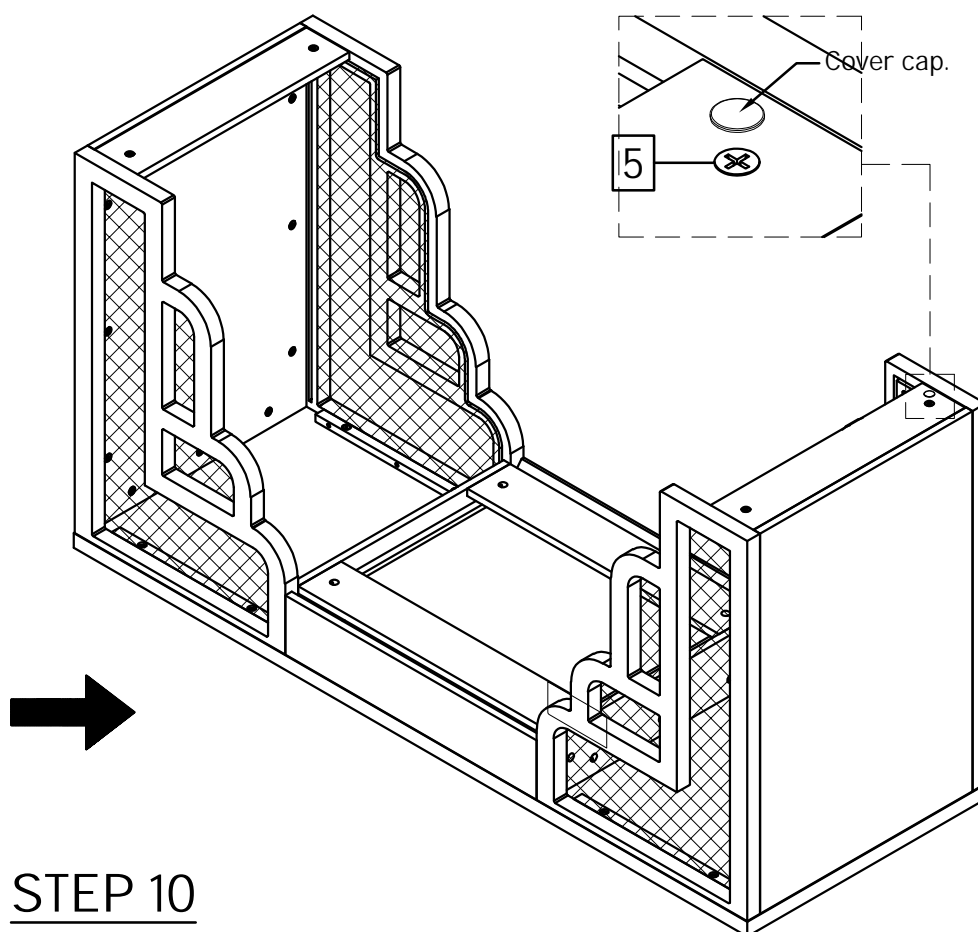
STEP 08



STEP 07



STEP 09



STEP 10

Do the same for the right leg system

CARE & MAINTENANCE.



Do not put hot items directly on furniture surface.



Do not clean furniture with harsh cleansers or polish



Dust and wipe up spills using a clean, non-colored, lint-free cloth.



Stains may be removed with a mild soap solution and a damp cloth.



Do not place furniture under direct sunlight.



Do not place furniture near heating or cooling vents.



Do not write on furniture without a padded barrier to protect the surface.



Do not place furniture outside, for indoor use only.