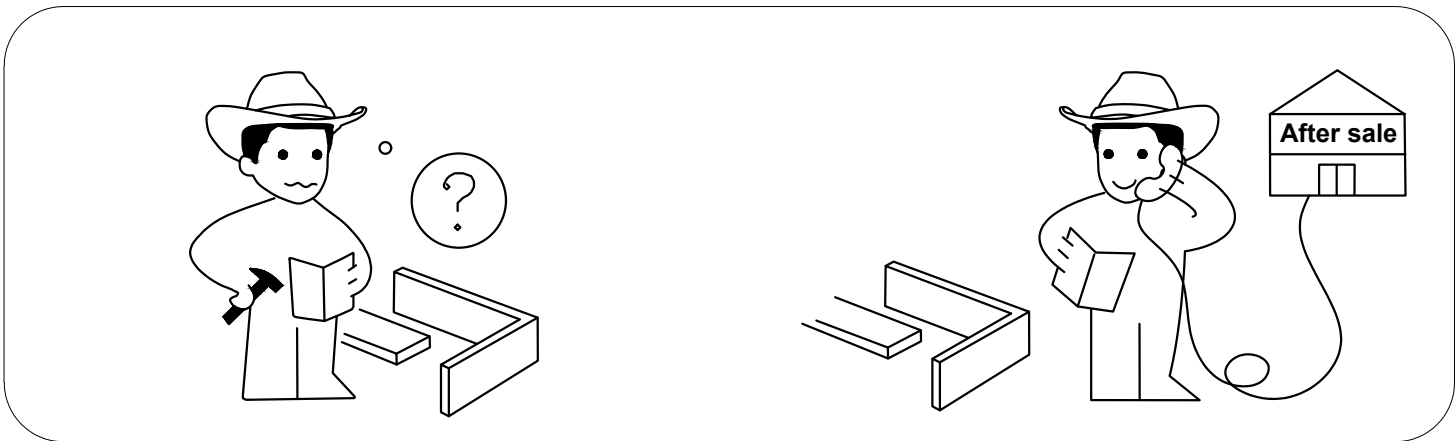
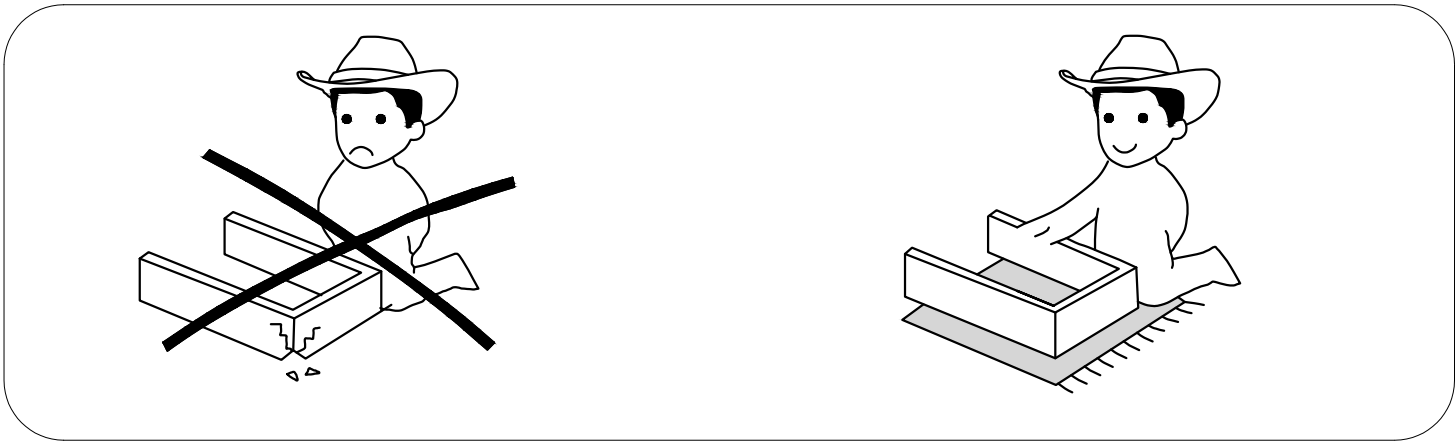
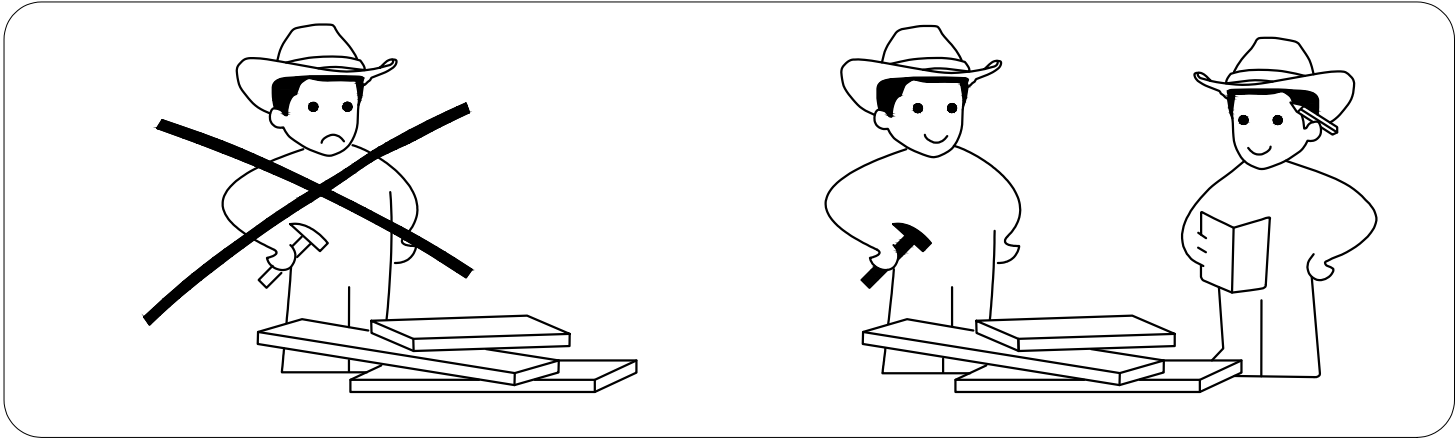
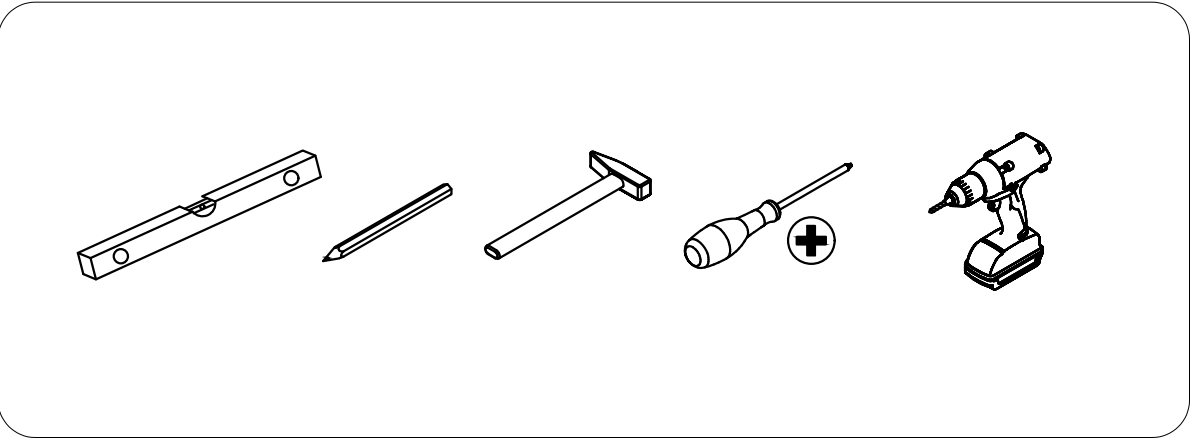
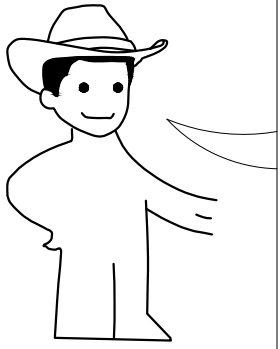
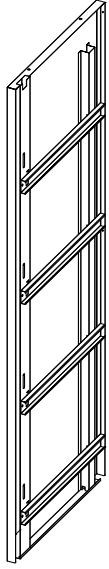
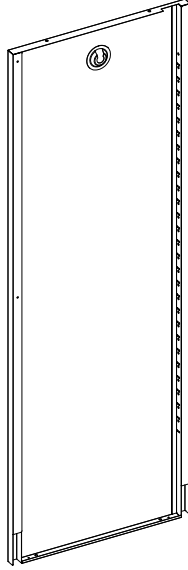
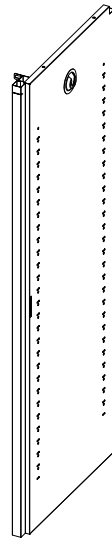
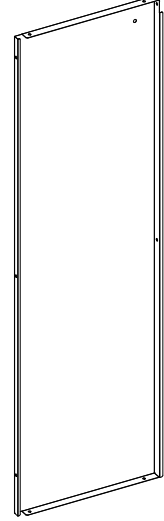
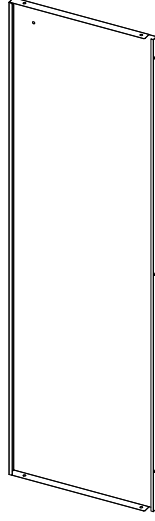
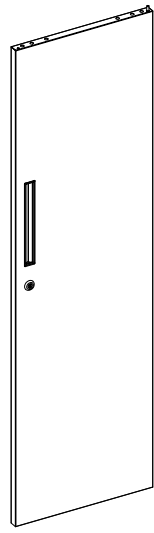
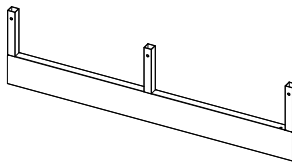
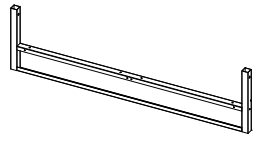
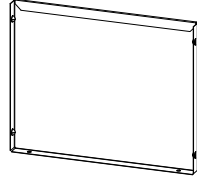

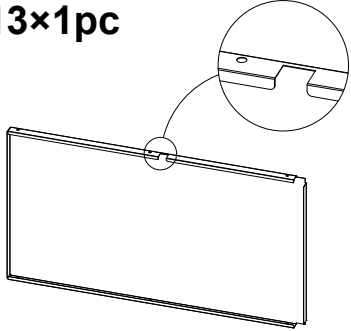
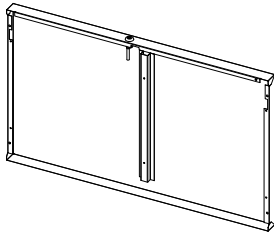
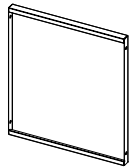
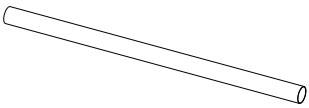



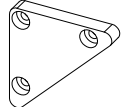
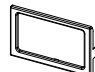
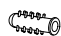


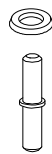

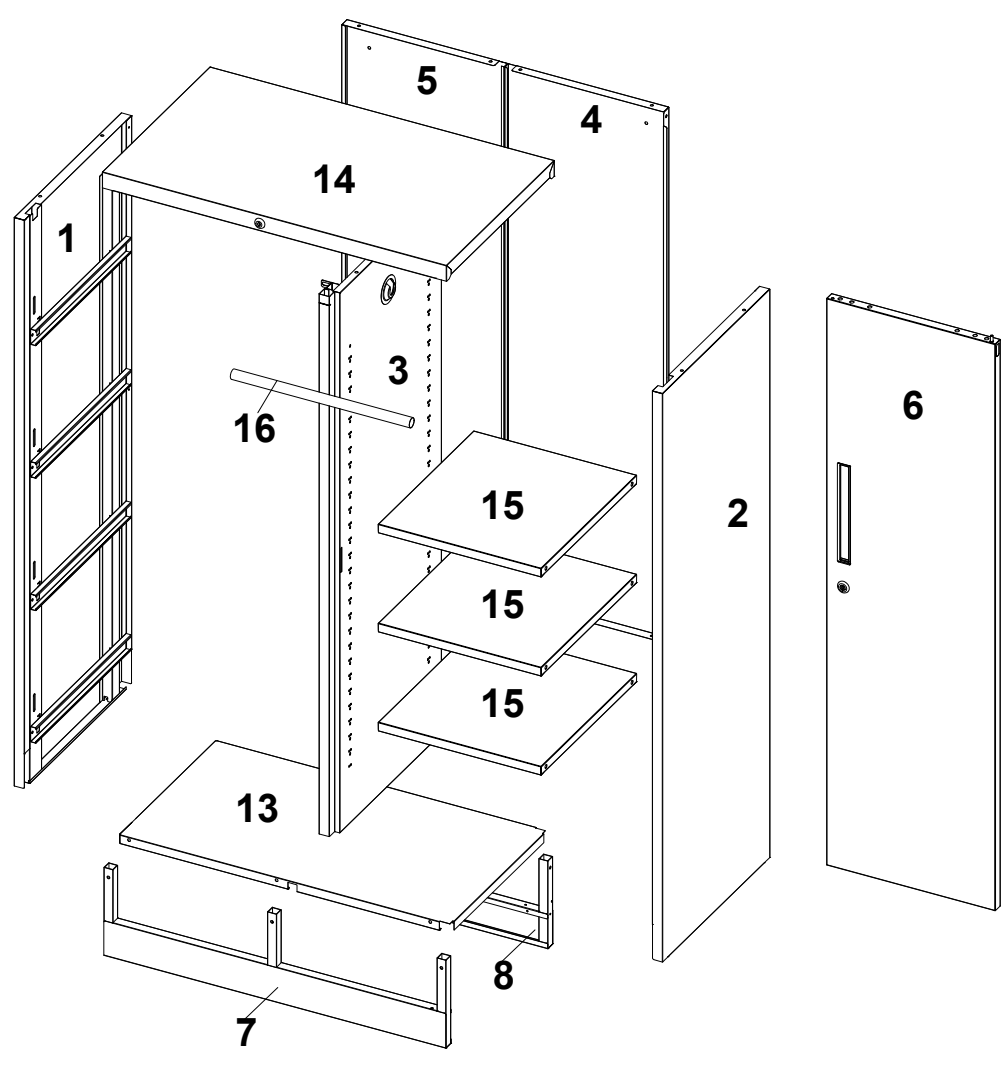
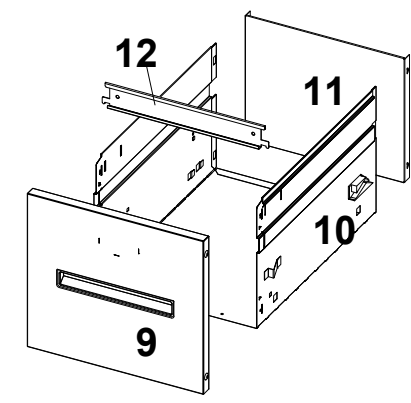
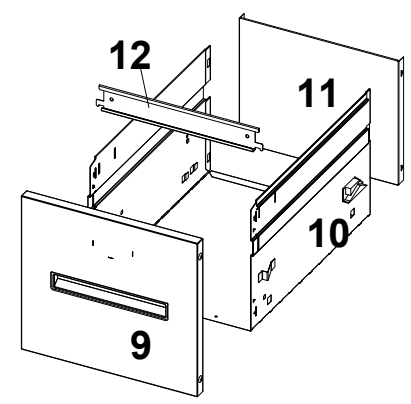
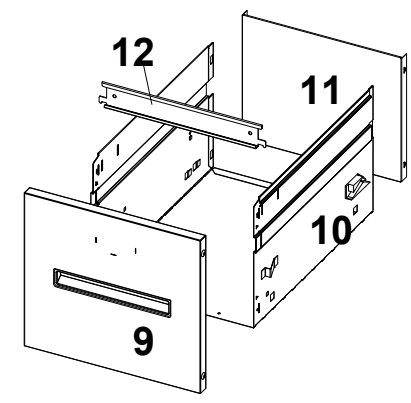
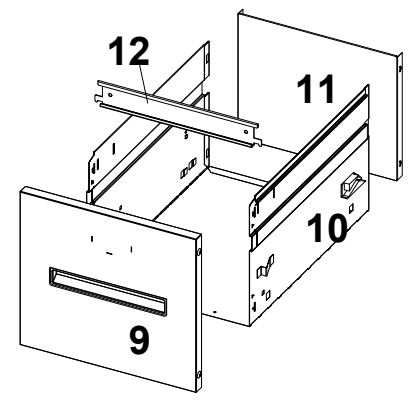
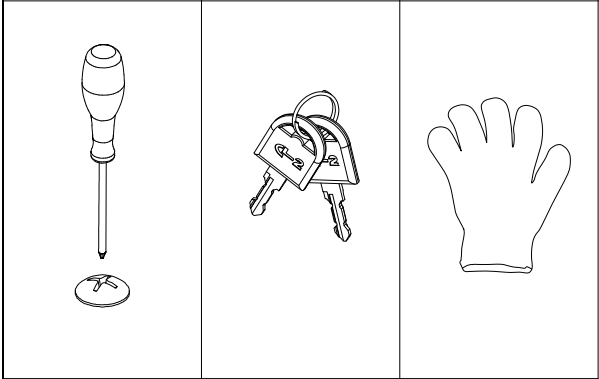


Installation video

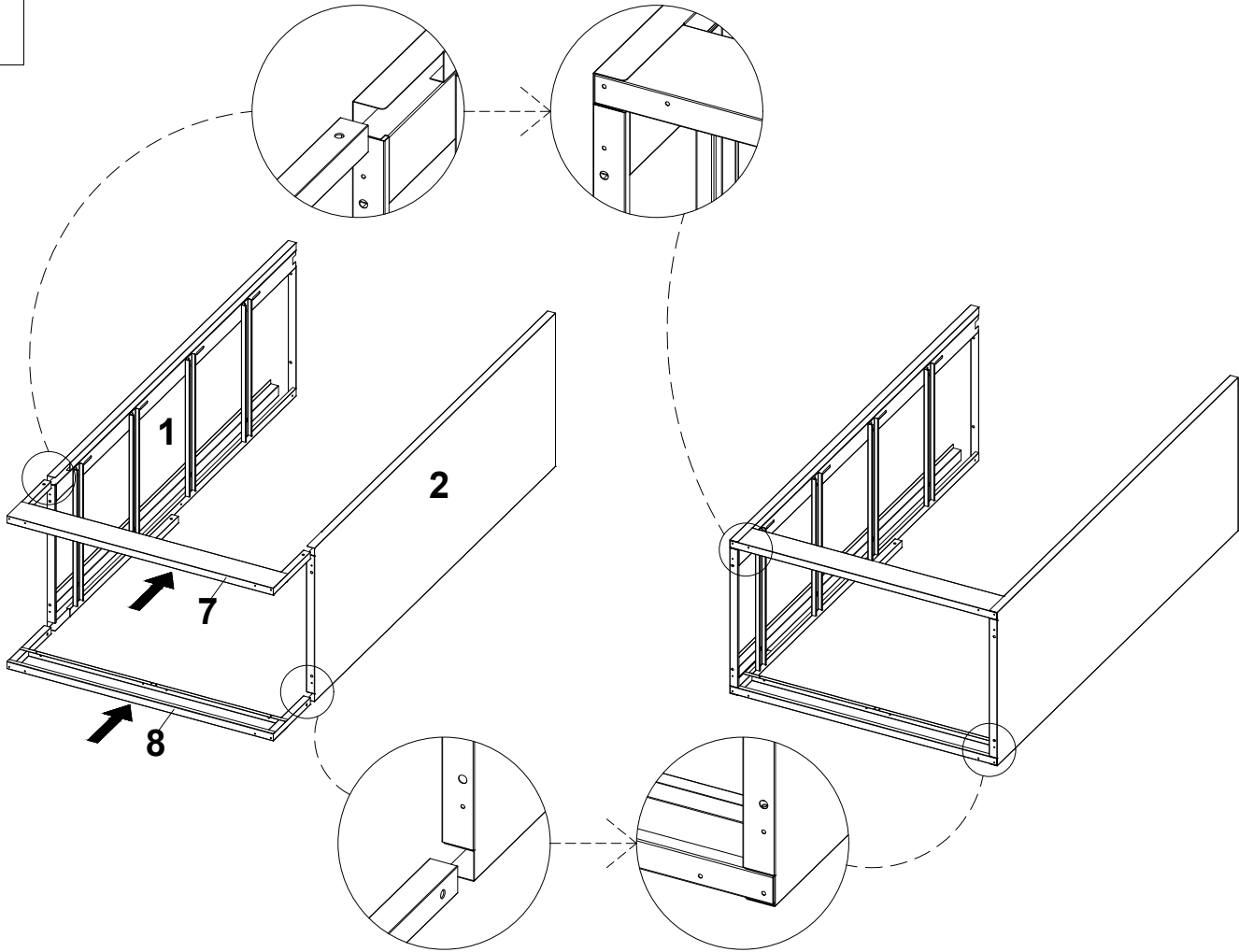


<p>1×1pc</p> 	<p>2×1pc</p> 	<p>3×1pc</p> 	<p>4×1pc</p> 
<p>5×1pc</p> 	<p>6×1pc</p> 	<p>7×1pc</p> 	<p>8×1pc</p> 
<p>11×4pcs</p> 	<p>12×4pcs</p> 	<p>13×1pc</p> 	<p>14×1pc</p> 
<p>15×3pcs</p> 	<p>16×1pc</p> 		

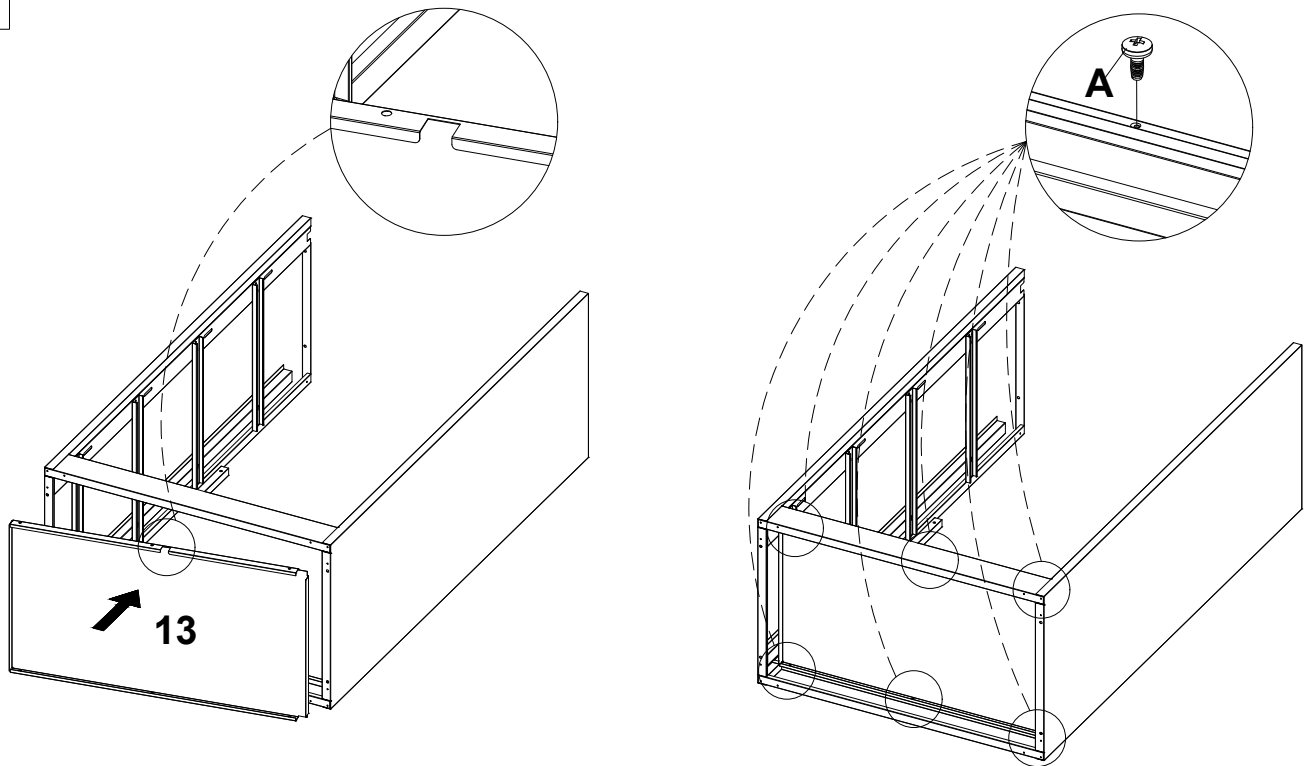
A×26pcs	B×12pcs	C×24pcs	E×4pcs	F×4pcs	G×2pcs	R×1pc	I×12pcs
					 M8  M5×30mm  M5		
M4× 8mm 0.3inch	M5× 12mm 0.6inch	M4× 8mm 0.3inch					



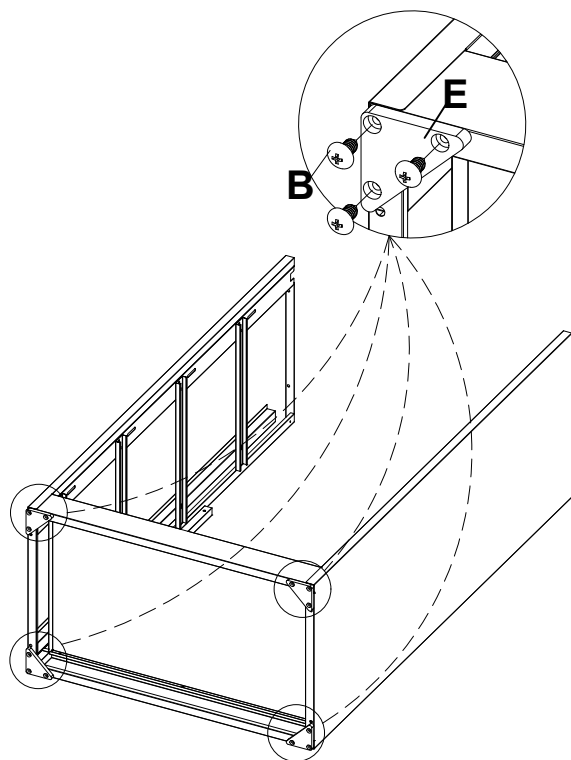
1





2

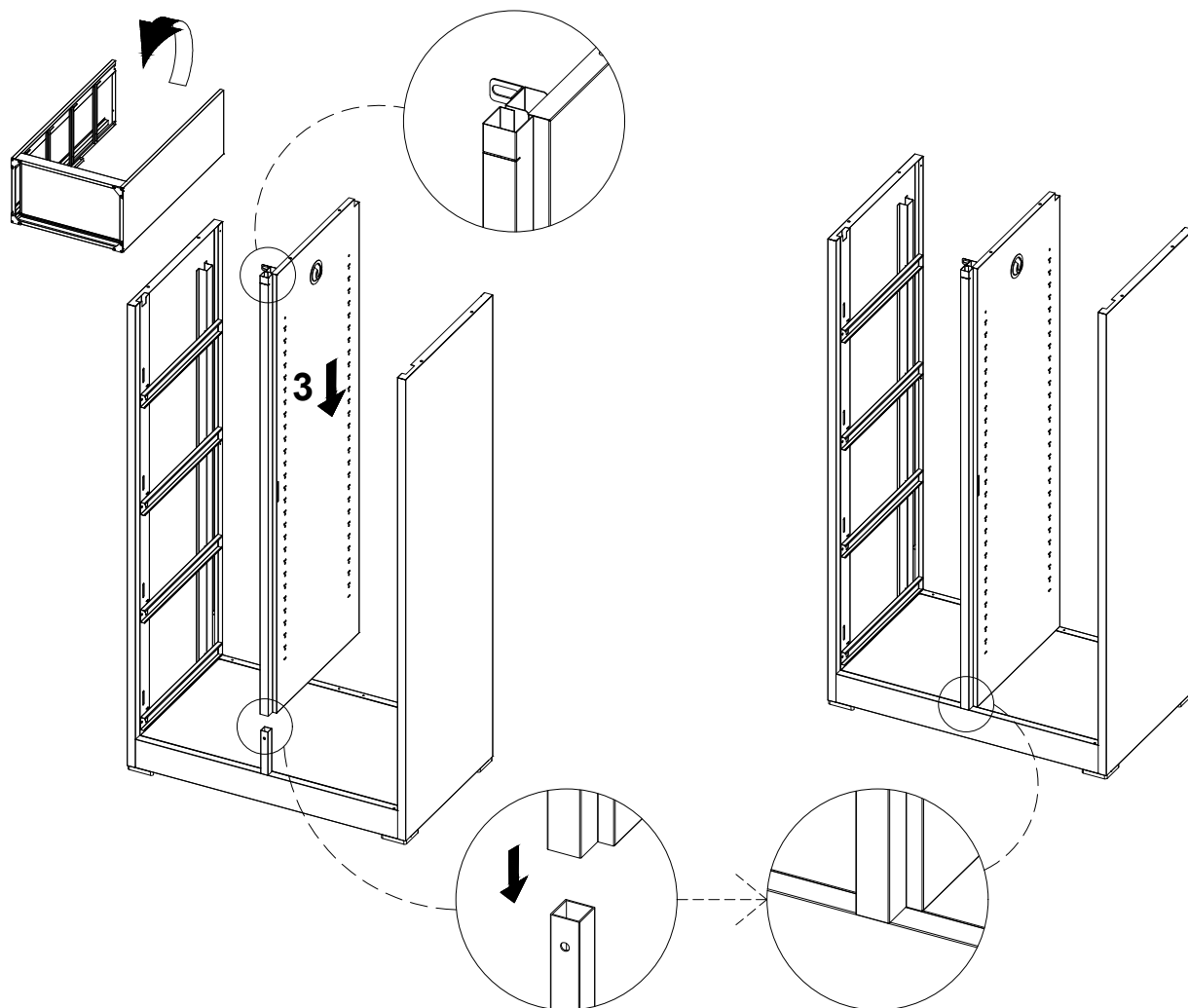


3

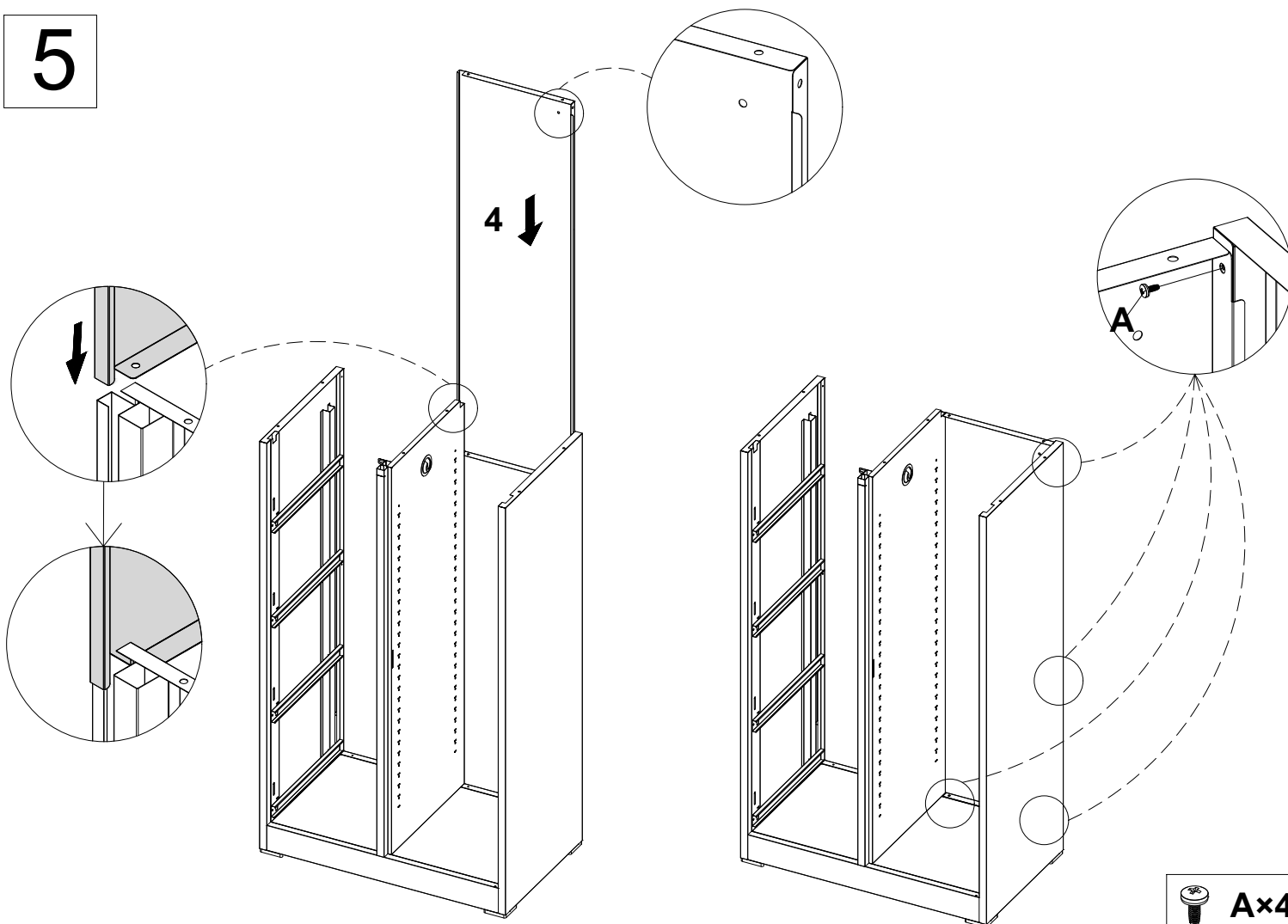


 **B×12**  **E×4**

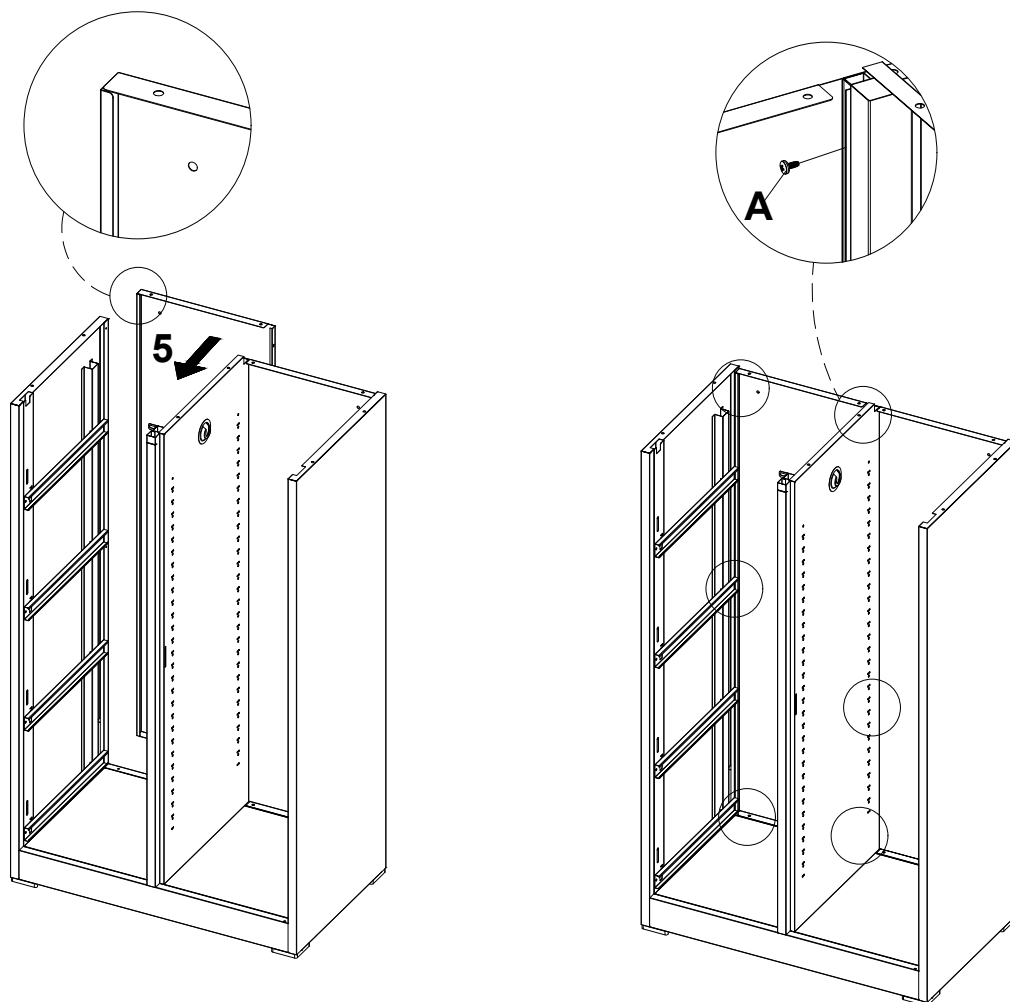
4



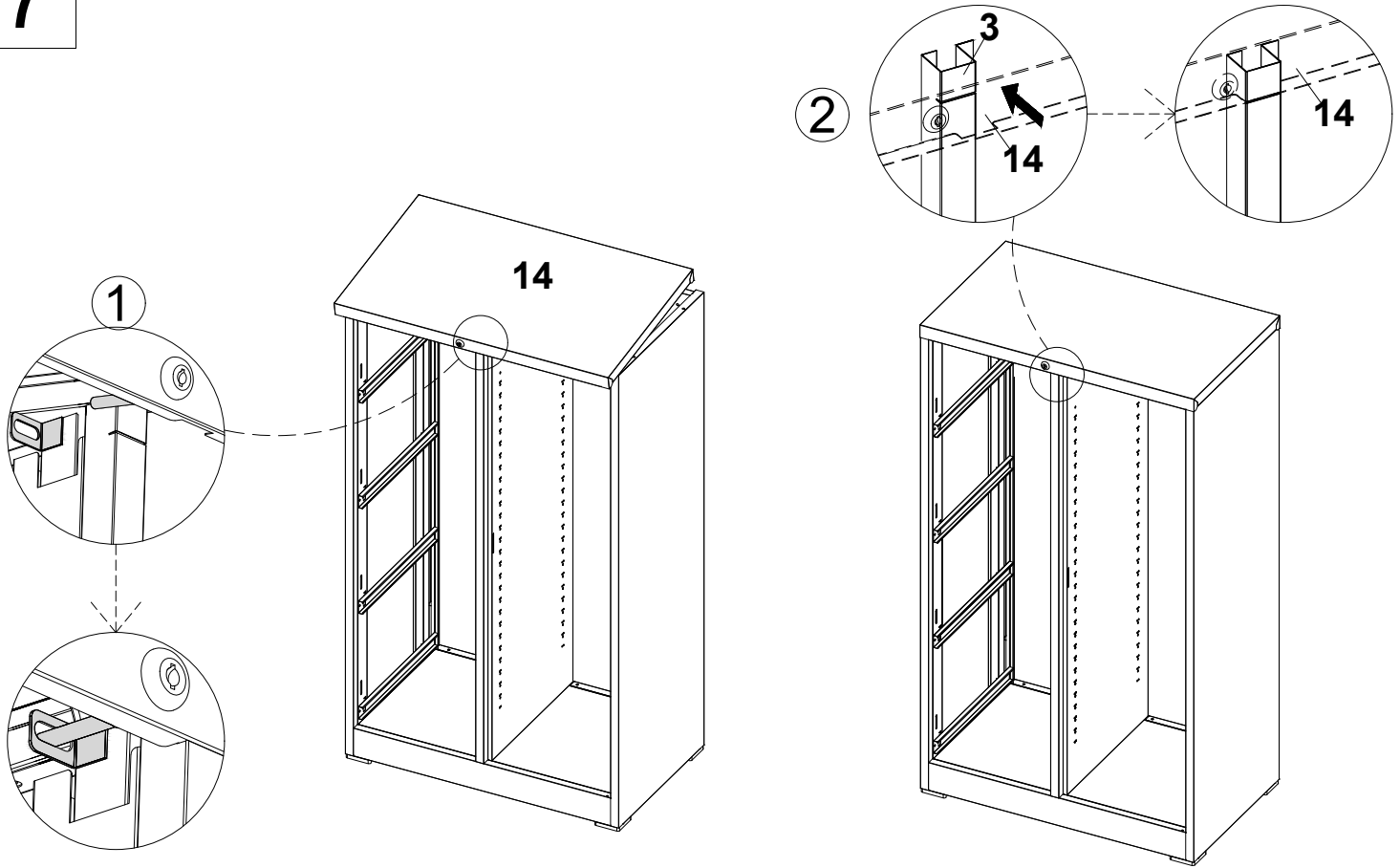
5



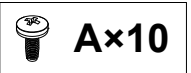
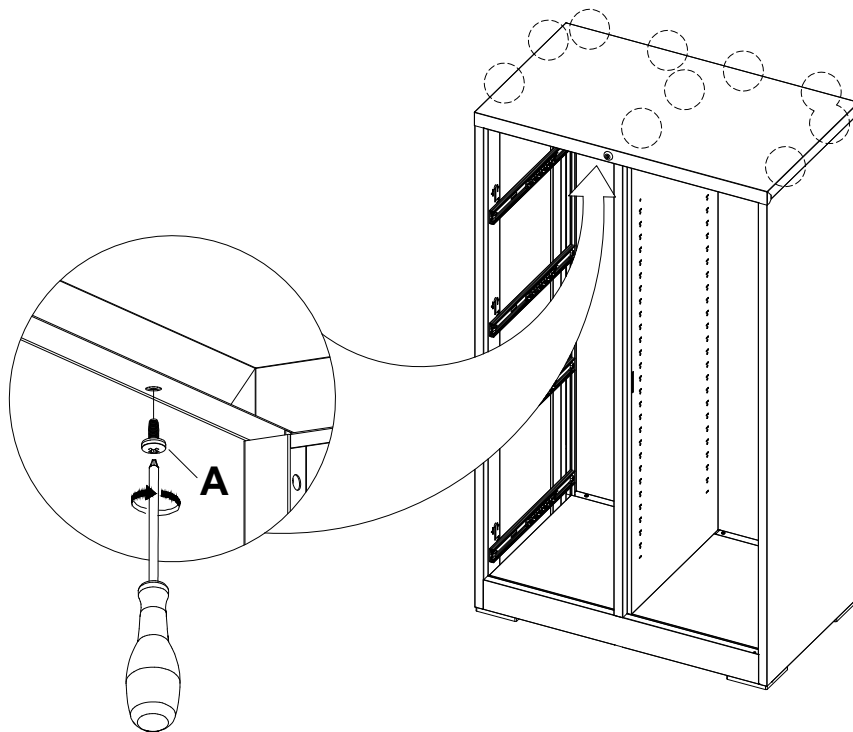
6



7



8

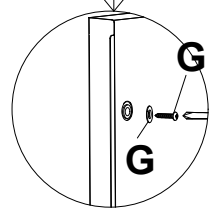
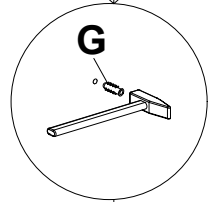
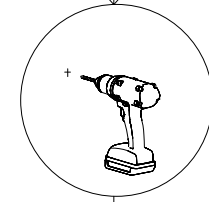
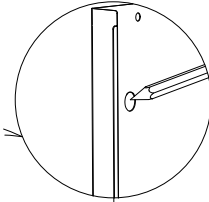
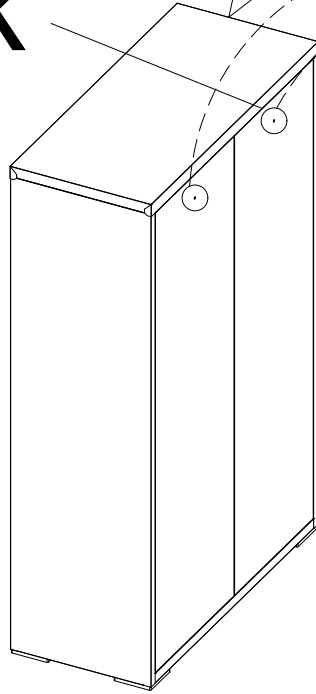


9

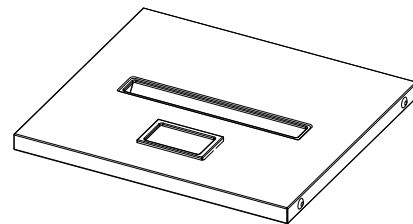
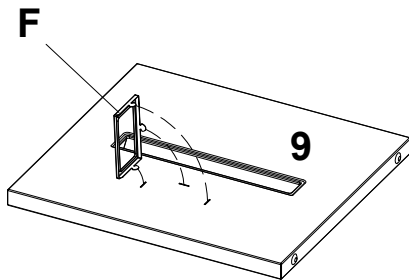


This step is to connect the cabinet to the wall, if you do not need to ignore it

back



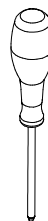
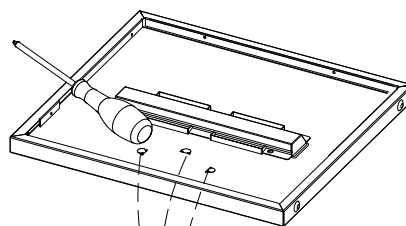
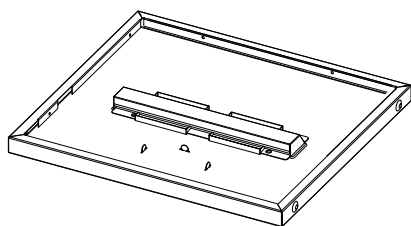
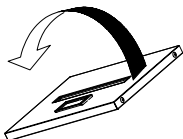
10



Place the part F according to the drawing

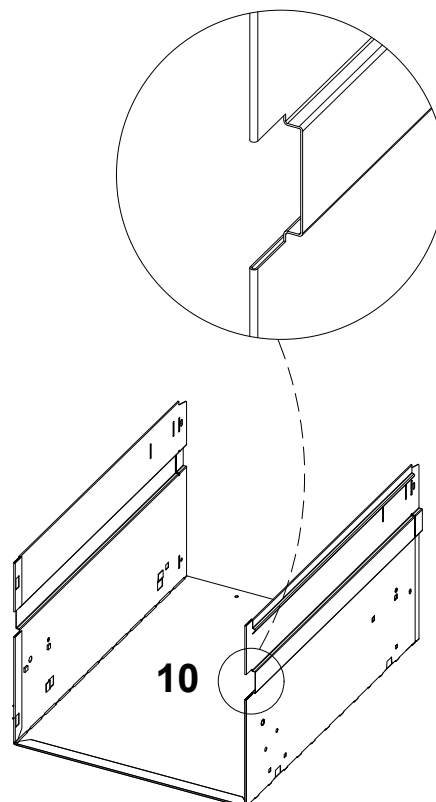
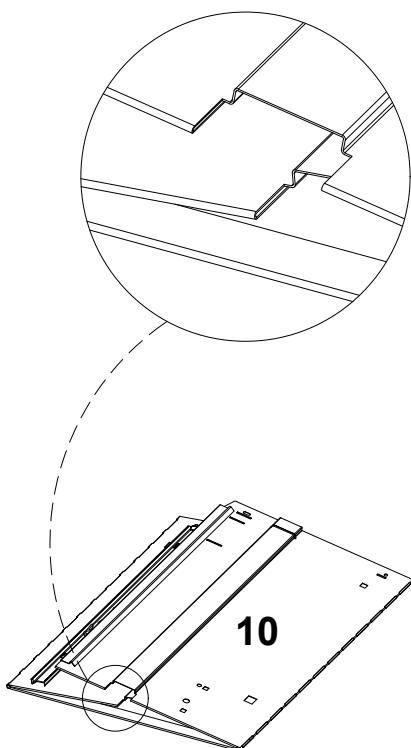


11



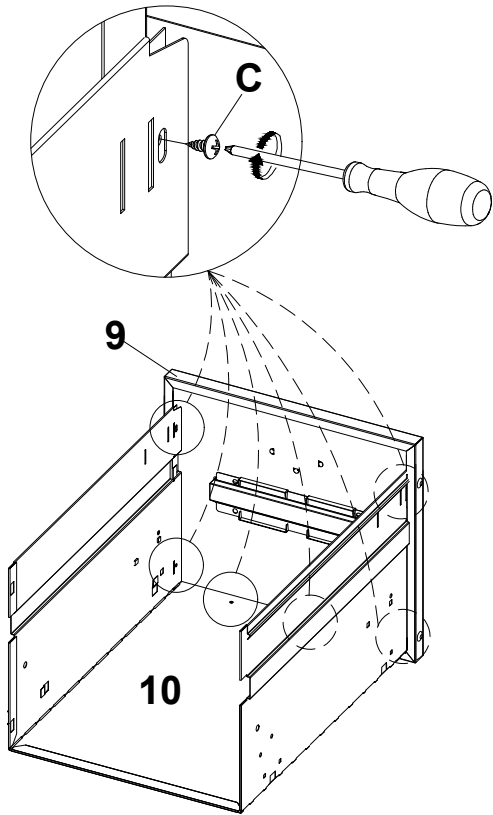
Flat the iron sheet with a screwdriver

12

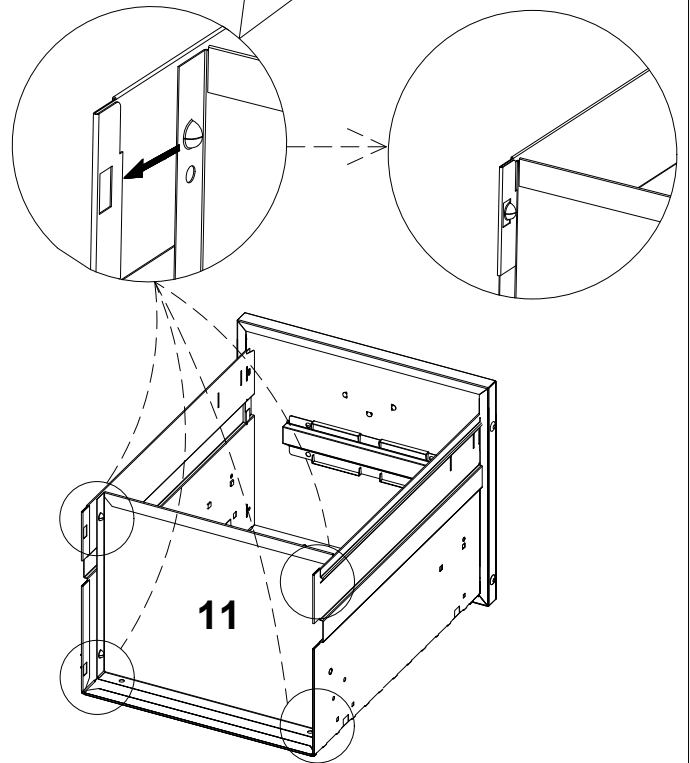


Bend the side walls of the drawer to vertical

13



Tap lightly Rear plug

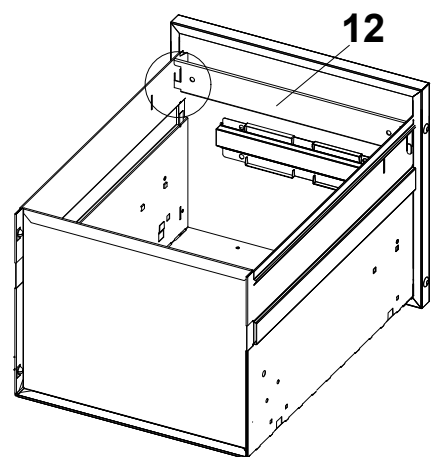
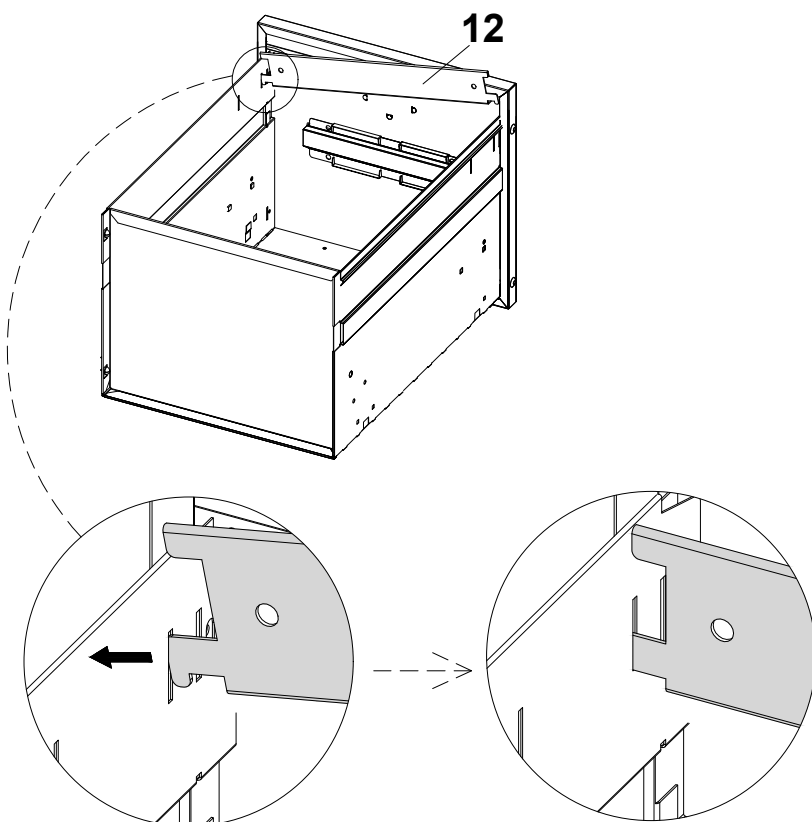


put six screws to hold part 10 into place.

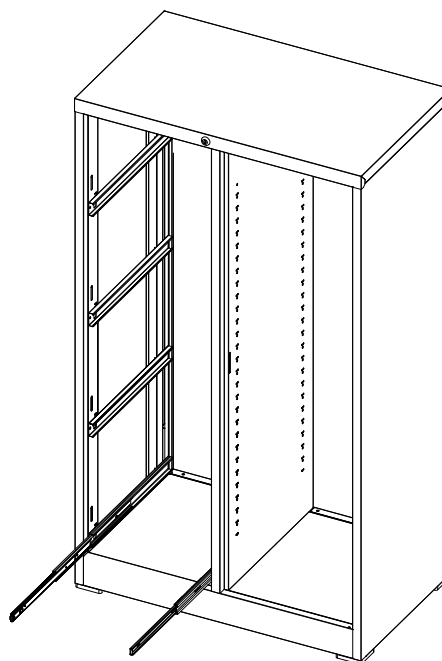
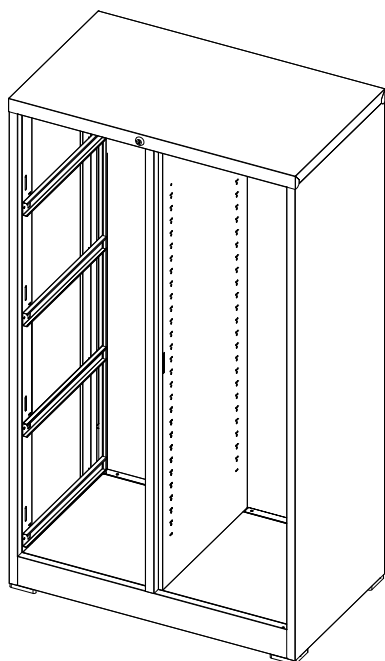


14

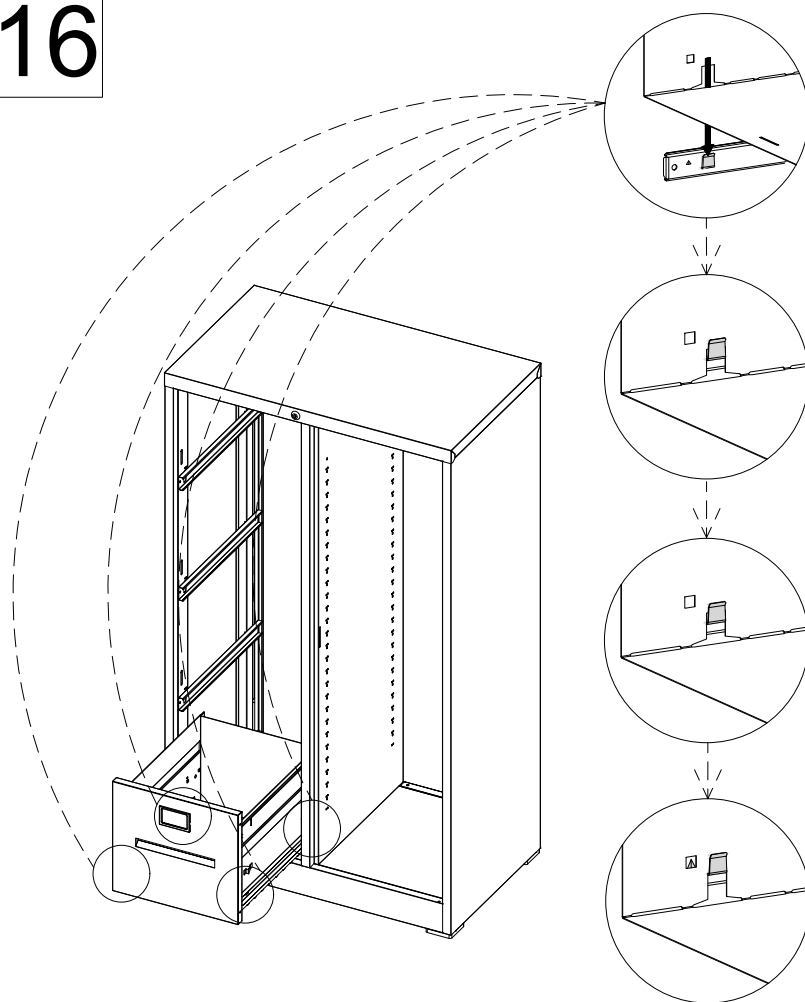
the file hanging bar can be put inside



15



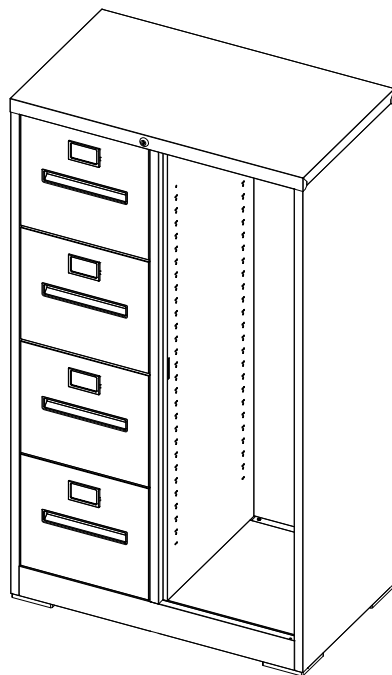
16



1. pull out the small rails in the slide rails on the side walls completely. with two people lifting each side of the drawer, align the four divots on the bottom with the two rail clips on the rails on each side and insert them into the rail clips.

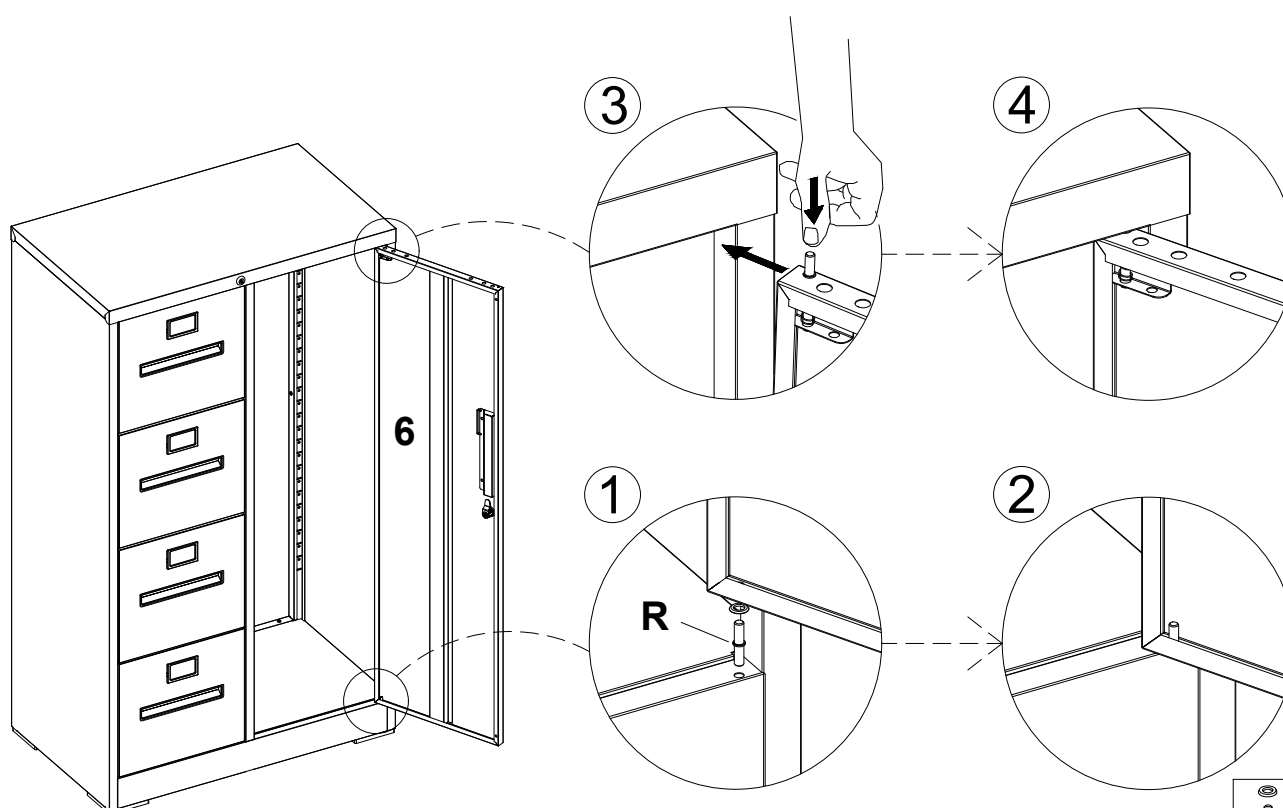
2. After placing the drawer on the rail, press the drawer base down hard enough, paying attention to check the position of the four clips inside until you hear a click four times, which means the drawer is in place

17



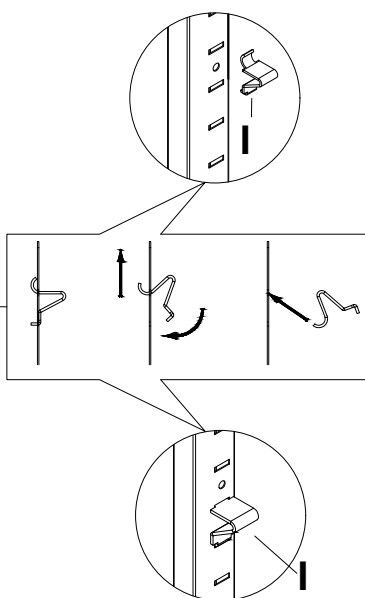
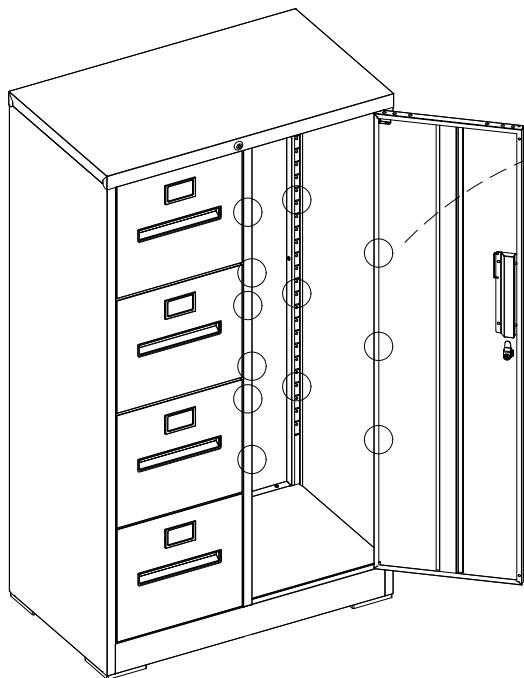
18

Install the door on one side by first installing the door shaft screw R, then by pressing the spring screw on the top of the door.



 R×1

19

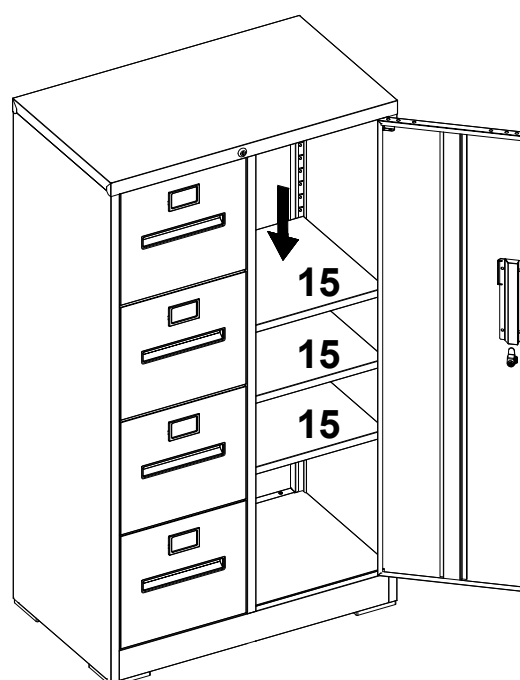
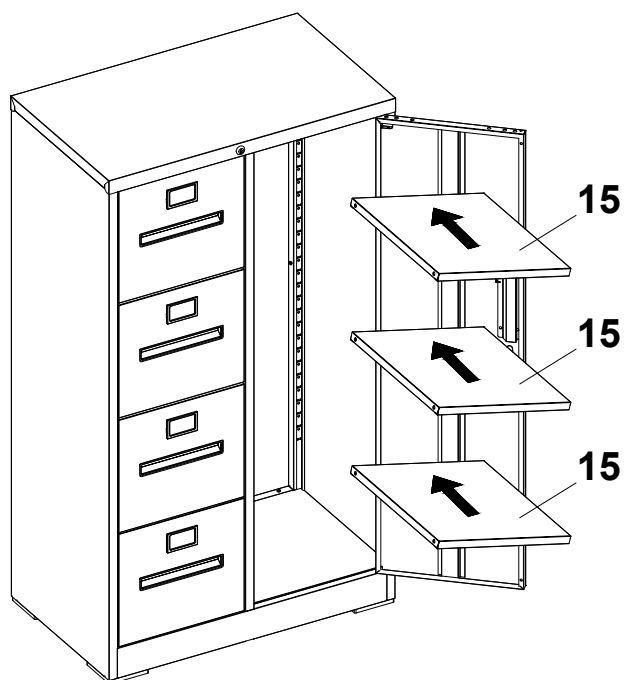


the file hanging bar can be put inside



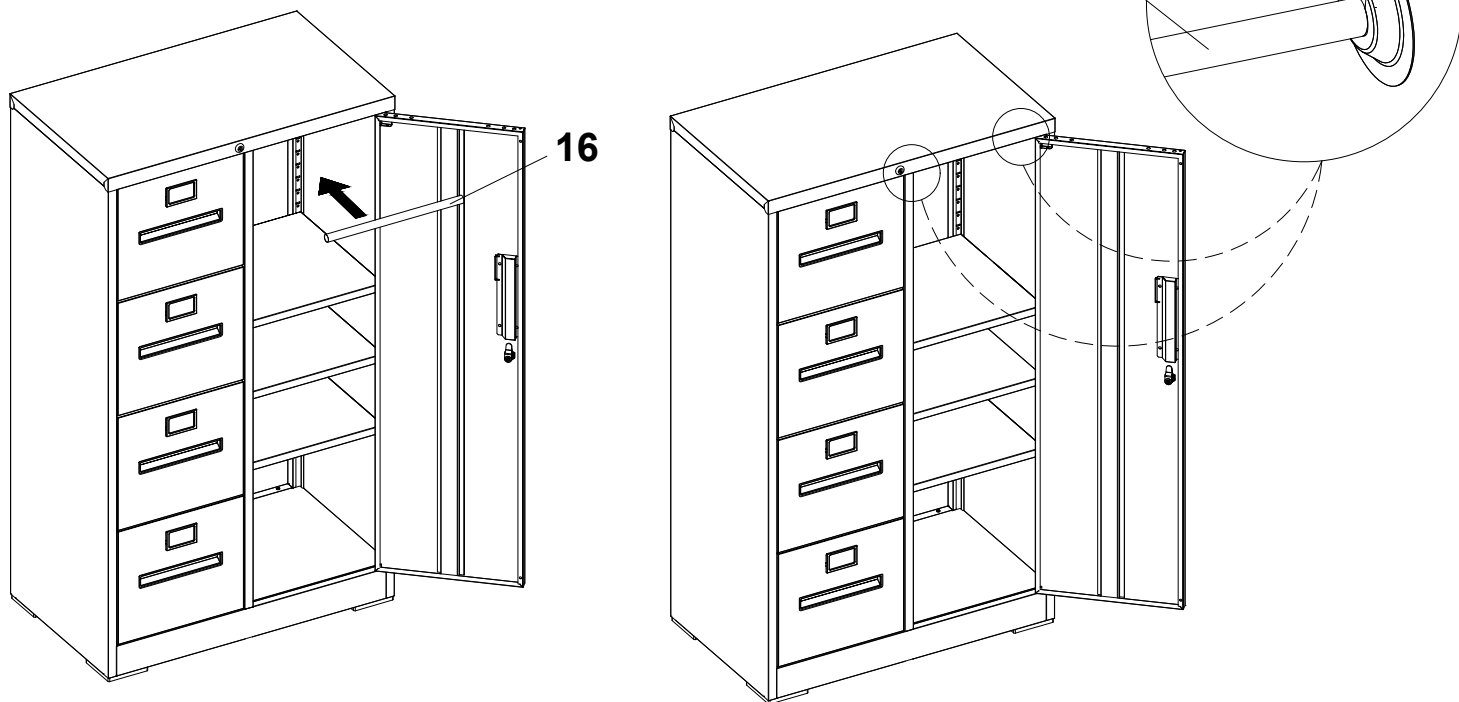
20

Install part 15 in place as shown in the diagram.



21

Install part 16 in place as shown in the diagram.



22

