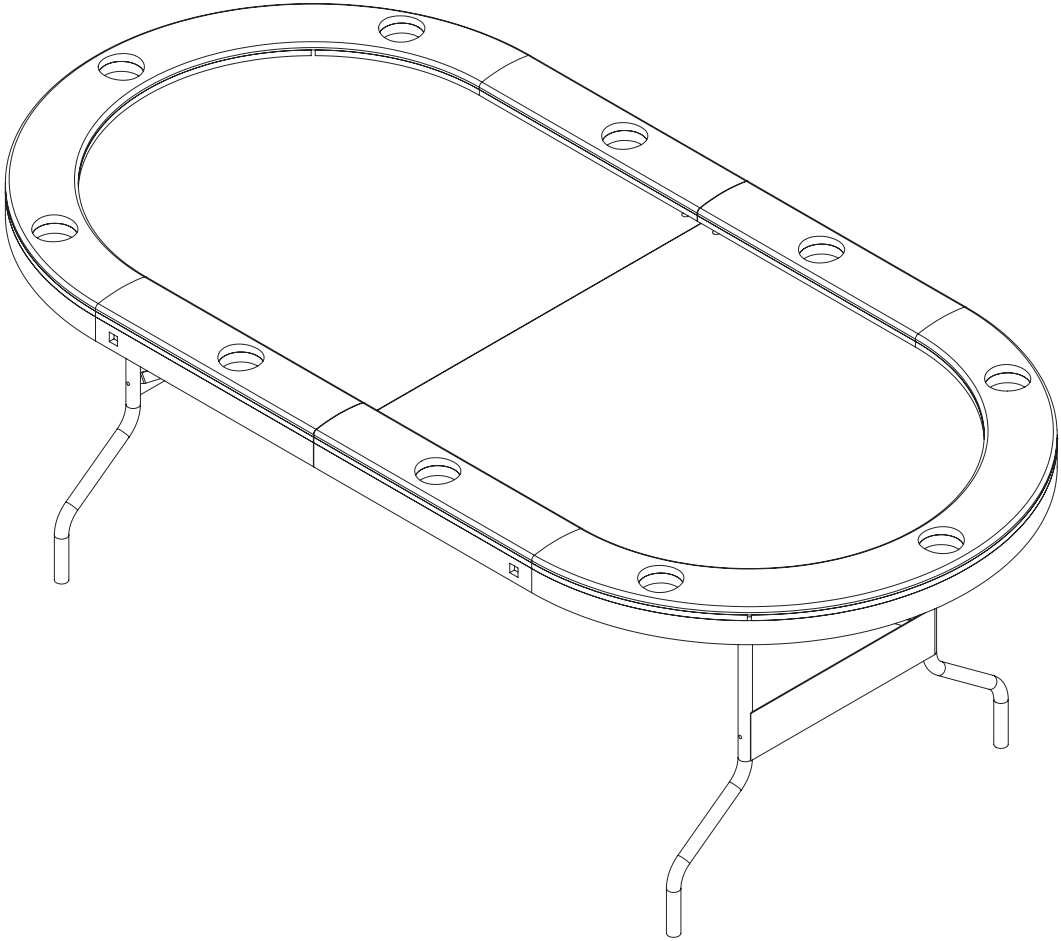
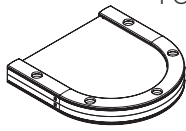



MODE
RQ23004


Assembly Instructions



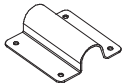
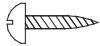
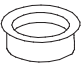





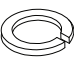
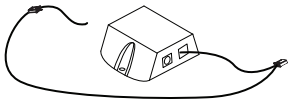
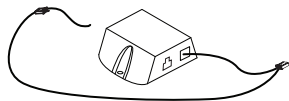

PARTS IDENTIFIER

PART NUMBER	1	FOR FIG. 1	FIG NUMBER
PART			
PART NAME	Foldable Table Tennis Table	x1	QUANTITY
	2	FOR FIG. 2	
			
	Adapter	x1	

HARDWARE

A1		
		x1
	Wrench	

PRE-INSTALLED PARTS



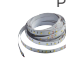
P1	FOR FIG. 2	P2	FOR FIG. 2	P3	FOR FIG. 1	P4	FOR FIG. 2
							
	x4		x16		x10		x4
"U" Bracket		4x12mm Screw		Cup Holder		Outer Leg Cap	
P5	FOR FIG. 2	P6	FOR FIG. 2	P7	FOR FIG. 2	P8	FOR FIG. 2
							
	x1		x1		x1		x1
Steel Wire - A		Steel Wire - B		Butterfly Nut		M5 Nut	
P9	FOR FIG. 2	P10	FOR FIG. 2	P11	FOR FIG. 2	P12	
							
	x1		x1		x1		x2
M5 Spring Lock Washer		Connect Box-A		Connect Box-B		LED	

BEFORE ASSEMBLY

1. Find a clean, level place to begin the assembly of your product.
2. Verify that you have all listed parts as shown on the part list pages. If any parts are missing, call our customer service.

ASSEMBLY

FIG. 1

- 1  x1
Pre-installed
- P3  x10
Pre-installed
- P12  x2

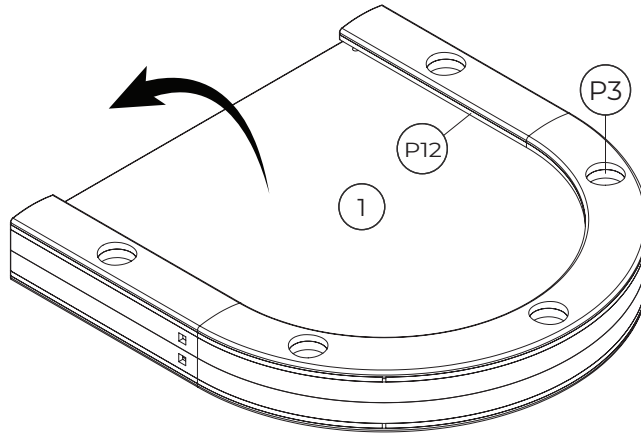

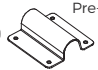
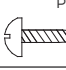


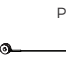



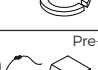

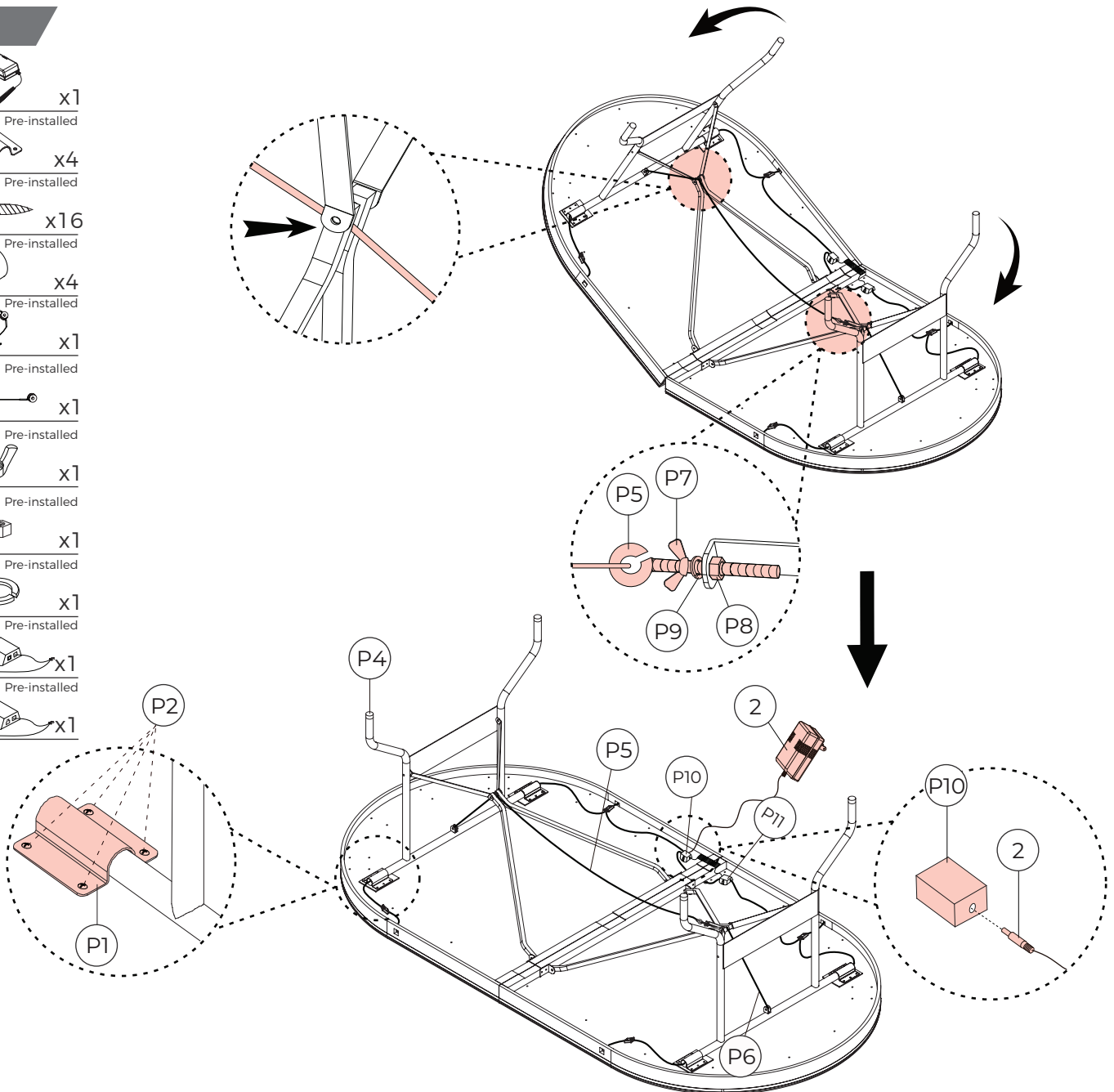


FIG. 2

- 2  x1
Pre-installed
- P1  x4
Pre-installed
- P2  x16
Pre-installed
- P4  x4
Pre-installed
- P5  x1
Pre-installed
- P6  x1
Pre-installed
- P7  x1
Pre-installed
- P8  x1
Pre-installed
- P9  x1
Pre-installed
- P10  x1
Pre-installed
- P11  x1
Pre-installed



ASSEMBLY

FIG. 3

