

CEILING FAN

Installation Instruction

SAFETY INFORMATION

Please read all safety information and instructions before installing the ceiling fan and save this manual for future reference.

CONTENTS

SAFETY INFORMATION	02
PRE-INSTALLATION	03
PARTS LIST	04
INSTALLATION INSTRUCTION	05
OPERATION INSTRUCTION	16
SPECIFICATIONS	17



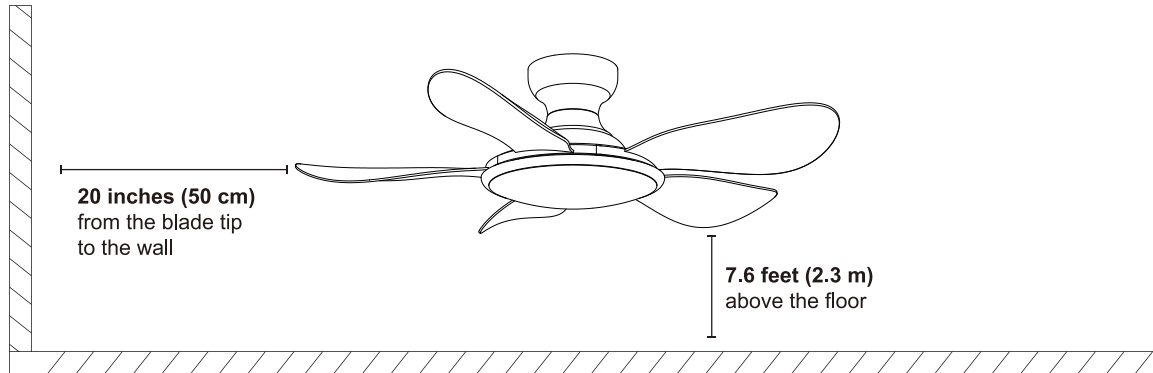
SAFETY INFORMATION



WARNING

- Before connecting the power supply, make sure that the power supply used matches the specifications of the ceiling fan.
- All wiring must comply with national and local electrical codes ANSI/NFPA70. If you are not familiar with wiring, please use a qualified electrician.
- To reduce the risk of fire or electric shock, turn off the power to the fuse box or circuit breaker before installing the fan.
- To reduce the risk of personal injury, attach the fan directly to the building's support structure and ensure that it can accept at least 35 pounds (15.9 kg).
- Make sure that the installation location allows the fan blades to rotate without obstacles.

Installation Location





WARNING

- Do not install the fan with wet hands.
- Do not insert foreign objects between the rotating fan blades.
- Do not bend the fan blades when installing or cleaning the fan.
- Do not disassemble or modify this product or use non-original parts without permission.
- Keep children away from your working area.
- Properly dispose of the fan's packaging material.
- Make sure the ceiling fan is firmly secure to the ceiling. Double check all connections before you restore power.
- Turn off the fan and wait for the blades to stop completely before performing any maintenance or cleaning.

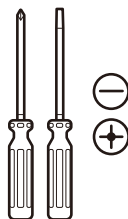
PRE-INSTALLATION

Tools Required (Not Included)



Power Drill

Mounting Bracket Installation



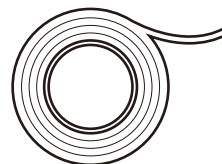
Screwdriver

Fan Blade Installation



Wire Stripper

Wiring Instruction



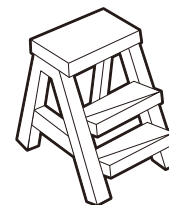
Electrical Tape

Wiring Instruction



Battery X 2

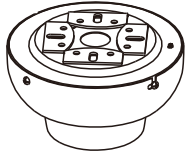
Type:LR03 OR AAA
(Goes in the remote control)
(Batteries not included)



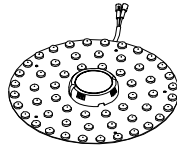
Step Ladder



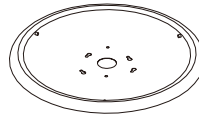
Parts List



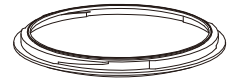
Mounting Bracket + Canopy x1



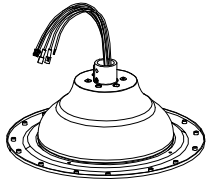
LED Module x1



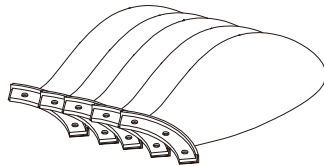
Light fixture frame x1



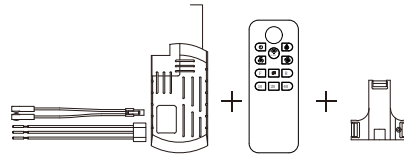
Lamp shade x1



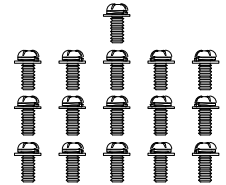
Motor x 1



Fan Blades x 5



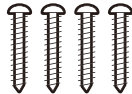
Receiver + Remote Control + Bracket x 1



Blade Screws x 16



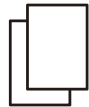
Expansion Bolts x4



Self-tapping Screws x 4



Remote Bracket Screws x2

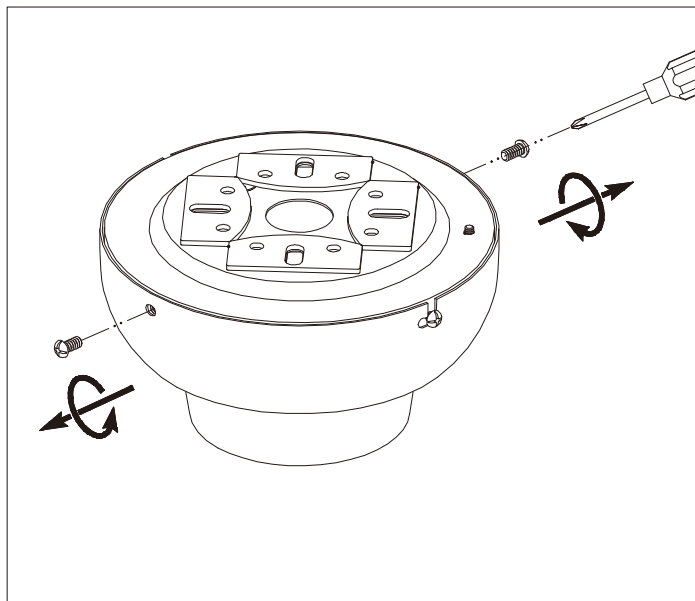


Balance Kits x 2

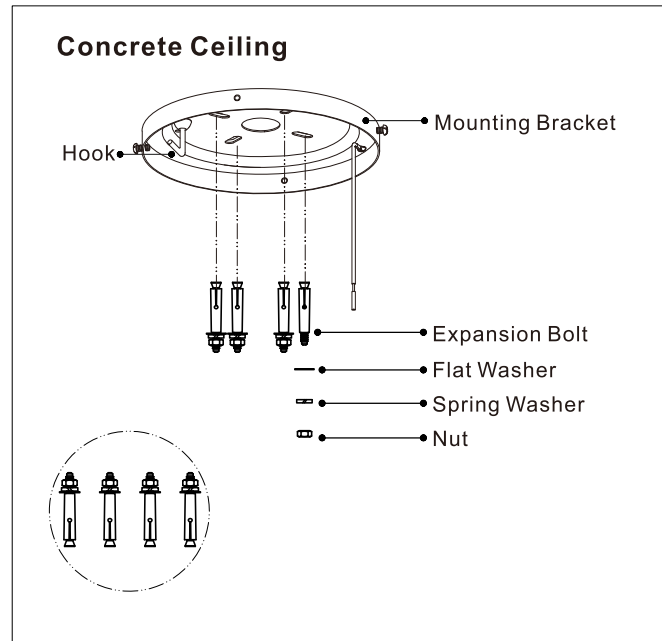


INSTALLATION INSTRUCTIONS

Step 1: Installing the Mounting Bracket



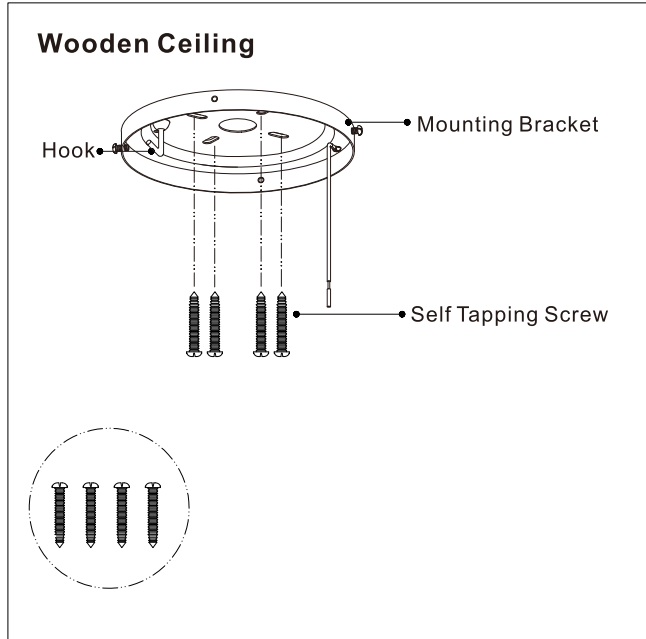
Disassemble the screws on the mounting bracket.



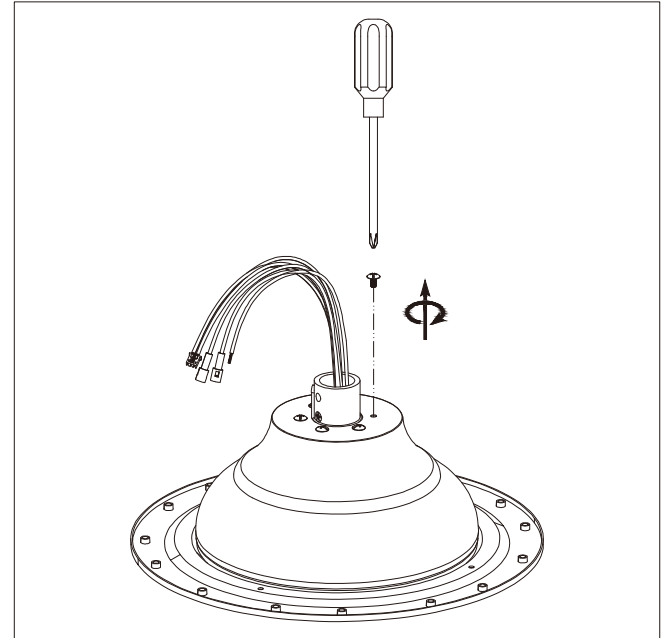
1. Drill holes with electric drill ($\Phi 8$ mm).
2. Use expansion screws to fix the mounting bracket to the ceiling.



Step 2: Remove the 6 screws on the motor cover

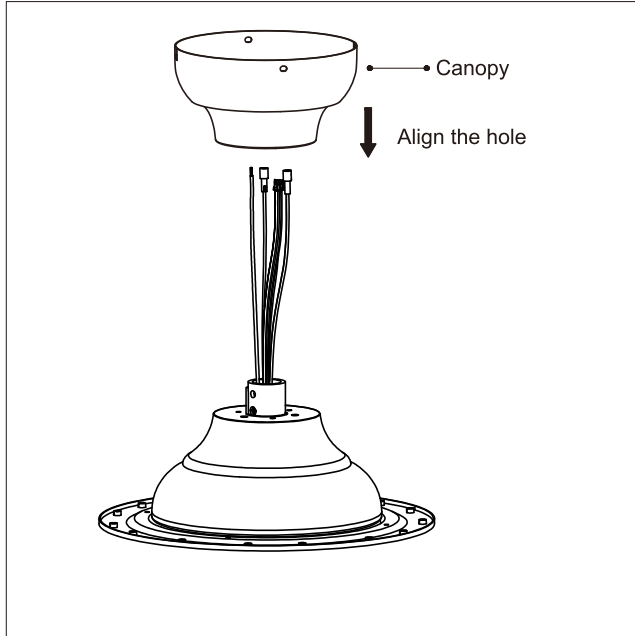


Fasten the mounting bracket to the ceiling with self tapping screws.

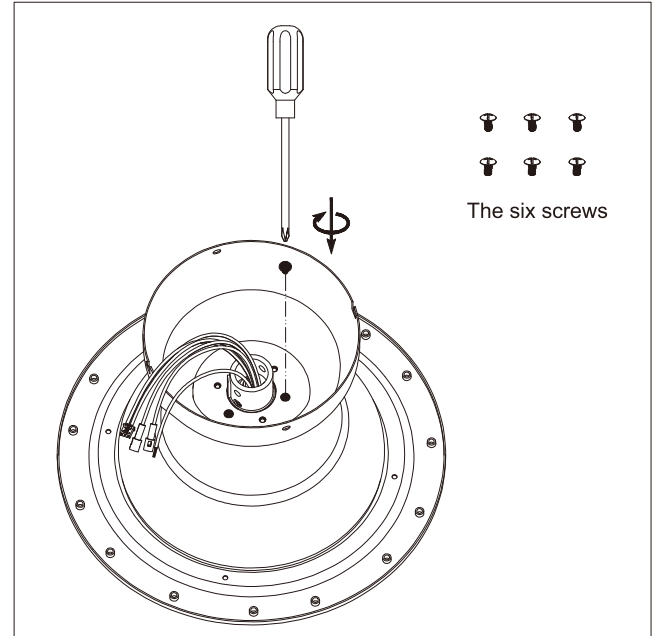




Step 3: Install ceiling Canopy

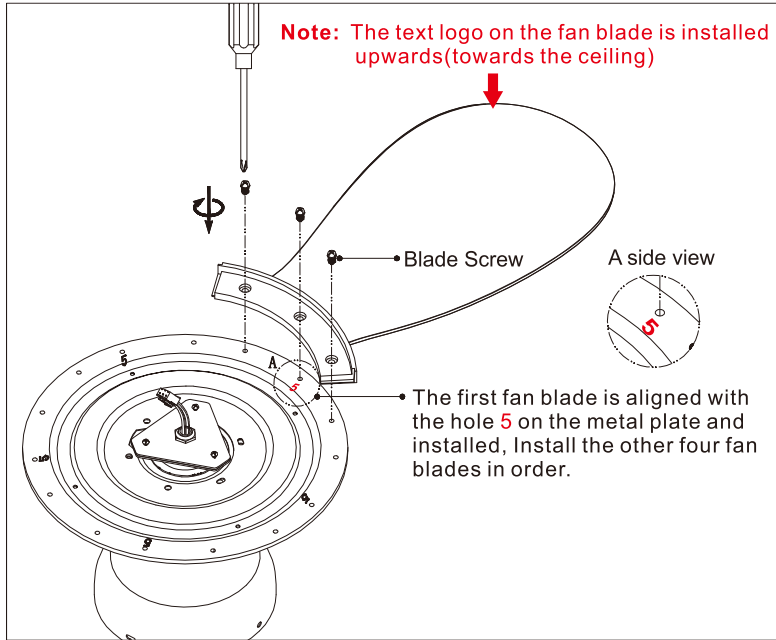


Step 4: Lock the ceiling Canopy





Step 5: Install fan blades



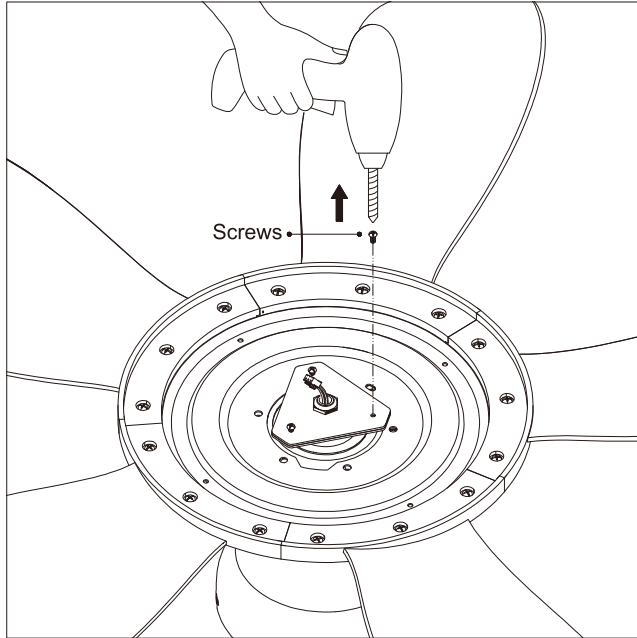
Fix the ceiling fan blade, align it with the center hole, and tighten the screws on the ceiling fan blade.

Note:

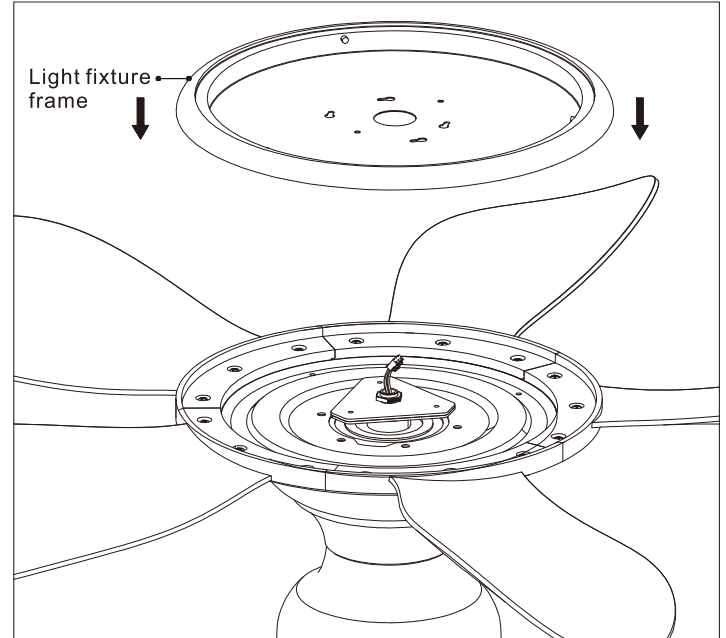
Do not fully tighten the screws when installing the blades; then tighten all the screws after all the fan blades are installed.



Step 6: Remove the screw from the triangular piece

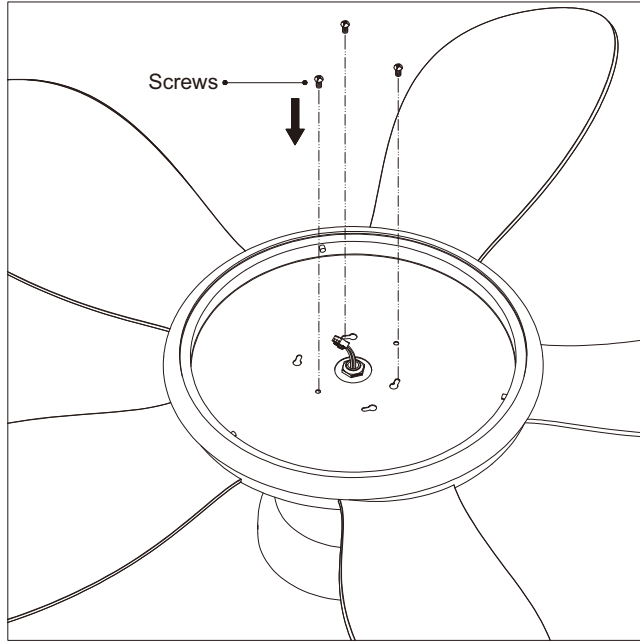


Step 7: Install the light fixture frame

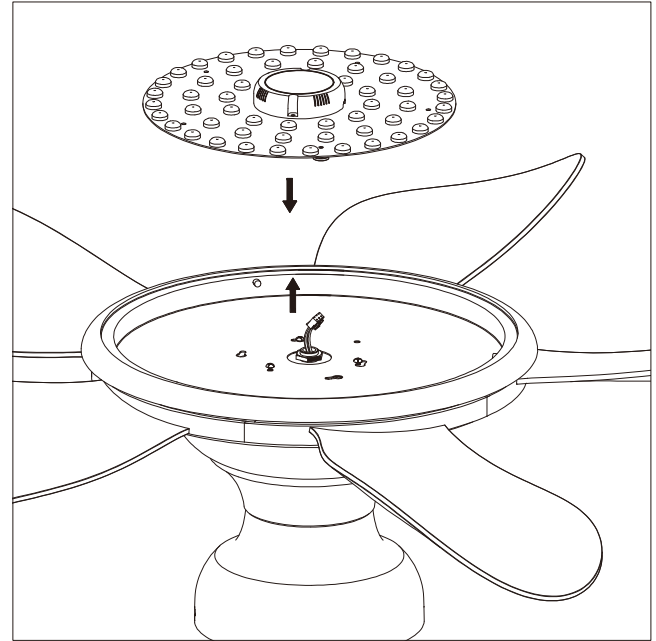




Step 8: Lock the light fixture frame with screws until it is tightened

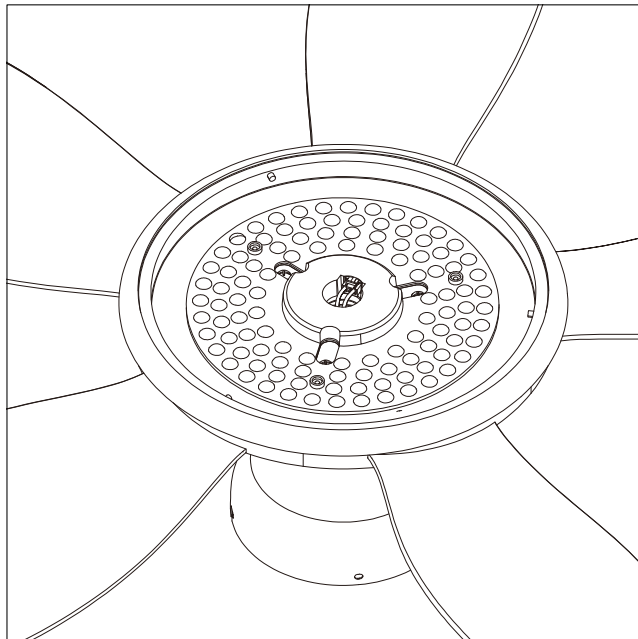


Step 9: Insert the LED Module terminal wire

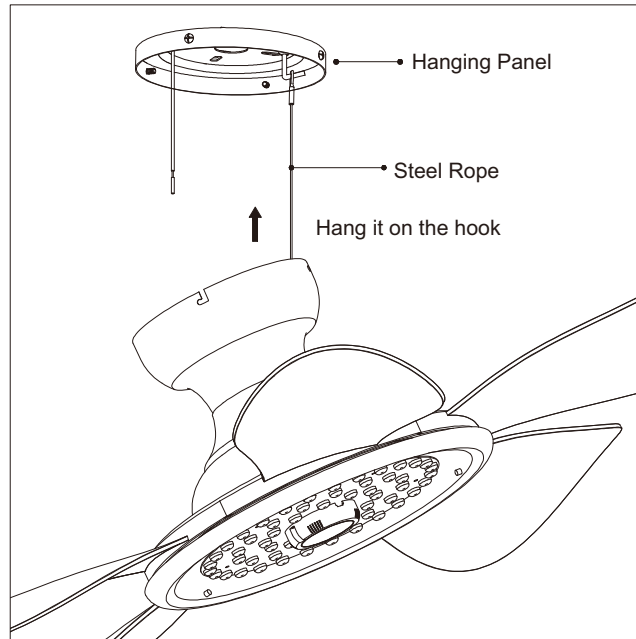




Step 10: Adsorb the LED module in the middle of the light fixture frame



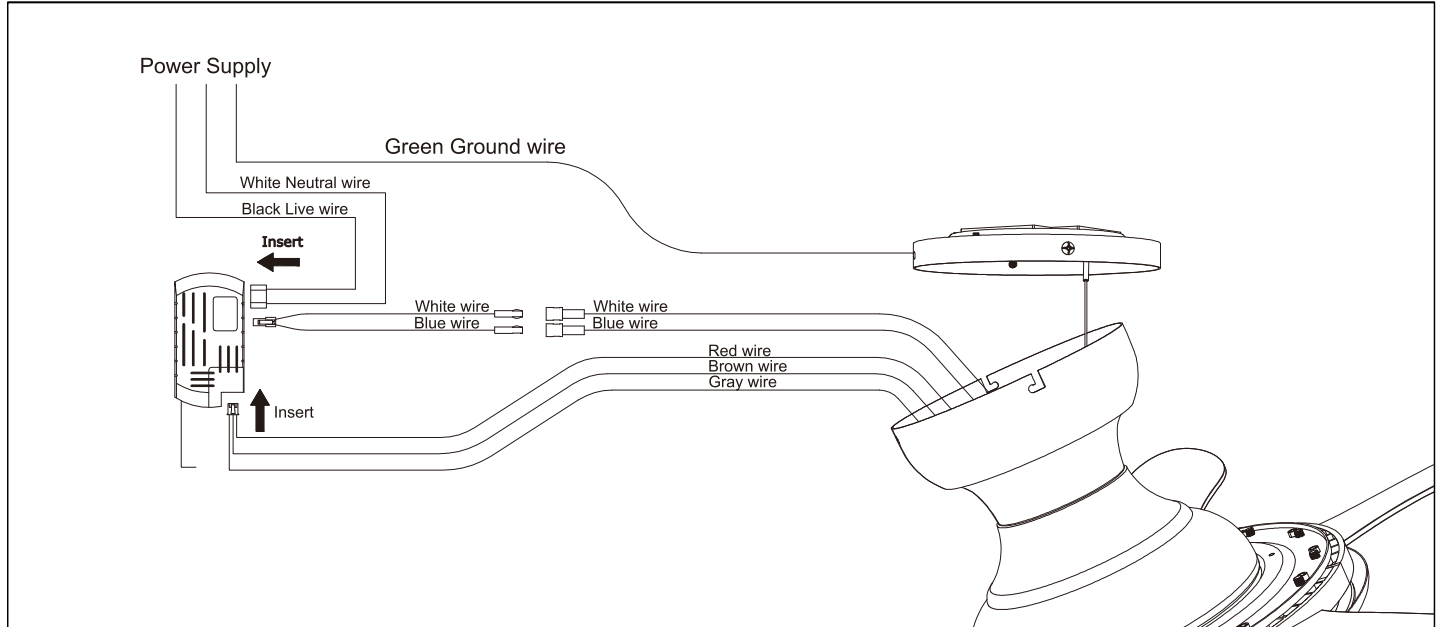
Step 11: Hang the fan body on the hook on the mounting bracket





Step 12: Wiring Instruction

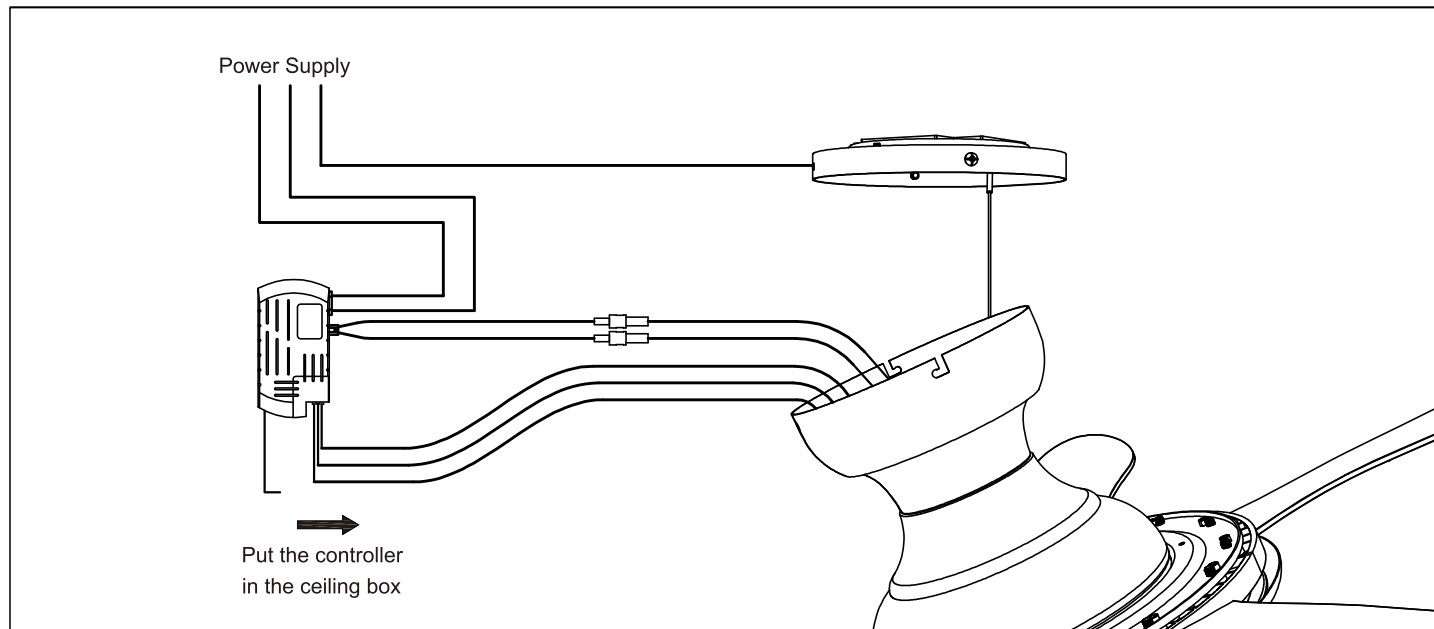
⚠ Shut off the power to the fuse box or circuit breaker before wiring



The receiver is connected to the motor power cord and the ceiling power cord respectively.

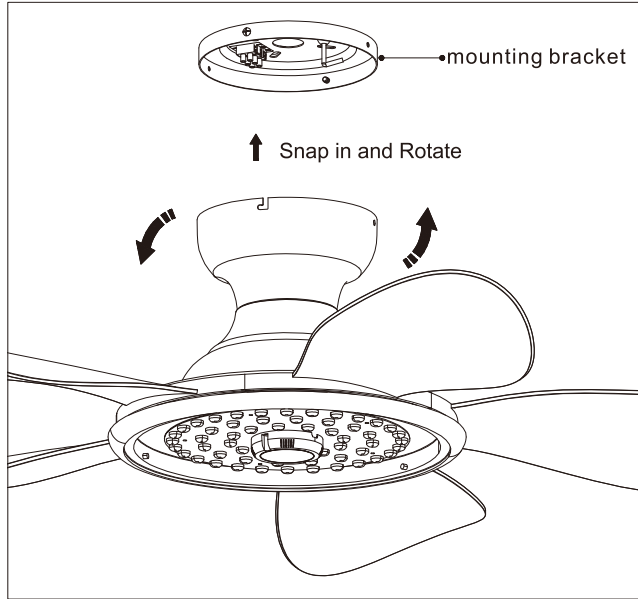


Step 13: Put the controller into the ceiling box

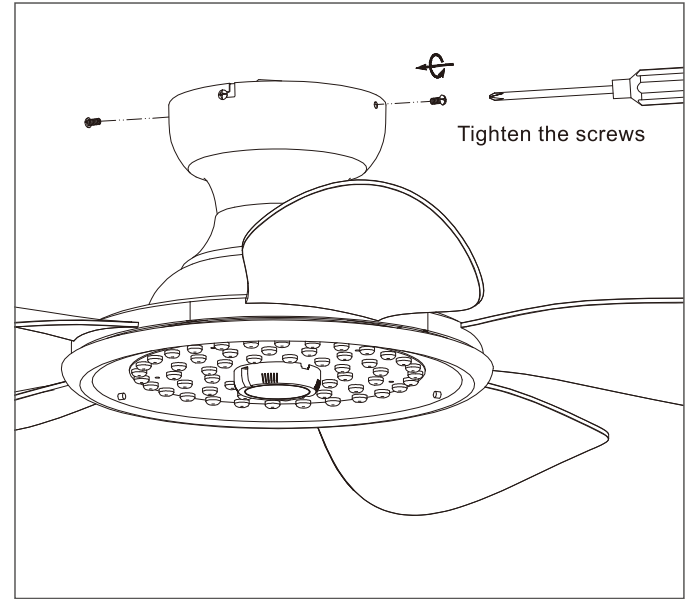




Step 14: Insert the fan body slot and rotate it clockwise to fix it on the two screws of the mounting bracket

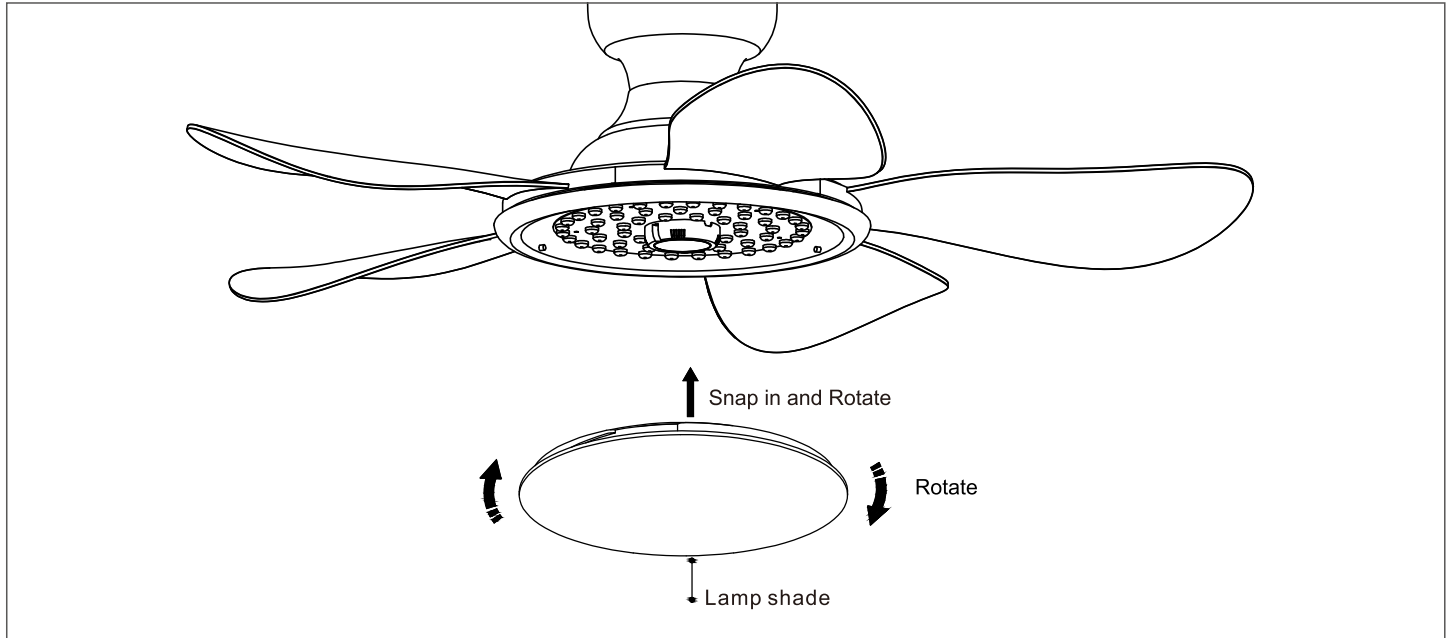


Step 15: Lock the fan body with screws and fix it on the mounting bracket





Step 16: Tighten the lampshade



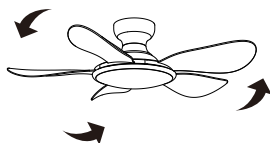


Note:

Sensing Distance: 33 ft - 49 ft (10m - 15m)
Direction of the fan / Reverse Switch.

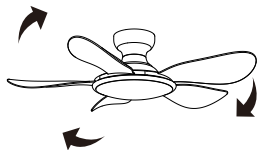
SPECIFICATIONS

Reversible Function



Summer (Forward):

A downward airflow creates a cooling effect.




Winter (Reverse):

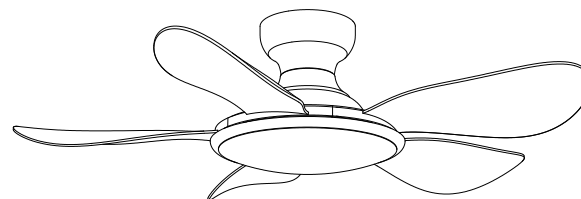
An upward airflow increases the indoor temperature.

PS: If you want to change the fan's rotation direction, please press the reverse switch button while the fan is running.

Timing Control

- 1H: The fan will automatically shut off after 1 hour.
- 2H: The fan will automatically shut off after 2 hours.
- 4H: The fan will automatically shut off after 4 hours.

Close the Timing Control: Press the button  "FAN ON/OFF"



Product Name	52-Inch Ceiling Fan
Rated Voltage	120V
Motor Power	40W
control method	Remote Control
Lamp configuration	36W Bi-Color LED
lampshade size	Φ345mm
Fan blade	5 ABS fan blades

TROUBLESHOOTING

If there is a problem with the fan during use, please check the following tips for solutions. If the problem still cannot be solved, please contact our after-sales team.

The Fan Does Not Respond to the Remote Control.

- Check that all wire connections are correct and secure.
- Verify that the power is turned on and reaching the receiver.
- Verify that the batteries of the remote control are installed with the correct polarity, making sure to install the + (positive) end of the batteries on the solid end and the - (negative) end on the spring.

The Fan Makes a Humming Noise.

- Make sure the controls you use are supplied with your fan.
- Make sure all accessories are securely fastened. Loose parts often cause a vibrating noise or buzzing sound.
- Disassemble the fan and reinstalling it can sometimes remedy this resonant vibrating noise.

The Fan Makes a Repetitive Ticking Noise.

- Check for obstructions in the rotor path.
- Make sure mounting hardware at the ceiling is firmly fastened.
- Make sure all other hardware and blade attachments are tight.
- Give the fan a "Break in Period" of a few hours to a few days, then repeat the steps above.

The Fan Wobbles.

- Make sure the mounting plate and hardware at the ceiling are firmly fastened.
- Make sure all screw fittings on the fan are tight.
- If necessary, use the self-tapping screws provided to further secure the bracket to the joist.