

ASSEMBLY INSTRUCTIONS

HOUSE BED

IMPORTANT: READ THESE INSTRUCTIONS CAREFULLY BEFORE ASSEMBLING OR USING THIS PRODUCT.

PLEASE KEEP THESE INSTRUCTIONS FOR FUTURE REFERENCE.

HEALTH & SAFETY:

DO NOT jump on this bed frame.

DO NOT use this bed frame if any parts are missing, damaged or worn.

DO NOT use this bed frame unless all fixings are secured.

Please keep small parts out of reach of children.

Always use on a level, even surface.

WARNING: If this bed is placed on a non-carpeted floor you must place some protection under all legs to stop the bed frame from moving. If this is not adhered to there is no guarantee if the bed frame collapses.

CARE & MAINTENANCE:

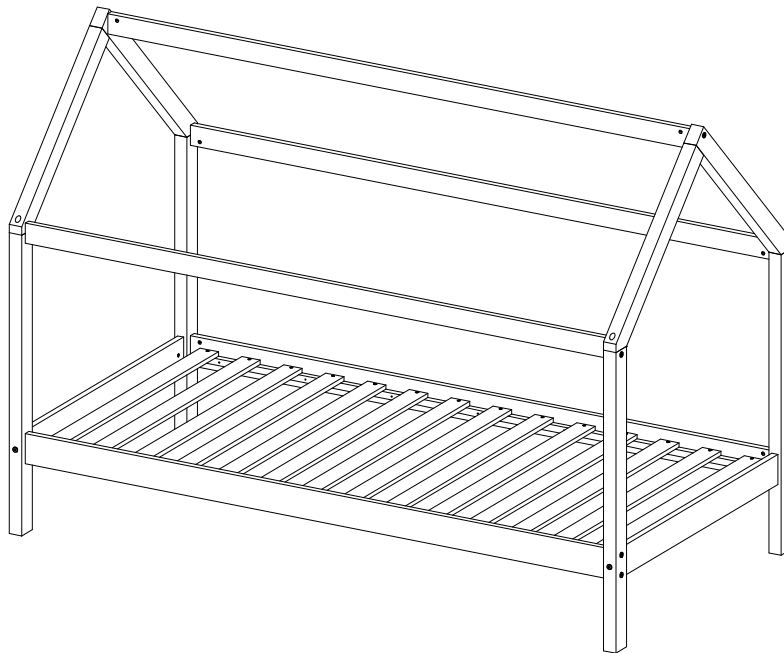
Assemble in the room of use.

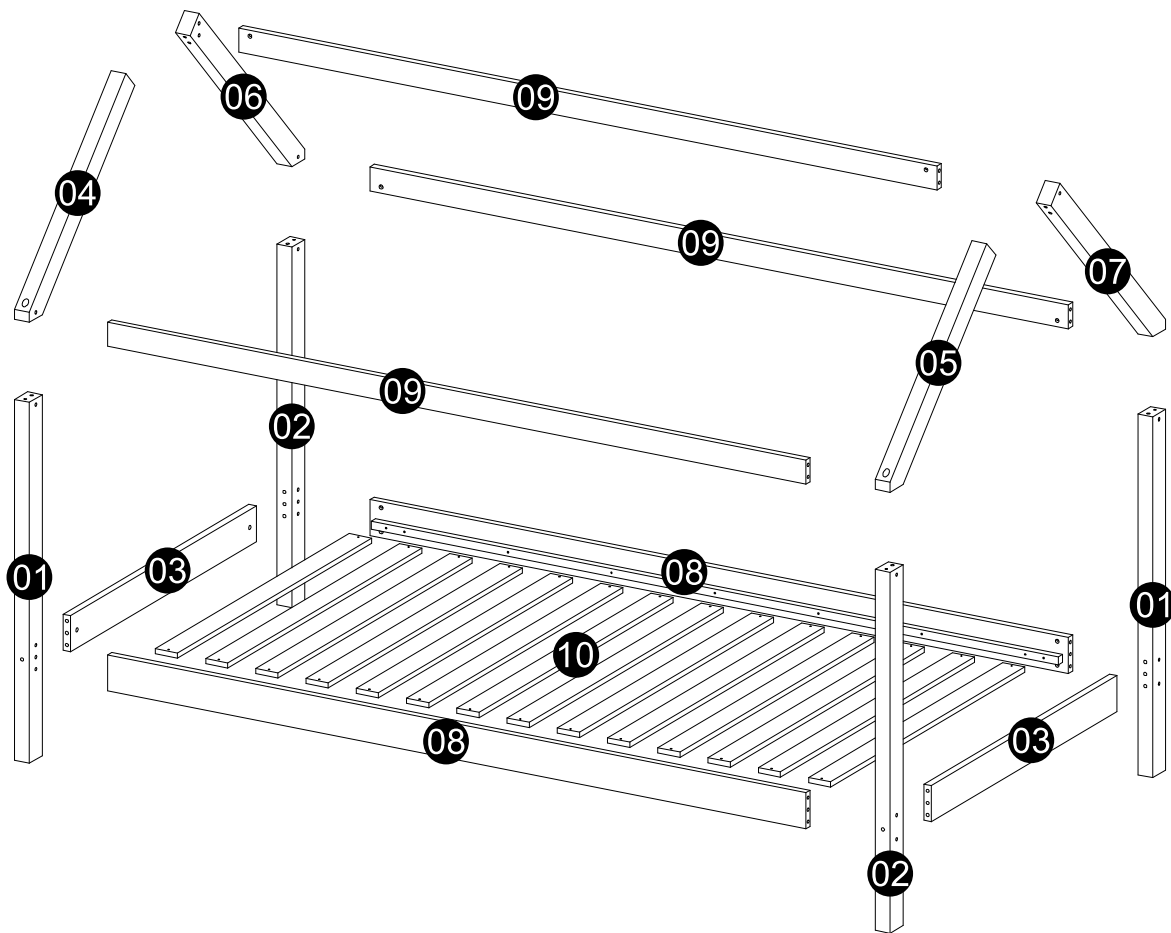
Periodically check all screws & fixings to ensure they are secure.

DO NOT push the bed frame as this will damage the legs.

Always lift the bed with two people to reposition.

Keep any sharp objects away from the frame.


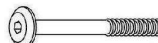










PARTS LIST

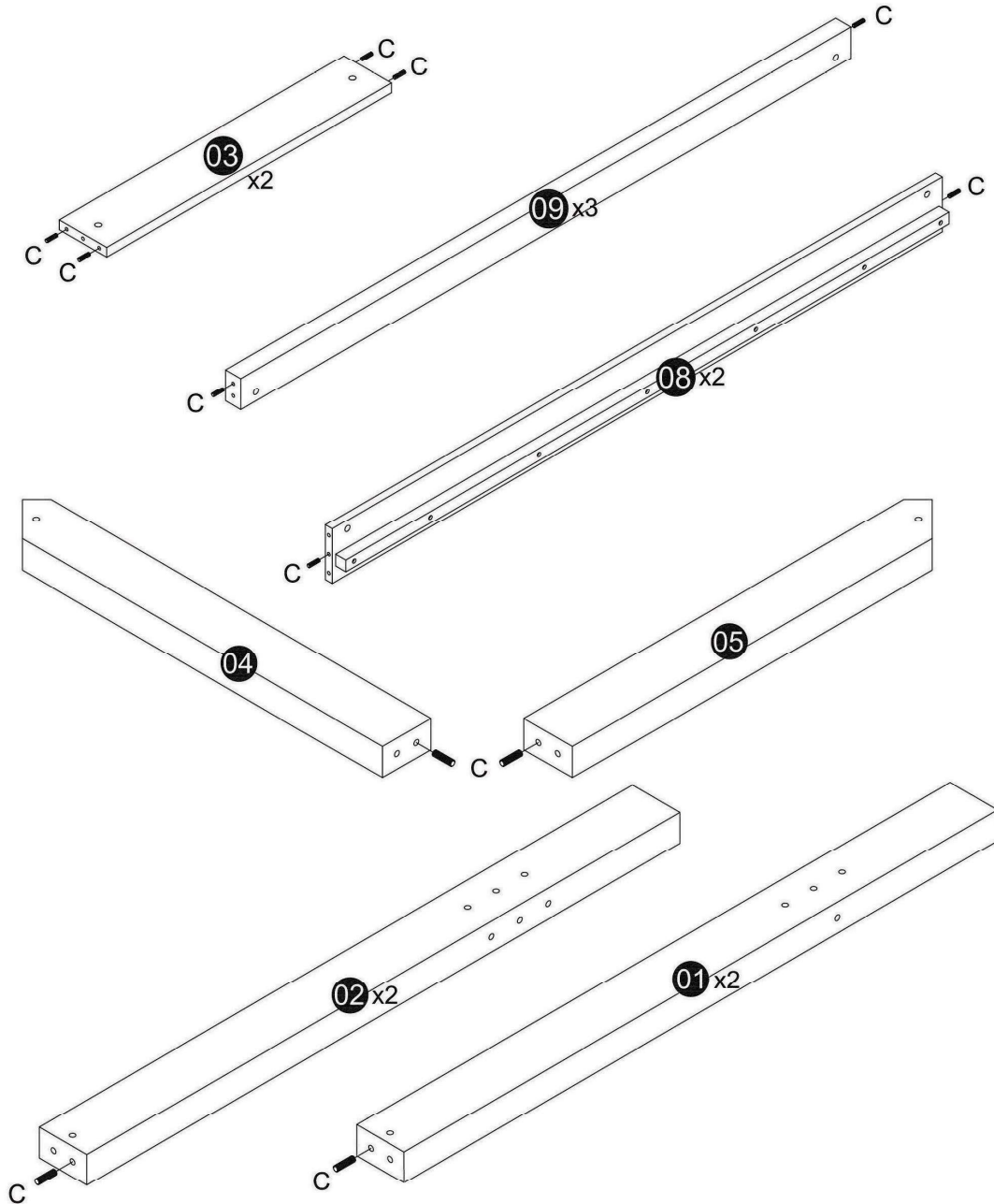
01	Left front & Right rear corner panels	2	06	Back left roof panel	1
02	Right front & Left rear corner panels	2	07	Back right roof panel	1
03	Support rails	2	08	Side rail	2
04	Front left roof panel	1	09	Cross bars	3
05	Front right roof panel	1	10	Slats	14

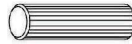
HARDWARE

A	 M6x80mm	14	E	 Φ 6x100mm	2
B	 M6x100mm	4	F	 Φ 6x80mm	4
C	 Φ 8x30mm	24	G	 Φ 4x30mm	28
D		18	H		1

STEP 1

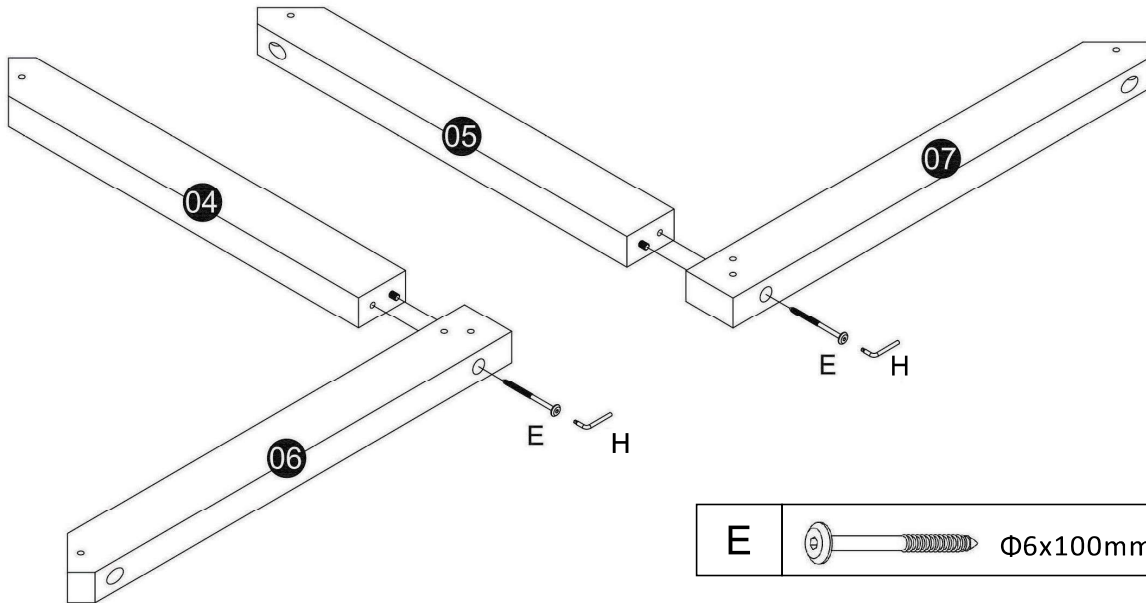
Insert hardware part (C) into the Left front & Right rear corner panels (1) the Right front & Left rear corner panels (2), support rails (3), Front left roof panel (4), Front right roof panel (5), Side rail (8) and Cross bars (9).



C		Φ8x30mm	24
---	---	---------	----

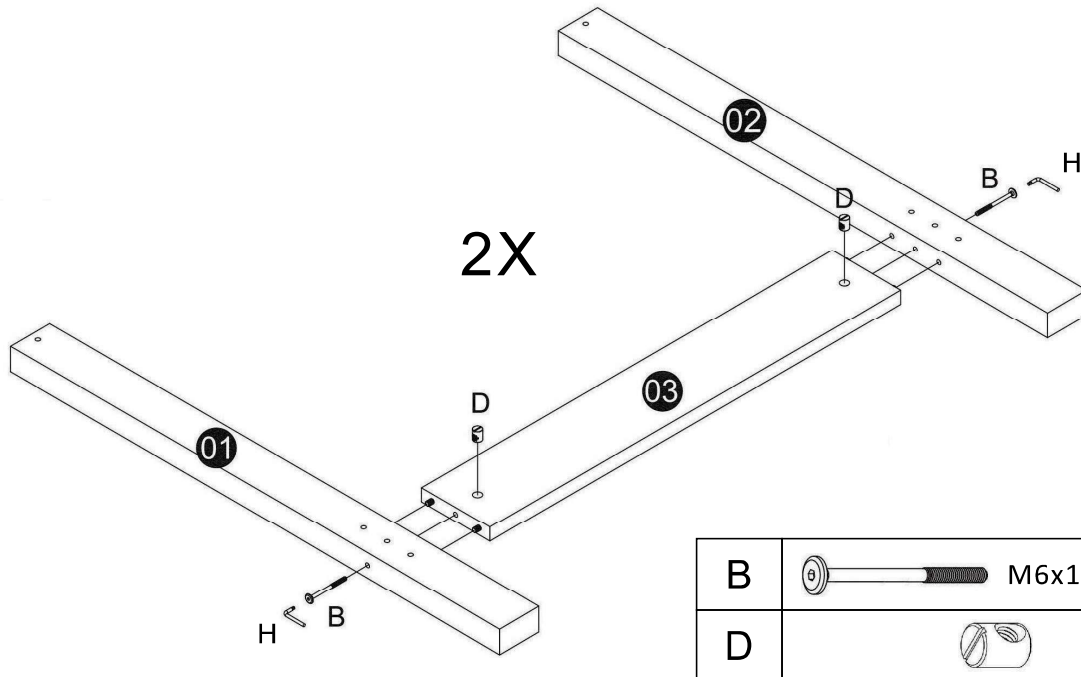
STEP 2

Attach the Front left roof panel (4) and Back left roof panel (6) using hardware parts (E) and (H). then attach the Front right roof panel (5) and Back right roof panel (7) using hardware parts (E) and (H).



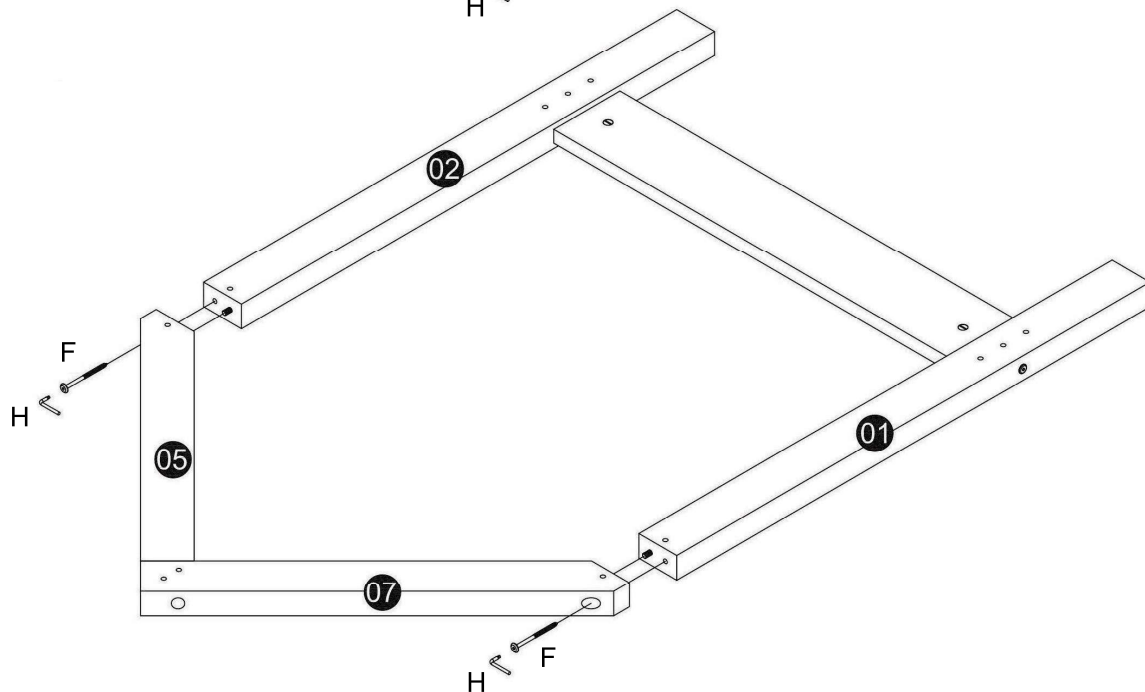
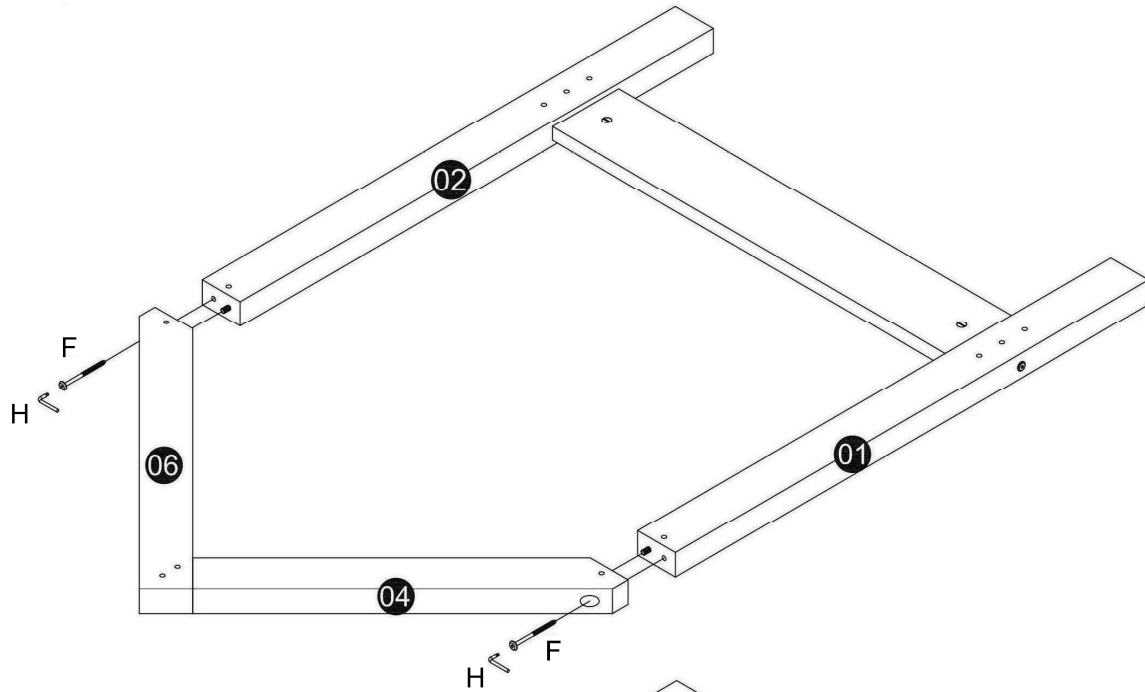
STEP 3


Attach the Support rails (3) to the Left front & Right rear corner panels (1) and Right front & Left rear corner panels (2) using hardware parts (B), (D) and (H).



STEP 4

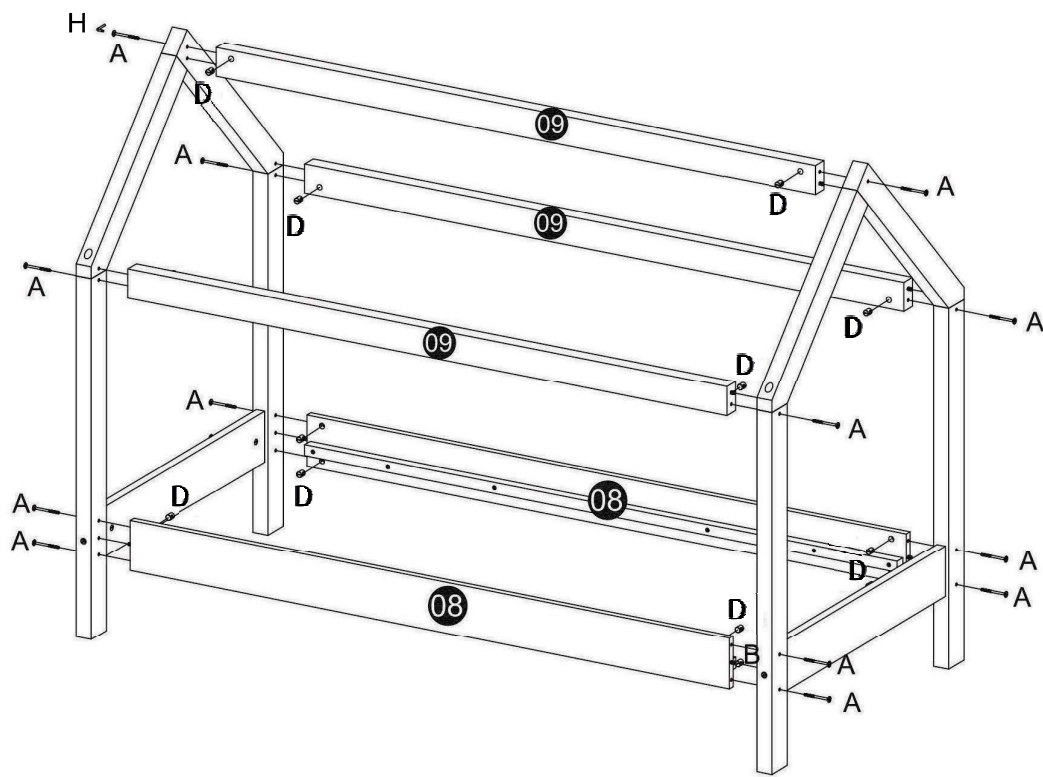
Attached the roof panels (4), (6), (5) and (7) to the corner panels (1) and (2) using hard-ware parts (F) and (H).





F		Φ6x80mm	4
---	---	---------	---

STEP 5

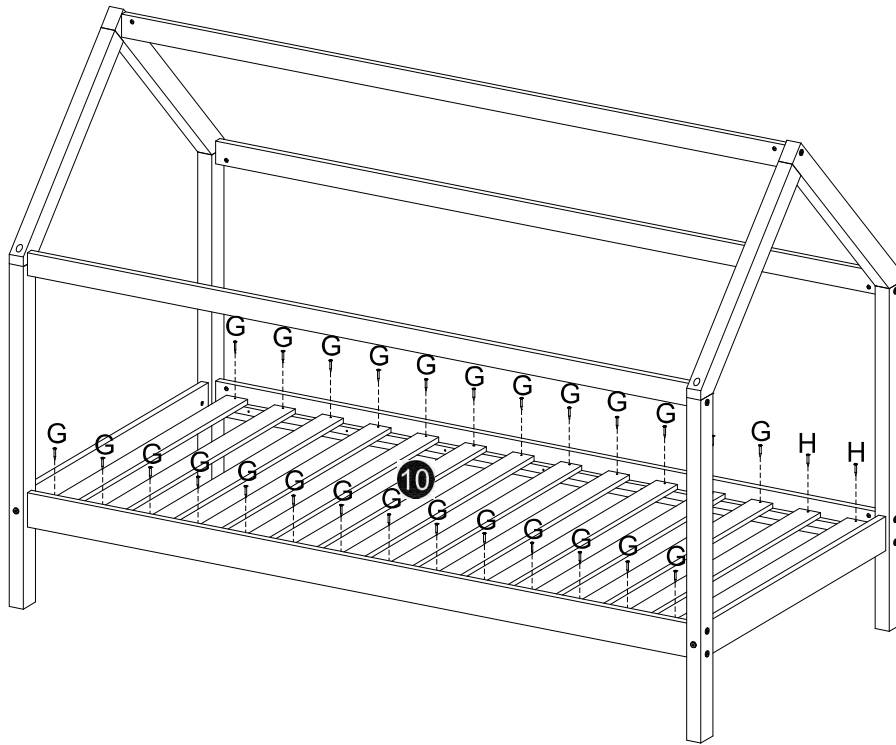
Attach the Side rails (8) and the Cross bars (9) to the assembled panels using hardware parts (A), (D) and (H).




A	 M6x80mm	14
D		14

STEP 6

Attach the slats (10) by using hardware parts (G) and a screwdriver (not provided).



G		Φ4x30mm	28
---	---	---------	----