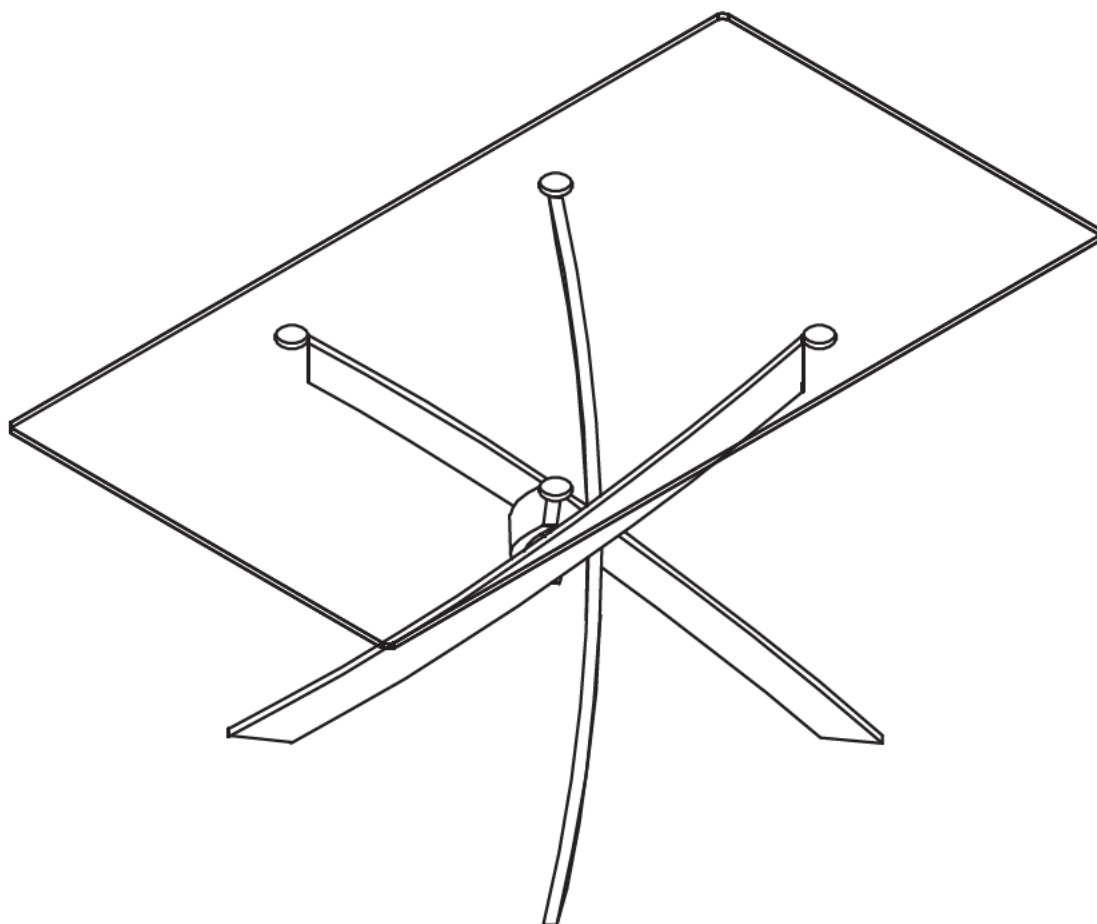


INSTRUCTION MANUAL




Attention :

If you encounter any problems during installation or use, pls feel free to contact us on shopping platform. We will provide you with a satisfactory solution within 24 hours.

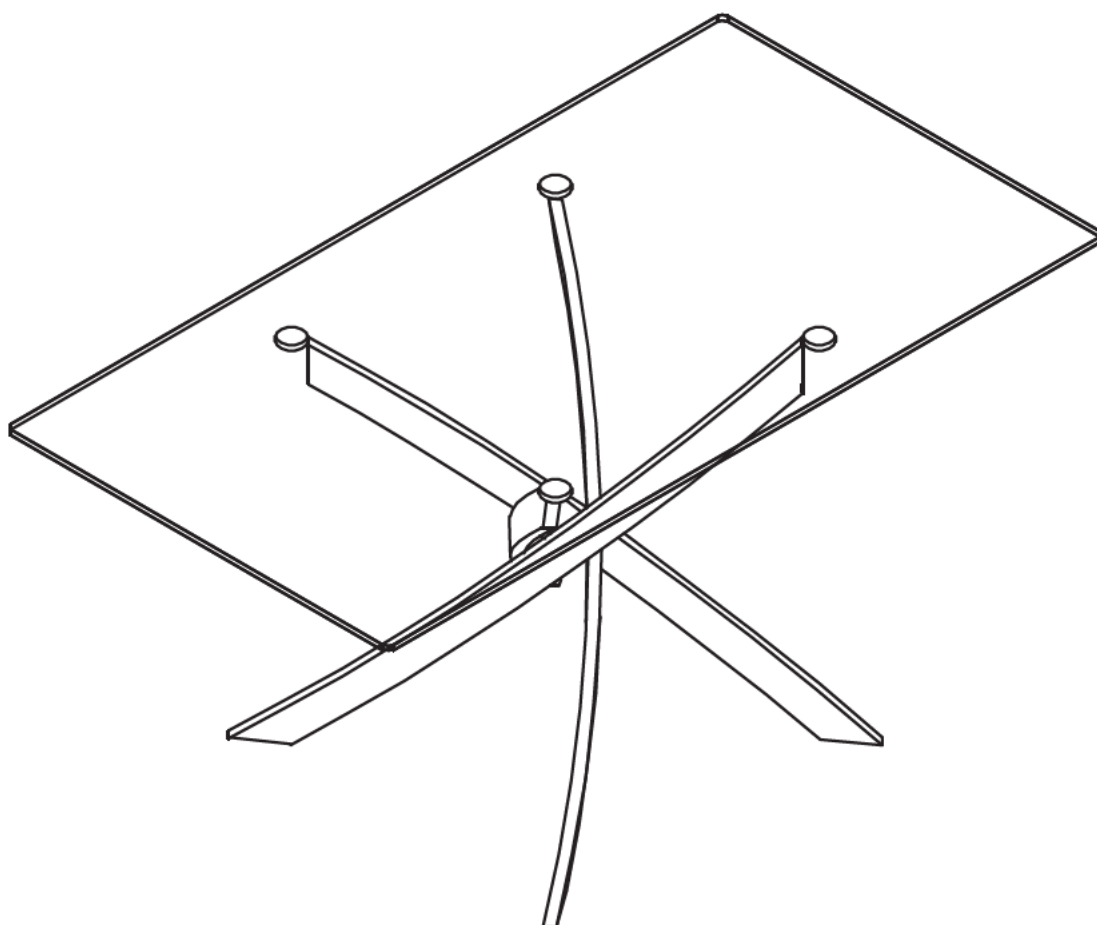
Dining Table


 1 - ITEMS DELIVERED-TECHNICAL DATA

 2 - ASSEMBLY

 3 - CLEANING AND MAINTENANCE

 1 - ITEMS DELIVERED-TECHNICAL DATA



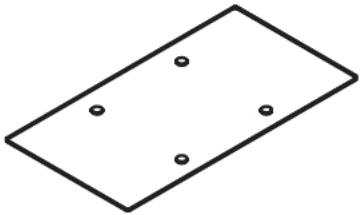










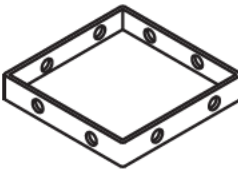

TO RISE

YOURSELF



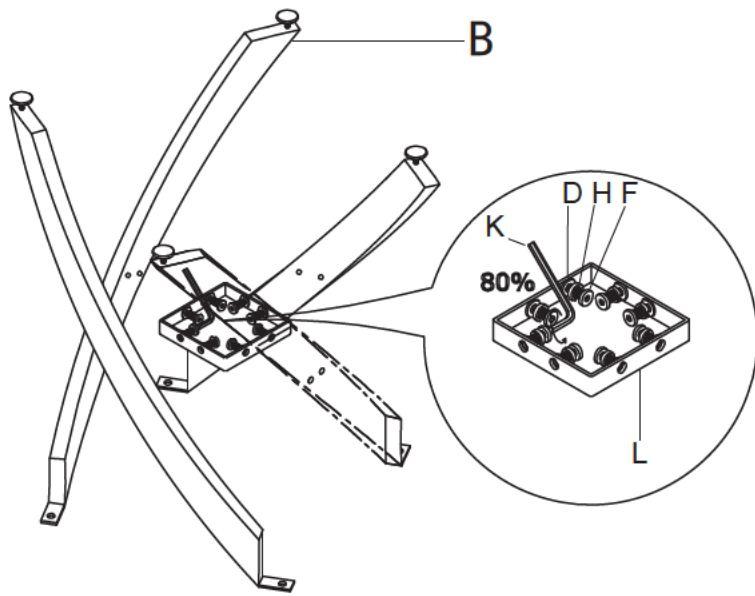
ASSEMBLY



2 - ASSEMBLY

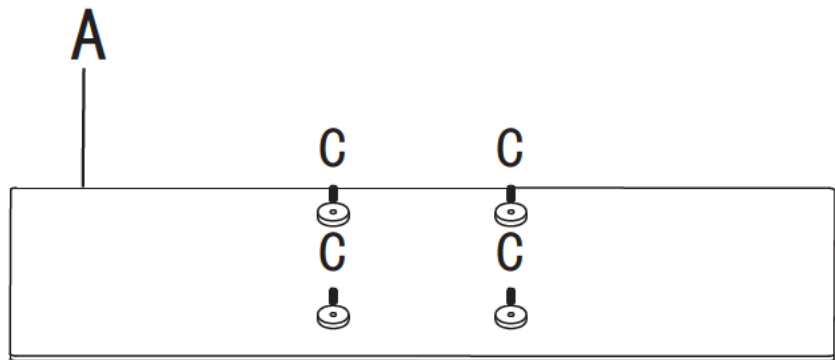
 <p>(A)*1</p>	 <p>(B)*4</p>
 <p>(C)*4</p> <p>M8*20</p>	 <p>(D)*8</p> <p>M6*16</p>
 <p>(E)*4</p> <p>ø8*ø16*1.5</p>	 <p>(F)*8</p> <p>ø6*ø16*1.5</p>
 <p>(G)*4</p> <p>M8</p>	 <p>(H)*8</p> <p>M6</p>
 <p>(I)*4</p> <p>M8</p>	 <p>(J)*1</p> <p>M8</p>
 <p>(K)*1</p> <p>5#</p>	 <p>(L)*1</p>
 <p>(M)*1</p>	

- (D) *8 M6*16
- (F) *8 $\phi 6 * \phi 16 * 1.5$
- (H) *8 M6
- (K) *1 5#
- (L) *1



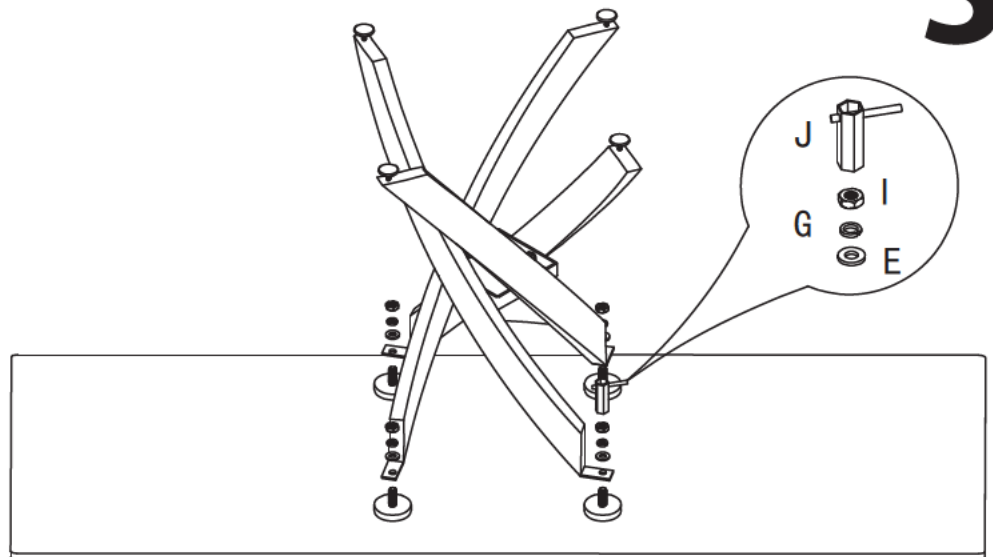
1

- (C) *4 M8*20



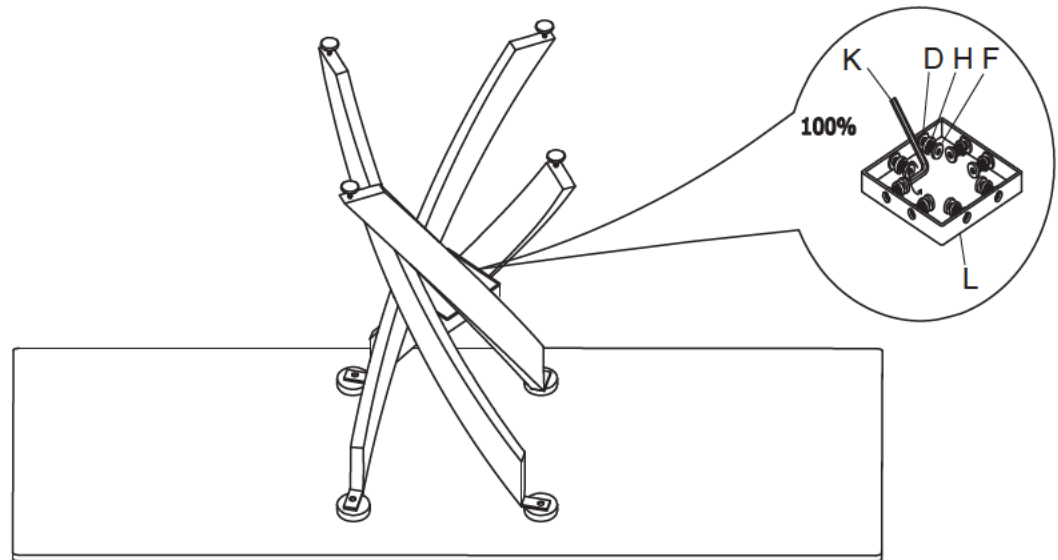
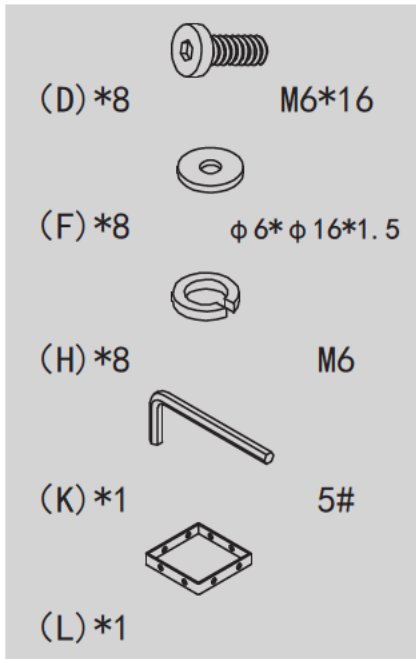
2

- (E) *4 $\phi 8 * \phi 16 * 1.5$
- (G) *4 M8
- (I) *4 M8
- (J) *1 M8



3

3



3 - CLEANING AND MAINTENANCE

- Do not use corrosive or abrasive for cleaning products.
- Clean with a soft cloth
- Don't interfere with metal objects in a mechanism, so that they are threatened with serious deterioration.