

Stemware Rack (WS-SR) Installation Instructions

Included Parts: •1 Stemware Rack •1 Plastic Coupler •4 Screws •2 Spiral Drywall Anchors •2 Toggle Bolts •4 Mounting Hole Caps

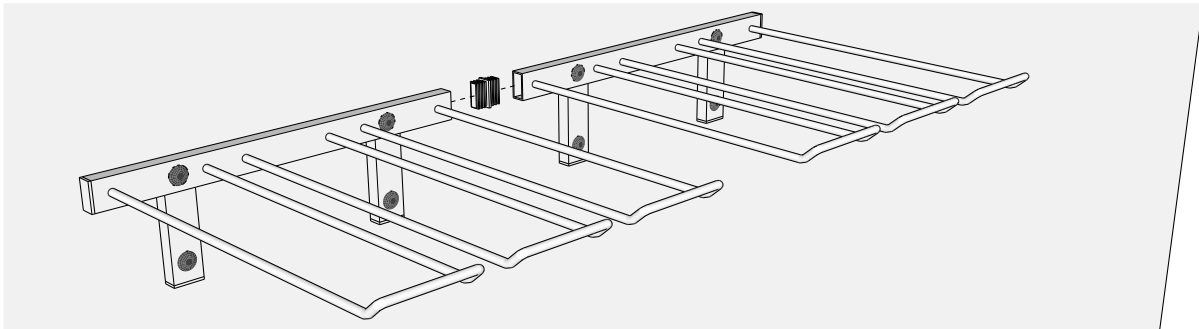
Required tools: •Phillips Head Screw Driver •Level •Pencil •Tape Measure •Drill •1/2 inch (12.7mm) & 3/32 inch (2.4mm) drill bits

Fasteners:

There are four pre-drilled mounting holes in each rack. Appropriate fasteners for your wall surface must be utilized in every mounting hole for proper installation. Fasteners for drywall or wood wall surfaces are included with your rack. We recommend the following fasteners for these surfaces:

- Attaching to drywall, use 2 of the included Spiral Drywall Anchors and 2 Screws along with 2 Toggle Bolts
- Wood wall surfaces at least 1/2 inch (19mm) thick can use the 4 included Screws
- Concrete, Brick or Stucco: 3/16" x 1 1/4" masonry screw or #8 x 1 1/4" screw with appropriate size expanding concrete anchor
- VintageView® Floor to Ceiling Frame (FCF-HD): Each FCF-HD comes with self-drilling screws to attach WS series racks to the frames

Before you begin: Ensure that the area you plan to install the racks in has enough clearance *below* the unit to hang your stemware. When plans call for installing multiple WS-SR *next* to one another, we recommend removing the end caps from the sides to be coupled together prior to installing for ease of access.



1. Mark the mounting hole locations - Position the rack on the wall where it is to be installed. Make sure there is adequate space underneath the rack for your stemware to hang. Use a level to ensure the rack is perfectly horizontal. Using a pencil, mark all 4 mounting hole locations (Figure A) and set the rack aside.

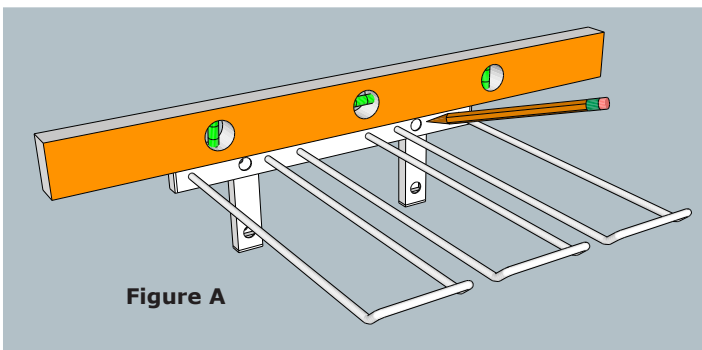


Figure A

2. Install the anchors - For the bottom row of holes, simply use a Phillips head screw driver to screw the Spiral Drywall Anchors into the wall at the marked hole locations until the head of the anchor is flush with the wall surface (Figure B). For the top row of mounting holes, drill a 1/2 inch (12.7mm) hole (Figure C) for use with the supplied toggle bolts.

Note: If a marked hole location is over a stud, the Spiral Drywall Anchors or Toggle Bolts should not be used. Drill a pilot hole in the stud with a 3/32 inch (2.4mm) drill bit and use the extra Screws supplied to fasten directly into the stud.

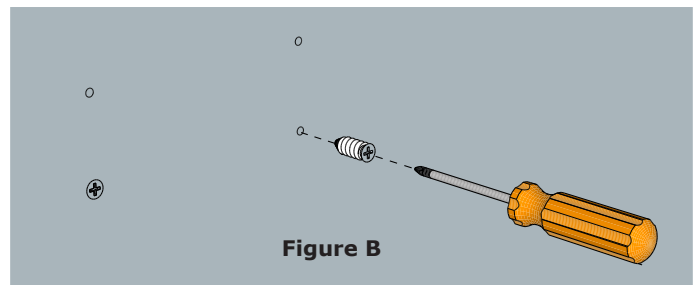


Figure B

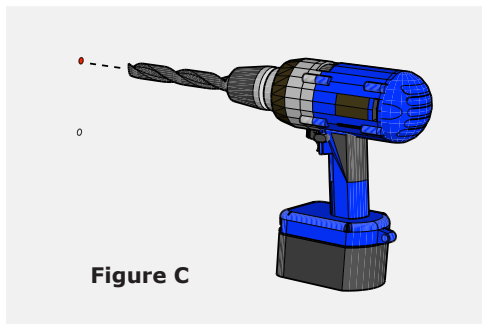
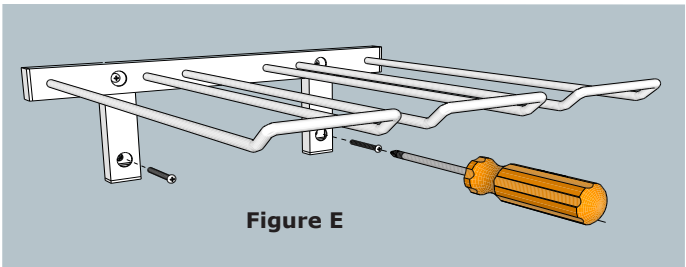
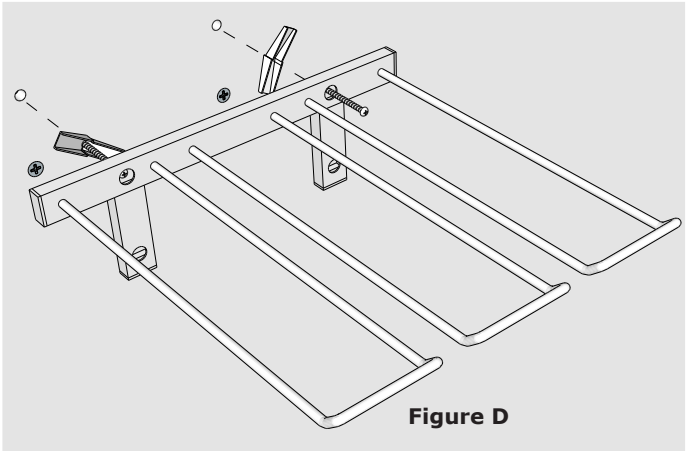
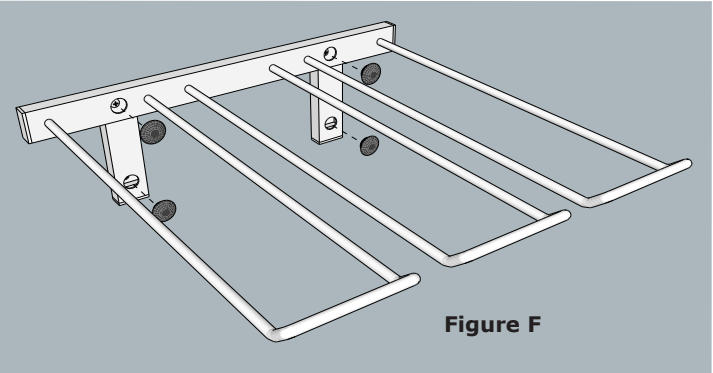


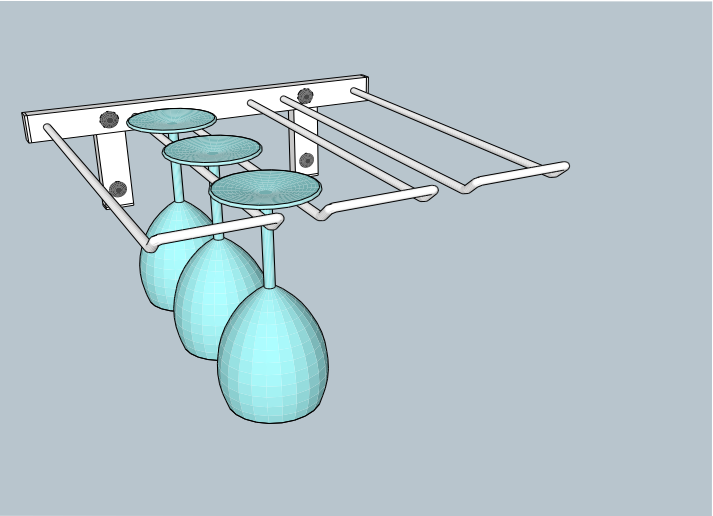
Figure C

3. **Hang the rack** - Remove the expanding nuts from the Toggle Bolts and insert the bolts through the upper 2 mounting holes. Thread the expanding nuts back onto the bolts until the tip of the bolt is slightly protruding from the nut with the wings positioned so they will fold toward the head of the bolt (Figure D). Align the Toggle Bolts with the holes in the wall and gently push the Toggle Bolts through the wall, ensuring that both wings of the nut expand on the back side of the wall. When both bolts are in place, gently tighten the Toggle Bolts, keeping the lower mounting holes aligned with the anchors. Finish securing the rack to the wall through the bottom 2 mounting holes using the provided Screws (Figure E) and fully tighten the Toggle Bolts.

4. **Install the mounting hole caps** - With the rack fastened to the wall, simply press the provided mounting hole caps into the 1/2 inch holes in the face of the rack (Figure F) to cover the mounting hardware and you're done!



Completed Installation



***Alternate Installation* Attaching to FCF-HD** - Place the rack against the FCF-HD in the position where it is to be installed and ensure that it is horizontal using a level. To secure the rack, use the Self Drilling Screws provided with the FCF-HD and fasten the rack through each of the 4 mounting holes.

Note: The FCF-HD need to be spaced at 13 inches between centerlines to properly align the edges of the WS-SR (Figure G).

