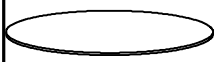

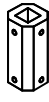
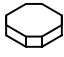


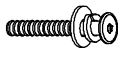

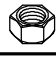


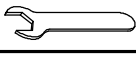
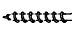
FURNITURE

ASSEMBLY INSTRUCTION

DESCRIPTION : ROUND PEDESTAL TABLE

Thank you for purchasing this product. Be sure to check all packing material carefully for small parts which may have come loose inside the carton during shipment. Identify and count all parts and compare with the parts list below:

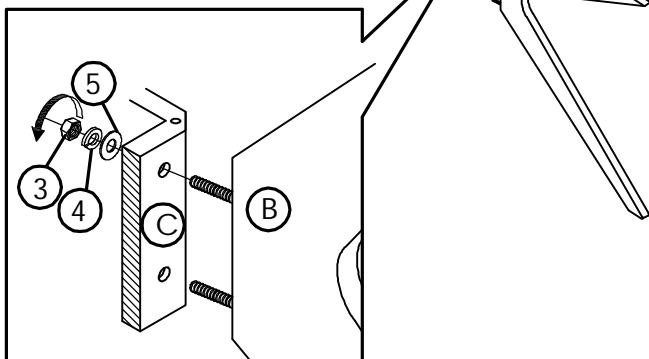
Component List		
NO.	Description	Qty.
A.	Table Top 	1
B.	Table Leg 	4
C.	Center Support Block 	1
D.	Center Block Cover 	1

Hardware List		
NO.	Description	Qty.
1	JCBC Bolt M6 x 50mm + S/W M6 + F/W M6 x 19mm 	4
2	Allen Key M4 	1
3	Hex Nut 5/16" 	8
4	Spring Washer 5/16" 	8
5	Flat Washer 5/16" 	8
6	Spanner 12.8 	1
7	FH Screw #8 x 32mm 	4

STEP 1:

IMPORTANT!

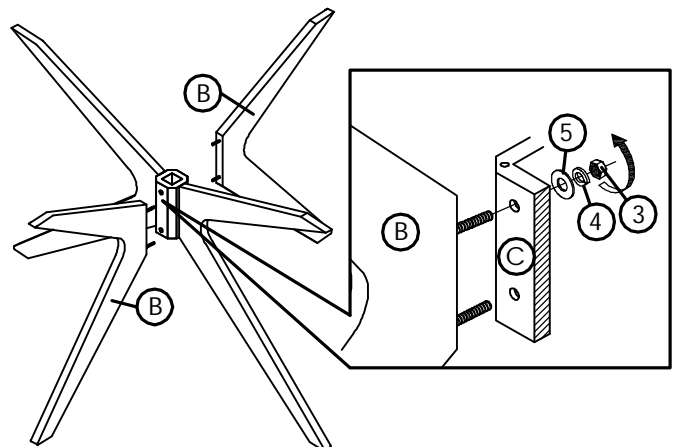
DO NOT FULLY TIGHTEN
THE HEX NUT



STEP 2:

IMPORTANT!

DO NOT FULLY TIGHTEN
THE HEX NUT



ASSEMBLY TIPS:

1. Remove hardware from box end sort by size.
2. Please check to see that all hardware and parts are present prior start of assembly.
3. Please follow attached instructions in the same sequence as numbered to assure fast and easy assembly.

⚠ WARNING!

1. Don't attempt to repair or modify parts that are broken or defective. Please contact the store immediately.
2. This product is for home use only and not intended for commercial establishments.

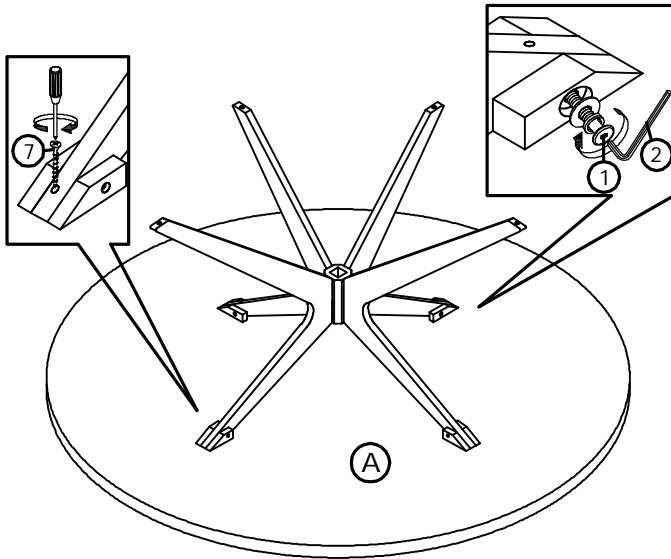
FURNITURE

ASSEMBLY INSTRUCTION

DESCRIPTION : ROUND PEDESTAL TABLE

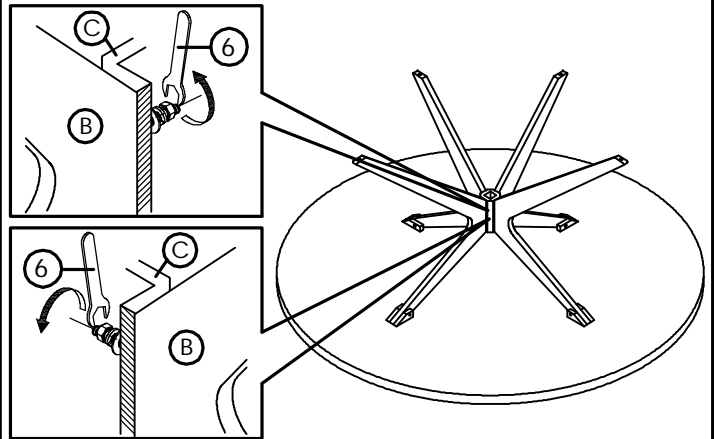
Thank you for purchasing this product. Be sure to check all packing material carefully for small parts which may have come loose inside the carton during shipment. Identify and count all parts and compare with the parts list below:

STEP 3:

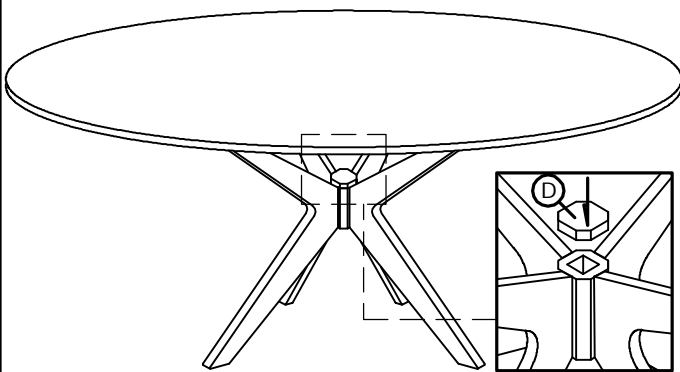


STEP 4:

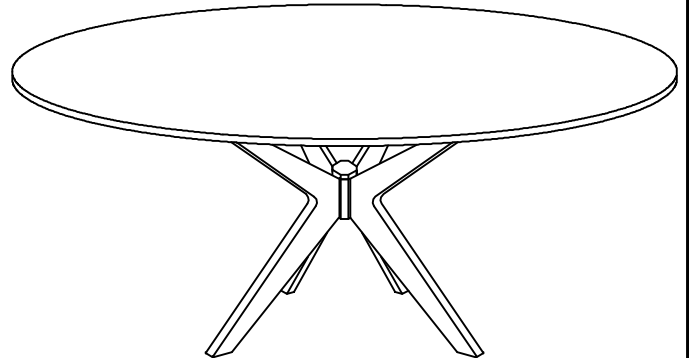
FULLY TIGHTEN THE HEX NUT



STEP 5:



STEP 6:



ROUND PEDESTAL TABLE

ASSEMBLY TIPS:

1. Remove hardware from box end sort by size.
2. Please check to see that all hardware and parts are present prior start of assembly.
3. Please follow attached instructions in the same sequence as numbered to assure fast and easy assembly.

⚠ WARNING!

1. Don't attempt to repair or modify parts that are broken or defective. Please contact the store immediately.
2. This product is for home use only and not intended for commercial establishments.