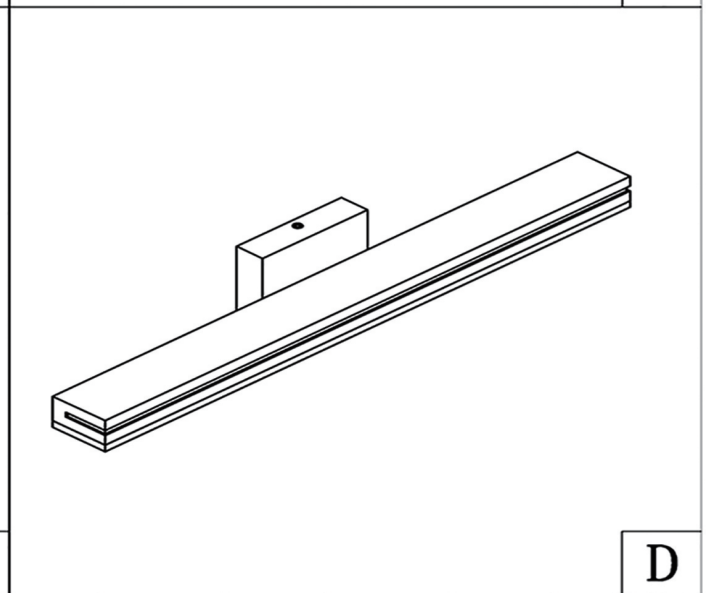
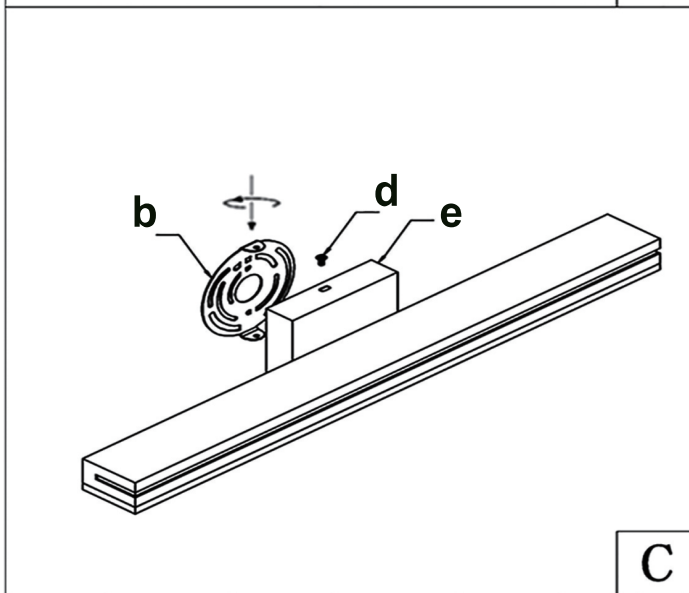
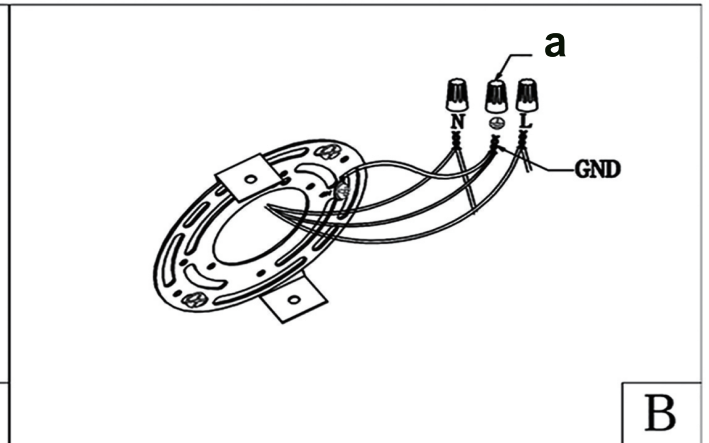
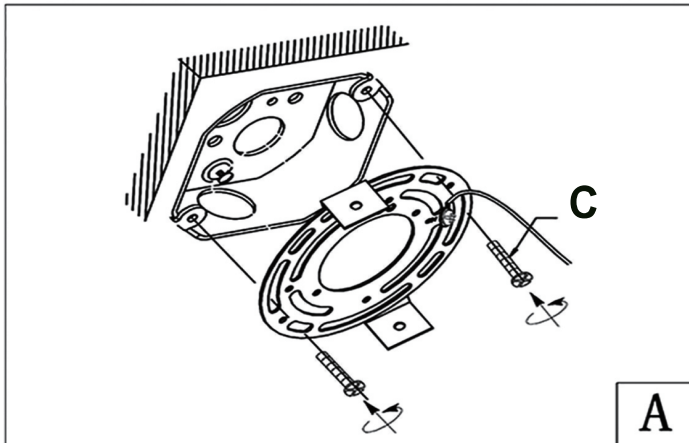


CAUTION-RISK OF SHOCK

- Disconnect Power at the main circuit breaker panel or main fusebox before starting and during the installation.
- Have your fixture installed by a qualified licensed electrician.
- Read instructions carefully before you start assembly.
- Keep this installation sheet for future reference.

Please Note:

- This LED fixture come with pre-wired LED modules
- Unless instructed,Do Not touch any part of the LED modules as any unnecessary contact with the module could cause permanent damage
- Use ELV(Electronic Low Voltage) type of dimmer for dimming application



Installation Instructions

1. Take out the vanity lamp from the package.
2. Separate mounting plate [b] from fixture body [e] by removing canopy screw [d]
3. Attach mounting plate [b] to electrical junction box using screws provided [c] in hardware package.
4. Secure mounting plate [b] to mounting surface with additional screws [c].
5. Make proper electrical connections (Black wire to hot "L", White wire to neutral "N", Ground to "GND") with wire nuts (G/L/N) provided in hardware package.
6. Align mounting plate [b] to holes on fixture body [e], and then attach using canopy screws [d].
7. If you have any problem for installation, Please contact us :
8. How to change the light color? Simply slide on the side of the power box and you can freely choose 3000K-4000K-6000K temperature to meet your need.