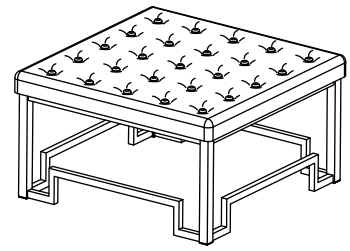
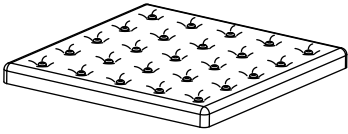
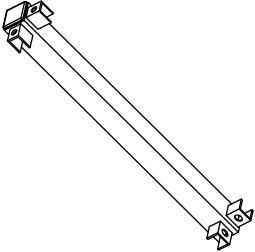
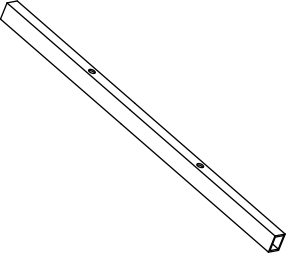
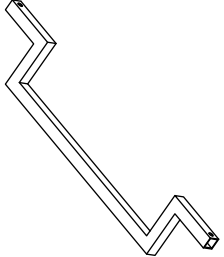
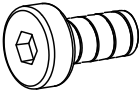
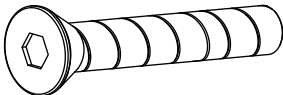
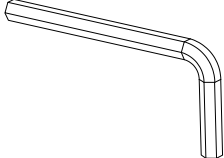


COFFEE TABLE

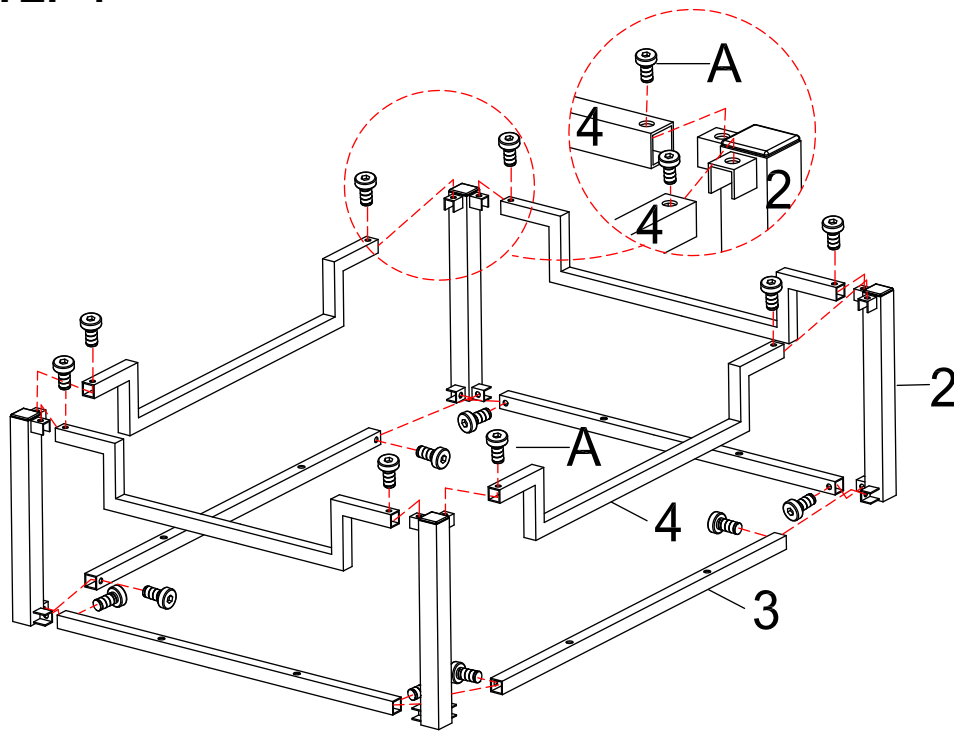


ASSEMBLY INSTRUCTIONS

1	2	3	4	
 <p>CUSHION 1PC</p>	 <p>LEG 4PCS</p>	 <p>TOP STRETCHER 4PCS</p>	 <p>BOTTOM STRETCHER 4PCS</p>	
A		B		C
 <p>BOLT 1/4"X1/2" 16PCS</p>		 <p>BOLT 1/4"X1-3/4" 8PCS</p>		 <p>ALLEN KEY 1PC</p>

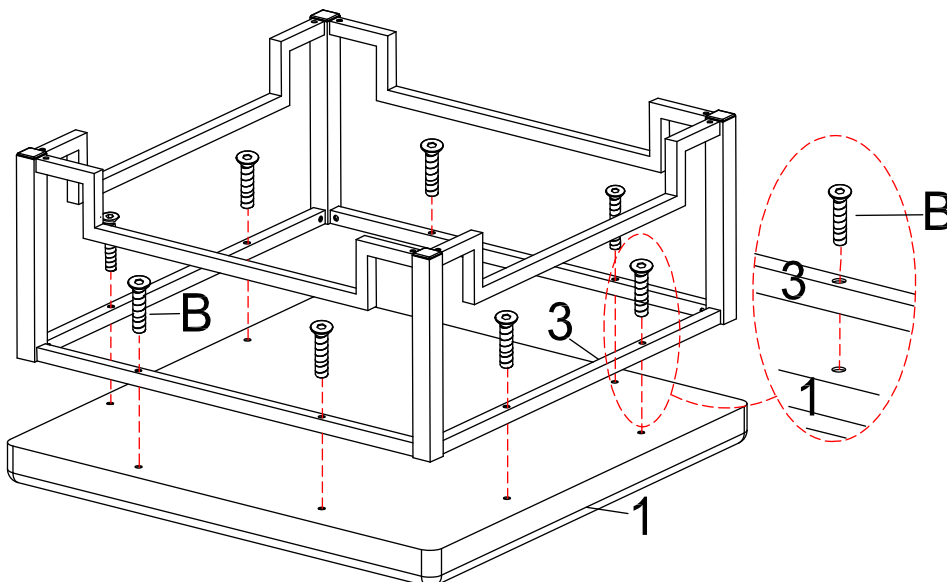
***** Do not tighten screws & bolts until the entire unit is completely assembled. *****

STEP 1



Attach top stretchers (3) and bottom stretchers (4) to legs (2) using bolts (A) as shown.

STEP 2



Attach the assembled unit to cushion (1) using bolts (B) as shown.

Turn assembled unit upright.

Your coffee table is now complete.