








INSTALLATION MANUAL



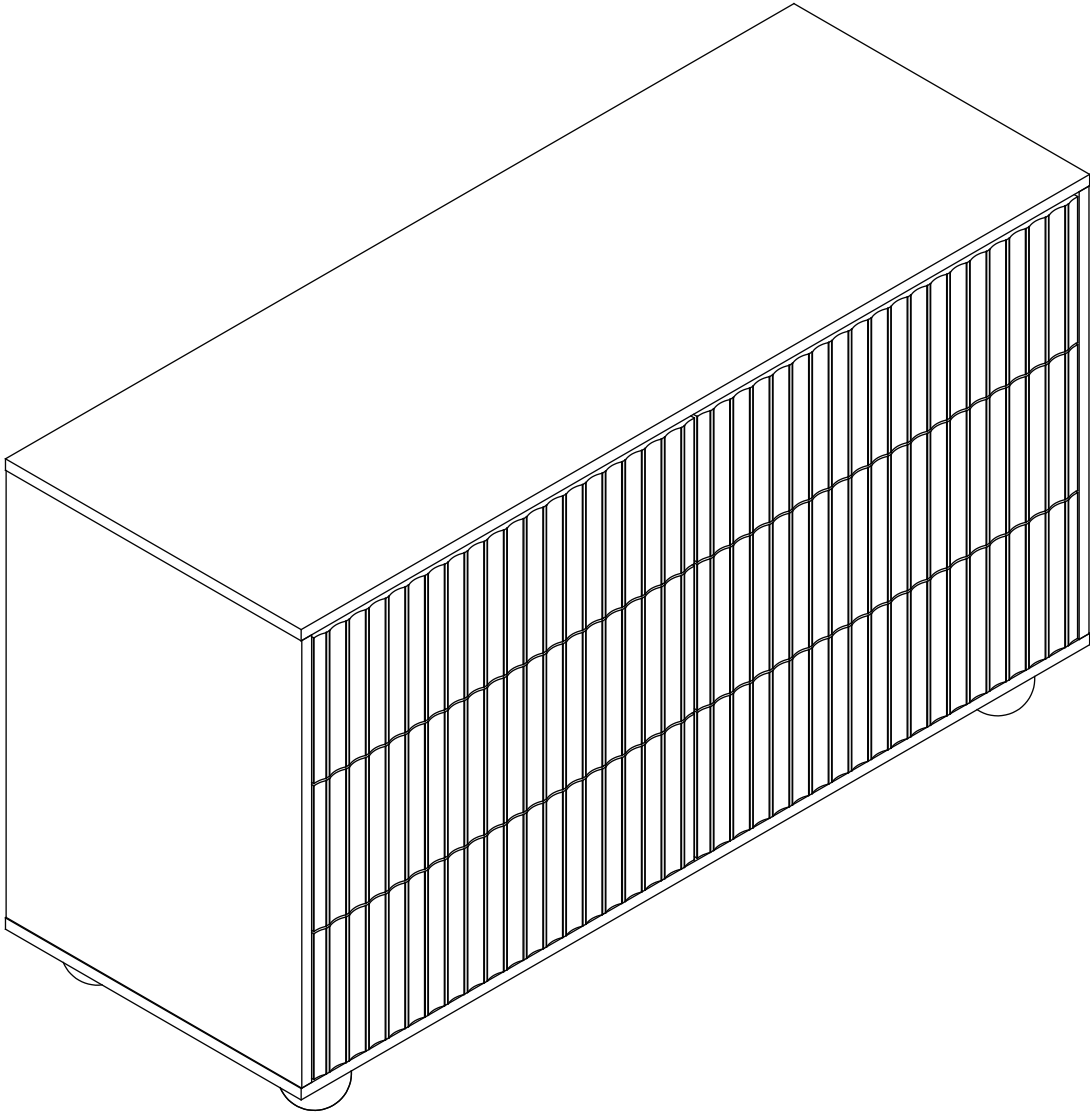
Before You Start

-  Please read all instructions carefully.
-  Retain instructions for future reference.
-  Separate and count all parts and hardware.
-  Read through each step carefully and follow the proper order.
-  We recommend that, where possible, all items are assembled near to the area in which they will be placed in use, to avoid moving the product unnecessarily once assembled.
-  Always place the product on a flat, steady and stable surface.
-  Keep all small parts and packaging materials for this product away from babies and children as they potentially pose a serious choking hazard.

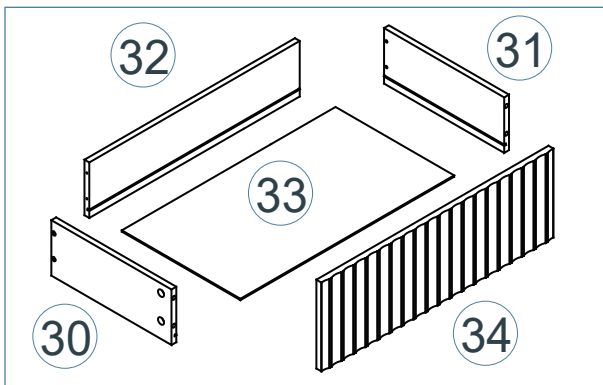
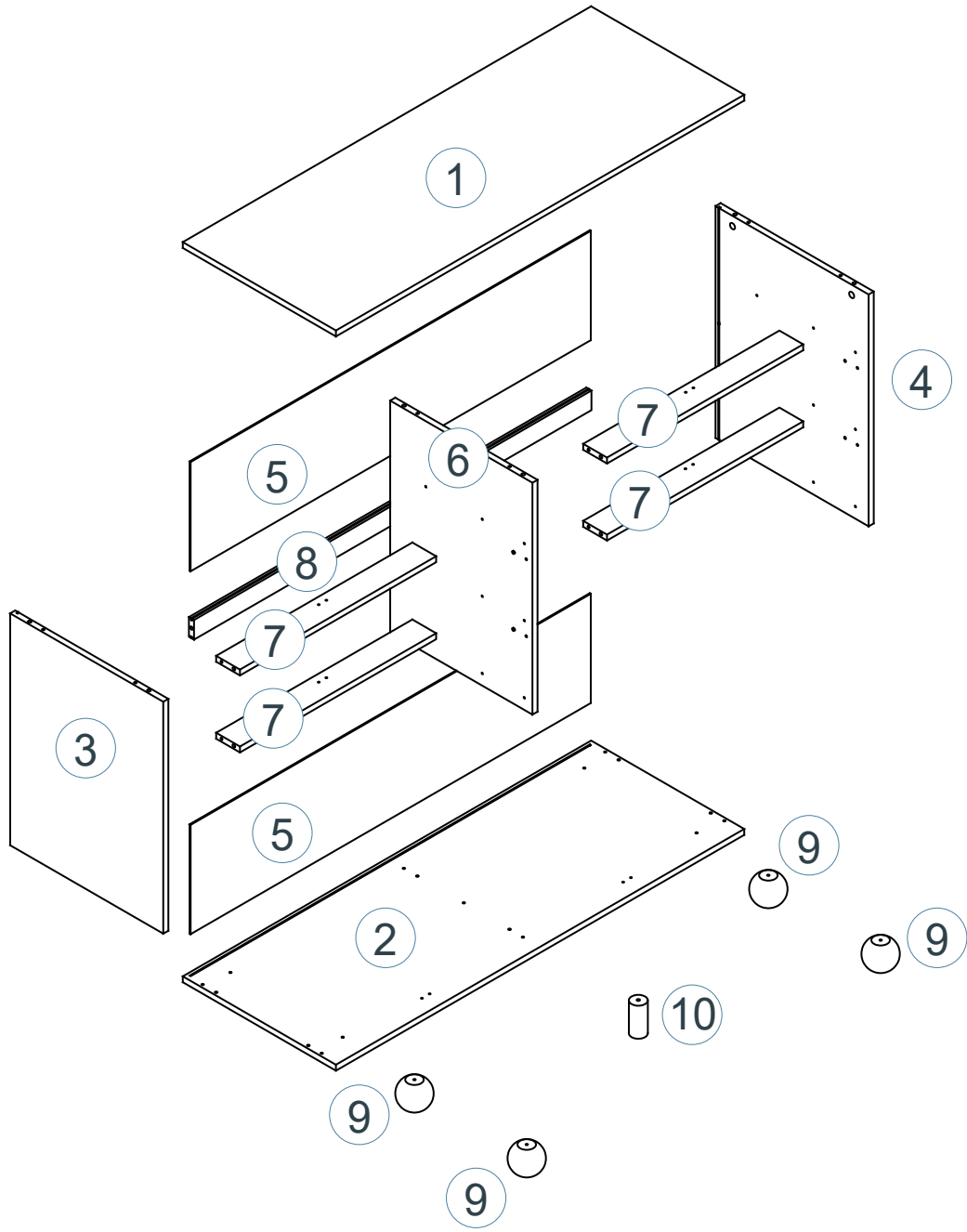
Assembly Instructions

We have designed our furniture with you, the customer in mind. Our clear, easy to follow step by step instructions will guide you through the project from start to finish. Feel confident that this will be a fun and rewarding project. The final product will be a quality piece of furniture that will go together smoothly and give years of enjoyment.

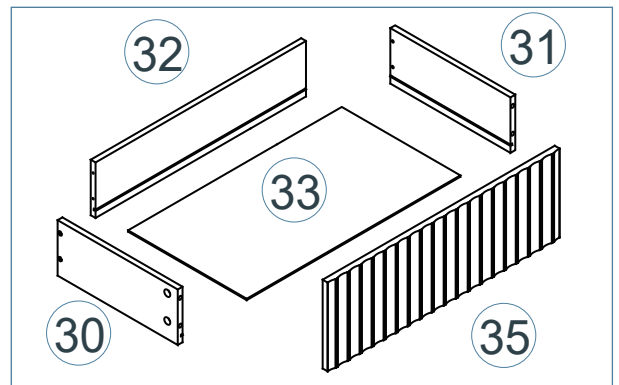
Completed Assembly



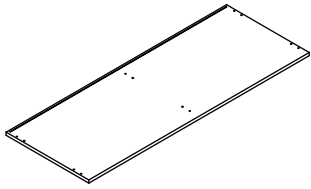
Parts Description



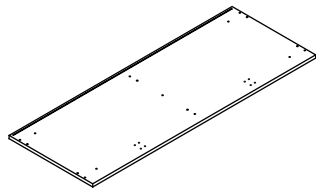
x3



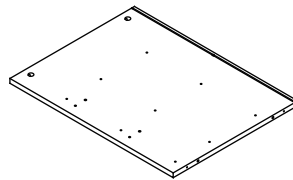
x3



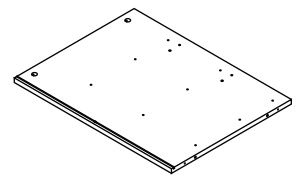
1



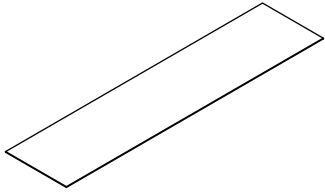
2



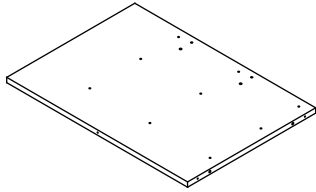
3



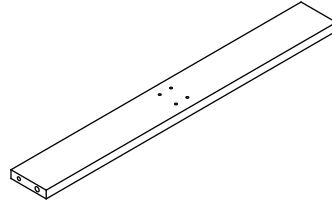
4



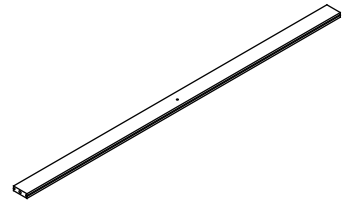
5 x2



6



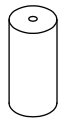
7 x4



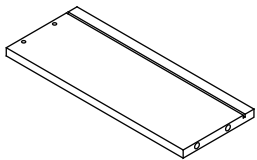
8



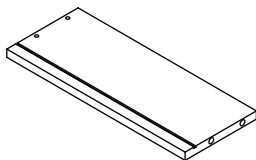
9 x4



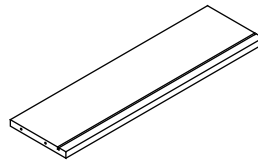
10



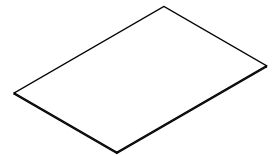
30 x6



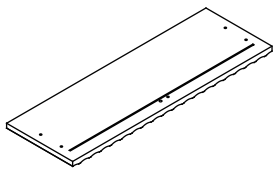
31 x6



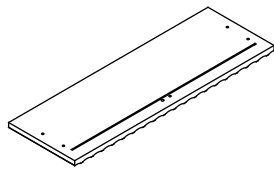
32 x6



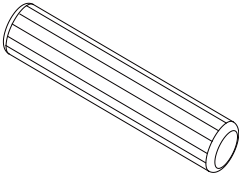
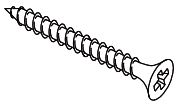
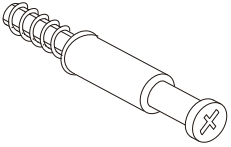
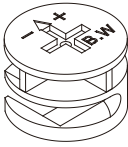
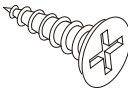
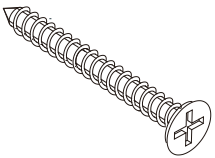
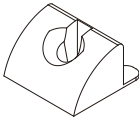
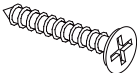

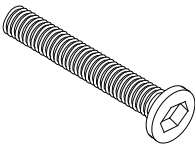
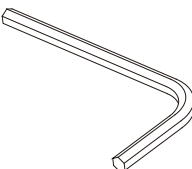
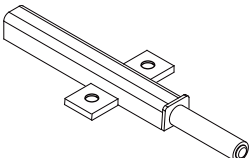
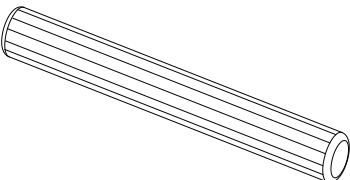

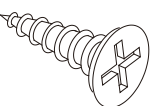
33 x6



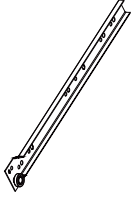
34 x3



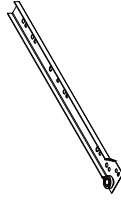
35 x3

<p>A</p>  <p>8 X 30mm Dowel 16pcs</p>	<p>B</p>  <p>4 x 40mm Screw 7pcs</p>	<p>C</p>  <p>Bolt 40pcs</p>
<p>D</p>  <p>Locking Nut 40pcs</p>	<p>E</p>  <p>3.5 x 12mm Screw 60pcs</p>	<p>F</p>  <p>4 x 35mm Long Screw 24pcs</p>
<p>G</p>  <p>Wedge 8pcs</p>	<p>H</p>  <p>3 x 16mm Screw 8pcs</p>	<p>I</p>  <p>Felt Pad 4pcs</p>
<p>J</p>  <p>6 x 30mm Bolt 5pcs</p>	<p>K</p>  <p>Allen Key 1pc</p>	<p>L</p>  <p>Bracket 6pcs</p>
<p>M</p>  <p>Long Dowel 2pcs</p>	<p>N</p>  <p>Adjuster 1pc</p>	<p>O</p>  <p>4 x 14mm Screw 12pcs</p>

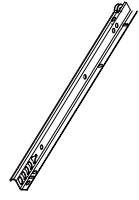
CL



CR



DL



Slide Rail

6pcs

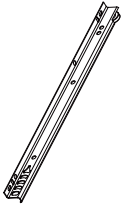
Slide Rail

6pcs

Slide Rail

6pcs

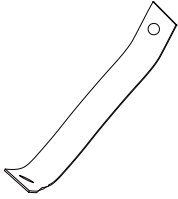
DR



Slide Rail

6pcs

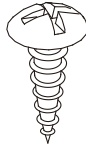
V



Safety Strap

2pcs

W



Screw

2pcs

X



Wall Anchor

2pcs

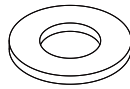
Y



Wall Screw

2pcs

Z



Washer

4pcs



Note: Please do not use any power tools. Use of power tools may cause damage and void manufacture warranty.

Instructions For Fastening Cam Bolt and Cam Lock



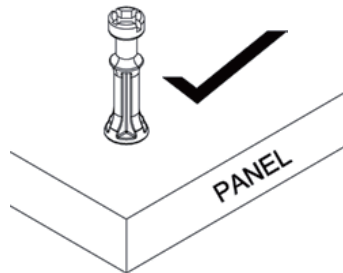
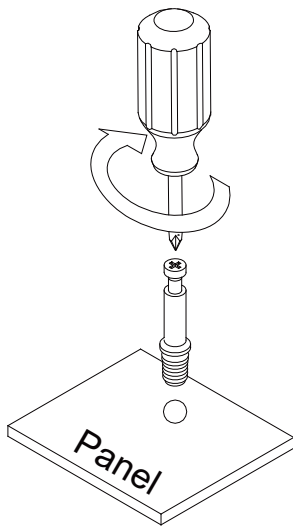
CAM BOLT



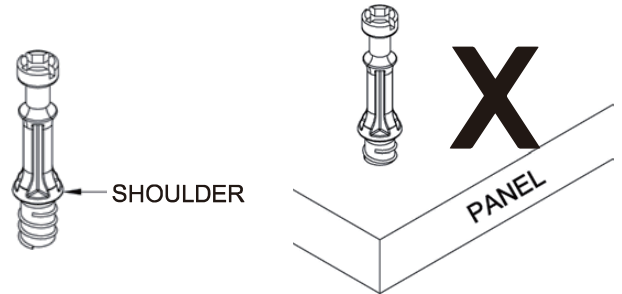
CAM LOCK

Cam Bolt

Place Cam Bolt on the designated pre-drilled hole on the panel. Use a Phillips Screwdriver to screw in Cam Bolt vertically until shoulder is snug and flushed with panel. Do not over-tighten or under-tighten Cam-bolt. See illustrations below.

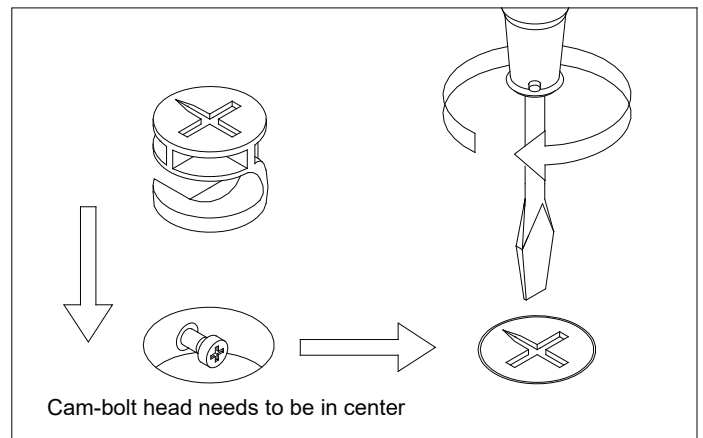
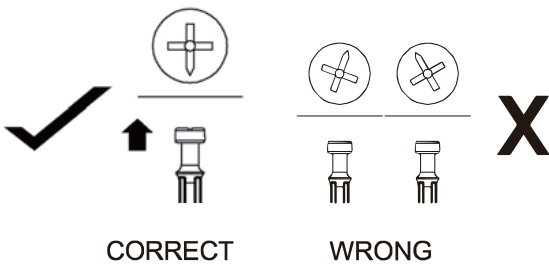


Shoulder is flushed (on the same level) with the panel.



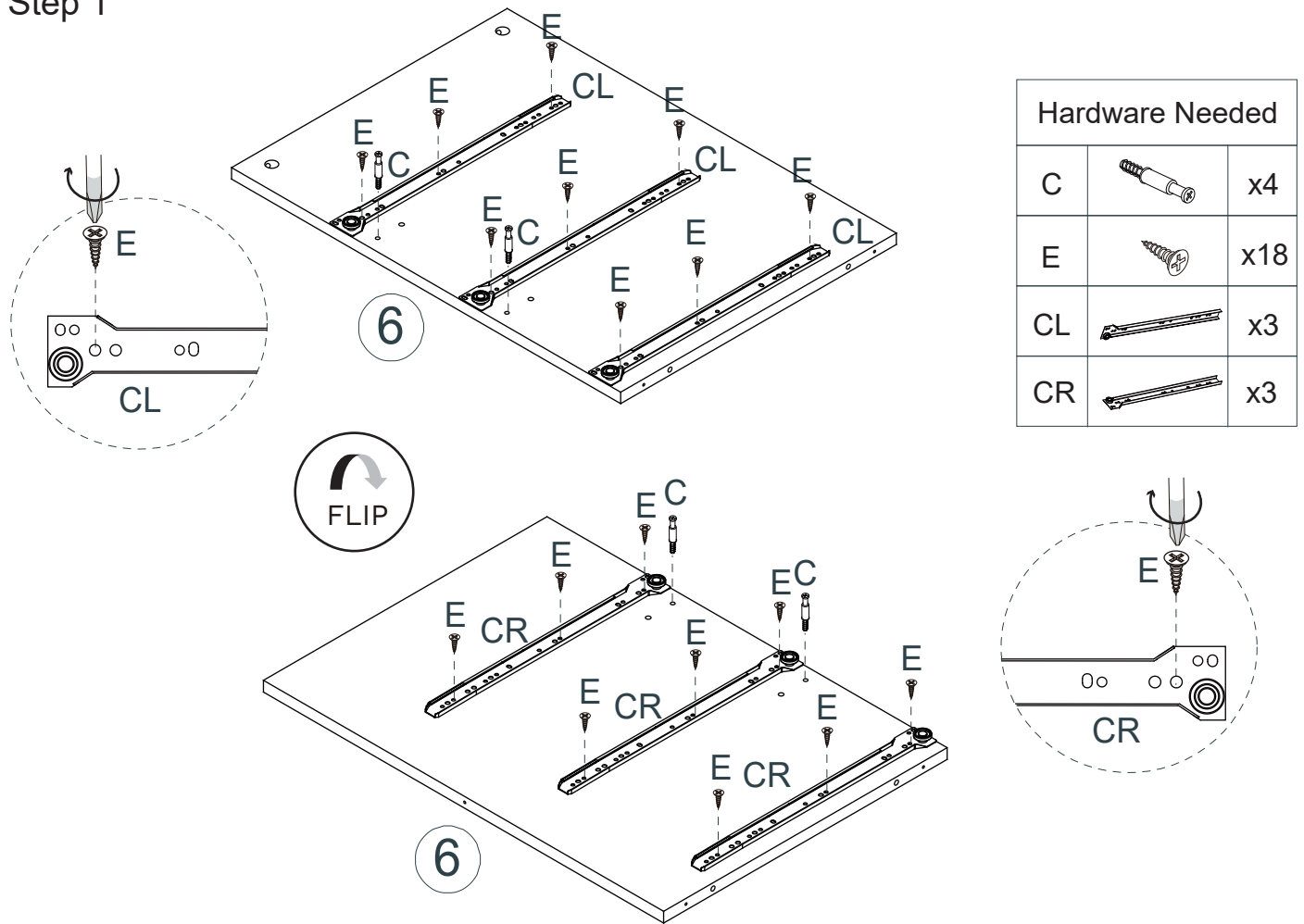
Shoulder is above the panel.

CAM-LOCK
Align the arrow on the Cam-lock to the Cam-bolt head and insert the Cam-lock.

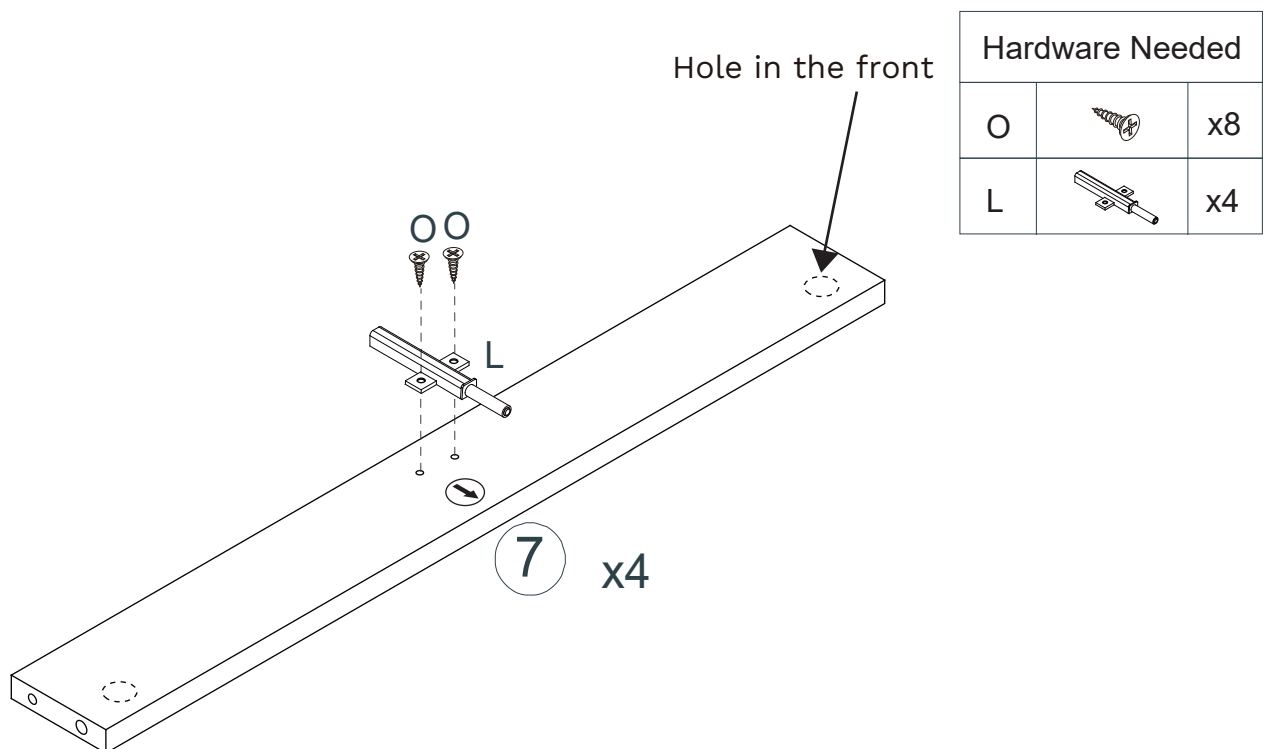


Use a Flat-head Screwdriver to turn Cam Lock clockwise to lock onto the head of the Cam Bolt. Turn until it is snug (about a half turn) – over-tightening could damage Cam Lock and/or Cam Bolt.



Step 1

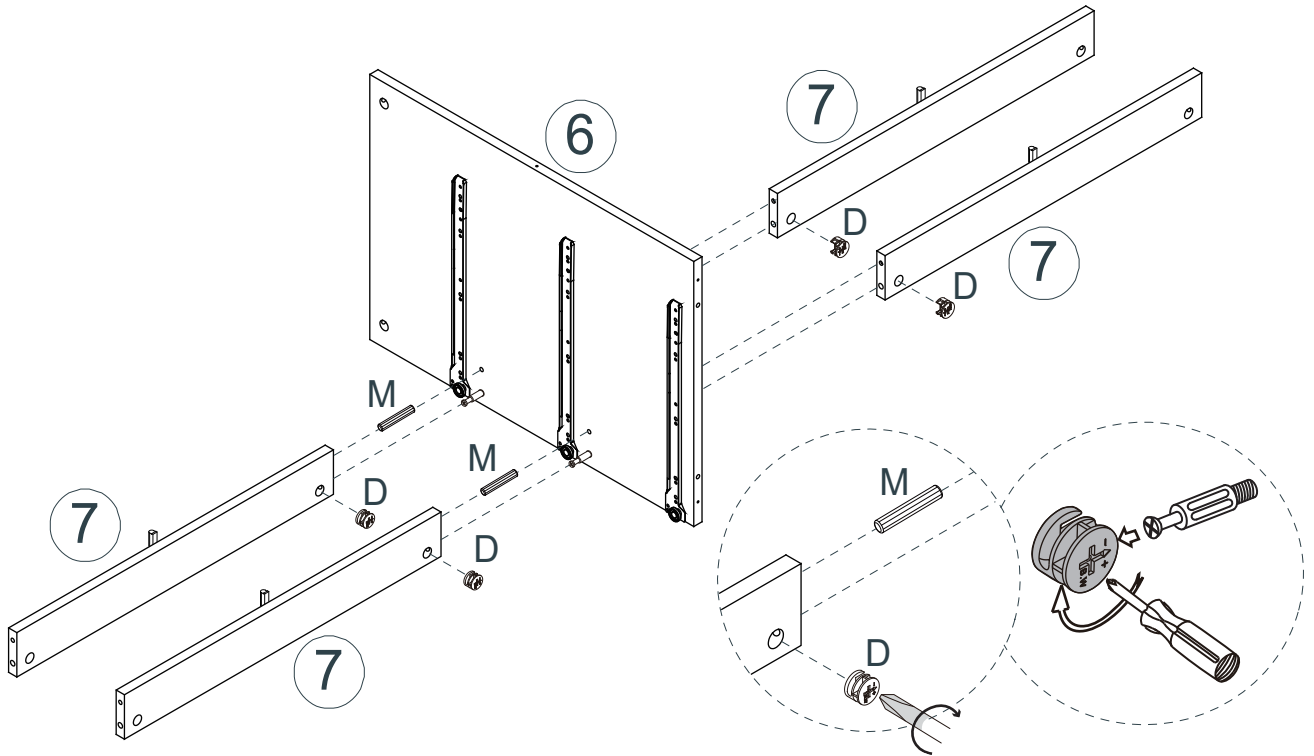


Step 2







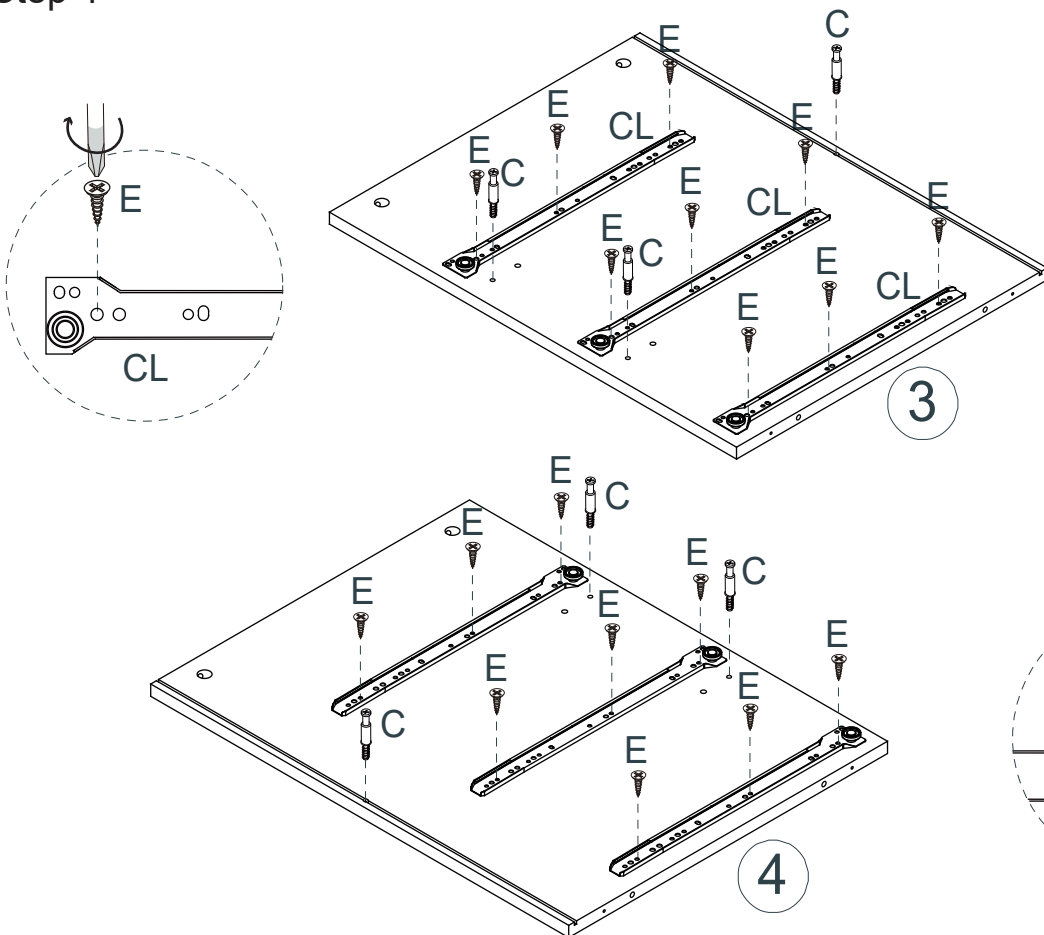
Step 3

Hardware Needed		
D		x4
M		x2

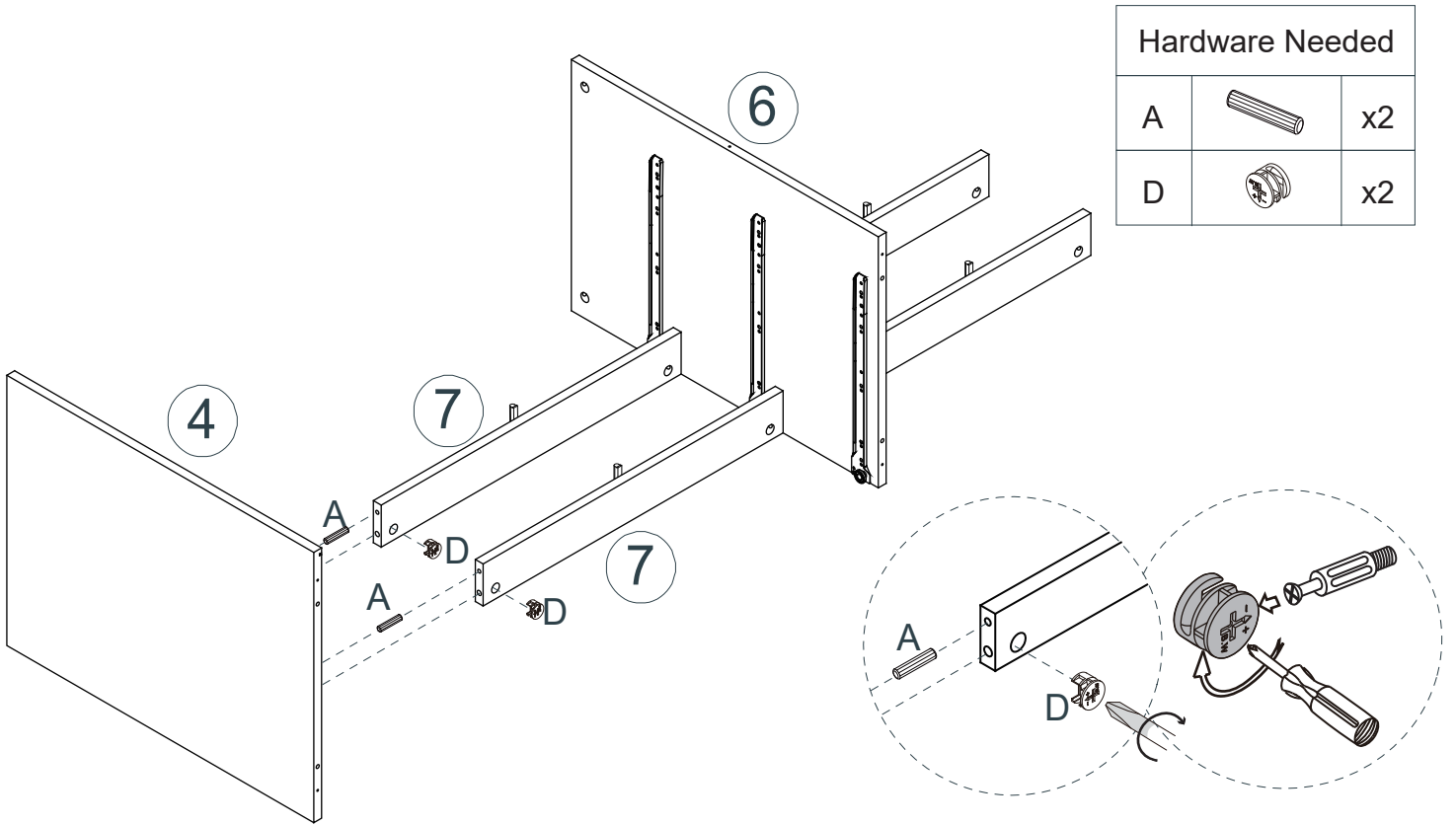


Step 4

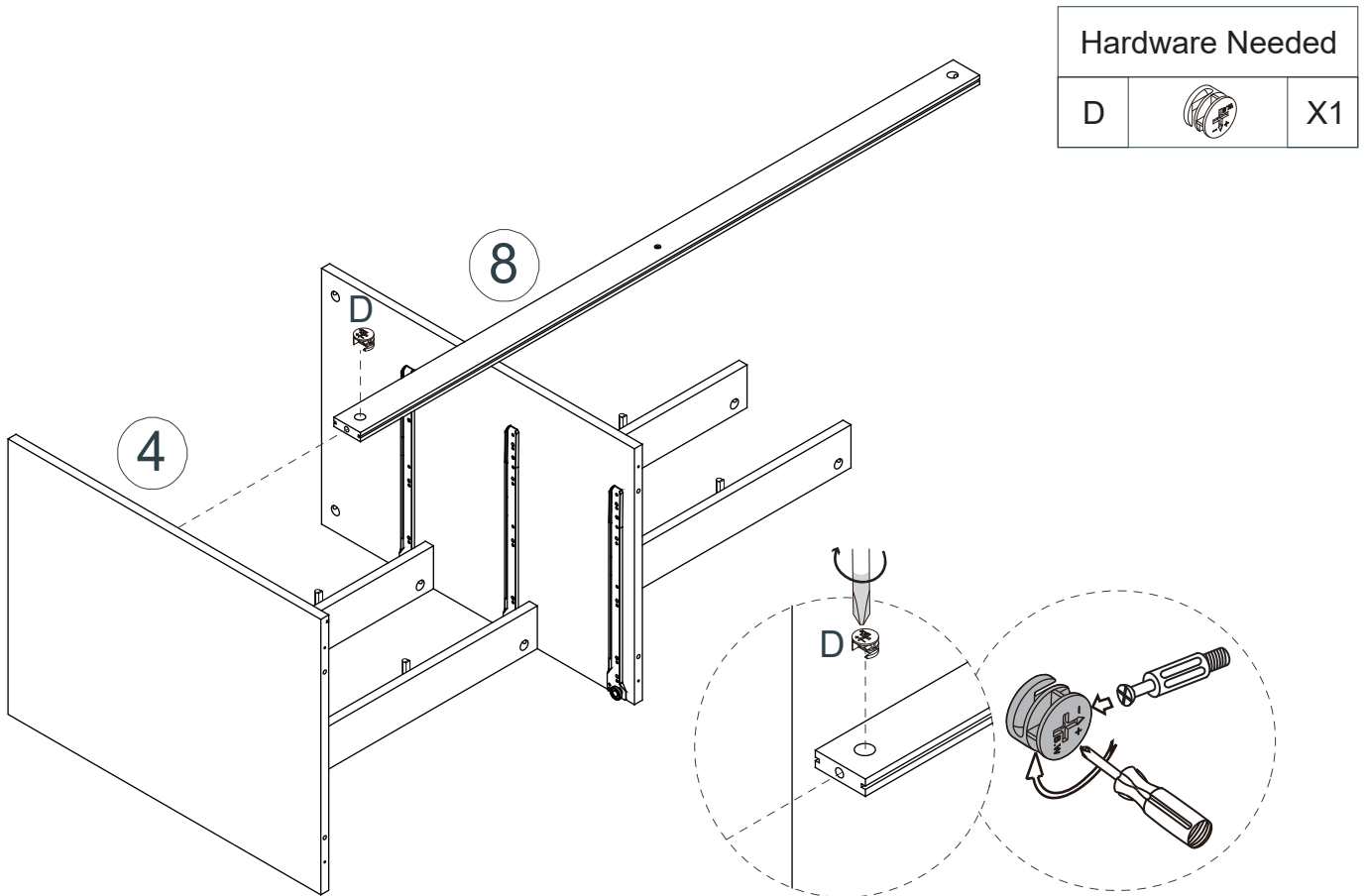
Hardware Needed		
C		x6
E		x18
CL		x3
CR		x3



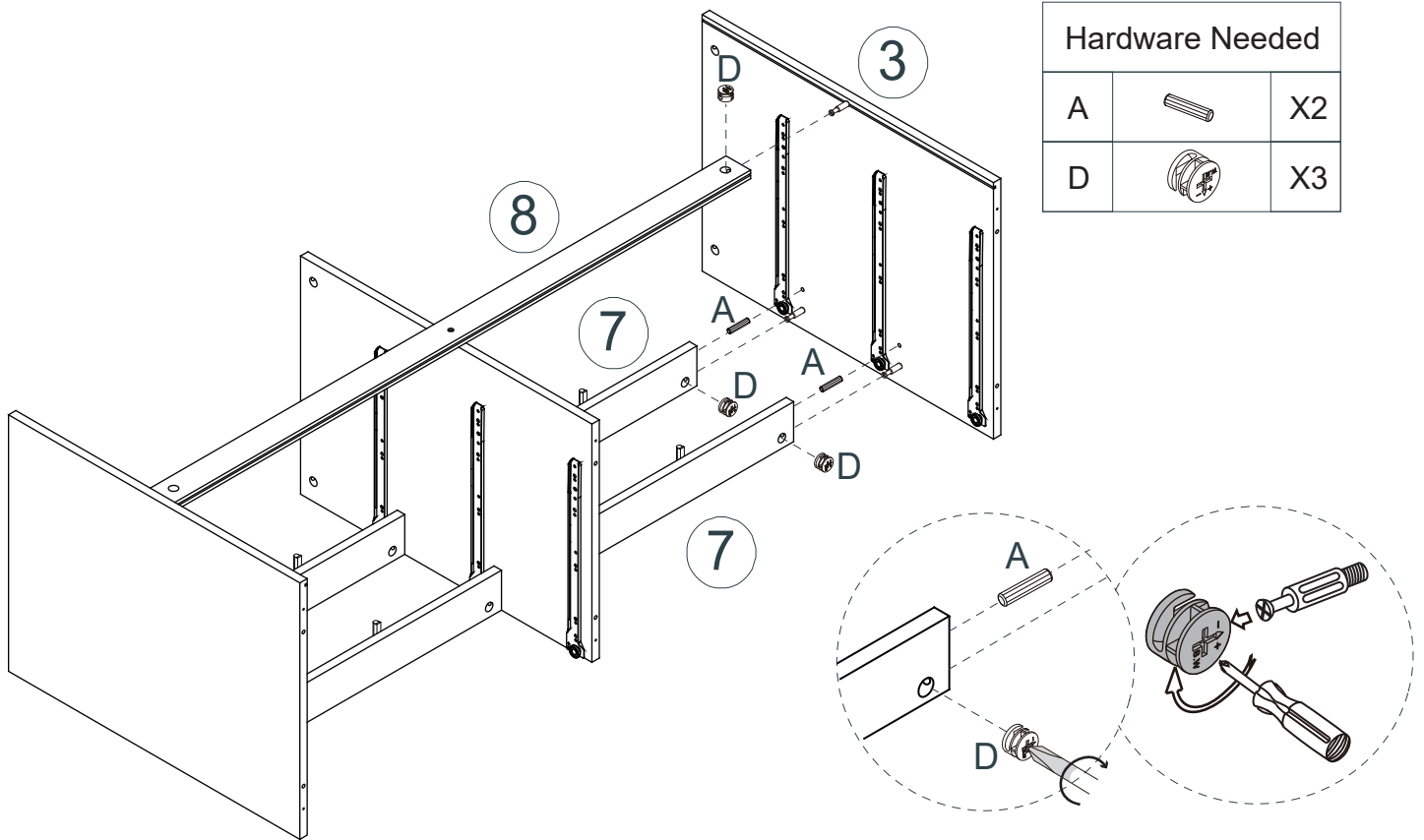
Step 5



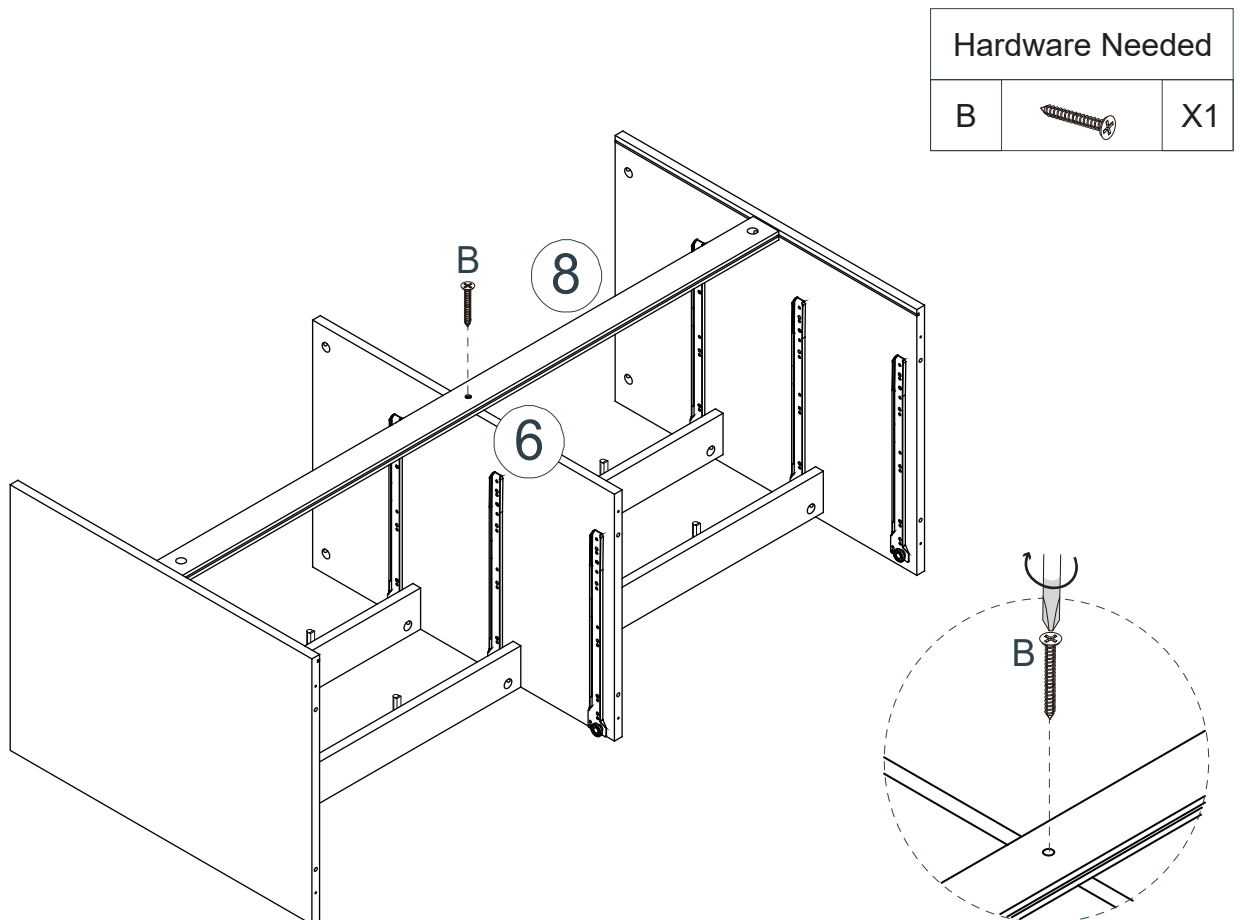
Step 6



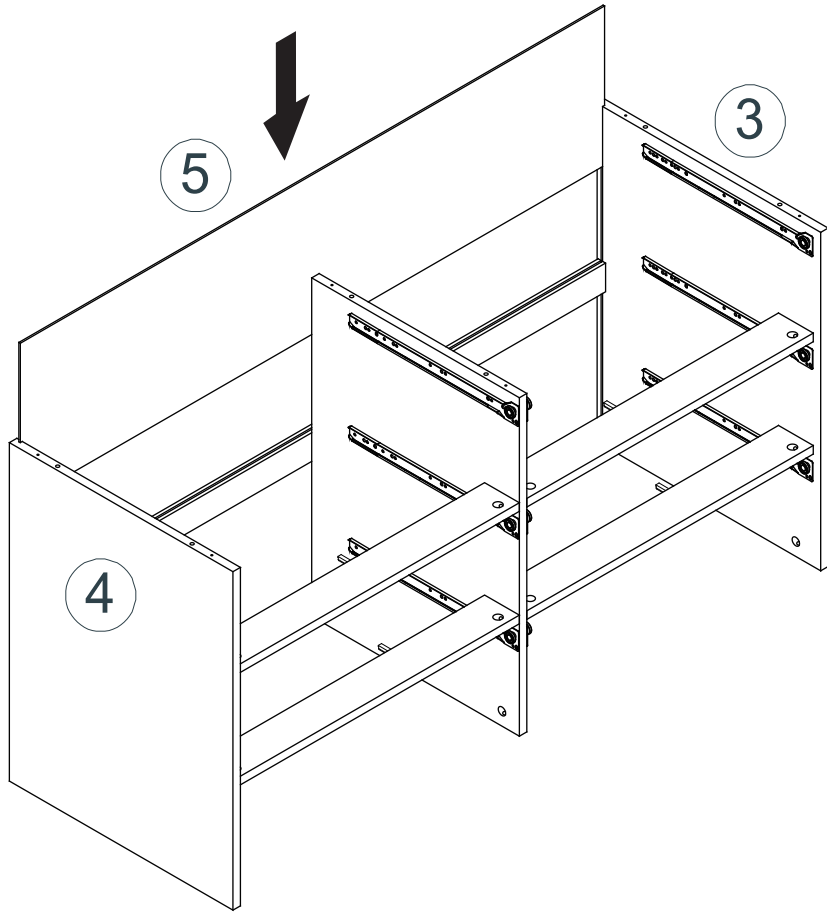
Step 7




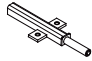
Step 8

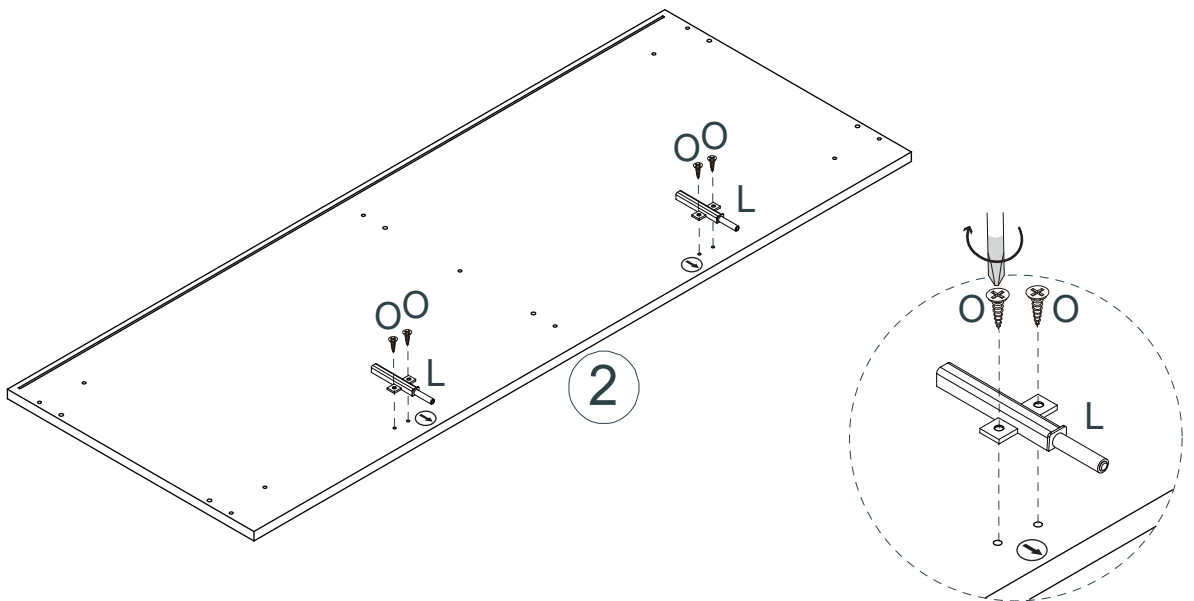


Step 9

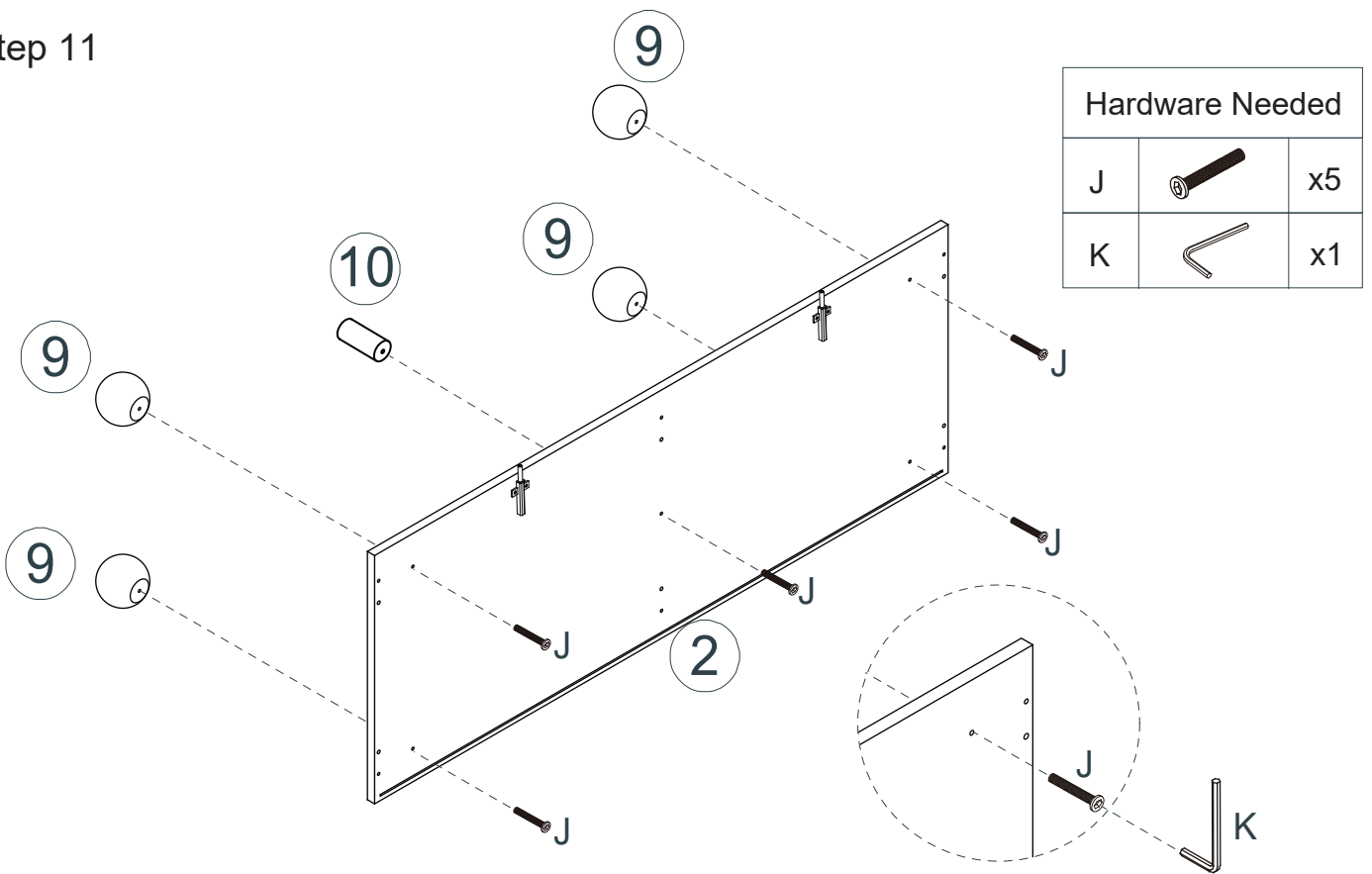




Step 10

Hardware Needed		
O		x4
L		x2

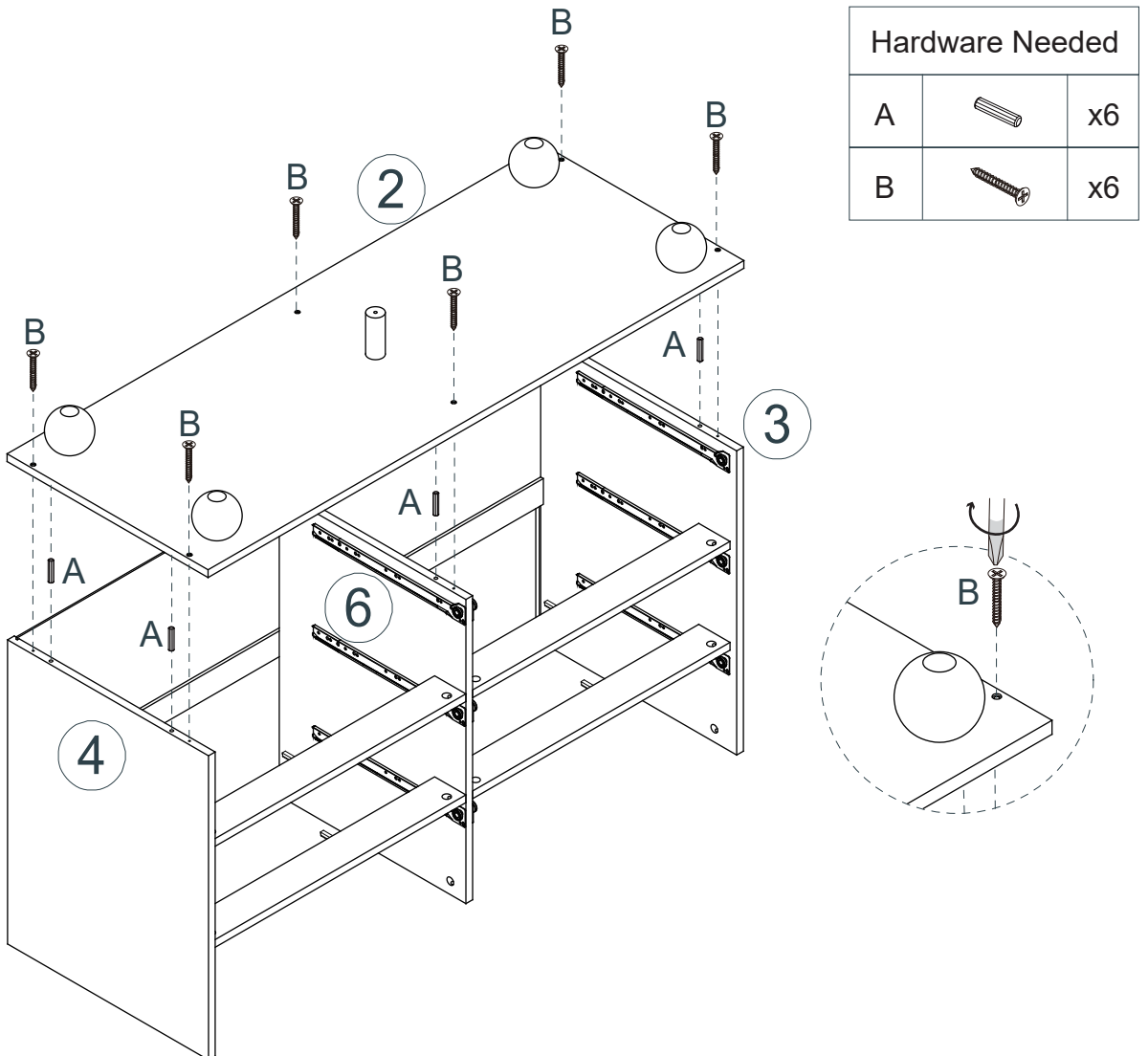




Step 11



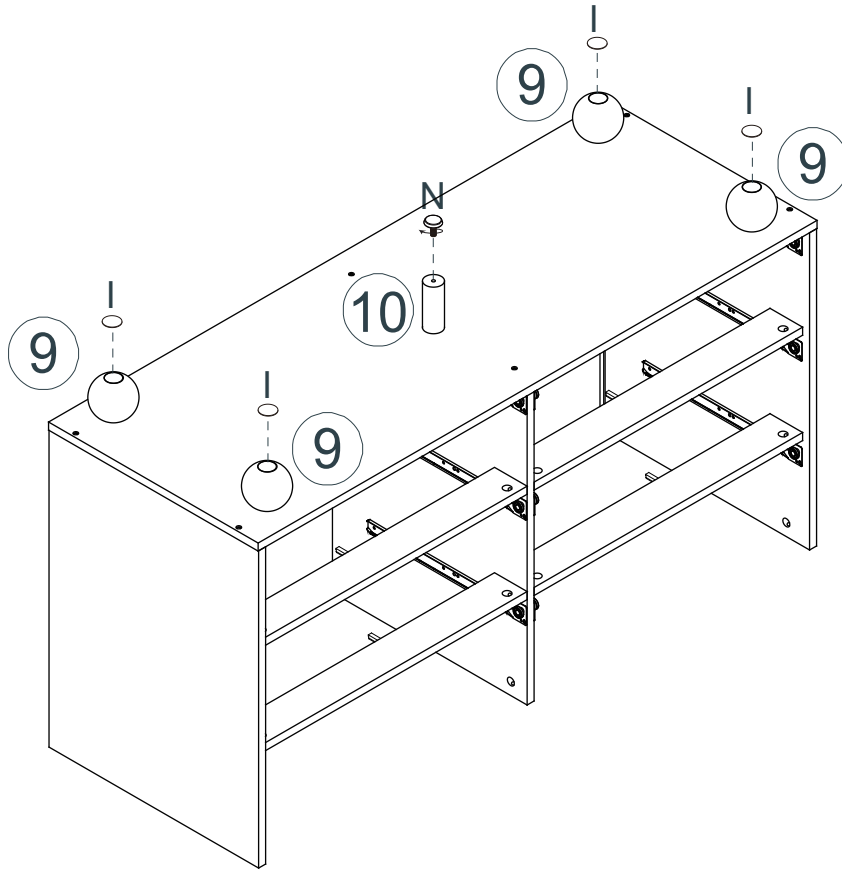
Hardware Needed		
J		x5
K		x1



Step 12



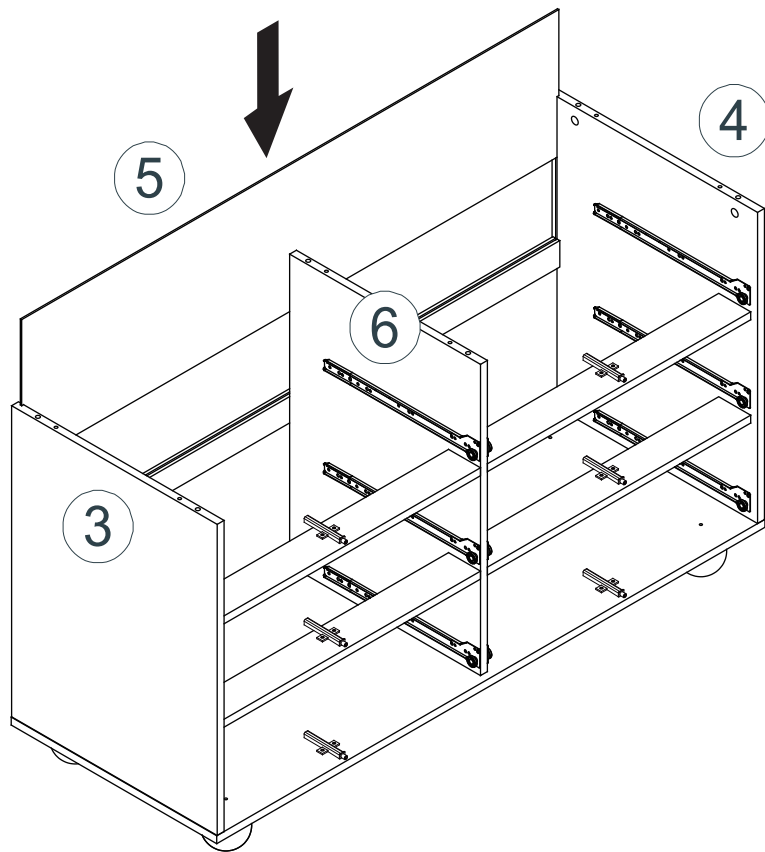
Hardware Needed		
A		x6
B		x6

Step 13




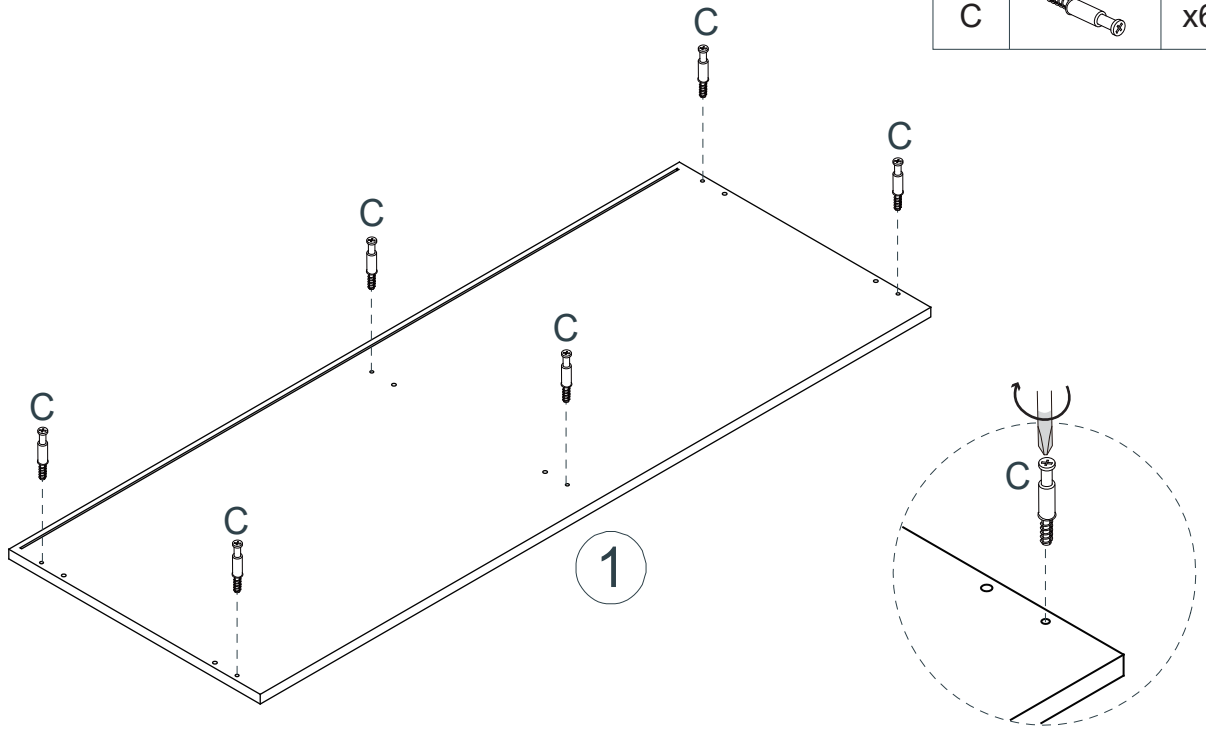
Hardware Needed		
I		x4
N		x1

Step 14

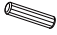



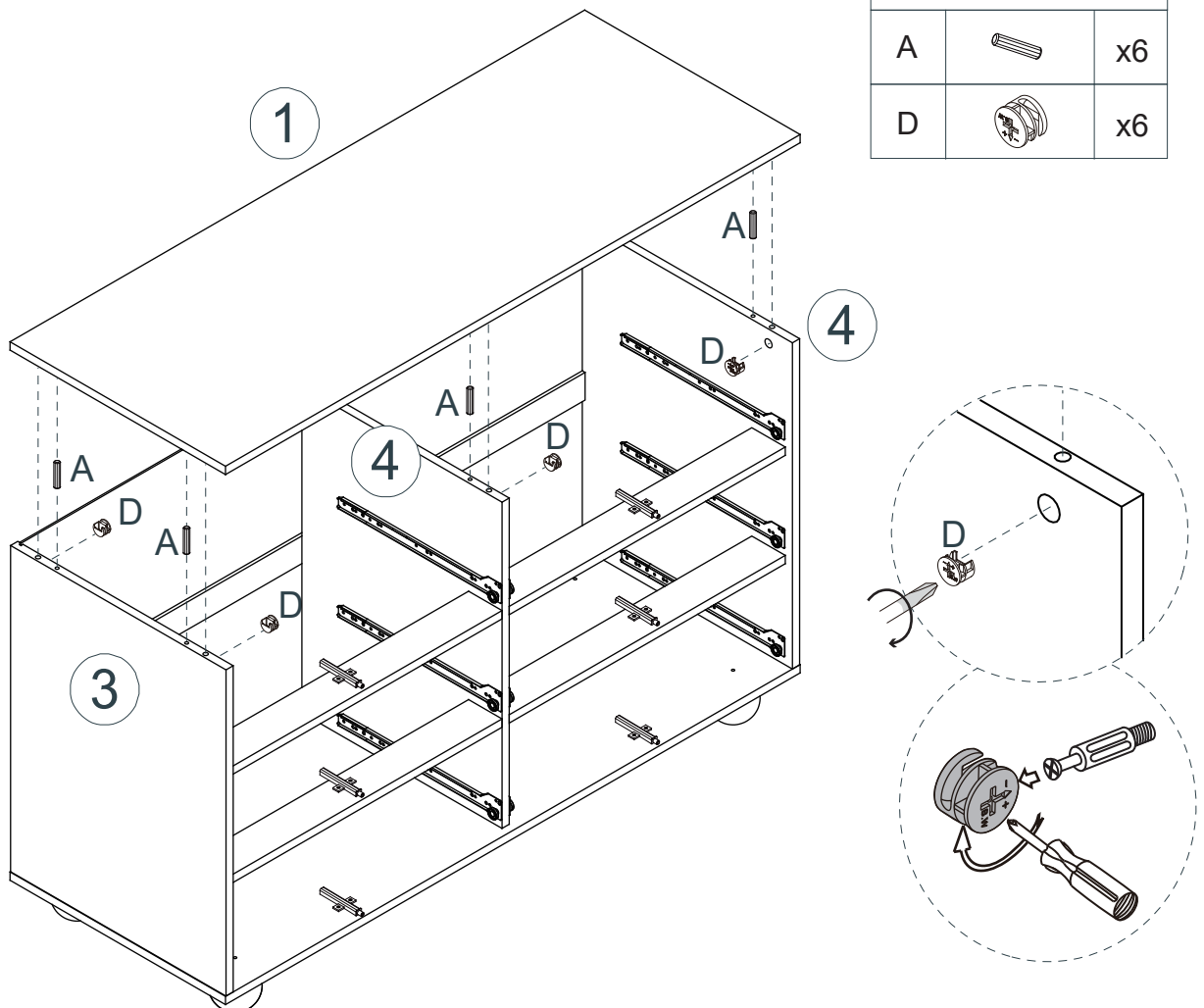
Step 15

Hardware Needed		
C		x6




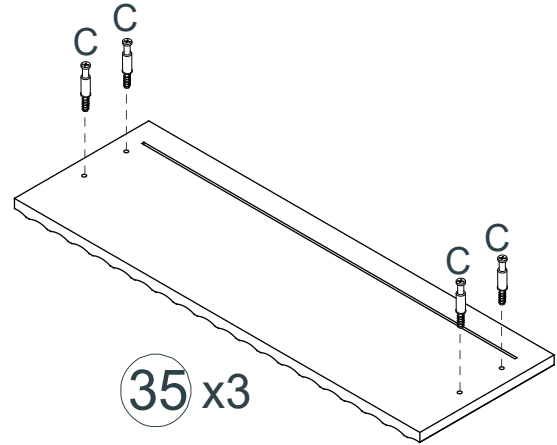
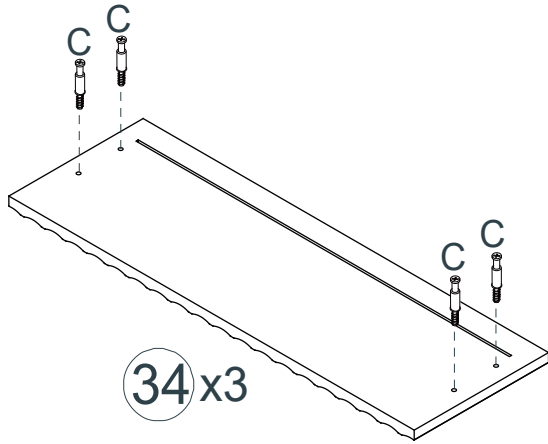
Step 16

Hardware Needed		
A		x6
D		x6




Step 17

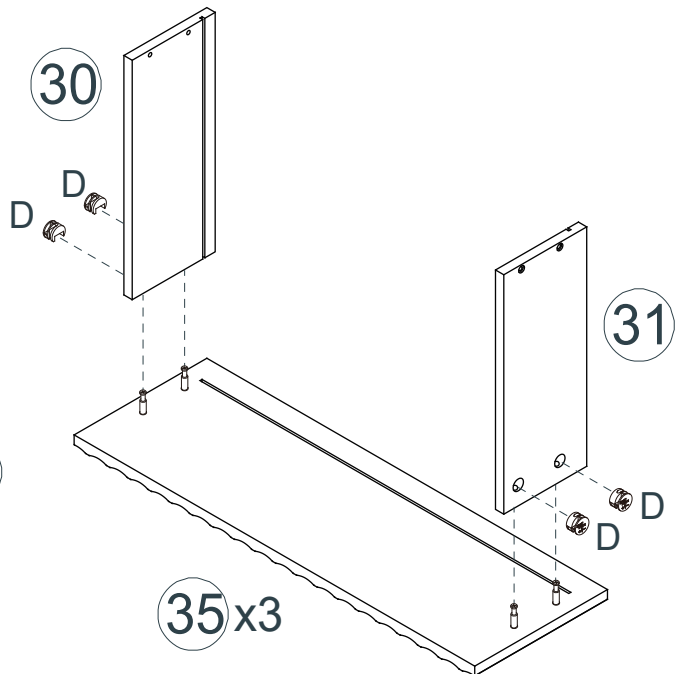
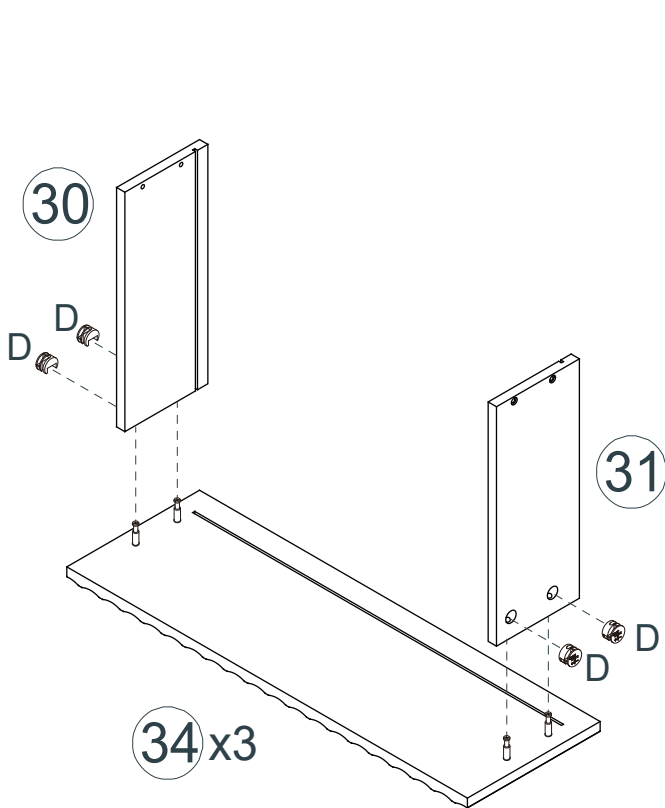
Hardware Needed		
C		x24



Drawer x6

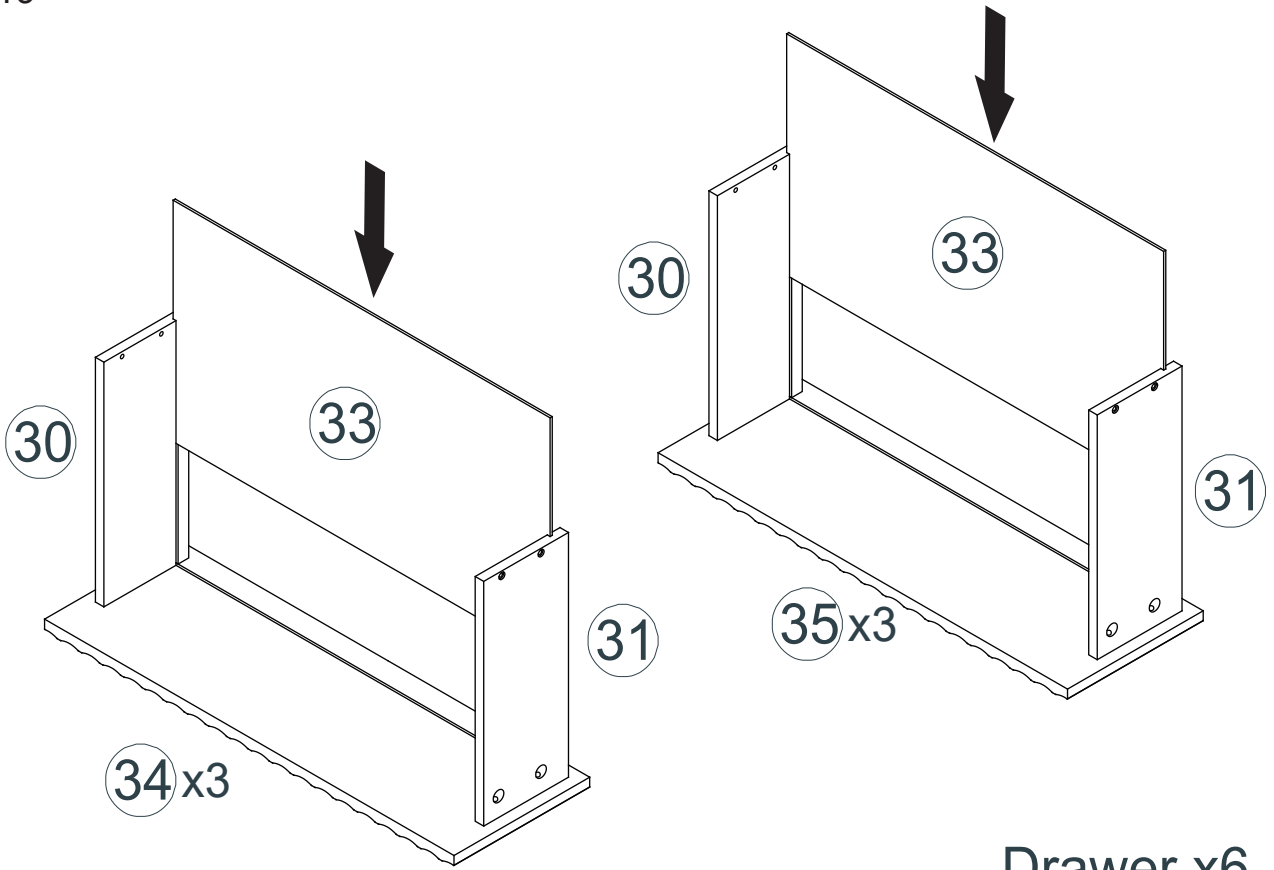
Step 18

Hardware Needed		
D		x24




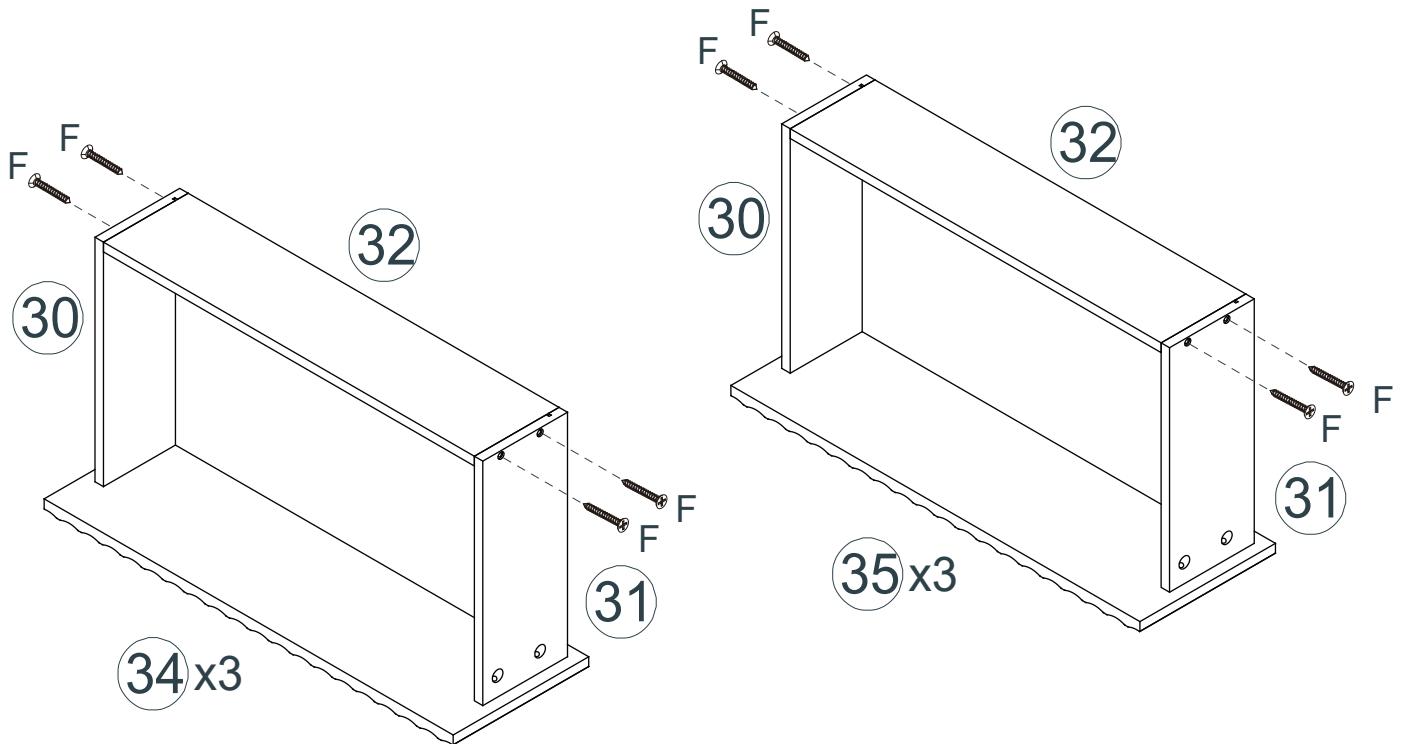
Drawer x6

Step 19



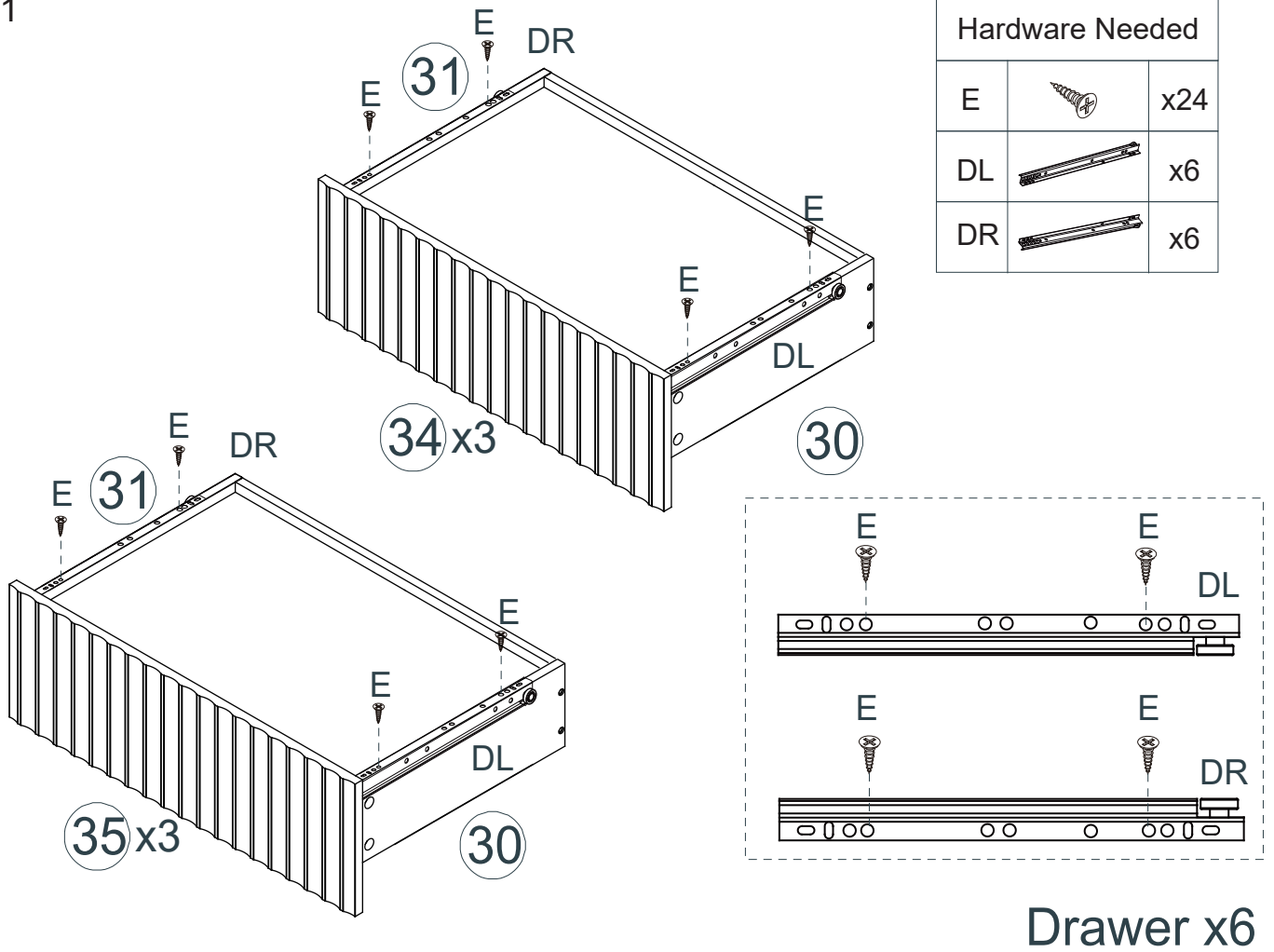
Step 20

Hardware Needed		
F		x24

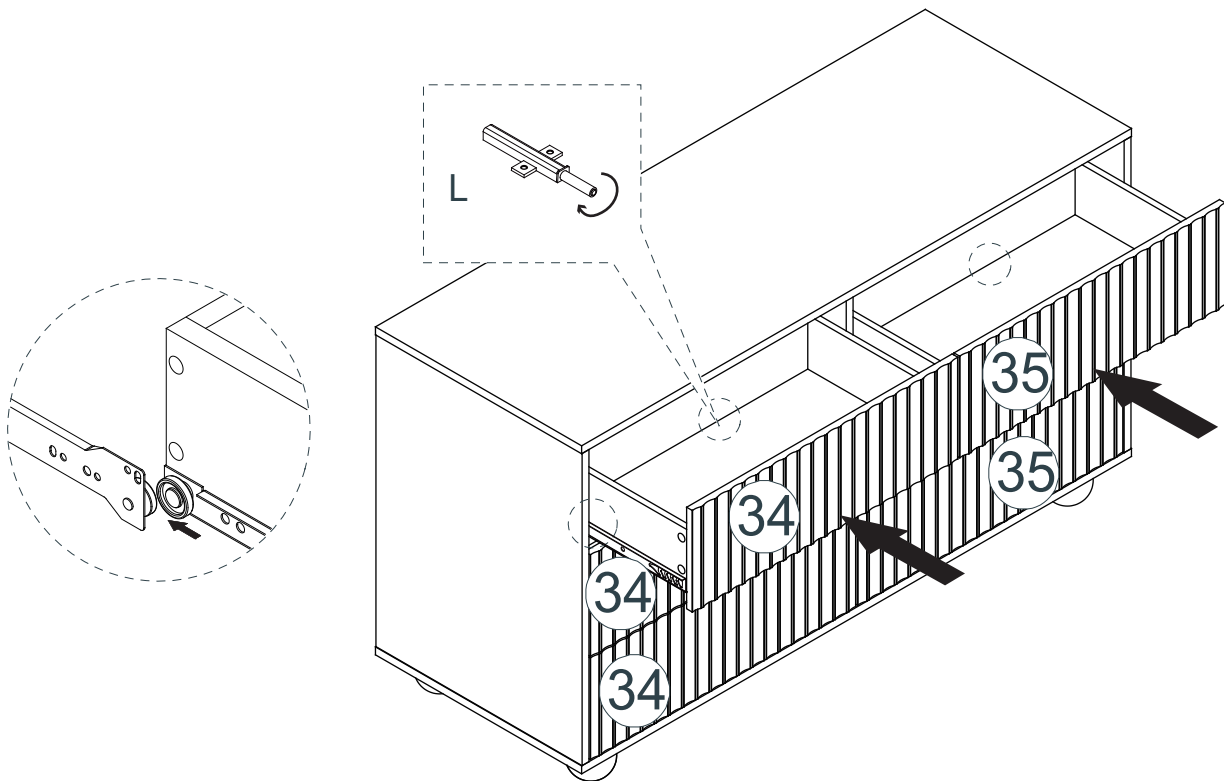


Drawer x6

Step 21

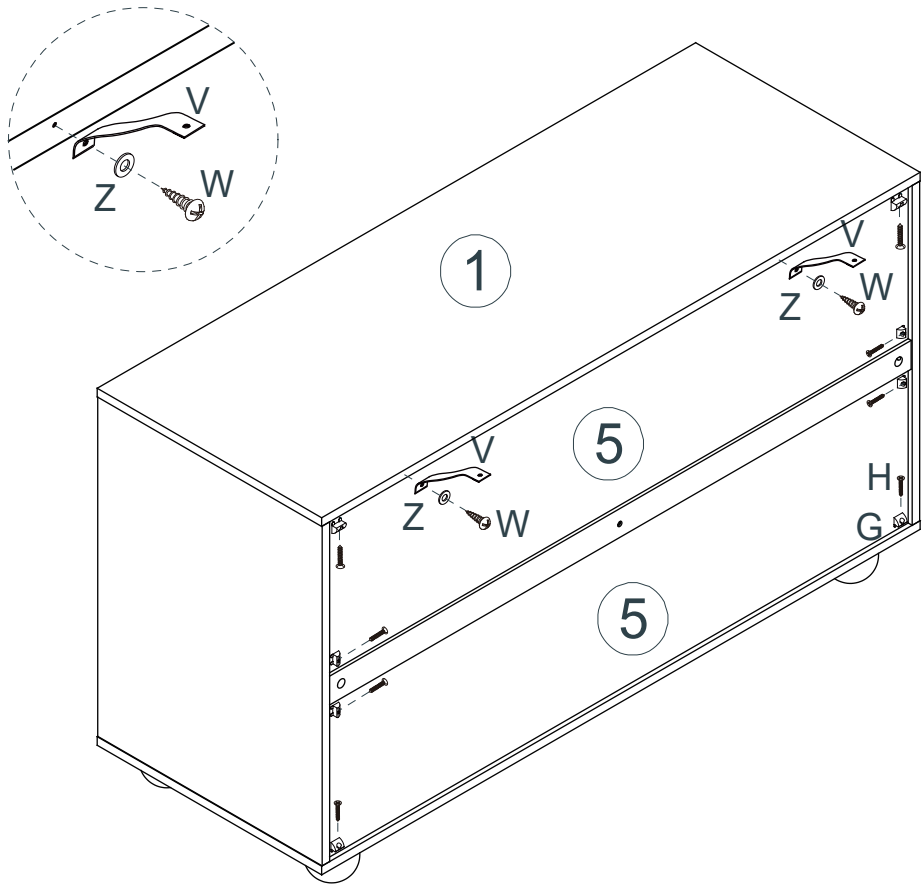


Step 22

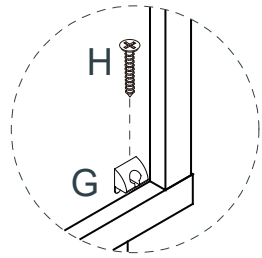


Insert the assembled drawers into the corresponding compartments as shown. Ensure the drawers slide easily along the rails. If the Drawer is not catching or sitting flush, twist the end of the Bracket (L).

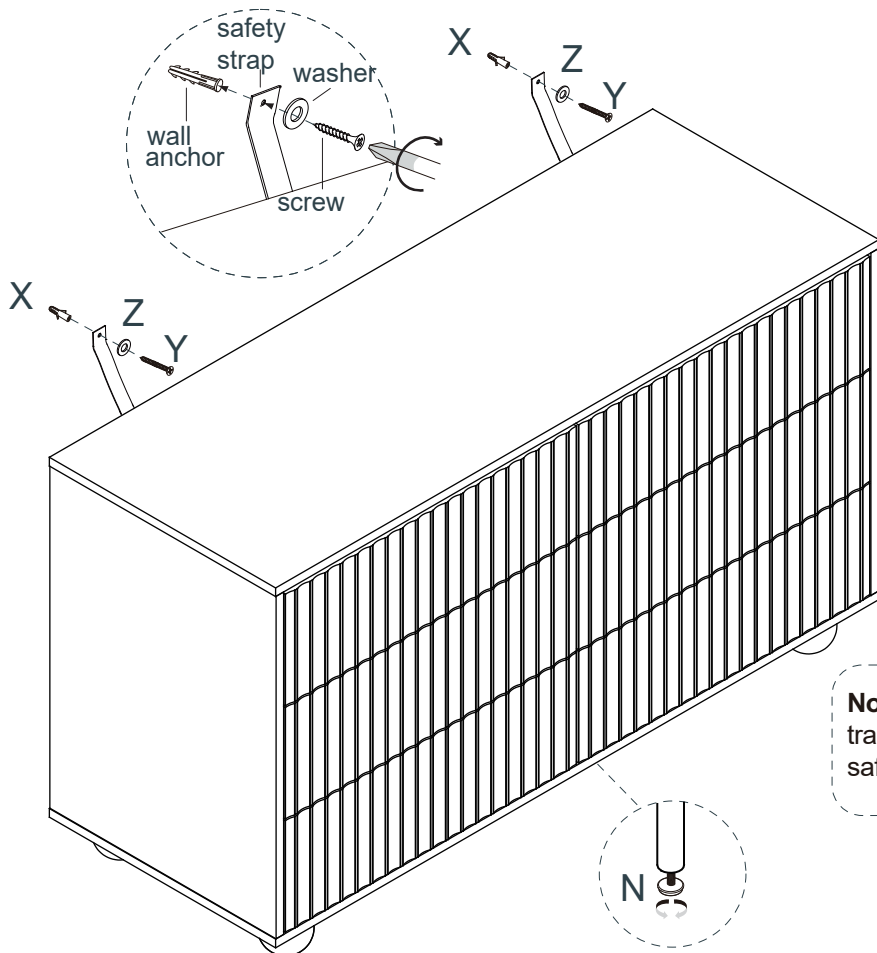
Step 23



Hardware Needed		
G		X8
H		X8
V		X2
W		X2
Z		X2



Step 24



Hardware Needed		
X		x2
Y		x2
Z		x2

Note: Seek advice from a qualified trades person on how to attach this safety strap to your specific wall.

Twist the adjuster on centre leg to make sure the top panel is flush.