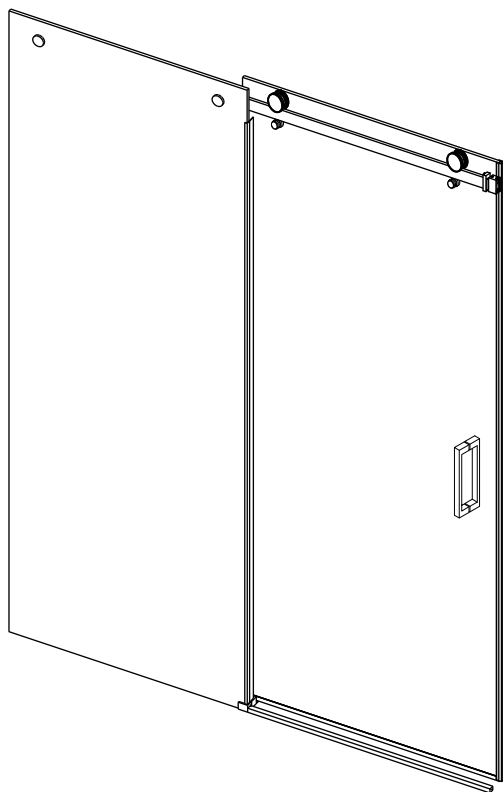


INSTALLATION INSTRUCTIONS



Trouble shooting:

Missing / Wrong / Broken parts and installation issues



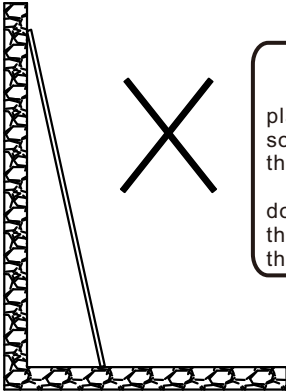
Send email with your question, pic and order NO. to
support@idealhouse.vip



Respond within 24 hours



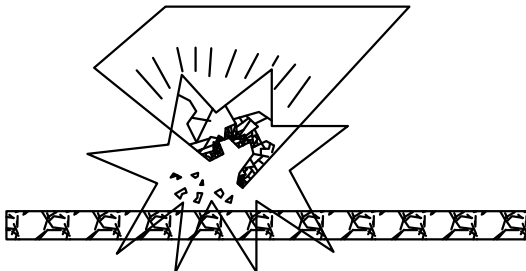
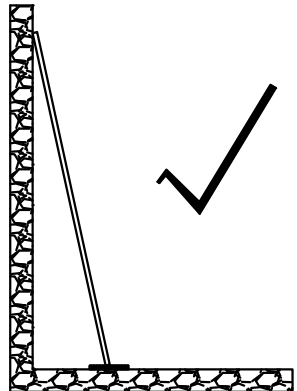
Issue resolved



WARNING

When the glass is placed upright, something soft should be placed on the bottom.

Tempered Glass, please don't hit the corners and the surrounding, otherwise the glass will burst.





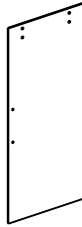
Part list



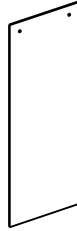
[01] x1
Aluminum Seal



[02] x1
Top rail



[03] x1
Door panel



[04] x1
Fixed panel



[05] x1
Gasket



[06] x1
Gasket



longer
[07A] x1
Gasket



shorter
[07B] x1
Gasket



[08] x1
Handle set



[09] x2
Anti-collision
Component



[10] x2
Top Roller



[11] x2
Fixing part



[12] x1
Door Guider



[13] x2
Wall cover



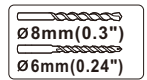
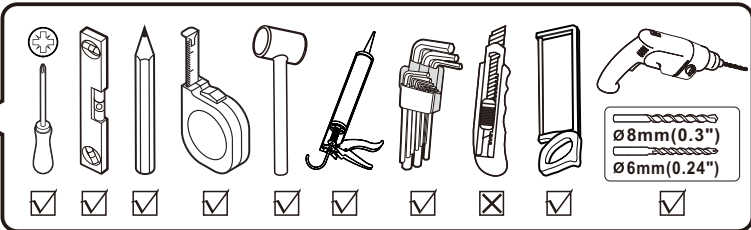
[14] x2
Stopper

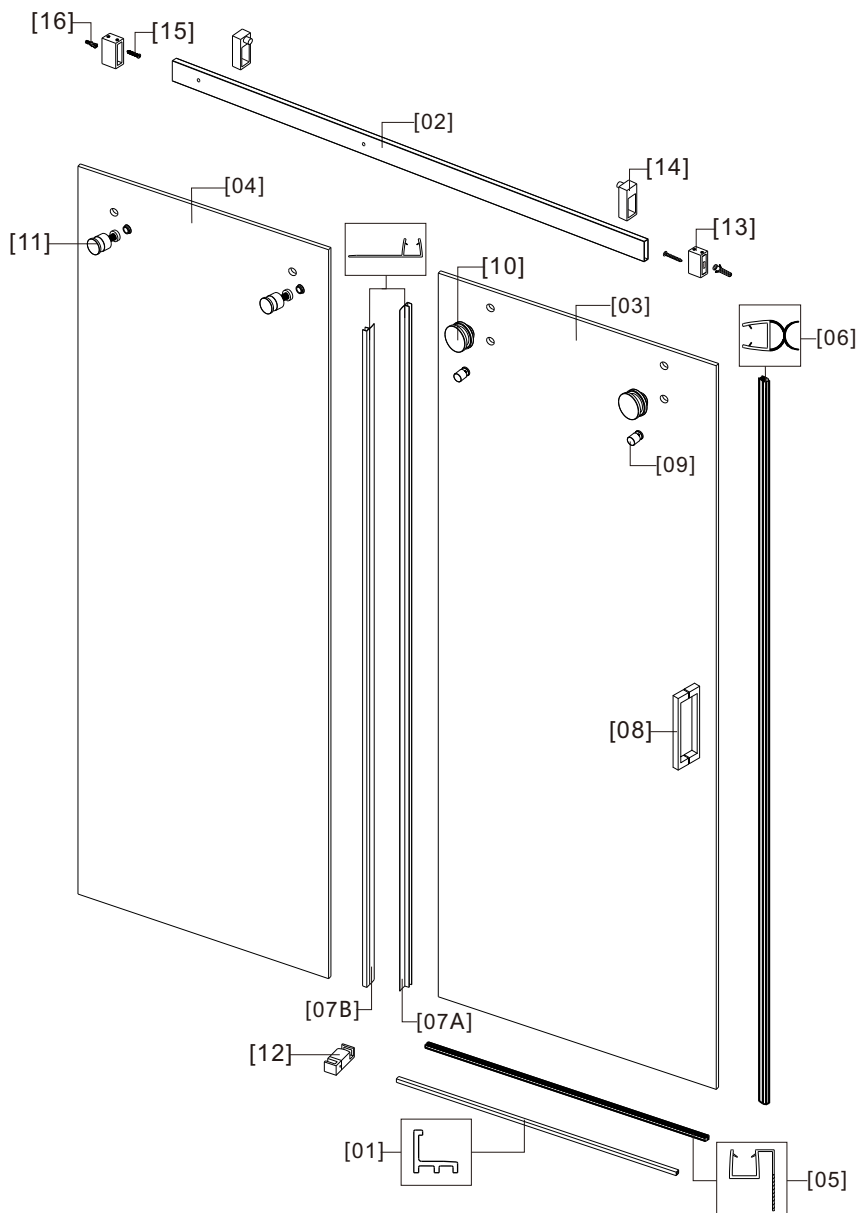


[13] x2
Wall plug



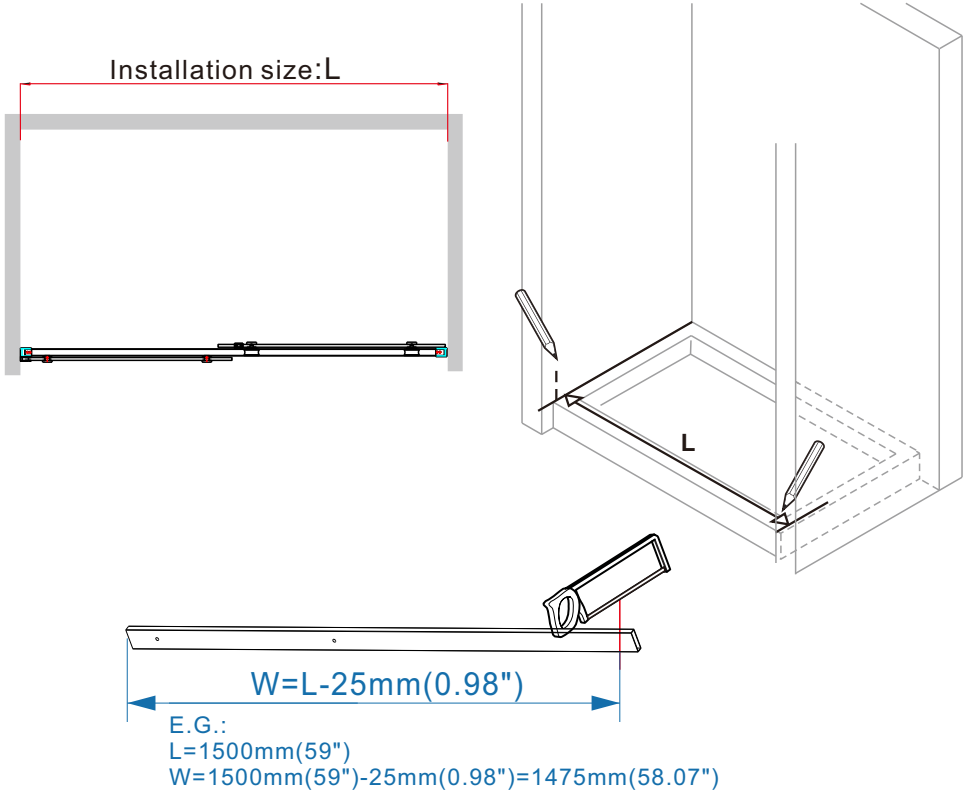
[14] x2
Screw
ST5X40
(ST0.2**1.57")





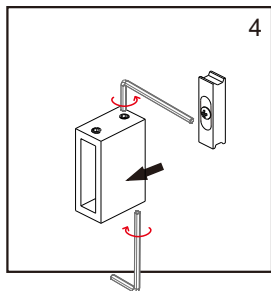
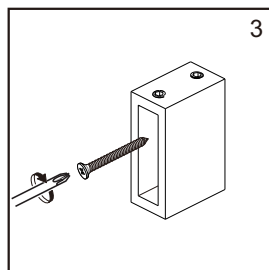
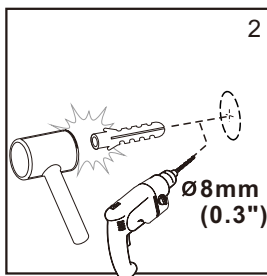
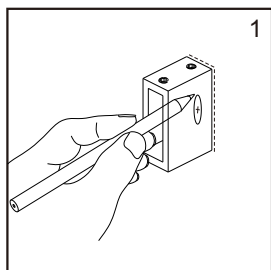
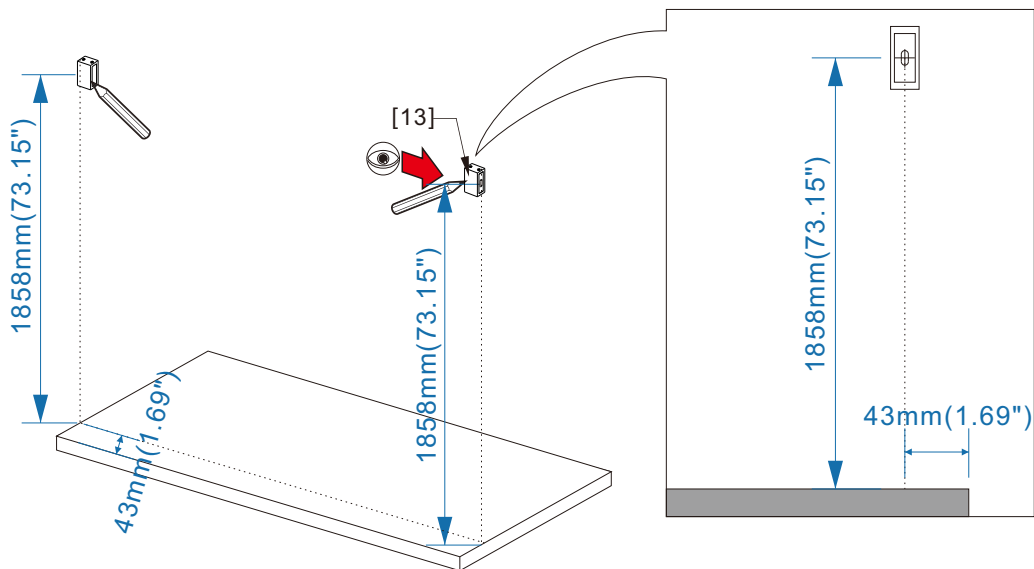


01



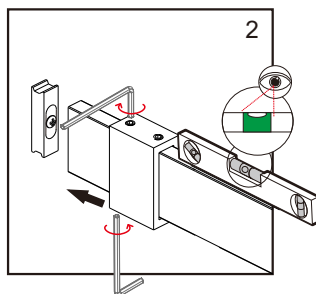
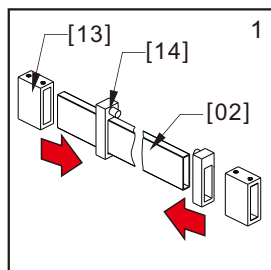
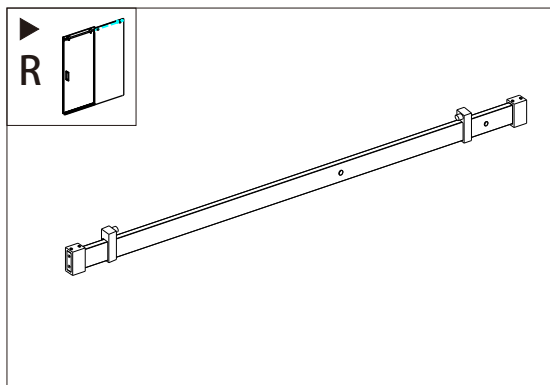
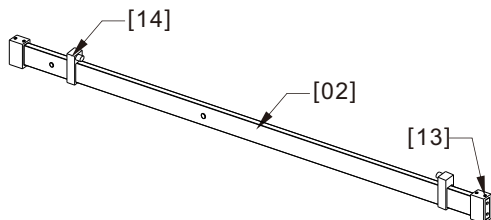
1. Measuring Installation size L
2. When you need to cut short, cut at the end of the diagram. After cutting, the track length W is 25mm (0.98")

02



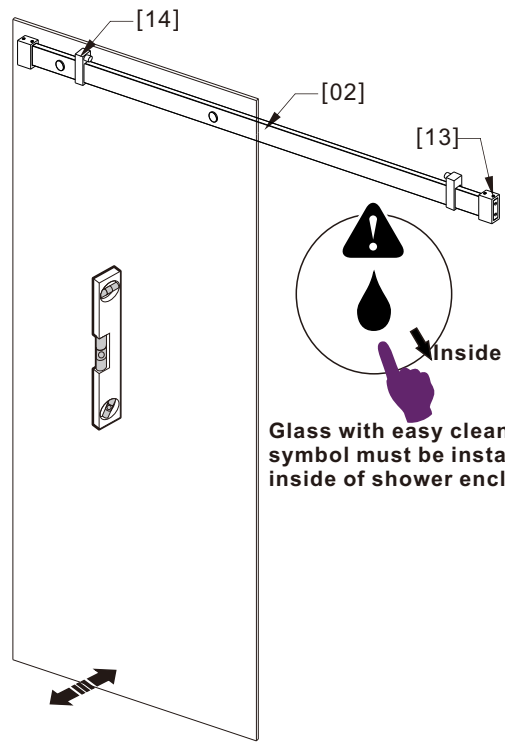
1. Measure [13] the wall cover installation position, and make a line: The wall cover's center position should be 1858mm (73.15") from the bottom basin or floor, 43mm (1.69") from the edge.
2. Drill with $\varnothing 8\text{mm}$ (0.3") bit and insert expansion cover
3. Screw the Wall Cover.
4. Use a hex wrench to loosen the screws and remove the wall cover.

03

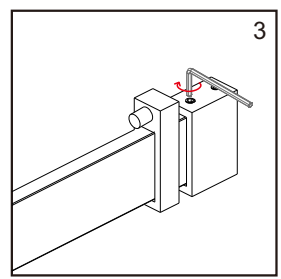
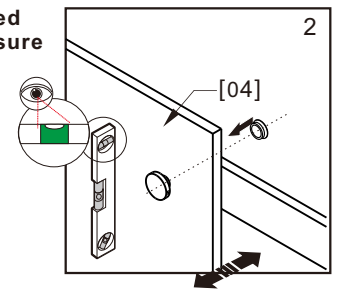
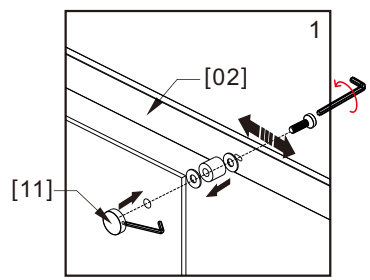


- ❶. The removed [13] wall cover and [14] locator are respectively put on both ends of the [02] top rail.
- ❷. The top rail should be [02] against the wall cover base, and tighten the wall cover with a hex wrench, pay attention to keep the top rail level.

04



Glass with easy clean symbol must be installed inside of shower enclosure

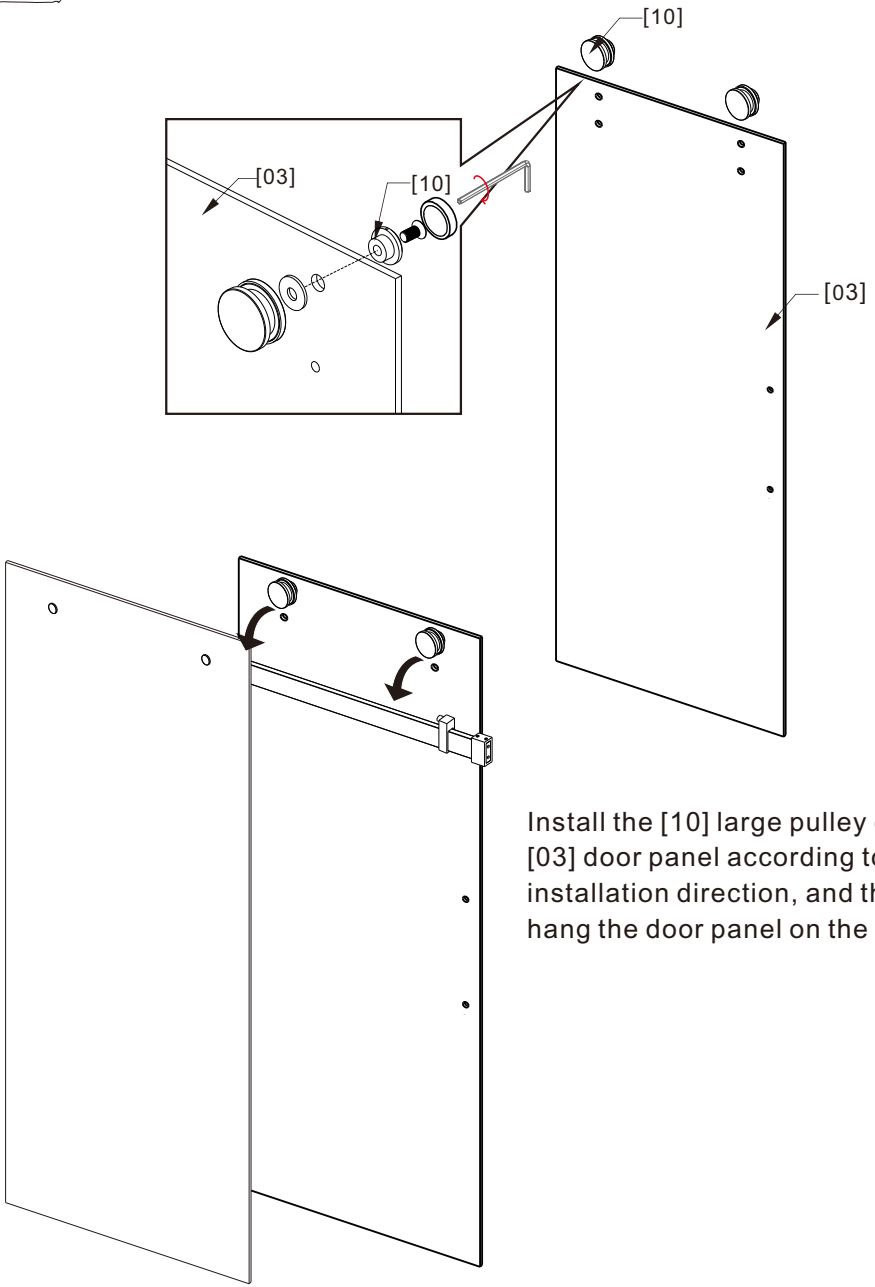


❶. The [02] top rail and the [04] fixing glass are connected together with the [11] fixing part, and locked, if the gap between the fixing glass and the wall is too large during the installation process, the left and right positions of the fixing piece can be adjusted.

❷. Adjust the position of the fixed glass so that the bubble of the horizontal ruler is in the middle position and the fixed glass is perpendicular to the horizontal plane. Cover the cap of fixing part on the top rail.

❸. Tighten the top wire of the wall sleeve with a hexagon wrench.

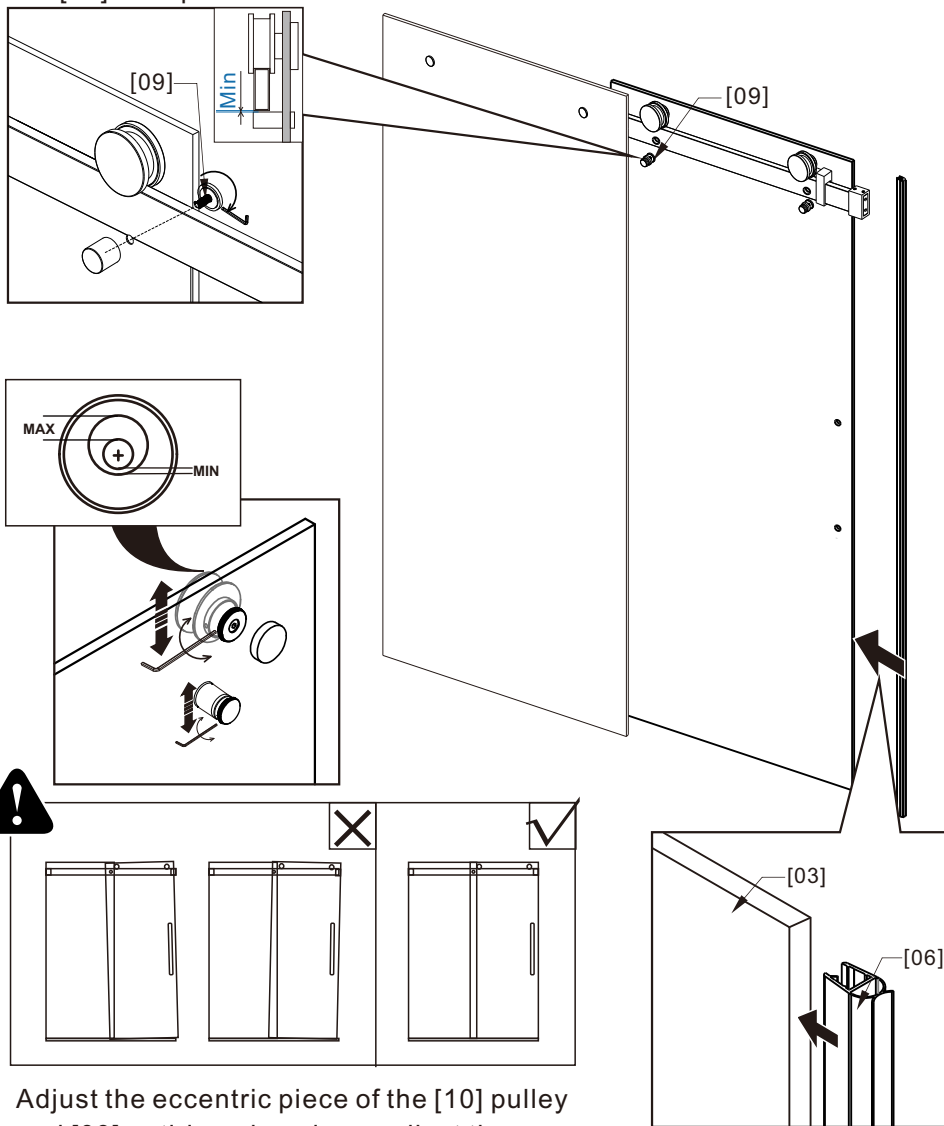
05



Install the [10] large pulley on the [03] door panel according to the installation direction, and then hang the door panel on the top rail.

06

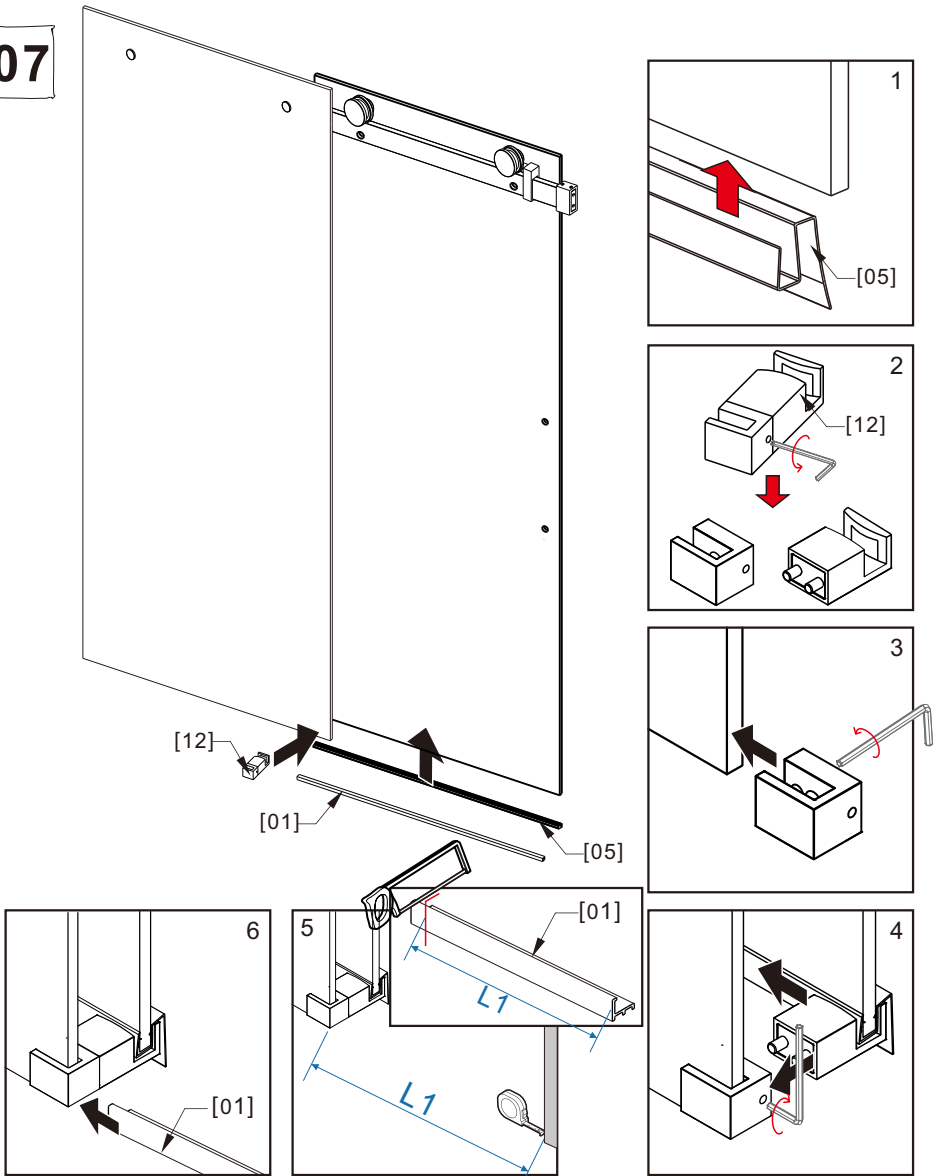
Install the [09] Anti-collision Component on the [03] door panel.



Adjust the eccentric piece of the [10] pulley and [09] anti-jumping piece, adjust the vertical angle of the door glass, make [06] bubble tape up and down parallel to the wall.

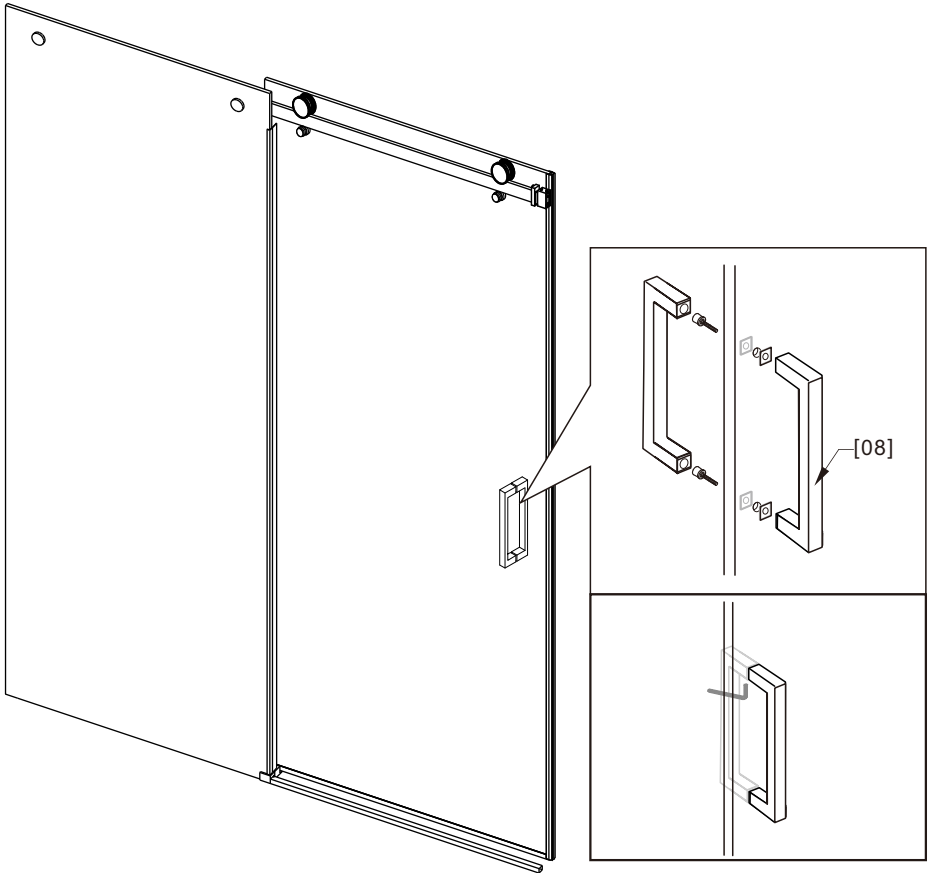
Install the [06] bubble tape on the [03] sliding glass while closing the door

07



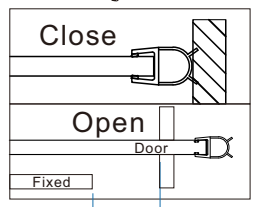
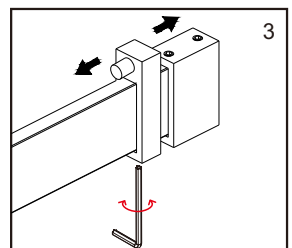
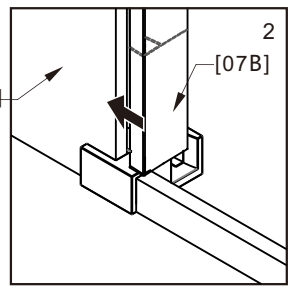
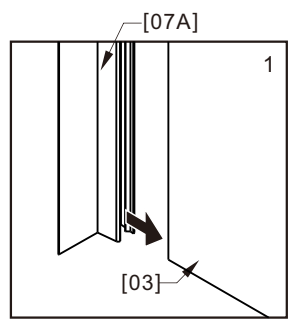
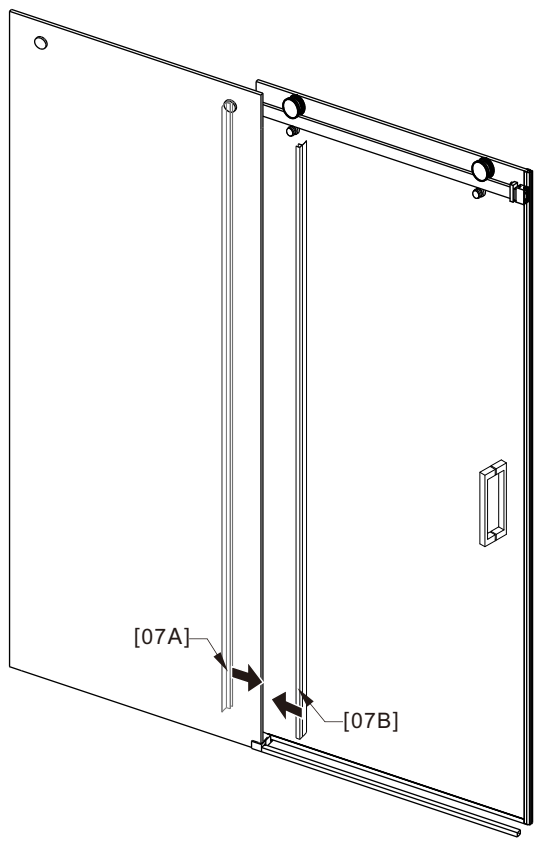
- ❶. Stuck [05] Gasket tape into the bottom of the door panel.
- ❷. Disassemble [12] door guider
- ❸. The guide piece is clamped into the fixed glass and secured with a hexagon wrench.
- ❹. Guide pieces from the bottom of the sliding glass into the guide pieces on the glass, then inserted into the Hexagon Wrench Lock .
- ❺. Measuring the distance from the edge of the guide piece to the wall to be L 1, and [01] the length of the aluminum seal shall also be L 1, and if it is long, cut it to shorter .
- ❻. Place the [01]aluminum seal material next to the door guider

08



Remove the [08] handle, mount it on the [03] door panel, and lock it with a hexagon wrench

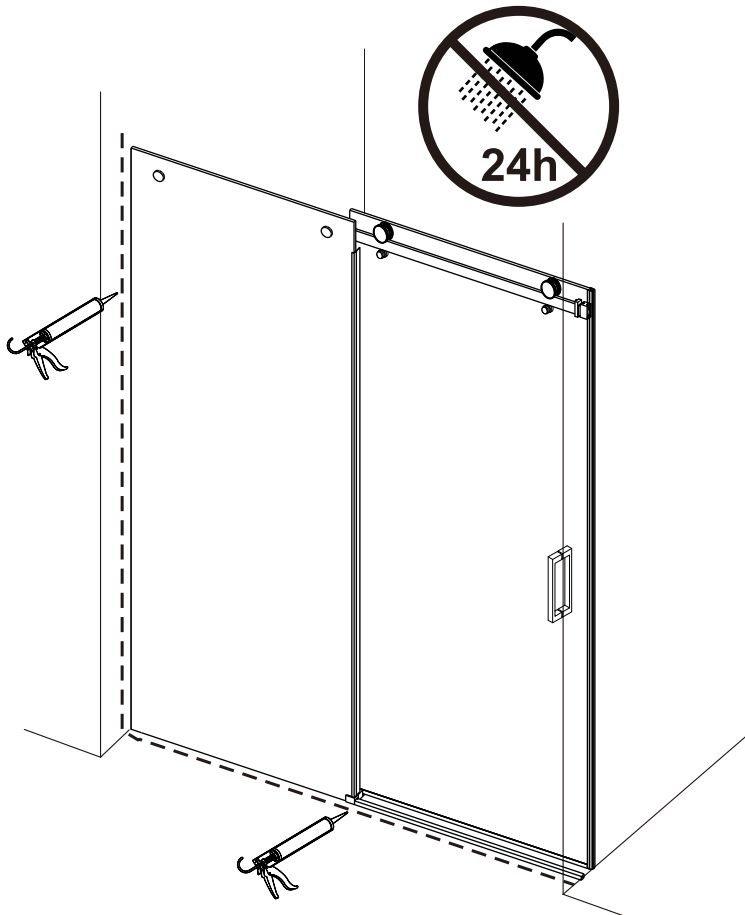
09



35mm (1.38")

- ①. Install [07A] Gasket tape on [03] door panel.
- ②. Install [07B] Gasket tape on [04] fixed panel.
- ③. Adjust the locator on the track, so that the bubble tape on the door glass can be close to the wall after the door, open the door handle from the fixed glass 35mm(1.38") , to prevent clamping.

10



Put the glue in the product edge and the ground wall joint (dotted line position) , and do not spray and move the product within 24 hours.