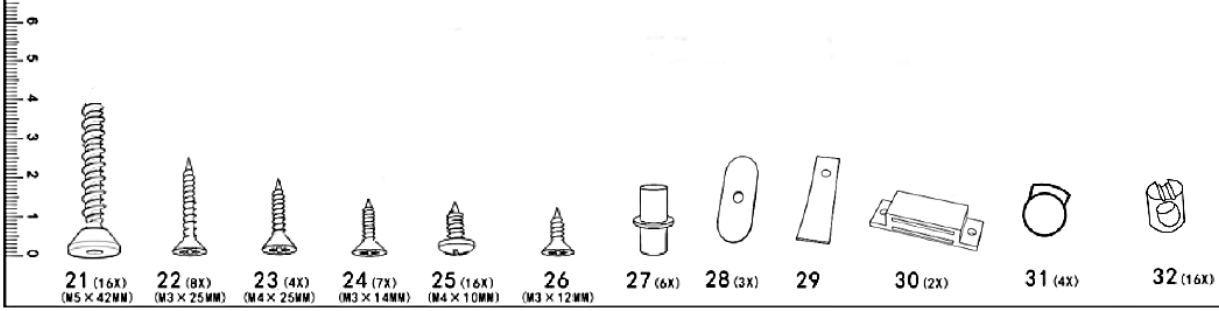


ITEM: HW56608

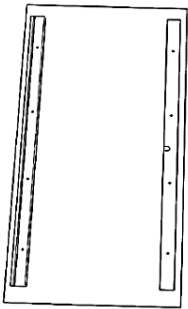
Screws:



Tools:

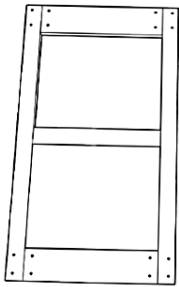


33



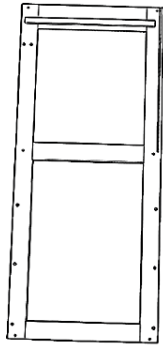
1

(670 X 370 X 15MM)



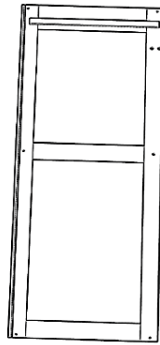
2

(600 X 340 X 15MM)



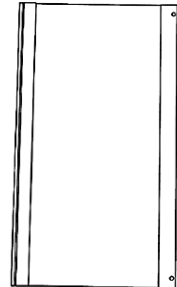
3L

(785 X 340 X 15MM)



4R

(785 X 340 X 15MM)



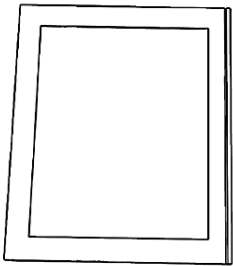
5

(600 X 340 X 15MM)



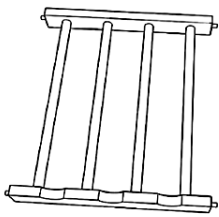
6

(600 X 35 X 16MM)



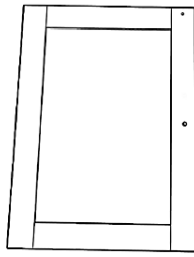
7

(400 X 340 X 15MM)



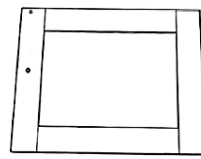
8 (3X)

(335 X 290 X 35MM)



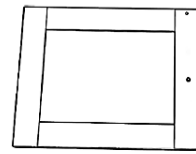
9

(400 X 290 X 15MM)



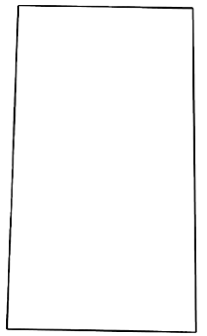
10L

(298 X 237 X 15MM)



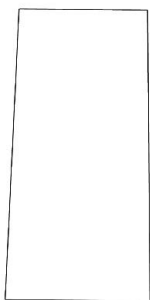
11R

(298 X 237 X 15MM)



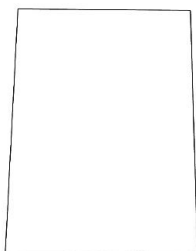
12

(608 X 342 X 3MM)



13

(580 X 265 X 3MM)



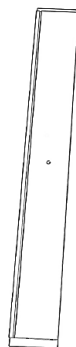
14

(412 X 302 X 3MM)



15

(600 X 72 X 15MM)



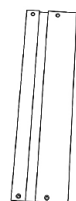
16

(572 X 72 X 15MM)



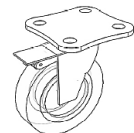
17L

(280 X 72 X 12MM)

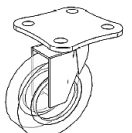


18R

(280 X 72 X 12MM)

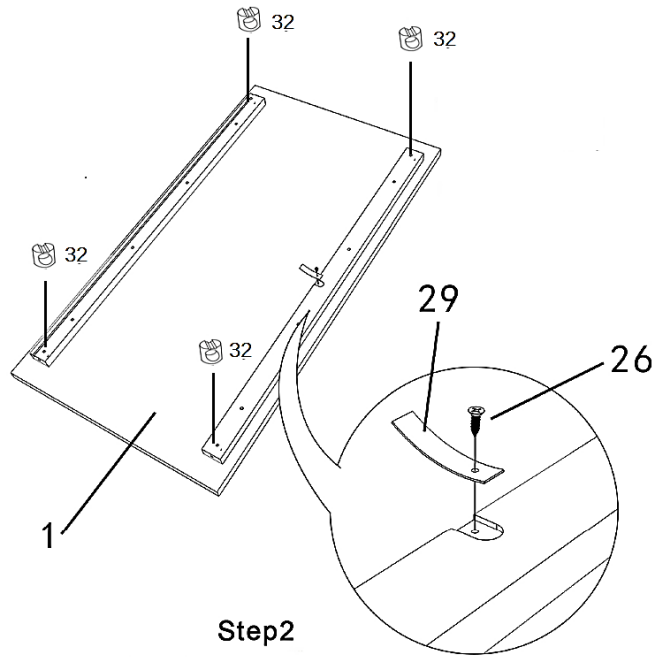
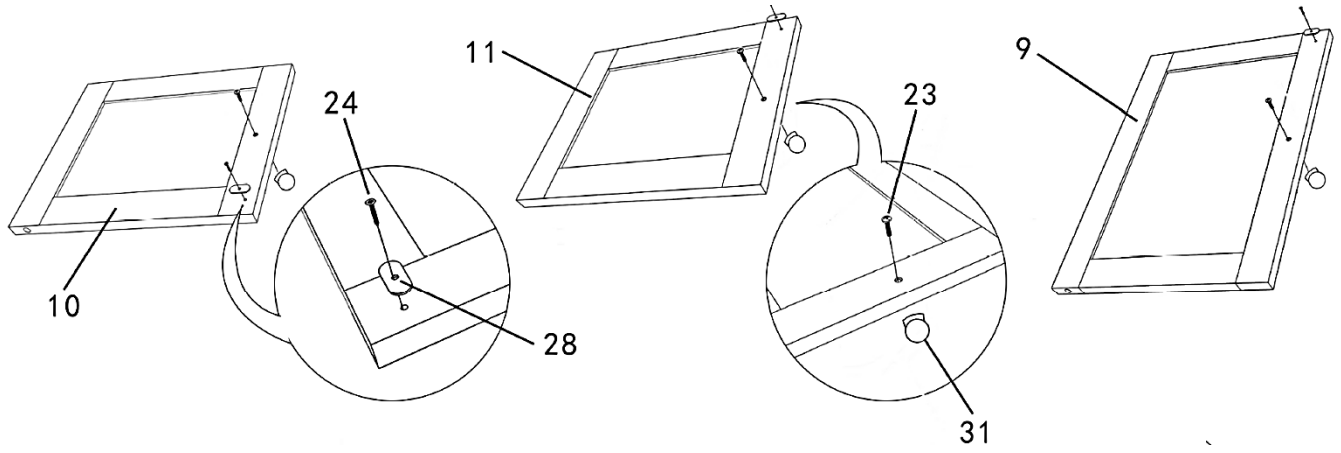


19 (2X)

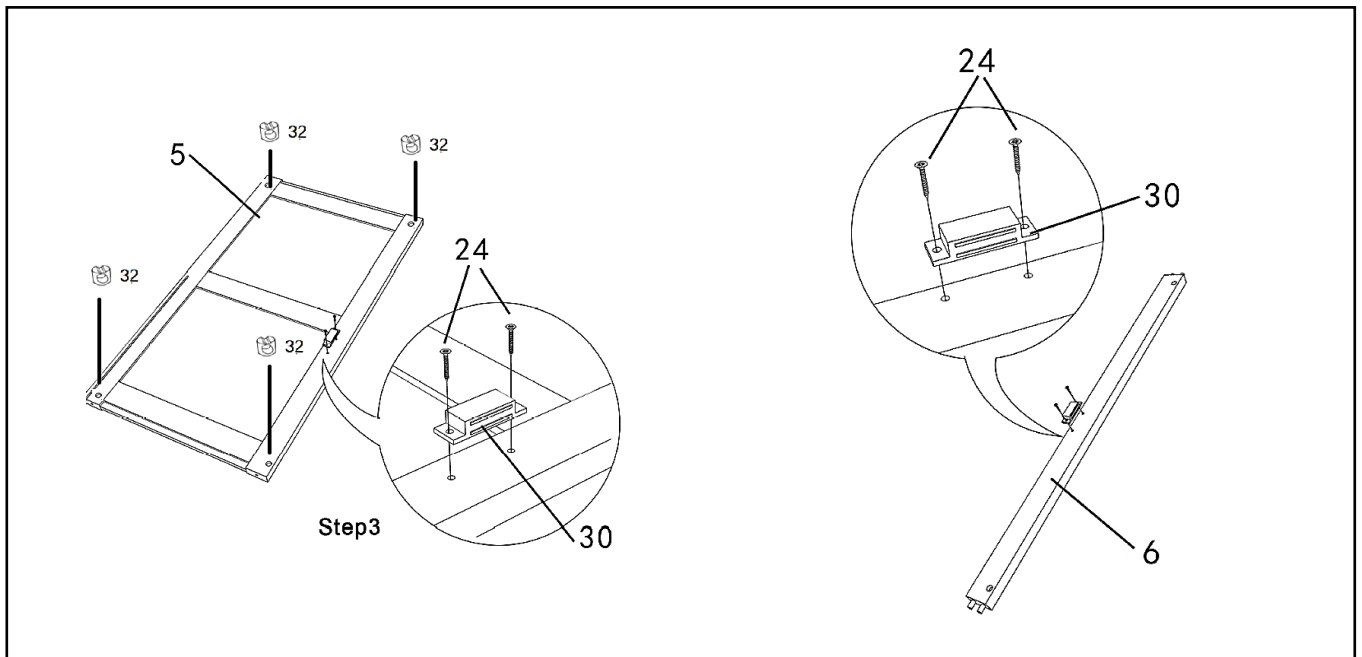


20 (2X)

Step 1:

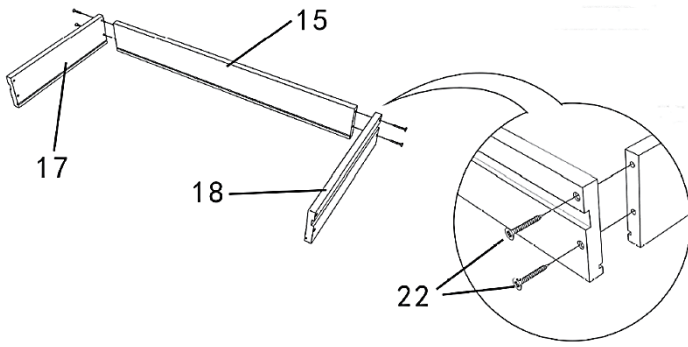


Step 2

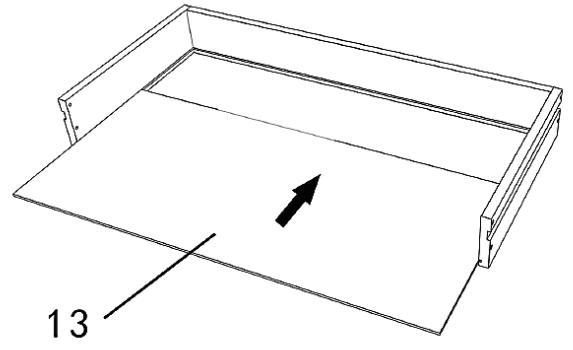


Step 3

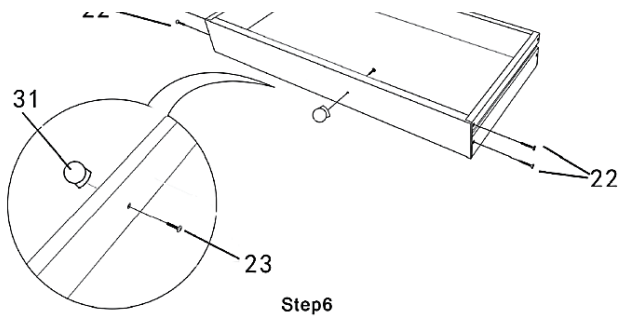
Step 4:



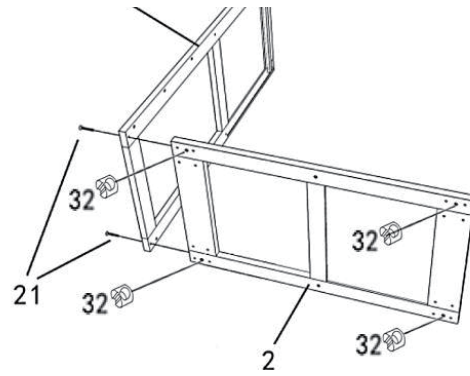
Step 5:



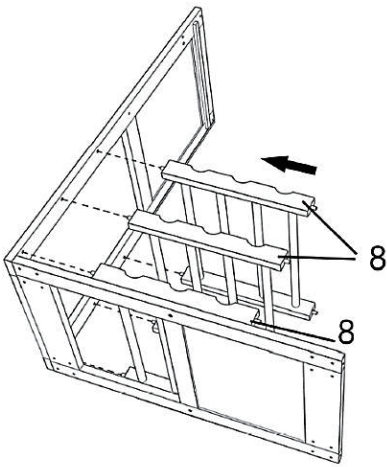
Step 6:



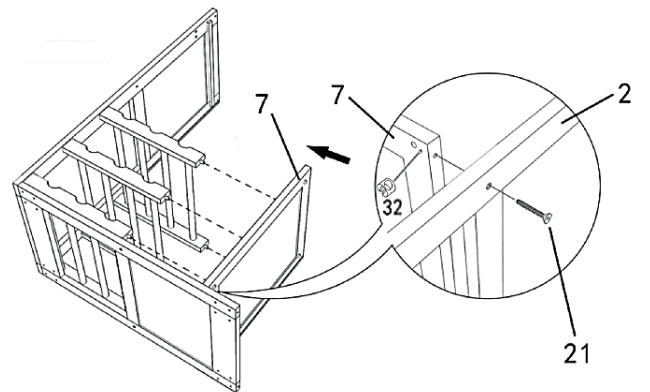
Step 7:



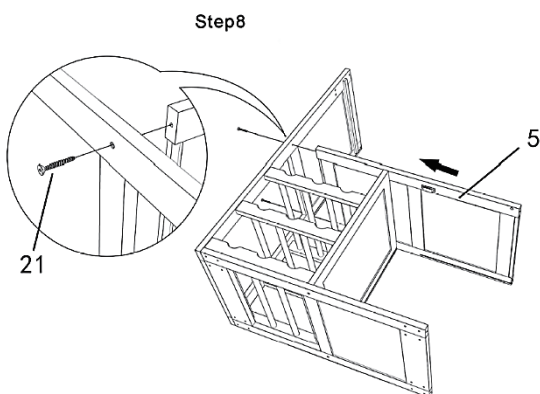
Step 8:



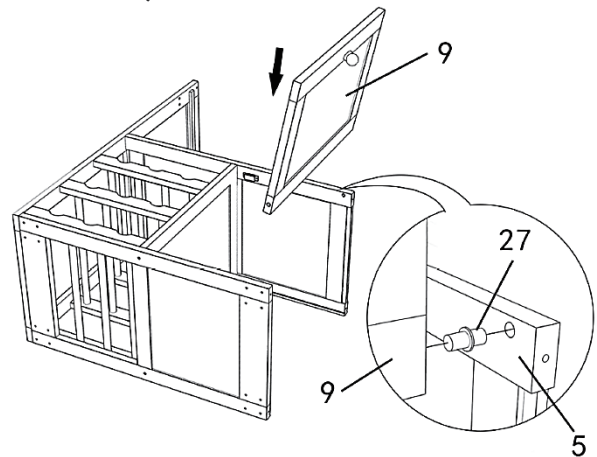
Step 9:



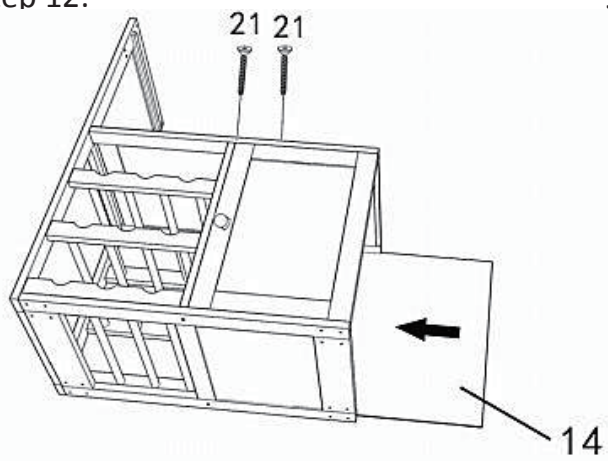
Step 10:



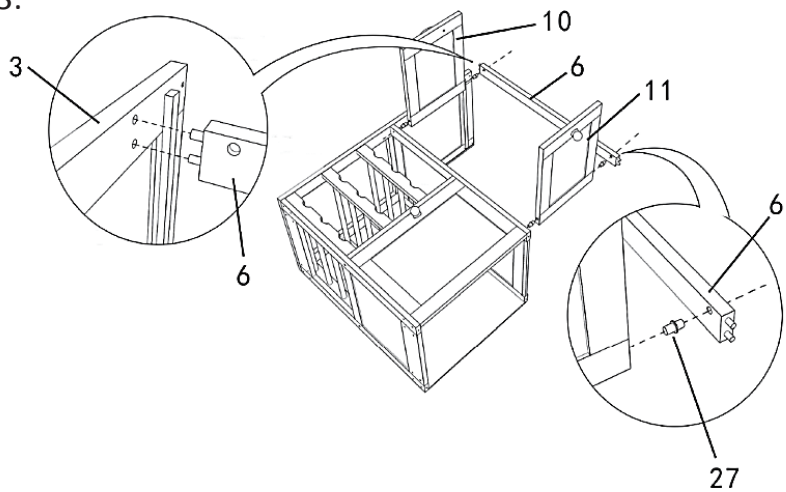
Step 11:



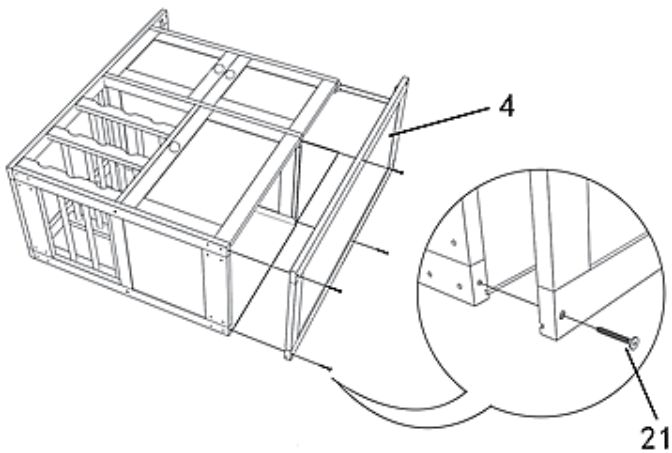
Step 12:



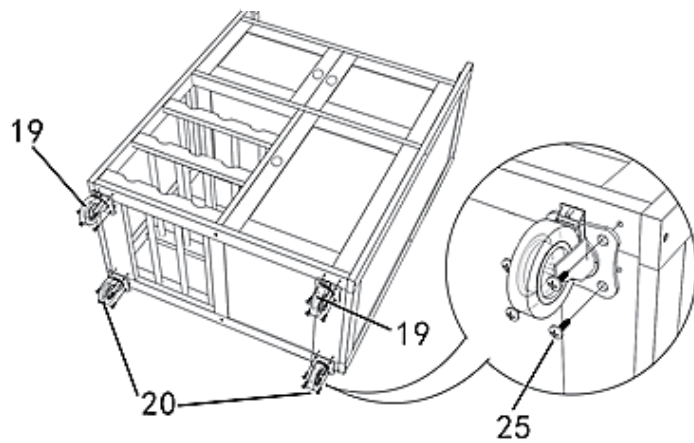
Step 13:



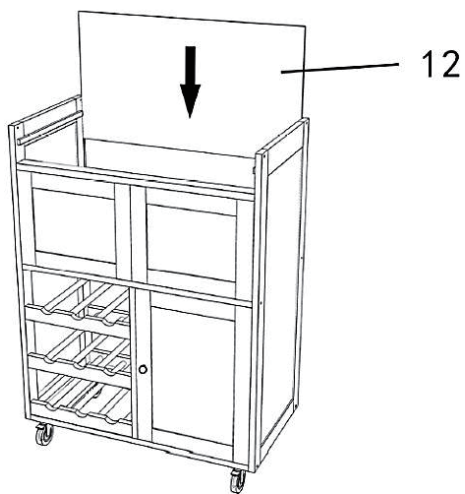
Step 14:



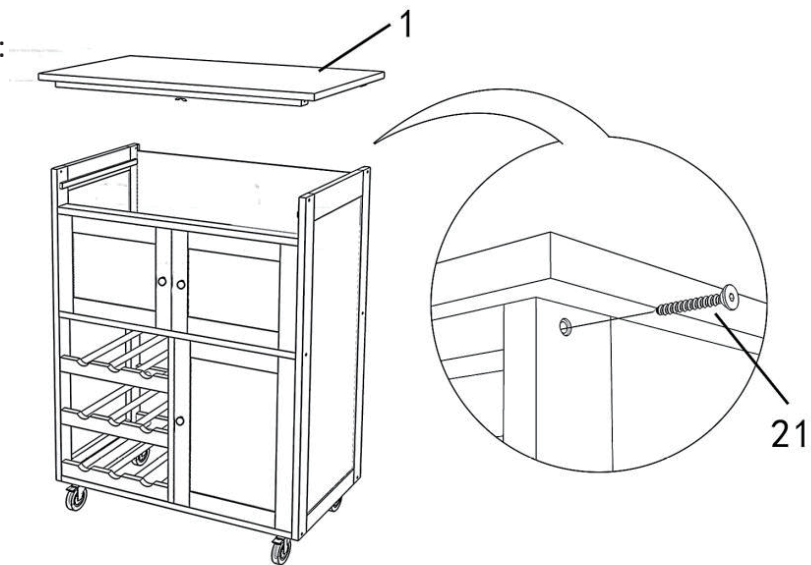
Step 15:



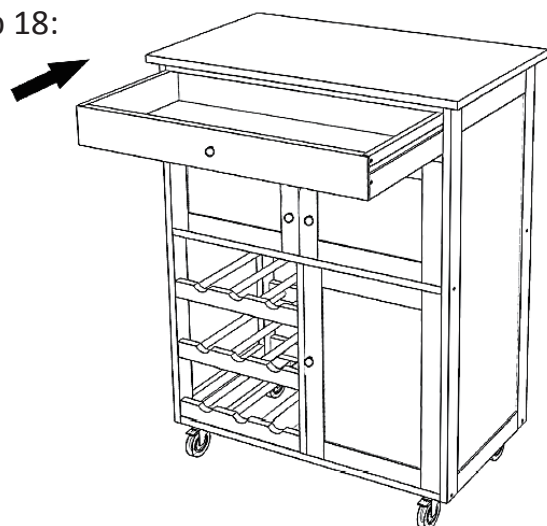
Step 16:



Step 17:



Step 18:



Step 19:

