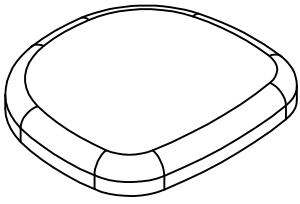
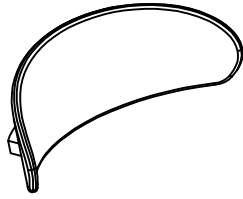


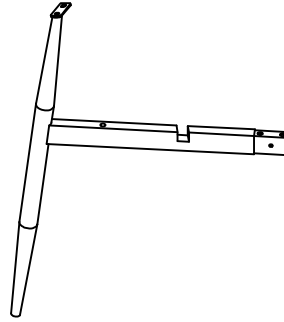
Part list



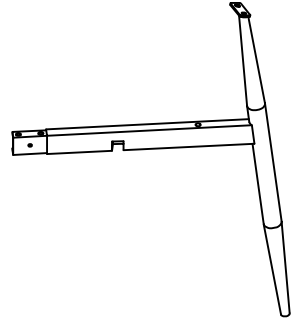
① X2



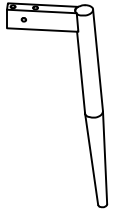
② X2



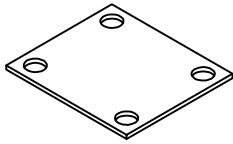
③ X2



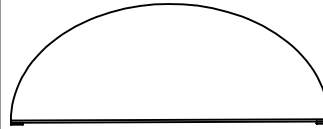
④ X2



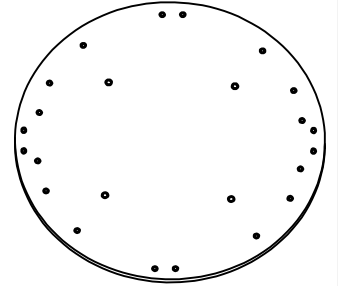
⑤ X4



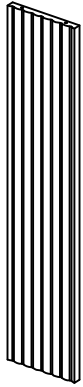
⑥ X2



⑦ X2



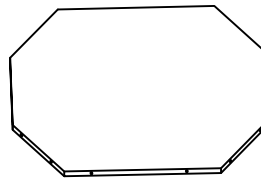
⑧ X1



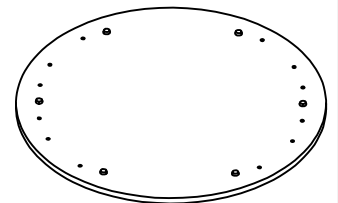
⑨ X4



⑩ X2



⑪ X1

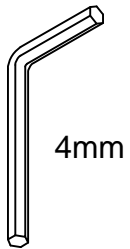


⑫ X1



⑬ X2

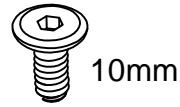
Hardware list



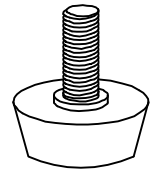
Ⓐ X1



Ⓑ X12+1



Ⓒ X20+1



Ⓓ X8



Ⓔ X12+1



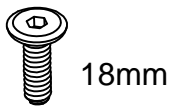
Ⓕ X12+1



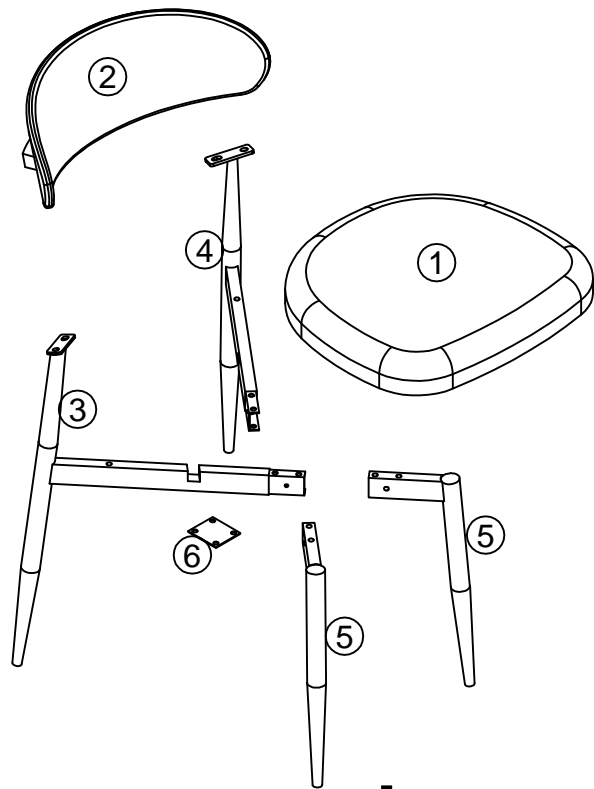
Ⓖ X24+1



Ⓖ X5+1

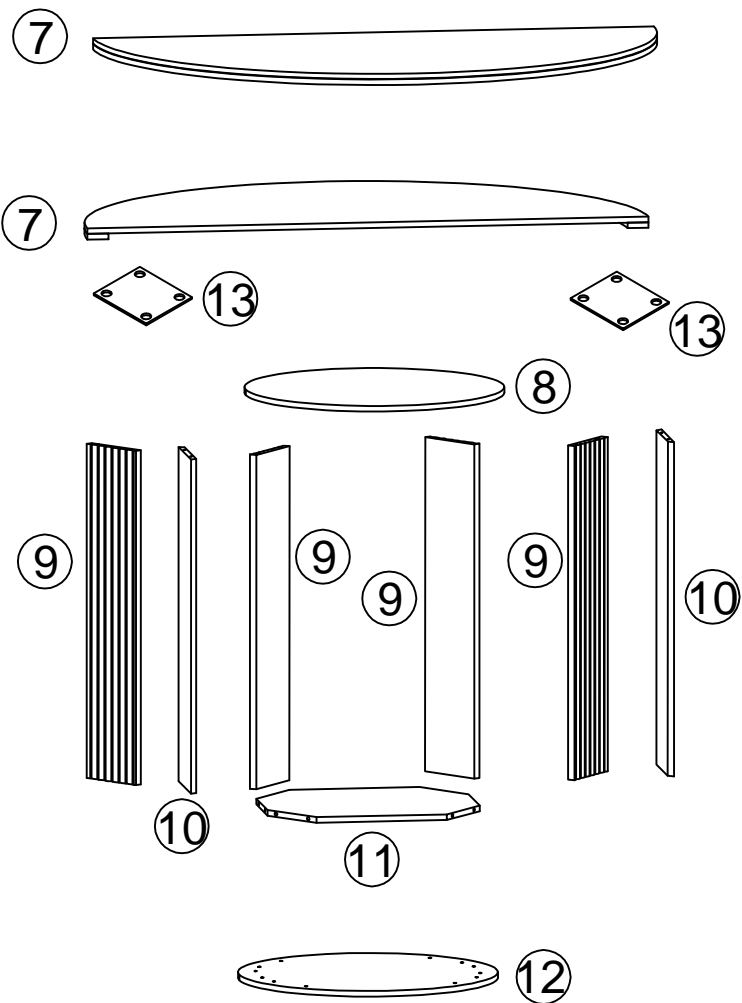


Ⓘ X20+1



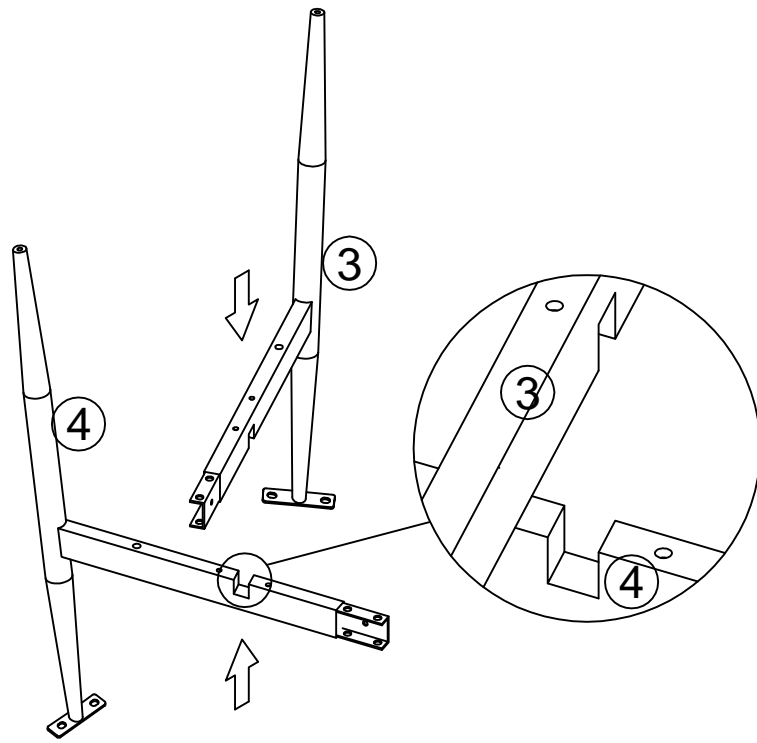
X2

and



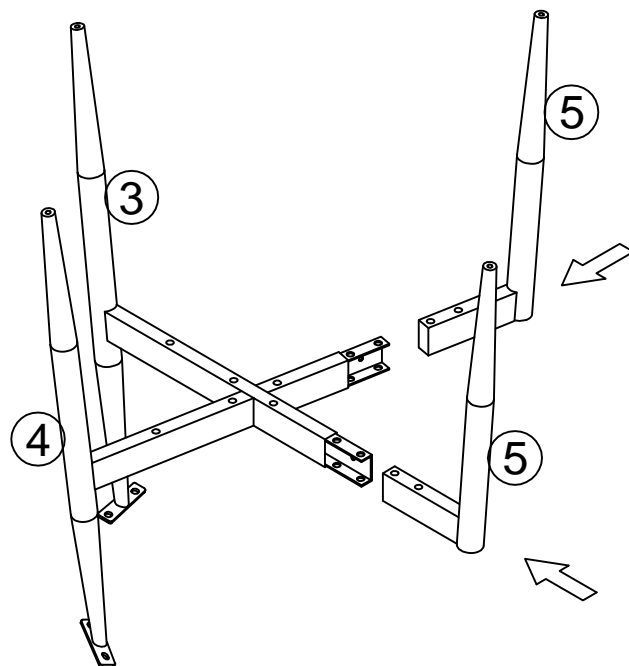
1

X2



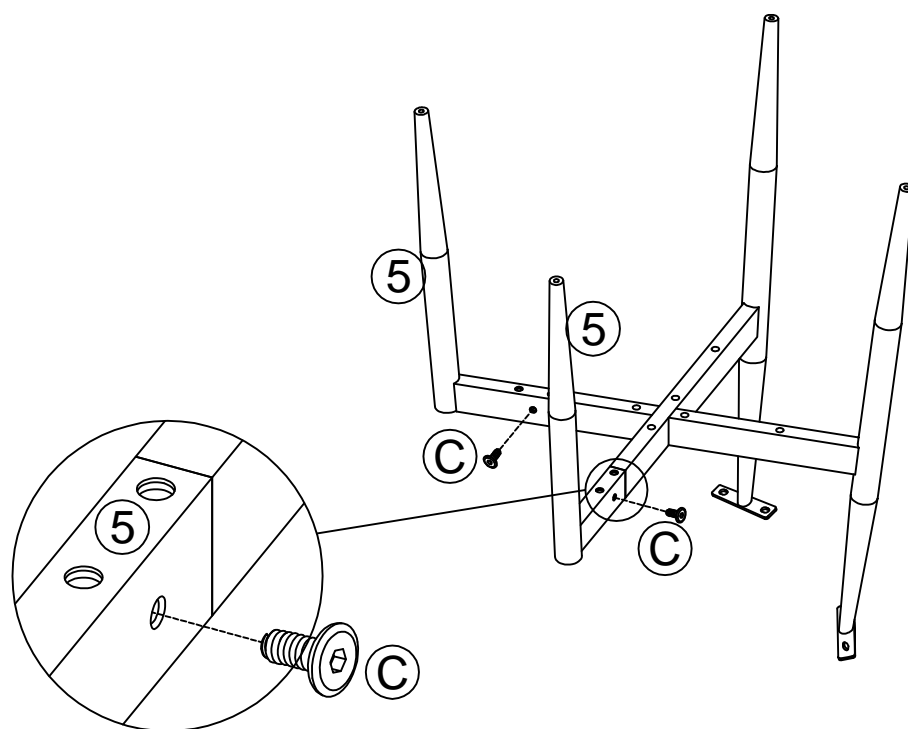
2



X2



3

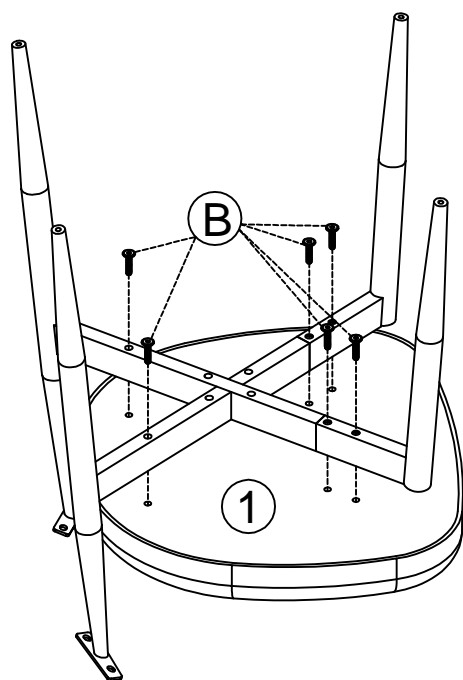
X2


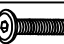


A		1 pcs
C		4 pcs

4

X2

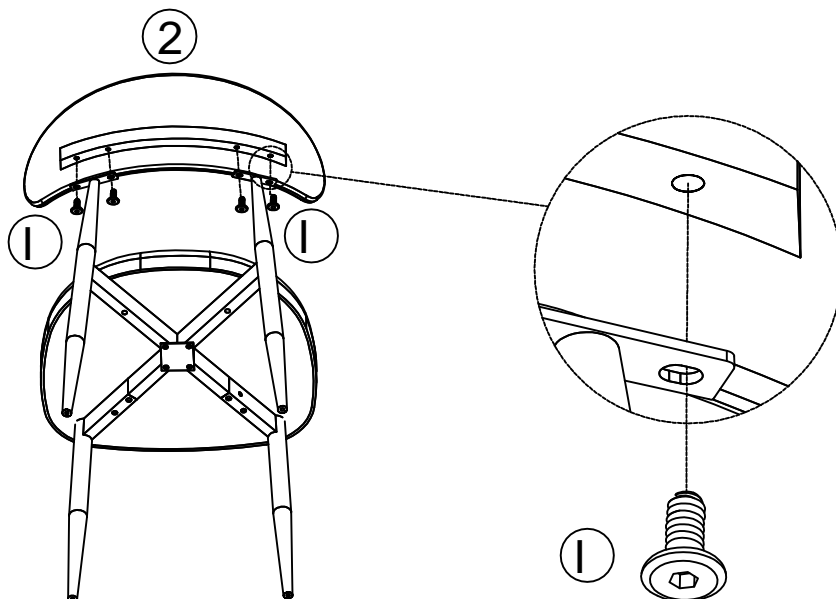




A		1 pcs
B		12 pcs

For this step, first make sure all the screws are securely fastened, and then tighten them completely.

5

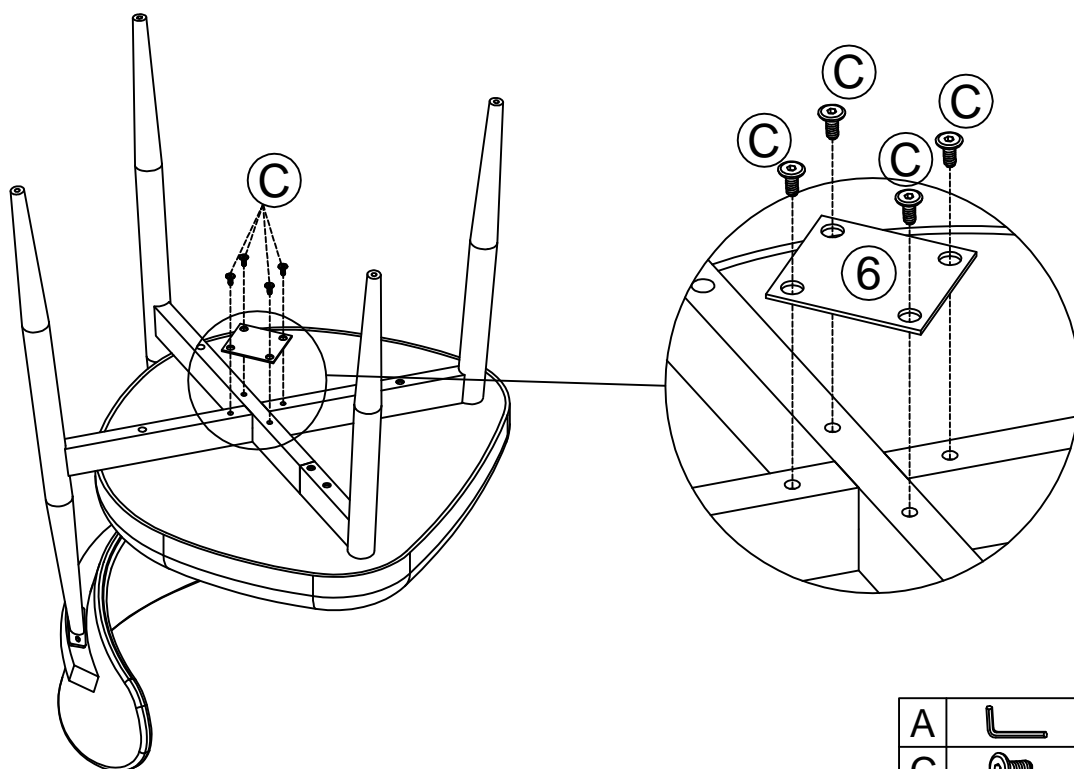
X2





A		1pcs
I		8pcs

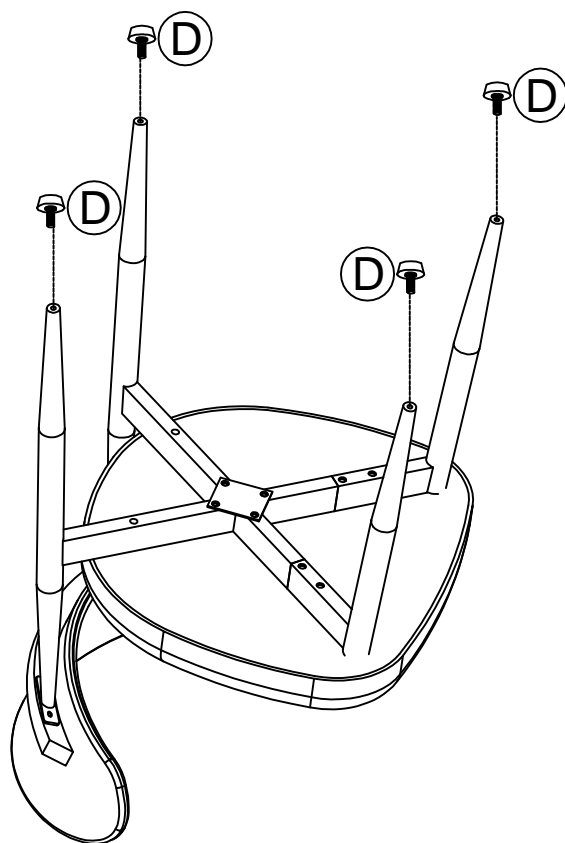
6

X2




A		1pcs
C		8pcs

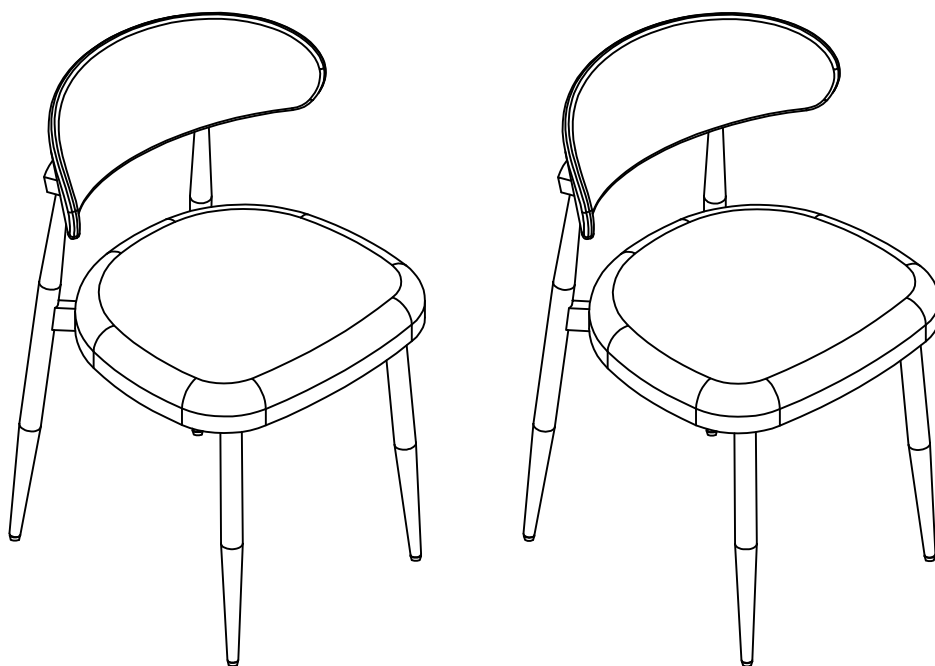
7



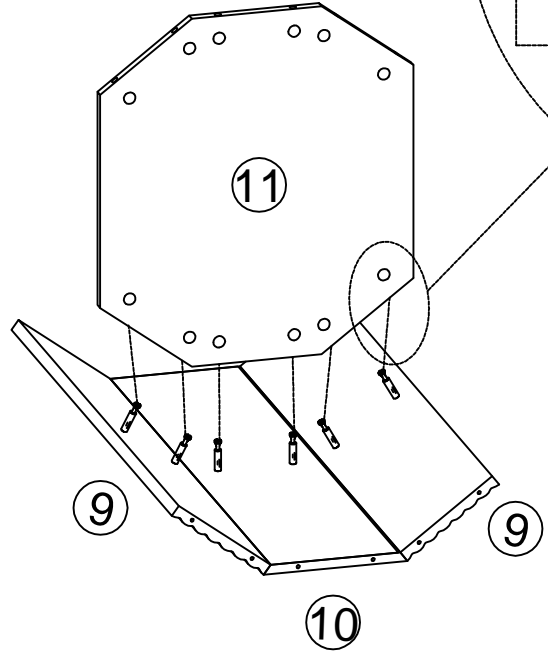
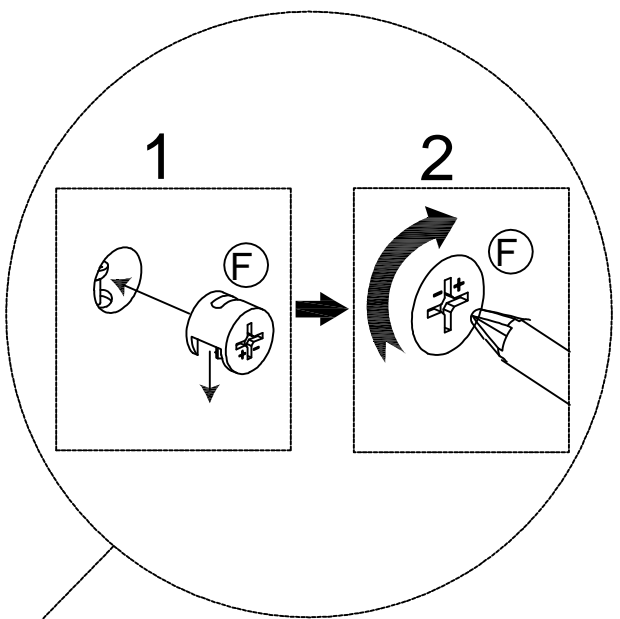
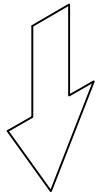
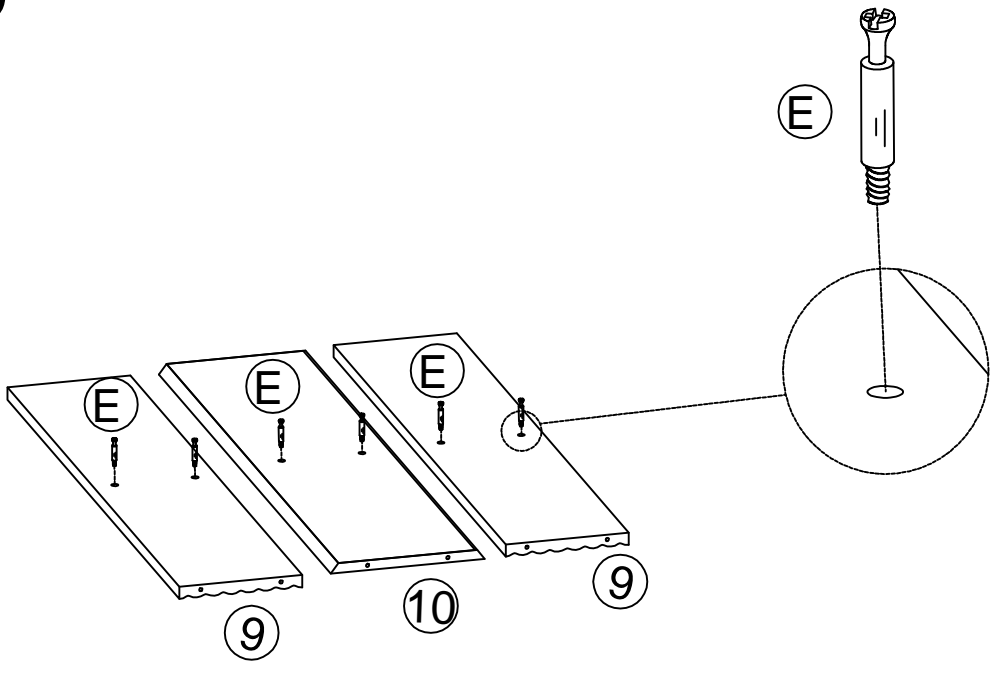
X2

D		8pcs
---	---	------

8

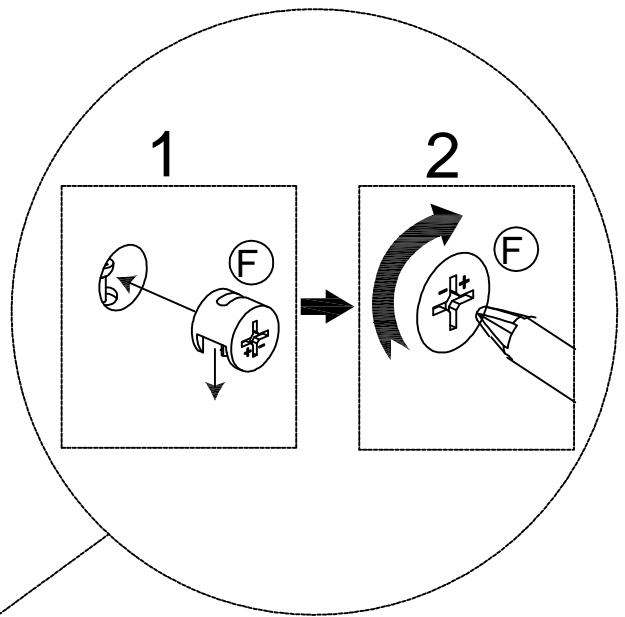
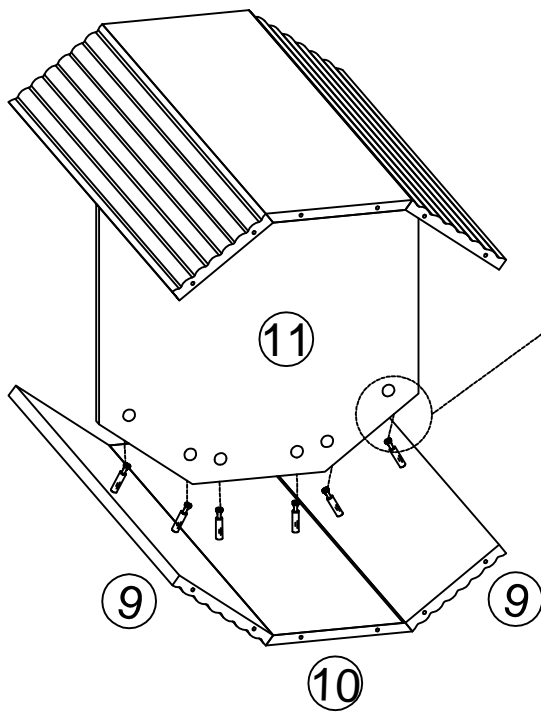
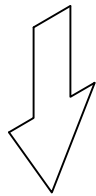
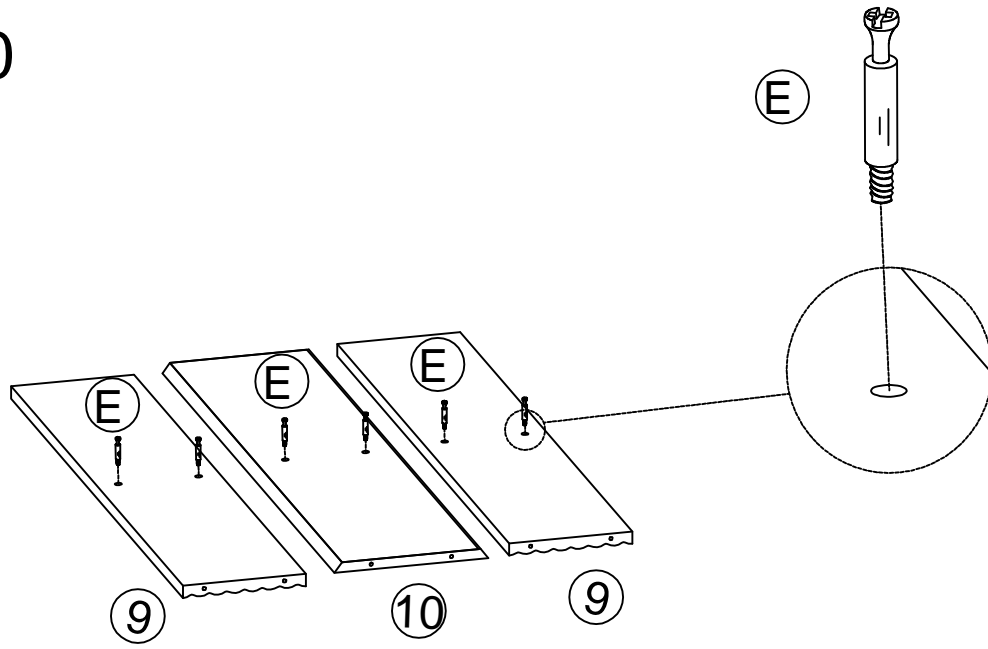




9



F		6pcs
E		6pcs

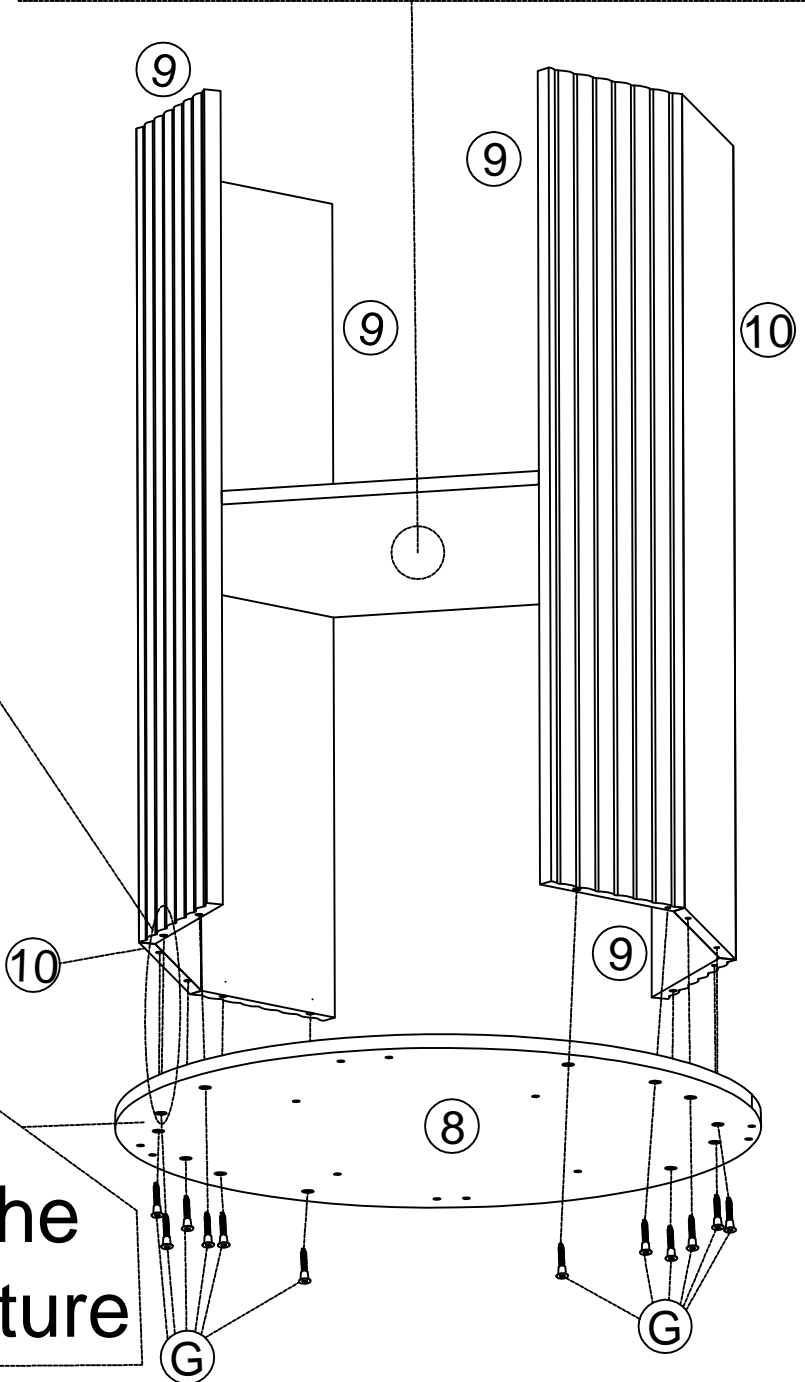
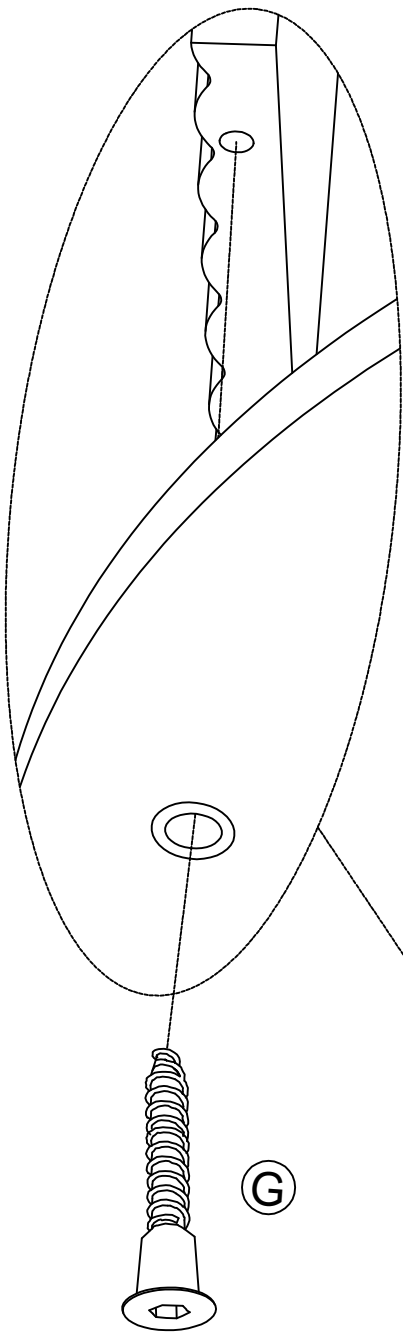
10



F		6pcs
E		6pcs

11

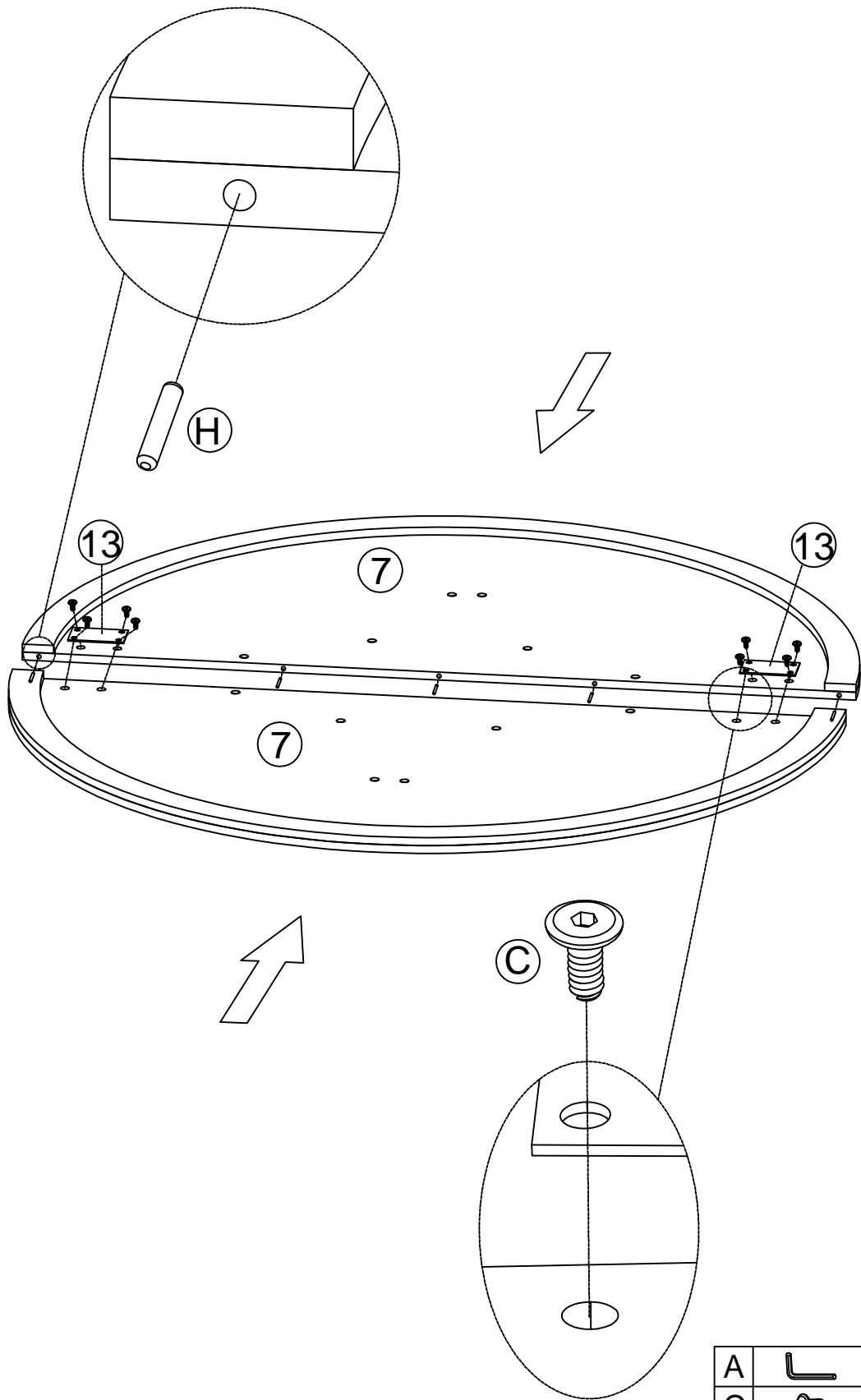
Warm Tips:
There are no
holes on this side



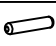


Warm Tips:
Install as on the
magnified picture

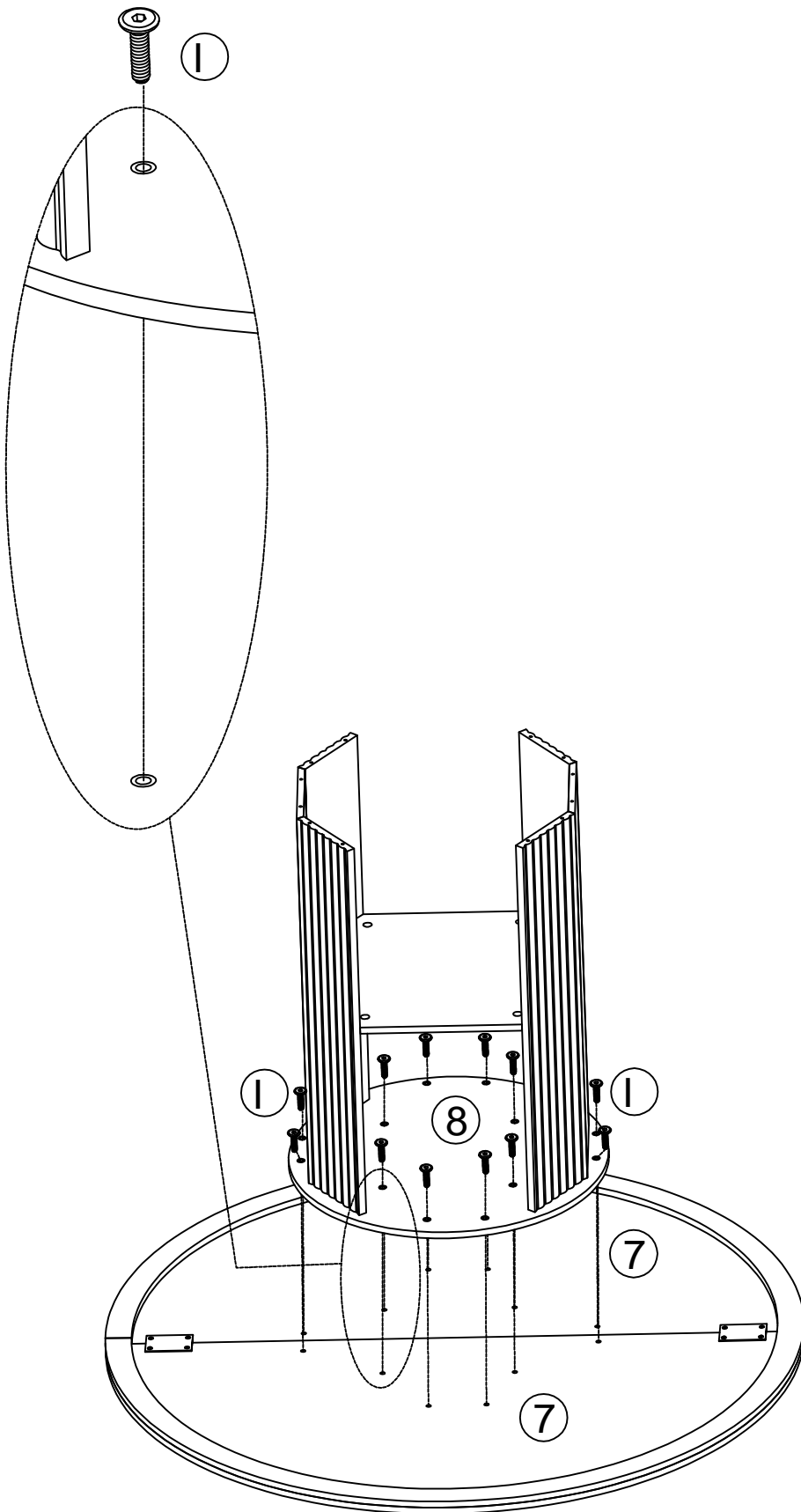
A		1pcs
G		12pcs


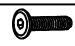
12



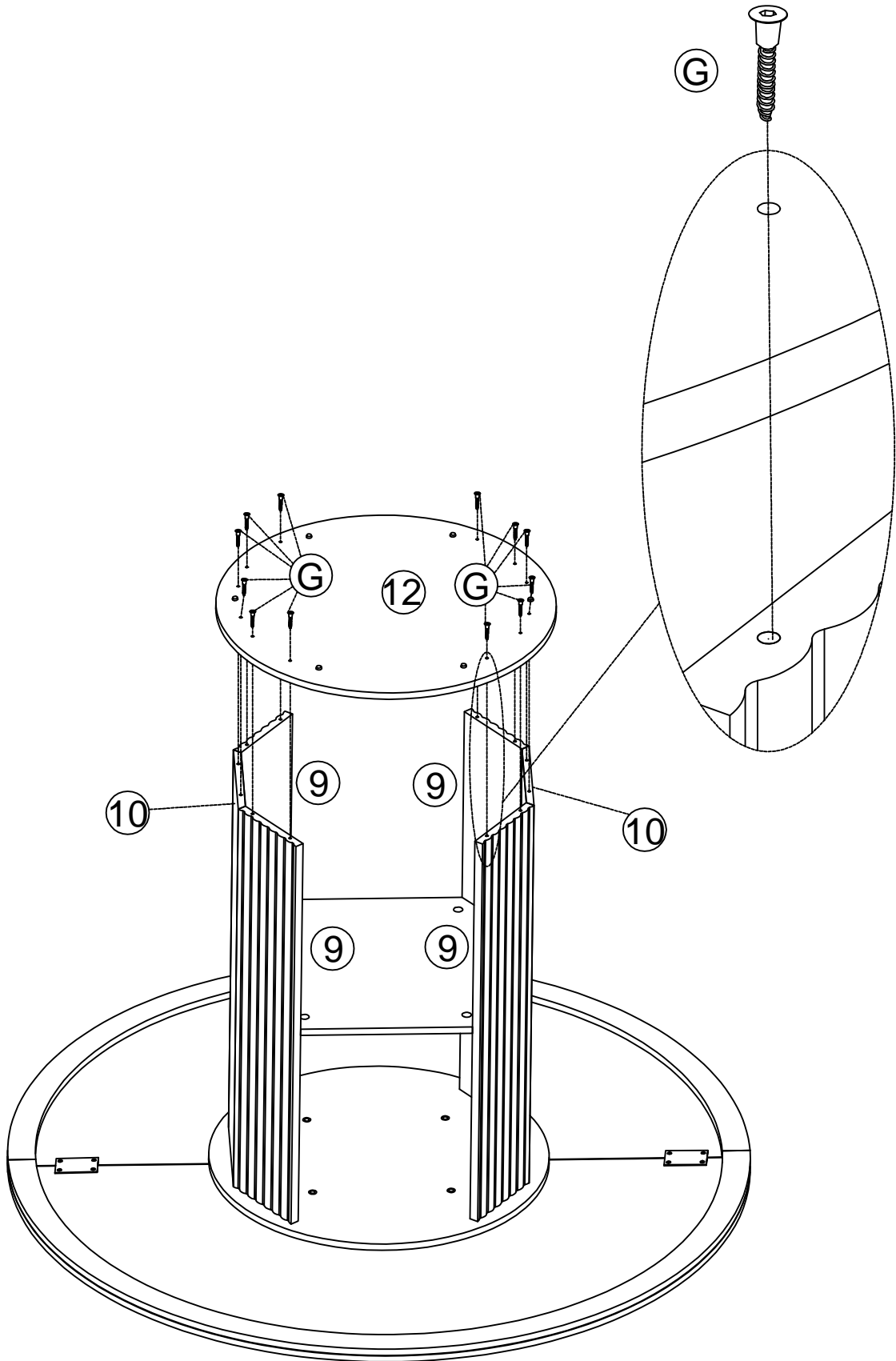
A		1pcs
C		8pcs
H		5pcs



13



A		1pcs
I		12pcs

14



A		1pcs
G		12pcs