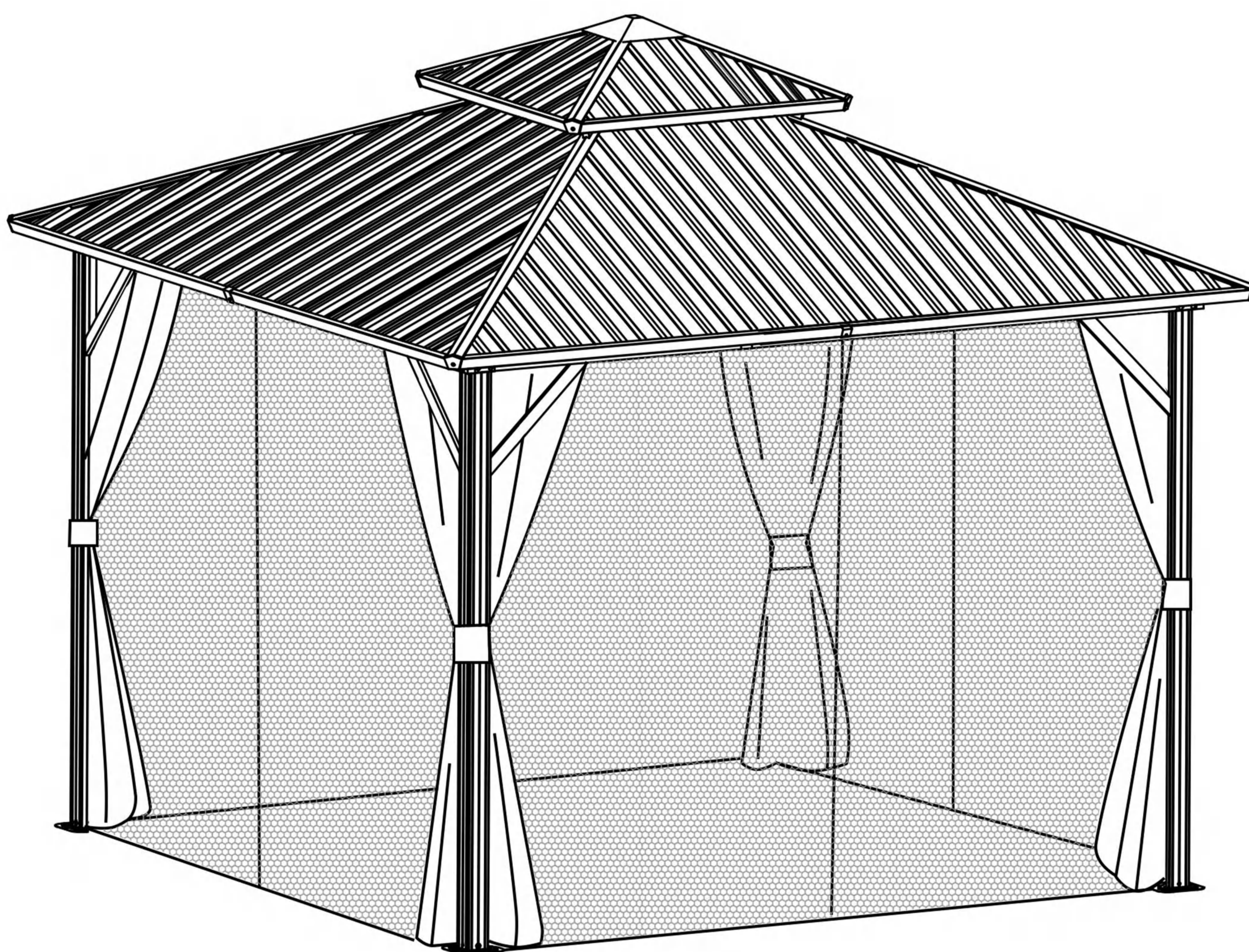


Metal Roof  
Aluminum Gazebo

12X12FT

SKU: A001G038-1  
A001G038-2  
A001G038-3  
A001G038-4

# ASSEMBLY INSTRUCTIONS



Please check the number of parts in the following accessory catalogue when unpacking. We have sent you more small parts for spare. If there is any missing or any questions about the installation. Please feel free to contact us. We will reply within 24 hours.



E-mail: [cs.helper01@gmail.com](mailto:cs.helper01@gmail.com)

## TOOLS RECOMMENDED

\*NOTE: The recommended tools are not included in boxes and need to be prepared by yourself.



DRILL



RUBBER Mallet



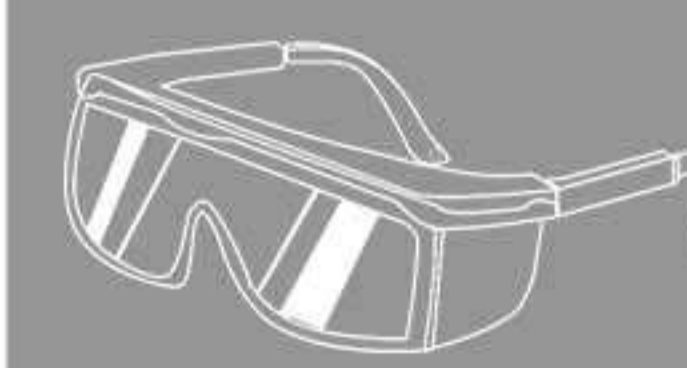
STEPLADDER  
(6.5Ft Or More)



SAFETY HAT



GLOVES



SAFETY GOGGLES

## ATTENTIONS



Since it is easy to lose many small accessories during the installation, please collect all the screw accessories before the assembly is completed



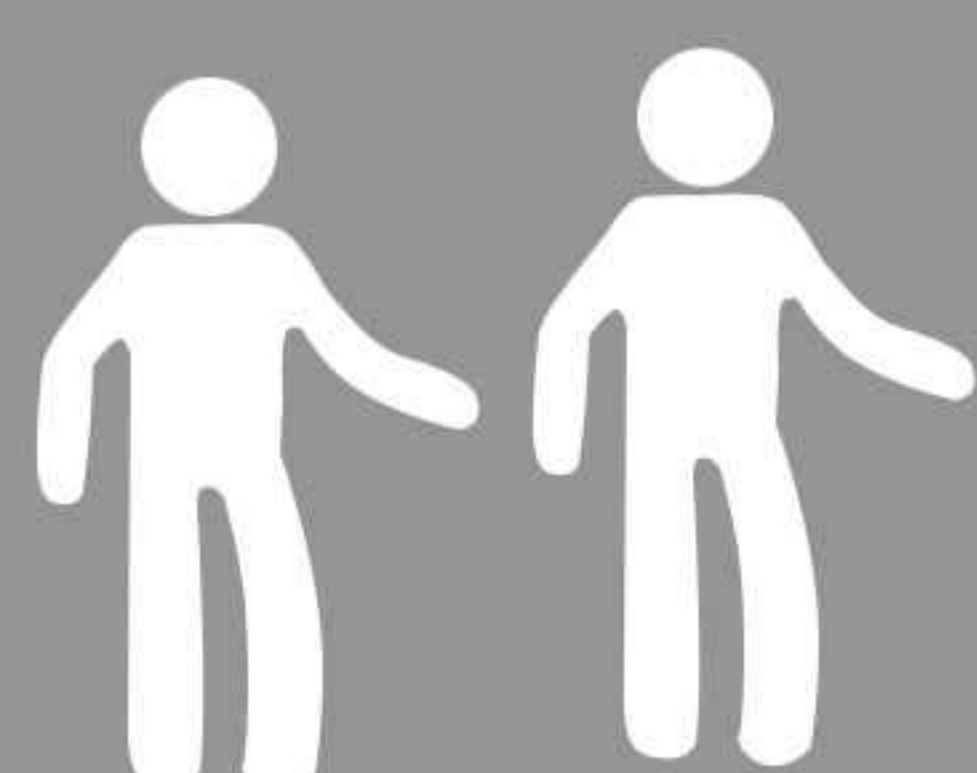
To better align the screws for practical situations, do not fully tighten screws initially



Please reinforced the Gazebo and do not use in heavy winds or inclement weather



Make sure all screws are tightened before use and check all screws, buckles and straps every 90 days



Two or more people are required for assembly



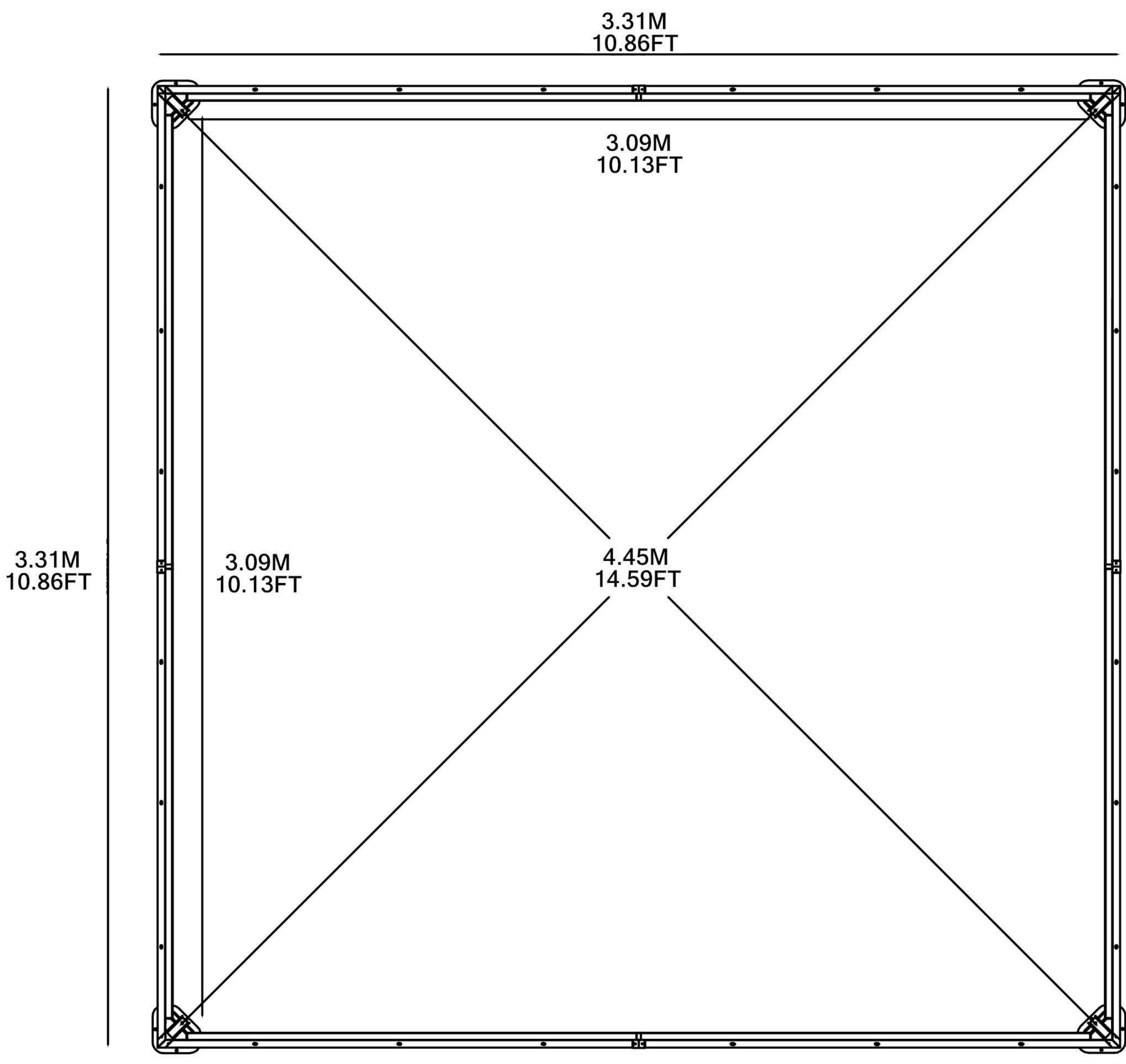
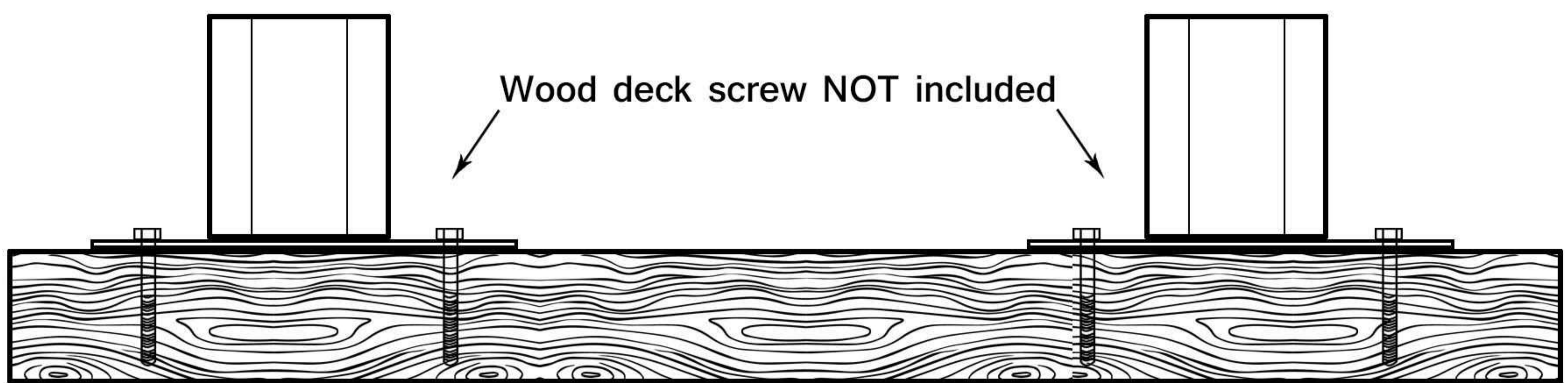
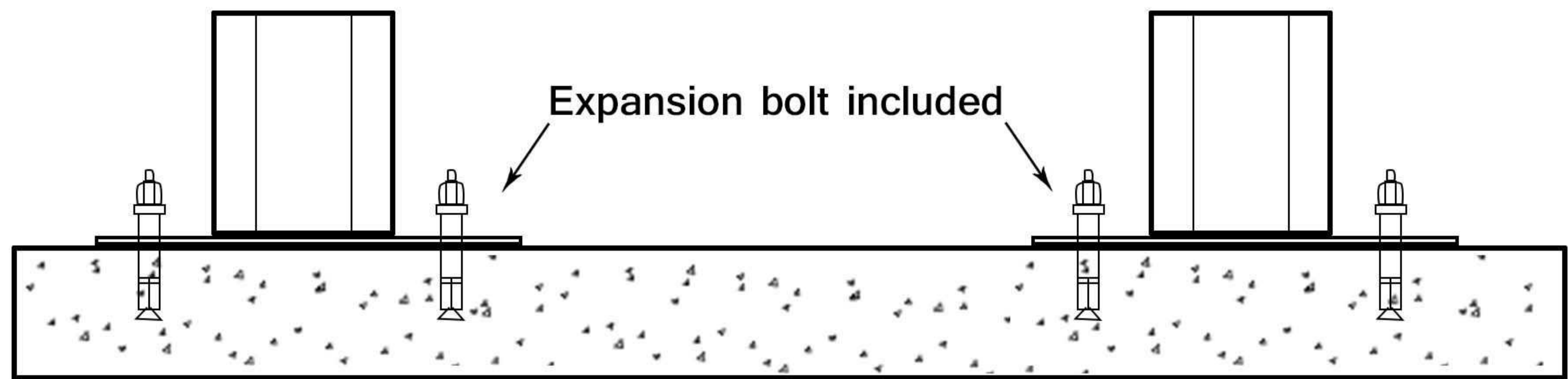
Please clear the snow off the roof in time for the heavy snowfall and do not use it

Please take care of the screws and contact the after-sales service if there is any problem with the installation or parts.



# Permanent Installation Examples

Our supporting expansion screws can only be used for cement floors, customers need to bring their own special screws if they are used for wood floors



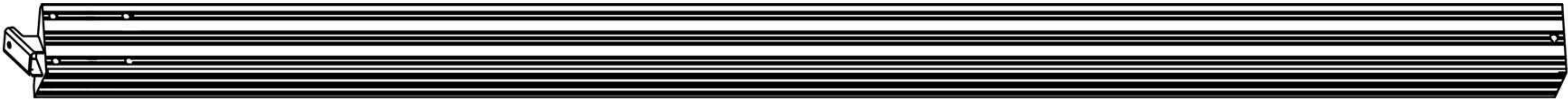
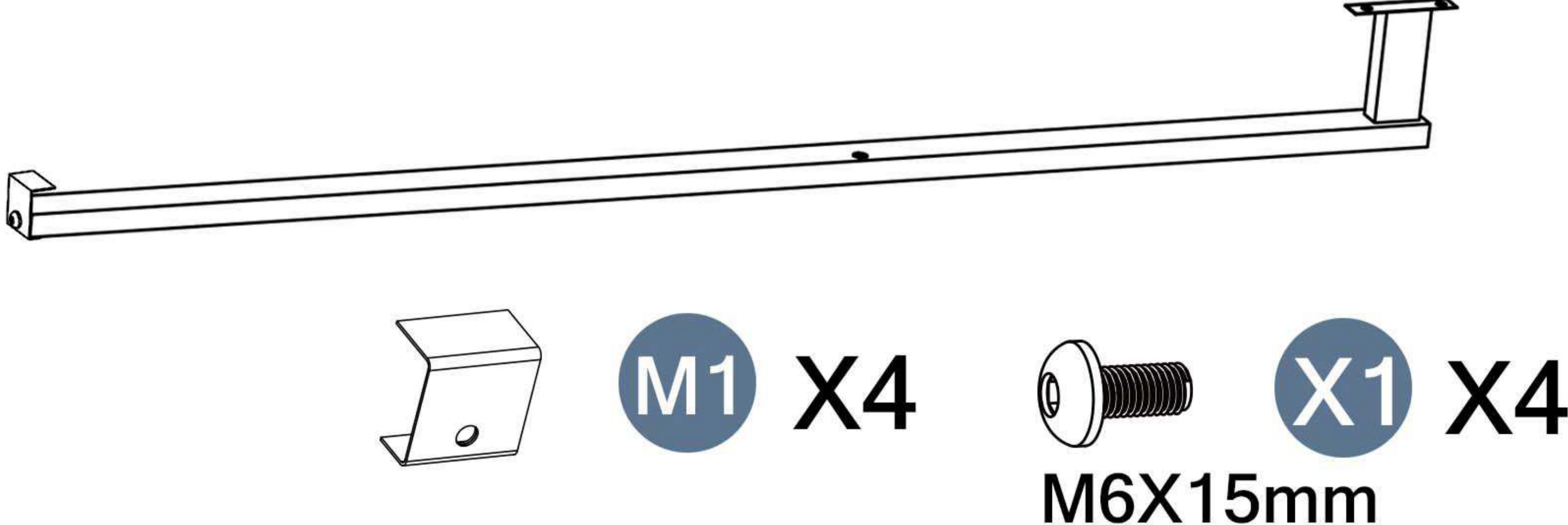
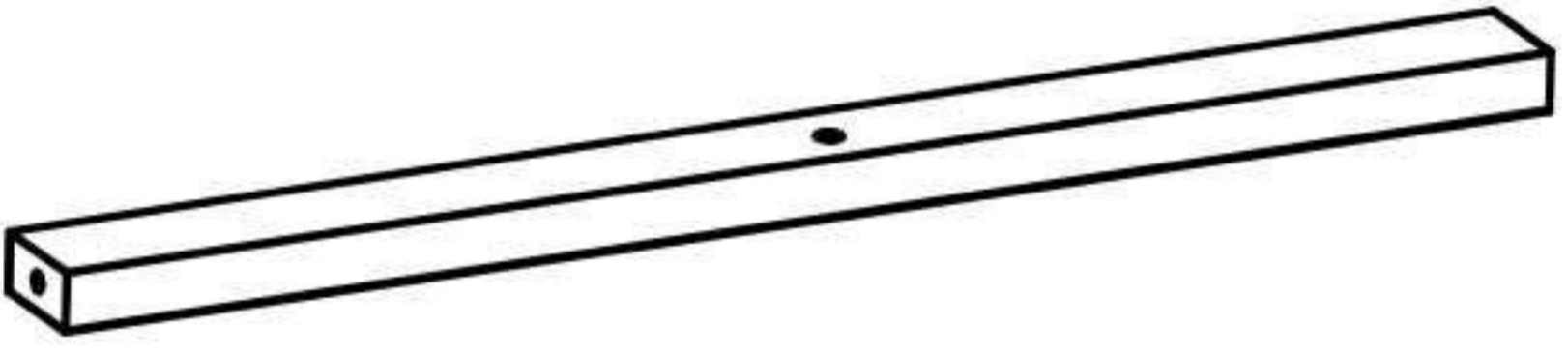

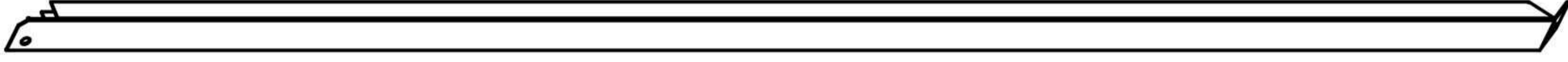

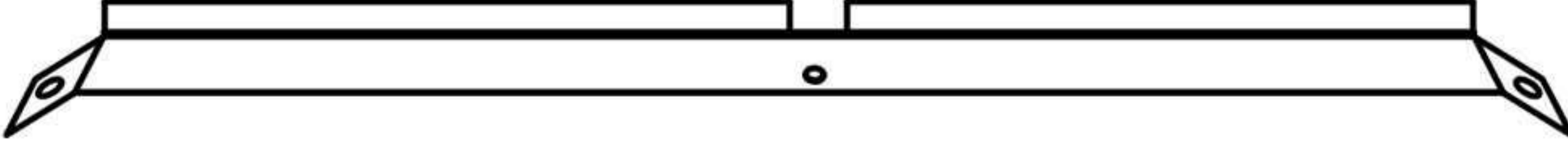
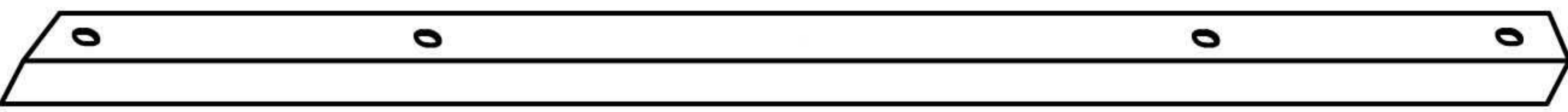
Please take care of the screws and contact the after-sales service if there is any problem with the installation or parts.

➔ ✉ E-mail: [cs.helper01@gmail.com](mailto:cs.helper01@gmail.com)

# ACCESSORY CATALOGUE

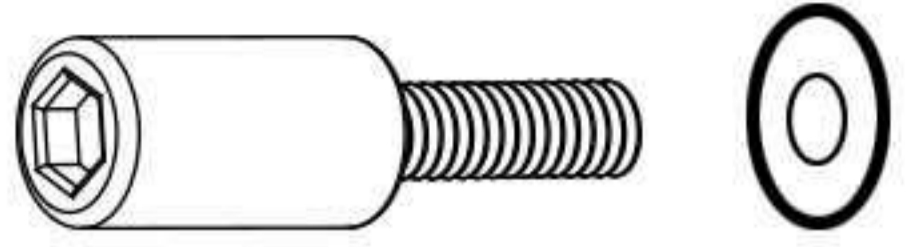
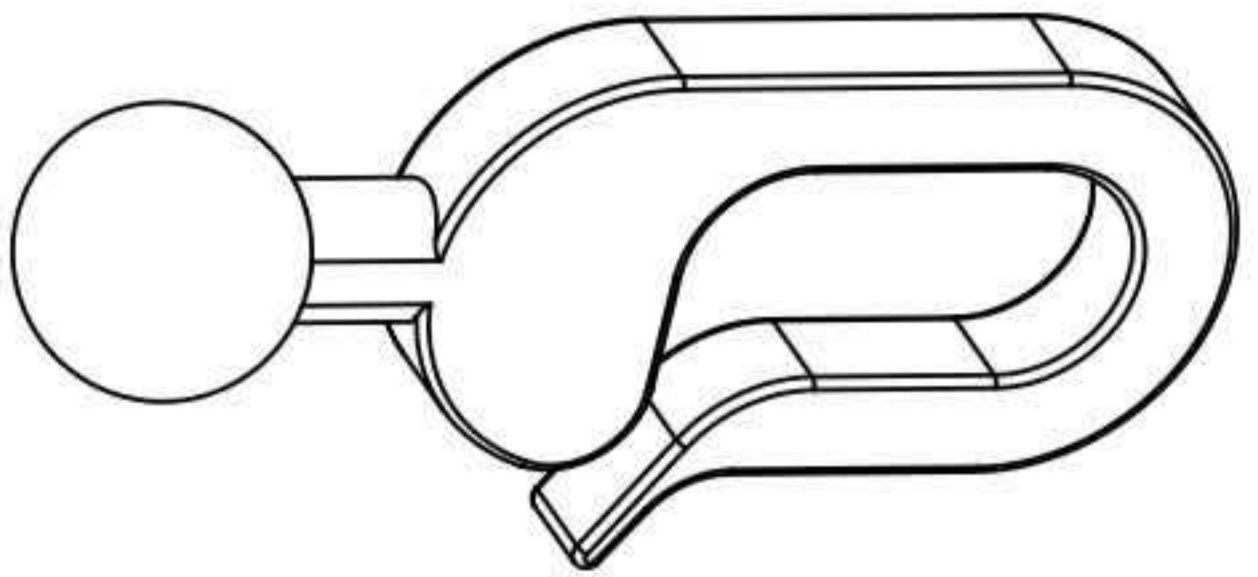
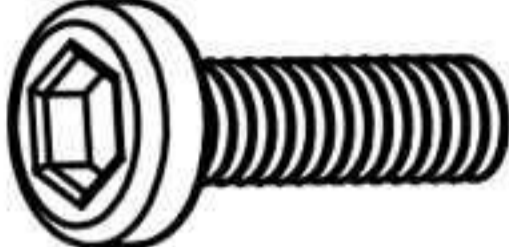
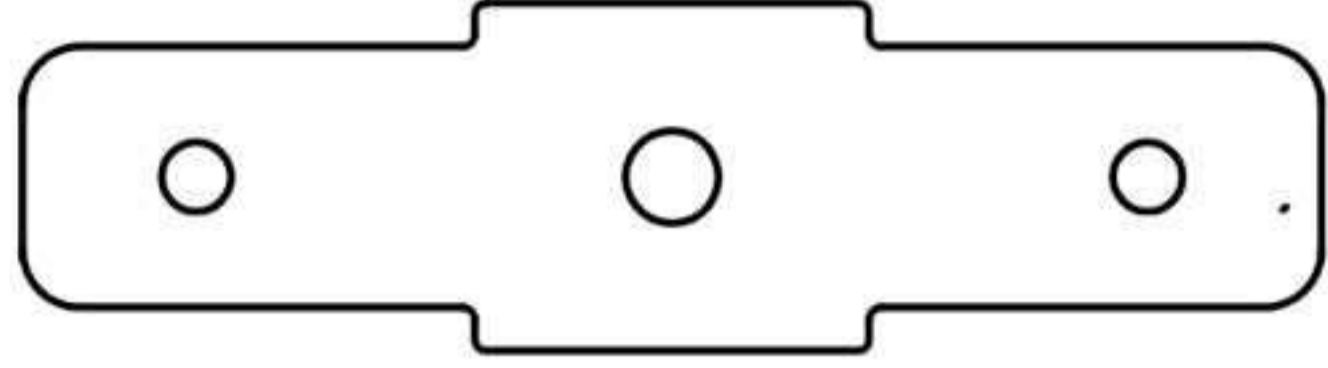

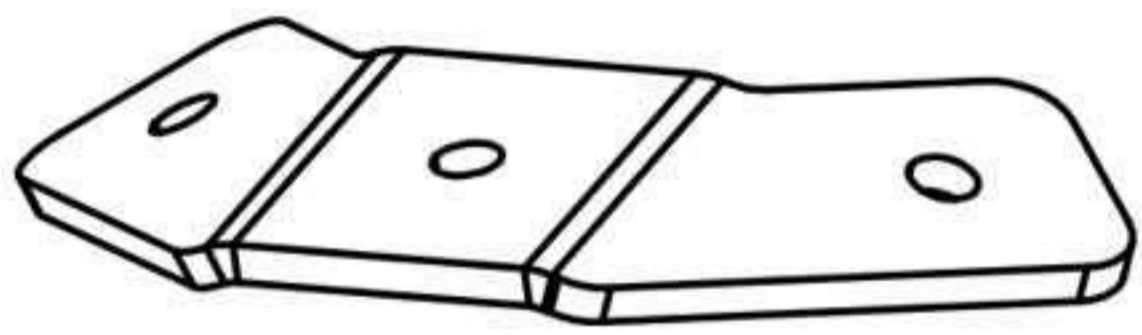
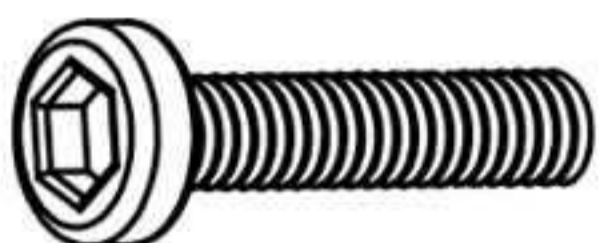
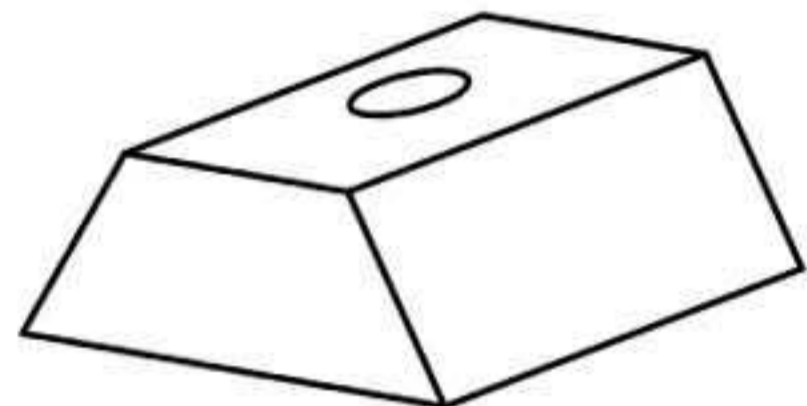
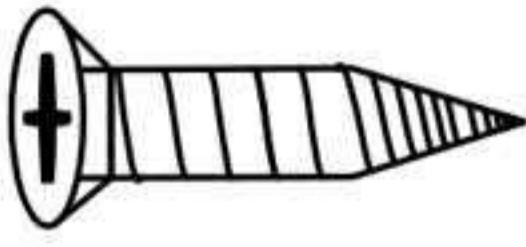
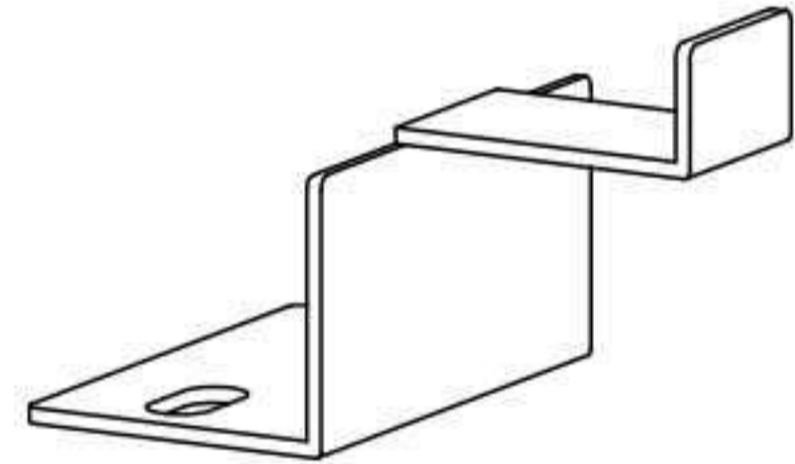
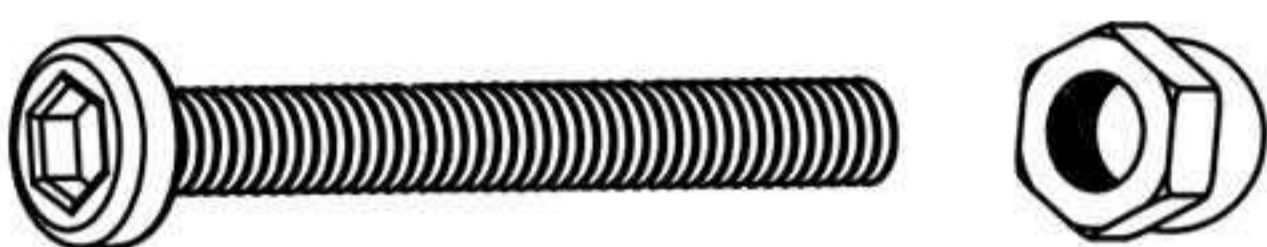
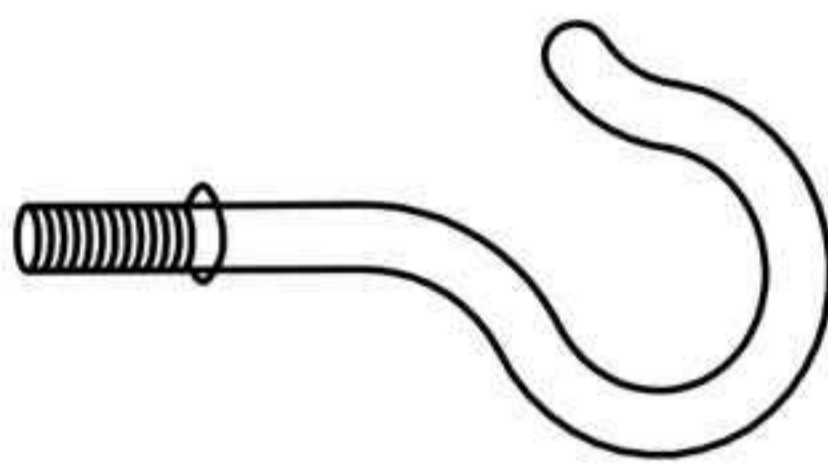
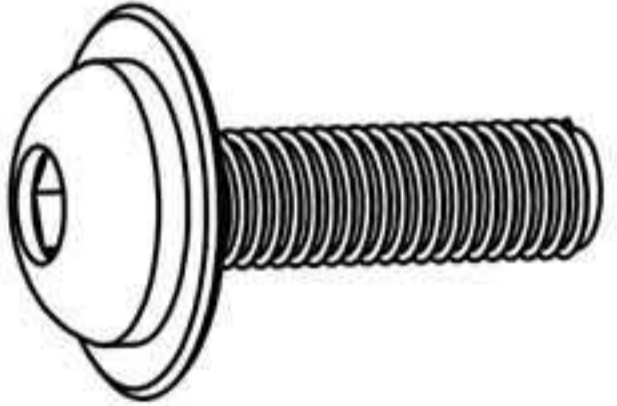

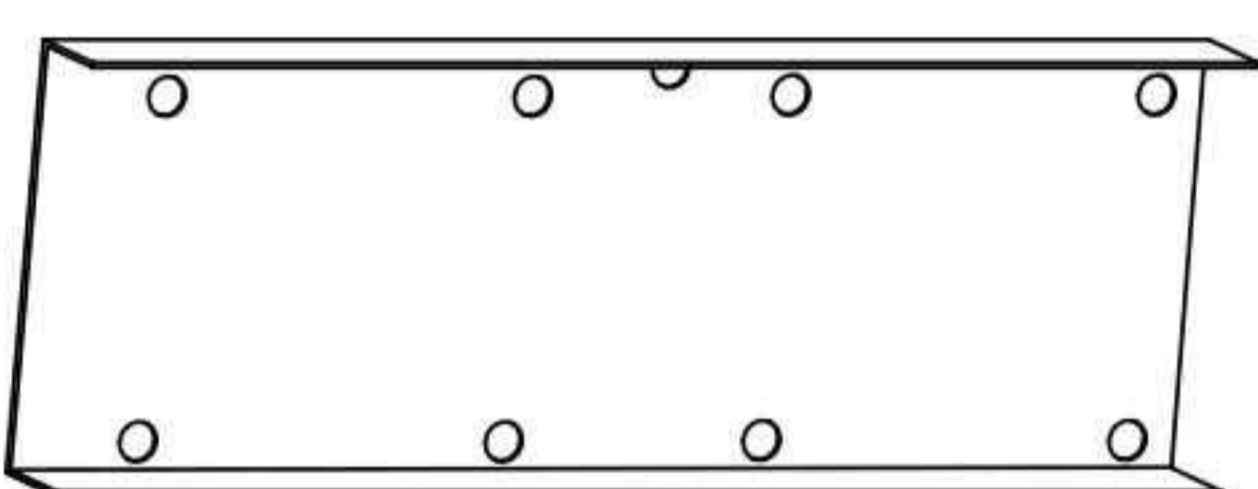
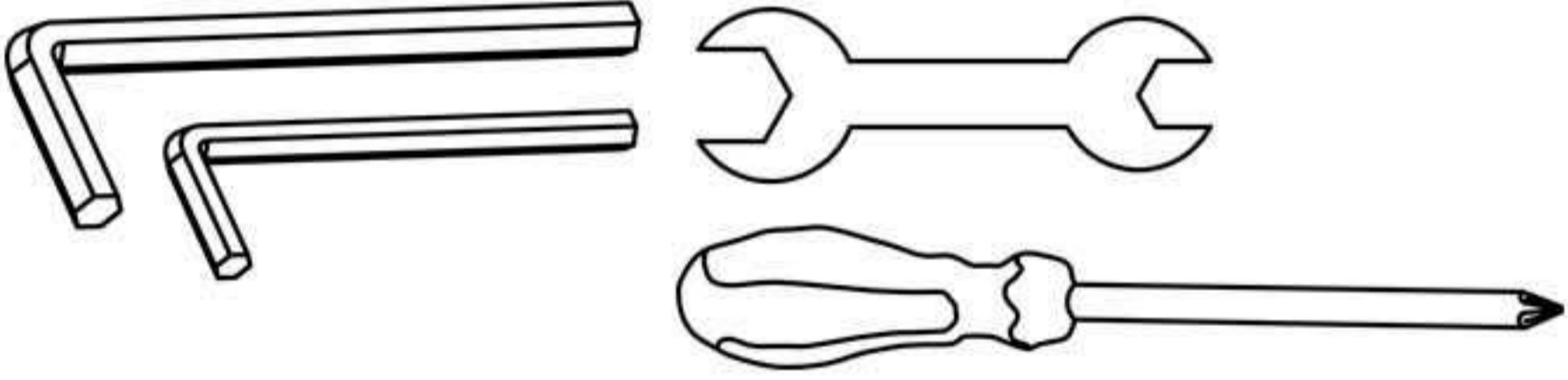
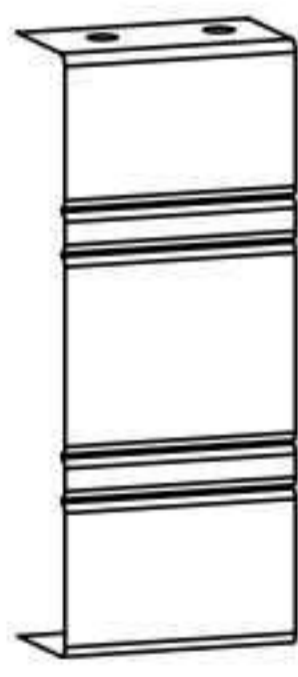
## BOX 1

SKU: A001G038-1

Item no.	Reference Image	Qty.
A		4
D		4
D1		4
G1		4
G2		4
G5		4
G8		4
I		8

Please take care of the screws and contact the after-sales service if there is any problem with the installation or parts.

# ACCESSORY CATALOGUE

Item no.	Reference Image	Qty.	Item no.	Reference Image	Qty.
<b>X</b>	 M6X10mm	<b>32</b>	<b>Q</b>		<b>80</b>
<b>X1</b>	 M6X15mm	<b>120</b>	<b>M3</b>		<b>4</b>
<b>X2</b>	 M6X20mm	<b>24</b>	<b>M4</b>		<b>4</b>
<b>X3</b>	 M6X20mm	<b>4</b>	<b>M5</b>		<b>52</b>
<b>X4</b>	 M5X10mm	<b>64</b>	<b>M6</b>		<b>4</b>
<b>X5</b>	 M6X42mm	<b>28</b>	<b>M7</b>		<b>1</b>
<b>X6</b>	 M6X30mm	<b>4</b>	<b>2</b>		<b>8</b>
<b>P</b>		<b>4</b>	<b>1</b>		<b>1</b>
<b>J2</b>		<b>4</b>			

Please take care of the screws and contact the after-sales service if there is any problem with the installation or parts.

➔ ✉ E-mail: [cs.helper01@gmail.com](mailto:cs.helper01@gmail.com)

# ACCESSORY CATALOGUE

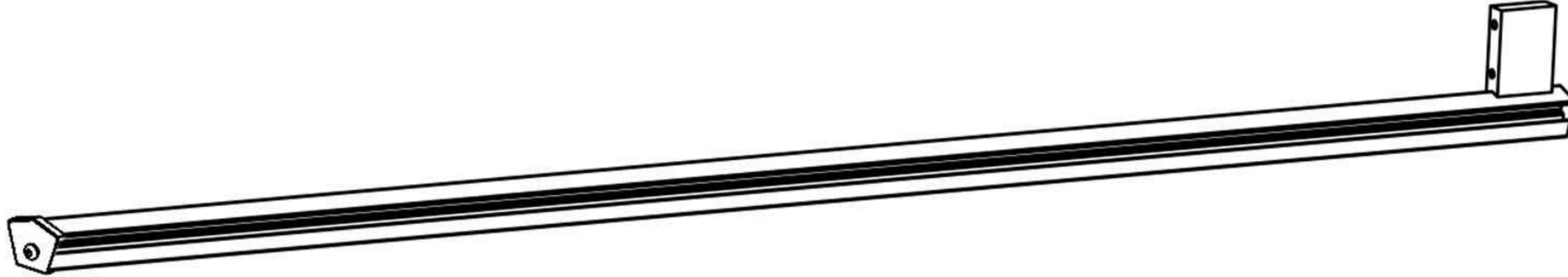



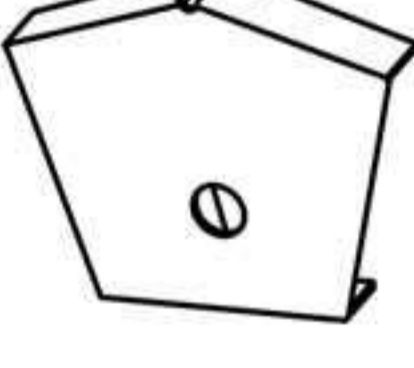

## BOX 2

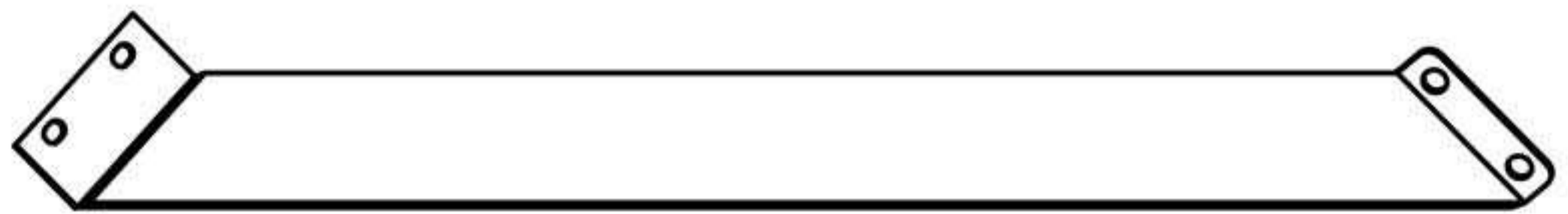
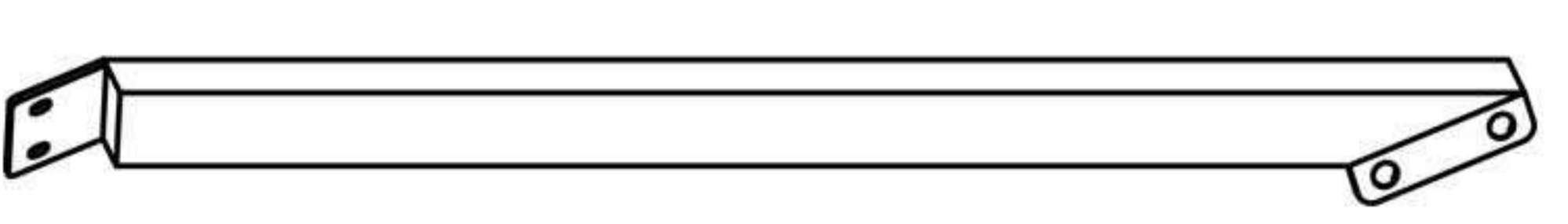
SKU: A001G038-2

Item no.	Reference Image	Qty.	Item no.	Reference Image	Qty.
<b>C</b>		4	<b>C1</b>		4

## BOX 3

SKU: A001G038-3

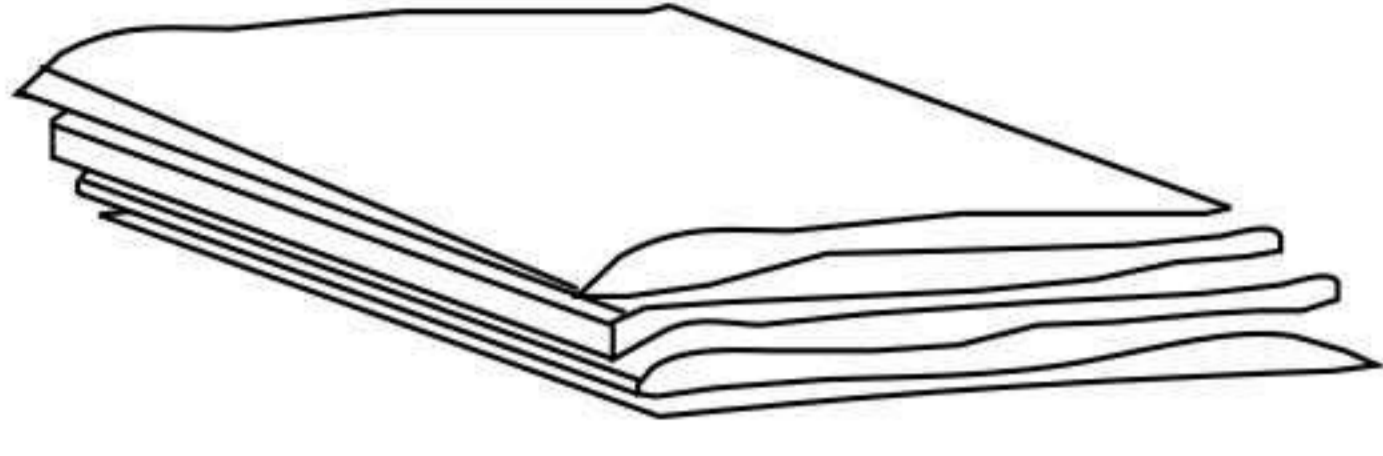
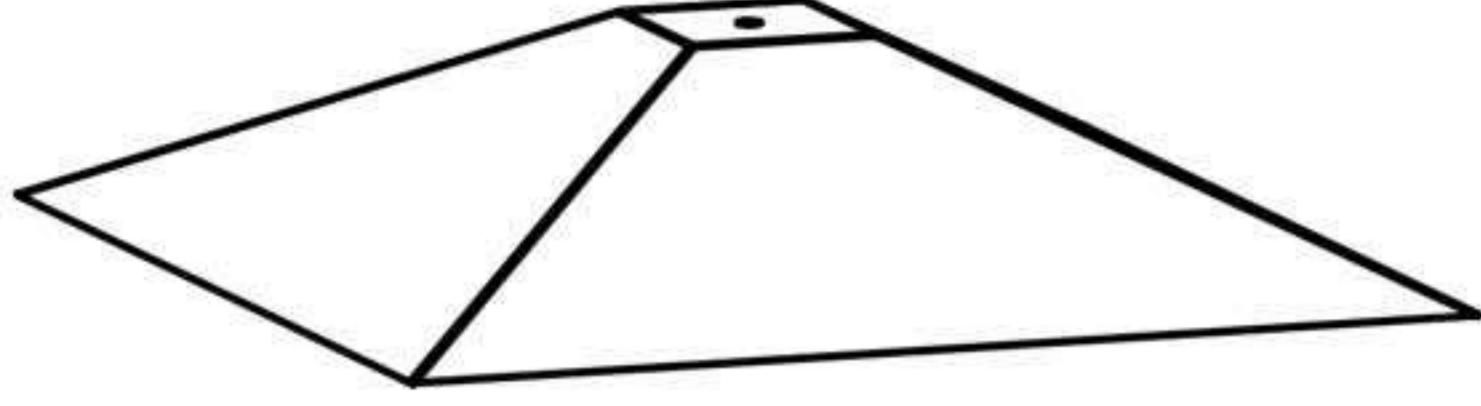
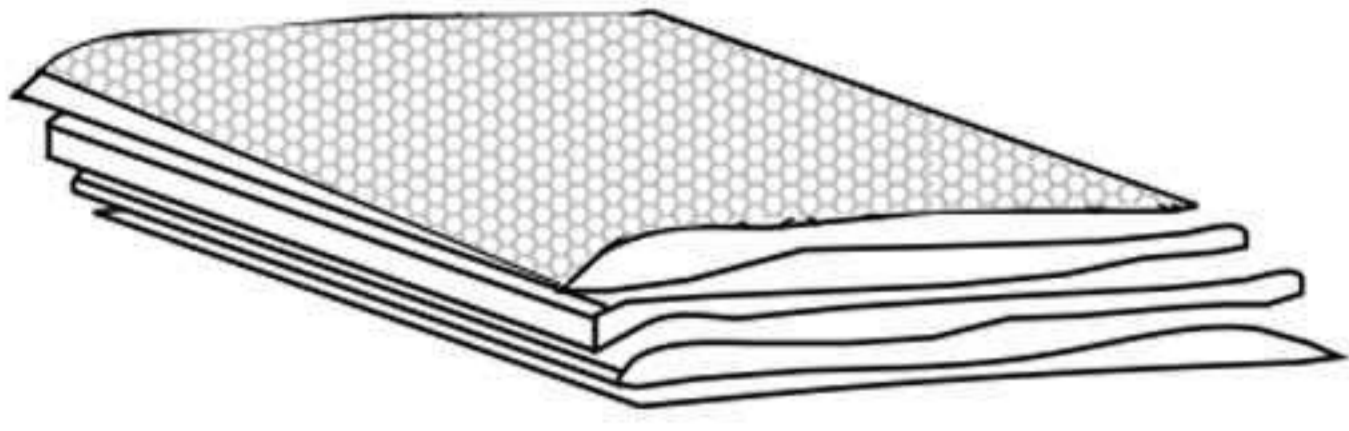
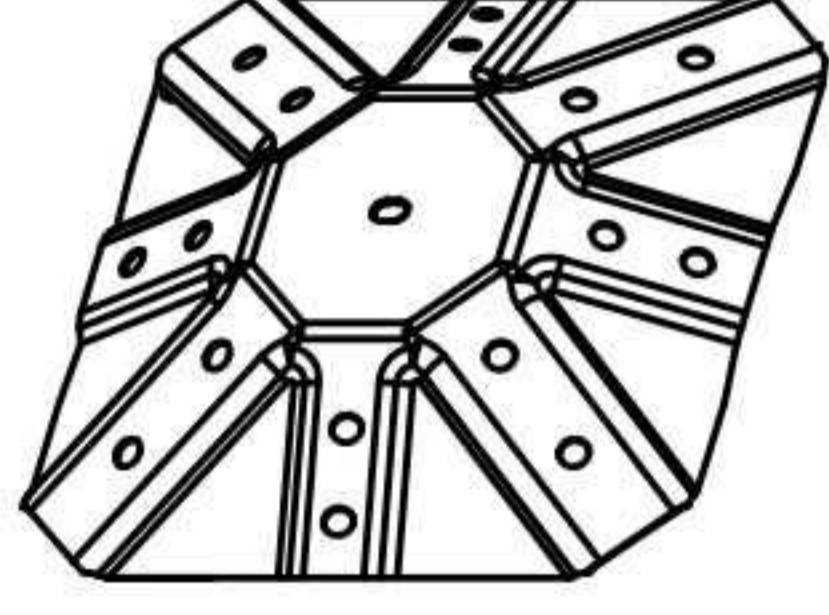
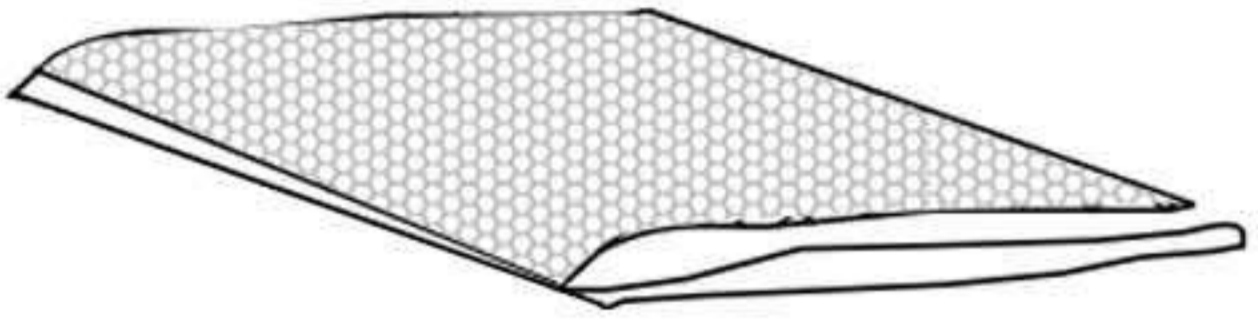
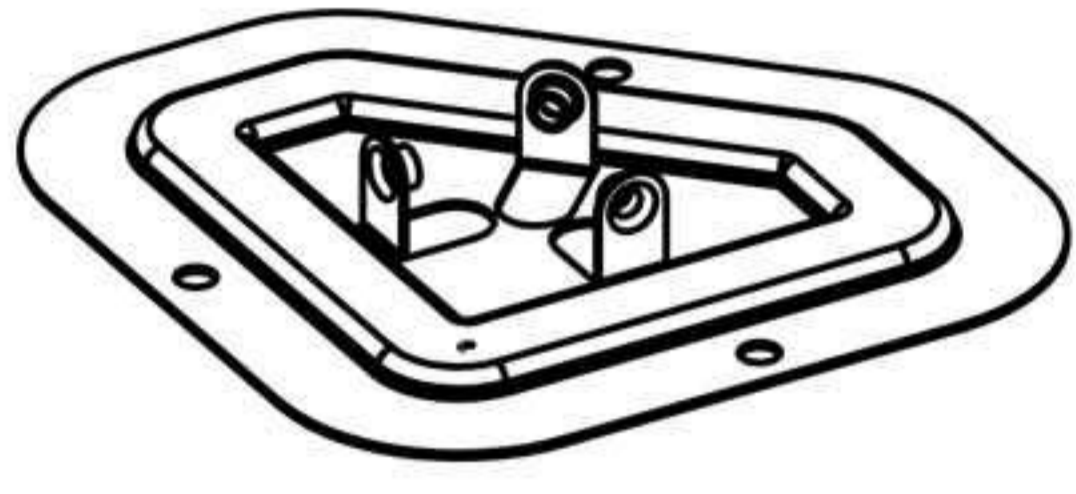

Item no.	Reference Image	Qty.
<b>E</b>	  <b>M2 X4</b>  <b>X1 X4</b> M6X15mm	4
<b>E1</b>	  <b>M2 X4</b>  <b>X1 X4</b> M6X15mm	4

Item no.	Reference Image	Qty.	Item no.	Reference Image	Qty.
<b>F</b>		4	<b>F1</b>		4

Please take care of the screws and contact the after-sales service if there is any problem with the installation or parts.

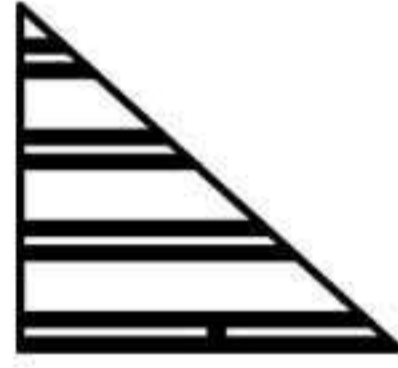
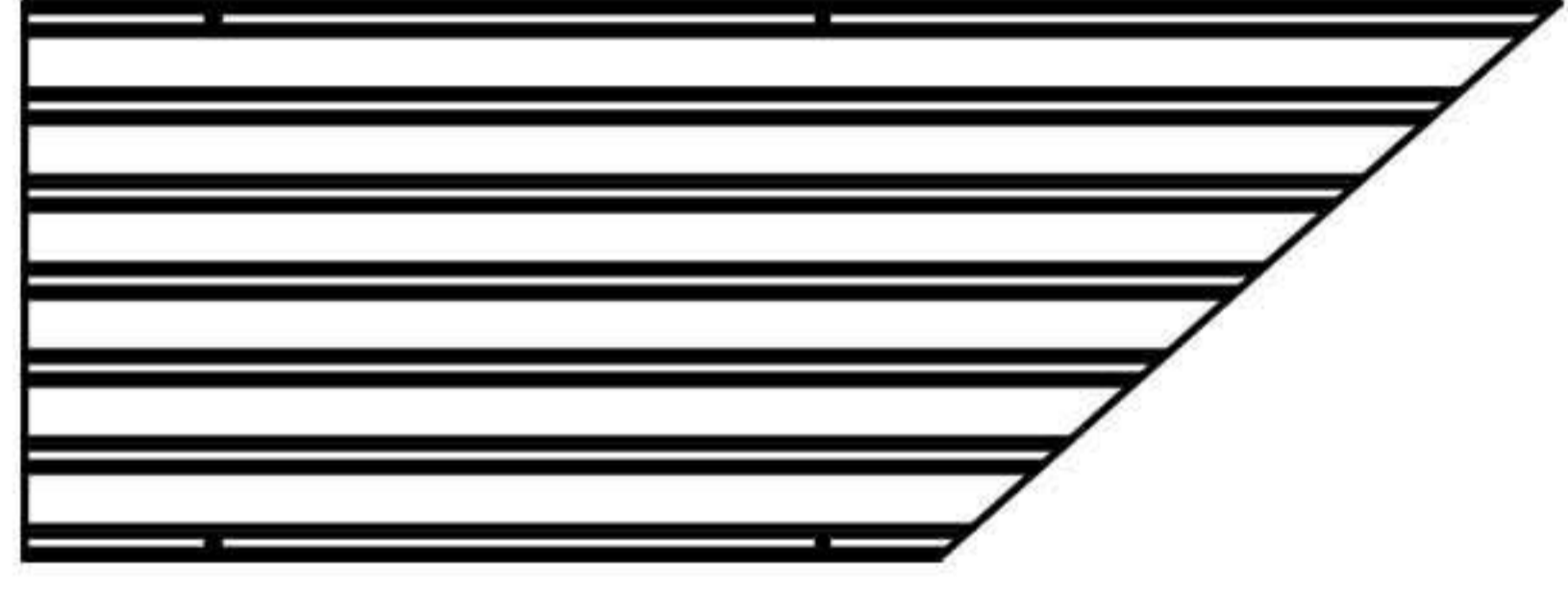
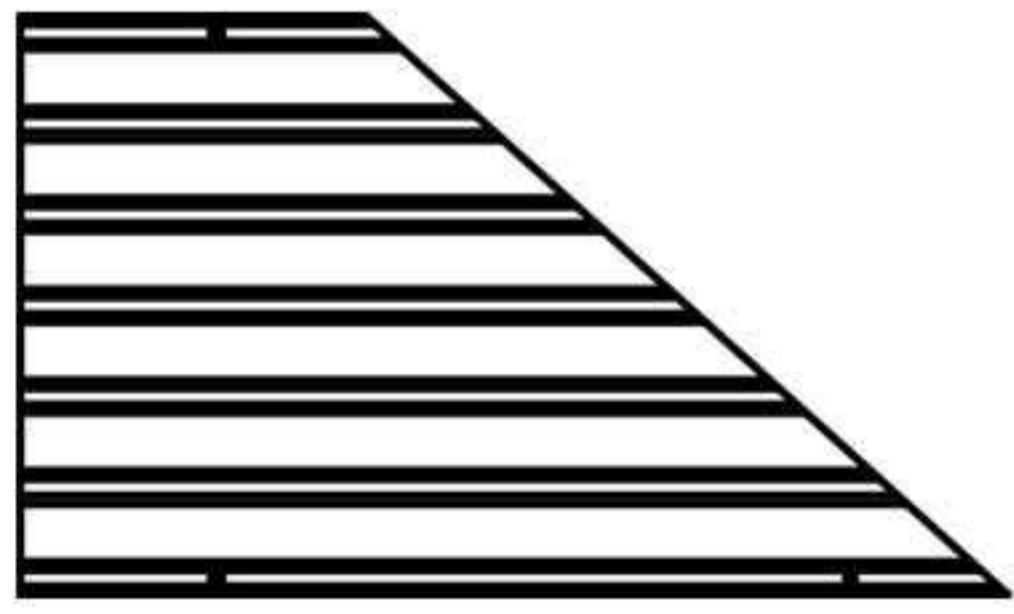
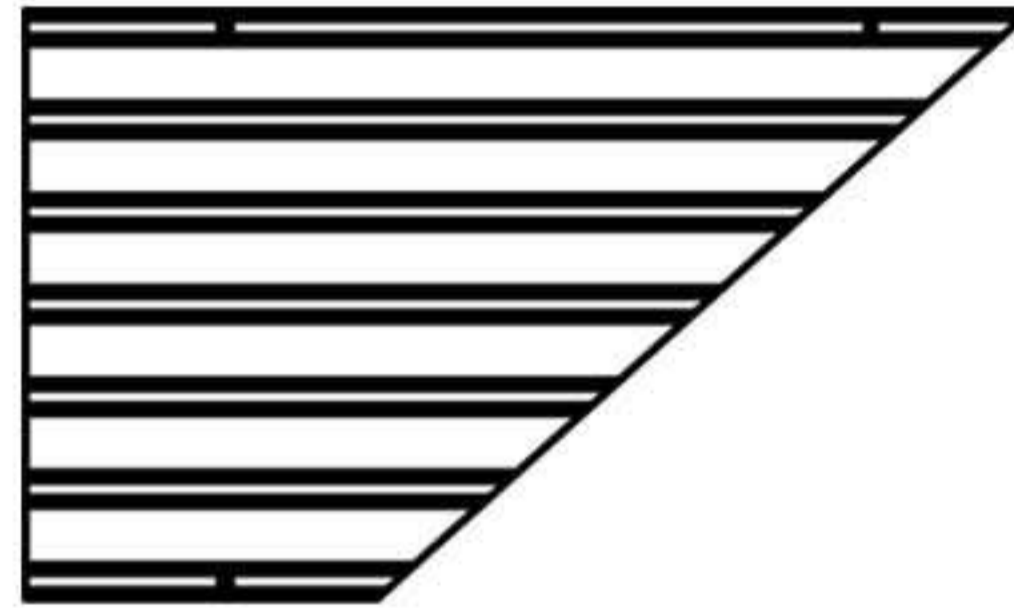
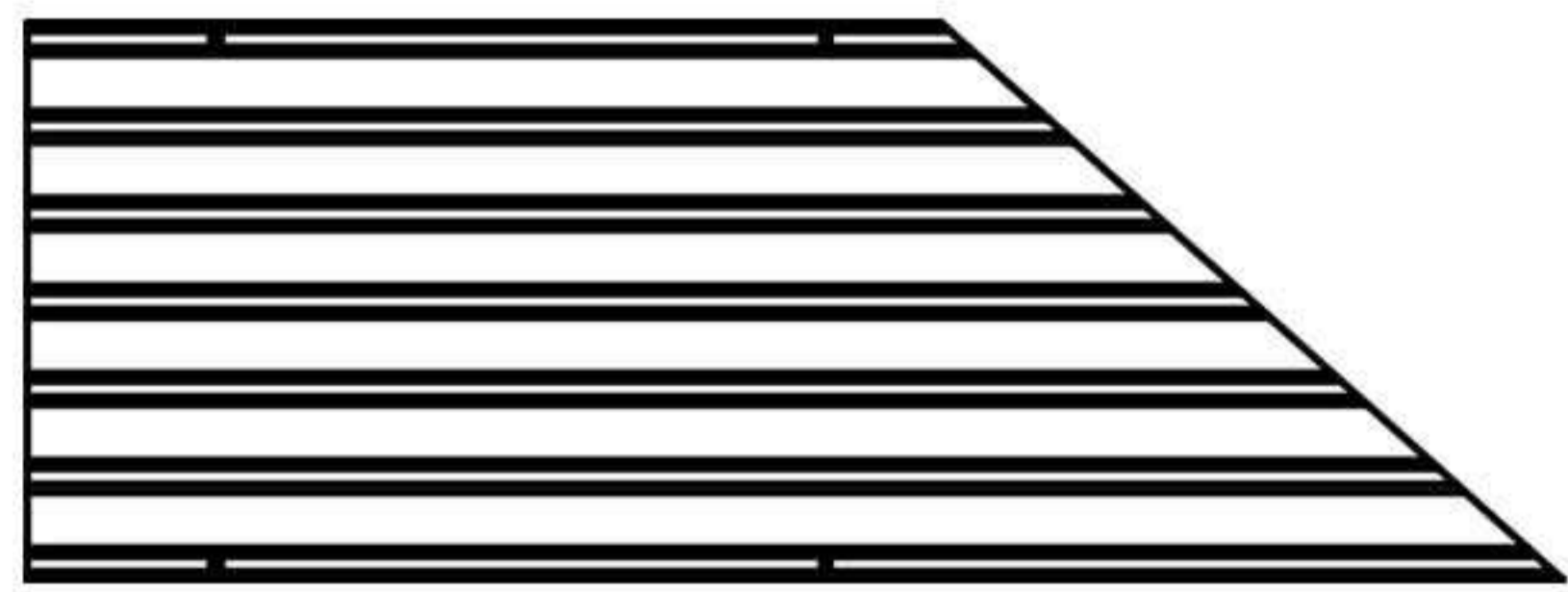

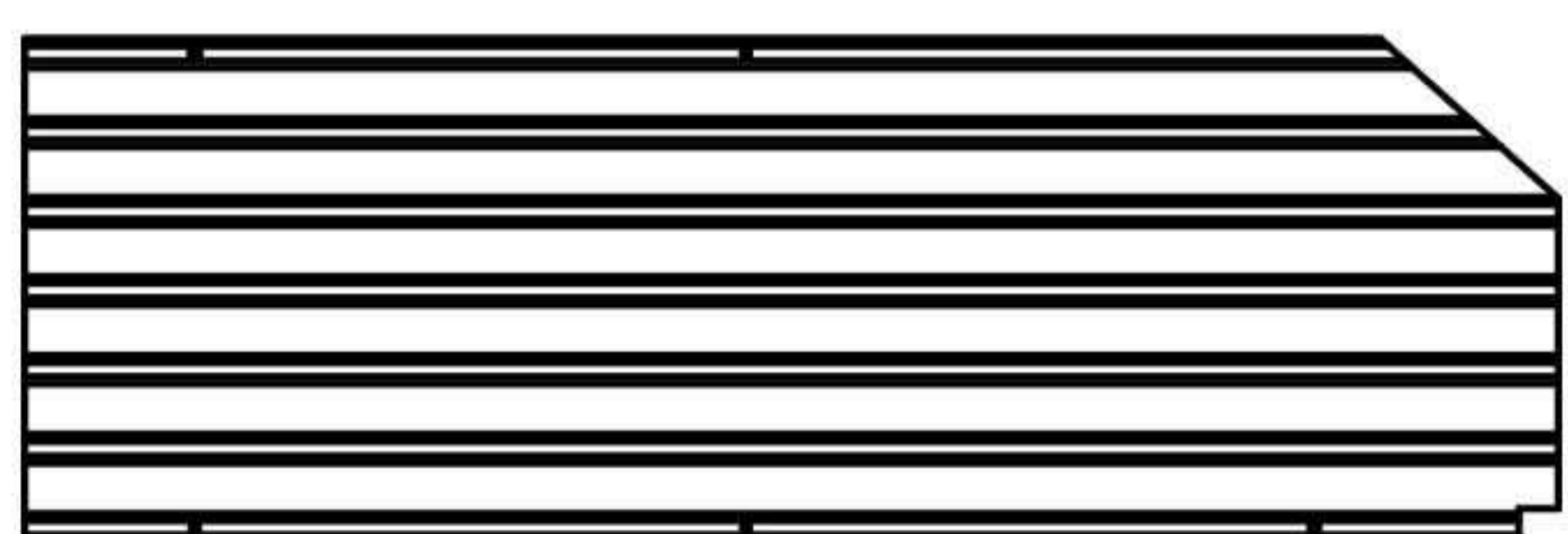
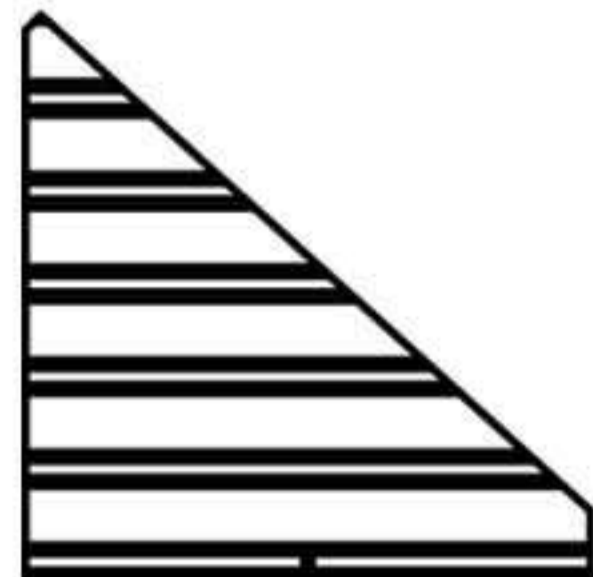
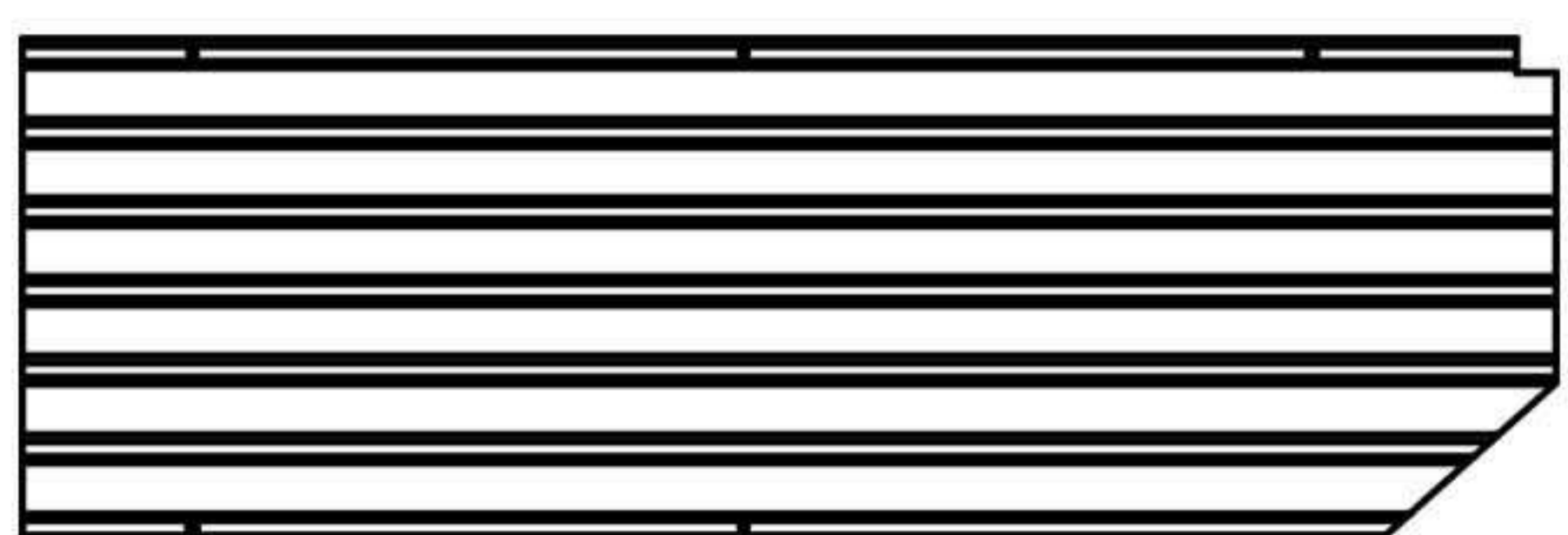
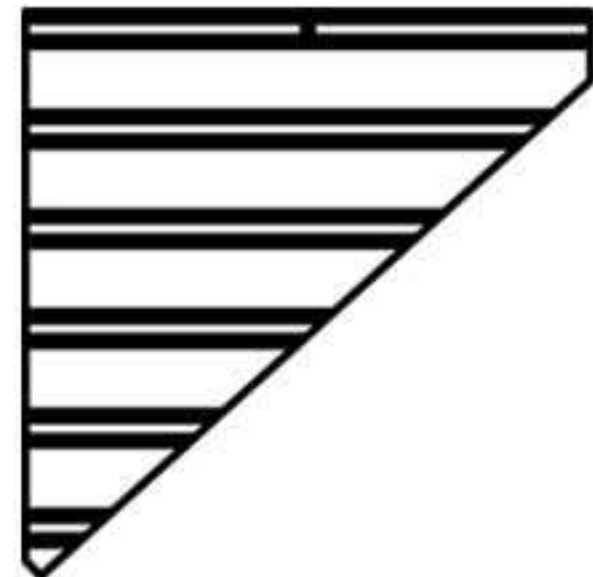


# ACCESSORY CATALOGUE

Item no.	Reference Image	Qty.	Item no.	Reference Image	Qty.
<b>Z</b>		1	<b>K</b>		1
<b>Z1</b>		1	<b>K1</b>		1
<b>Z2</b>		1	<b>L</b>		4
<b>J1</b>		4			

## BOX 4

SKU: A001G038-4

Item no.	Reference Image	Qty.	Item no.	Reference Image	Qty.
<b>O1</b>		4	<b>V3</b>		4
<b>O2</b>		4	<b>V2</b>		4
<b>O3</b>		4	<b>V1</b>		4
<b>O4</b>		4	<b>O5</b>		4
<b>V4</b>		4	<b>V5</b>		4

Please take care of the screws and contact the after-sales service if there is any problem with the installation or parts.

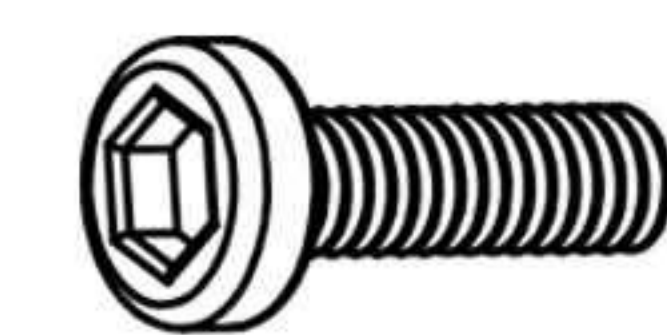
➔ ✉ E-mail: [cs.helper01@gmail.com](mailto:cs.helper01@gmail.com)

# STEP 1

Parts required



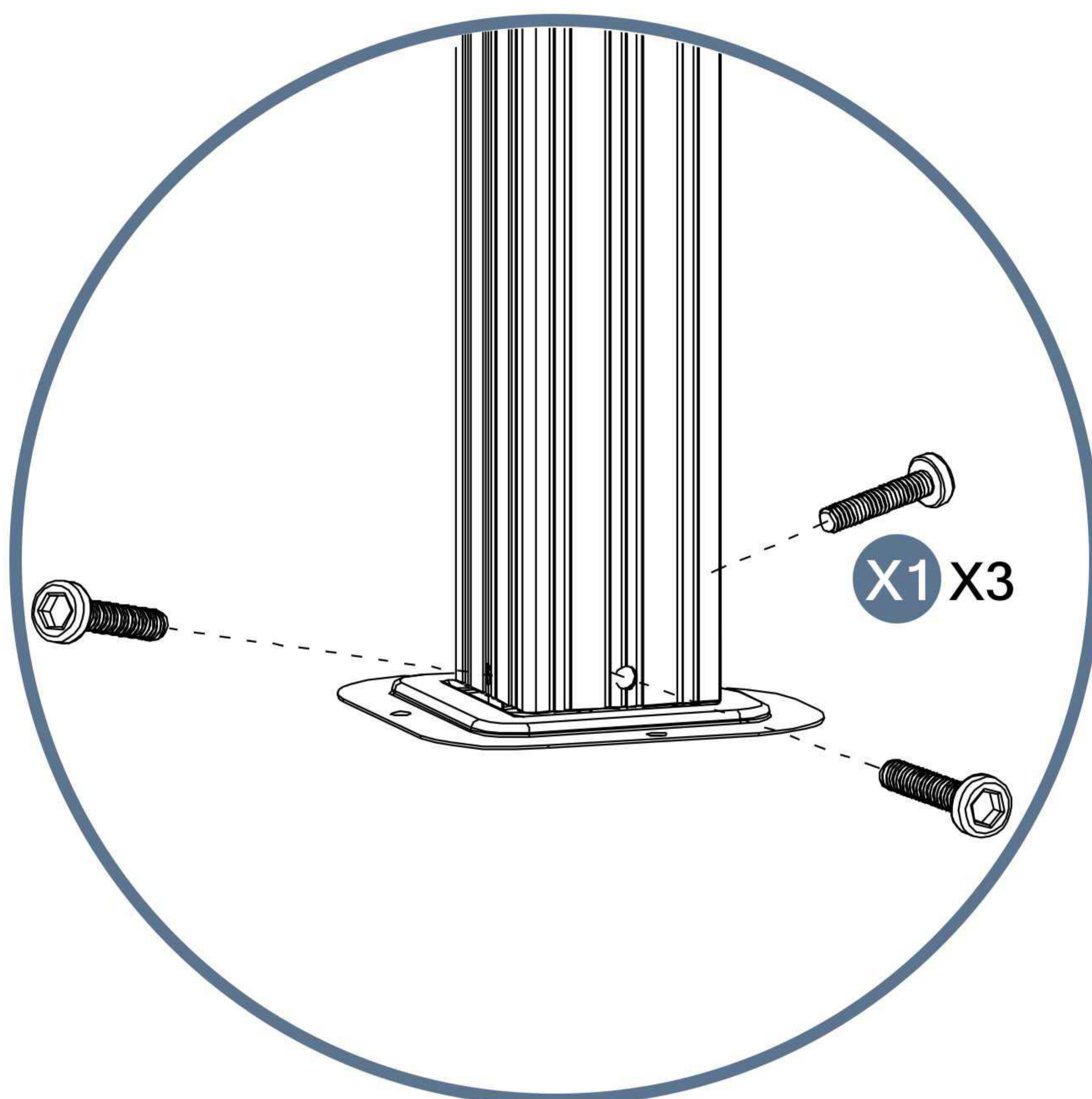
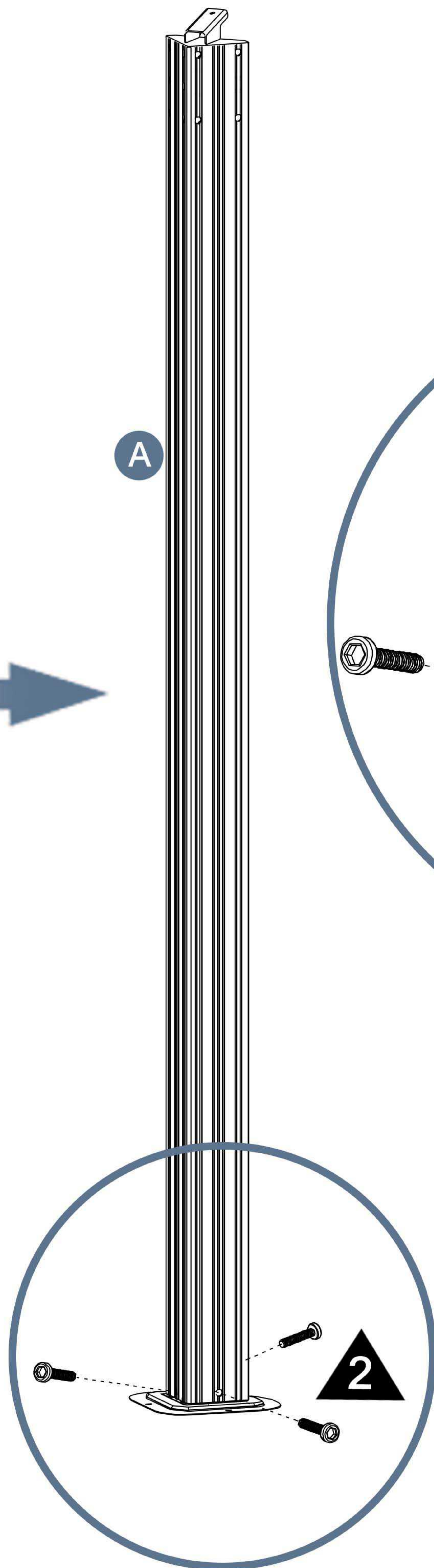
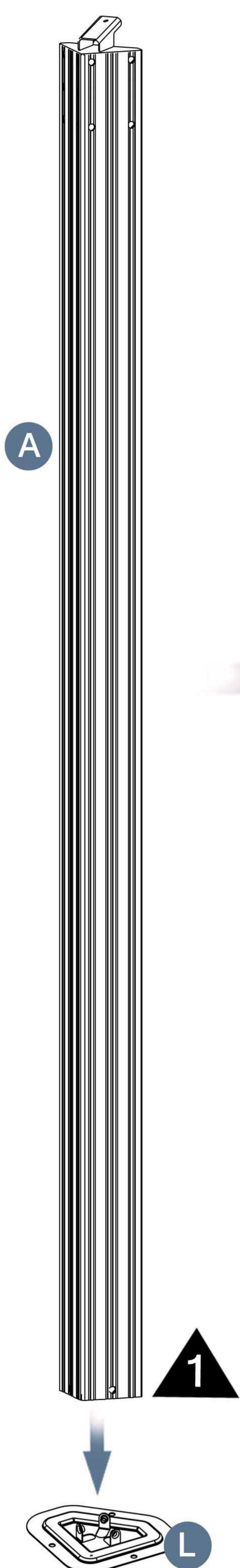
A 4pcs



X1 12pcs



L 4pcs



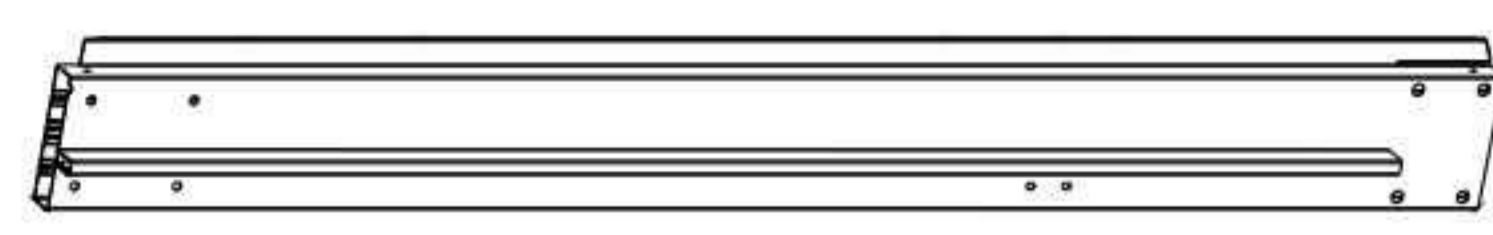
X4

Please take care of the screws and contact the after-sales service if there is any problem with the installation or parts.

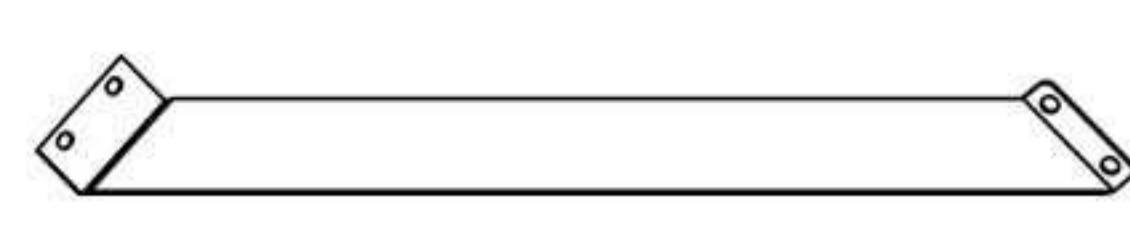


# STEP 2

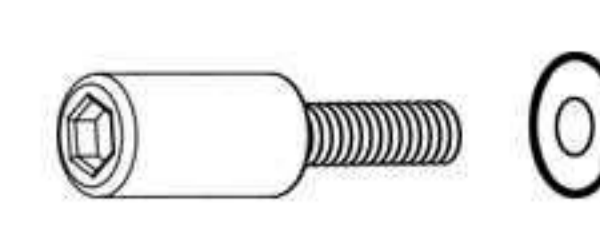
Parts required



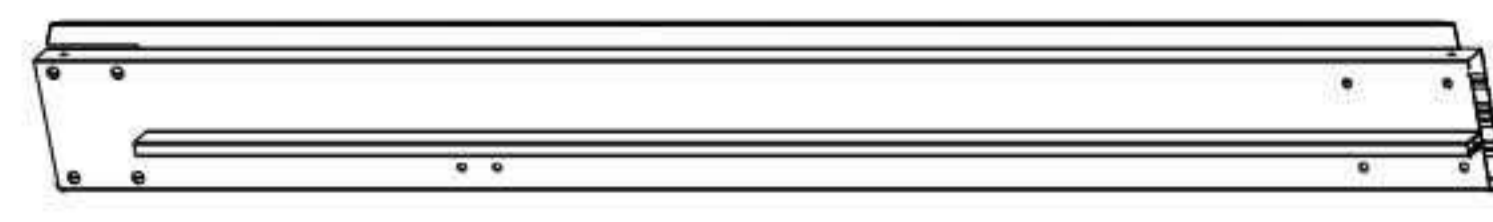
C 4pcs



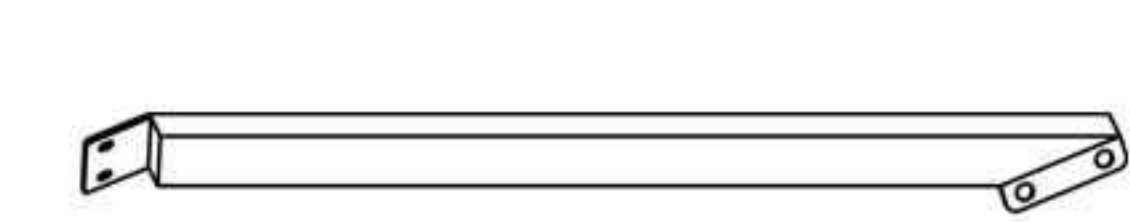
F 4pcs



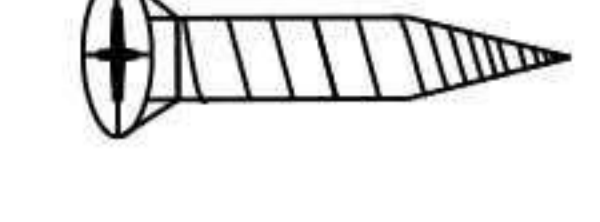
X 32pcs



C1 4pcs



F1 4pcs

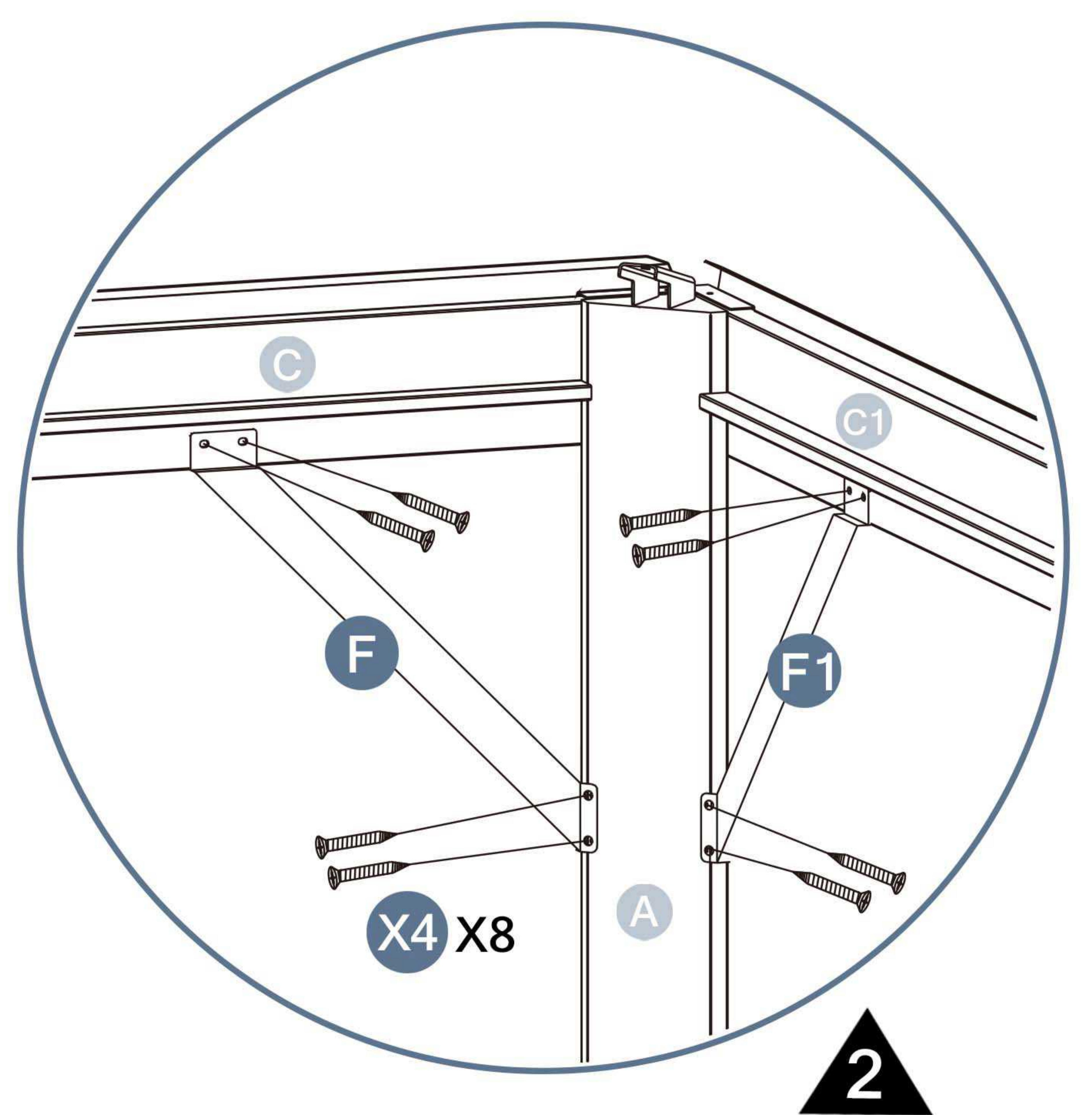
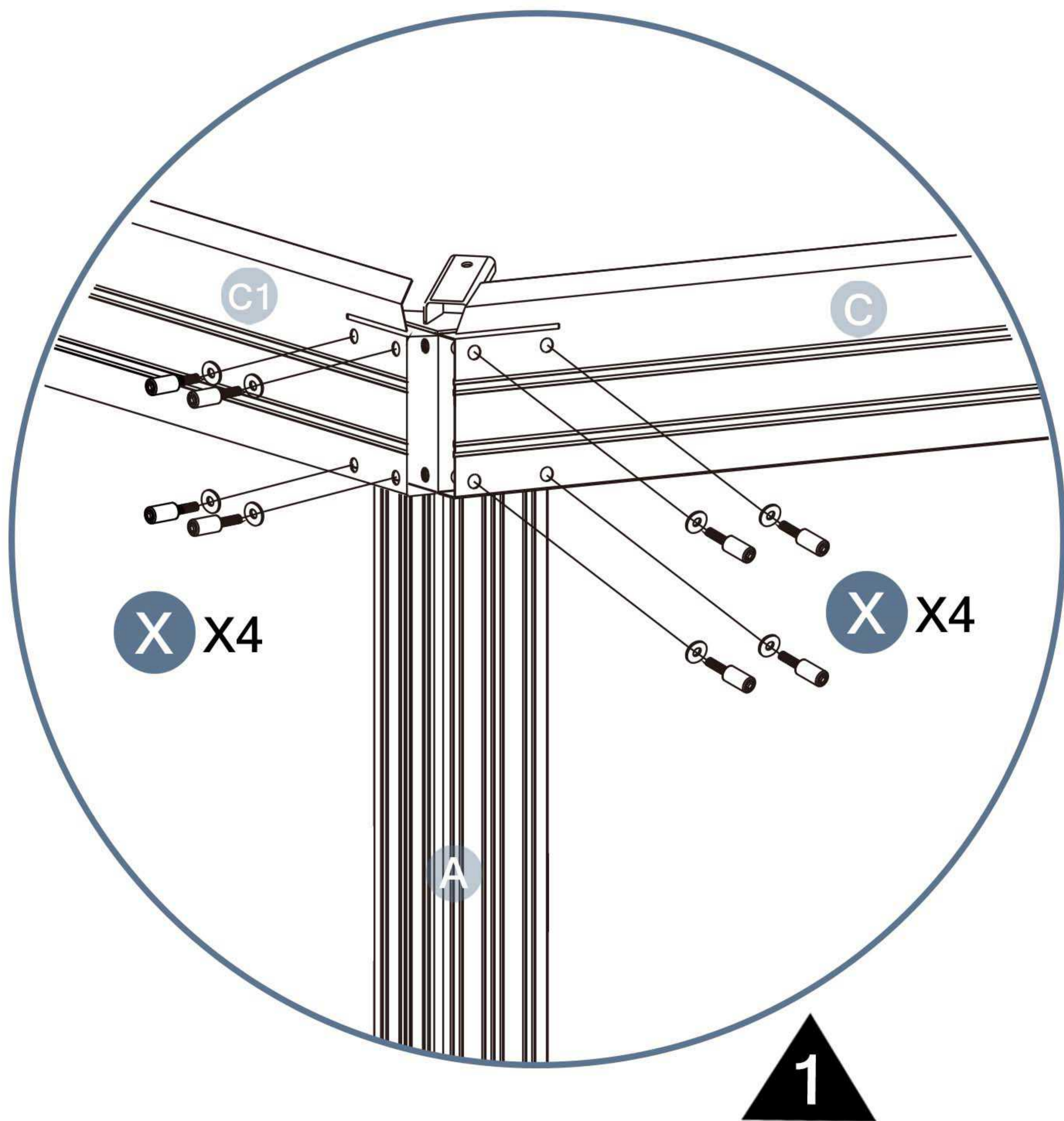
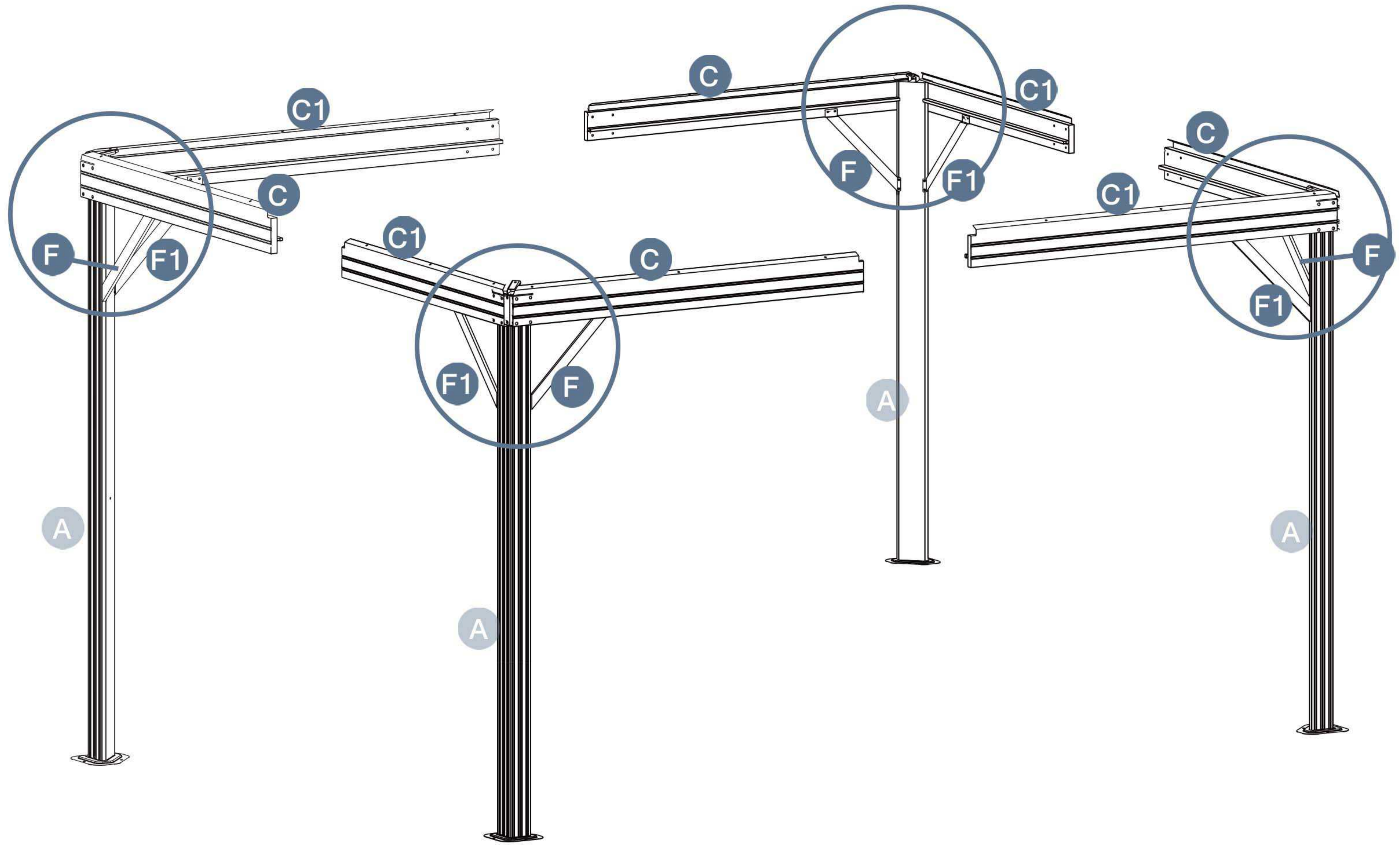
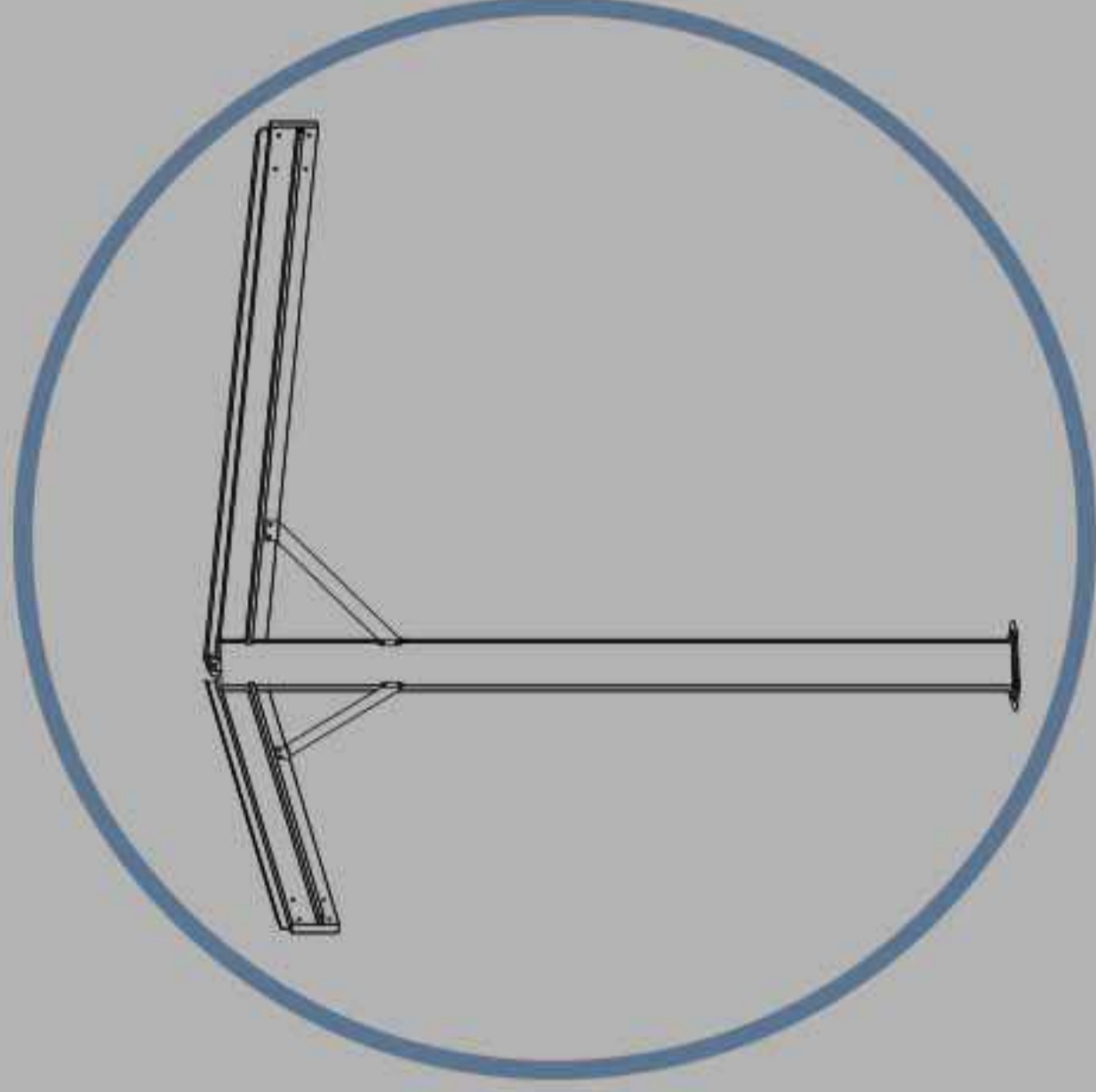


X4 32pcs

1 → 2

## NOTE:

You can put it down to assemble as shown in the picture.

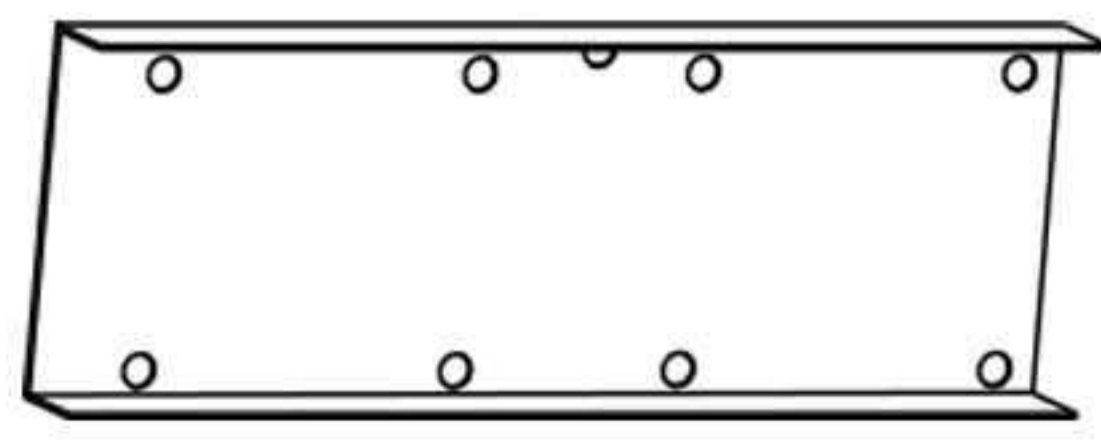


Please take care of the screws and contact the after-sales service if there is any problem with the installation or parts.

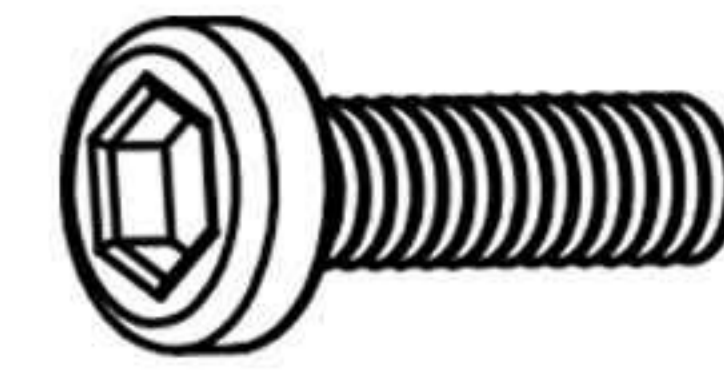
➔ ✉ E-mail: [cs.helper01@gmail.com](mailto:cs.helper01@gmail.com)

# STEP 3

Parts required



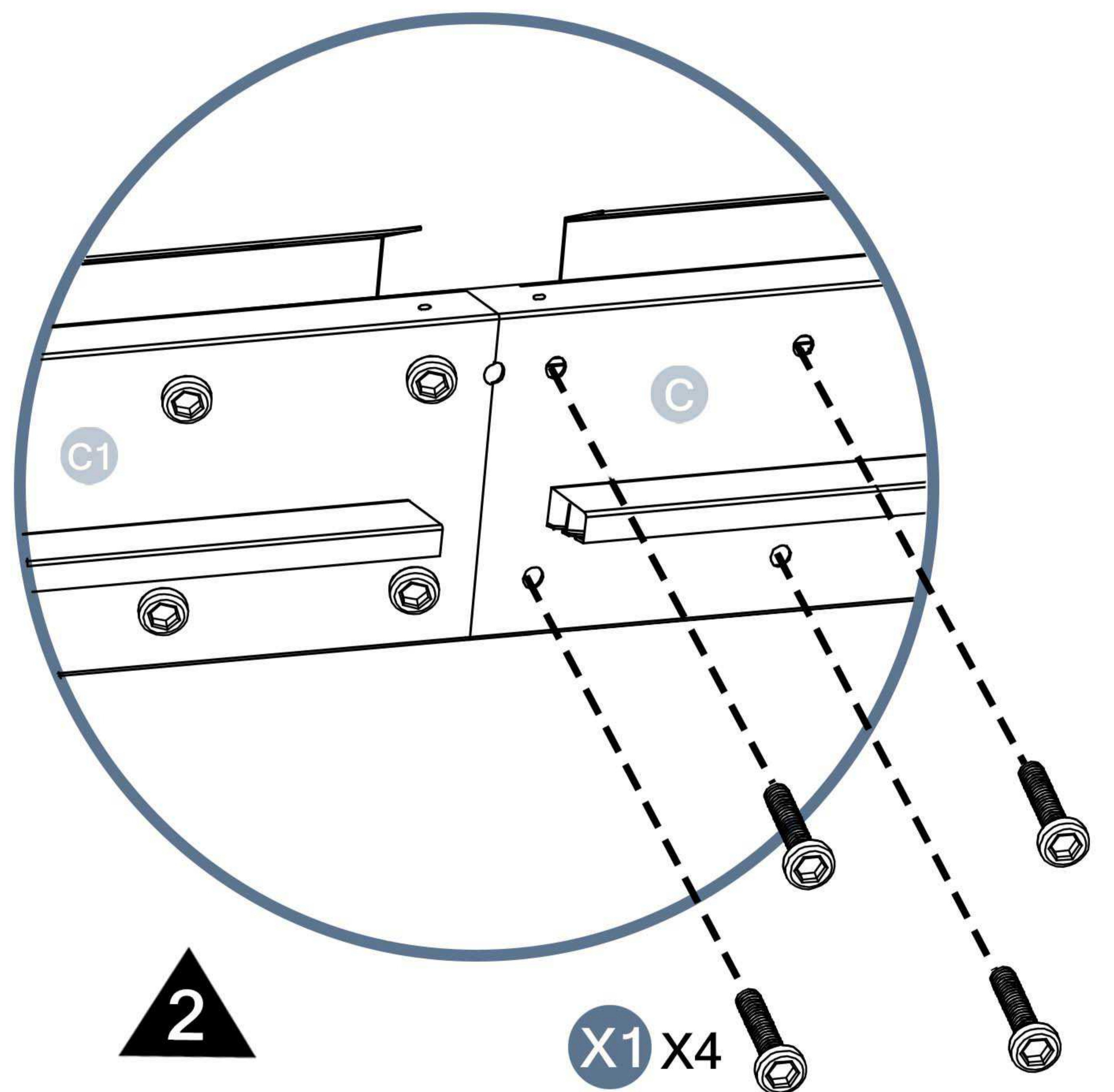
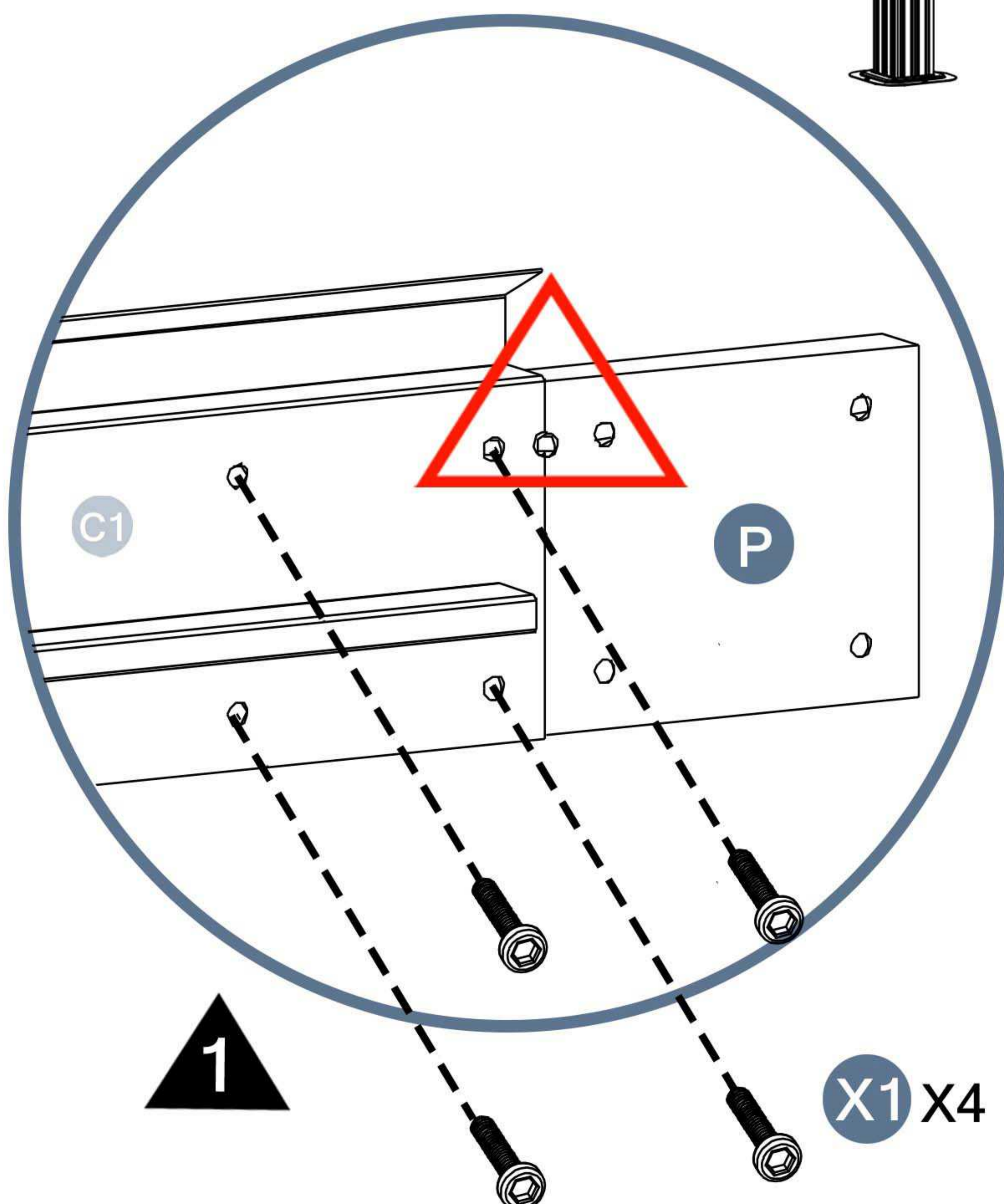
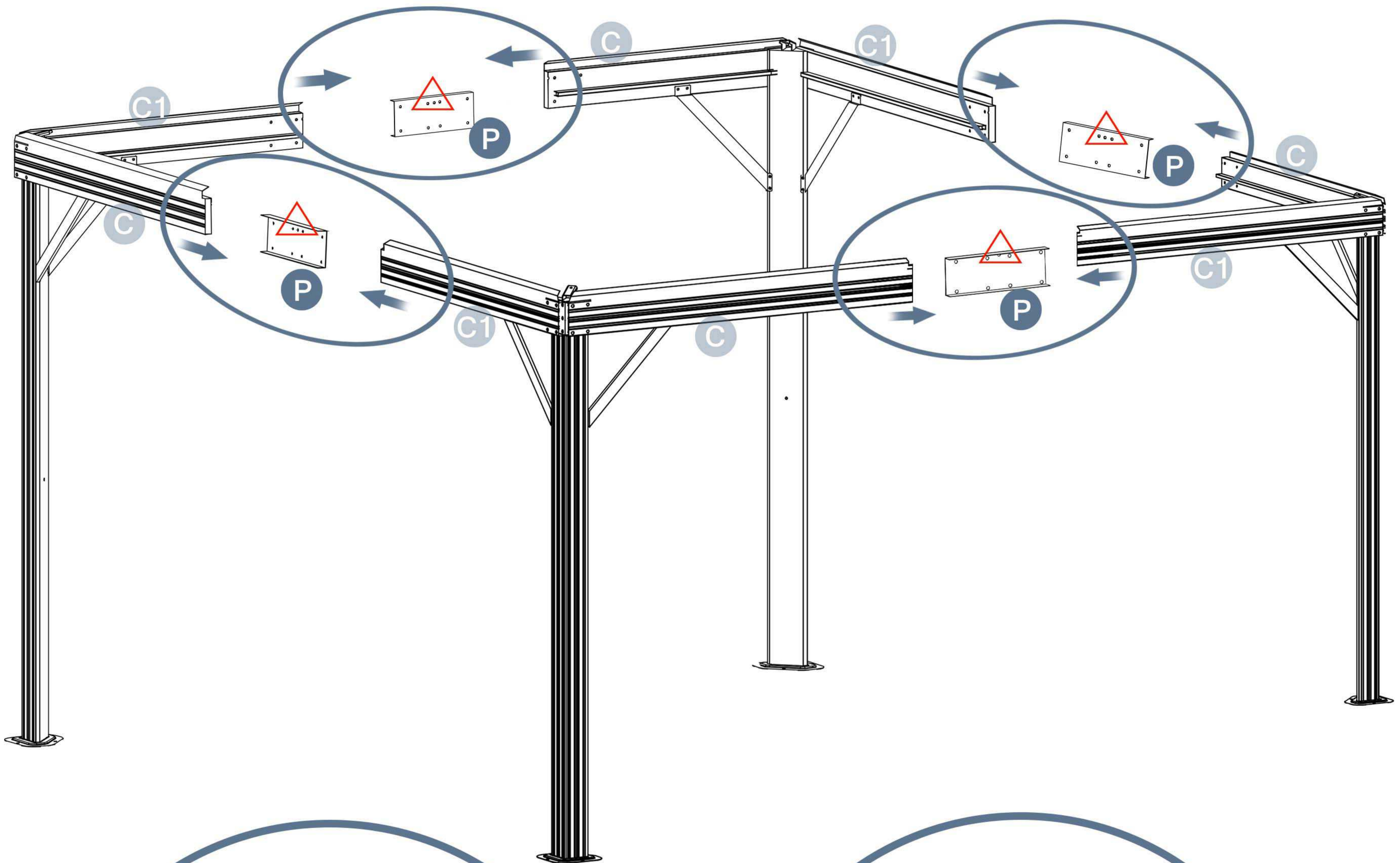
**P** 4pcs



**X1** 32pcs

1 → 2

△ When connecting **C** and **C1** via **P**, make sure that 3 holes on part **P** (as shown in the picture) should be facing upwards. Do not install it upside down.



Please take care of the screws and contact the after-sales service if there is any problem with the installation or parts.

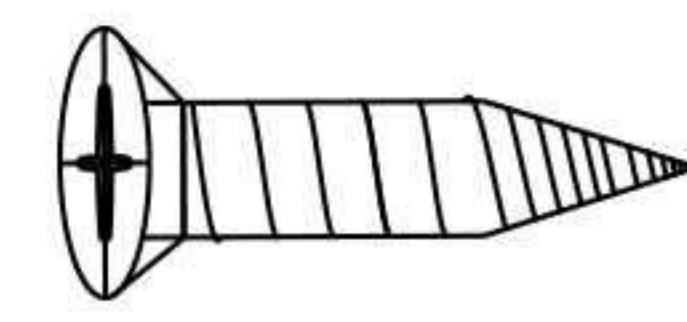


# STEP 4

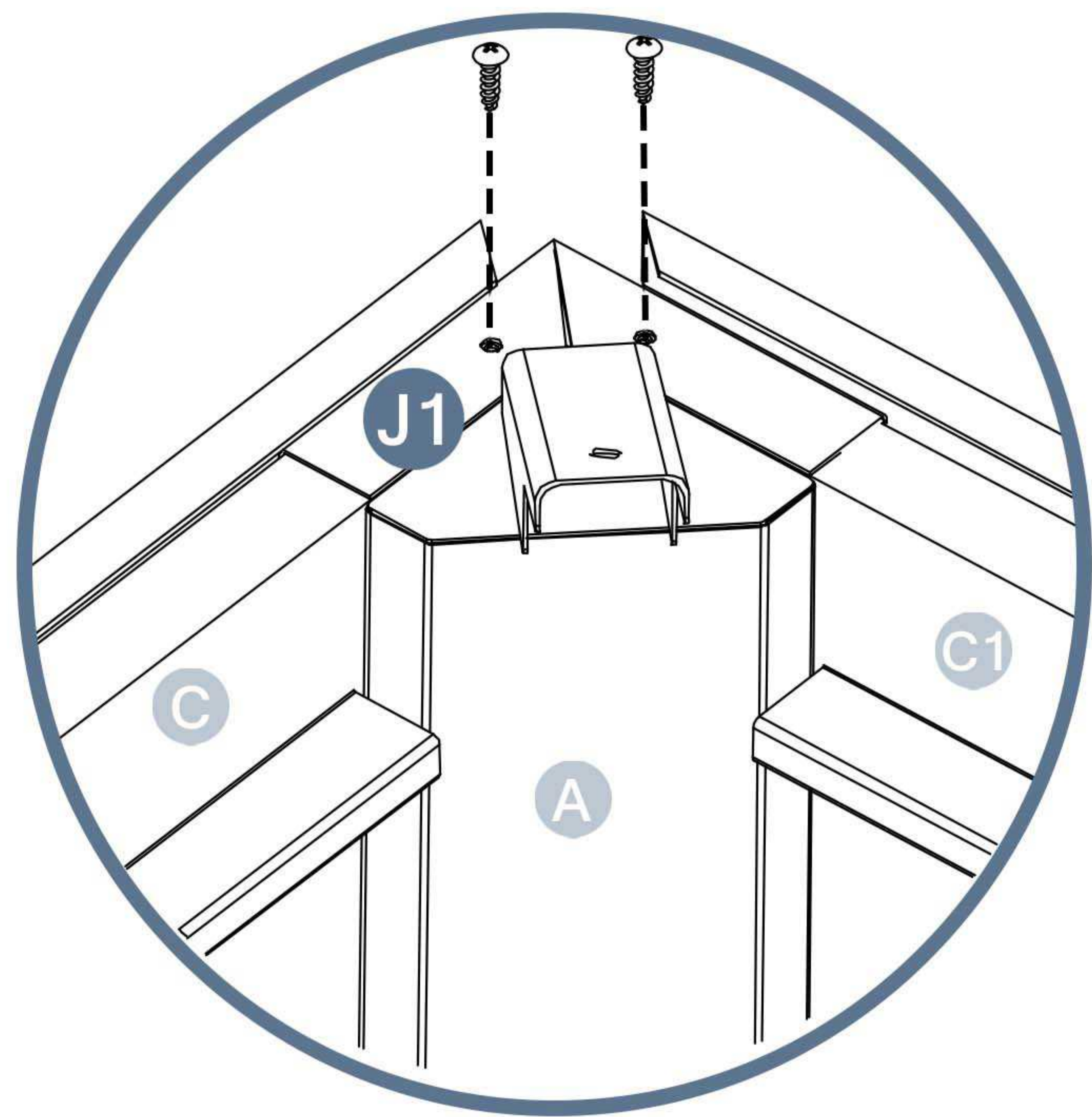
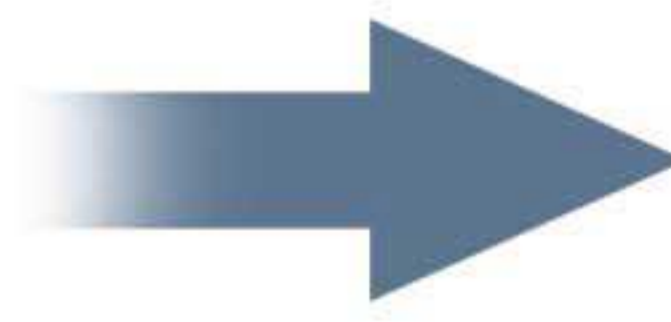
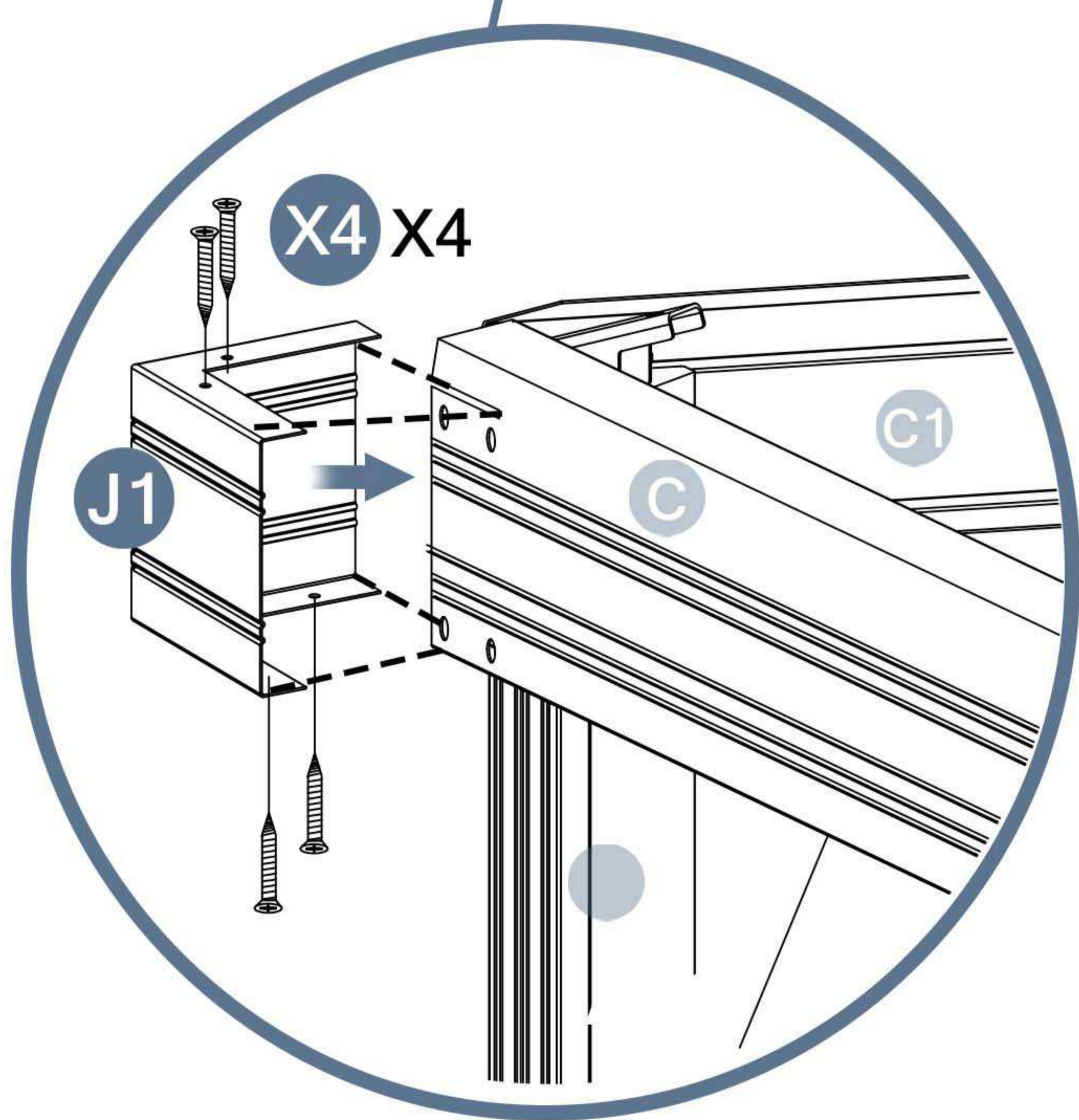
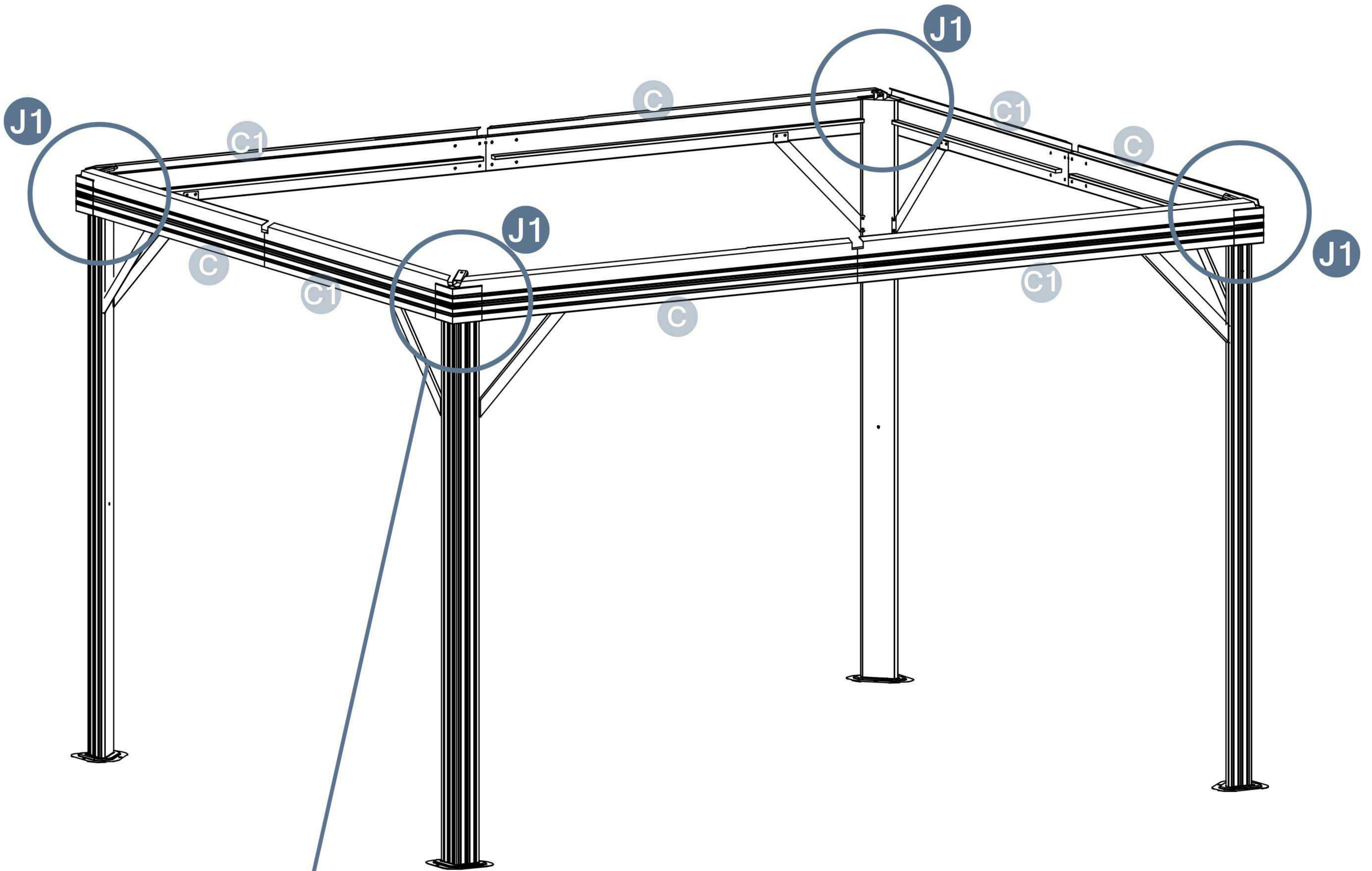
Parts required



J1 4pcs



X4 16pcs

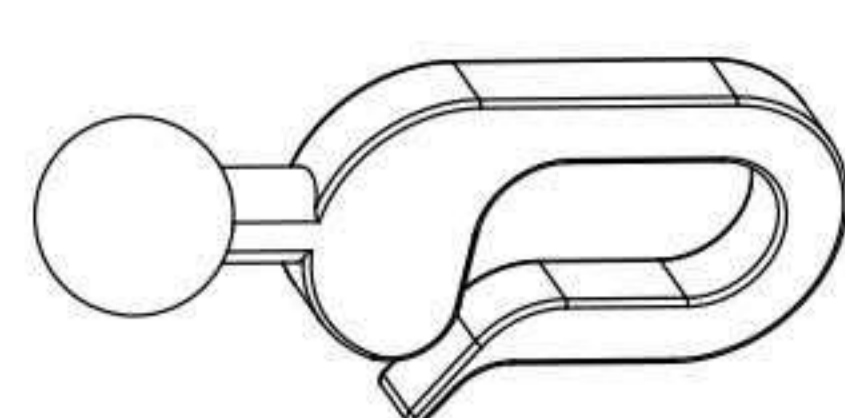


Please take care of the screws and contact the after-sales service if there is any problem with the installation or parts.

➔ ✉ E-mail: [cs.helper01@gmail.com](mailto:cs.helper01@gmail.com)

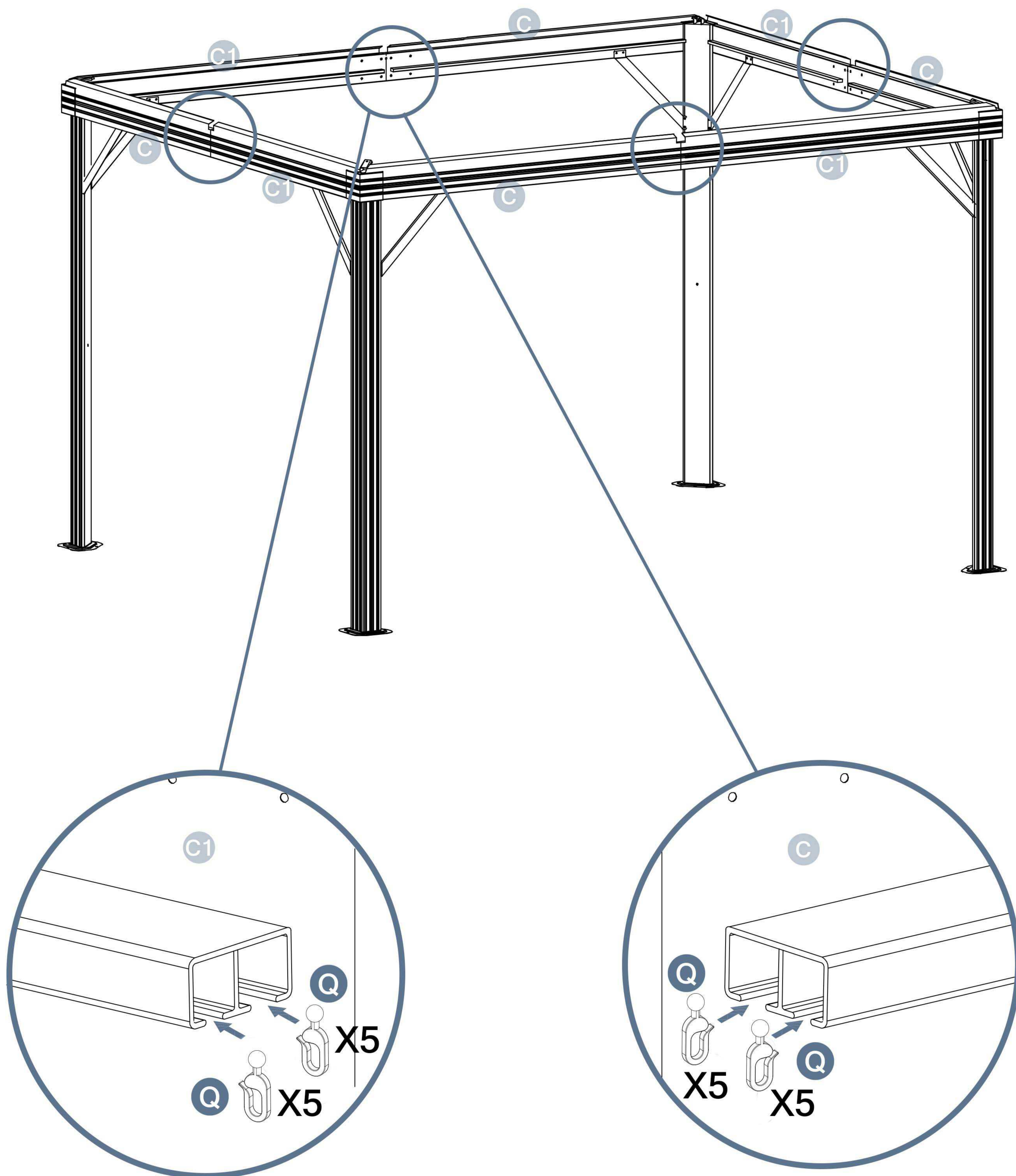
# STEP 5

Parts required



**Q** 80pcs

There are 2 rails on the rod. Install the 5 hanging hooks each rail on rod of **C** and **C1**.



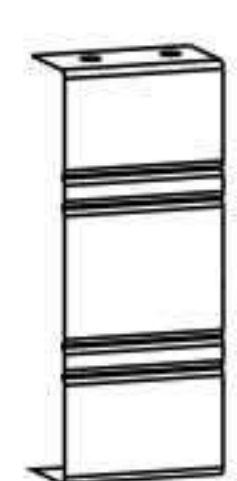
Please take care of the screws and contact the after-sales service if there is any problem with the installation or parts.



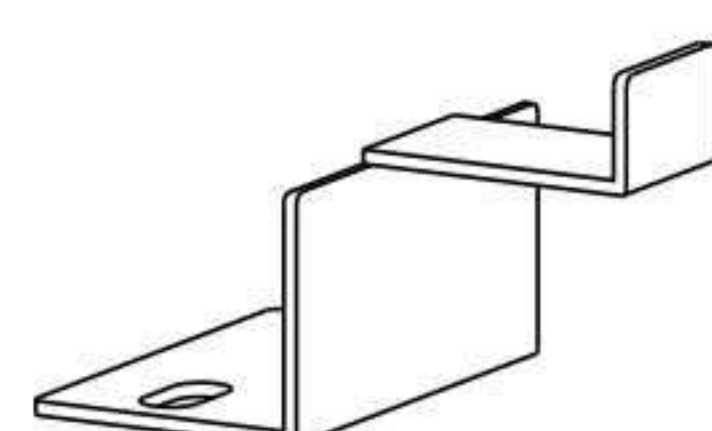
E-mail: [cs.helper01@gmail.com](mailto:cs.helper01@gmail.com)

# STEP 6

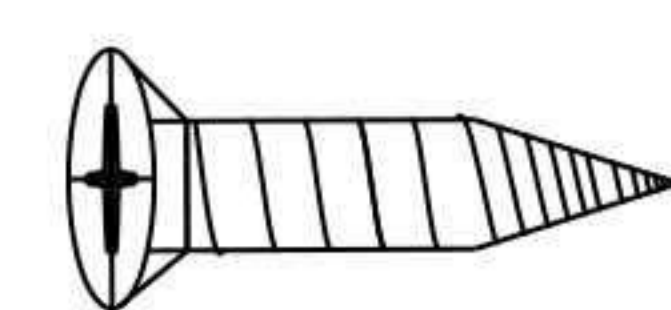
Parts required



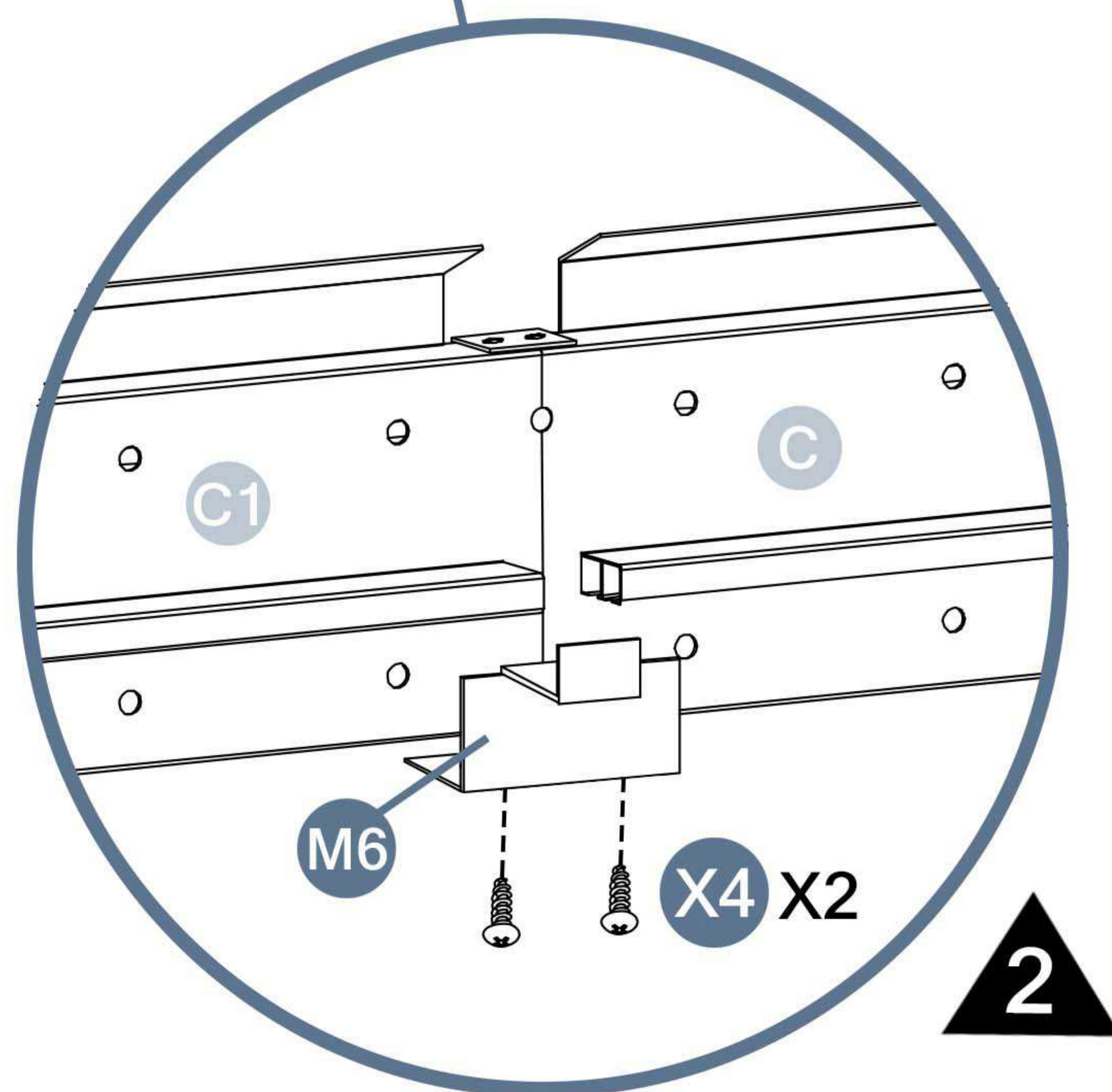
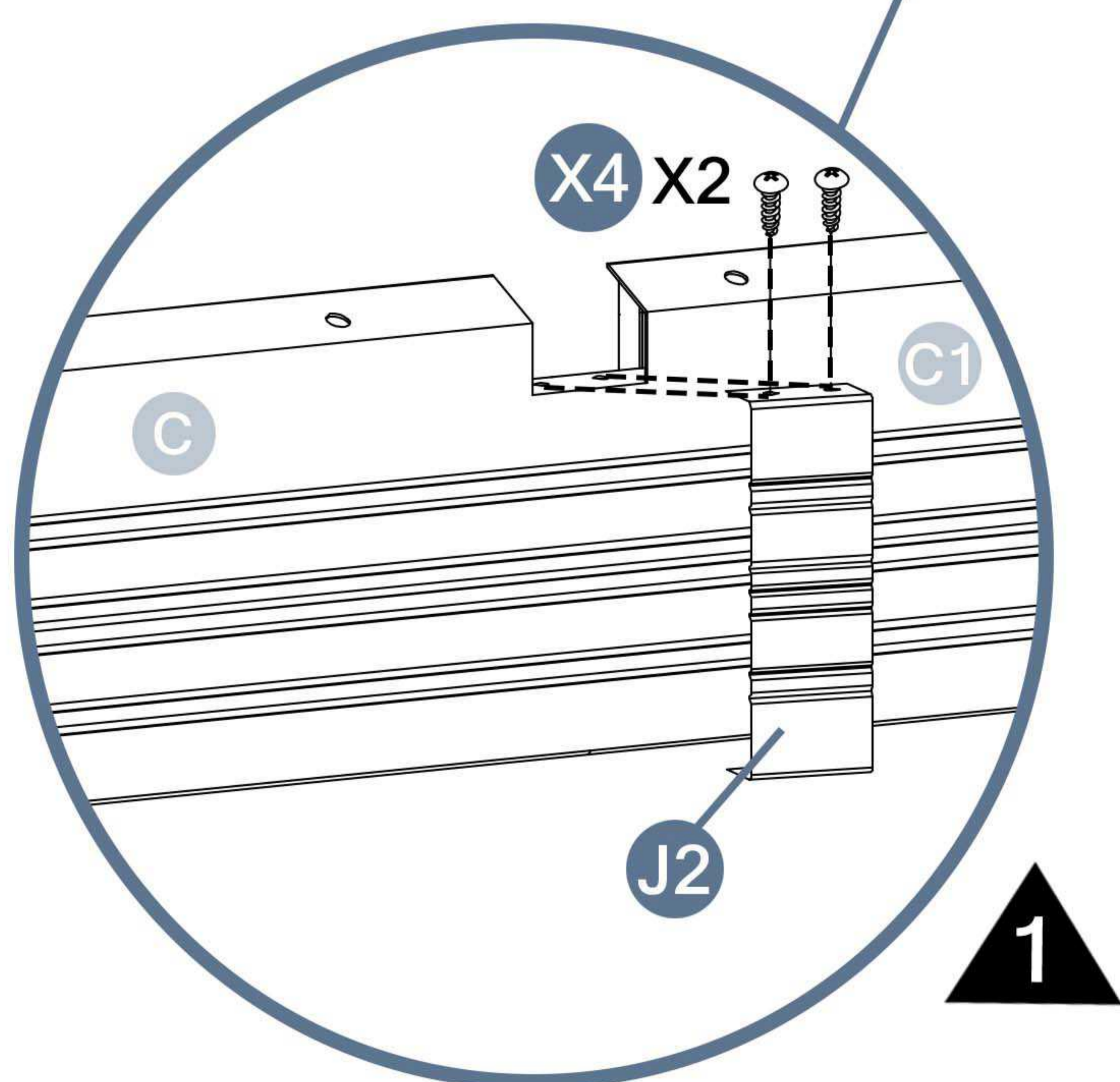
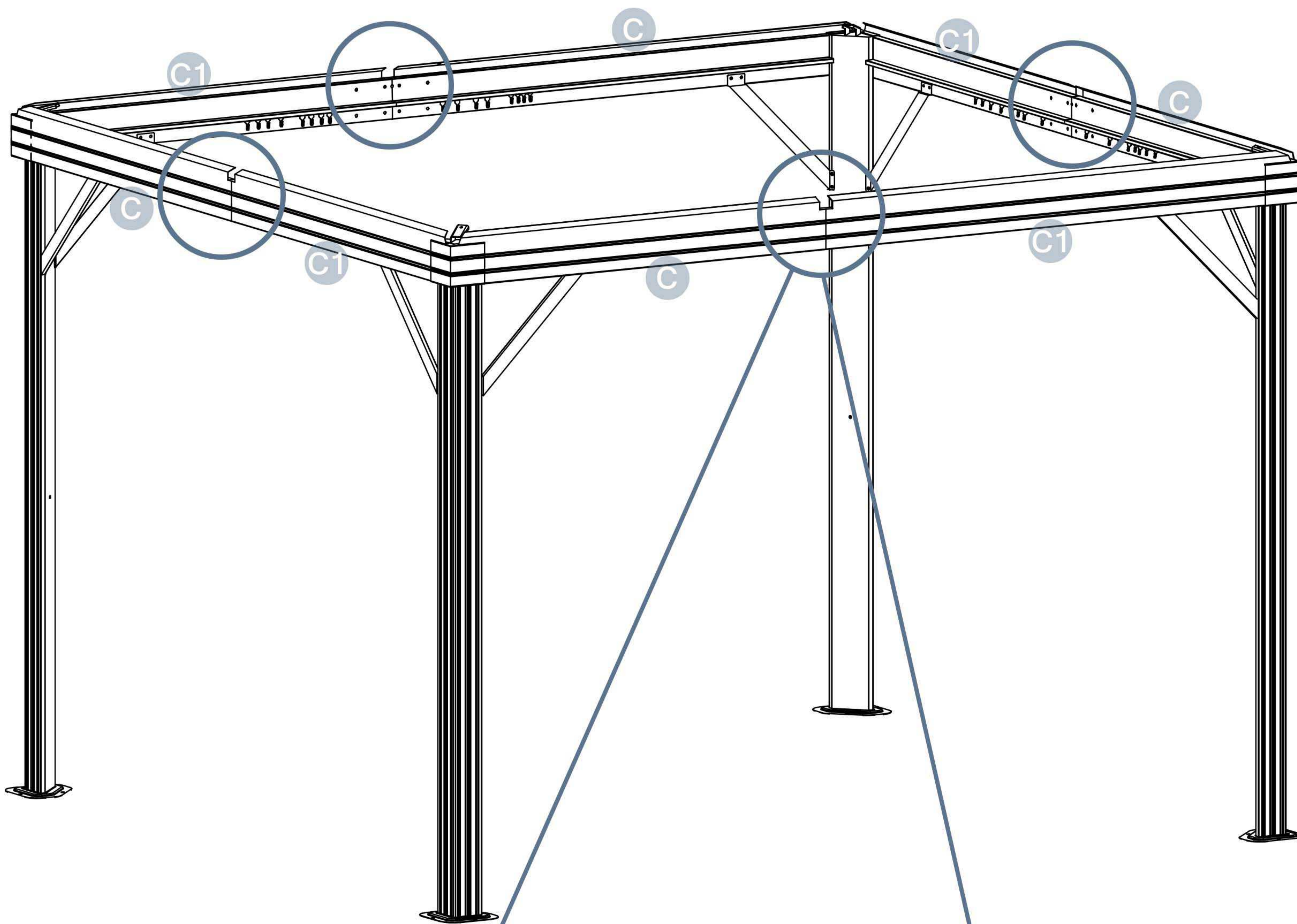
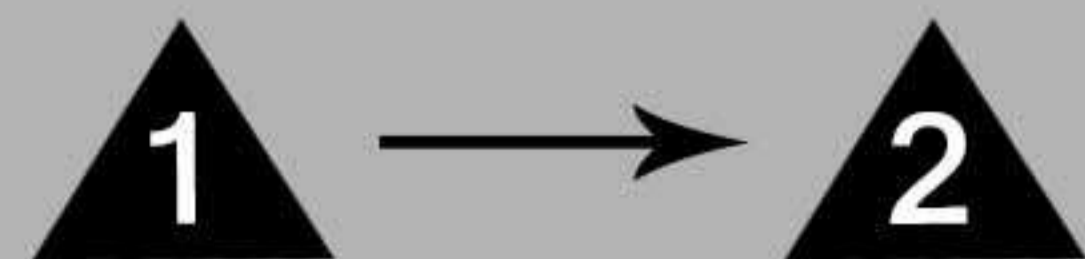
J2 4pcs



M6 4pcs



X4 16pcs



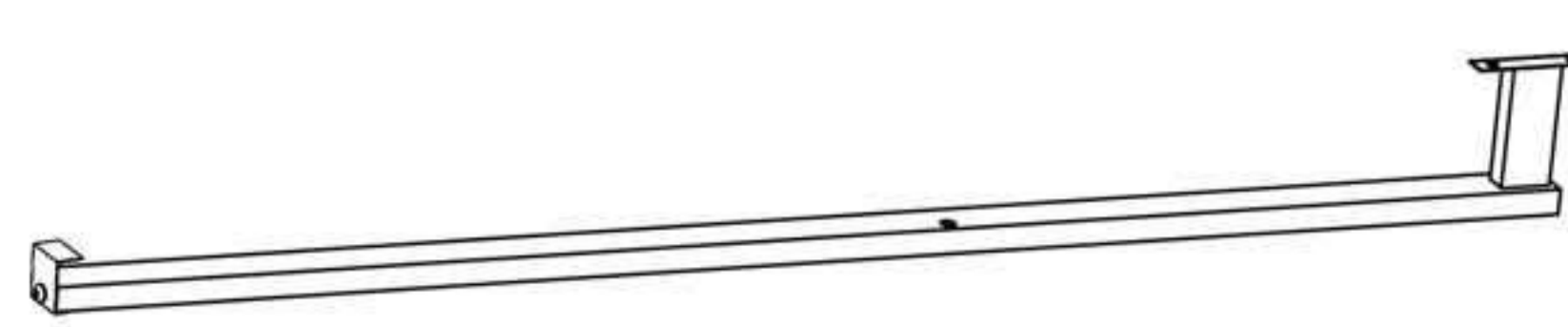
Please take care of the screws and contact the after-sales service if there is any problem with the installation or parts.



E-mail: [cs.helper01@gmail.com](mailto:cs.helper01@gmail.com)

# STEP 7

Parts required



D 4pcs



D1 4pcs



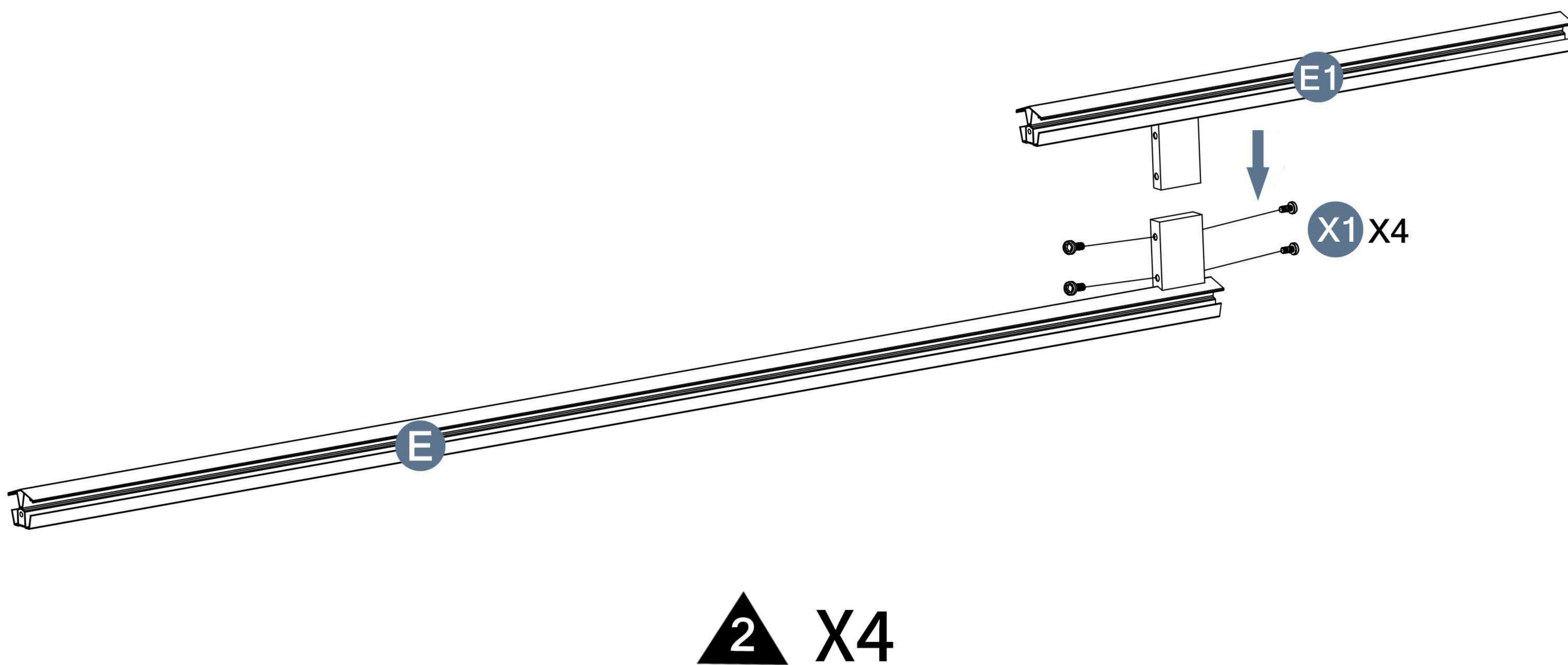
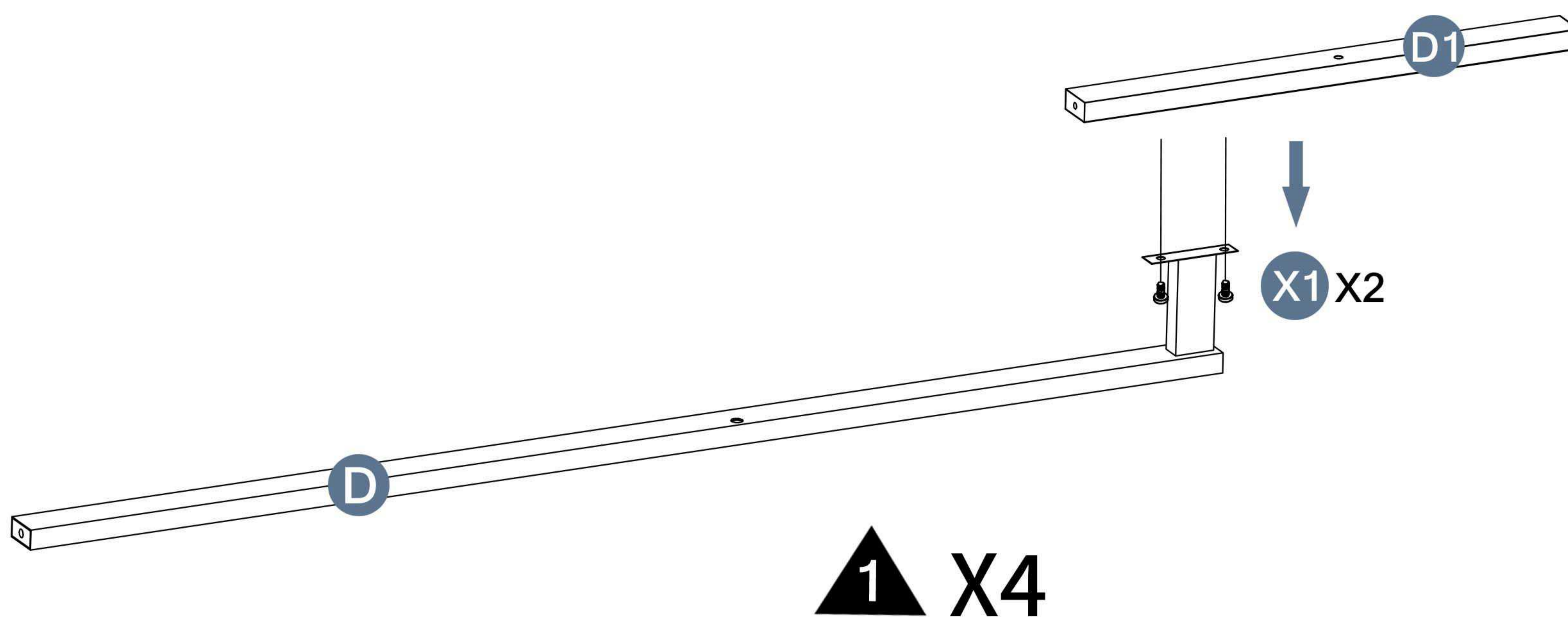
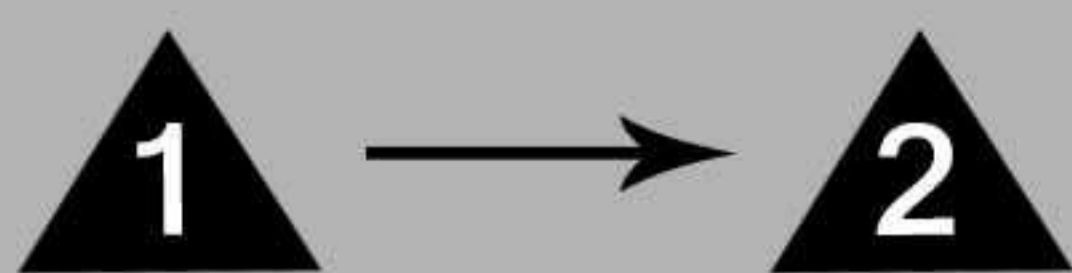
E 4pcs



E1 4pcs



X1 24pcs



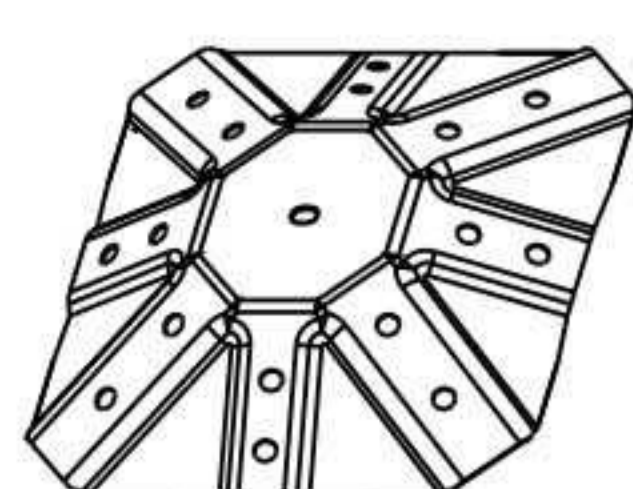
Please take care of the screws and contact the after-sales service if there is any problem with the installation or parts.



E-mail: [cs.helper01@gmail.com](mailto:cs.helper01@gmail.com)

# STEP 8

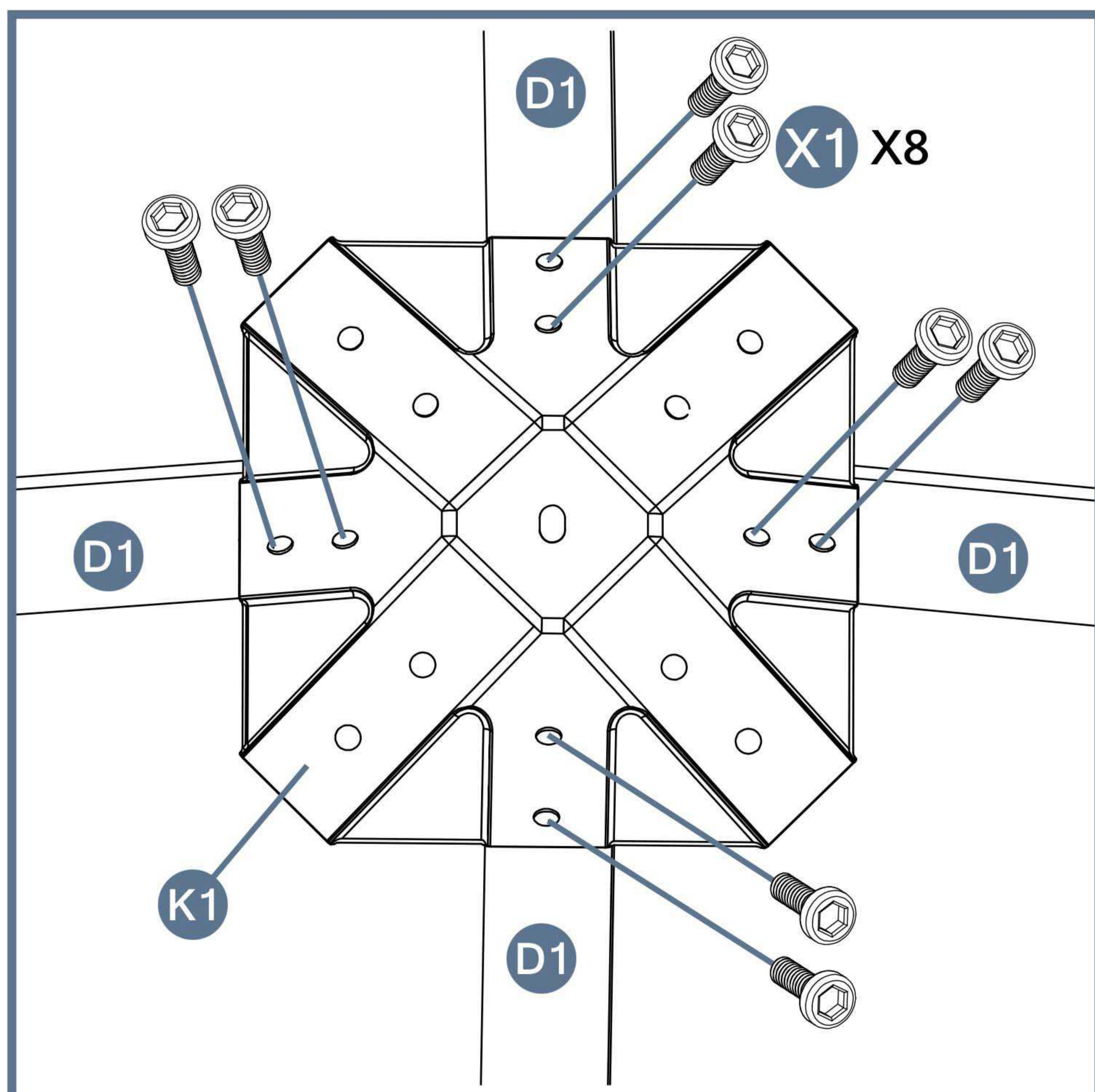
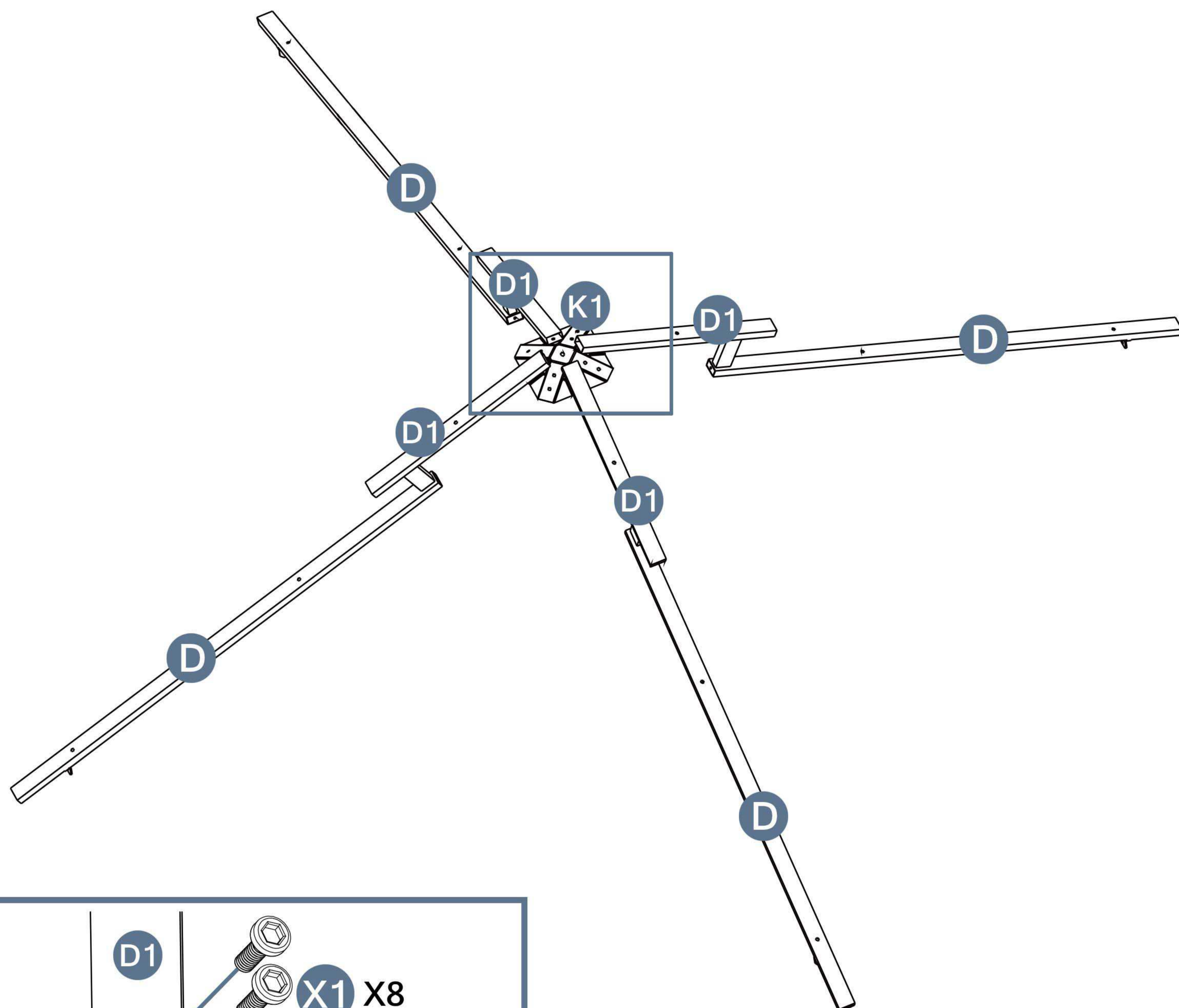
Parts required



**K1** 1pcs



**X1** 8pcs

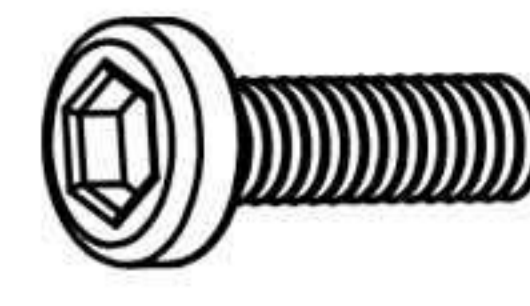


Please take care of the screws and contact the after-sales service if there is any problem with the installation or parts.

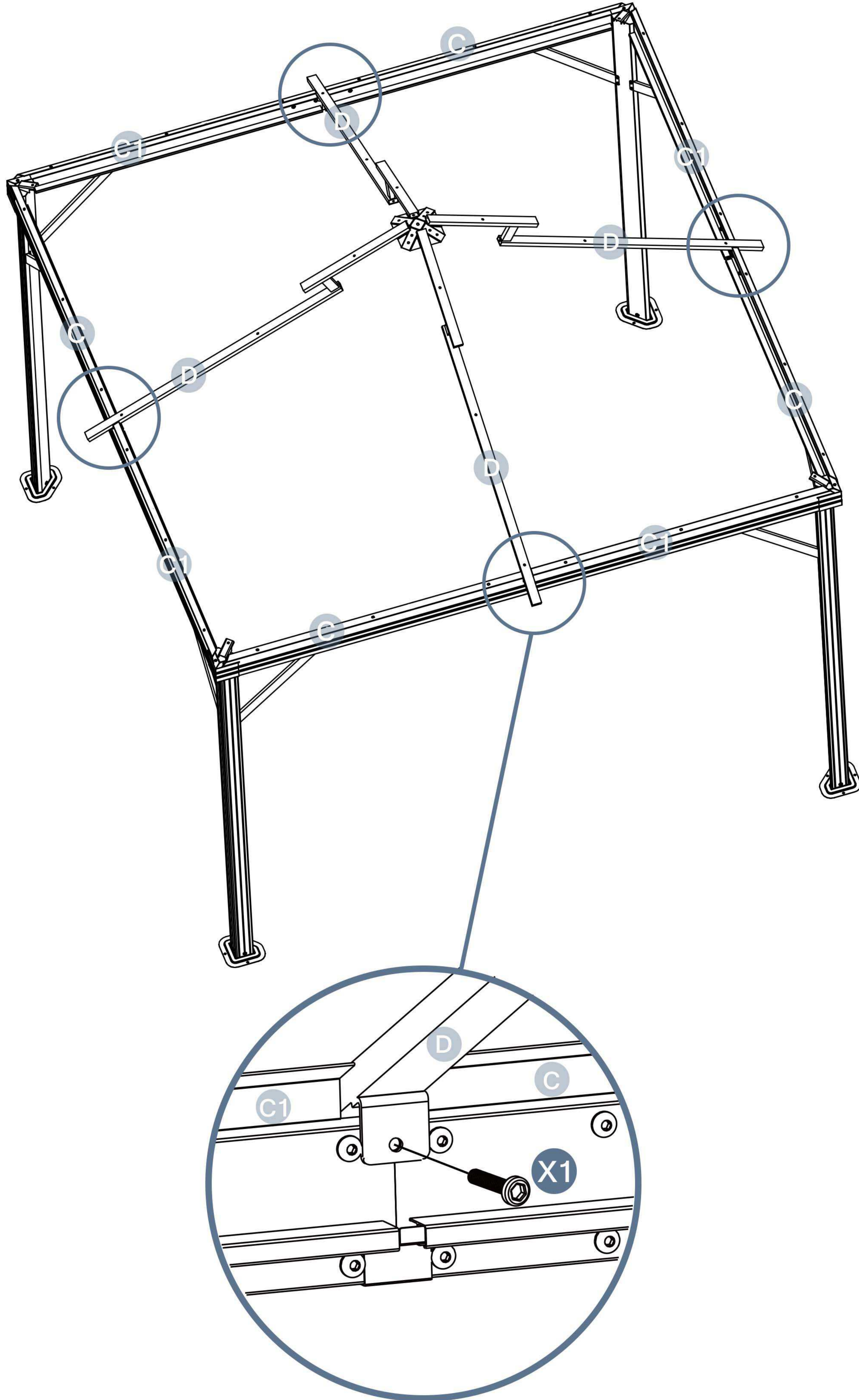
➔ ✉ E-mail: [cs.helper01@gmail.com](mailto:cs.helper01@gmail.com)

# STEP 9

Parts required



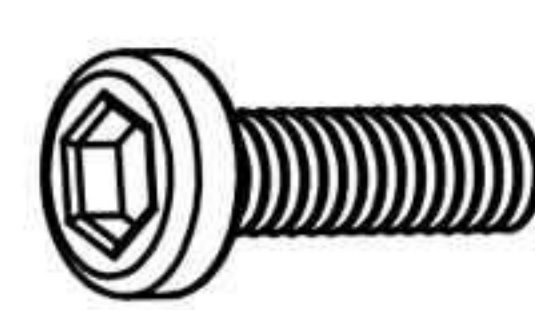
X1 4pcs



Please take care of the screws and contact the after-sales service if there is any problem with the installation or parts.

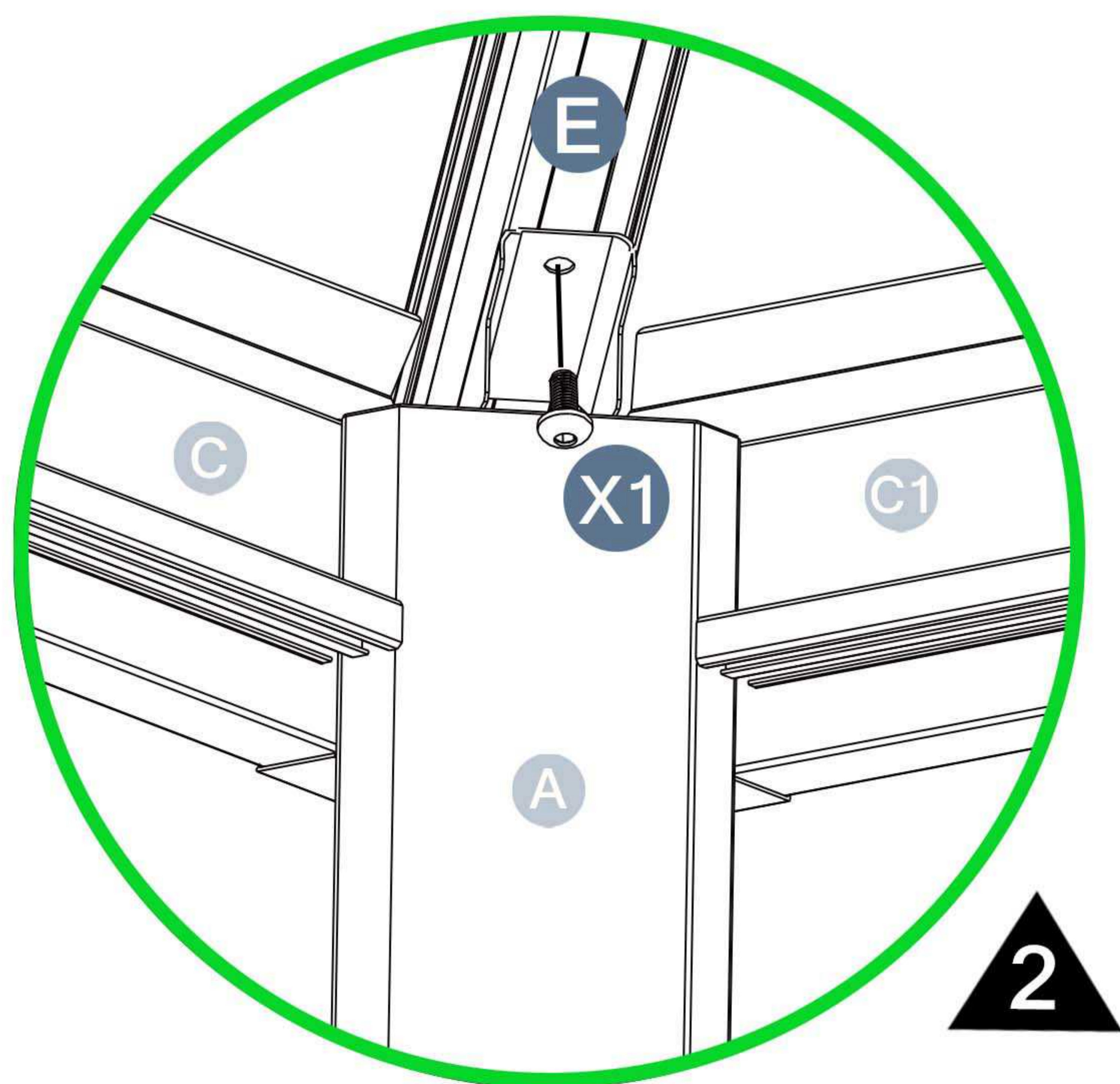
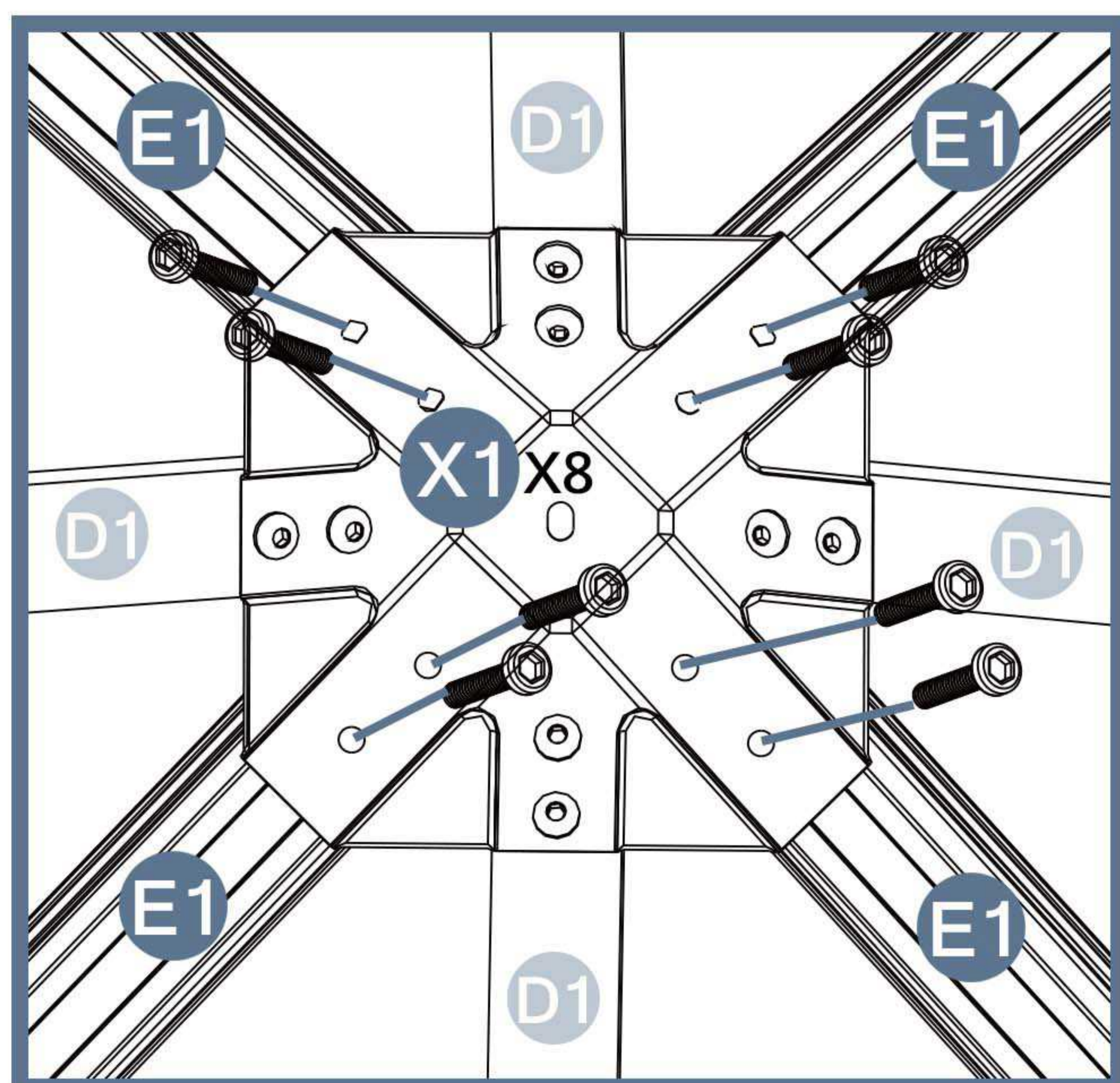
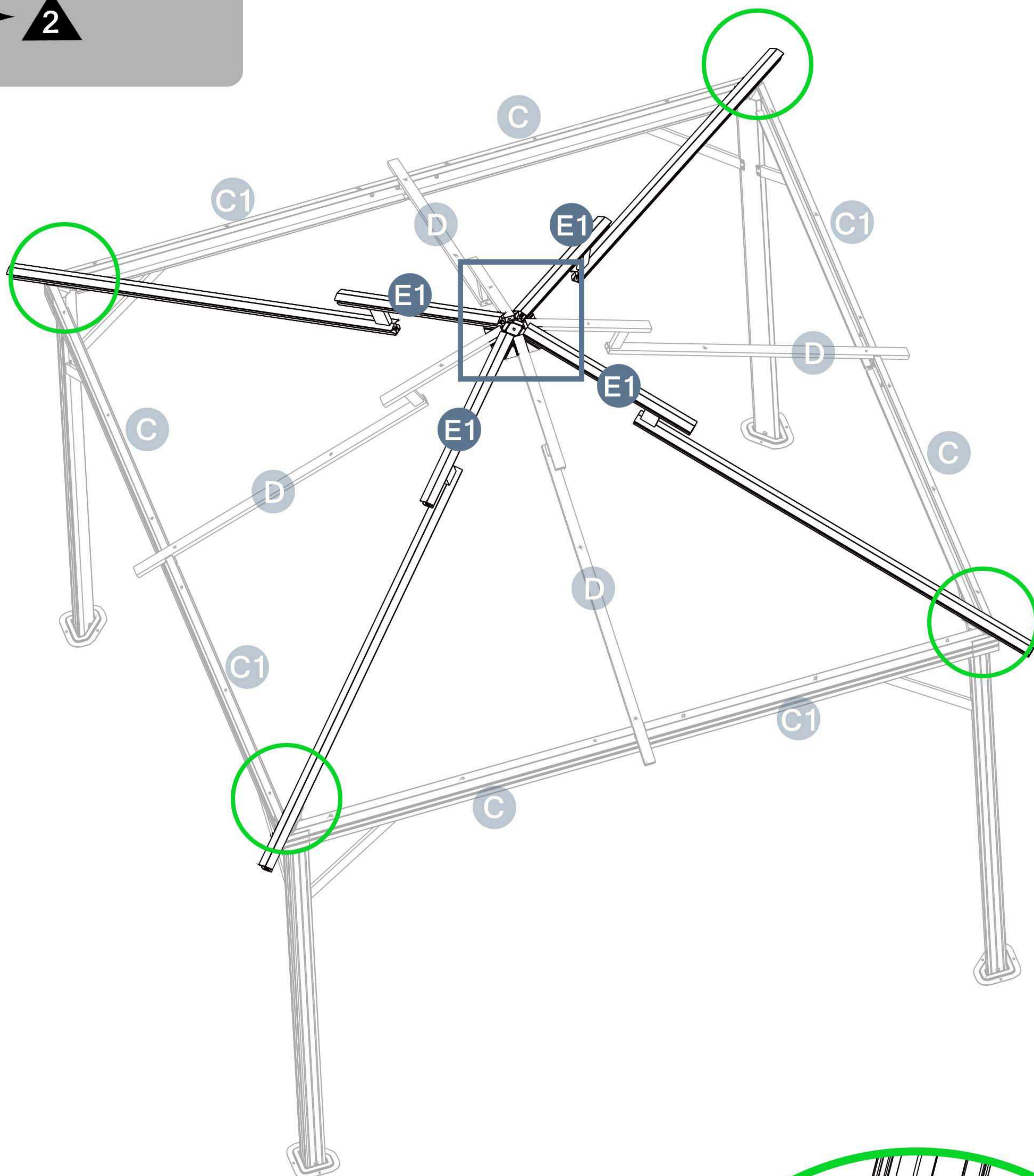
# STEP 10

Parts required



X1 12pcs

1 → 2



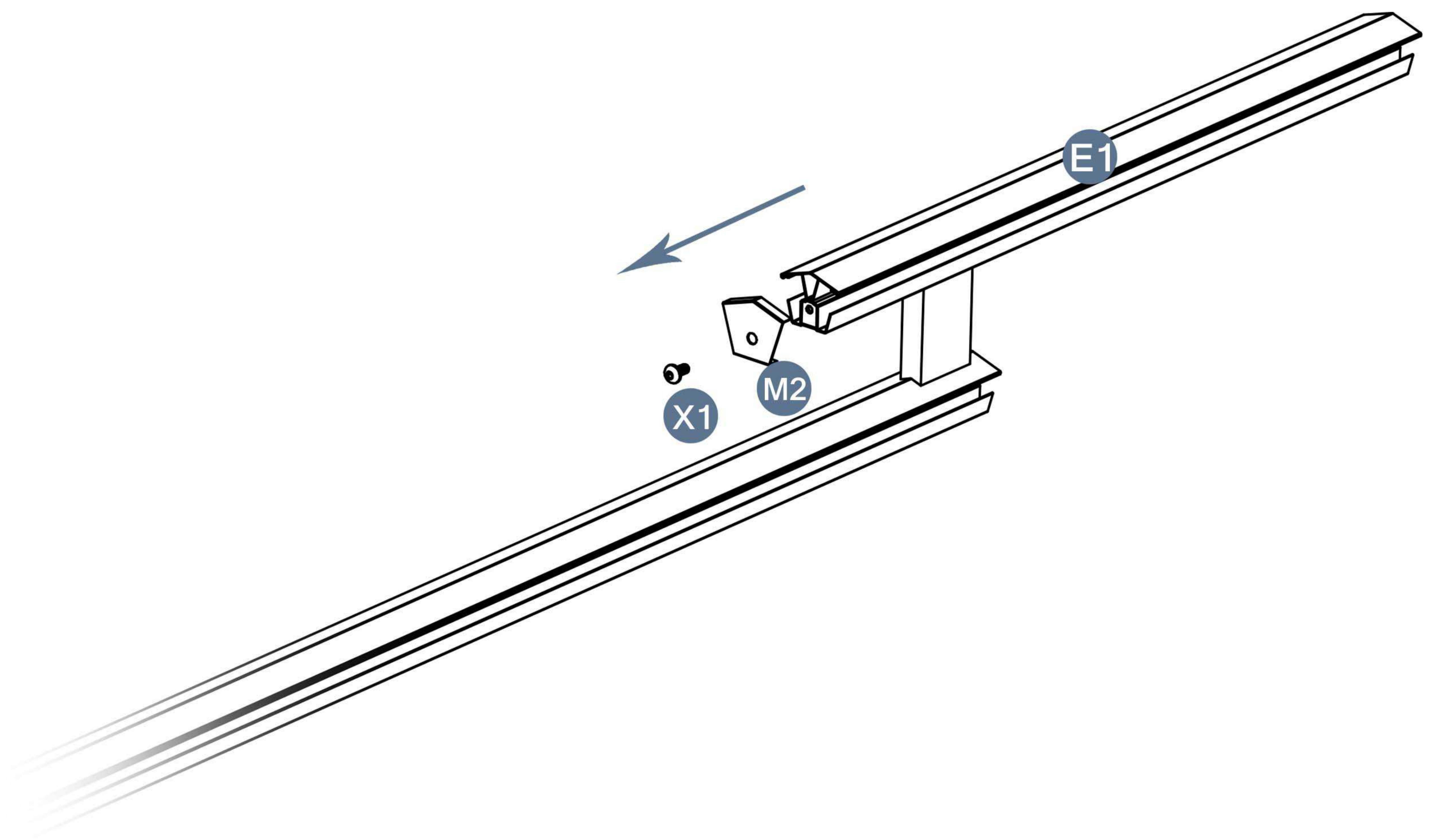
Please take care of the screws and contact the after-sales service if there is any problem with the installation or parts.



E-mail: [cs.helper01@gmail.com](mailto:cs.helper01@gmail.com)

To prevent the loss of M2  
we mounted the M2 on top of the E1 ahead of time

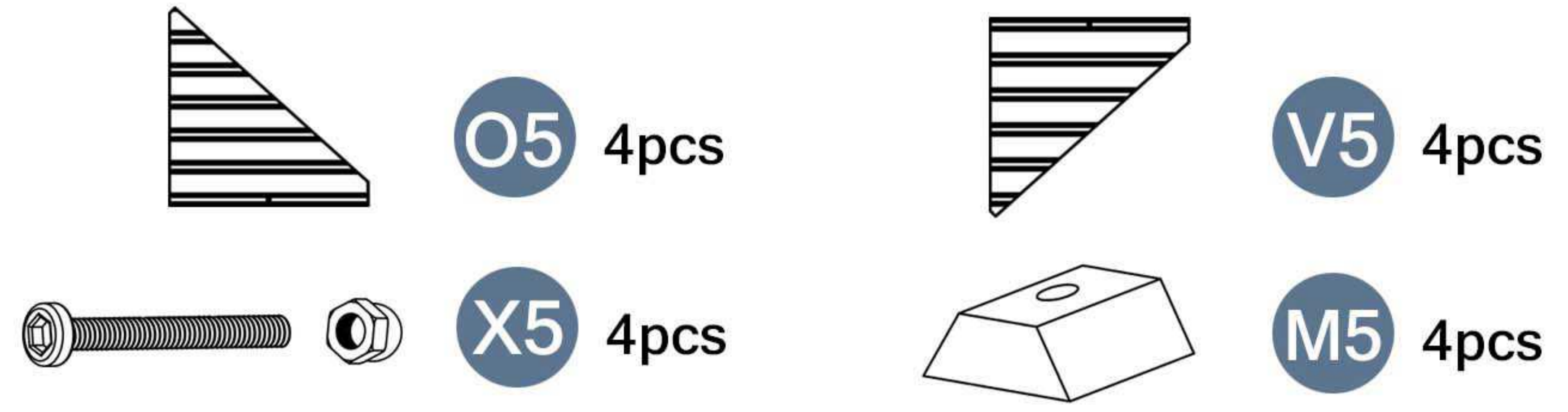
Before installing step 11, please remove the 4 M2's from the  
part E1. (Reinstall them during step 12) .



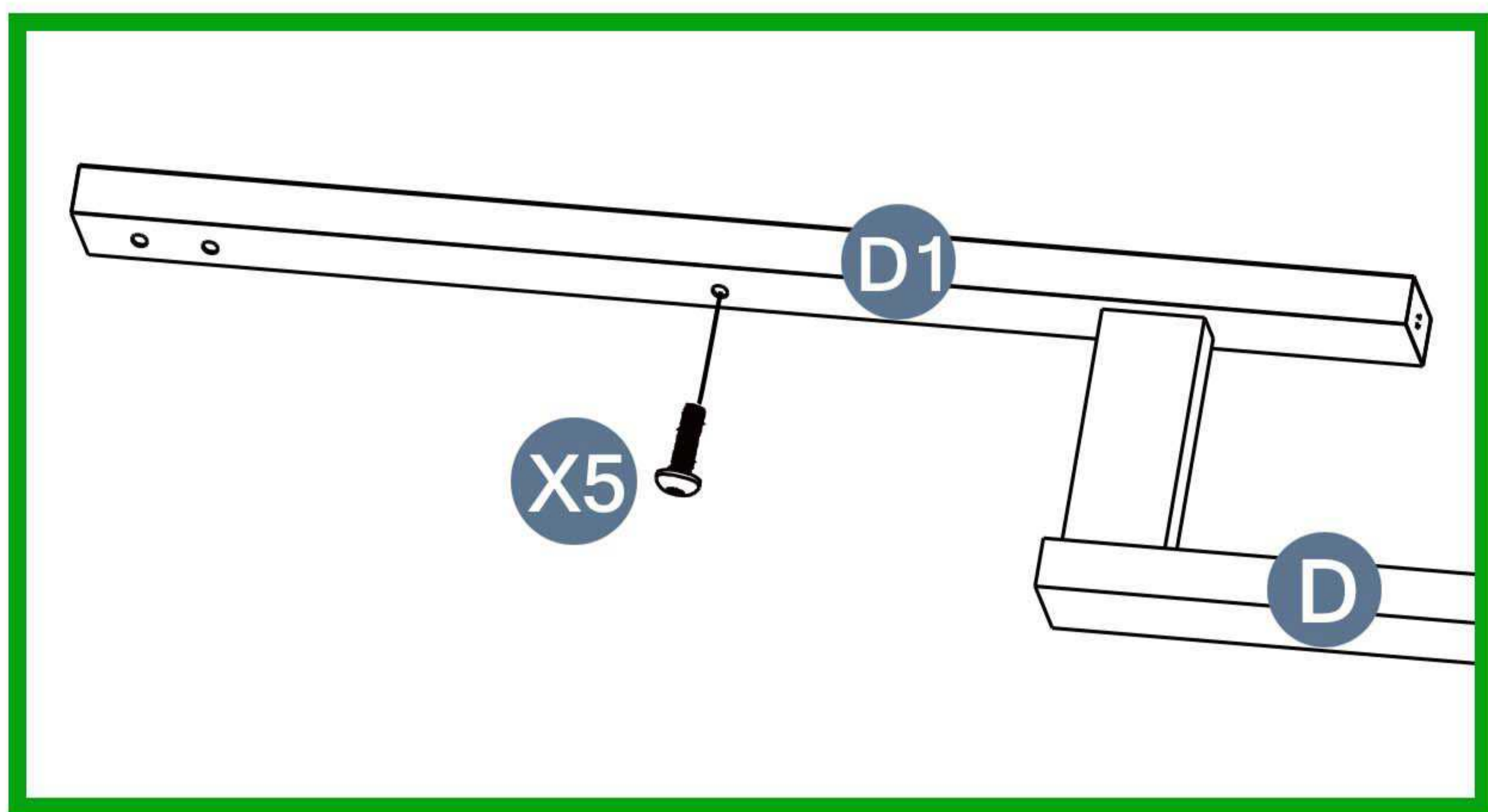
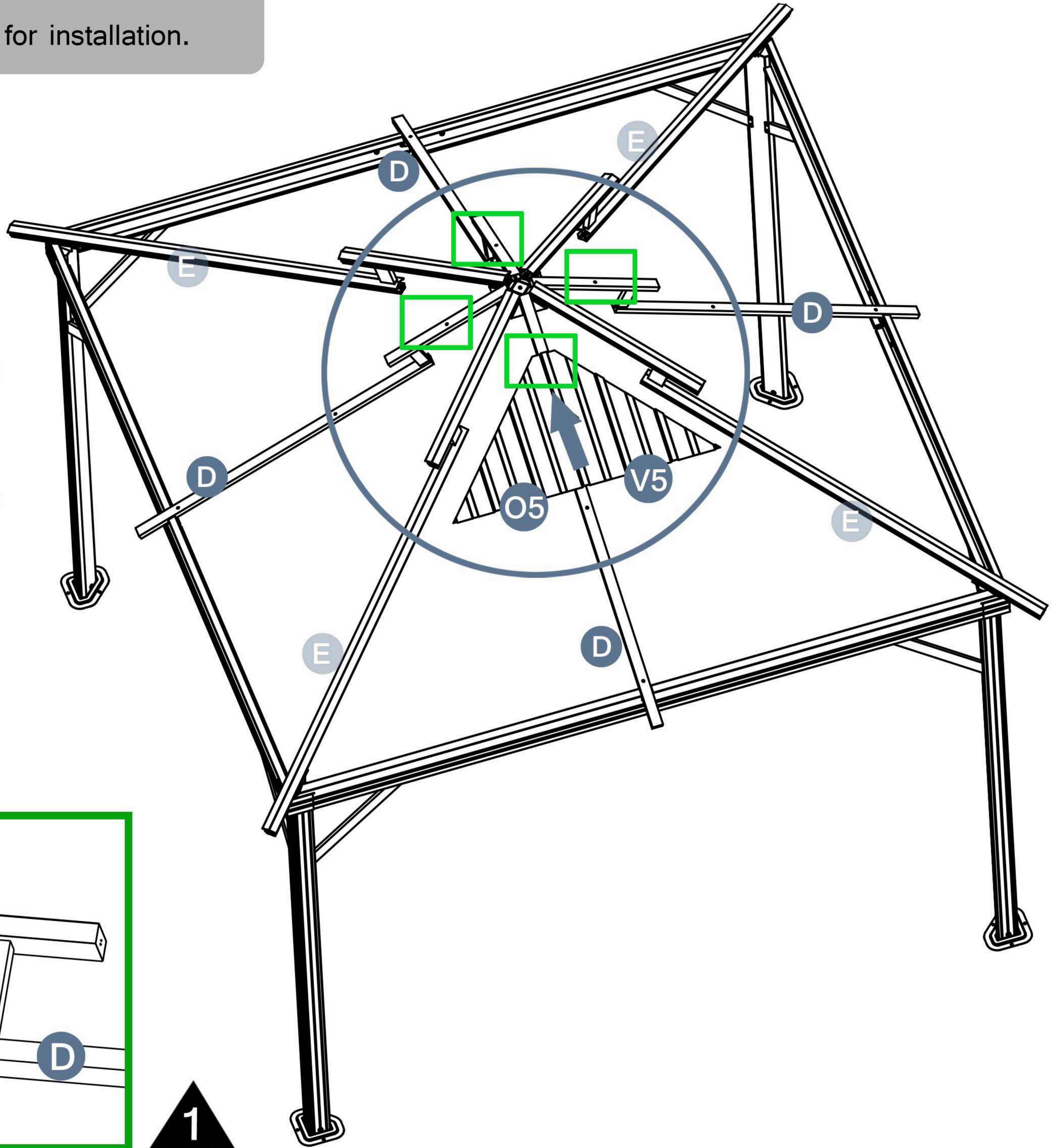
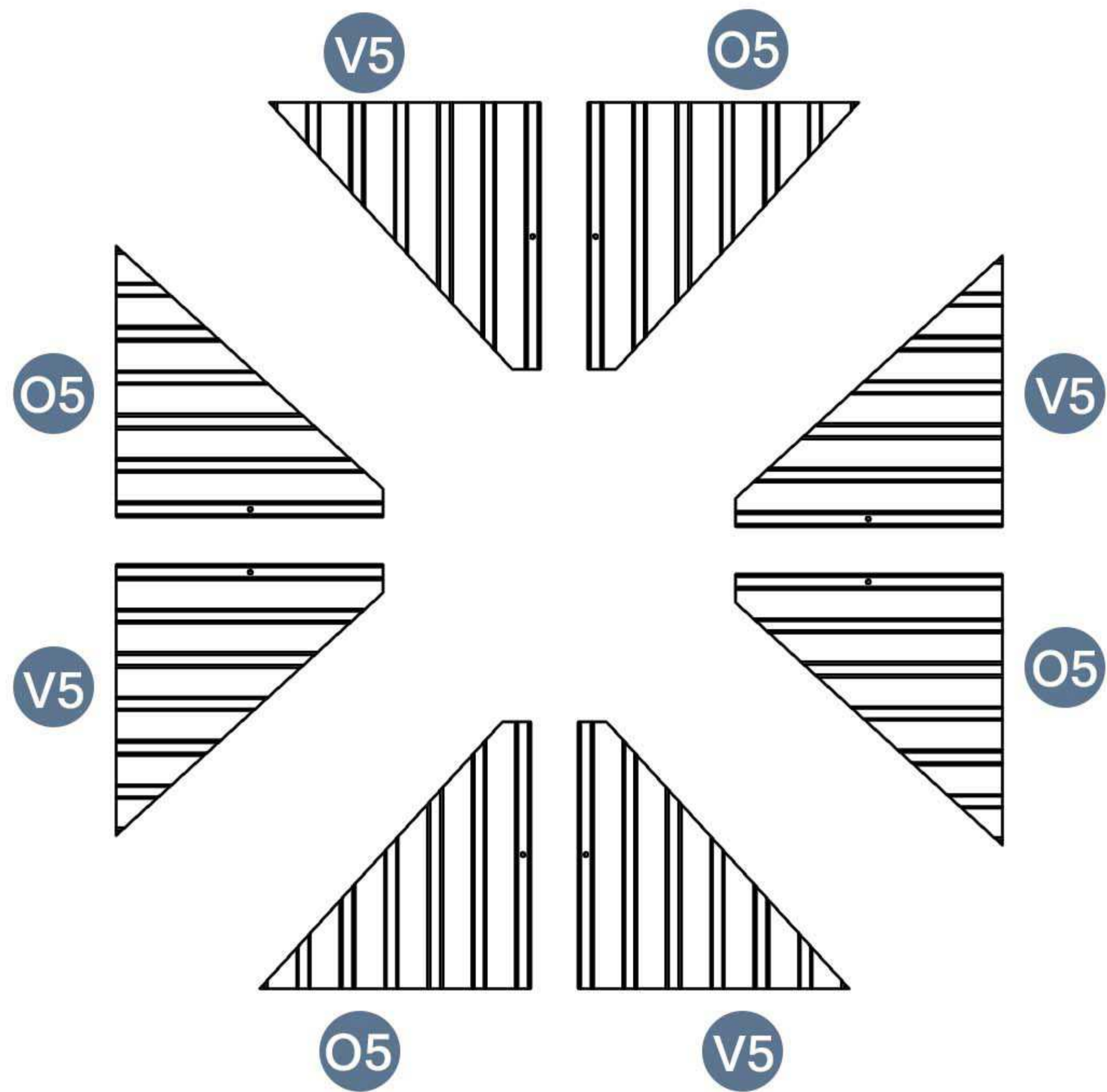
Please take care of the screws and contact the after-sales service if there is any problem with the installation or parts.

# STEP 11

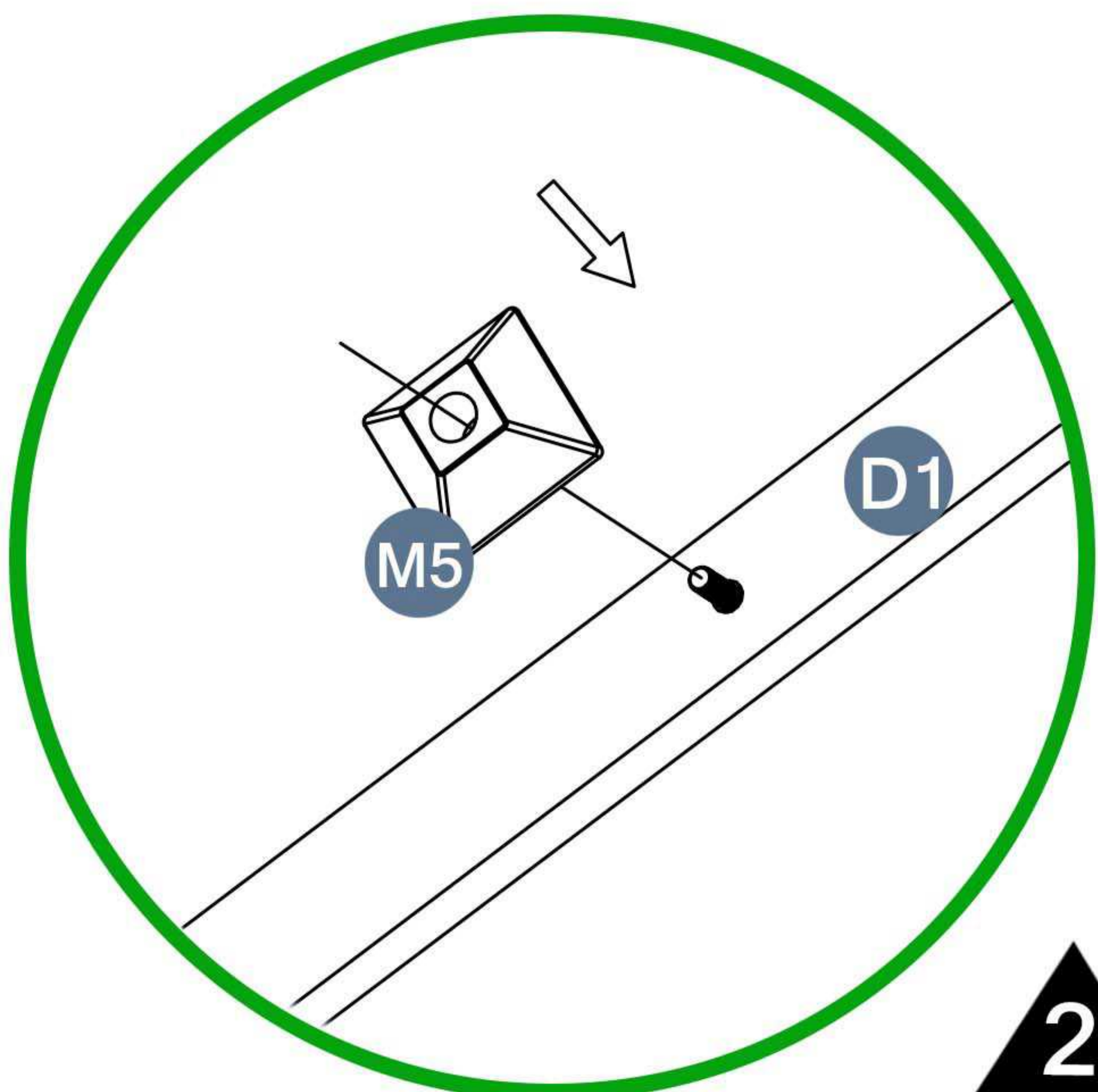
Parts required



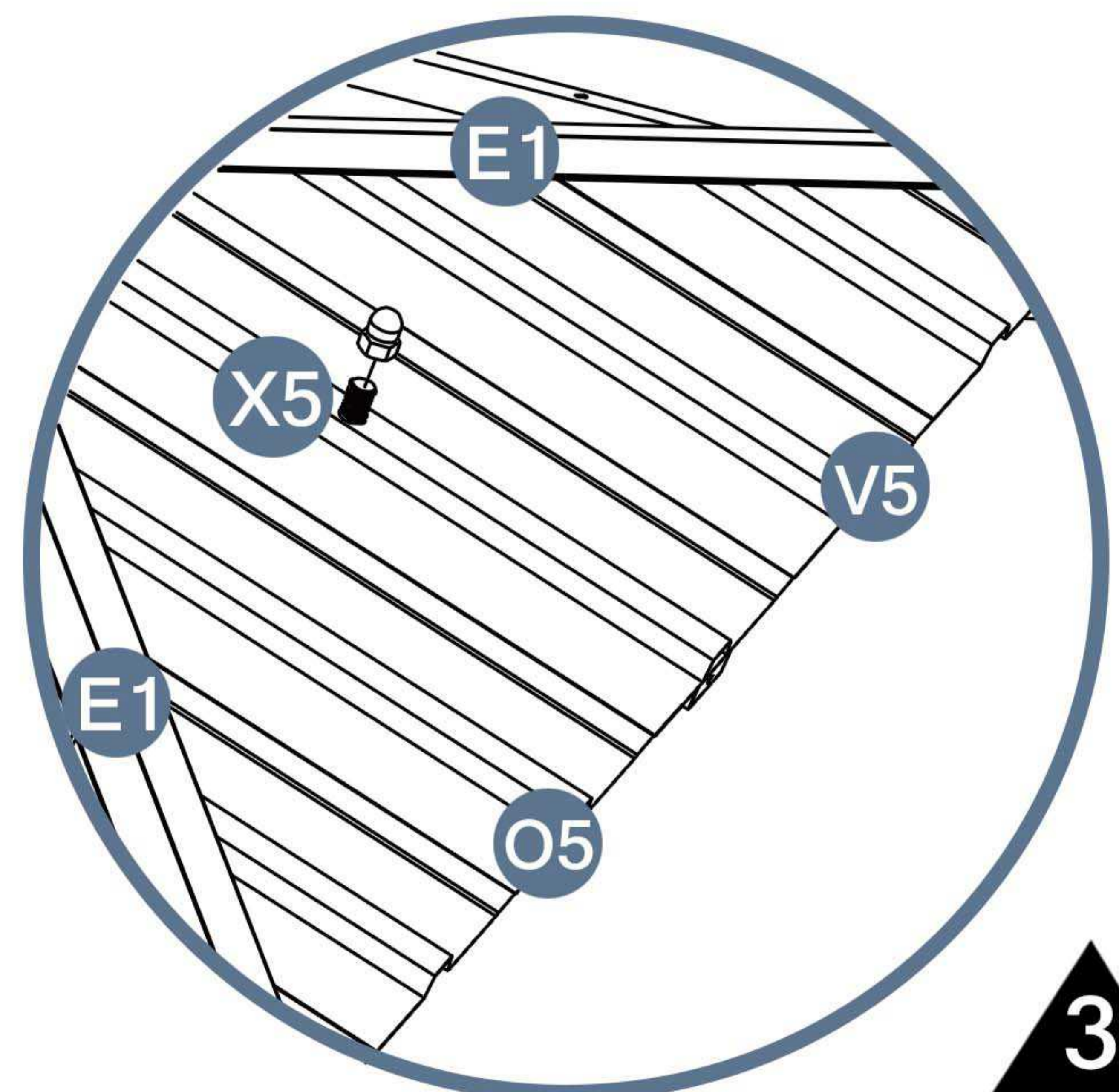
Please refer to the image P1-1 for installation.



1



2



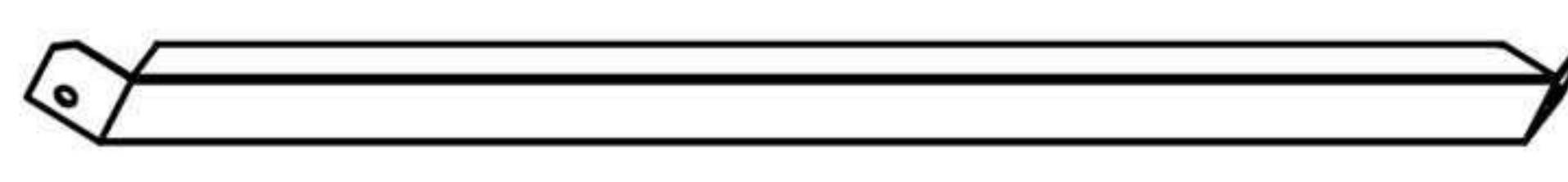
3

Please take care of the screws and contact the after-sales service if there is any problem with the installation or parts.

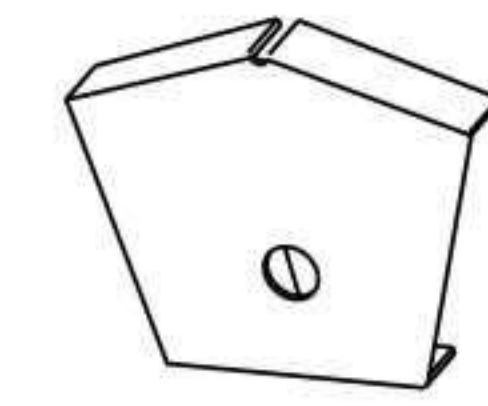
➔ E-mail: [cs.helper01@gmail.com](mailto:cs.helper01@gmail.com)

# STEP 12

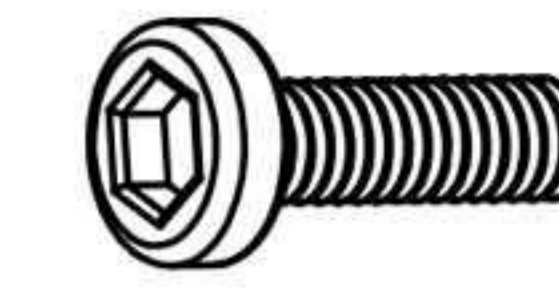
Parts required



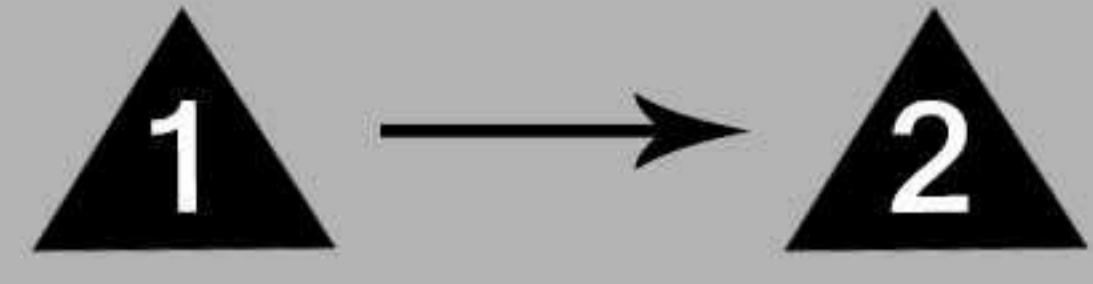
**G5** 4pcs



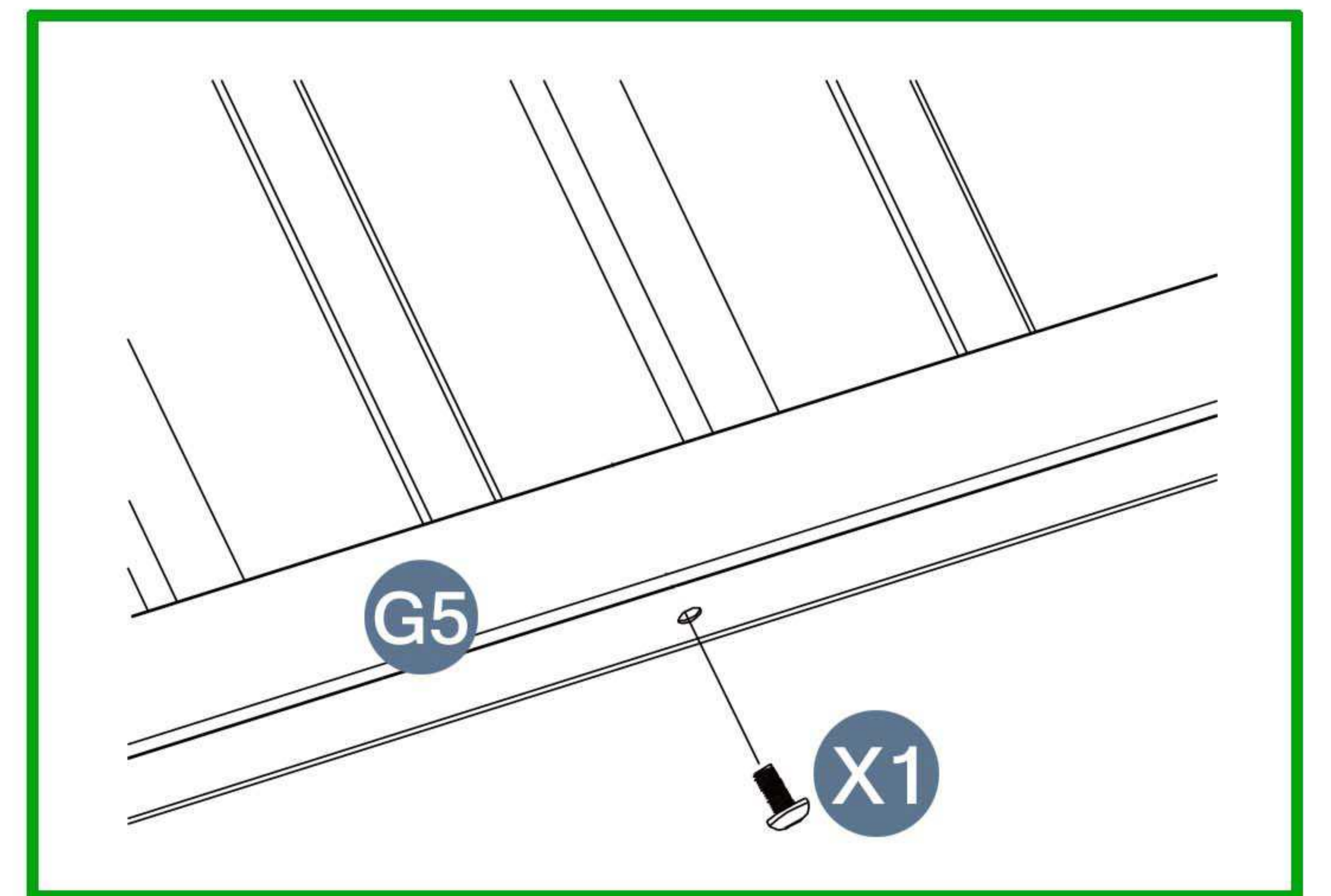
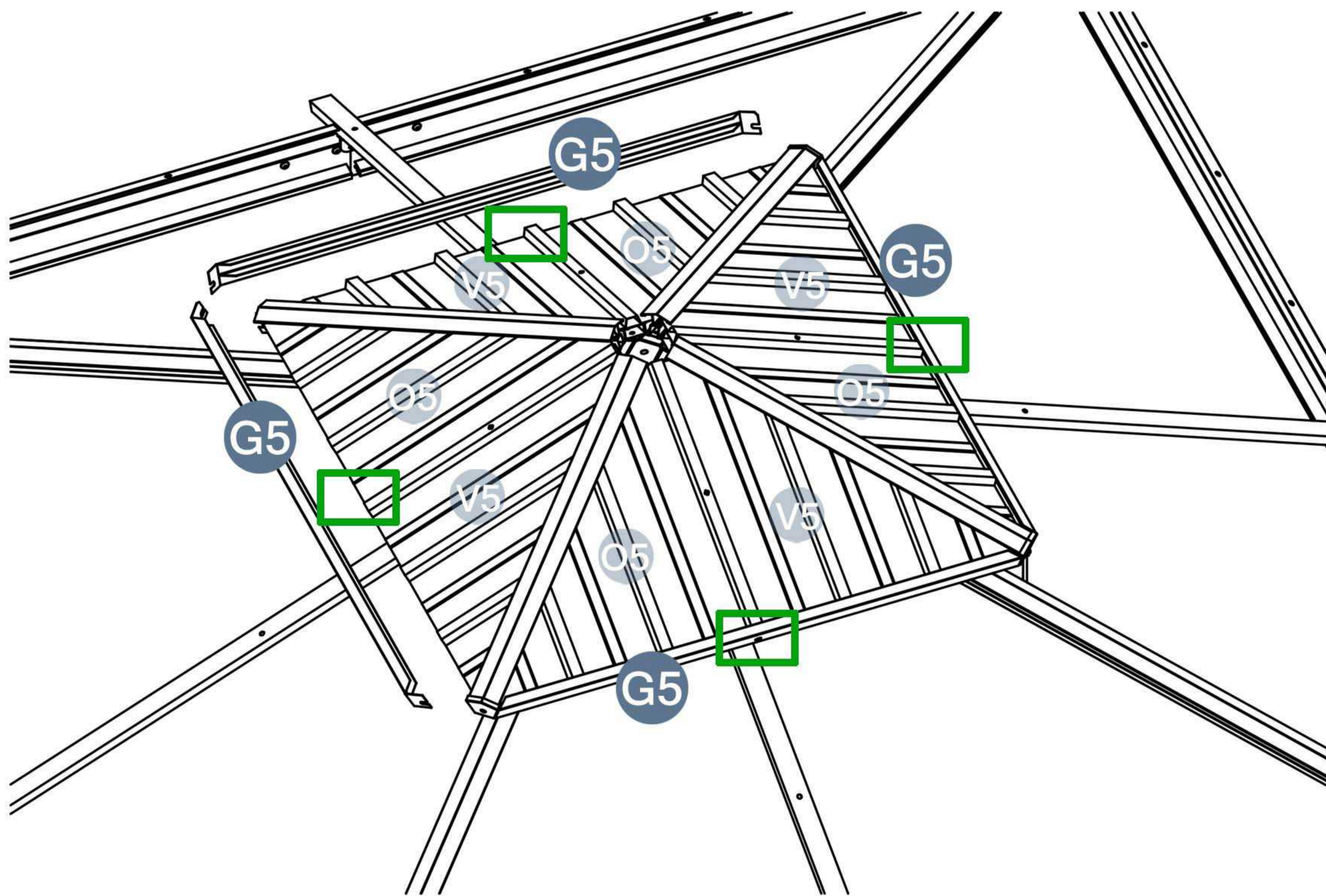
**M2** 4pcs



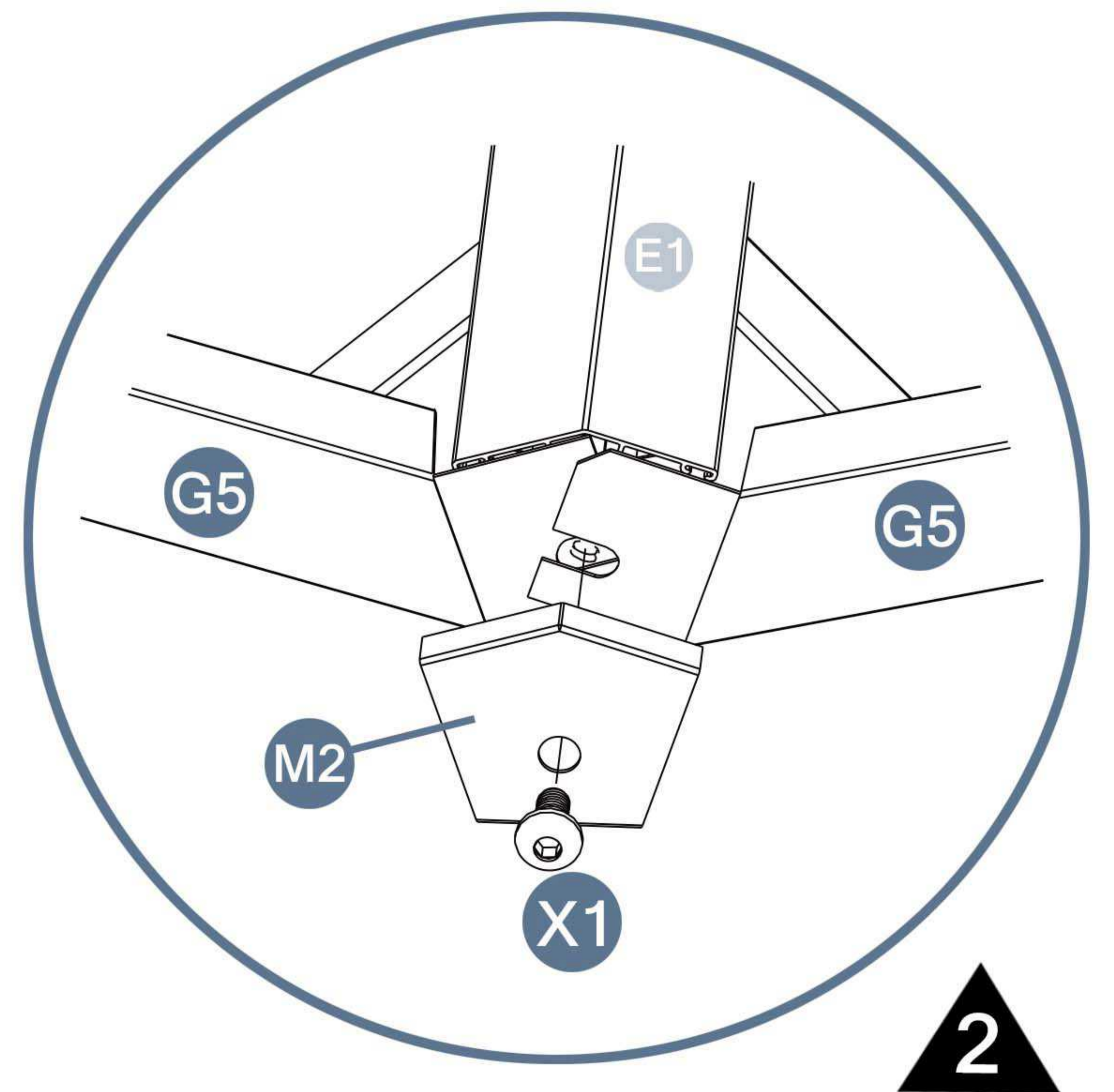
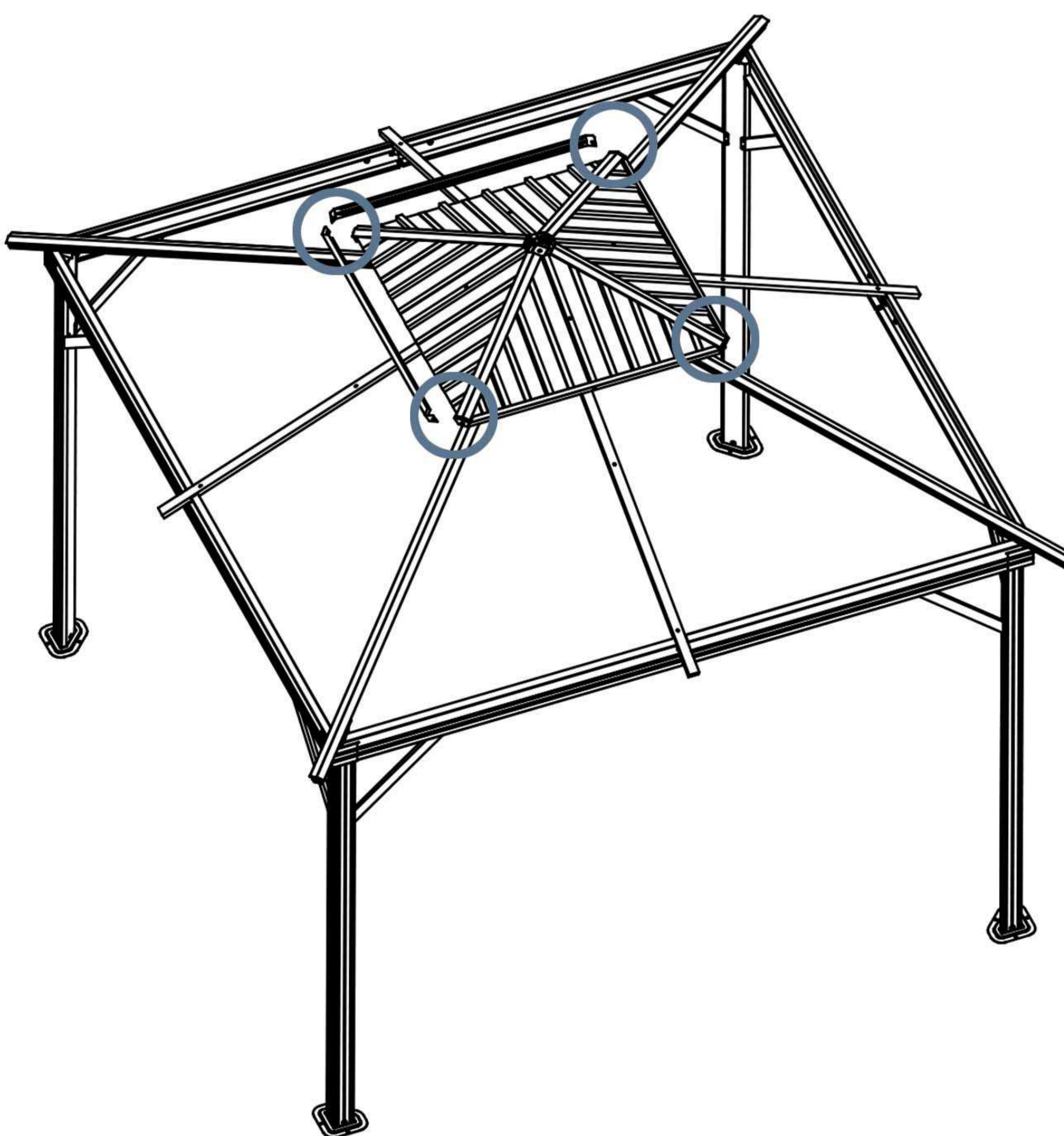
**X1** 8pcs



To better align the screws for practical situations, do not fully tighten screws initially.



X4



X4

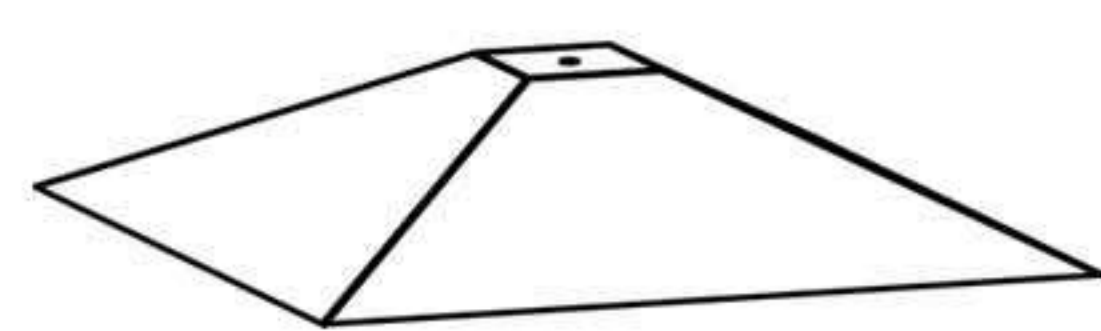


Please take care of the screws and contact the after-sales service if there is any problem with the installation or parts.

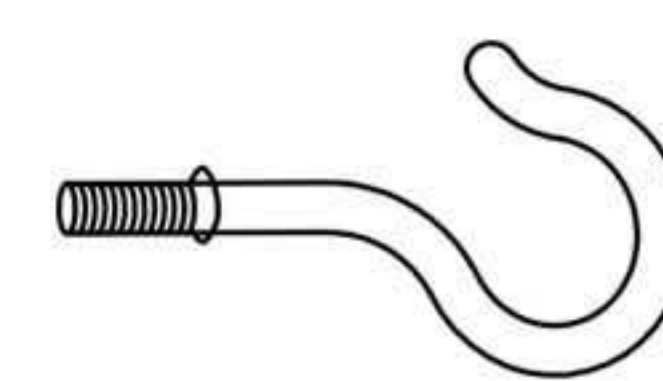


# STEP 13

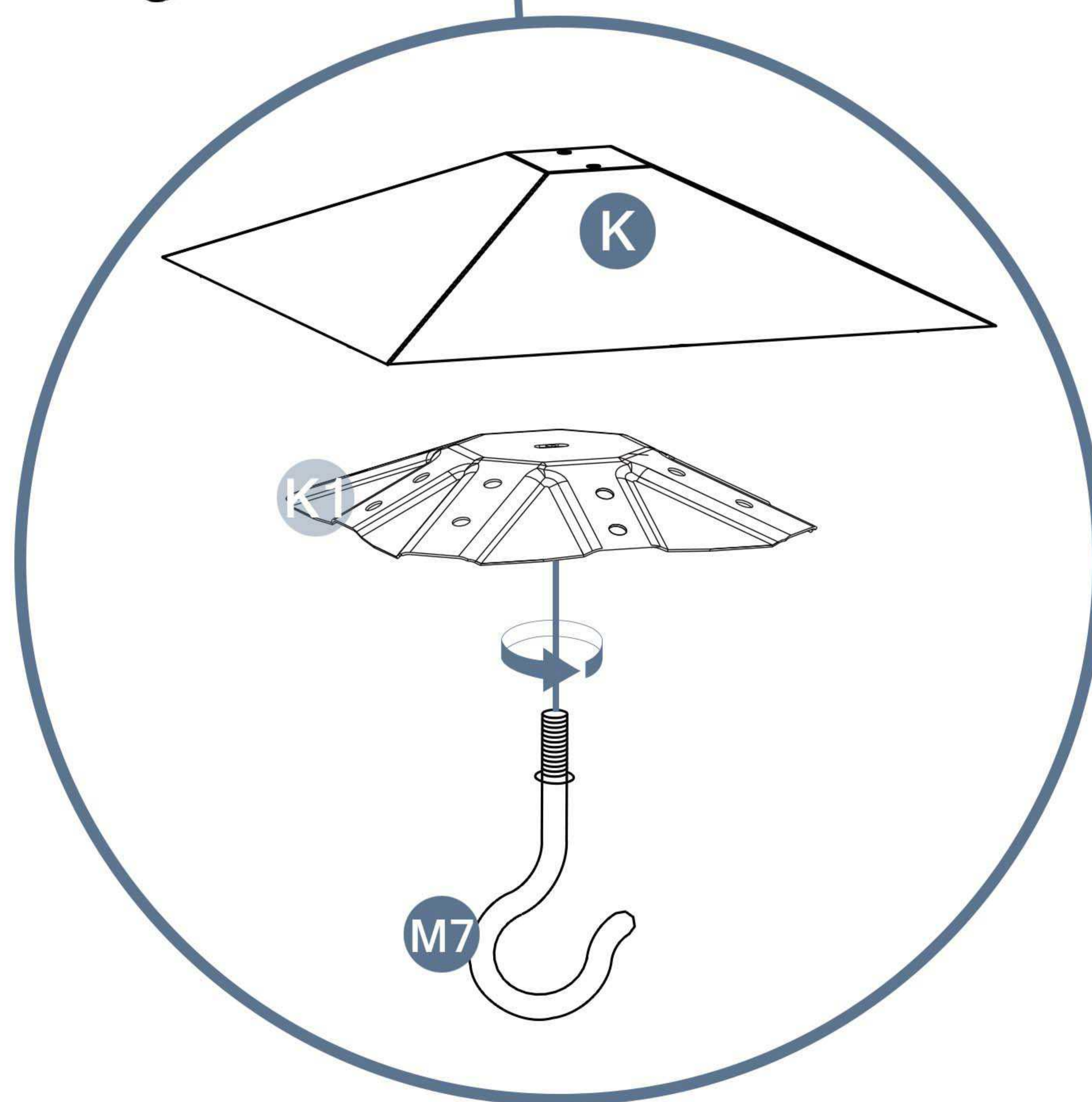
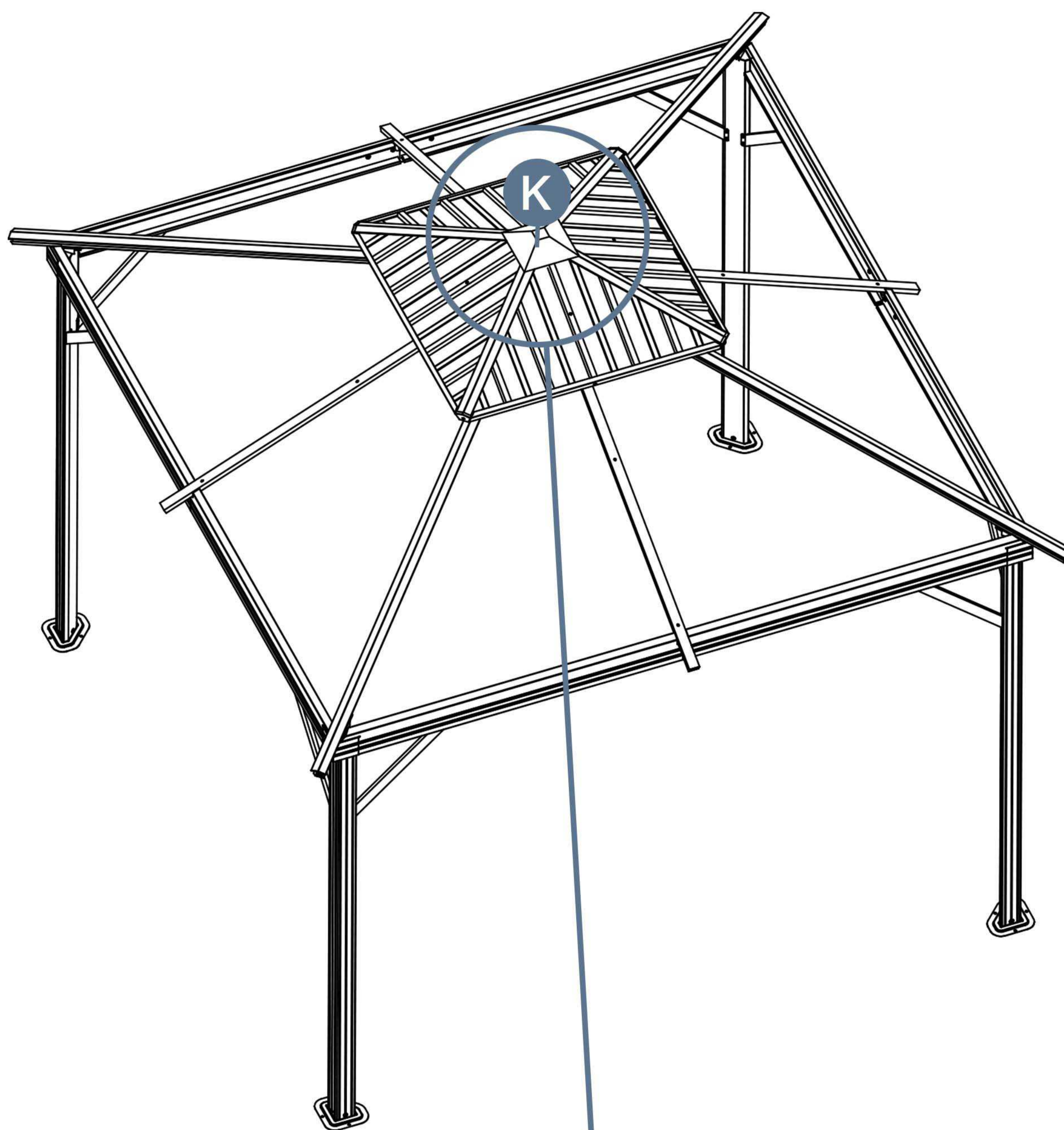
Parts required



**K** 1pcs



**M7** 1pcs

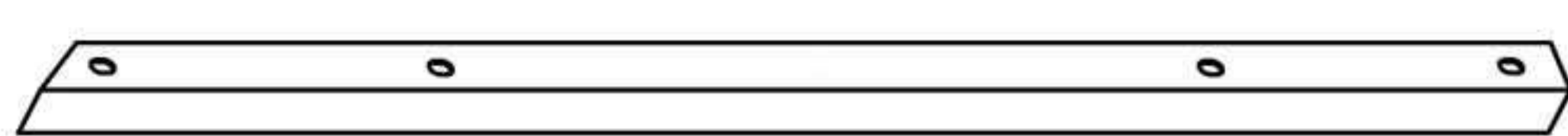


Please take care of the screws and contact the after-sales service if there is any problem with the installation or parts.

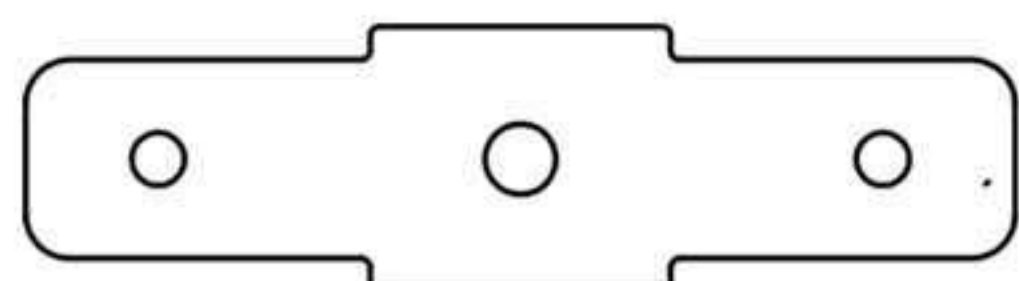
➔ ✉ E-mail: [cs.helper01@gmail.com](mailto:cs.helper01@gmail.com)

# STEP 14

Parts required



I 8pcs

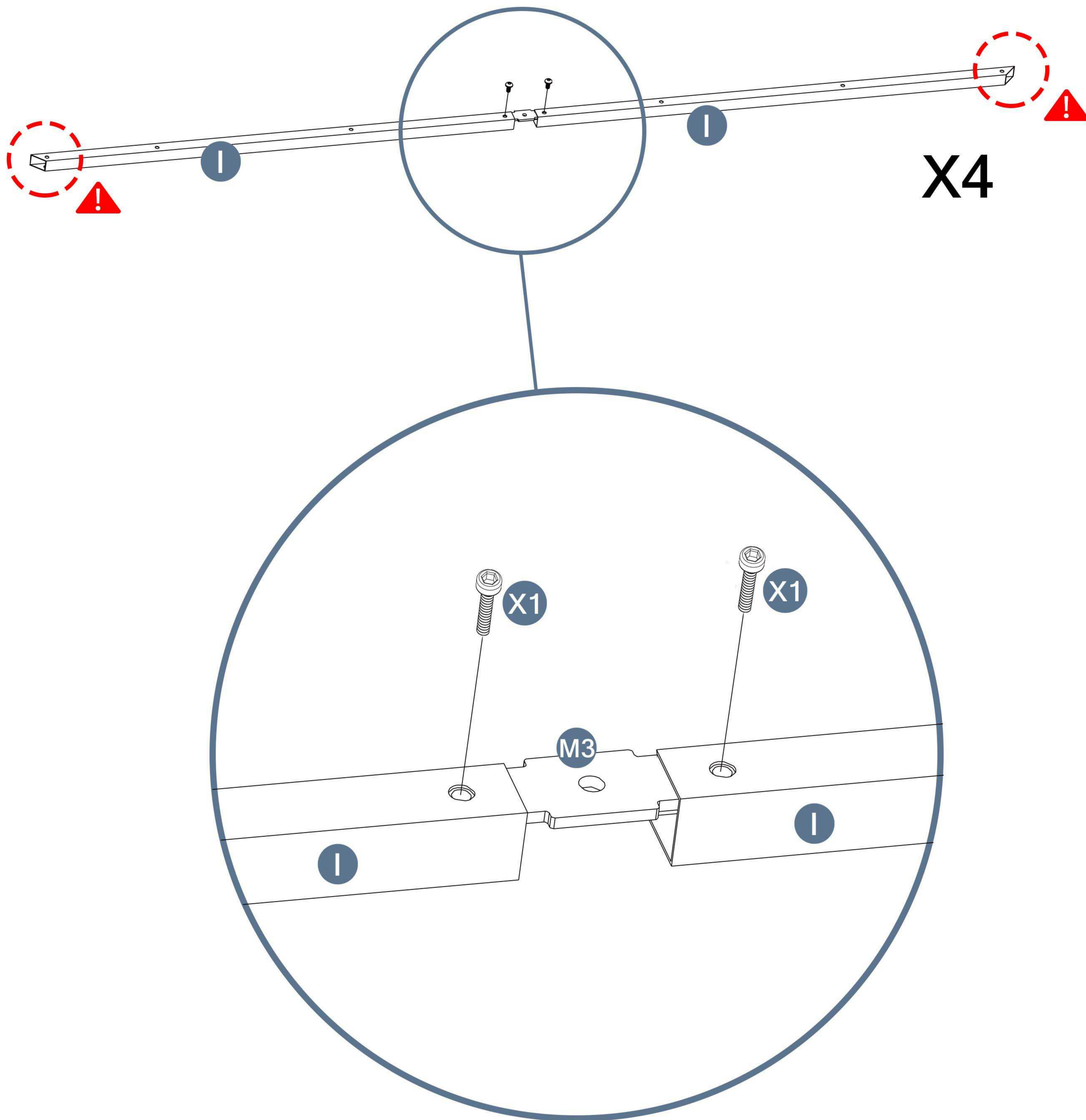


M3 4pcs



X1 8pcs

⚠ Part I should be placed as shown in the picture.



X4

Please take care of the screws and contact the after-sales service if there is any problem with the installation or parts.



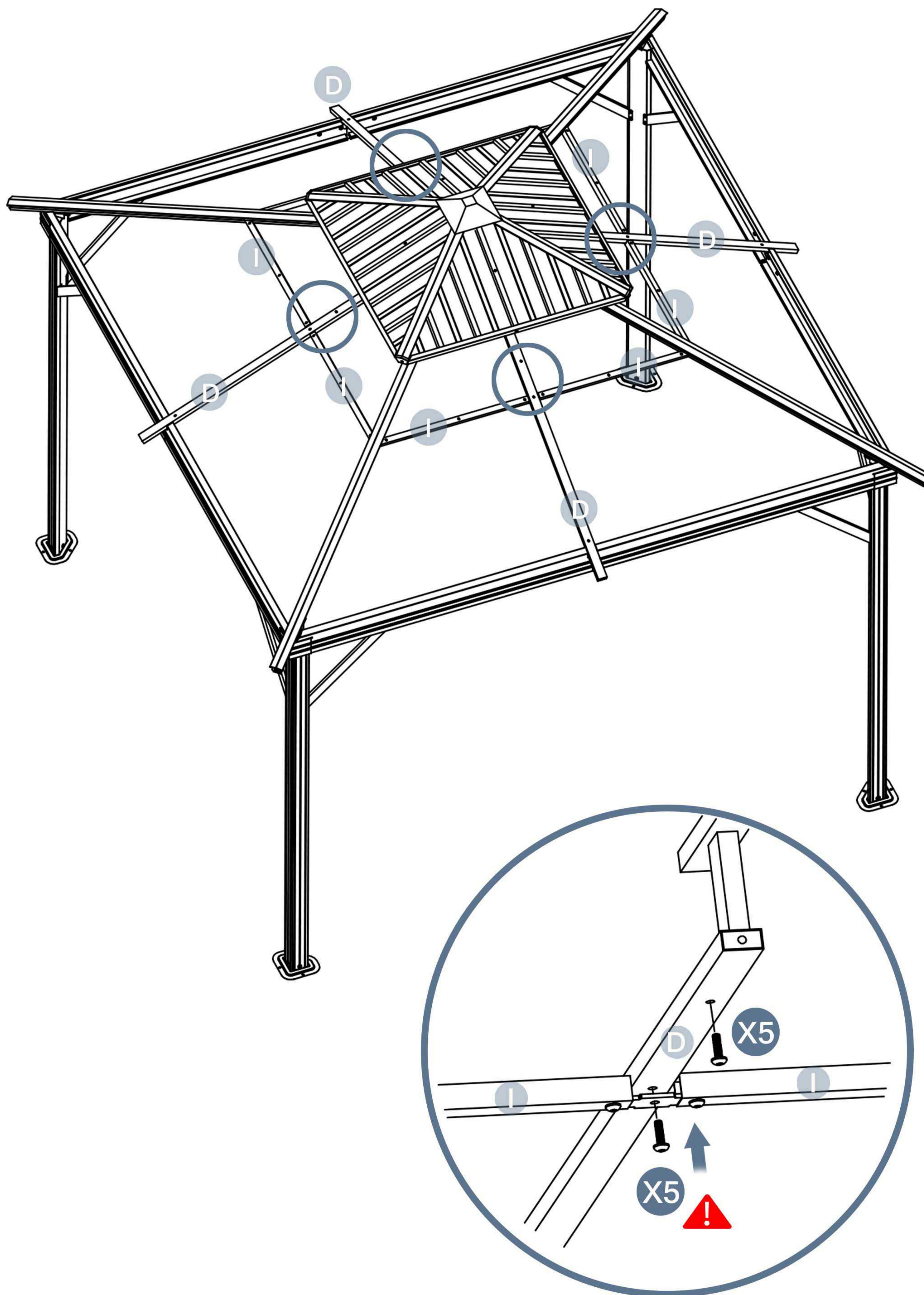
# STEP 15

Parts required



X5 8pcs

 Only X5 screws are used in this step. Please hide the X5 nuts. Step 18 will be used.

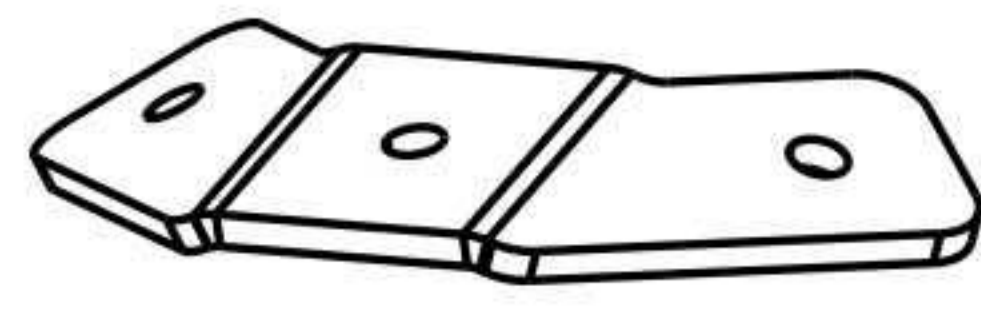


Please take care of the screws and contact the after-sales service if there is any problem with the installation or parts.

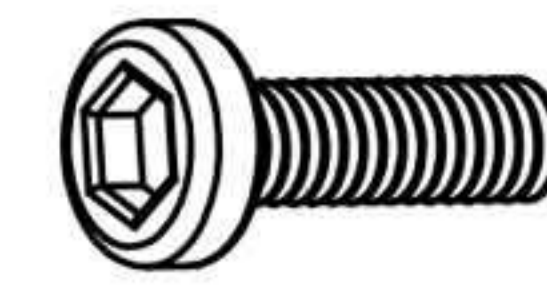
  E-mail: [cs.helper01@gmail.com](mailto:cs.helper01@gmail.com)

# STEP 16

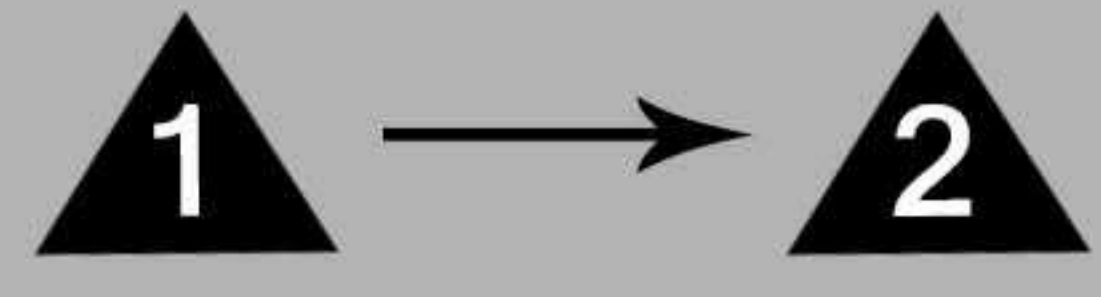
Parts required



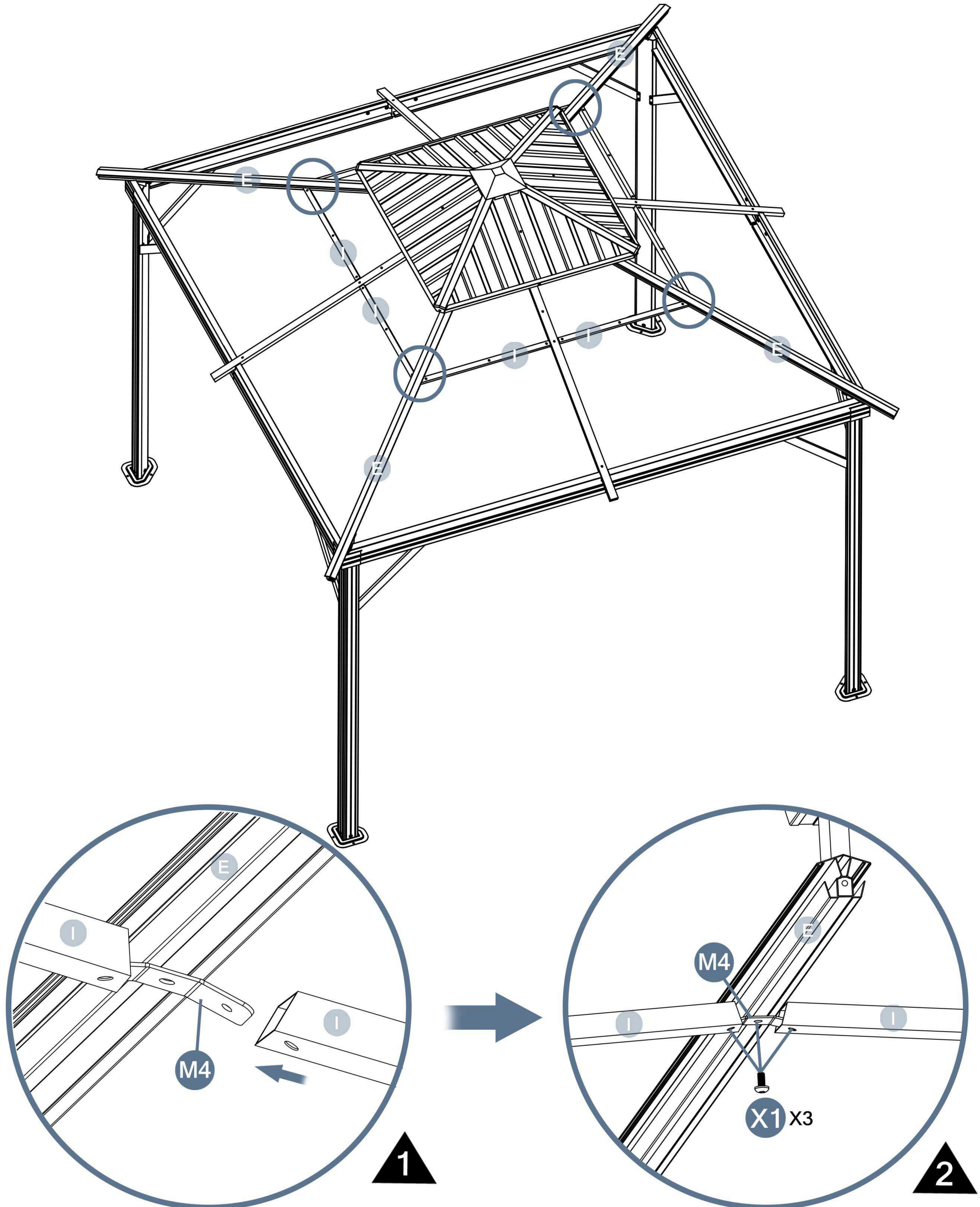
M4 4pcs



X1 12pcs



To better align the screws for practical situations, do not fully tighten screws initially.

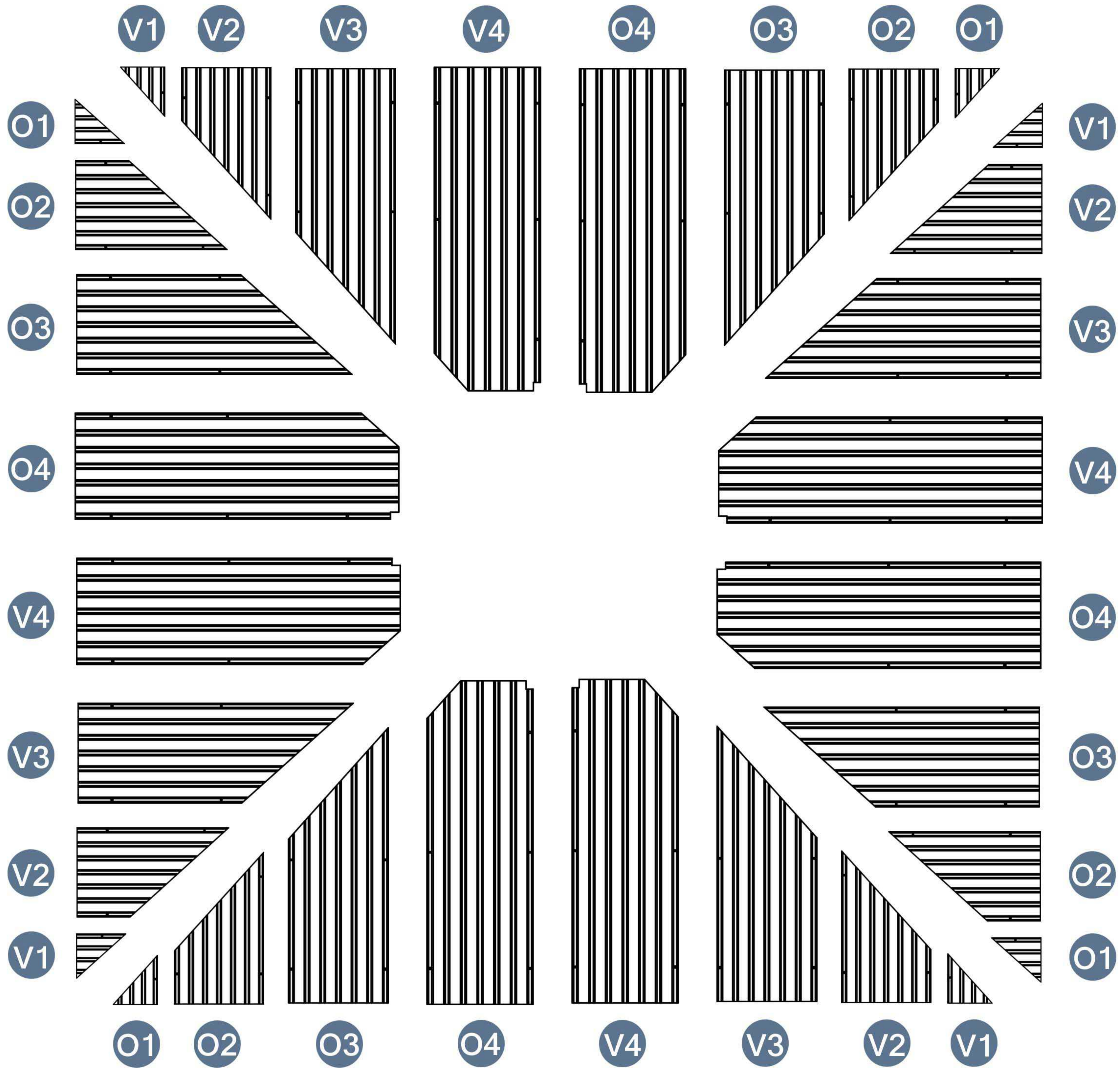
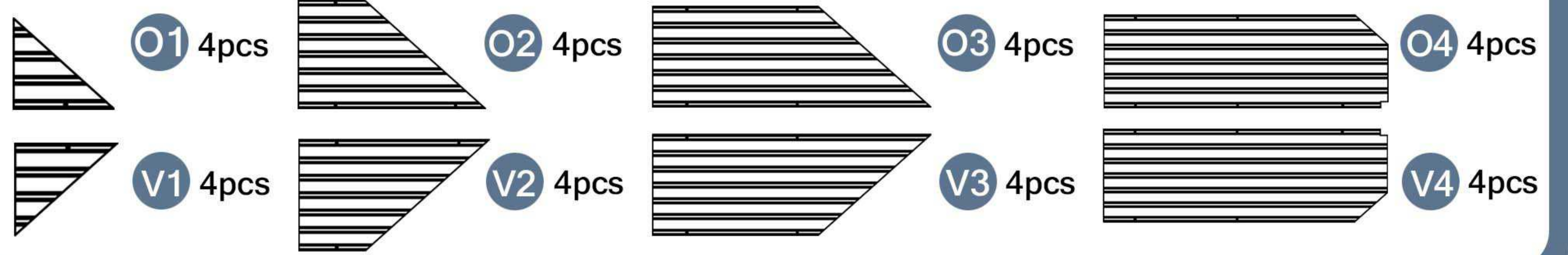


Please take care of the screws and contact the after-sales service if there is any problem with the installation or parts.



# STEP 17

Parts required



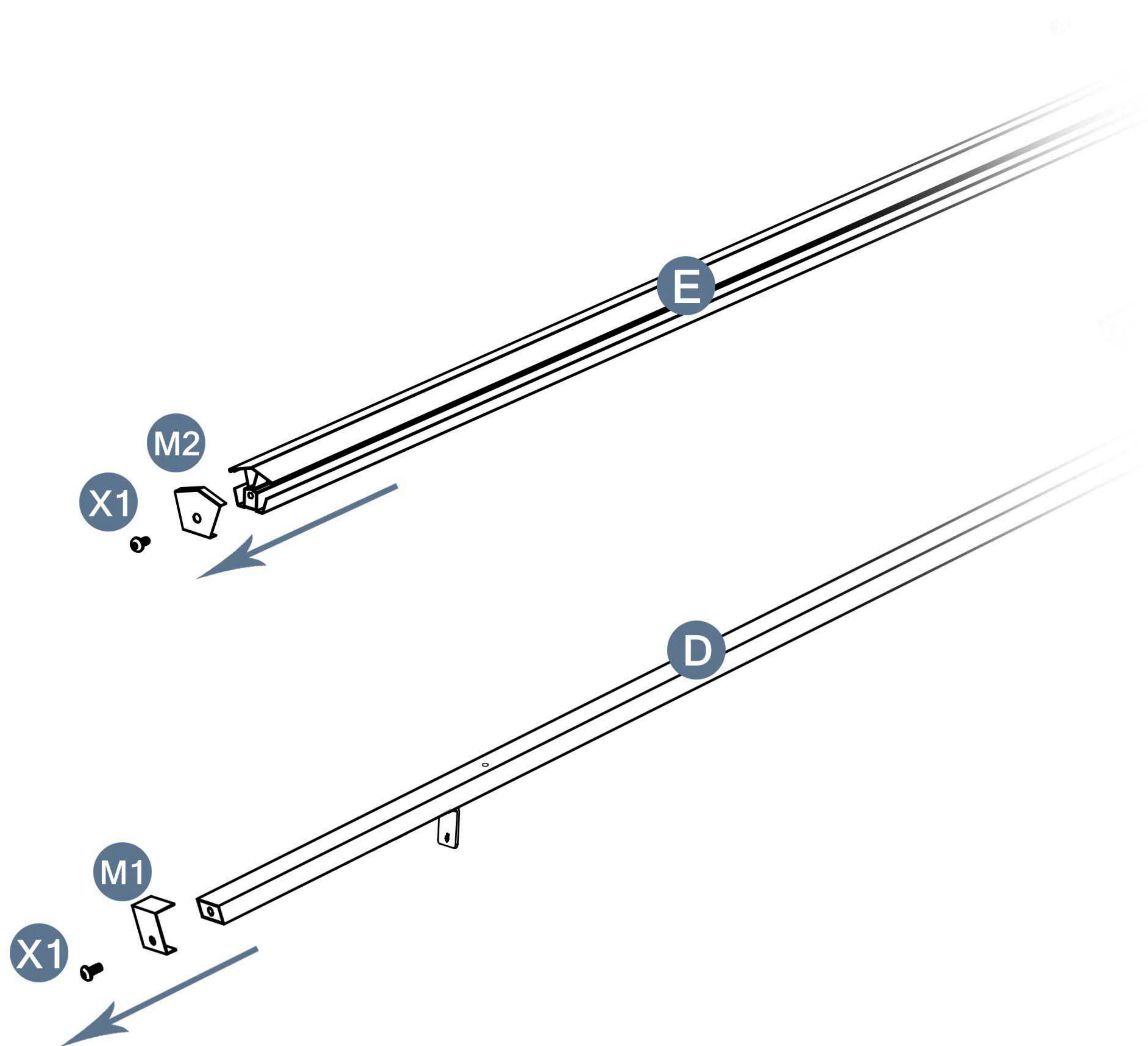
Place the accessories as shown in the figure for easy installation.

Please take care of the screws and contact the after-sales service if there is any problem with the installation or parts.

➔ ✉ E-mail: [cs.helper01@gmail.com](mailto:cs.helper01@gmail.com)

To prevent the loss of M2 and M1  
we mounted the M2 and M1 on top of the E and D ahead of time

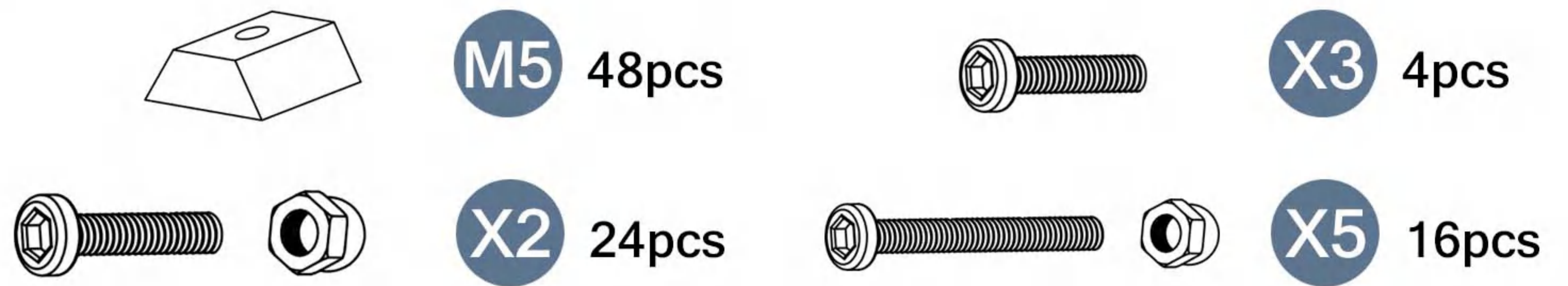
Before installing step 18, please remove the 4 M2's  
and 4 M1's from the part E and D. (Reinstall them during step 19 and step 20) .



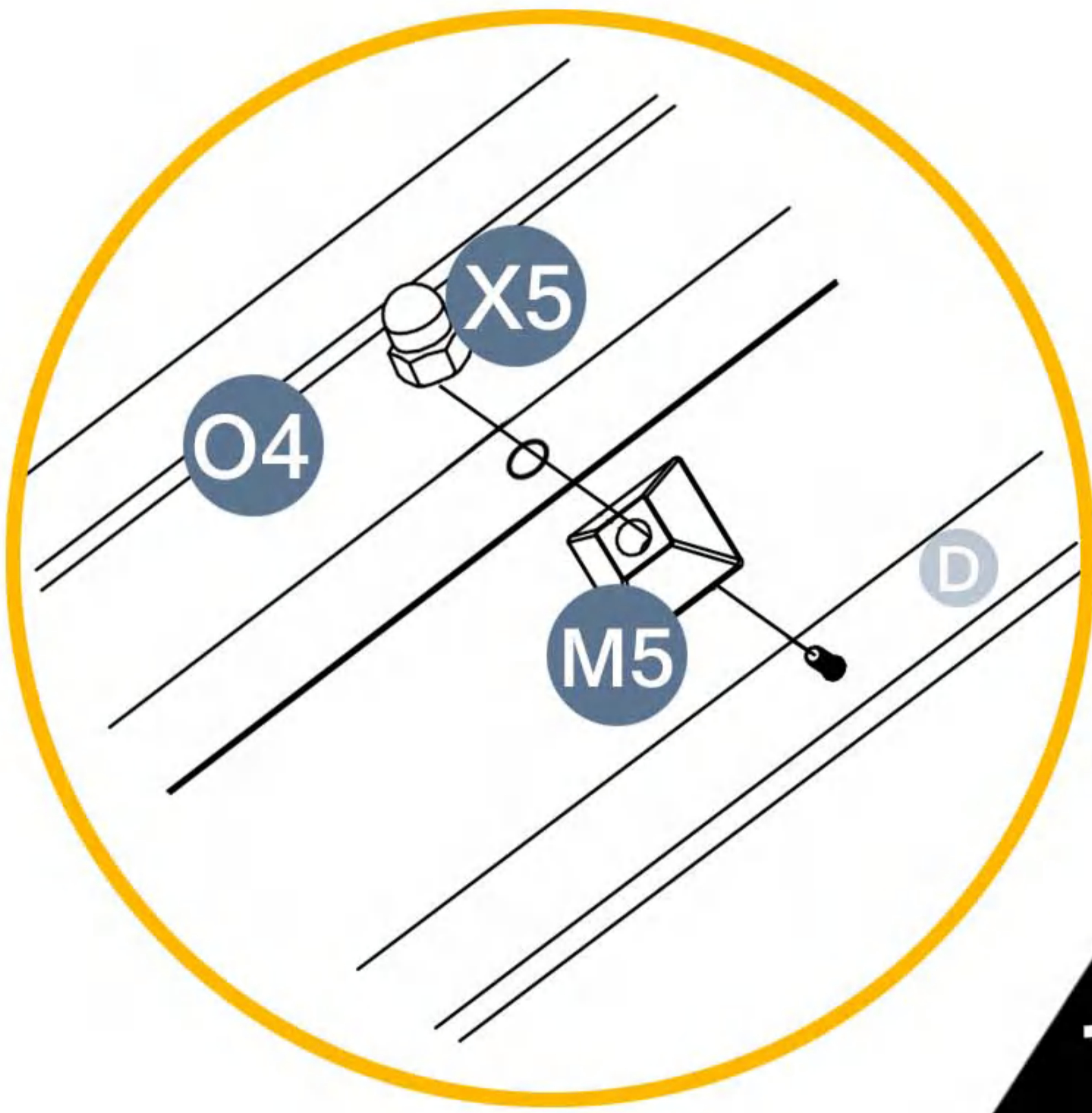
Please take care of the screws and contact the after-sales service if there is any problem with the installation or parts.

# STEP 18

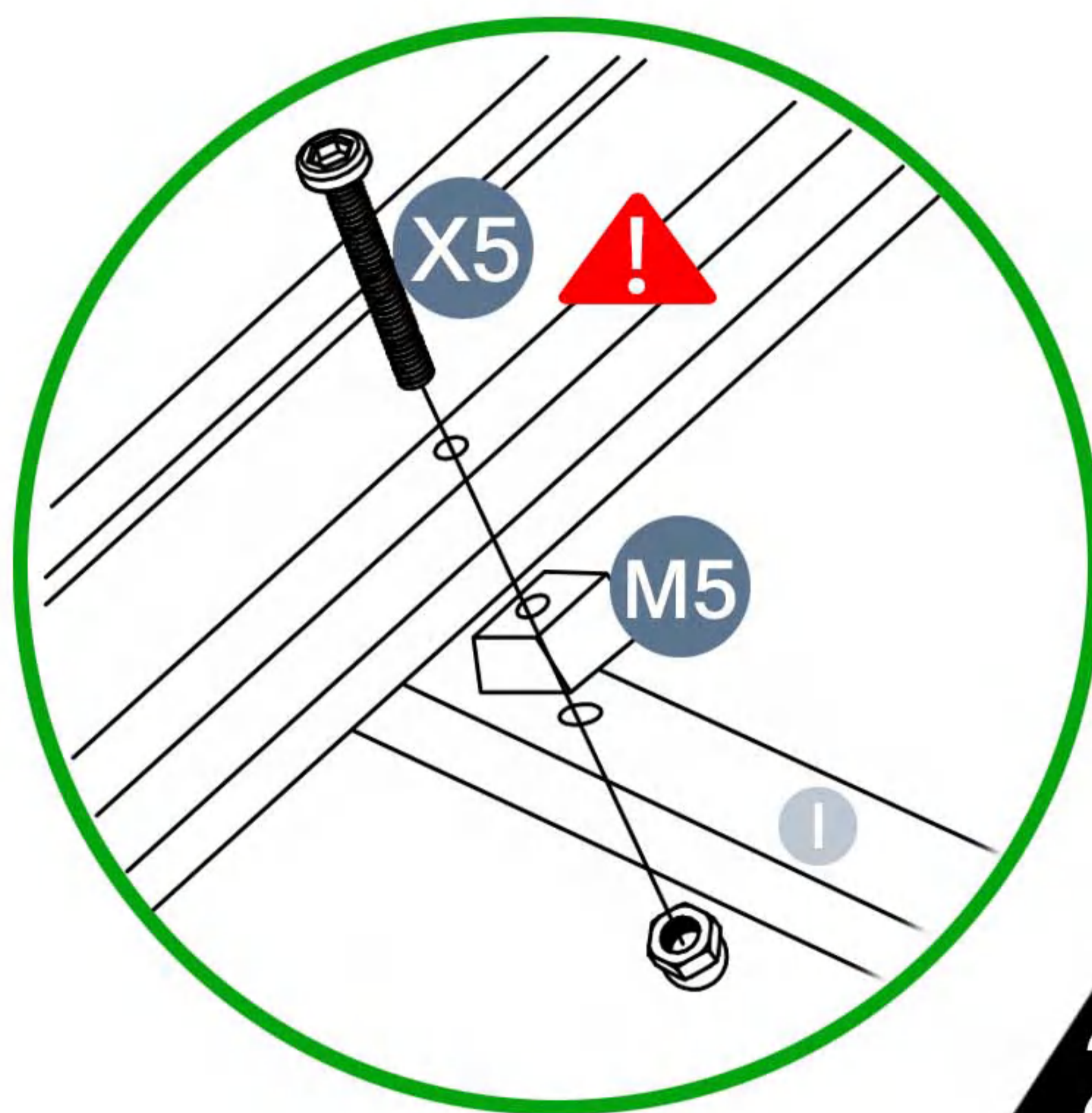
Parts required



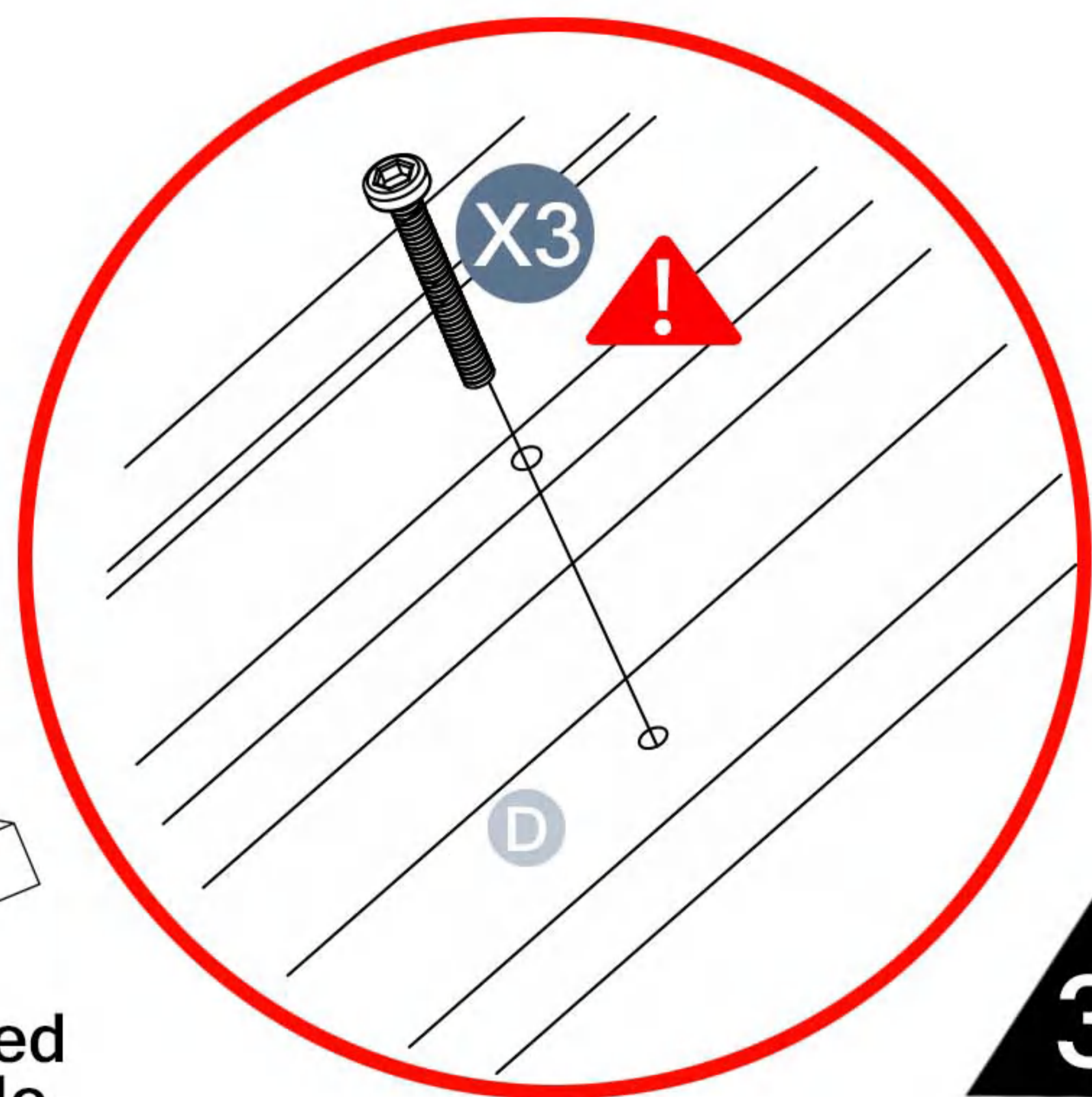
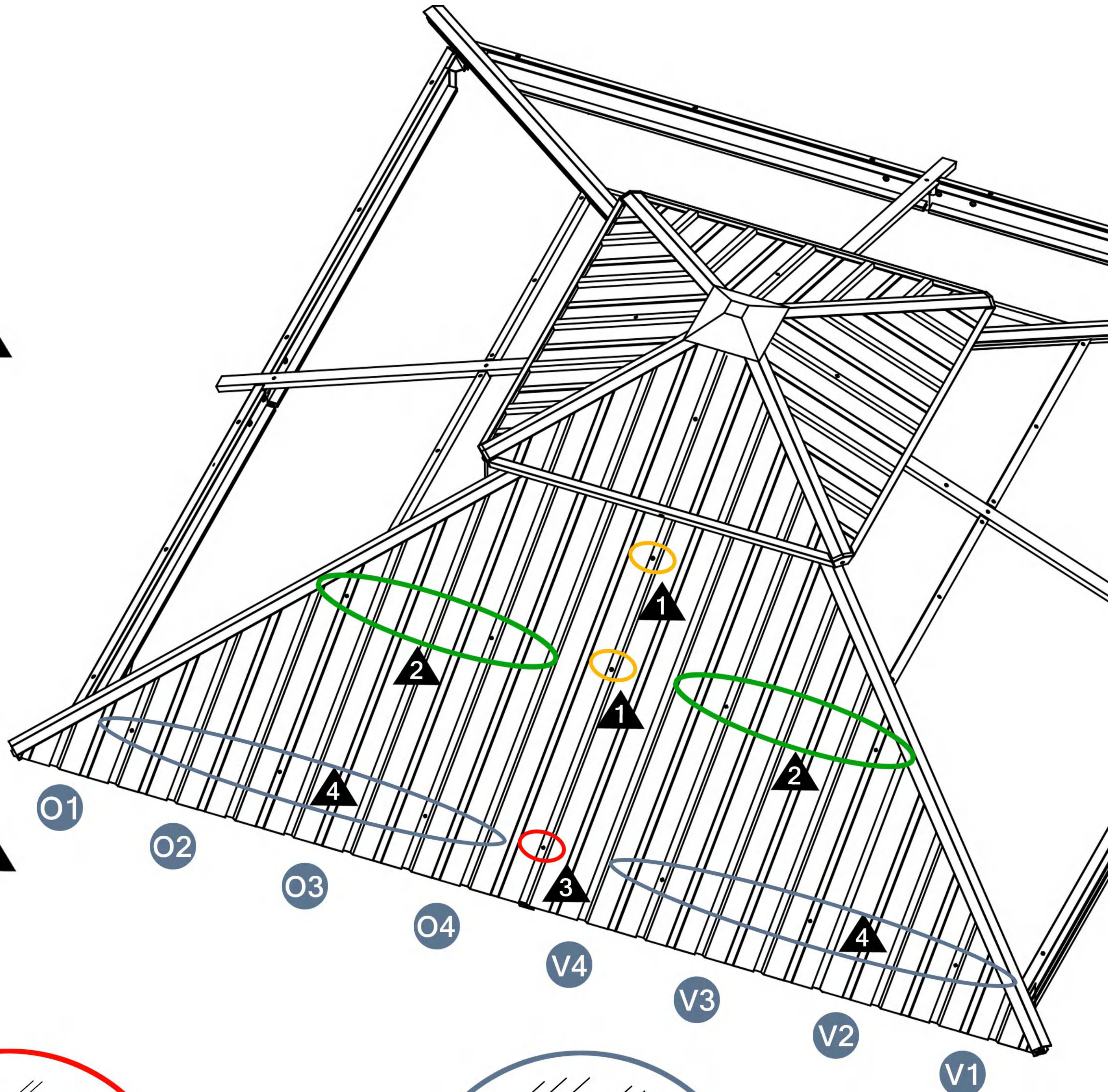
**!** Pay attention to the type of screw and the installation direction.



**1**

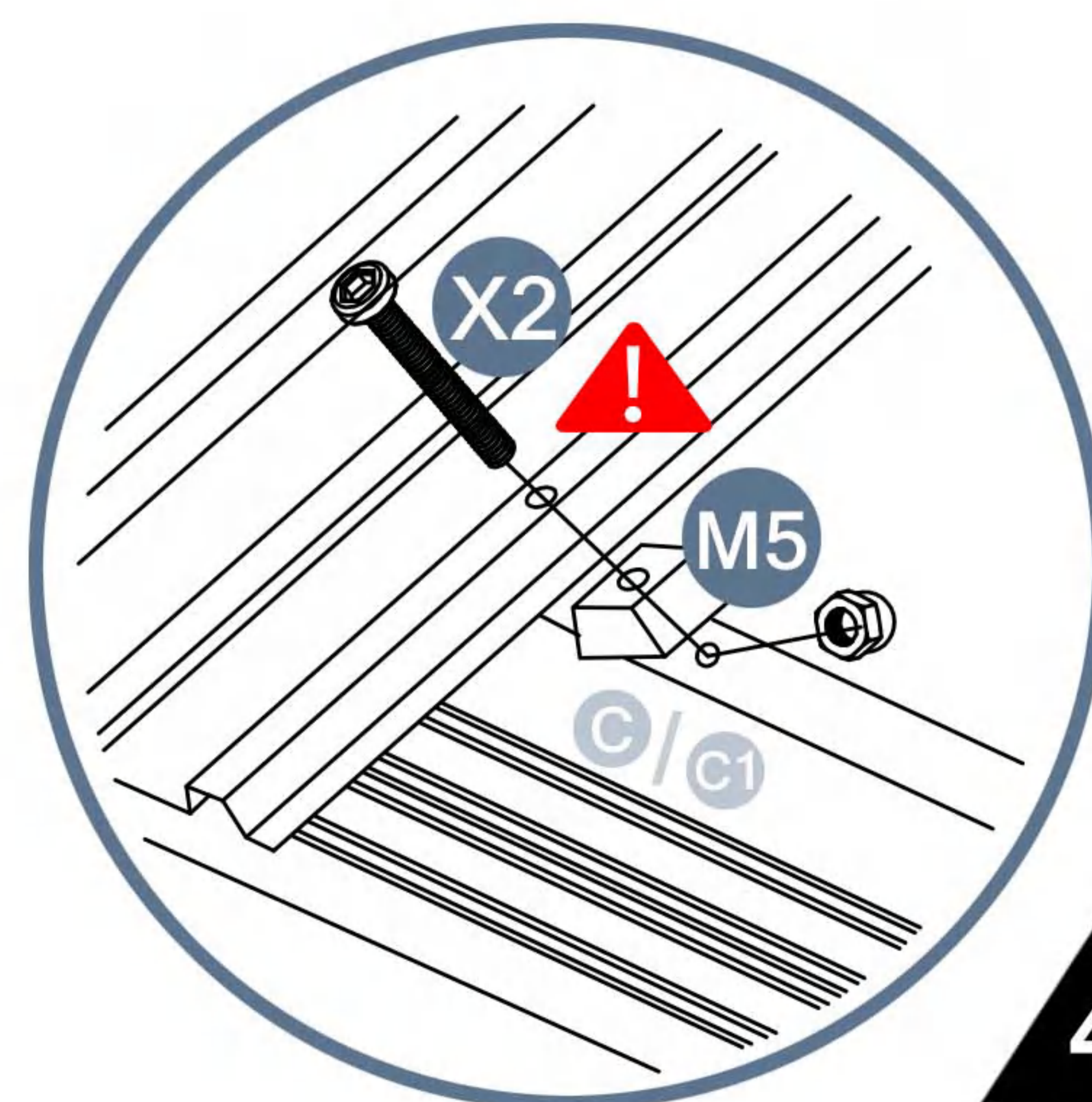


**2**



**3**

M5 is not needed in the red circle.



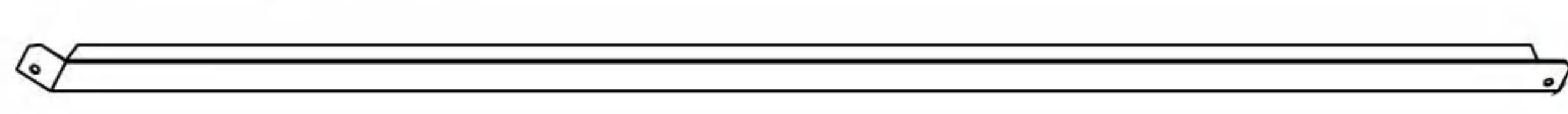
**4**

Please take care of the screws and contact the after-sales service if there is any problem with the installation or parts.

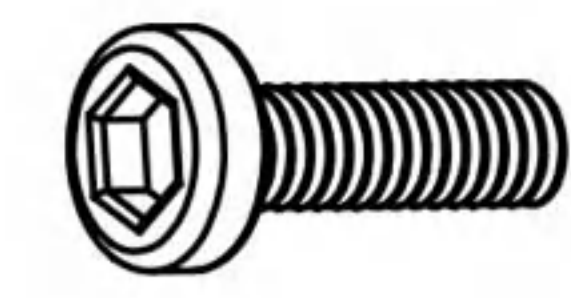
➔ E-mail: [cs.helper01@gmail.com](mailto:cs.helper01@gmail.com)

# STEP 19

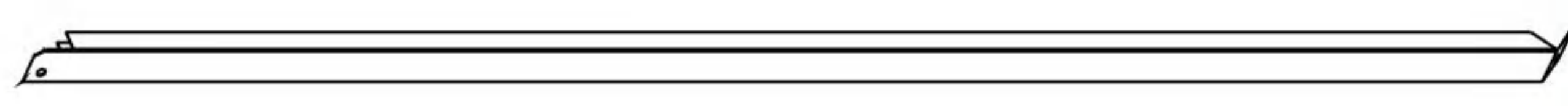
Parts required



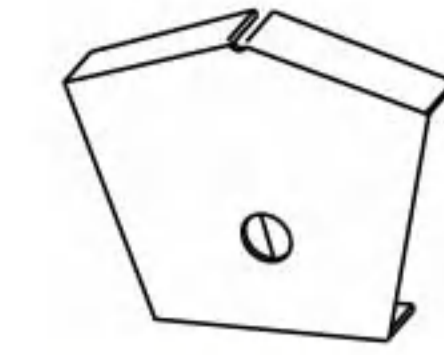
G1 4pcs



X1 4pcs



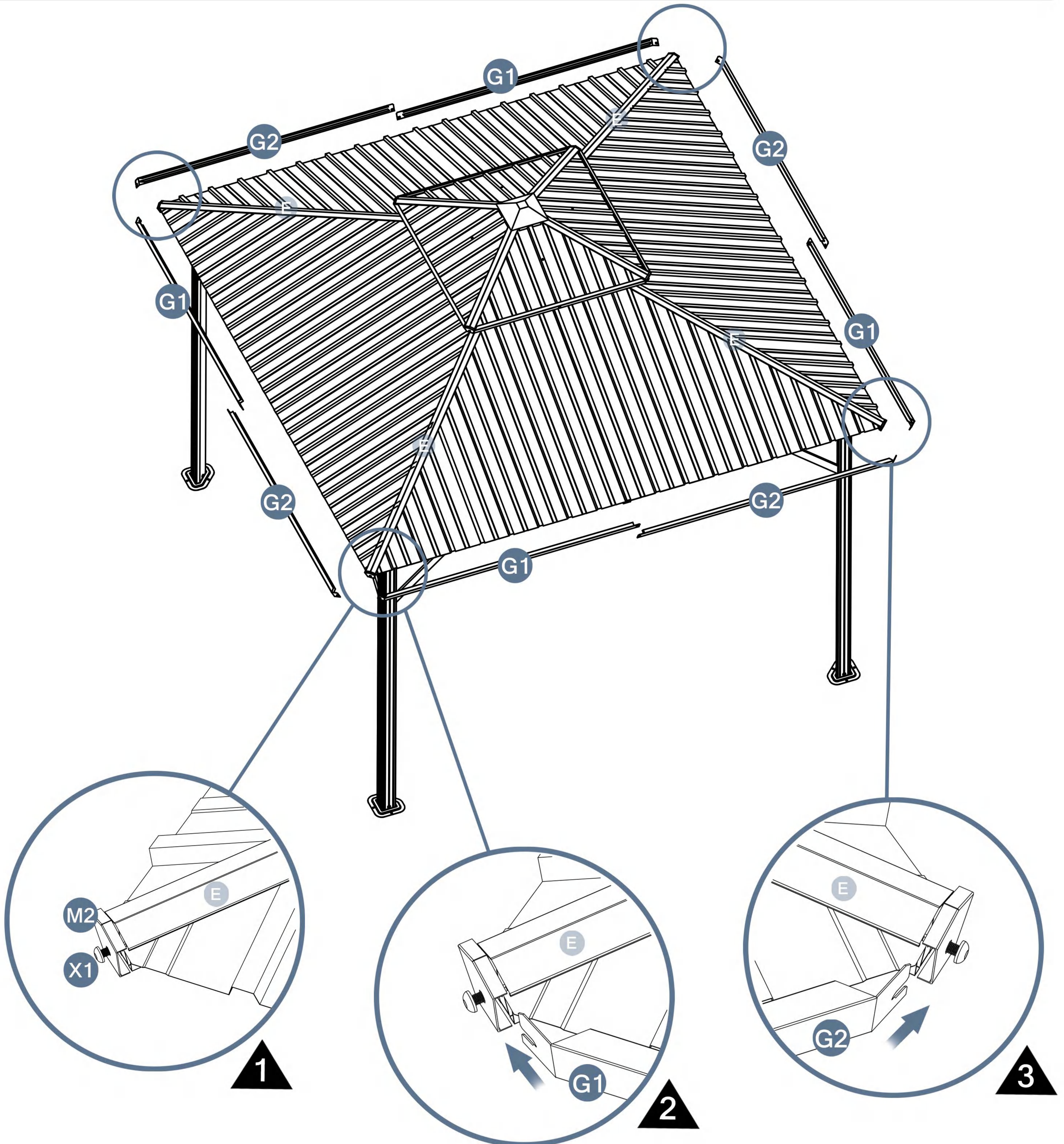
G2 4pcs



M2 4pcs



To better align the screws for practical situations, do not fully tighten screws initially.



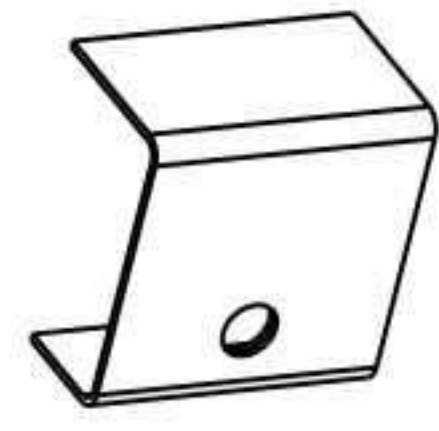
Please take care of the screws and contact the after-sales service if there is any problem with the installation or parts.



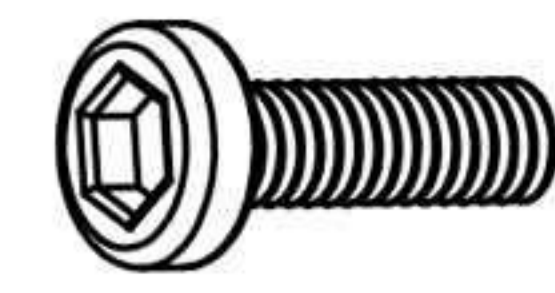
E-mail: [cs.helper01@gmail.com](mailto:cs.helper01@gmail.com)

# STEP 20

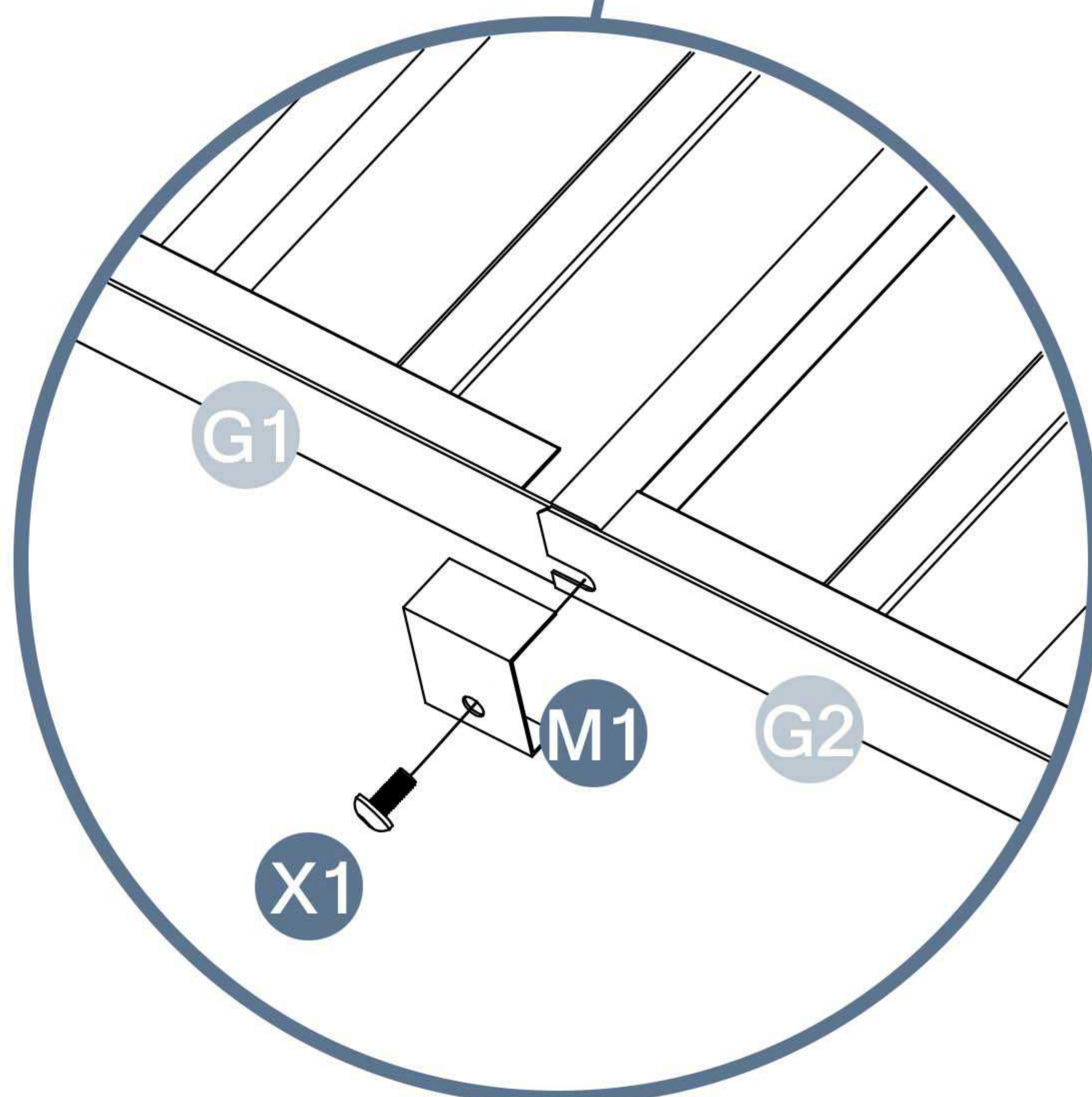
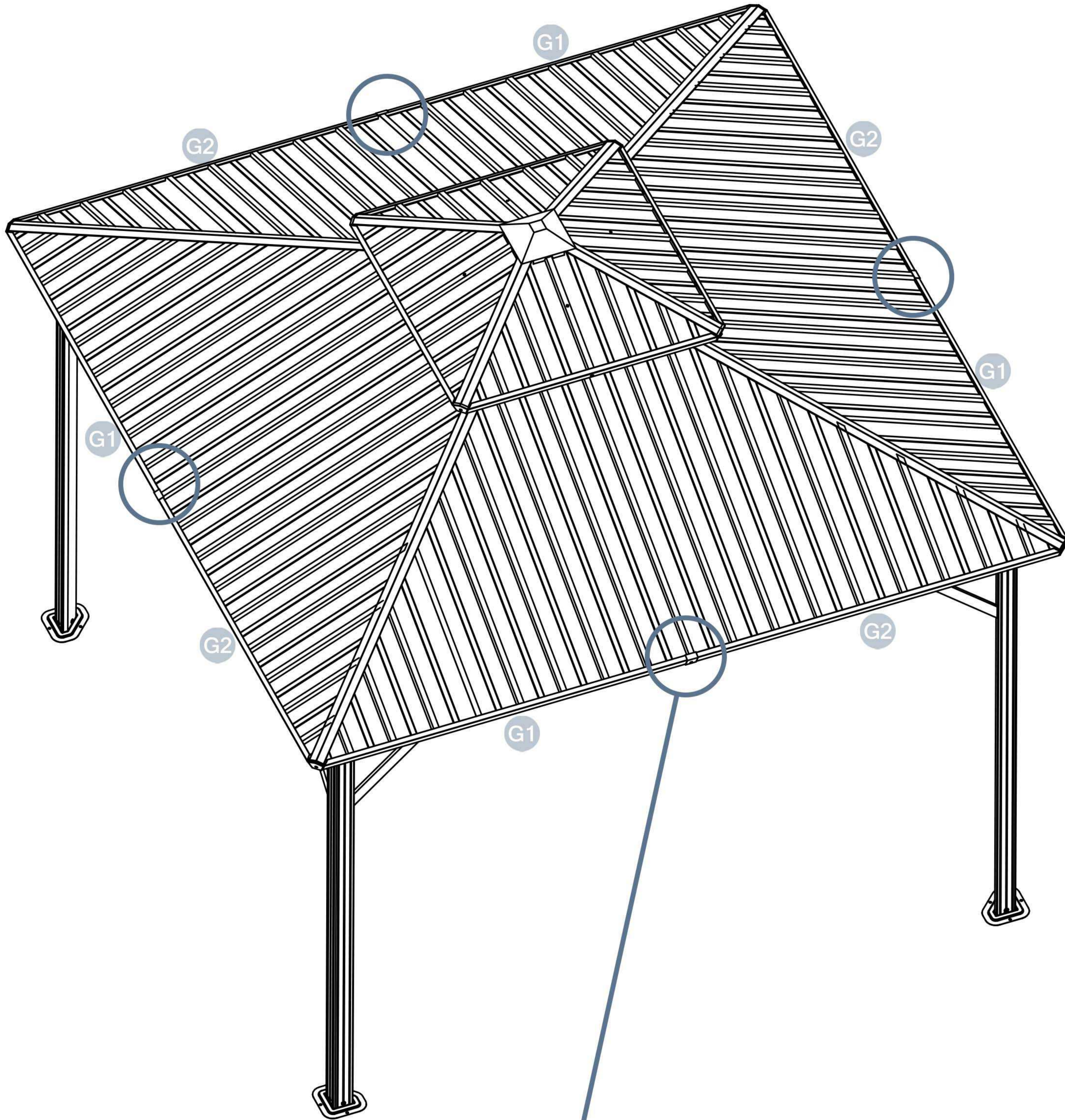
Parts required



M1 4pcs



X1 4pcs



X4

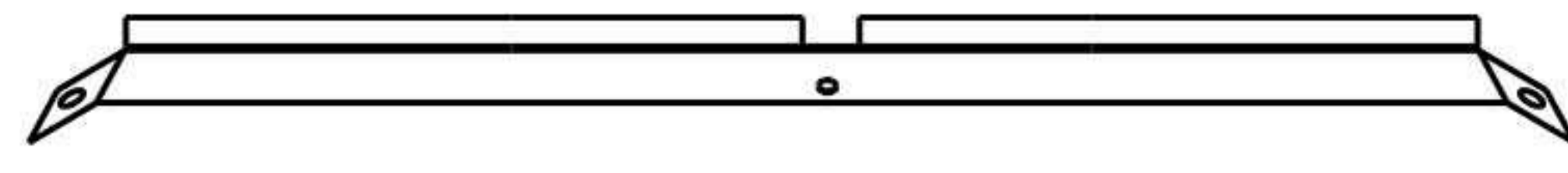
Please take care of the screws and contact the after-sales service if there is any problem with the installation or parts.



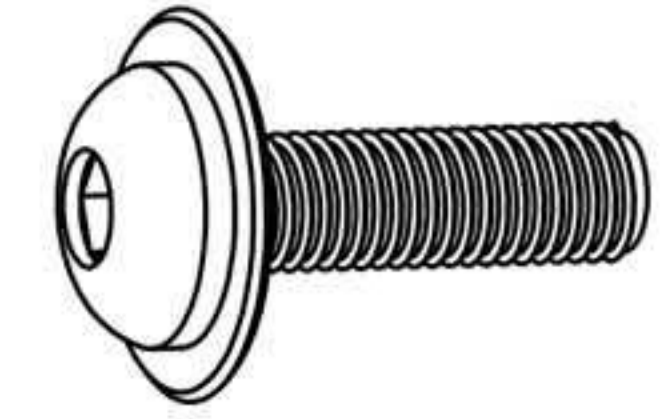
E-mail: [cs.helper01@gmail.com](mailto:cs.helper01@gmail.com)

# STEP 21

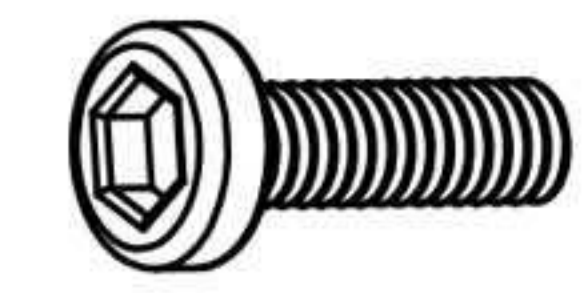
Parts required



G8 4pcs



X6 4pcs

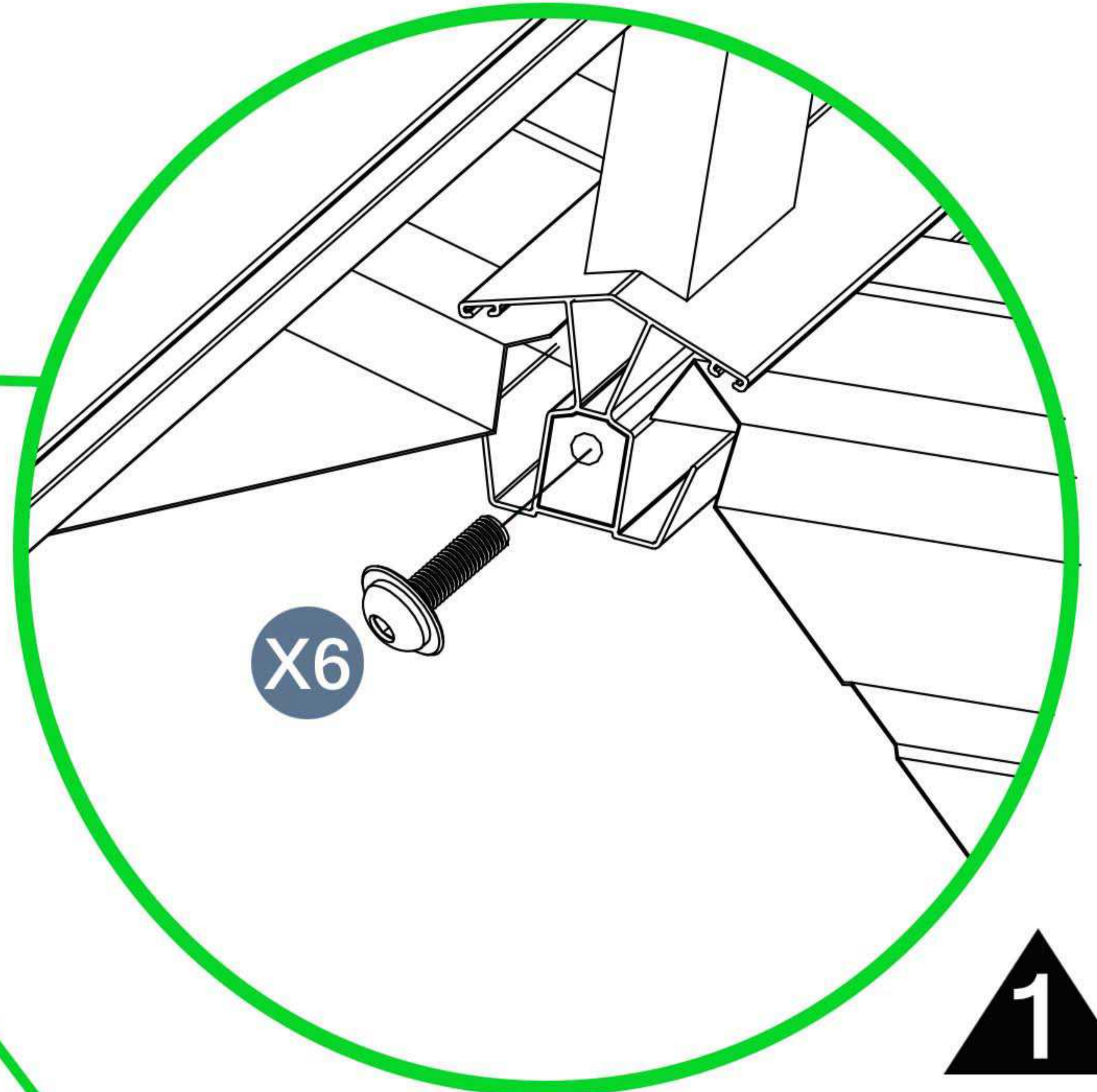
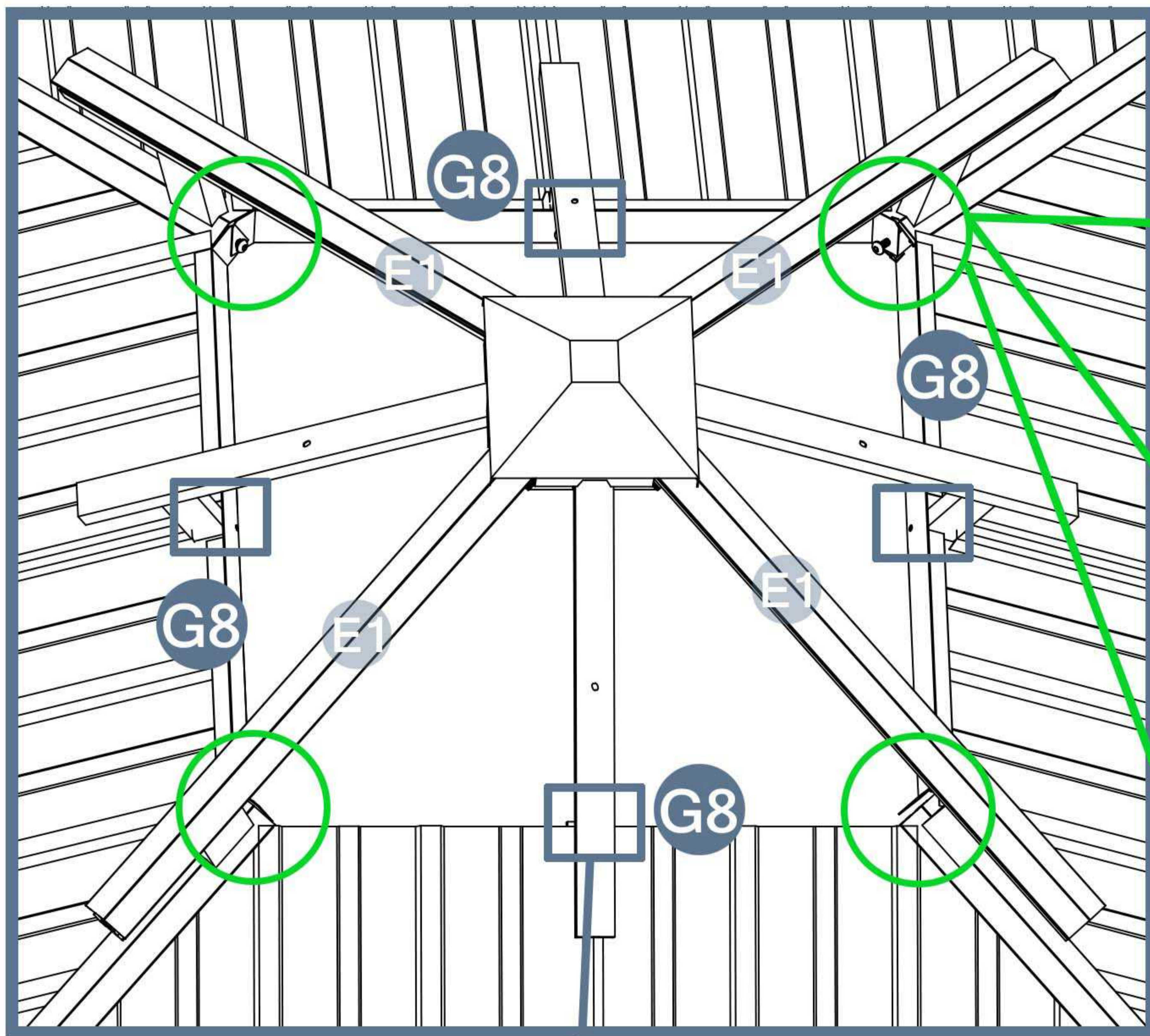


X1 4pcs

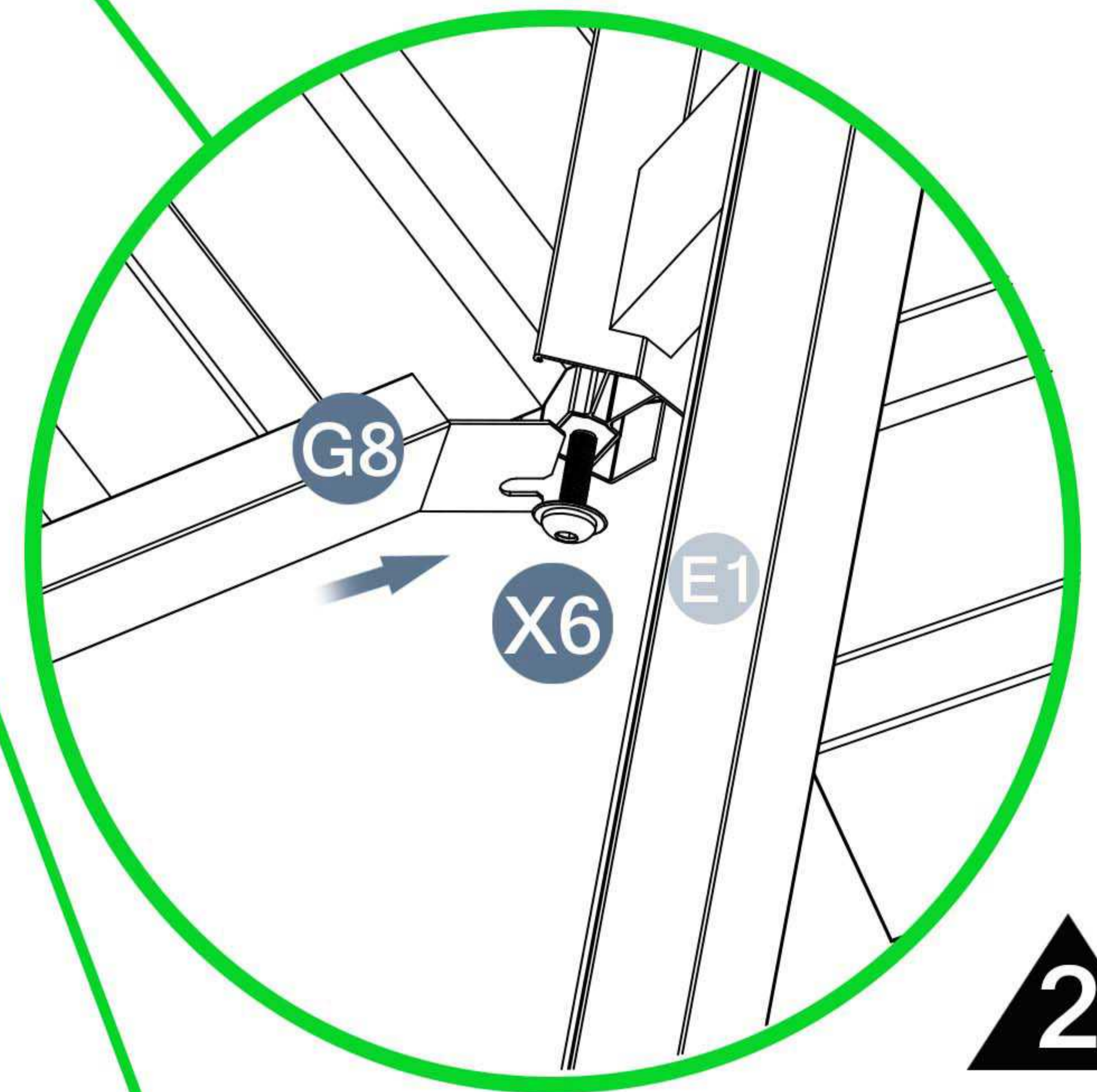


It can be installed from the inside.

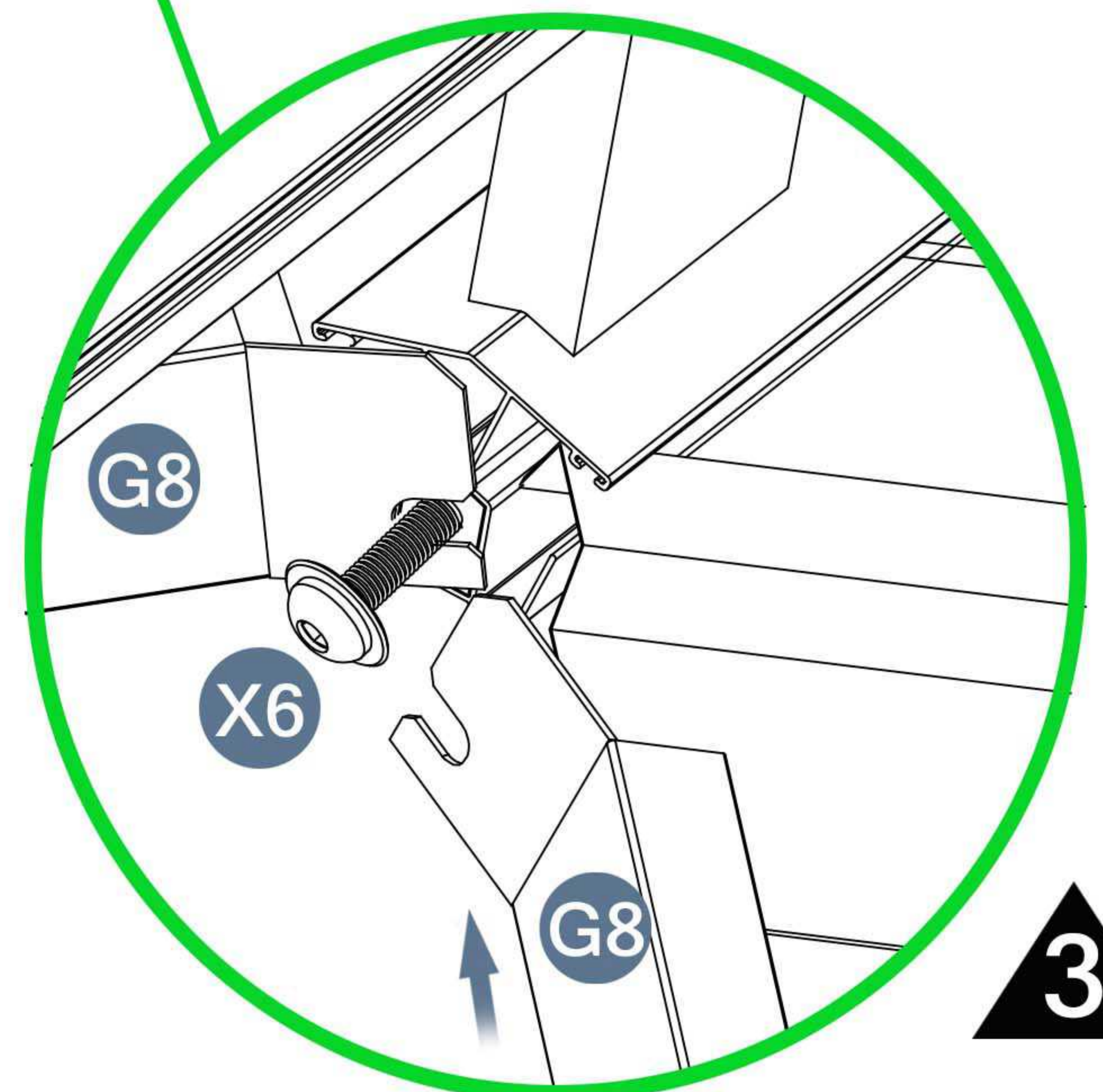
To better align the screws for practical situations, do not fully tighten screws initially.



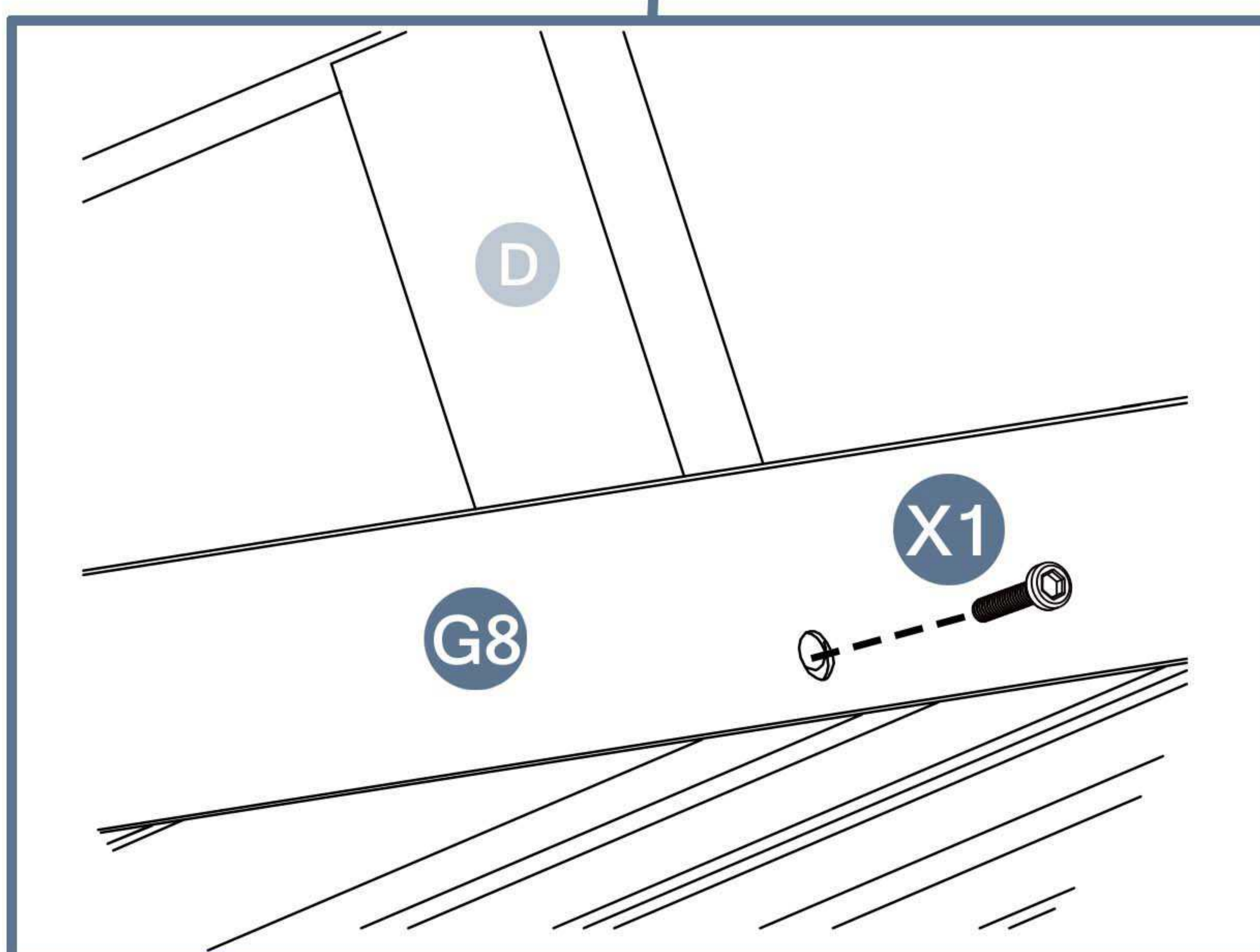
1



2



3



4

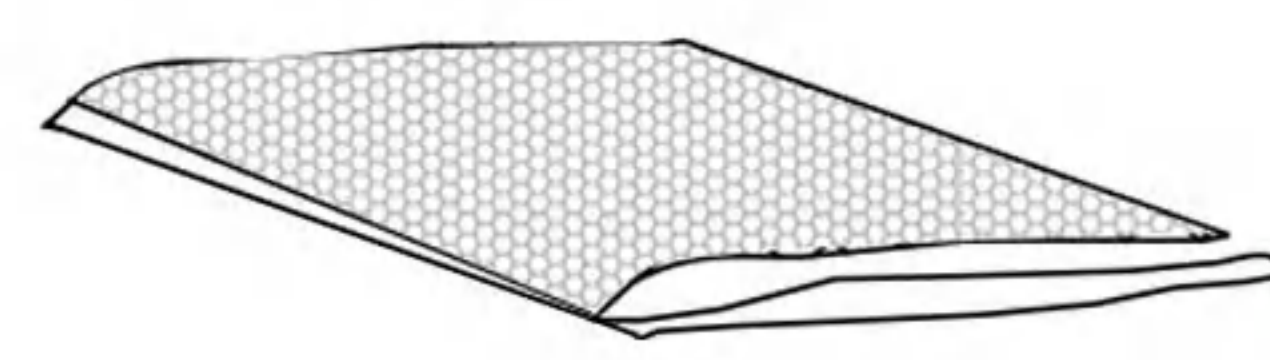
Please take care of the screws and contact the after-sales service if there is any problem with the installation or parts.



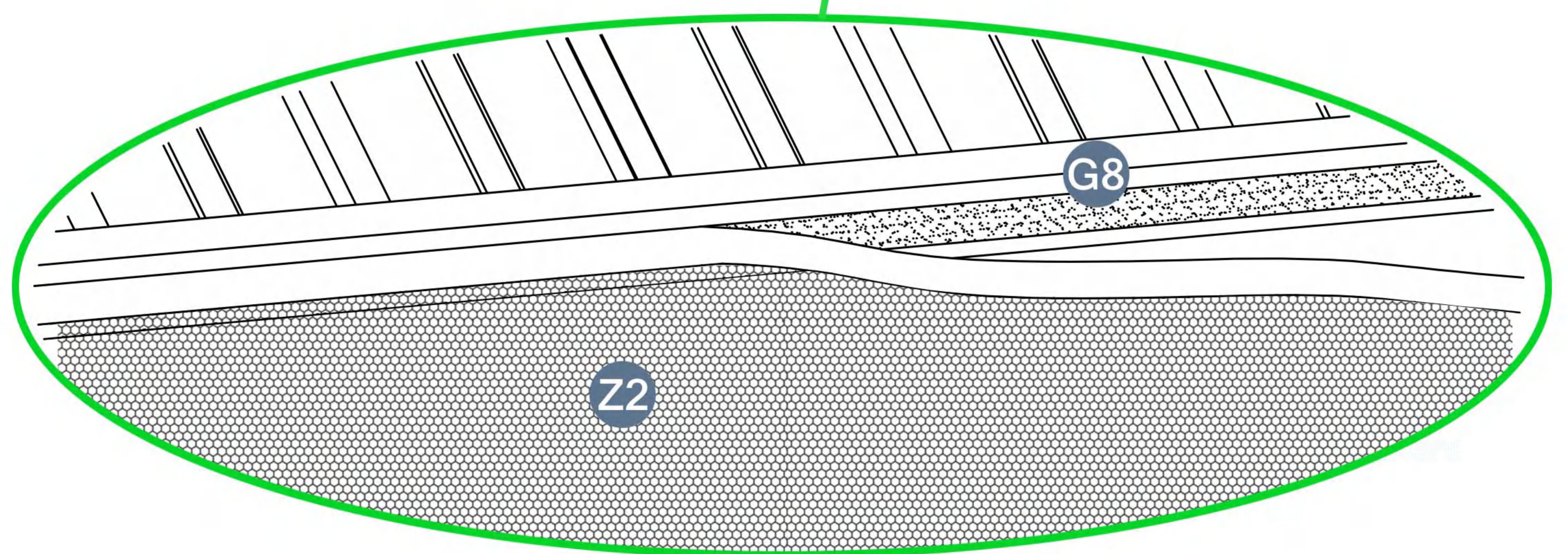
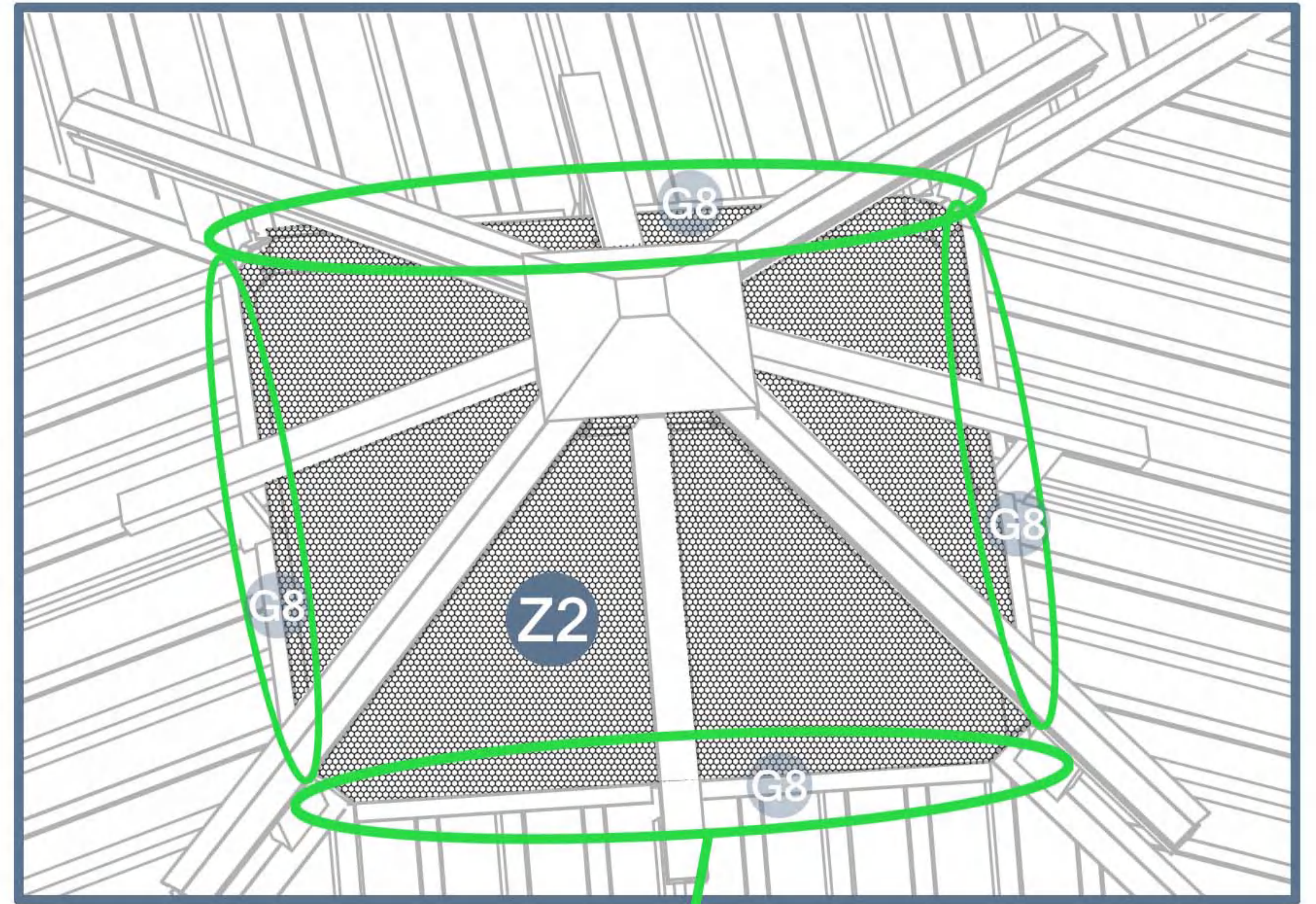
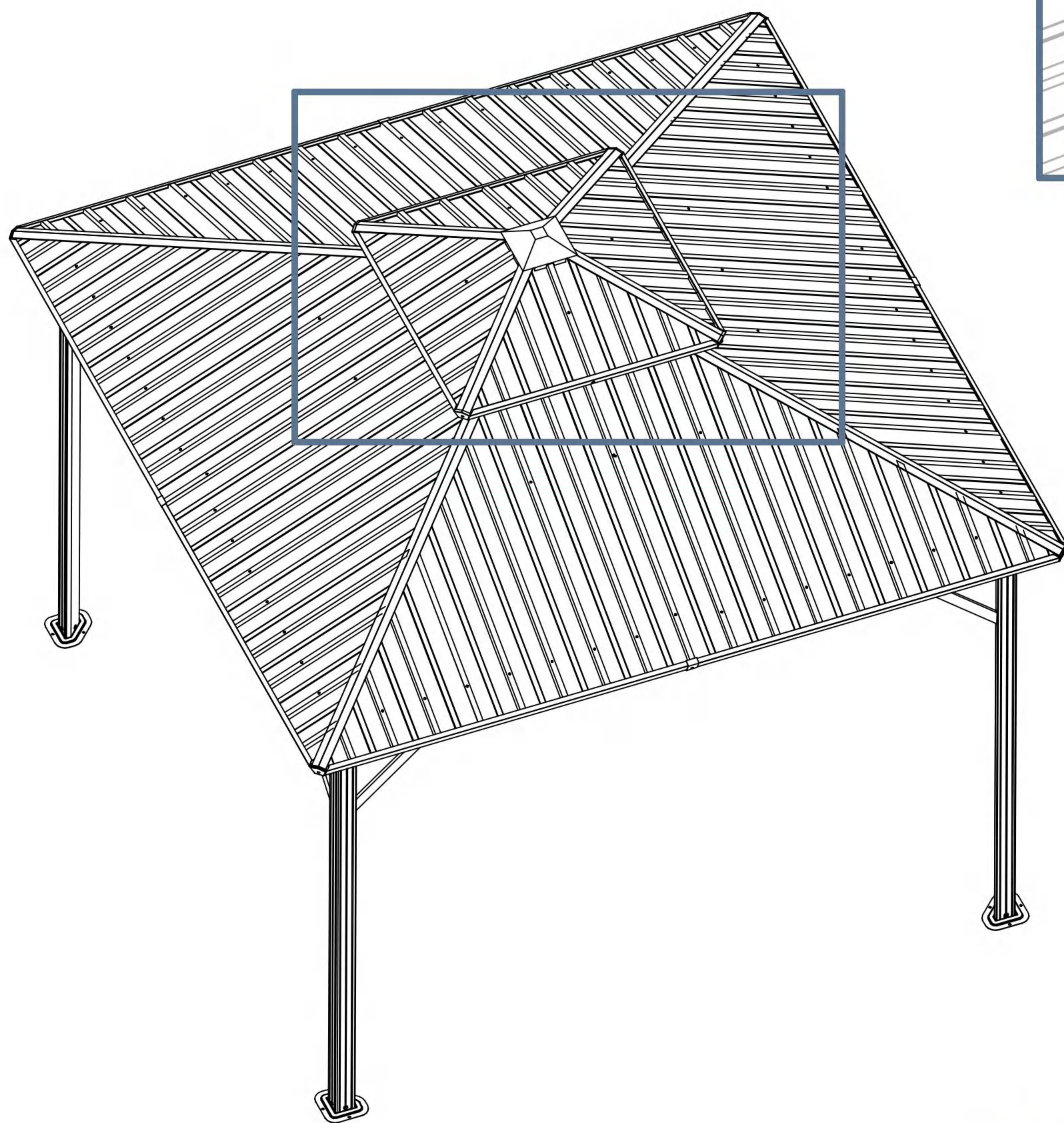
E-mail: [cs.helper01@gmail.com](mailto:cs.helper01@gmail.com)

# STEP 22

Parts required



Z2 1pcs



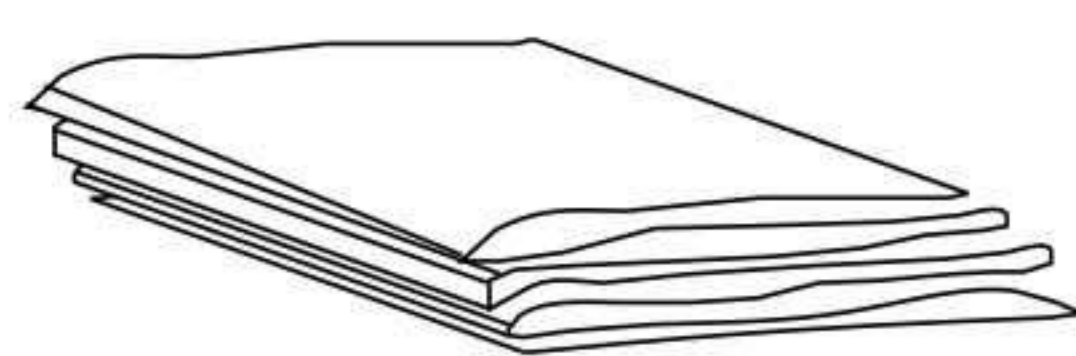
Please take care of the screws and contact the after-sales service if there is any problem with the installation or parts.



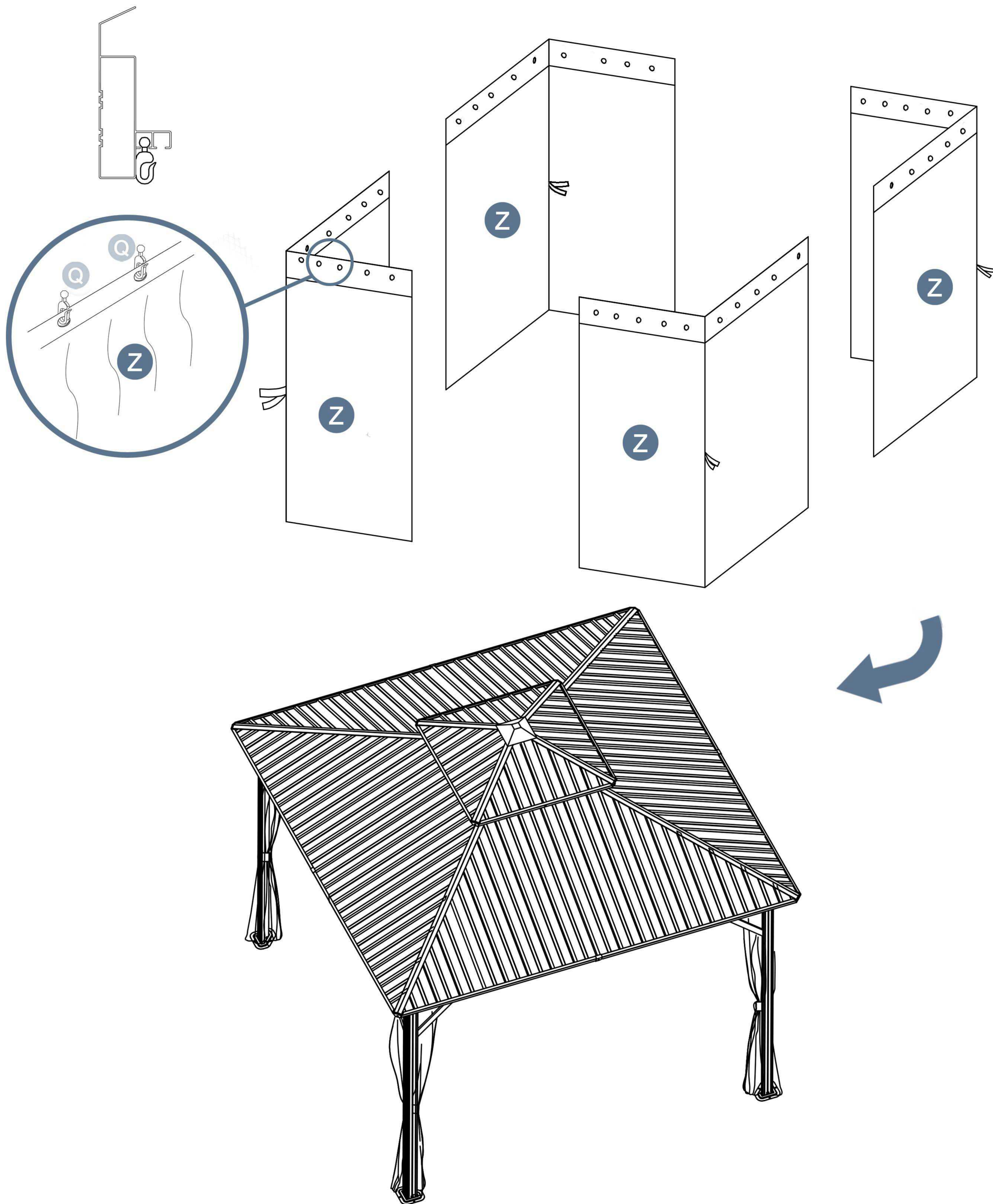
E-mail: [cs.helper01@gmail.com](mailto:cs.helper01@gmail.com)

# STEP 23

Parts required



**Z** 1pcs



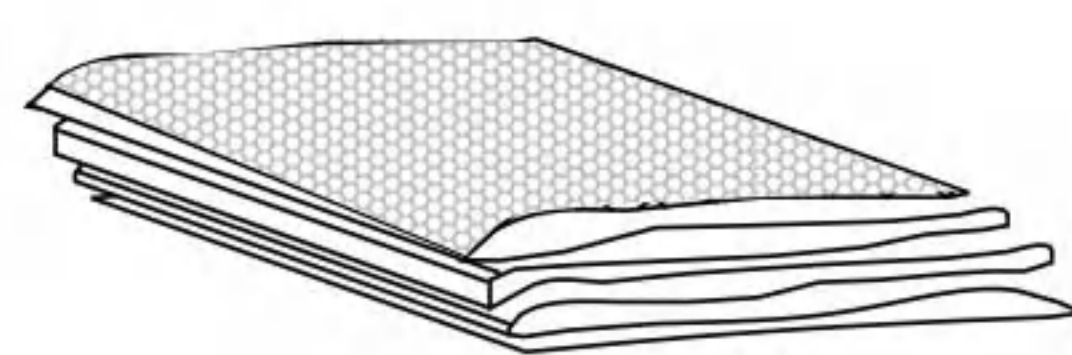
Please take care of the screws and contact the after-sales service if there is any problem with the installation or parts.



E-mail: [cs.helper01@gmail.com](mailto:cs.helper01@gmail.com)

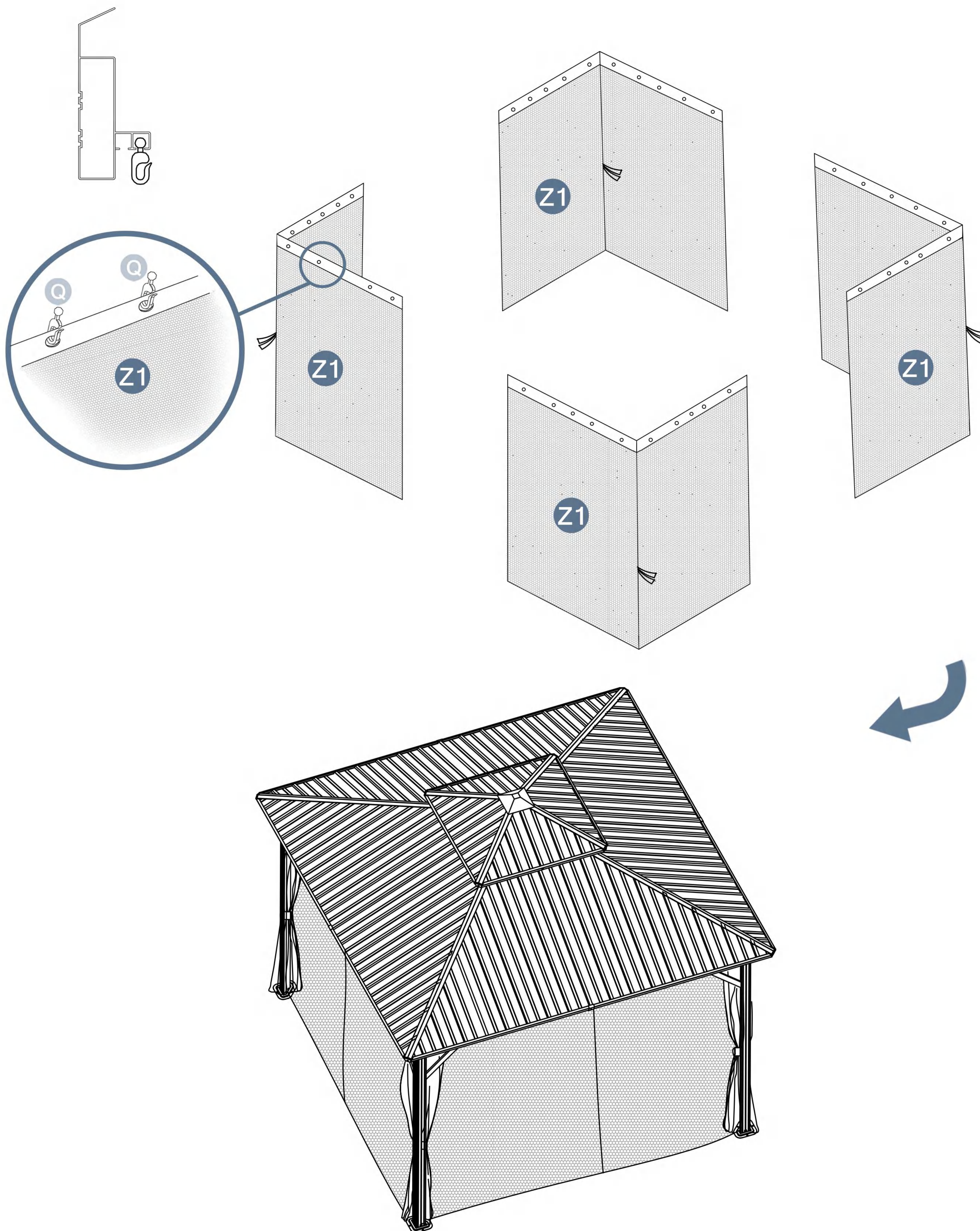
# STEP 24

Parts required



Z1

1pcs

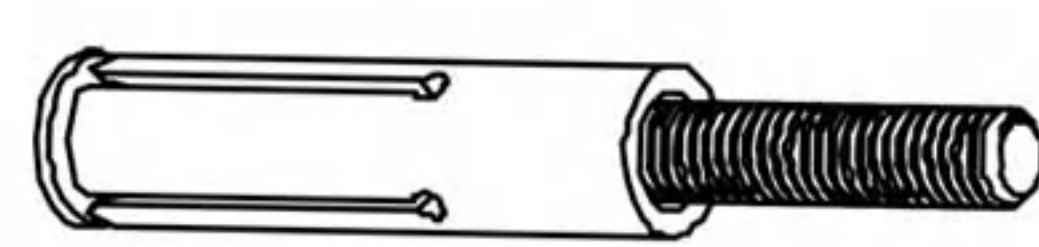


Please take care of the screws and contact the after-sales service if there is any problem with the installation or parts.

➔ ✉ E-mail: [cs.helper01@gmail.com](mailto:cs.helper01@gmail.com)

# STEP 25

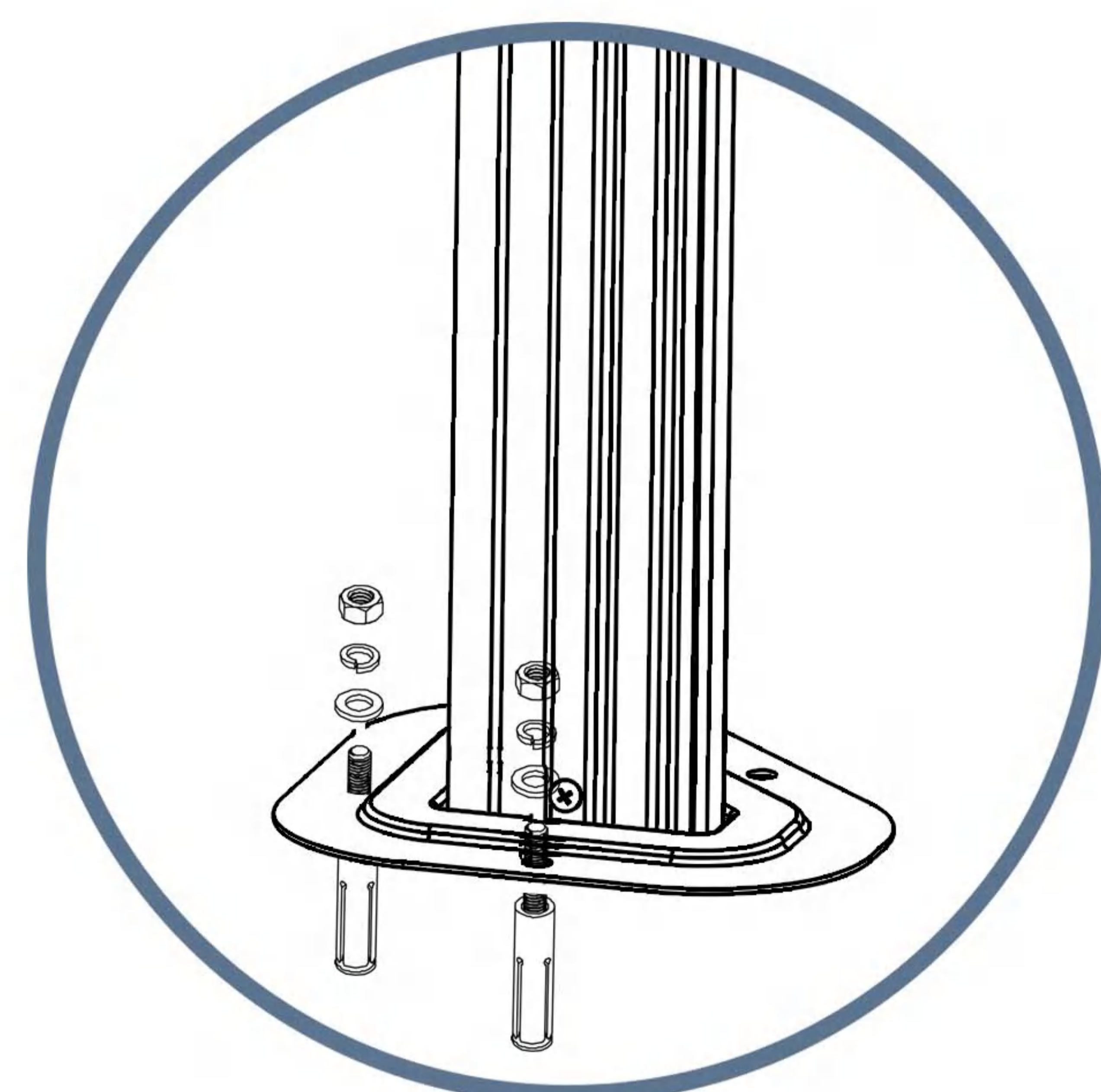
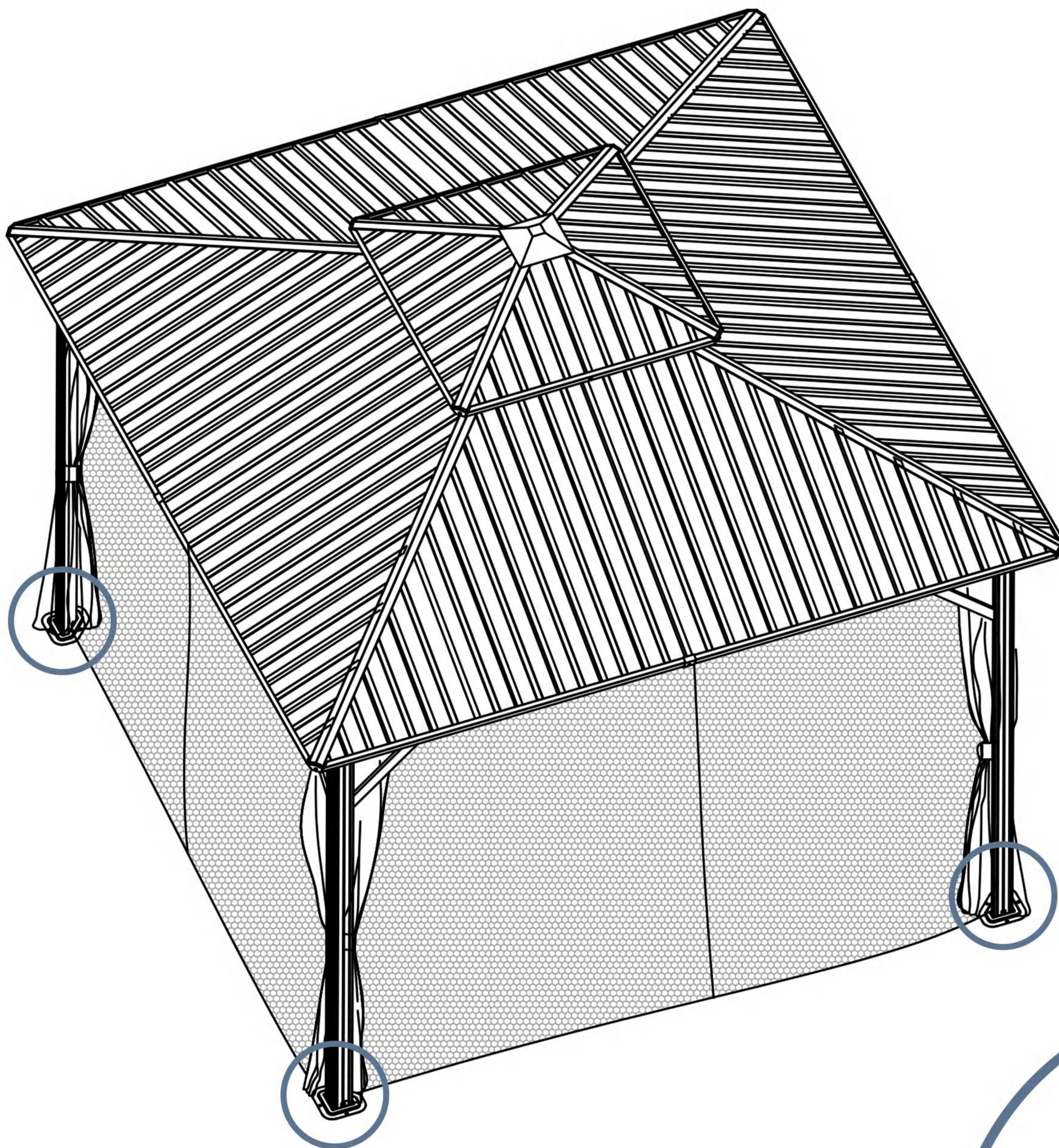
Parts required



2

8pcs

To improve stability of gazebo, ground nails are very necessary. ground nails use for grassy surfaces. ground nails are included in the package.



!!! For safety's stake, please check and make sure that all screws are tightened after all installation is complete.

## Installation Completed

Please take care of the screws and contact the after-sales service if there is any problem with the installation or parts.



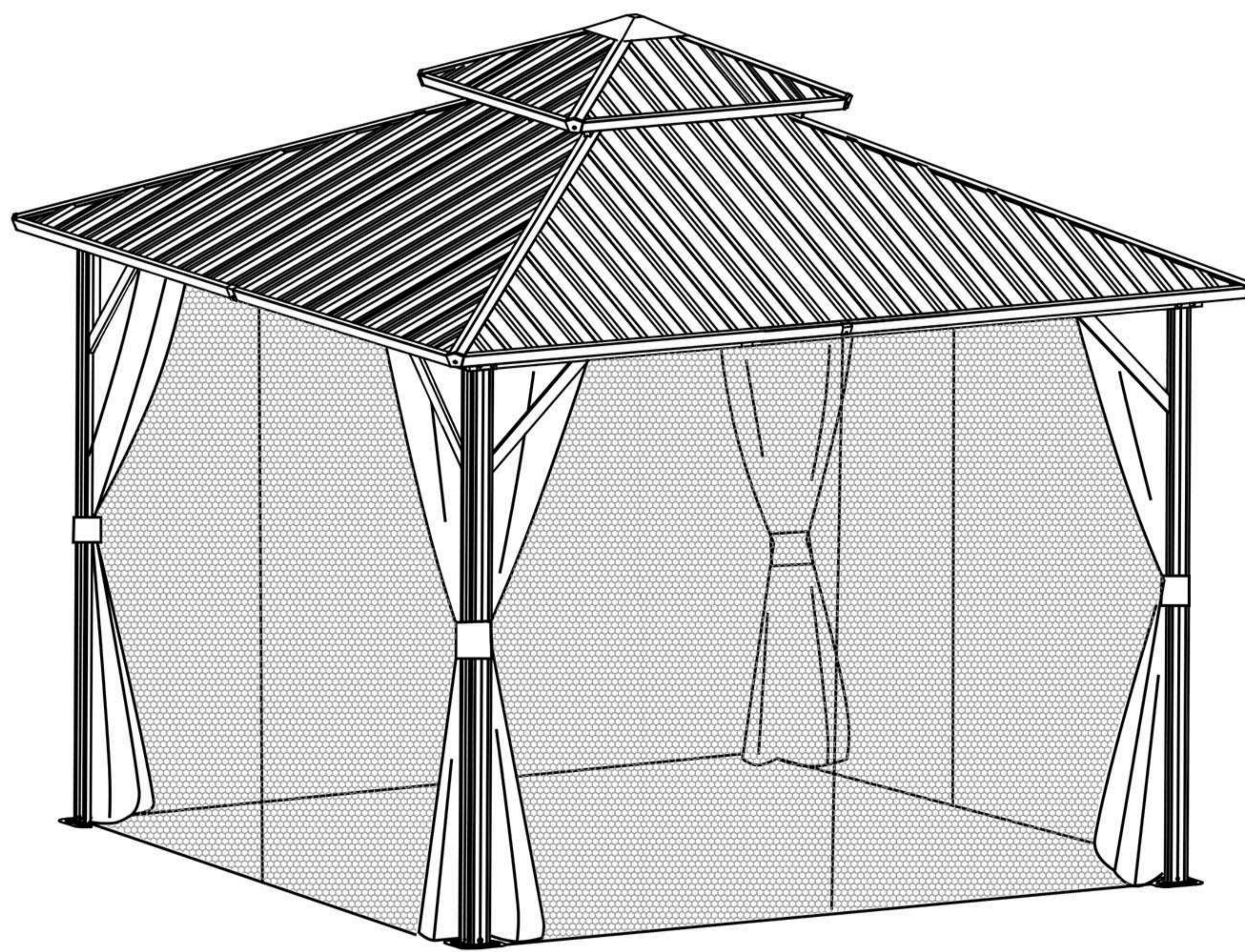
**Hope you enjoy this product.**

If you have any concerns about gazebo Installation, please feel free to contact us. We will reply within 24 hours.



E-mail: [cs.helper01@gmail.com](mailto:cs.helper01@gmail.com)

12X12FT



SKU:A001G038-1  
A001G038-2  
A001G038-3  
A001G038-4