






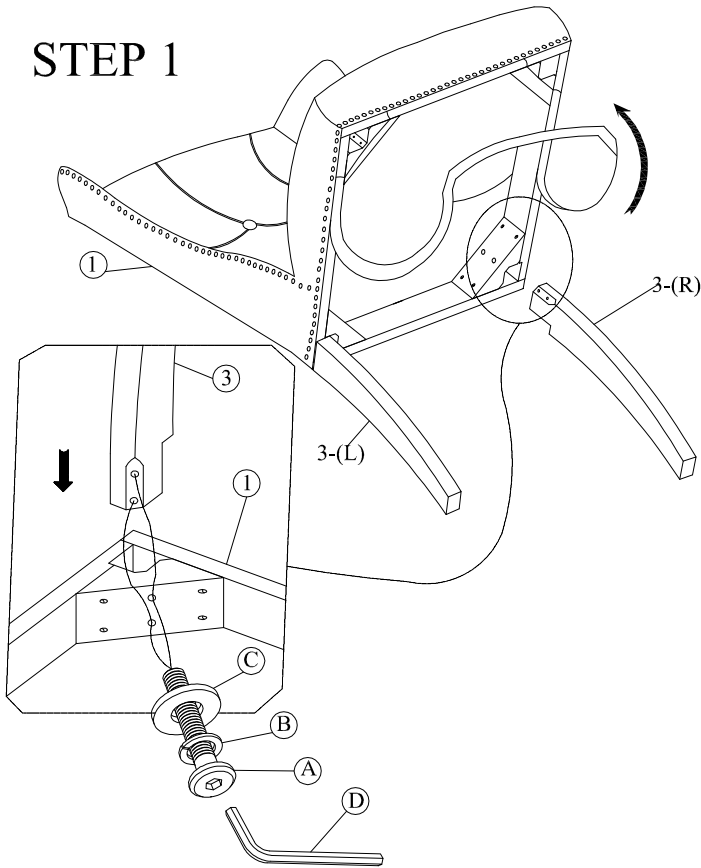


# ASSEMBLY INSTRUCTIONS

NO	Parts List	Q'TY
1	CHAIR FRAME WITH CUSHION SEAT 	1PC
2	FRONT LEG 	2PCS
3	REAR LEG (L&R) 	2PCS

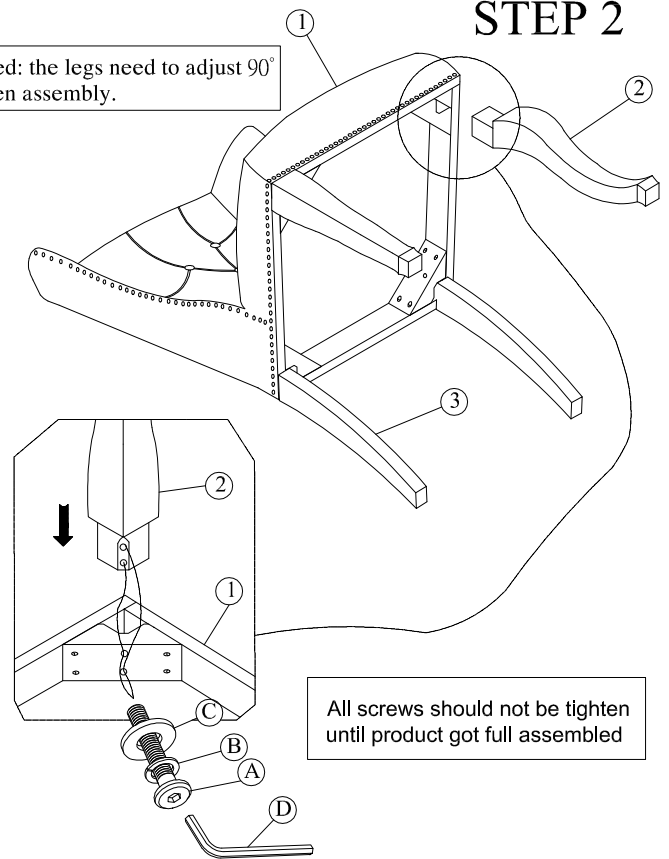
NO	Hardware List	Q'TY
A	BOLT  Ø1/4" * 50 mm	8 PCS
B	LOCK WASHER  Ø1/4" * 11* 1.5 mm	8 PCS
C	WASHER  Ø1/4" * 22 *2 mm	8 PCS
D	ALLEN KEY  58 * 4mm	1PC

## STEP 1



## STEP 2

Noted: the legs need to adjust 90° when assembly.



## STEP 2

