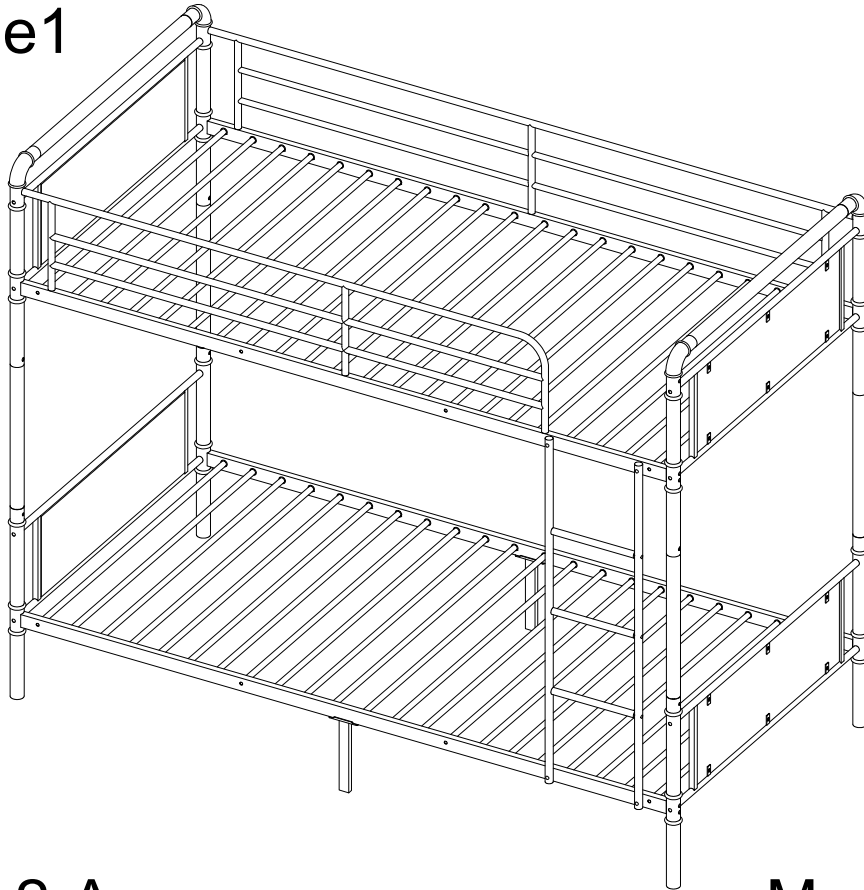


Assembly Instruction

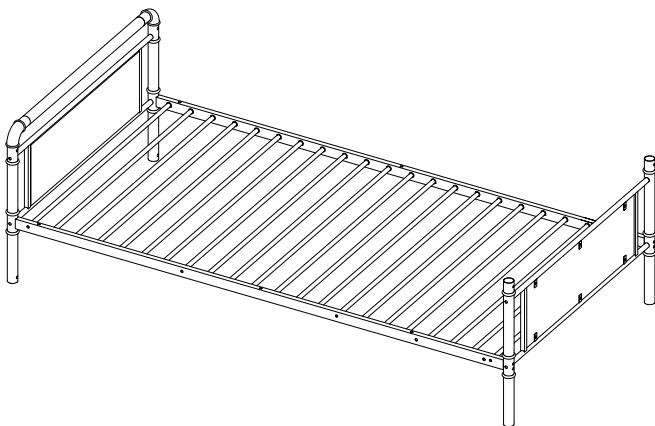
V20250224

Twin XL over Twin XL Bunk Bed KX806018AB

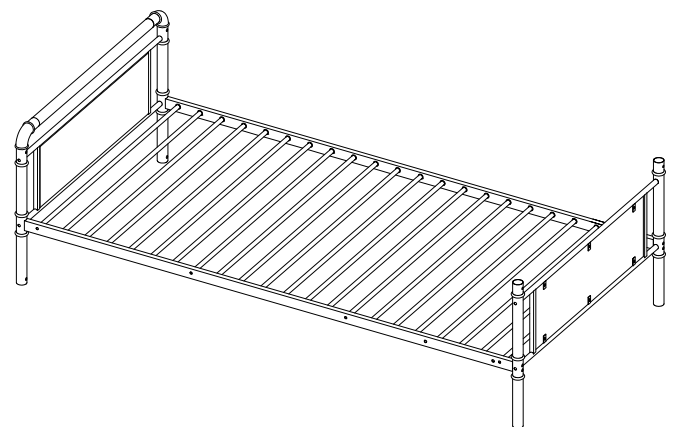
Mode 1



Mode 2-A



Mode 2-B





WARNING

Keep these instructions for future reference

To help prevent serious or fatal injuries from entrapment or falls:

Follow the information on the warnings appearing on the upper bunk end structure and on the carton. Do not remove warning label from bed.

Use only mattress which is 79"-80"long and 38 1/2" wide on upper bunk and lower bunk.

Always use the recommended size mattresses or mattress supports, or both, to help prevent the likelihood of entrapment or falls.

Surface of mattress must be at least 5 in. (127 mm) below the upper edge of guardrails.

Ensure upper bunk thickness of mattress does not exceed 6" and lower bunk thickness of mattress does not exceed 8", mattress is at least 5" below upper edge of guardrails.

Do not allow children under 6 years of age to use the upper bunk.

Periodically check and ensure that the guardrail, ladder, and other components are in their proper position, free from damage, and that all connectors are tight.

Do not allow horseplay on or under the bed and prohibit jumping on the bed.

Always use the ladder for entering and leaving the upper bunk.

Keep these instructions for future reference.

Do not use substitute parts. Contact the manufacturer or dealer for replacement parts.

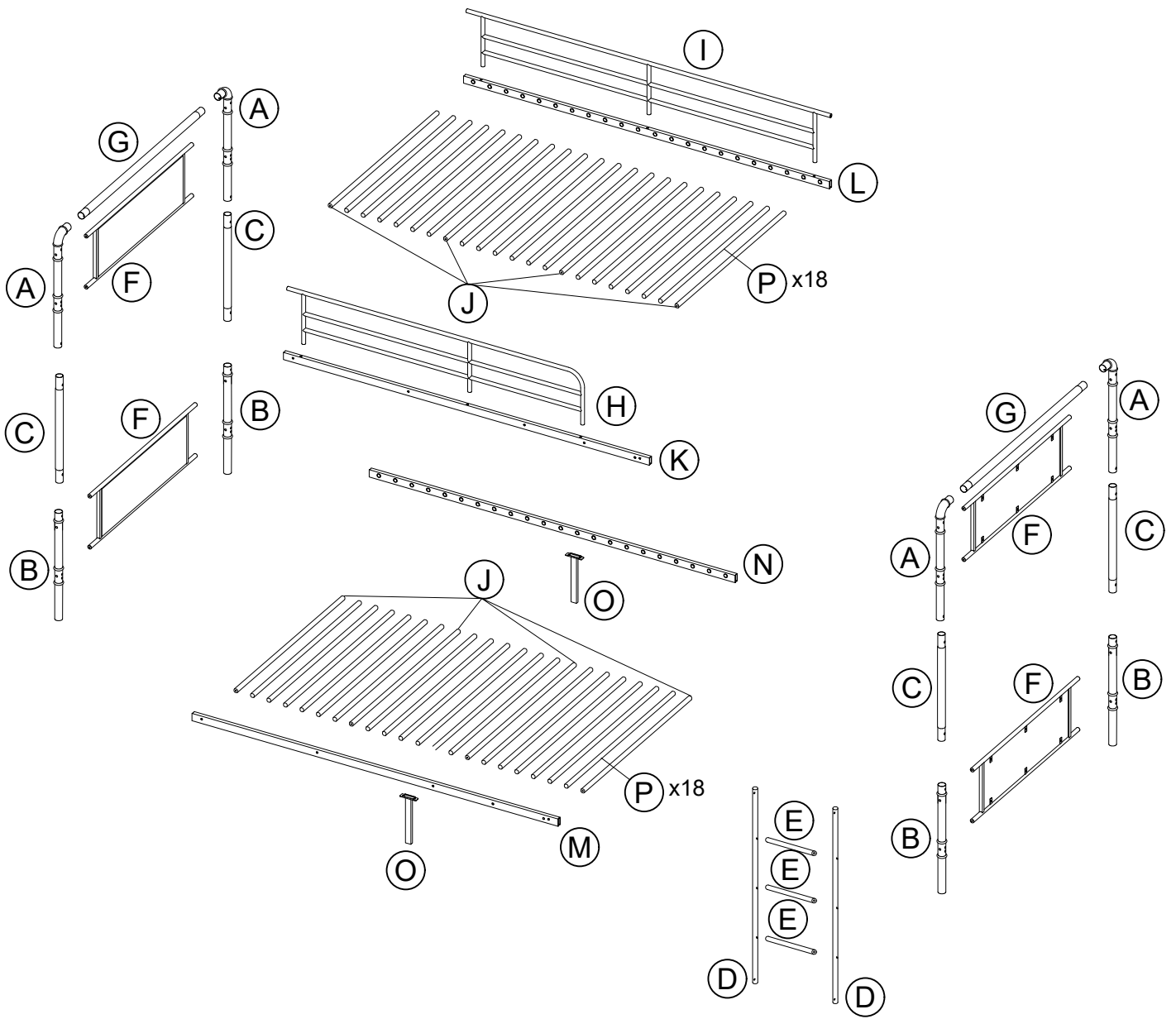
Use of a night light may provide added safety precaution for a child using the upper bunk.

Always use guardrails on both long sides of the upper bunk. If the bunk bed will be placed next to the wall, the guardrail that runs the full length of the bed should be placed against the wall to prevent entrapment between the bed and wall.

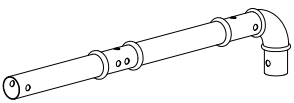
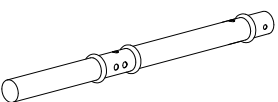
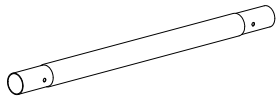


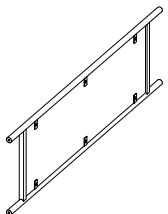
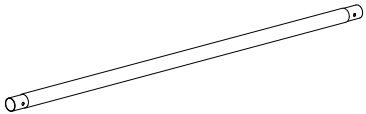
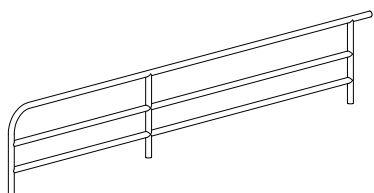
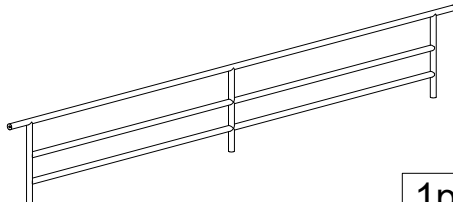
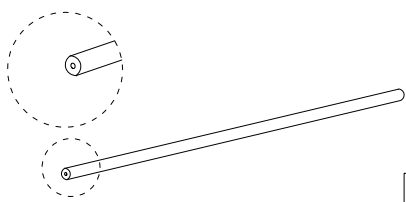
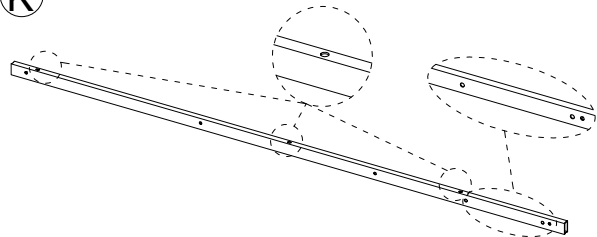
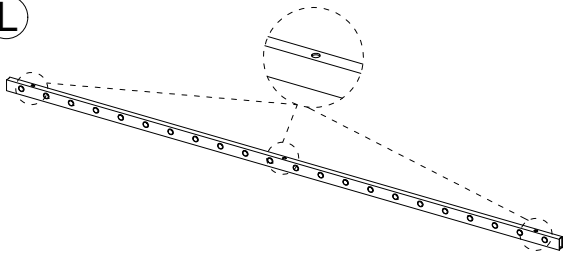
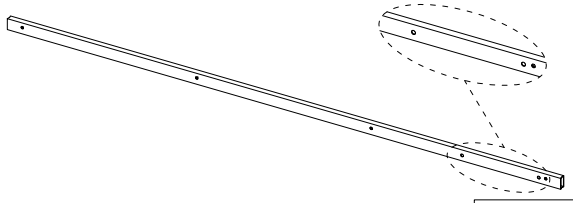
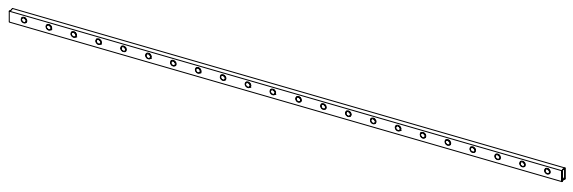
The use of water or sleep flotation mattresses is prohibited.

Replacement Parts- Replacement parts, including additional guardrails, may be obtained from any of Shenzhen Kaixin Ying trade Co., LTD.

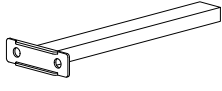
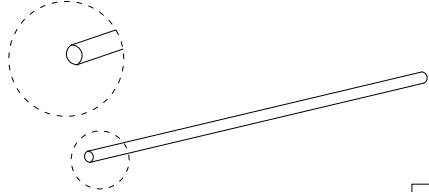
STRANGULATION HAZARD - Never attach or hang items to any part of the bunk bed that are not designed for use with the bed; for example, but not limited to, hooks, belts and jump ropes.



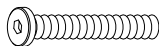

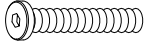
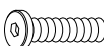

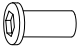

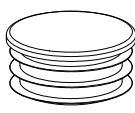



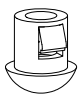


Parts List

<p>(A)</p>  <p>4pcs</p>	<p>(B)</p>  <p>4pcs</p>
<p>(C)</p>  <p>4pcs</p>	<p>(D)</p>  <p>2pcs</p>
<p>(E)</p>  <p>3pcs</p>	<p>(F)</p>  <p>4pcs</p>
<p>(G)</p>  <p>2pcs</p>	<p>(H)</p>  <p>1pc</p>
<p>(I)</p>  <p>1pc</p>	<p>(J)</p>  <p>8pcs</p>
<p>(K)</p>  <p>1pc</p>	<p>(L)</p>  <p>1pc</p>
<p>(M)</p>  <p>1pc</p>	<p>(N)</p>  <p>1pc</p>

Parts List

<p>⓪</p>  <p>4pcs</p>	<p>Ⓟ</p>  <p>36pcs</p>
--	--

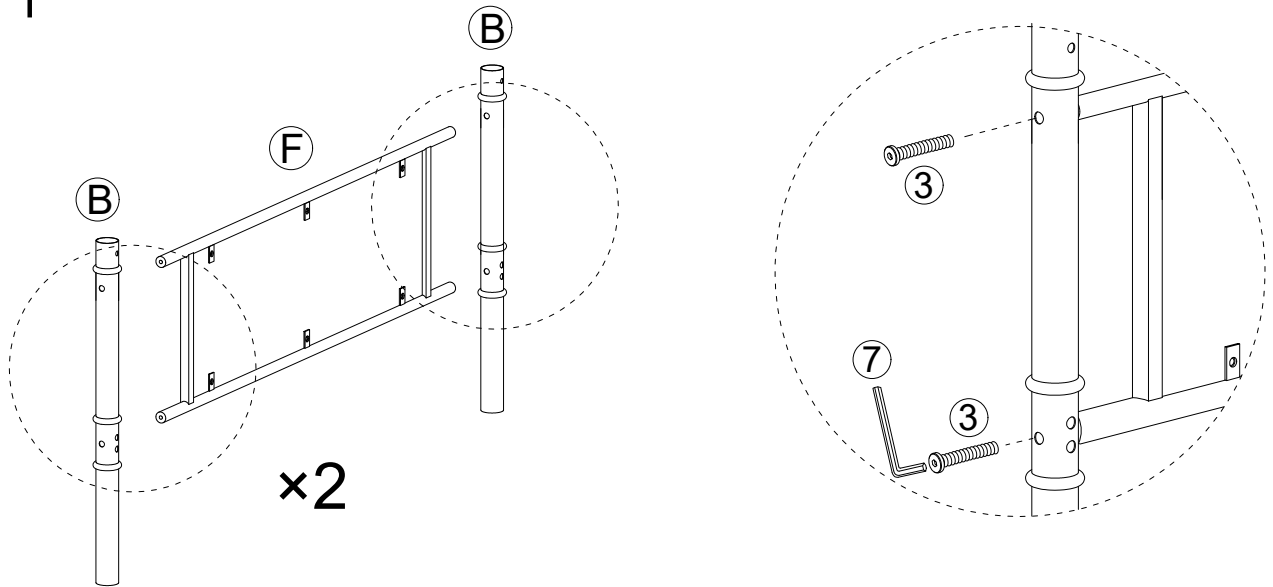
Hardware List



<p>①</p>  <p>M8×60mm</p> <p>16pcs</p>	<p>②</p>  <p>M8×20mm</p> <p>12pcs</p>	<p>③</p>  <p>M6×55mm</p> <p>25pcs</p>
<p>④</p>  <p>M6×35mm</p> <p>10pcs</p>	<p>⑤</p>  <p>M6×30mm</p> <p>8pcs</p>	<p>⑥</p>  <p>M6×17mm</p> <p>12pcs</p>
<p>⑦</p>  <p>M4</p> <p>2pcs</p>	<p>⑧</p>  <p>8pcs</p>	<p>⑨</p>  <p>2pcs</p>
<p>⑩</p>  <p>2pcs</p>	<p>⑪</p>  <p>2pcs</p>	<p>⑫</p>  <p>28pcs</p>
<p>⑬</p>  <p>M5</p> <p>1pc</p>	<p>⑭</p>  <p>M6×15mm</p> <p>16pcs</p>	

Installation Steps

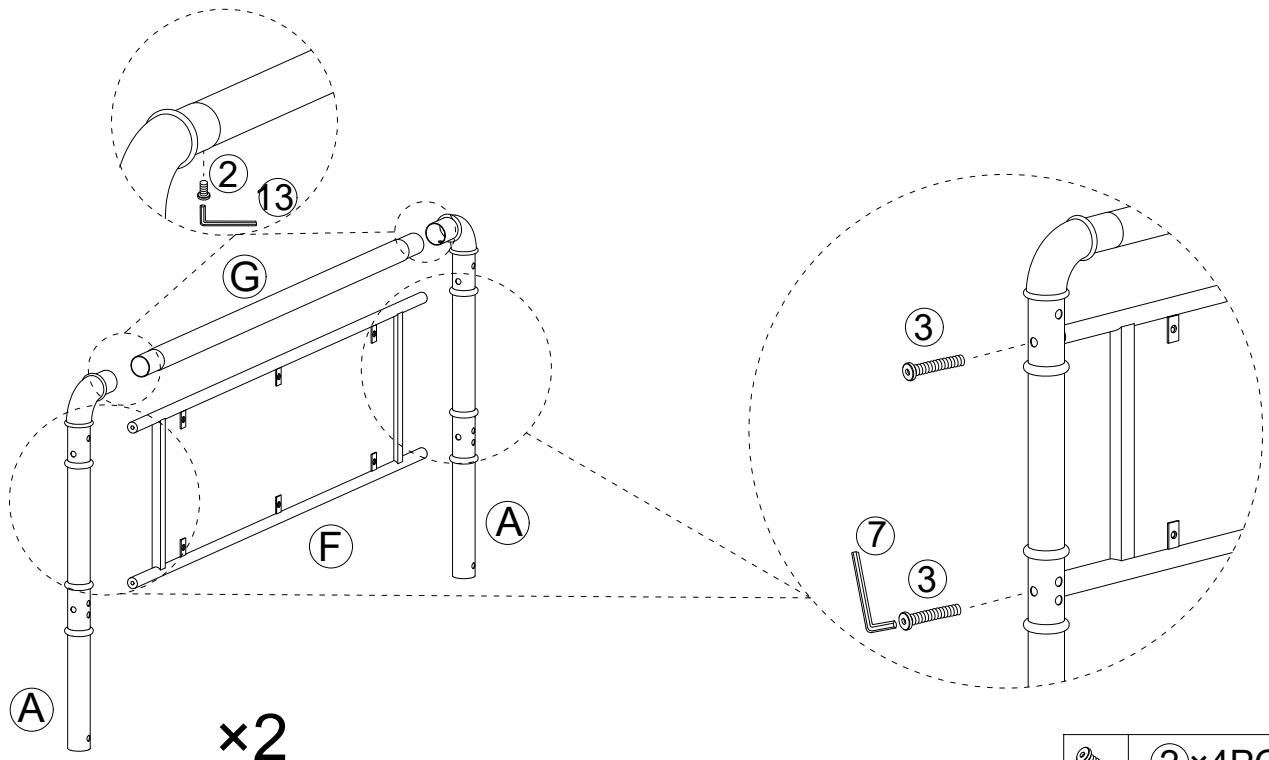
1. Bunk bed-Mode 1: Go with step: 1~14 Two Single bed-Mode 2: Go with step: 1~4 step: 15~19.
2. Before your installation, please make sure that you have all the parts listed on the manual. If you find something missing, please do not hesitate in contacting us.
3. Please note do not fully tight screws until all the bed parts are assembled.





Step 1



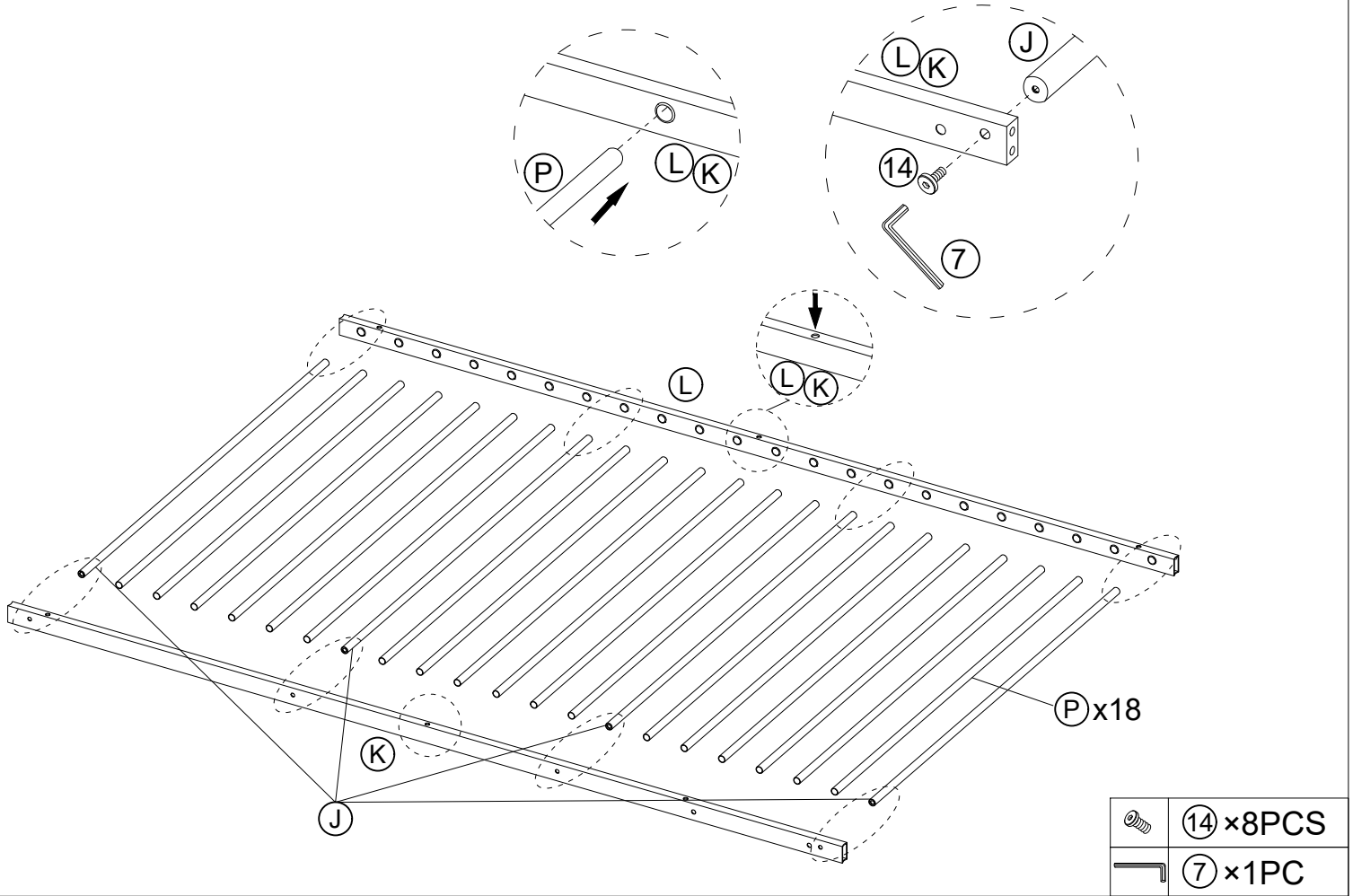
	③×8PCS
	⑦×1PC

Step 2

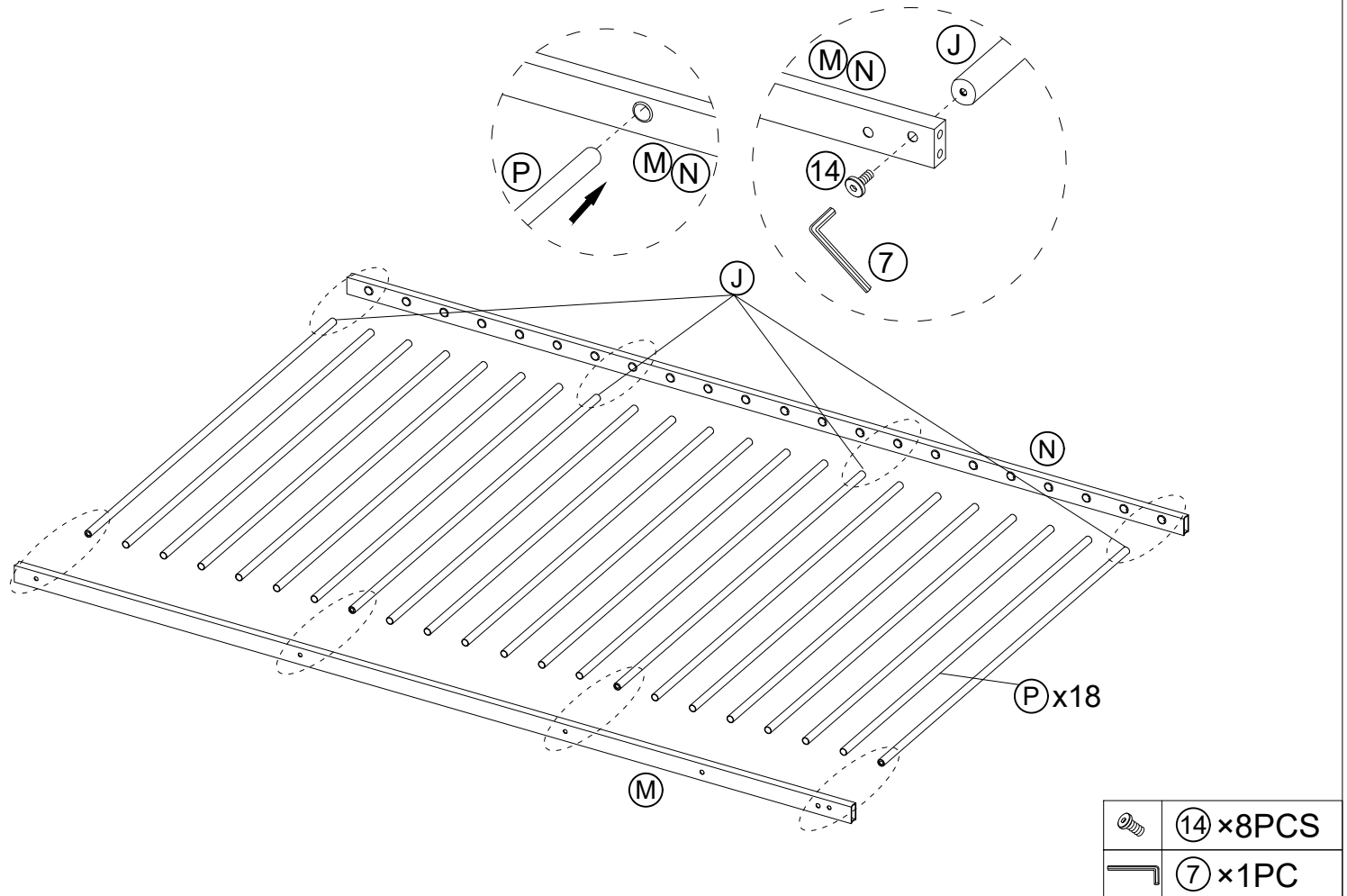


	②×4PCS
	③×8PCS
	⑦×1PC
	⑬×1PC

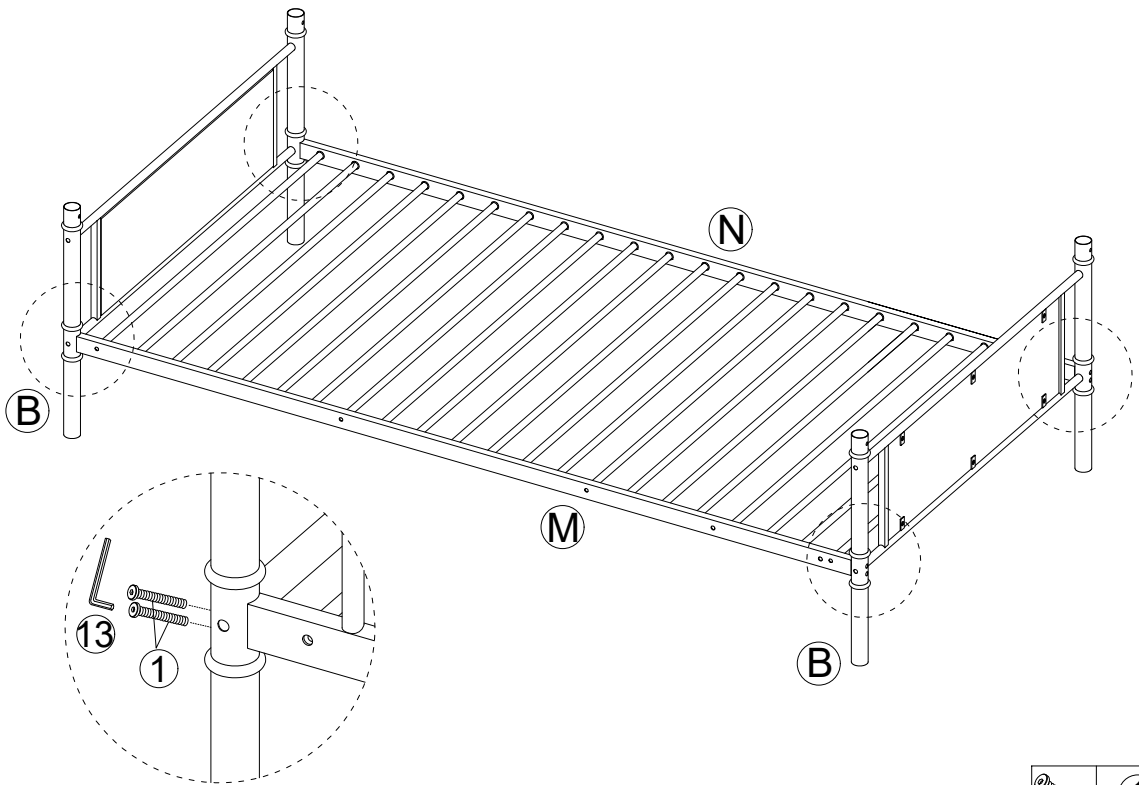
Step 3





Step 4

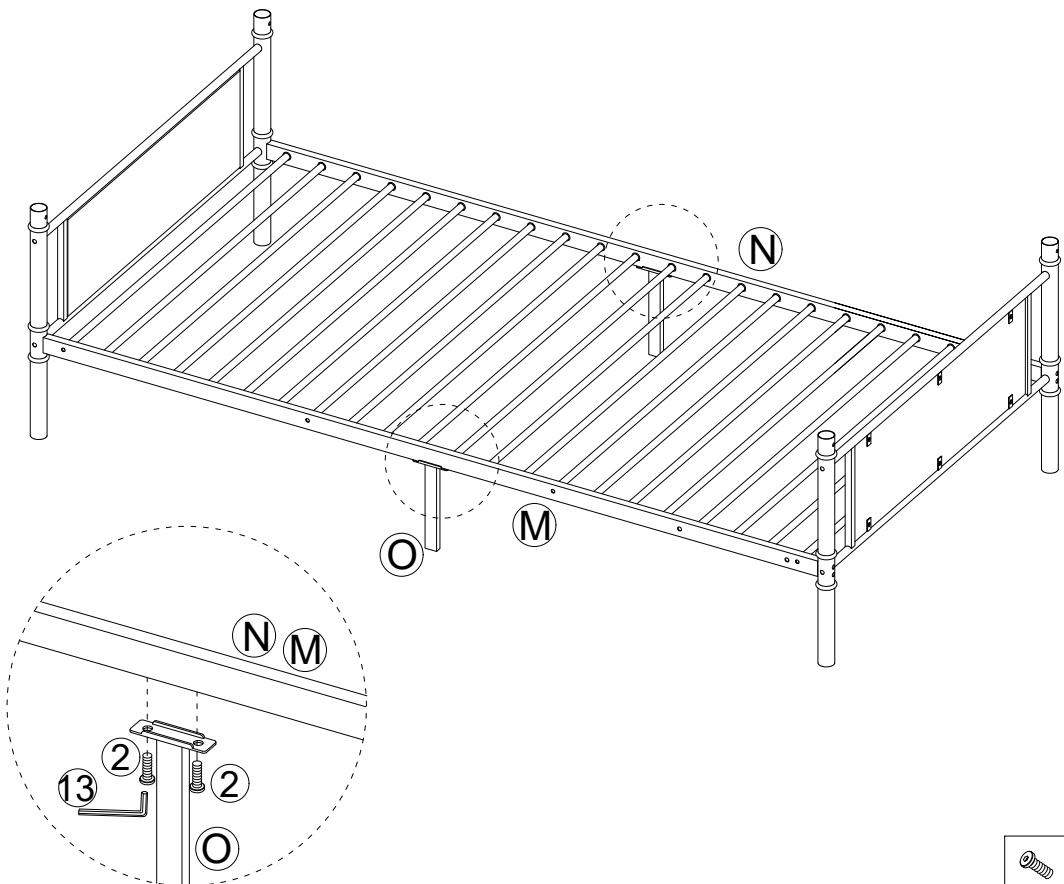




Step 5



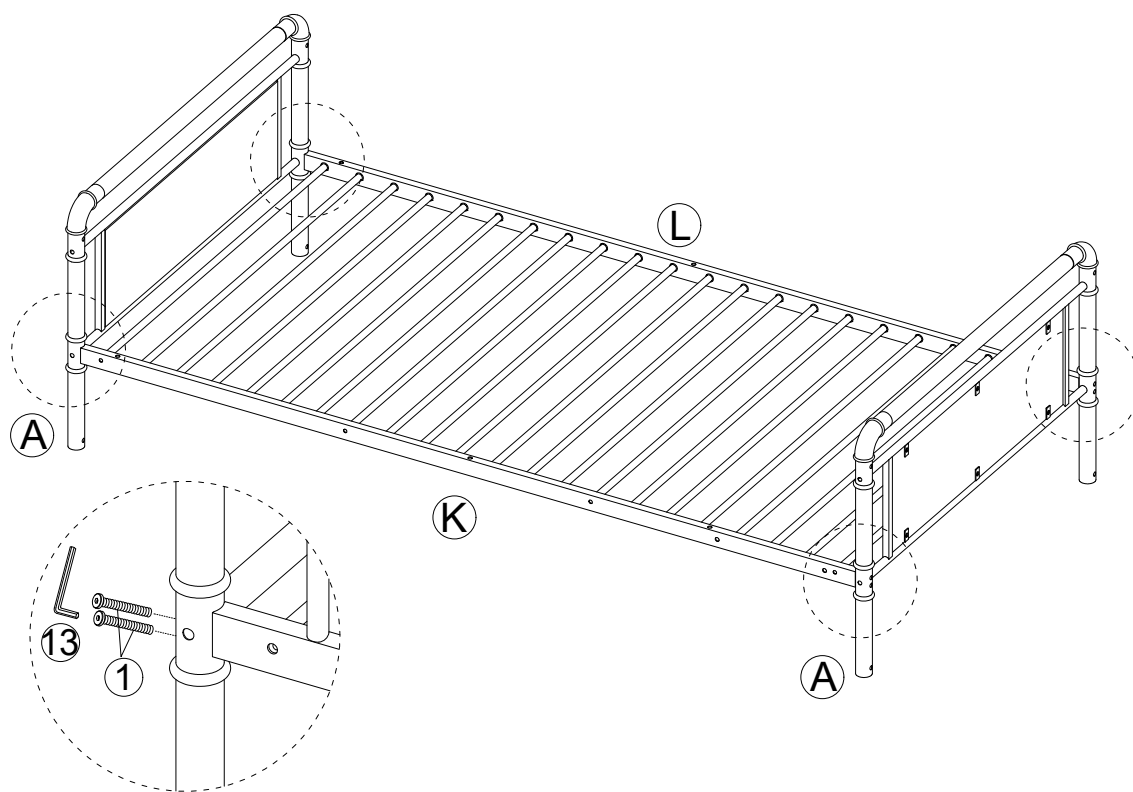
	①×8PCS
	⑬×1PC



Step 6



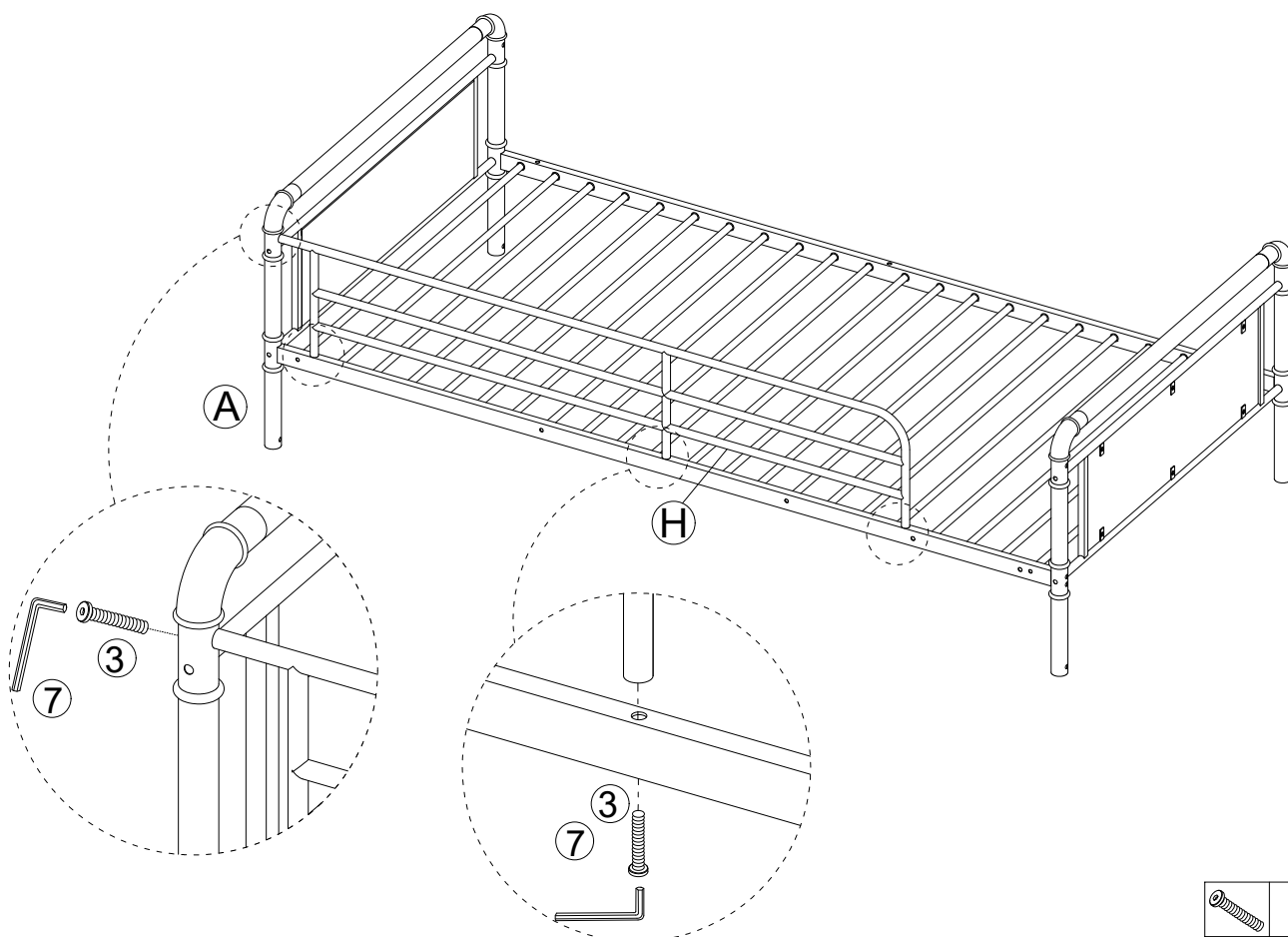
	②×4PCS
	⑬×1PC



Step 7



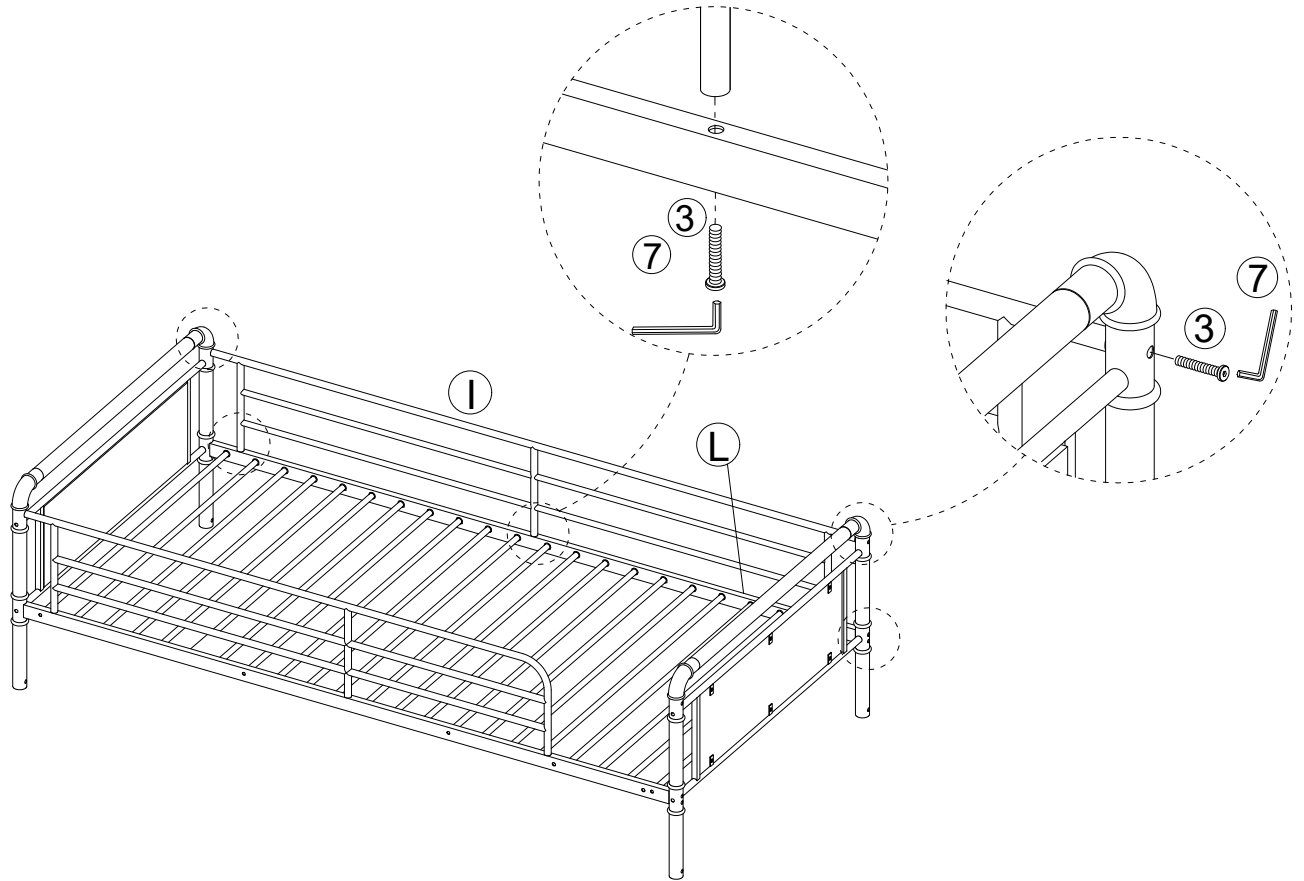
	①×8PCS
	⑬×1PC



Step 8



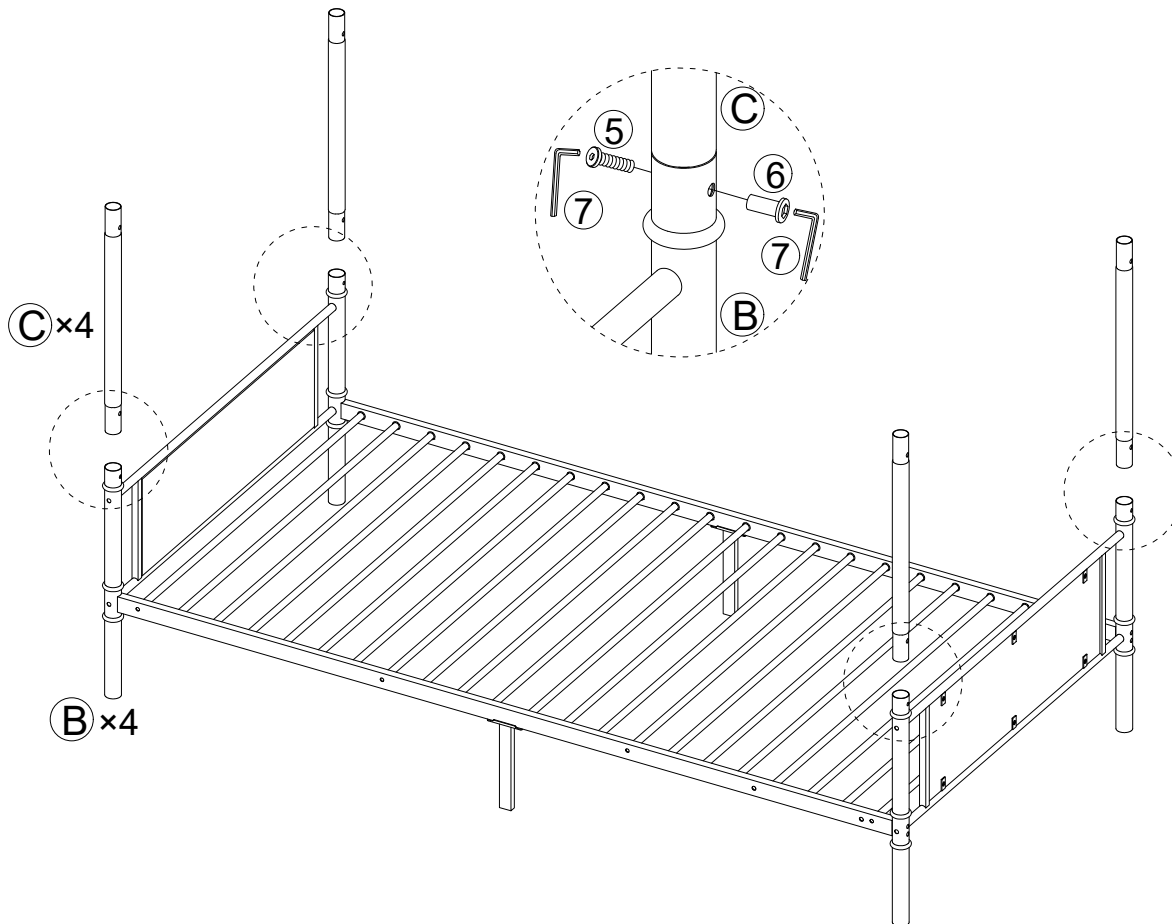
	③×4PCS
	⑦×1PC




Step 9



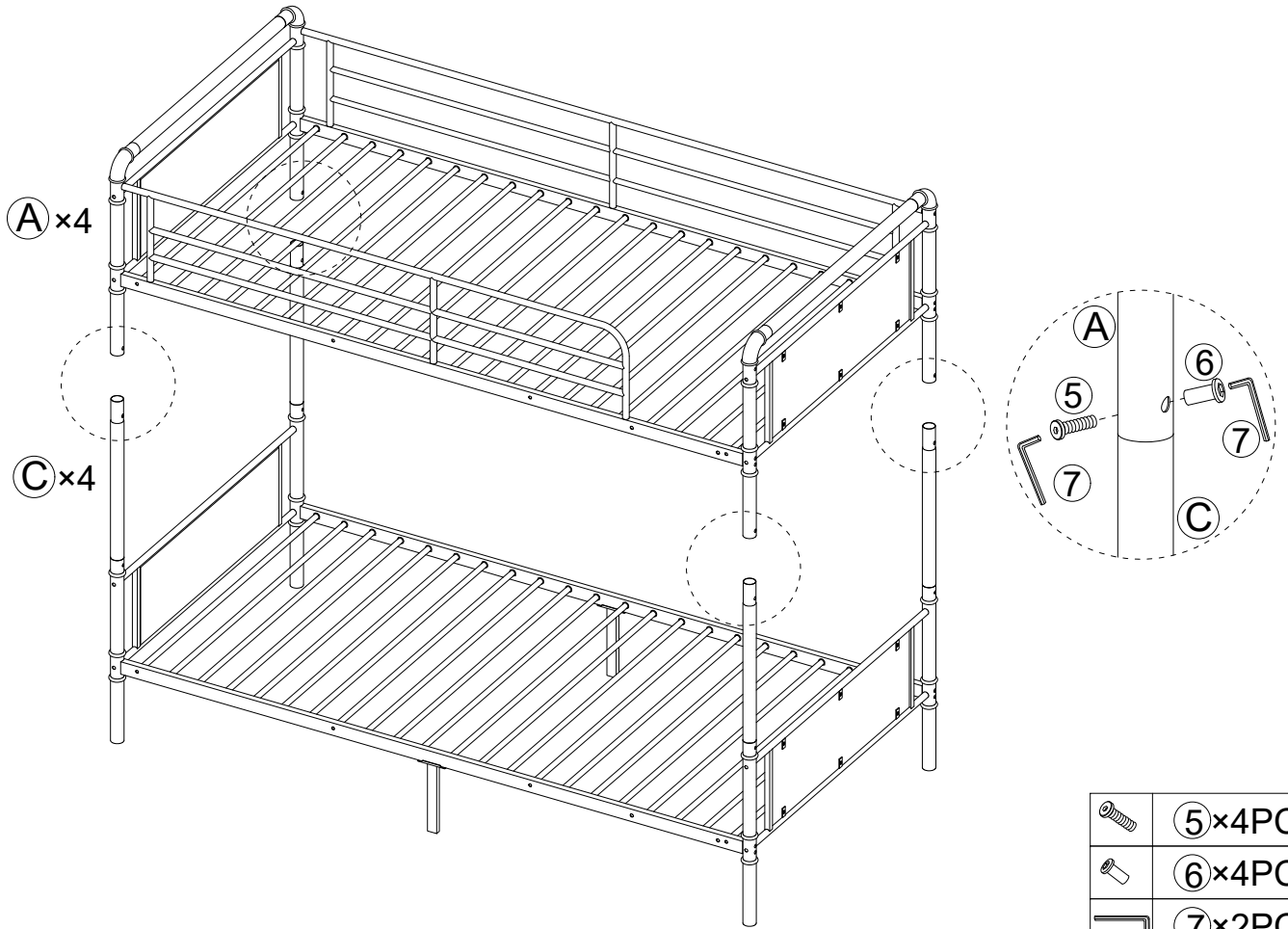
	③×5PCS
	⑦×1PC




Step 10



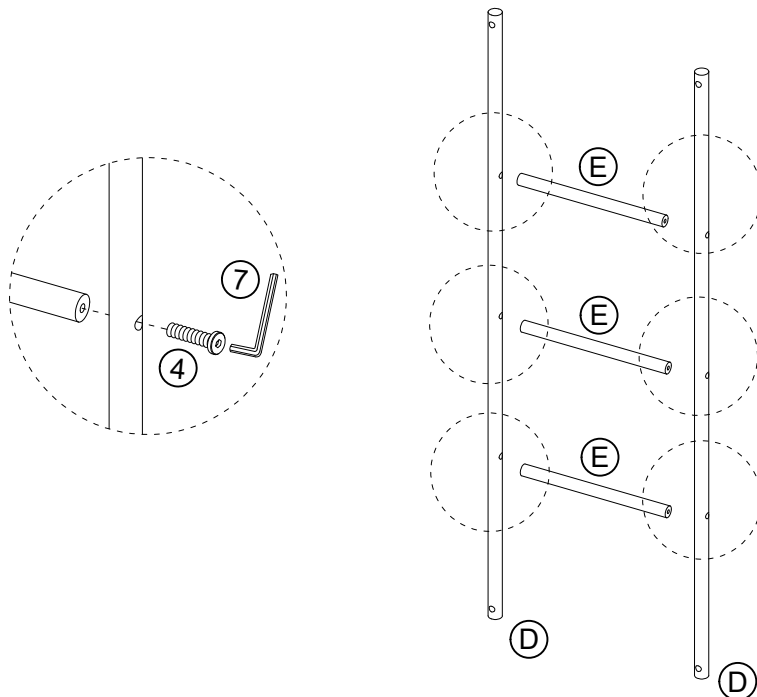
	⑤×4PCS
	⑥×4PCS
	⑦×2PCS



Step 11



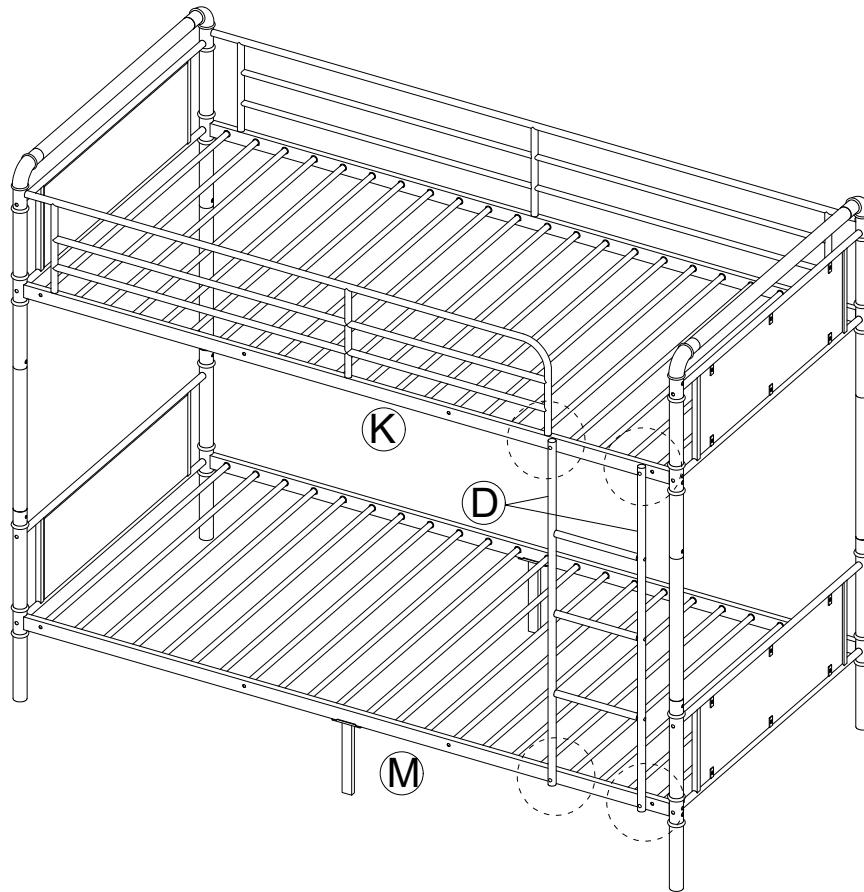
	⑤×4PCS
	⑥×4PCS
	⑦×2PCS



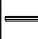
Step 12



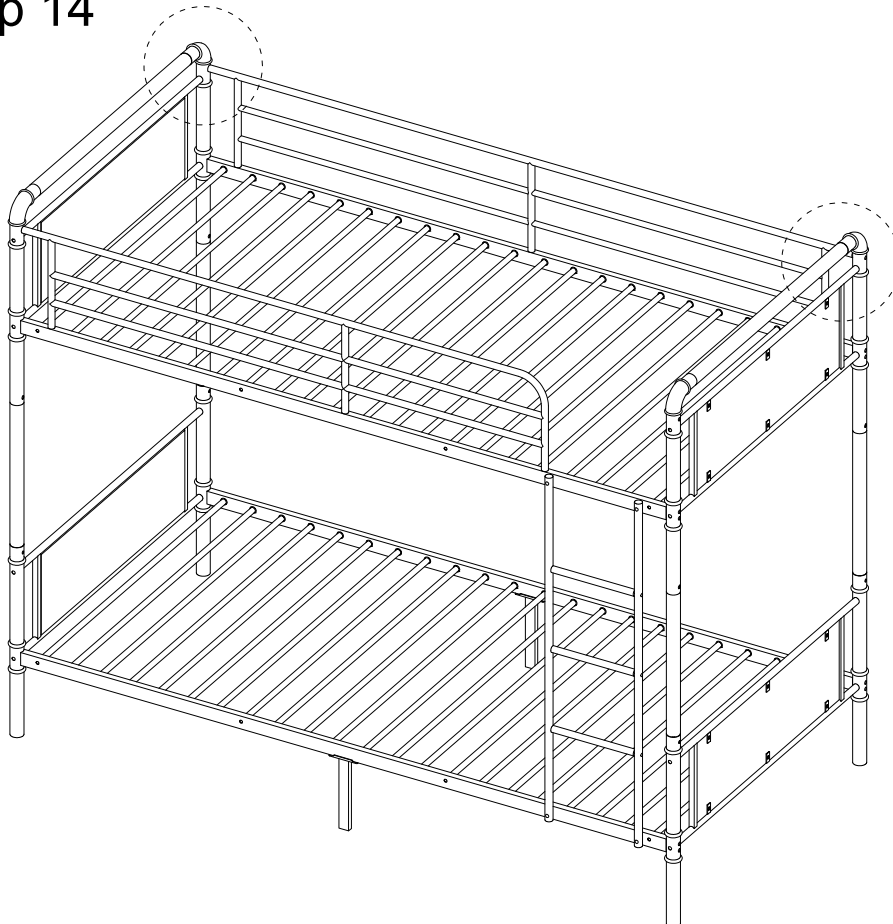
	④×6PCS
	⑦×1PC



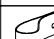
Step 13



	④×4PCS
	⑥×4PCS
	⑦×2PCS

Step 14

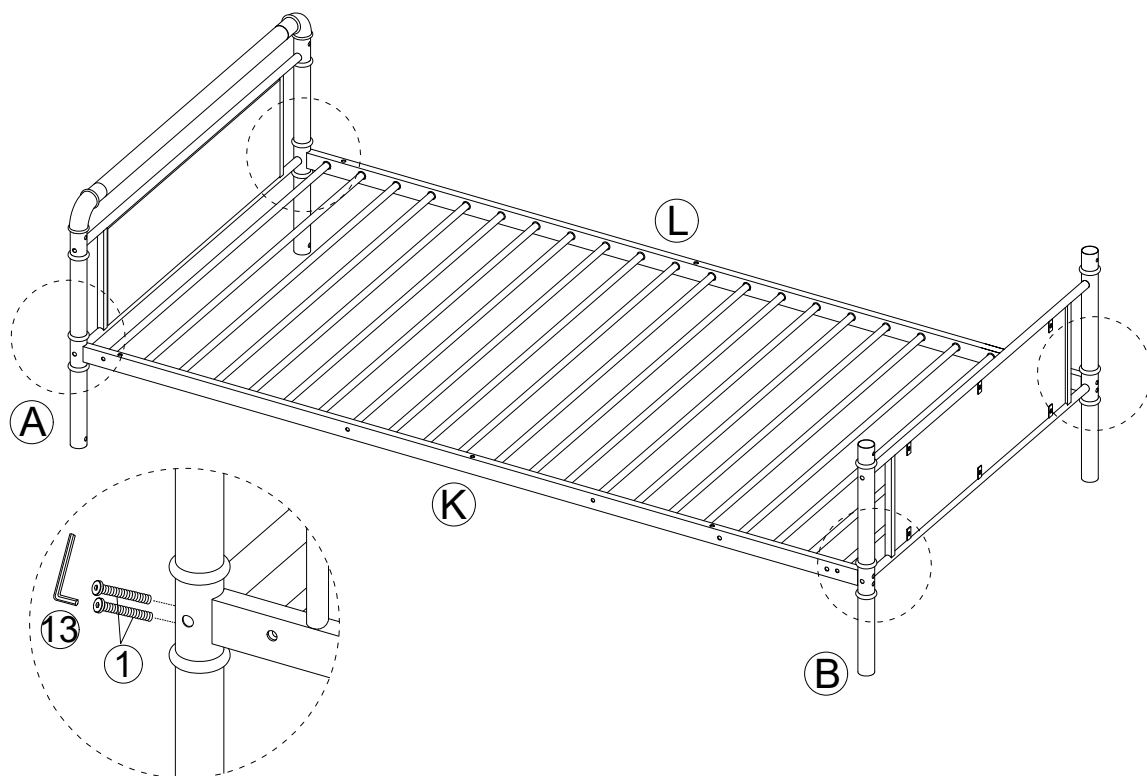




	⑨×2PCS
	⑩×2PCS
	⑪×2PCS

Tip: Congratulation! You finished assemble of the Mode 1-bunk bed on the end this step.

Step 15

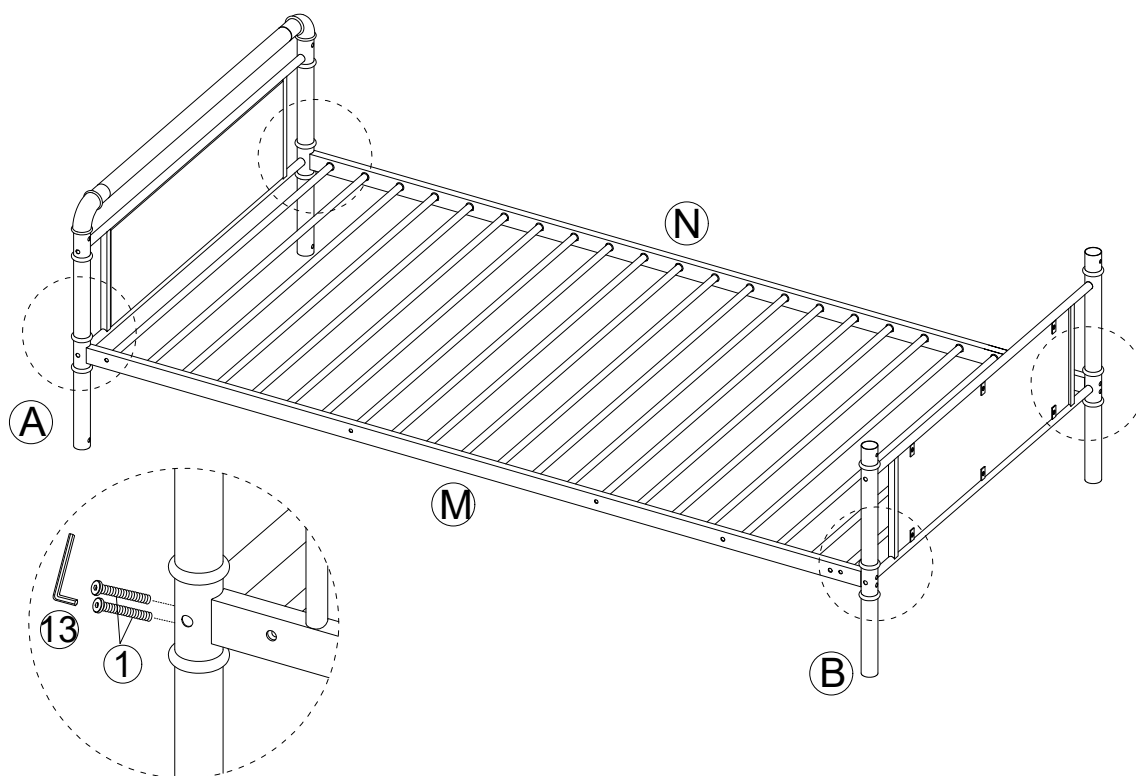
Mode 2-A





	①×8PCS
	⑬×1PC

Step 16

Mode 2-B

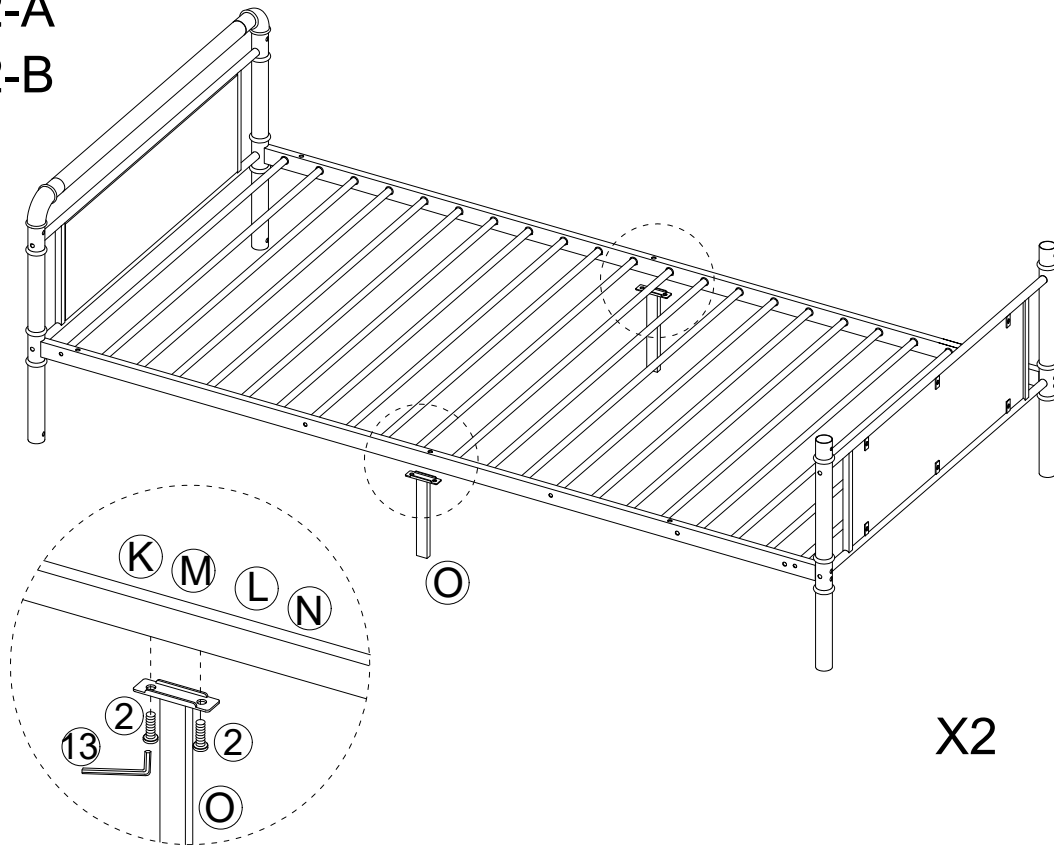


	①×8PCS
	⑬×1PC



Step 17

Mode 2-A

Mode 2-B



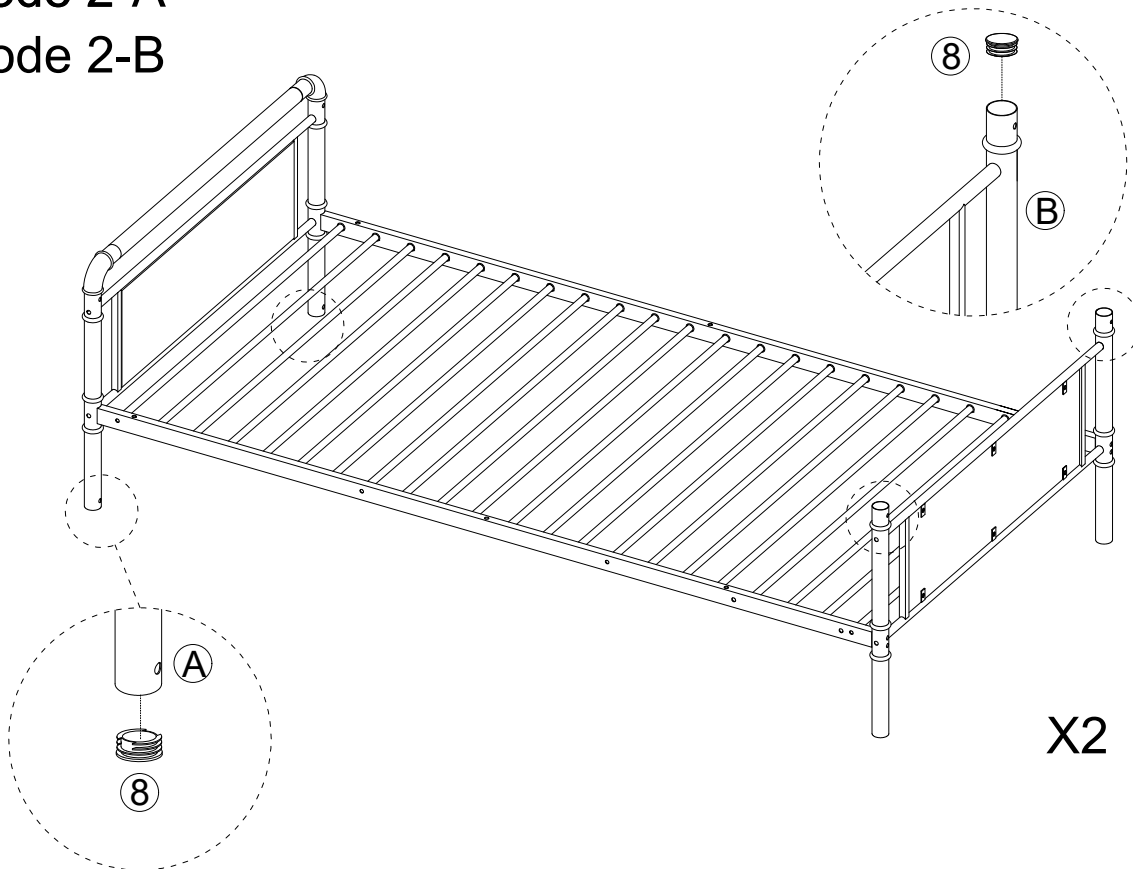
⚠ **Tip:** When used as a single bed, remember to lock the support feet.


	②×8PCS
	⑬×1PC

Step 18

Mode 2-A

Mode 2-B

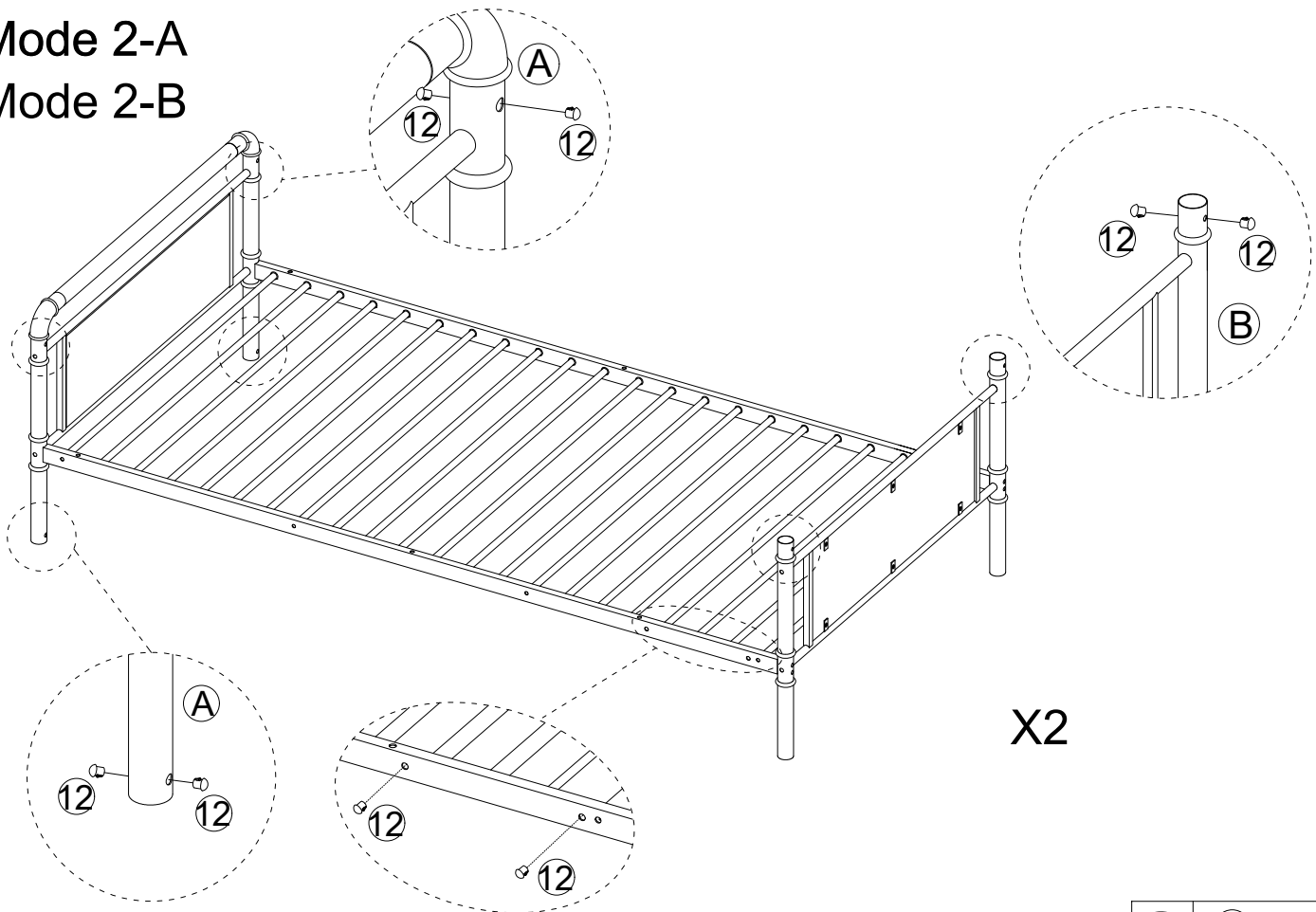


	⑧×8PCS
---	--------

Step 19

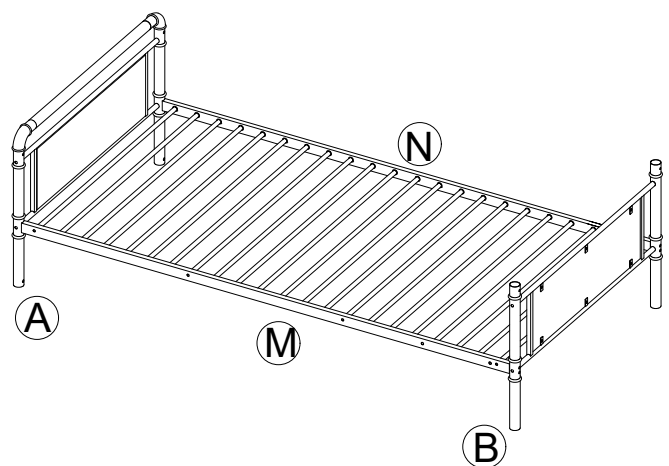
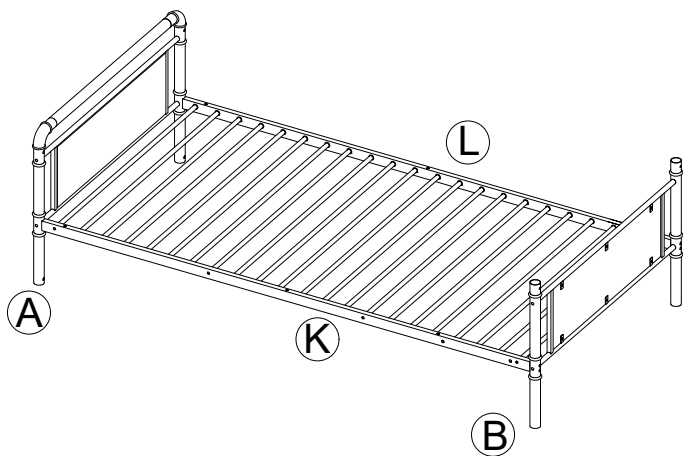
Mode 2-A

Mode 2-B



Mode 2-A

Mode 2-B



Congratulation! You finished assemble of the Mode 2-two single bed on the end of this step.