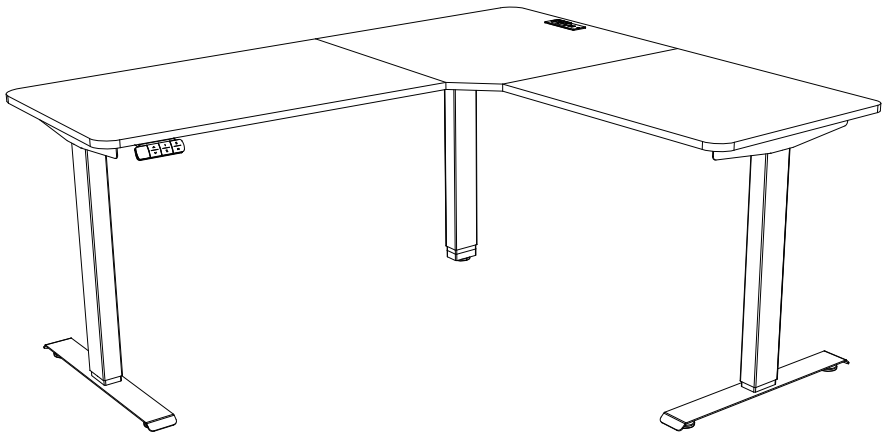


Electric Standing Desk Instruction Manual

)



Thank you for choosing this product. We strive to provide you with the best quality products and service in the industry. Should you have any issues, please don't hesitate to contact us.

Specifications

Height Adjustment Range:
27.9"—46.8" (71—119cm)



Power Input
100V—120V



Max. Speed
25mm/s

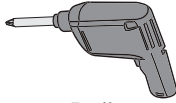


Operating Noise
< 50dB



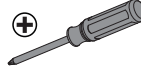
Load Capacity
330 lbs / 150kg

Tools Needed (not included)



Drill

OR



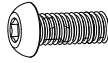
Phillips Screwdriver

Supplied Parts and Hardware for Step 1



Bolt
M6 x 10mm

A x 12



Bolt
M6 x 14mm

B x 14



Allen Wrench
5/32" (4mm)

C x 1



Side Desk Leg

01 x 2



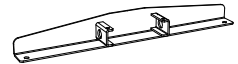
Middle Desk Leg

02 x 1



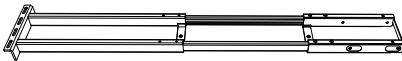
Leg Base

03 x 2



Side Plate

04 x 3



Long-Side Desk Frame Section

05 x 1



Short-Side Desk Frame Section

06 x 1

Supplied Parts and Hardware for Step 2



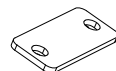
Screw
ST5 x 16mm

D x 10



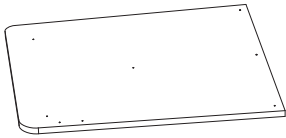
Wood Dowel Pin

E x 6



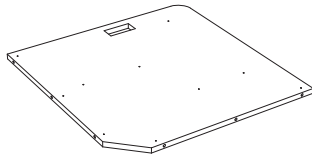
Desktop Panel
Connector

F x 5



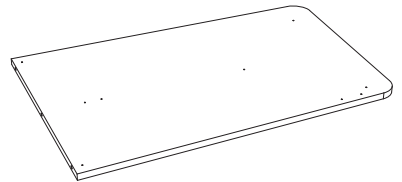
Right Desktop Panel

07 x1



Middle Desktop Panel

08 x1



Left Desktop Panel

09 x1

Supplied Parts and Hardware for Step 3



Bolt
M6 x 10mm

A x12



Screw
ST5 x 16mm

D x13



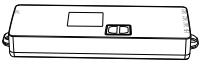
Screw
ST4.2 x 16mm

G x2



Allen Wrench
5/32" (4mm)

C x1



Power Connection
Box

10 x1



Controller

11 x1

Supplied Parts and Hardware for Step 4



Power Cable

12 x1



Motor Connection Cable

13 x3



Cable Clip

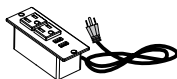
14 x6

Supplied Parts and Hardware for Step 5



Screw
ST4 x 16mm

H x2

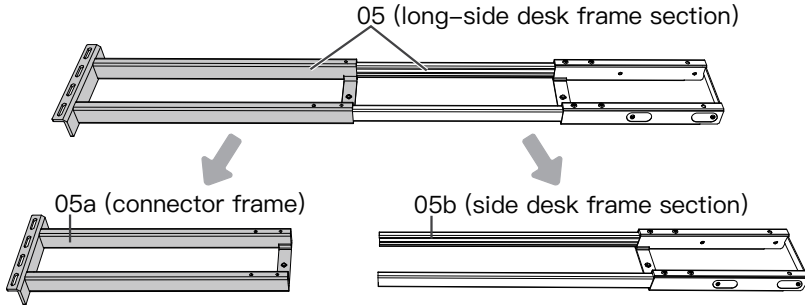


Desktop Power Outlets

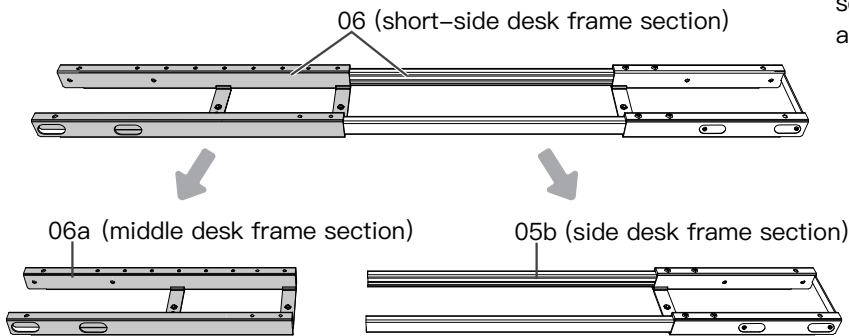
15 x1

Step 1: Assembling the Leg Sections

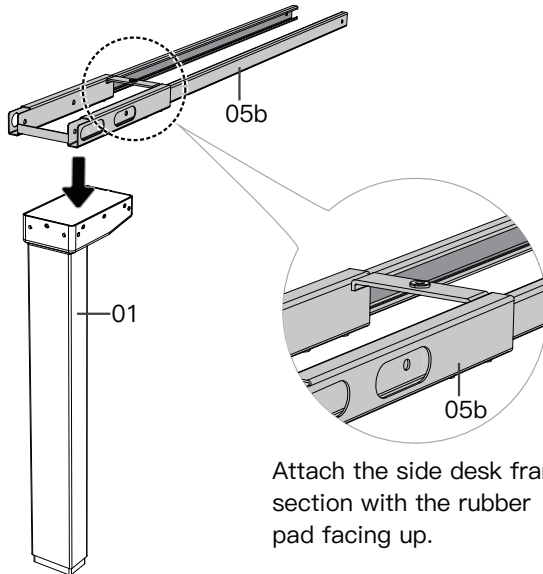
Separate the frame sections.



NOTE: The two side desk frame sections (05b) are the same.

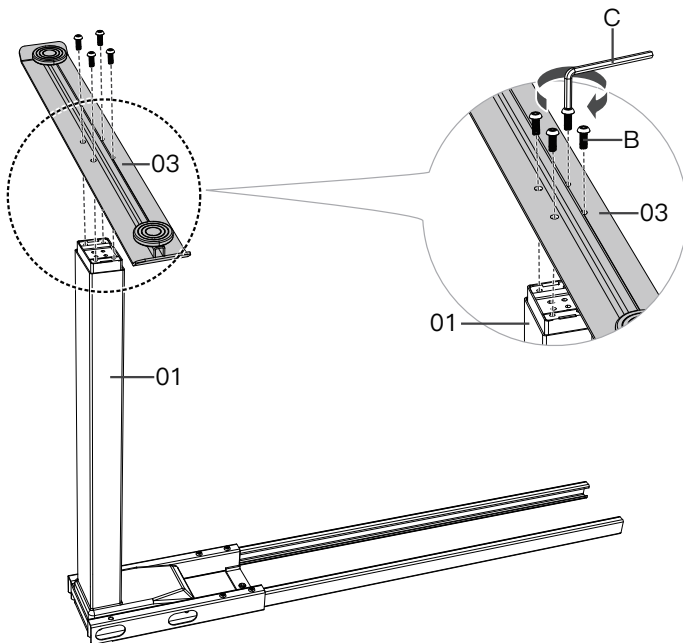
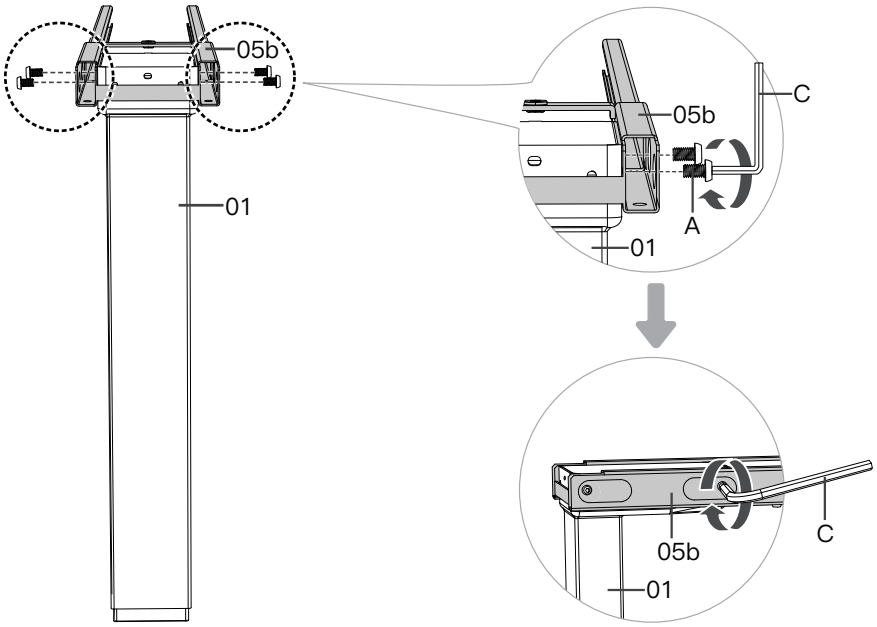


Assemble the two side leg sections (don't use the leg with the small base).

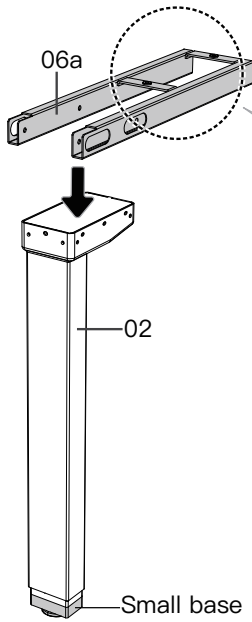


Attach the side desk frame section with the rubber pad facing up.

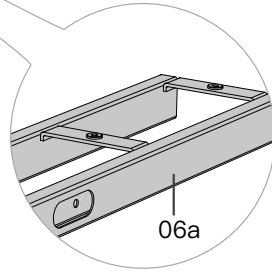
Screw in the bolts, but do not fully tighten them until all four bolts are in place.



Assemble the middle leg section (using the leg with the small base).

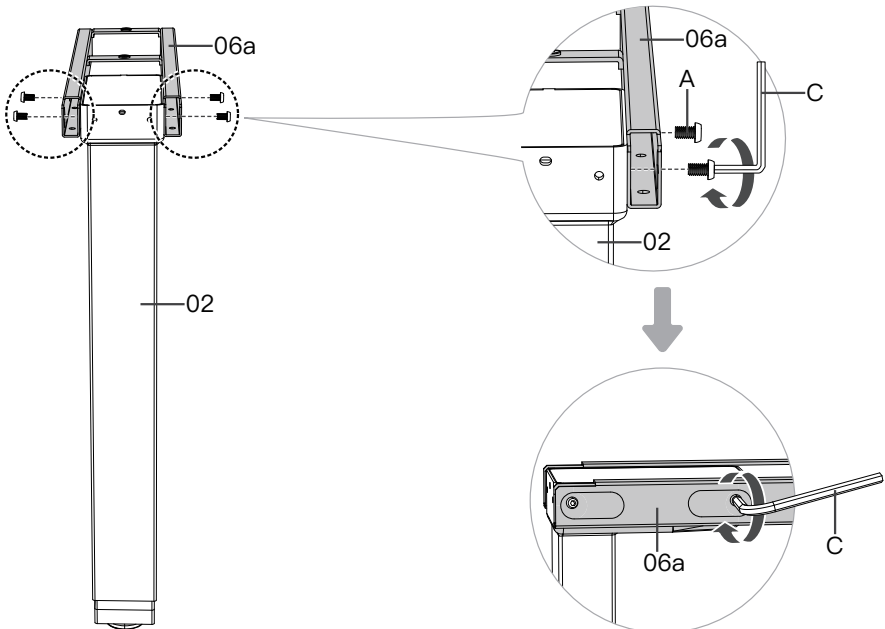


 **HEAVY!** You may need assistance with this step

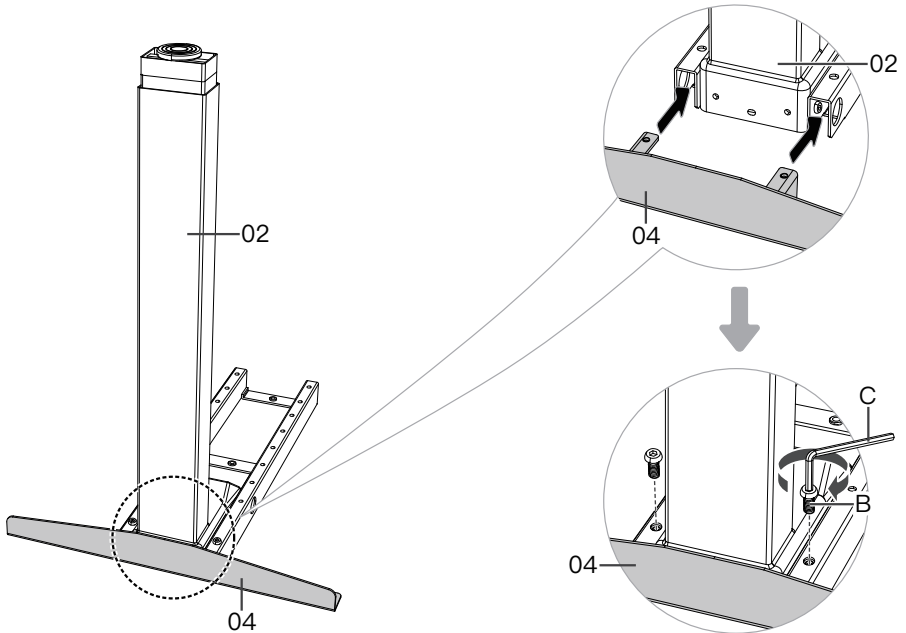
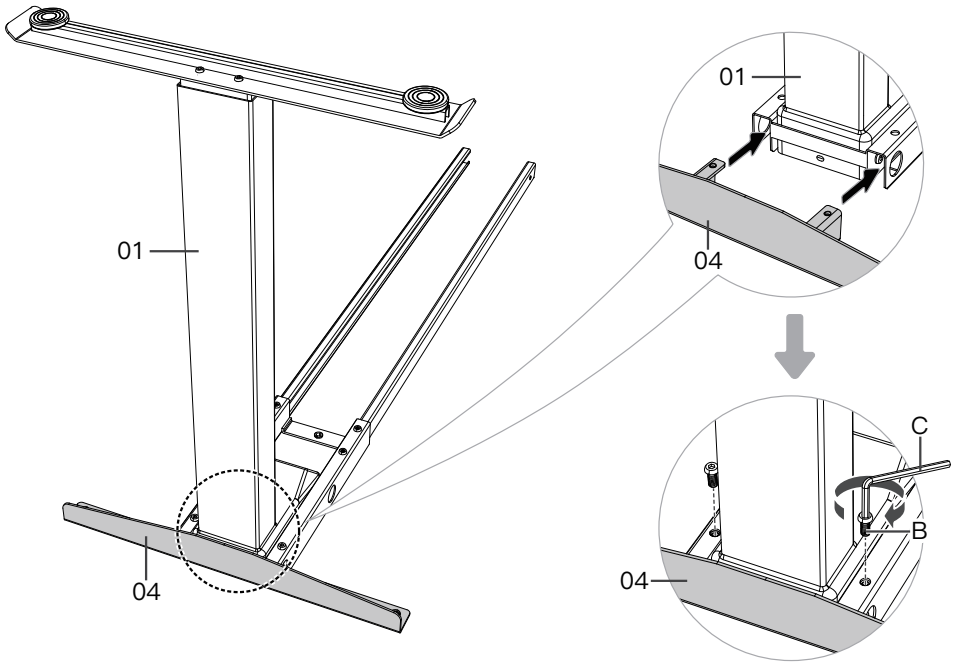


Attach the middle desk frame section with the rubber pad facing up.

Screw in the bolts, but do not fully tighten them until all four bolts are in place.

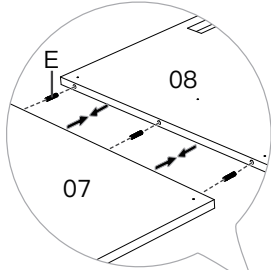


Attach the side plates to all three leg sections.

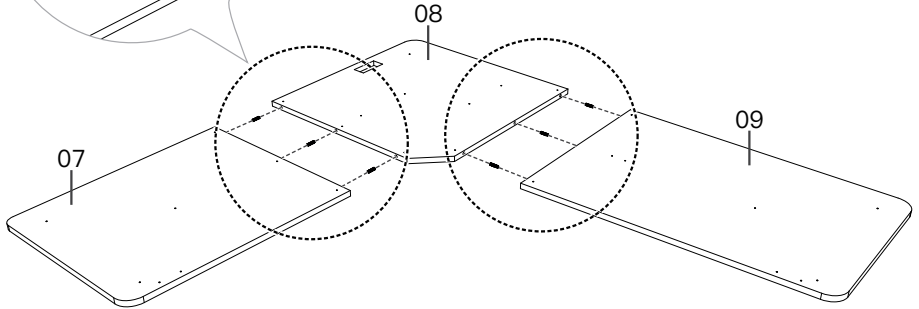


Step 2: Assembling the Desktop

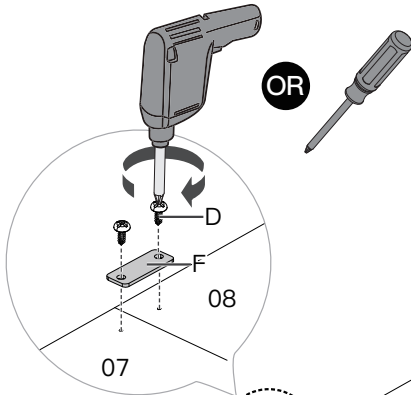
Connect the desktop panels using the wood dowel pins.



NOTE: The long side of the desktop (shown on the right below for assembly) will be on the left side.



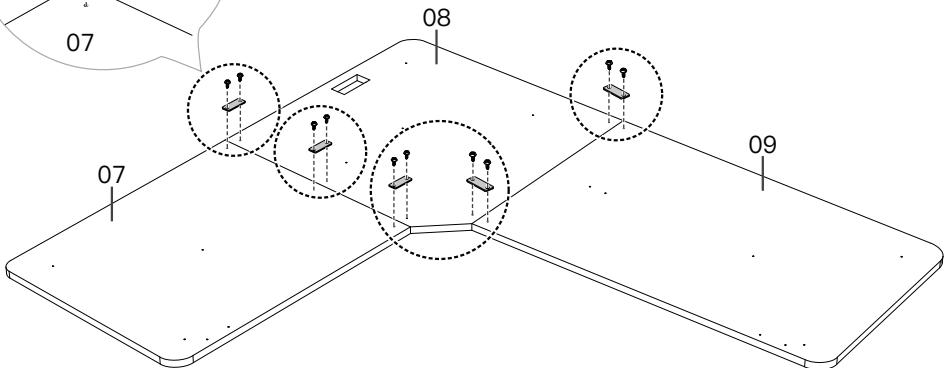
Secure the desktop panels with the connectors.



OR

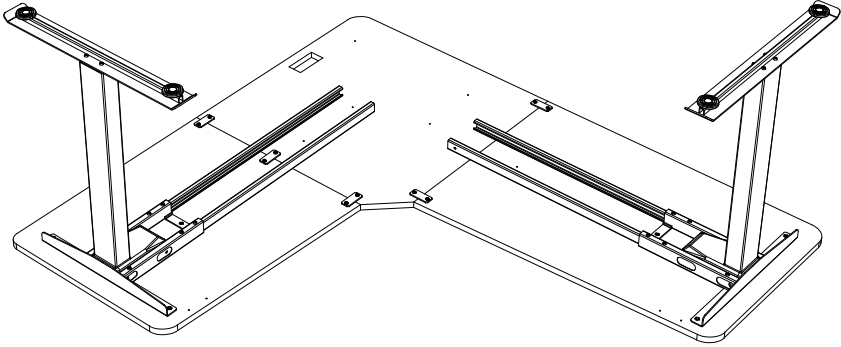


You can use a drill (with suitable torque and speed) or a Phillips screwdriver.

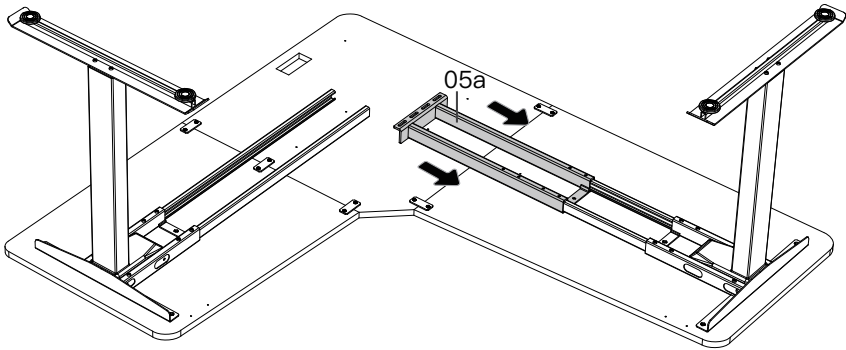


Step 3: Attaching the Frame and Other Parts to the Desktop

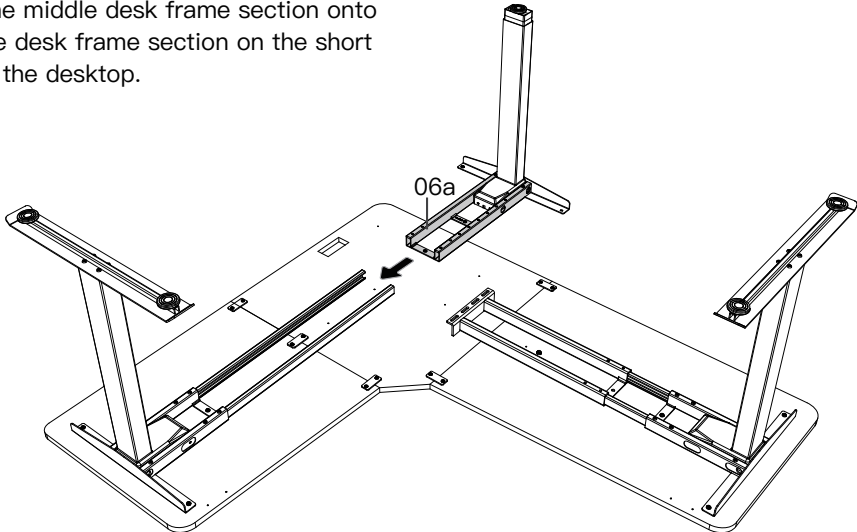
Place the two identical side leg sections on the desktop and align with the screw holes.



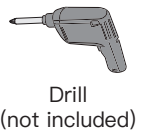
Slide the connector frame onto the side desk frame section on the long side of the desktop.



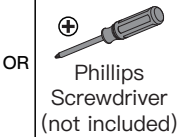
Slide the middle desk frame section onto the side desk frame section on the short side of the desktop.



Extend the connector frame to the middle desk frame section. Ensure the screw holes are still aligned, and then secure the frame to the desktop.

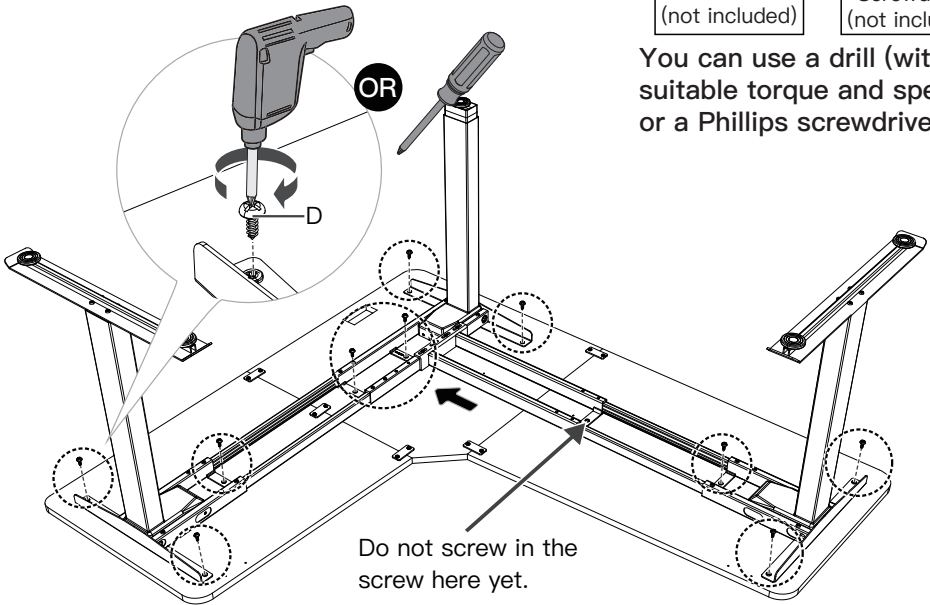


Drill
(not included)

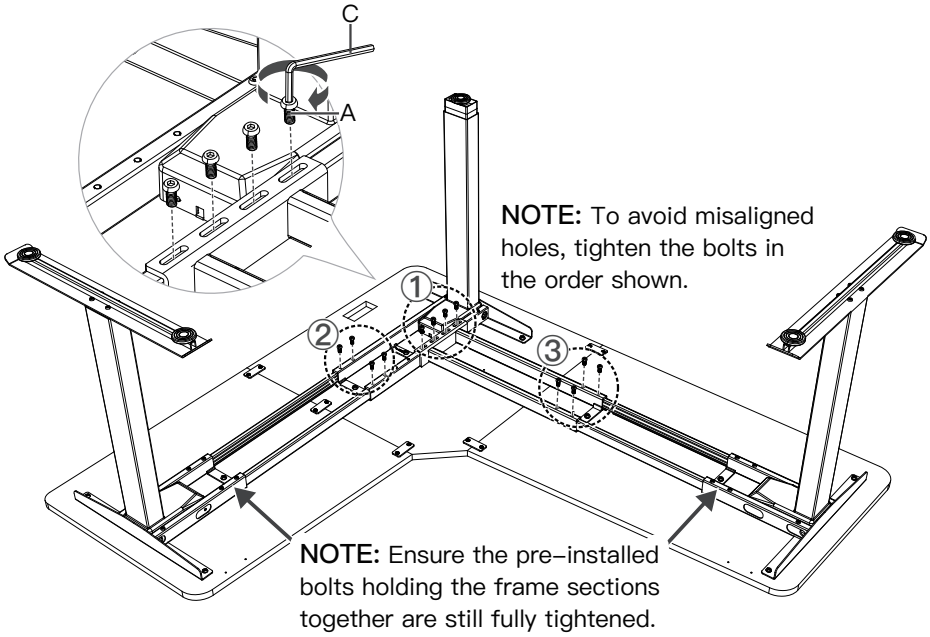


OR
Phillips
Screwdriver
(not included)

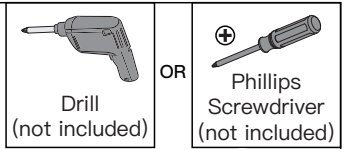
You can use a drill (with suitable torque and speed) or a Phillips screwdriver.



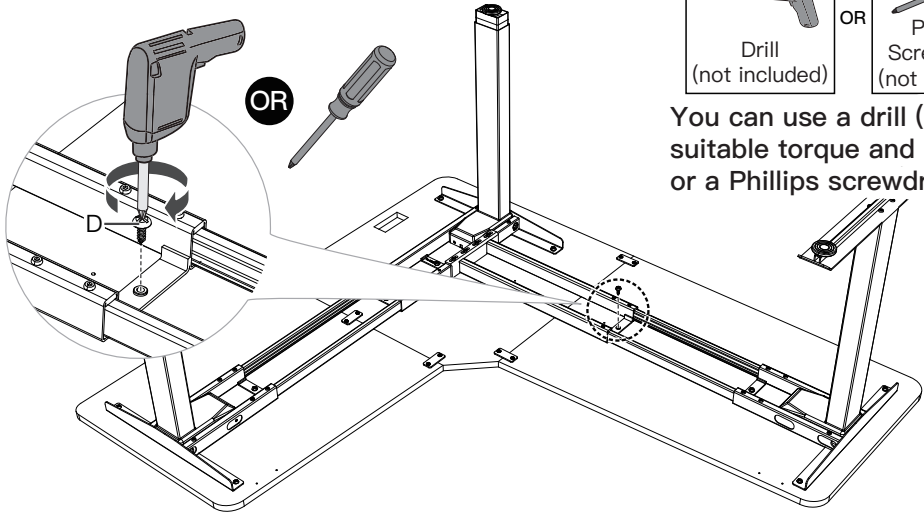
Secure the middle desk frame section, side desk frame sections, and connector frame.



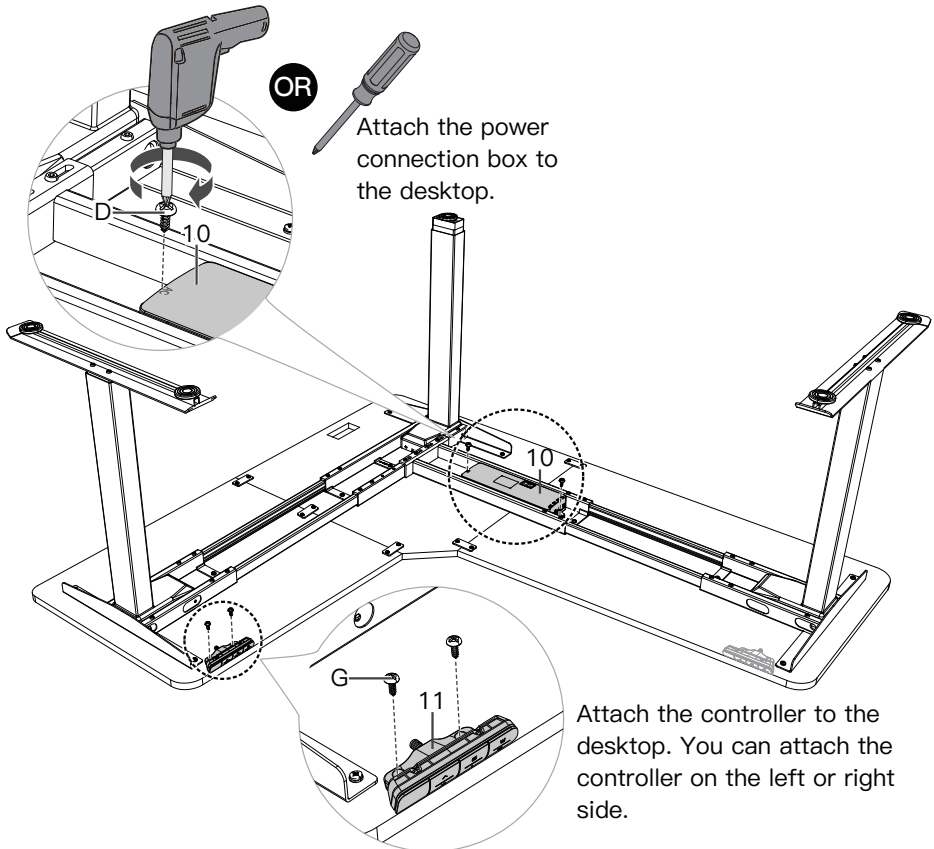
Screw in the last screw securing the frame to the desktop.



You can use a drill (with suitable torque and speed) or a Phillips screwdriver.

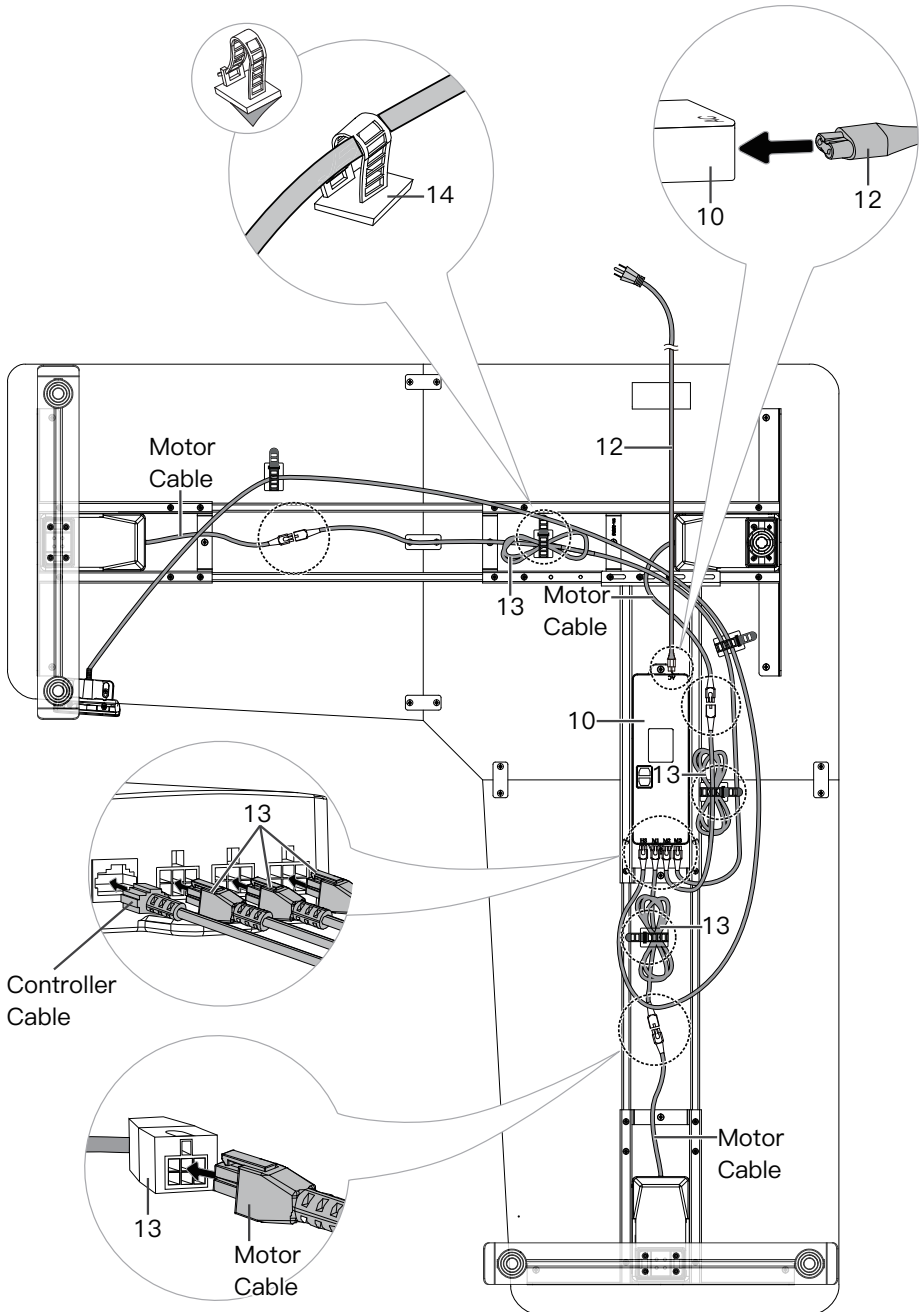


Attach the power connection box to the desktop.

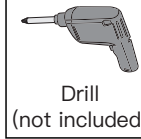


Attach the controller to the desktop. You can attach the controller on the left or right side.

Step 4: Connecting the Cables



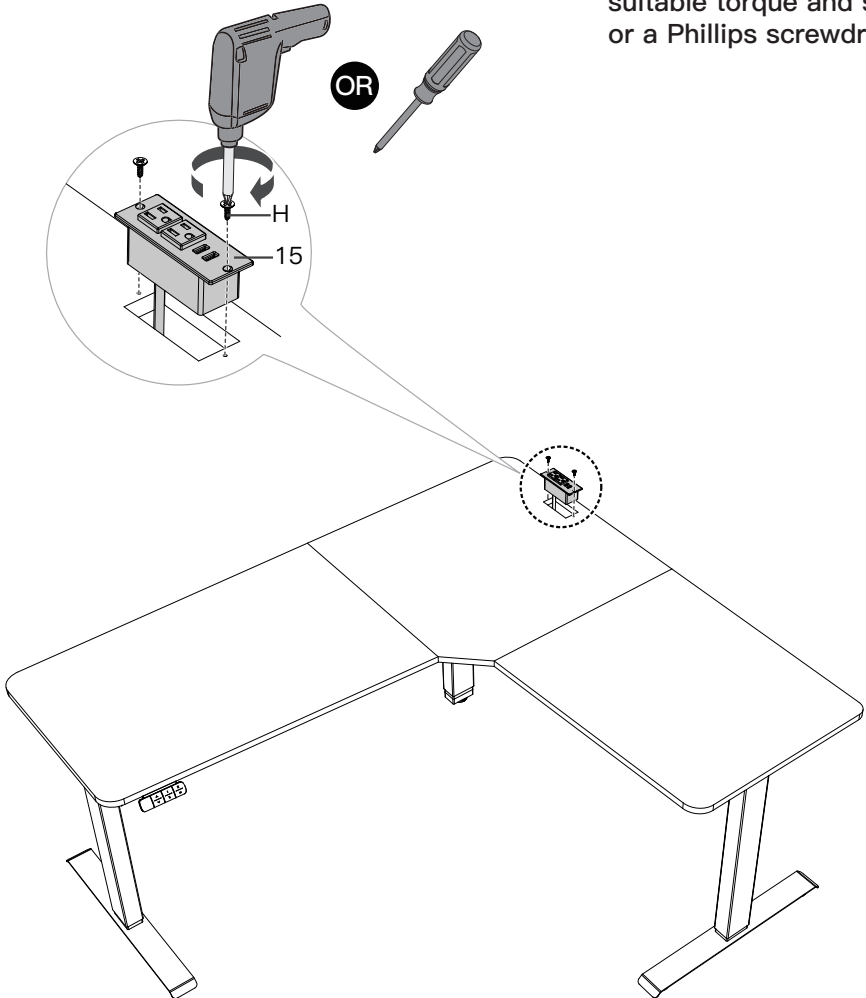
Step 5: Installing the Desktop Power Outlets



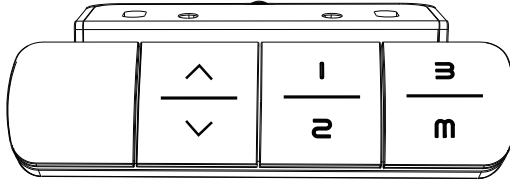
OR



You can use a drill (with suitable torque and speed) or a Phillips screwdriver.



Using the Controller



Note: Ensure that there are no obstacles when using the desk, that the desktop is not right next to the wall, and that all cables are long enough for the desk to move up and down freely.

Suggestion: Set the most comfortable height when you sit down to **1** and the most comfortable height when you stand up to **2**. The other preset can be set for another user or to another height you want to use.

Main Settings



Save Current Height Setting	Press the M button and the screen will display 'S-.' Then press the 1 , 2 , or 3 button to save the current height to that button. When you press 1 , 2 , or 3 , the desk will move to the height that was previously set for that button. Press any button to stop the desk.
Reset	<ol style="list-style-type: none">1. Press and hold the V button until the desk goes down to its lowest level, and then release the button.2. Press and hold V for 5 seconds until the screen displays 'RST,' and then release the button with 'RST' flashing.3. Press and hold V again until the desk goes down to its lowest level and comes back up slightly. Reset is complete. <p>Protection Mode: If the screen shows error code 'E07,' 'E08,' or 'E09,' the buttons will be disabled, even after powering off and on again. Please reset.</p>
Set Highest Height Limit	<ol style="list-style-type: none">1. Press the M button and the screen will display 'S-.'2. Press and hold the A button until 'S-' flashes once, and then release the button.3. Quickly press and hold M again for 2 seconds, and '999' will be displayed on the screen. Setting the highest limit is complete.

<p>Set Lowest Height Limit</p>	<ol style="list-style-type: none"> 1. Press the [M] button and the screen will display ‘S-.’ 2. Press and hold the [V] button until ‘S-’ flashes once, and then release the button. 3. Quickly press and hold [M] again for 2 seconds, and ‘000’ will be displayed on the screen. Setting the lowest limit is complete.
<p>Clear Highest/Lowest Height Limit</p>	<p>Press the [M] button and the screen will display ‘S-.’ Press and hold [M] again for 2 seconds, and ‘555’ will be displayed on the screen. Clearing the highest/lowest limit is complete.</p>
<p>Lock/Unlock</p>	<ol style="list-style-type: none"> 1. To turn the lock on, press and hold [M] for 8 seconds, and the screen will display ‘S-,’ and then ‘LOC.’ The buttons will be disabled. 2. To turn the lock off, press and hold [M] for 8 seconds, and the screen will display current height. The buttons will be operable again.

Other Settings

To adjust the settings below, follow the reset instructions until the screen displays ‘RST.’ Next, follow the instructions for adjusting individual settings. Afterward, the screen will display ‘RST’ again. To exit, press and hold the **[V]** button until the desk goes down to its lowest level and comes back up slightly. The screen will display the current height.

<p>Change Displayed Minimum Height</p>	<p>If you attach a different desktop or add other things that change the desk surface level, you can adjust the displayed height to match. Press and hold the [M] button for 5 seconds, and current minimum height will flash on the screen. Press the [A] or [V] button to adjust the minimum height, and then release the button to save. After 5 seconds, the screen will show ‘RST’ again. Saving is successful.</p>
<p>Change Height Settings Operation</p>	<p>Press and hold the [1] button for 5 seconds to switch the mode.</p> <p>10.1: One-Press Mode. Short-press the [1], [2], or [3] button and the desk will move to the height set for that button.</p> <p>10.2: Press & Hold Mode. Long-press the [1], [2], or [3] button, and the desk will move toward the height set for that button while the button is held down.</p>

<p>Change Display Height Units</p>	<p>Press and hold the  button for 5 seconds to switch the display height units.</p> <p>10.3: Metric (cm) 10.4: Imperial (inch)</p>
<p>Change Collision Detection Sensitivity</p>	<p>Press and hold the  button for 5 seconds to switch sensitivity level.</p> <p>10.5: High Sensitivity 10.6: Medium Sensitivity 10.7: Low Sensitivity</p>

Troubleshooting

1. Please try resetting the desk if you have any issues like the following:
 - Abnormal operation.
 - The controller screen displays 'RST' (reset).
 - The controller screen displays error message E07 or E08, but the motor cables are connected correctly.
2. If the controller screen displays 'HOT,' please wait 20 minutes for the motors to cool down before making any further height adjustment.