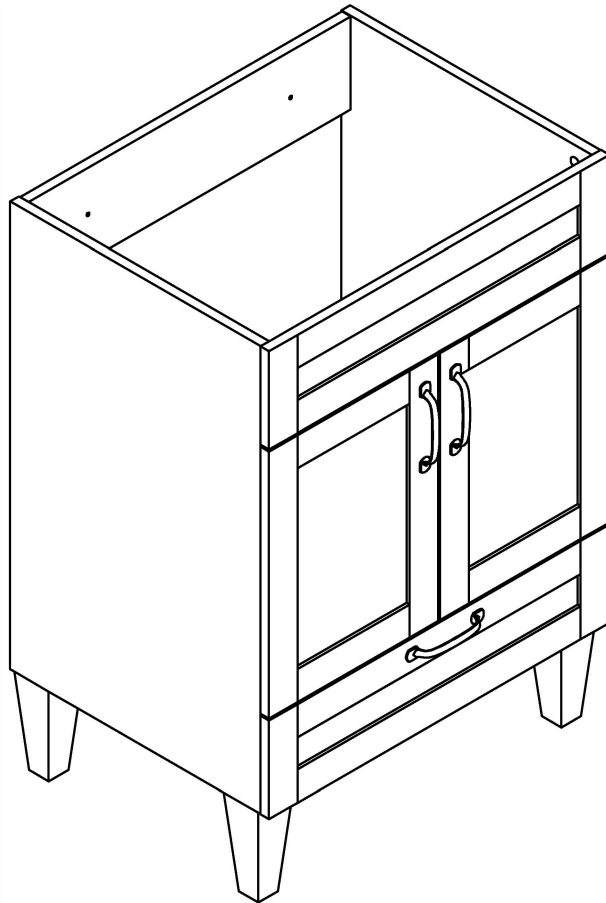


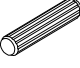
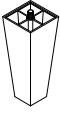



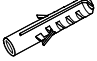
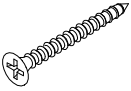
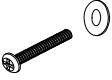
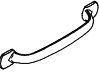
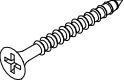
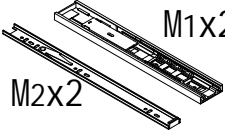
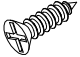
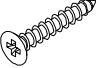
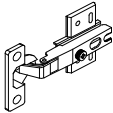

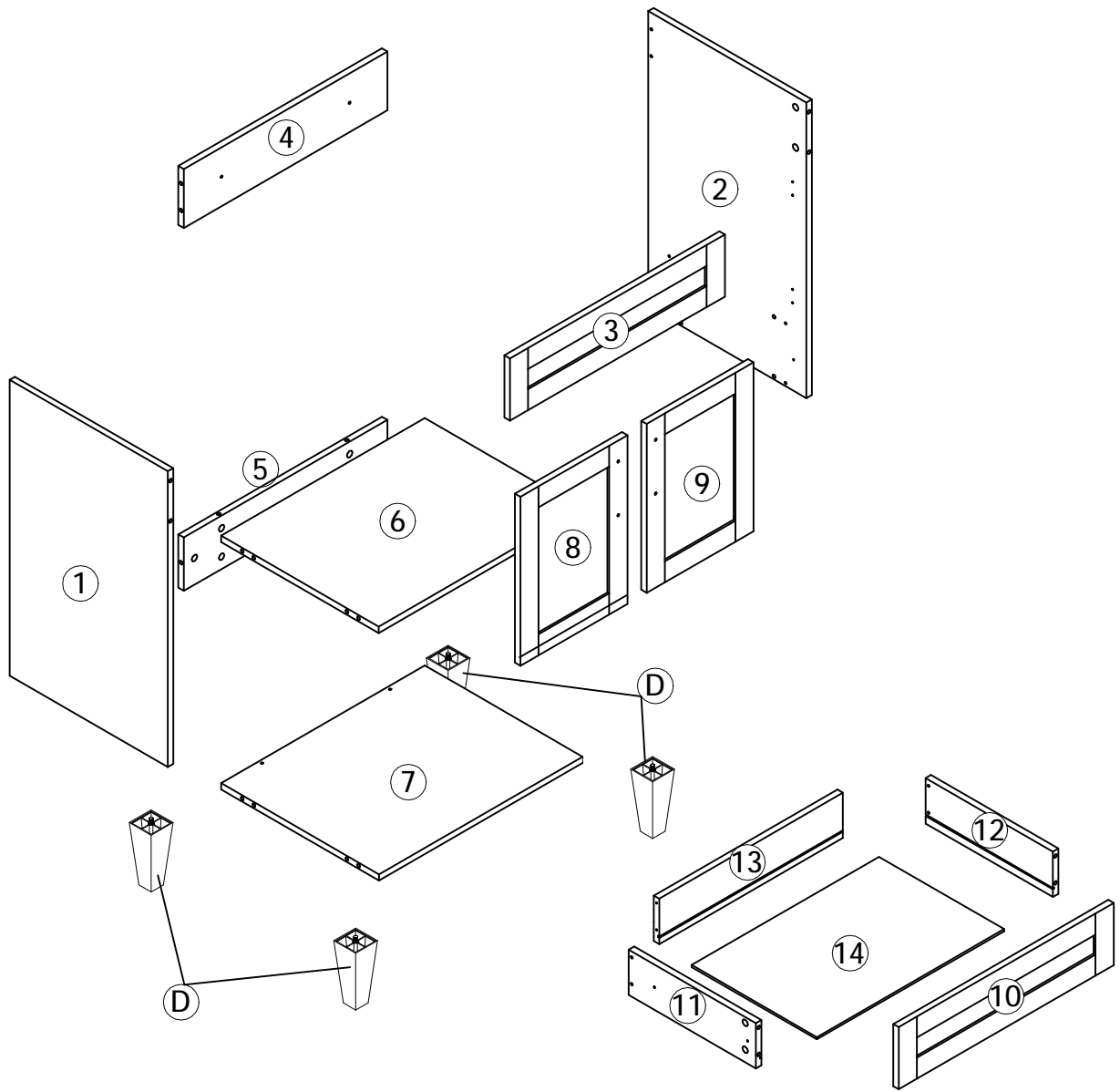

Assembly Instructions



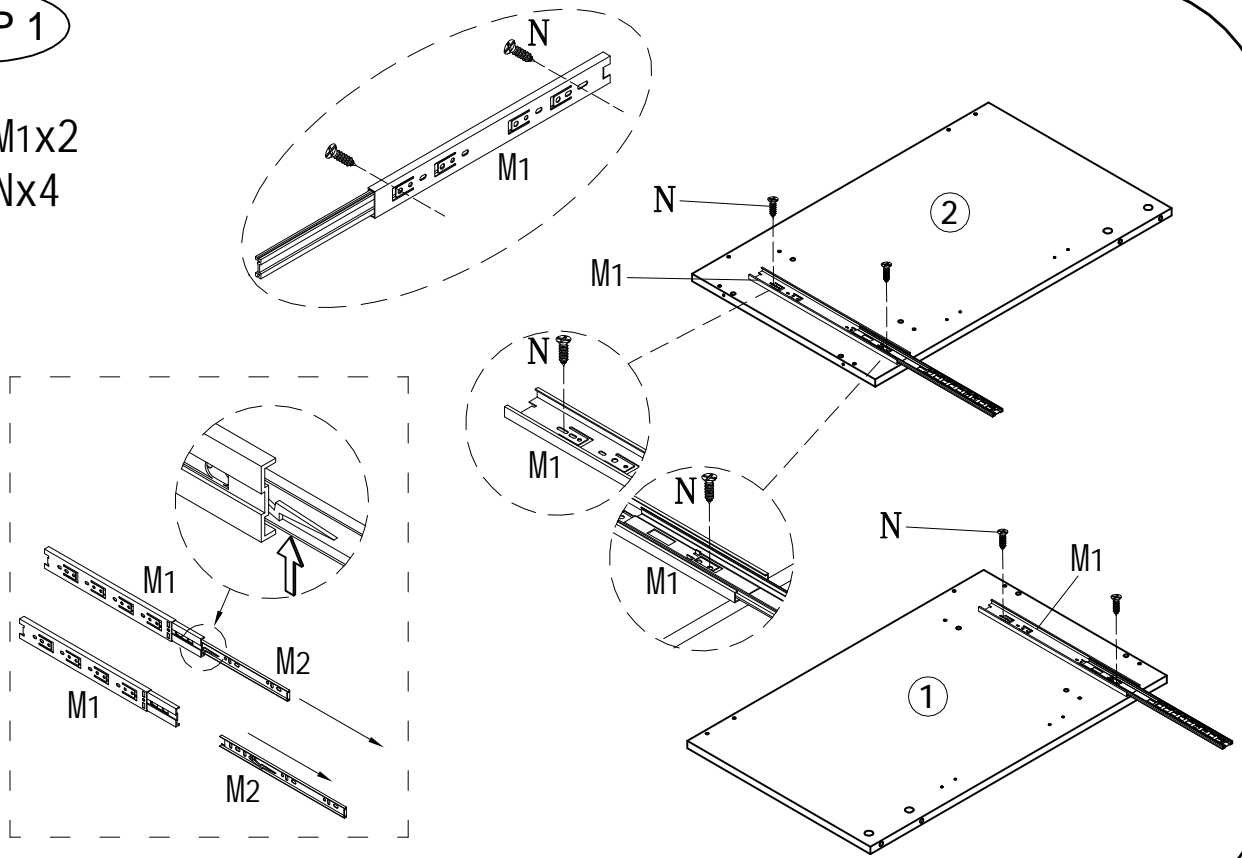
Assembly Instructions

<p>Ø15x12</p>  <p>A x 26</p>	<p>Ø7x35</p>  <p>B x 26</p>	<p>Ø8x30</p>  <p>C x 8</p>	 <p>D x 4</p>
<p>76x76x2</p>  <p>E x 4</p>	<p>14MM</p>  <p>F x 1</p>	<p>M8</p>  <p>G x 4</p>	<p>Ø7.8x38</p>  <p>H x 2</p>
<p>Ø4x40</p>  <p>I x 4</p>	<p>M4x20</p>  <p>J x 6</p>	<p>131x20x21</p>  <p>K x 3</p>	<p>Ø5x70</p>  <p>L x 2</p>
<p>14"</p>  <p>M x 1</p>	<p>Ø3.5x14</p>  <p>N x 9</p>	<p>Ø4x16</p>  <p>O x 36</p>	 <p>P x 4</p>
<p>26x22x1</p>  <p>Q x 1</p>			



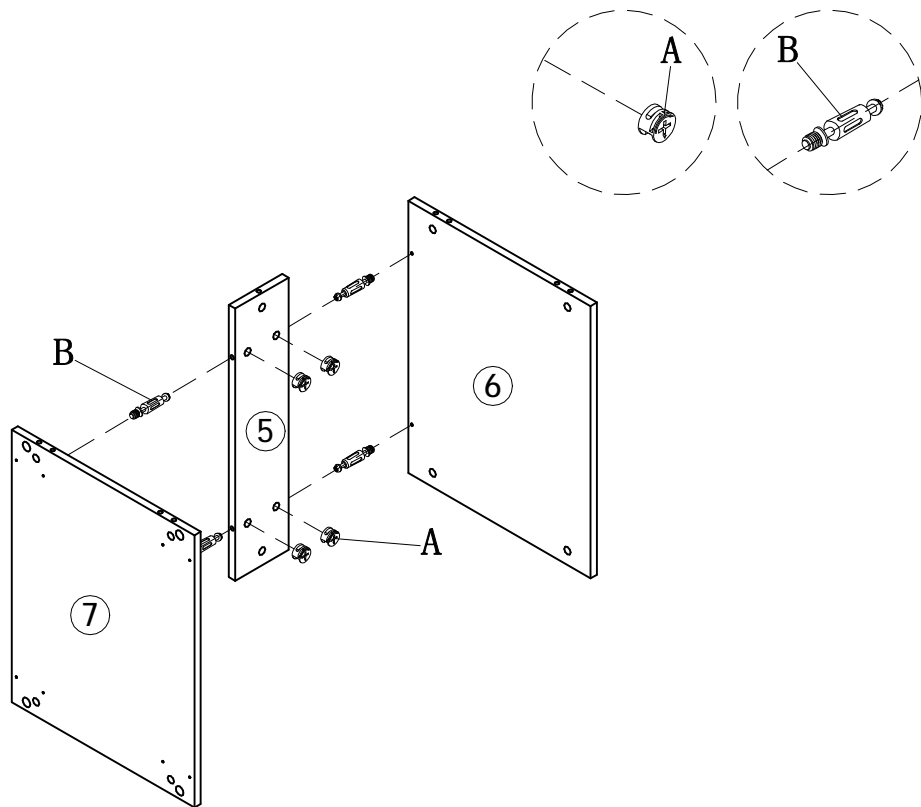
STEP 1

M1x2
Nx4



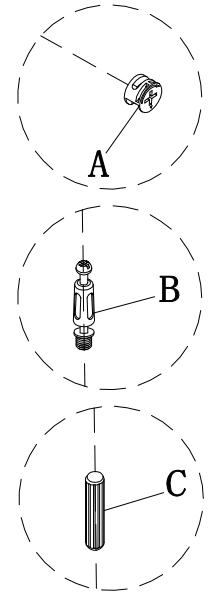
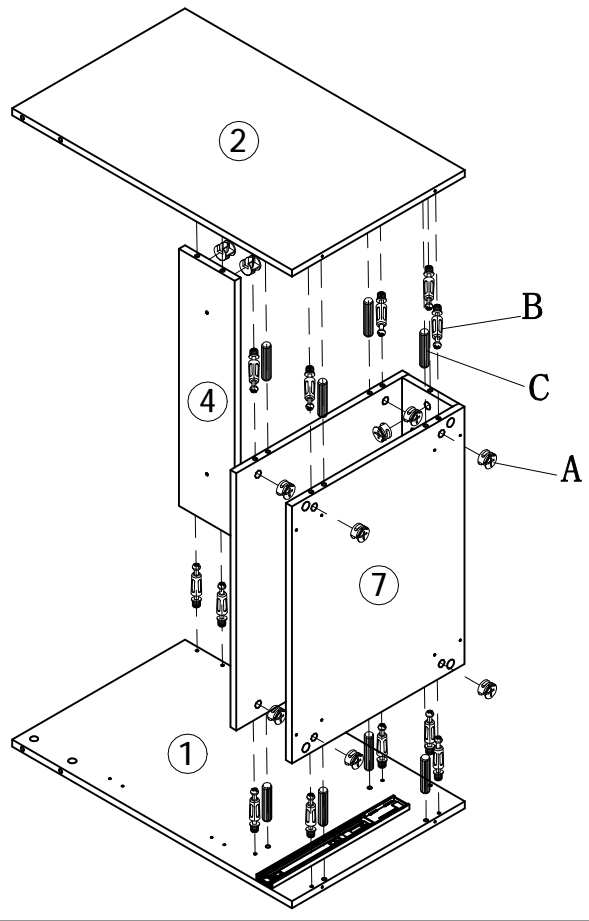
STEP 2

Ax4
Bx4



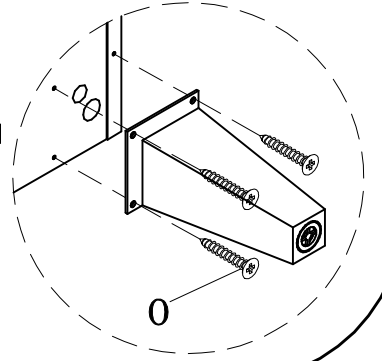
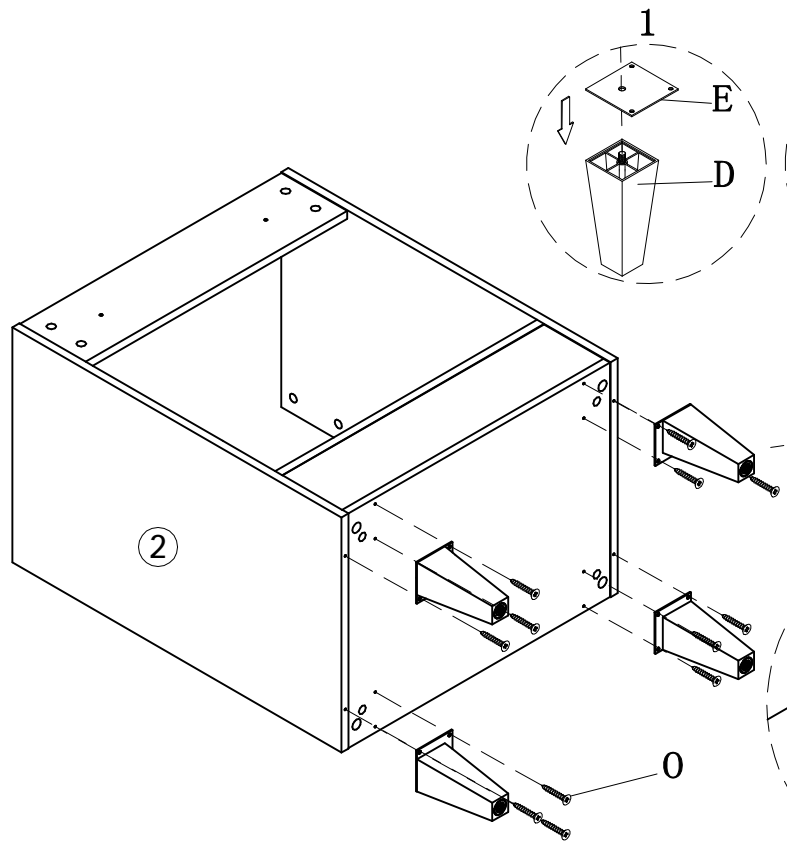
STEP 3

Ax14
Bx14
Cx8



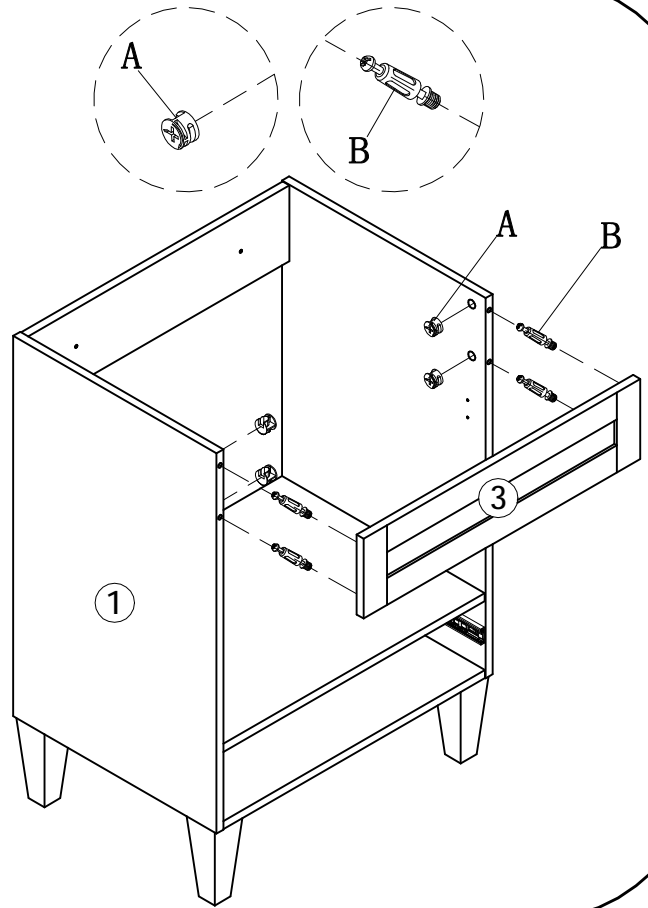
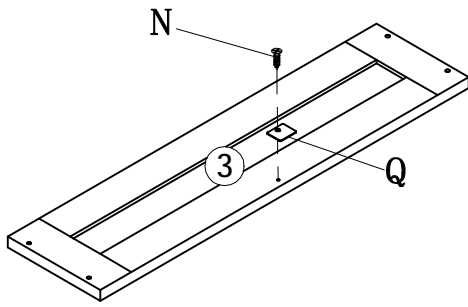
STEP 4

Dx4
Ex4
Fx1
Gx4
Ox12



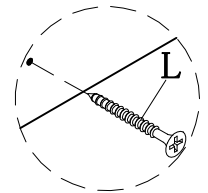
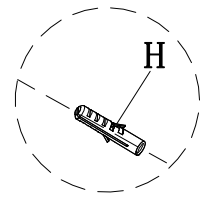
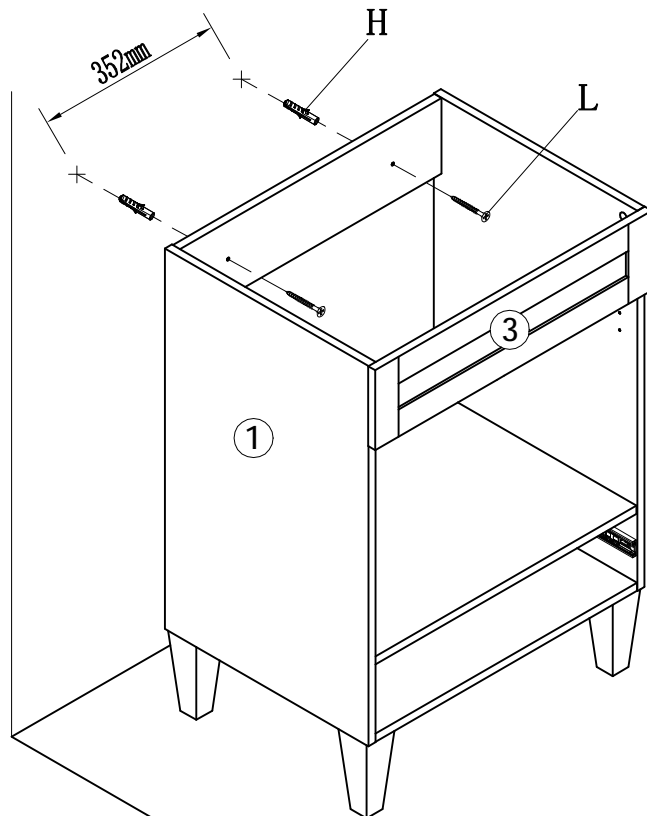
STEP 5

Ax4
Bx4
Nx1
Qx1



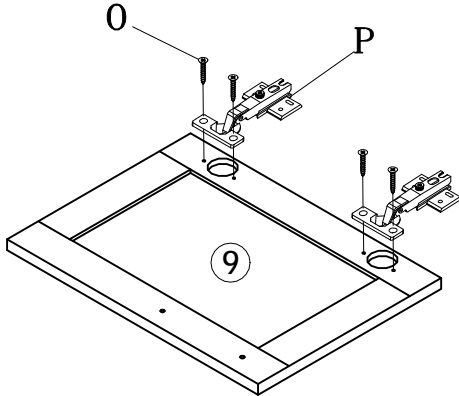
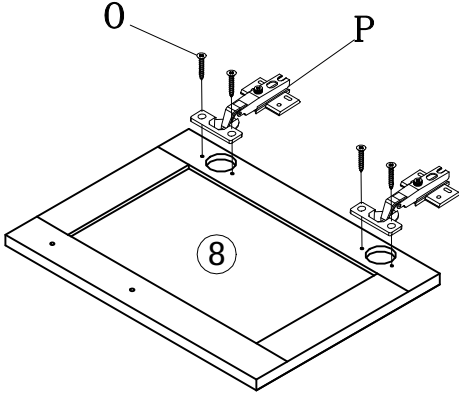
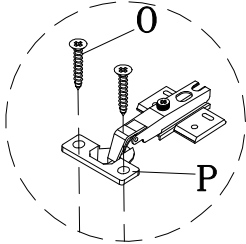
STEP 6

Hx2
Lx2



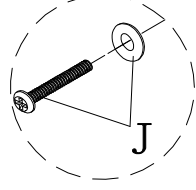
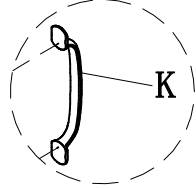
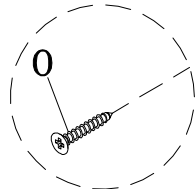
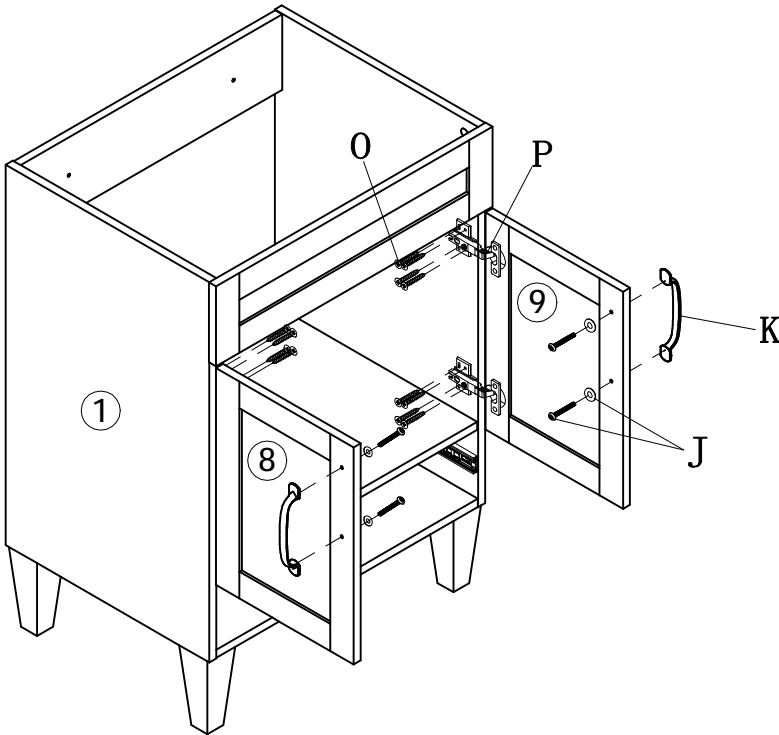
STEP 7

0x8
Px4



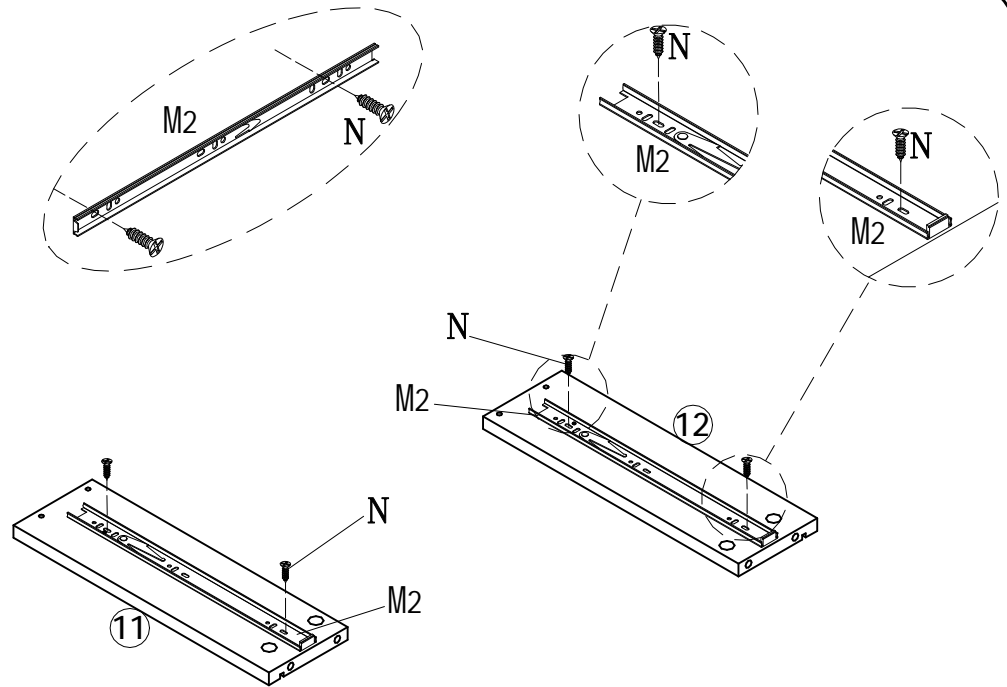
STEP 8

Jx4
Kx2
0x16



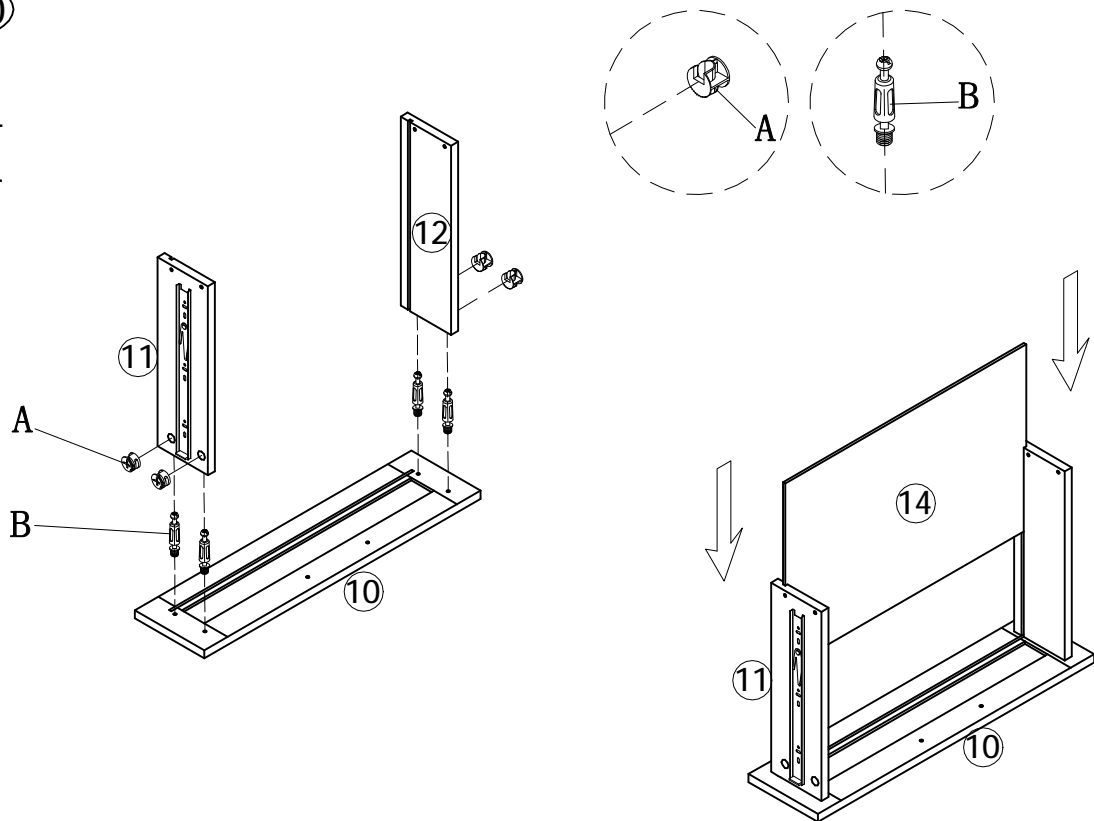
STEP 9

M2x2
Nx4



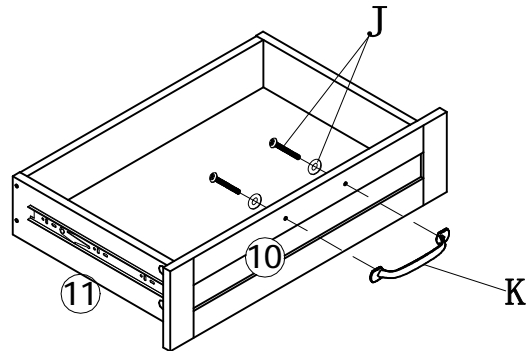
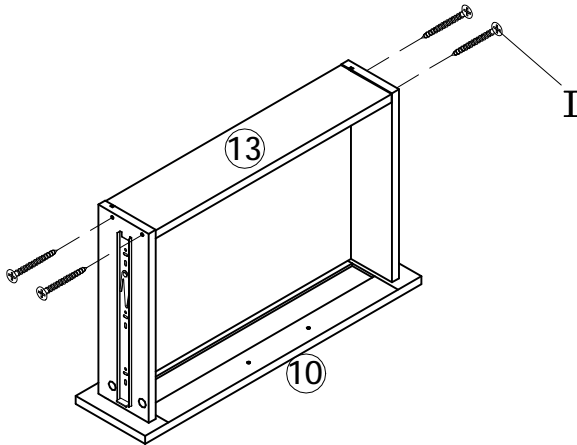
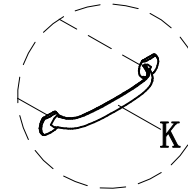
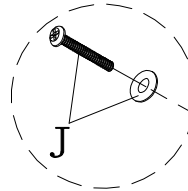
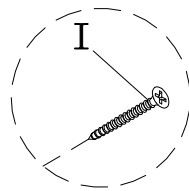
STEP 10

Ax4
Bx4

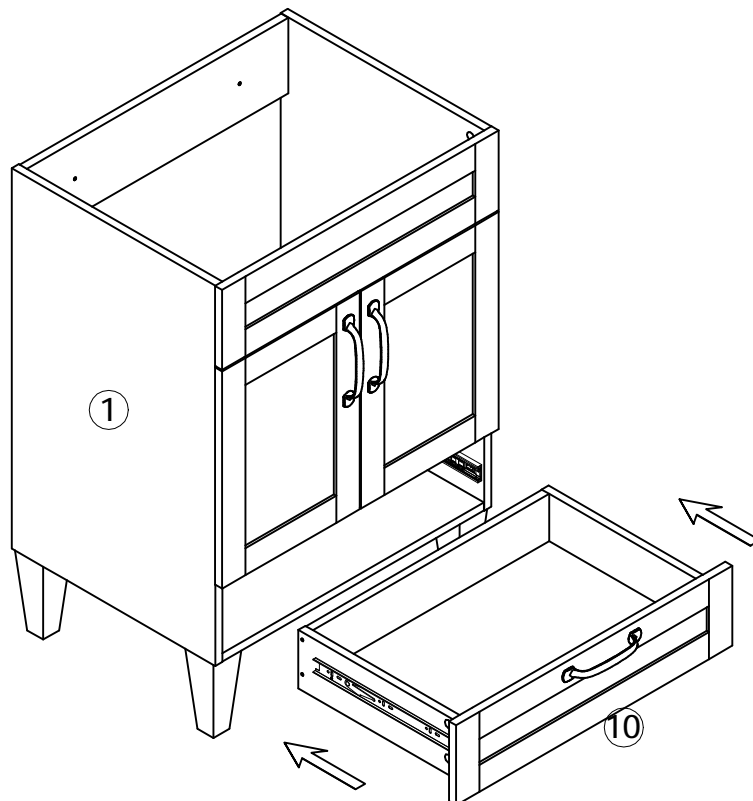


STEP 11

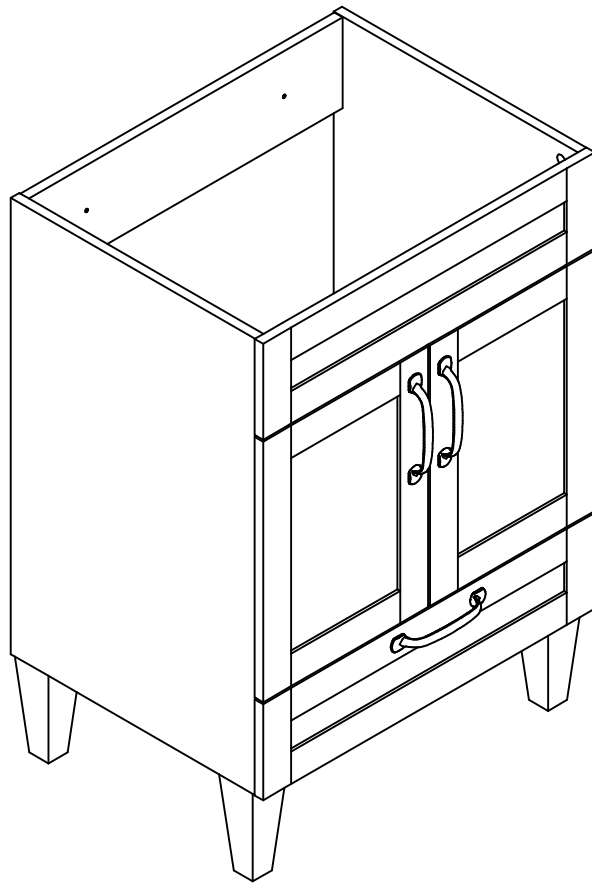
I x4
J x2
K x1



STEP 12



STEP 13



FINISH