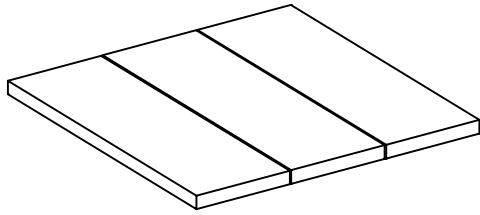


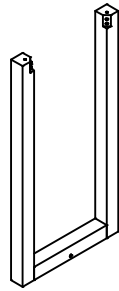


FOUR HANDS
FURNISHING STYLE

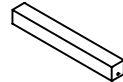
ASSEMBLY INSTRUCTIONS GAINES SQUARE OUTDOOR BAR TABLE



A = 1 pce



B = 2 pcs



C = 1 pce



D = 8 pcs



E = 4 pcs



F = 2 pcs



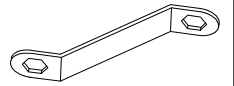
G = 2 pcs



H = 2 pcs

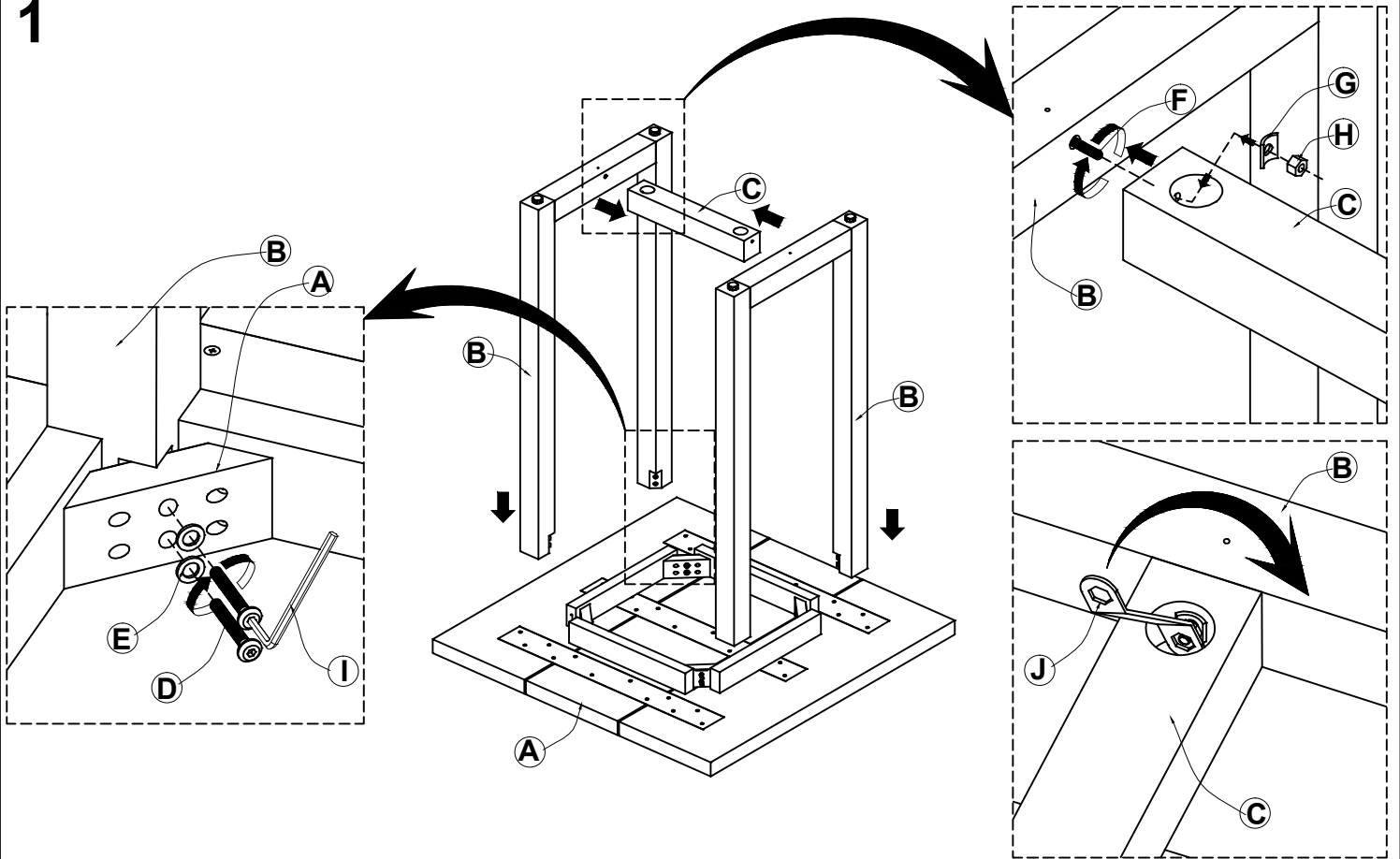


I = 1 pce



J = 1 pce

1



2

