



SPECIFICATIONS

COS-ERC365KBD Electric Range



Size	36 Inch / 6.1 cu. ft. Capacity
Fuel	Electric
Installation	Freestanding / Slide-In
Controls	Soft Touch Controls & Knobs
Oven	Standard Convection
Material	Glass, Stainless Steel
Electrical	240V / 60Hz, 50A
Racks	2 Racks, 6 Positions
Oven Functions	Bake, Convection Bake, Convection Roast, Pizza, Warm, Broil
Burners	• Surface Burners (x5) • Dual Element Burners (x2)

COS-ERC365KBD

Refine your culinary skills when you cook with Cosmo's COS-ERC365KBD Electric Range. 5 burners and 6.1 cu. ft. convection oven allow you to cook a variety of main dishes, sauces, baked goods and more.

Features

- Designed for freestanding or slide-in
- 5 surface burner cooktop with dual element burners
- 6.1 cu. ft. capacity convection oven
- 6 oven functions
- Soft touch controls with digital display
- Front control knobs



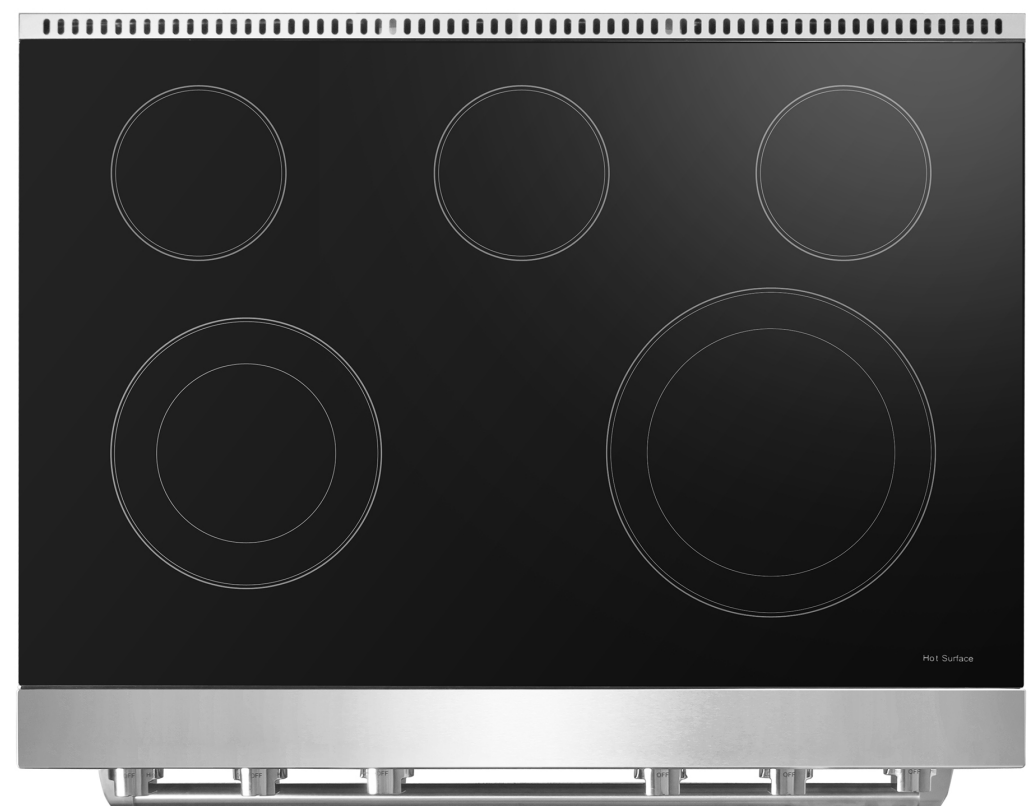
Surface Burners



Glass Cooktop



Digital Controls

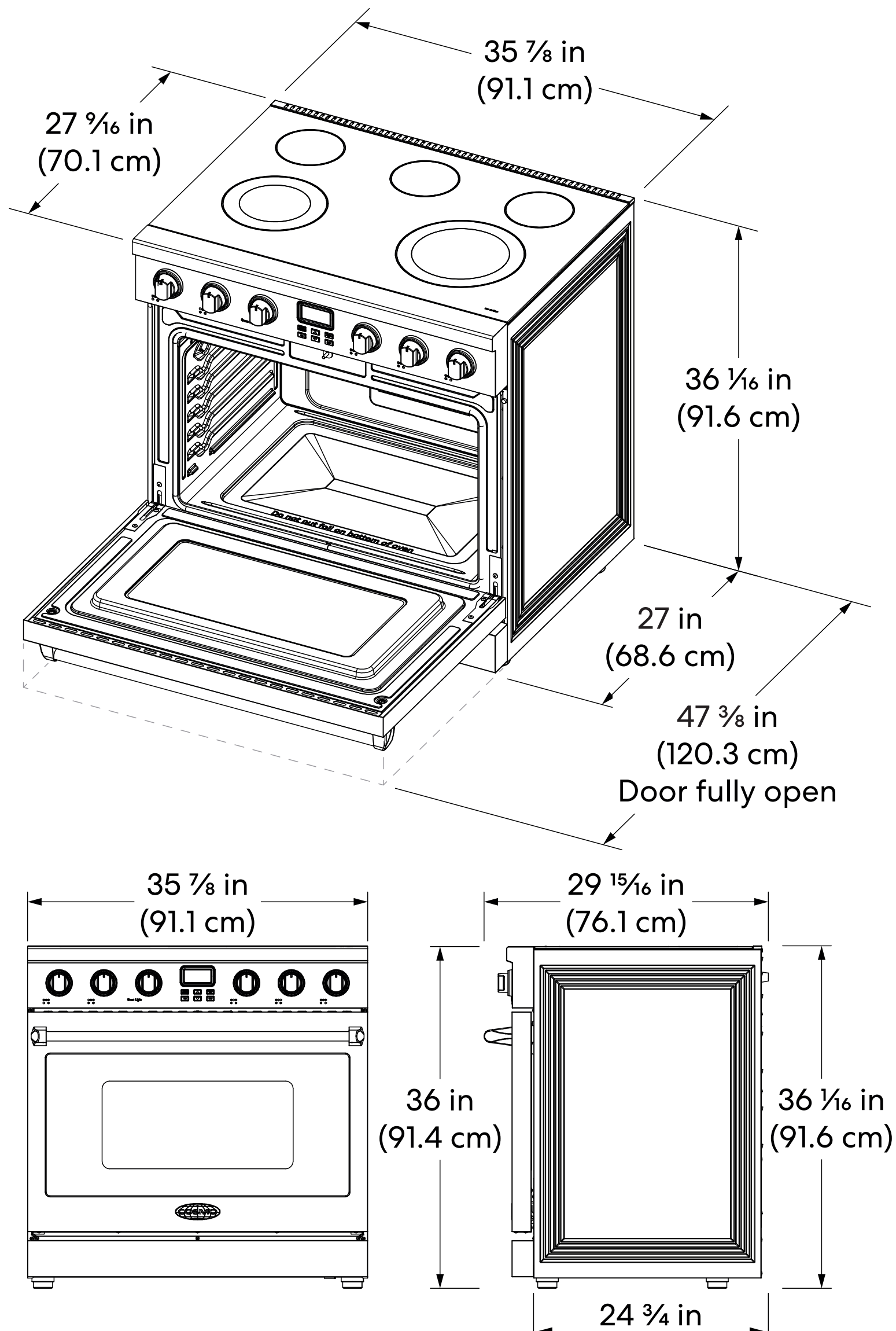


See Page 2 for dimensions



DIMENSIONS

COS-ERC365KBD Electric Range



Dimensions (WxDxH): 35.9" x 30" x 36-39"