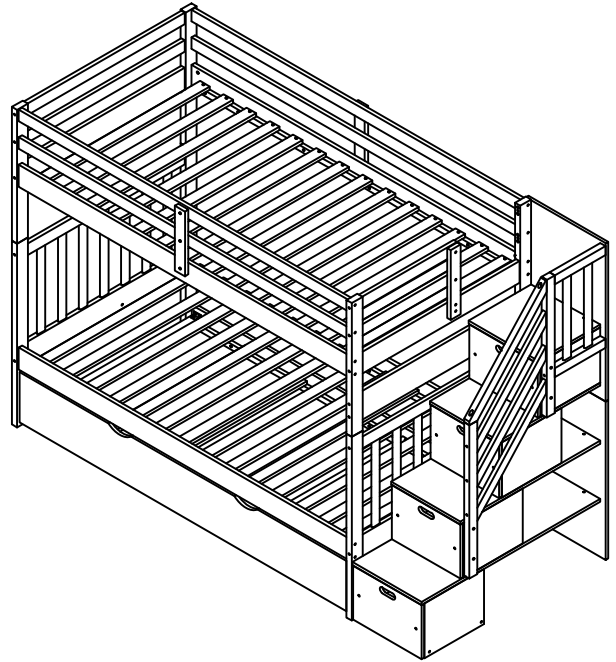
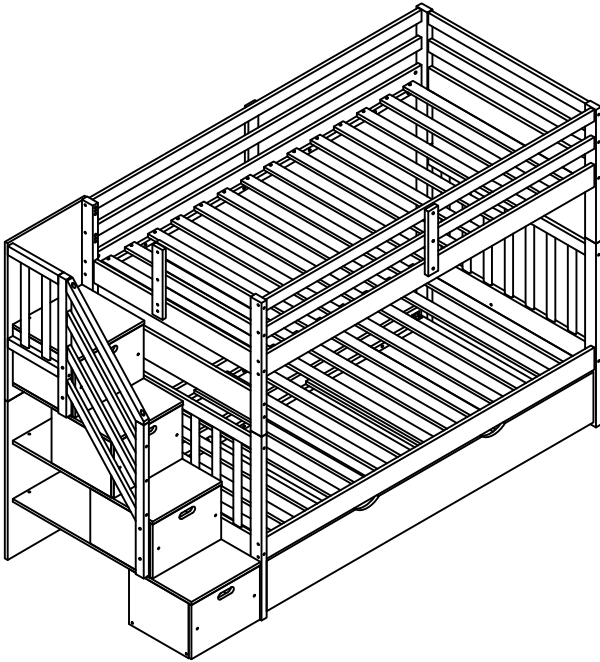


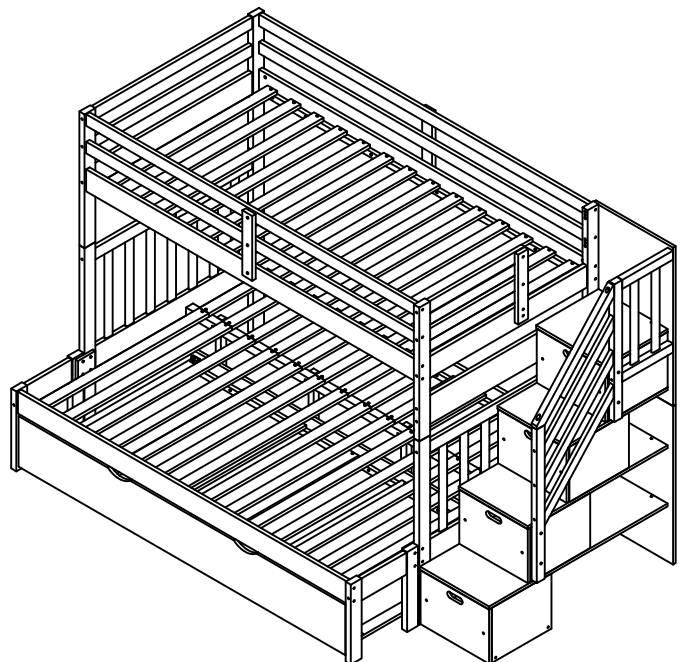
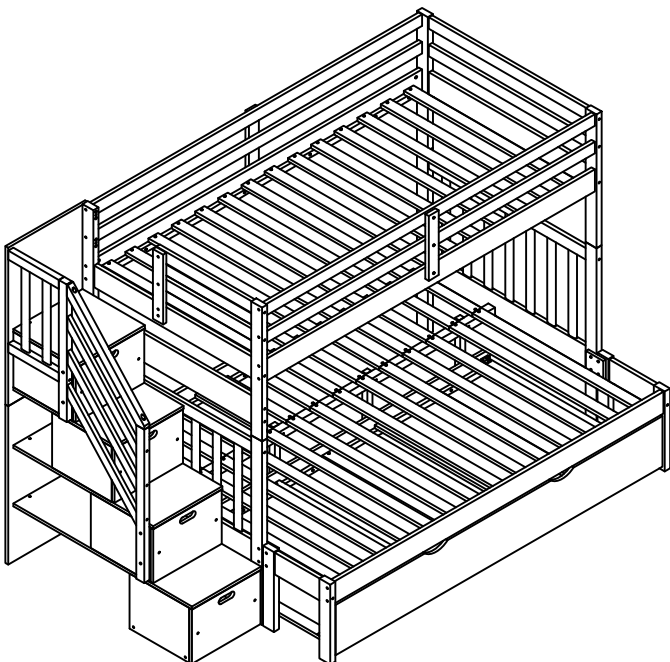
ASSEMBLY INSTRUCTIONS

TWIN OVER TWIN / FULL BUNK BED

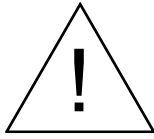
TWIN - TWIN



TWIN - FULL



ASSEMBLY INSTRUCTIONS



SAFETY WARNINGS



1. This bed is designed for use only mattress (es) meeting the following specifications on the upper bunk, and lower bunk:

Upper bunk (bunk bed and tribed included)

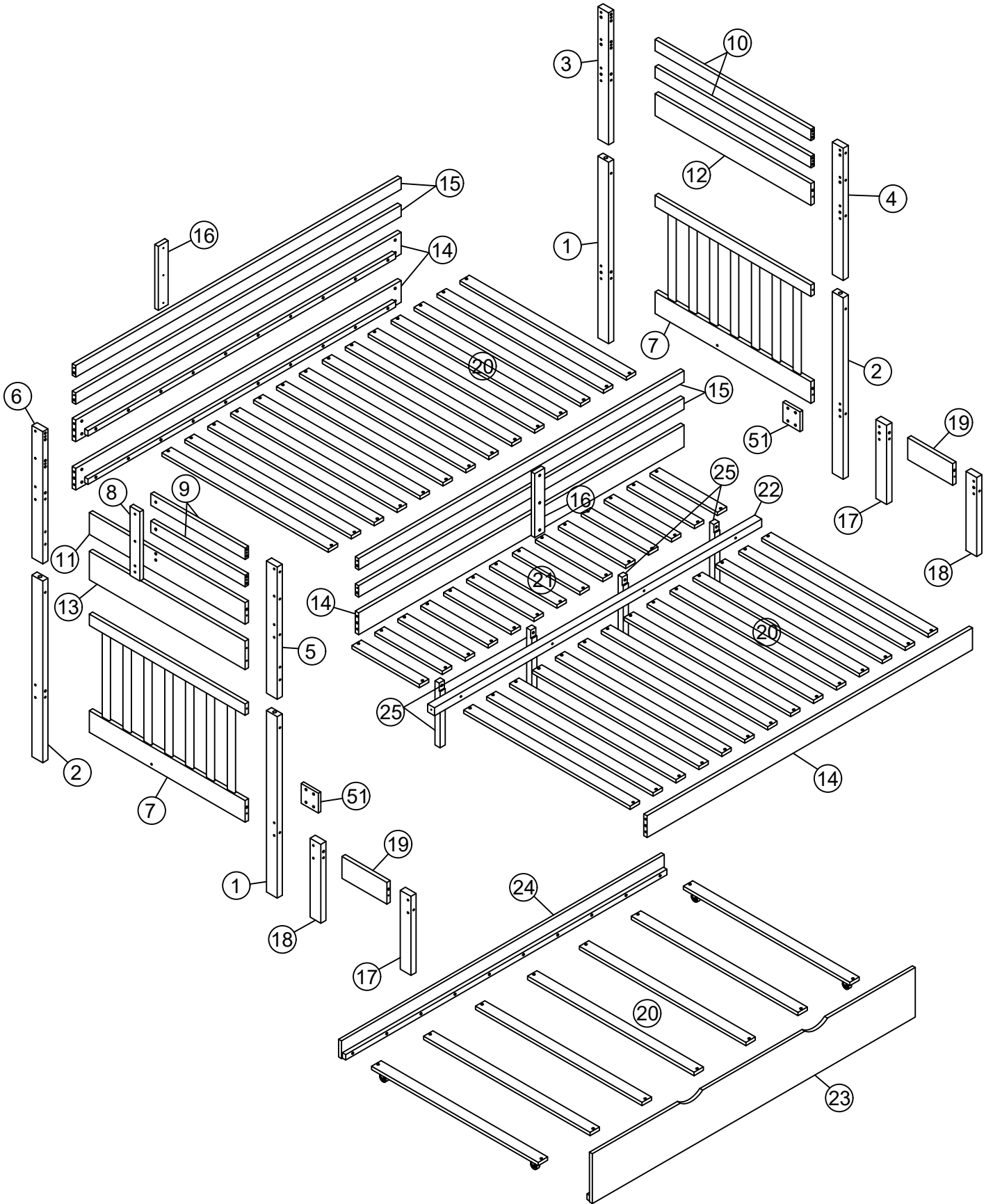
| Bed Type | Length | Width | Thickness |
|-----------------|---------------|---|------------------|
| Twin Standard | 74" - 75" | 37 $\frac{1}{2}$ " - 38 $\frac{1}{2}$ " | 6" max |

Lower bunk

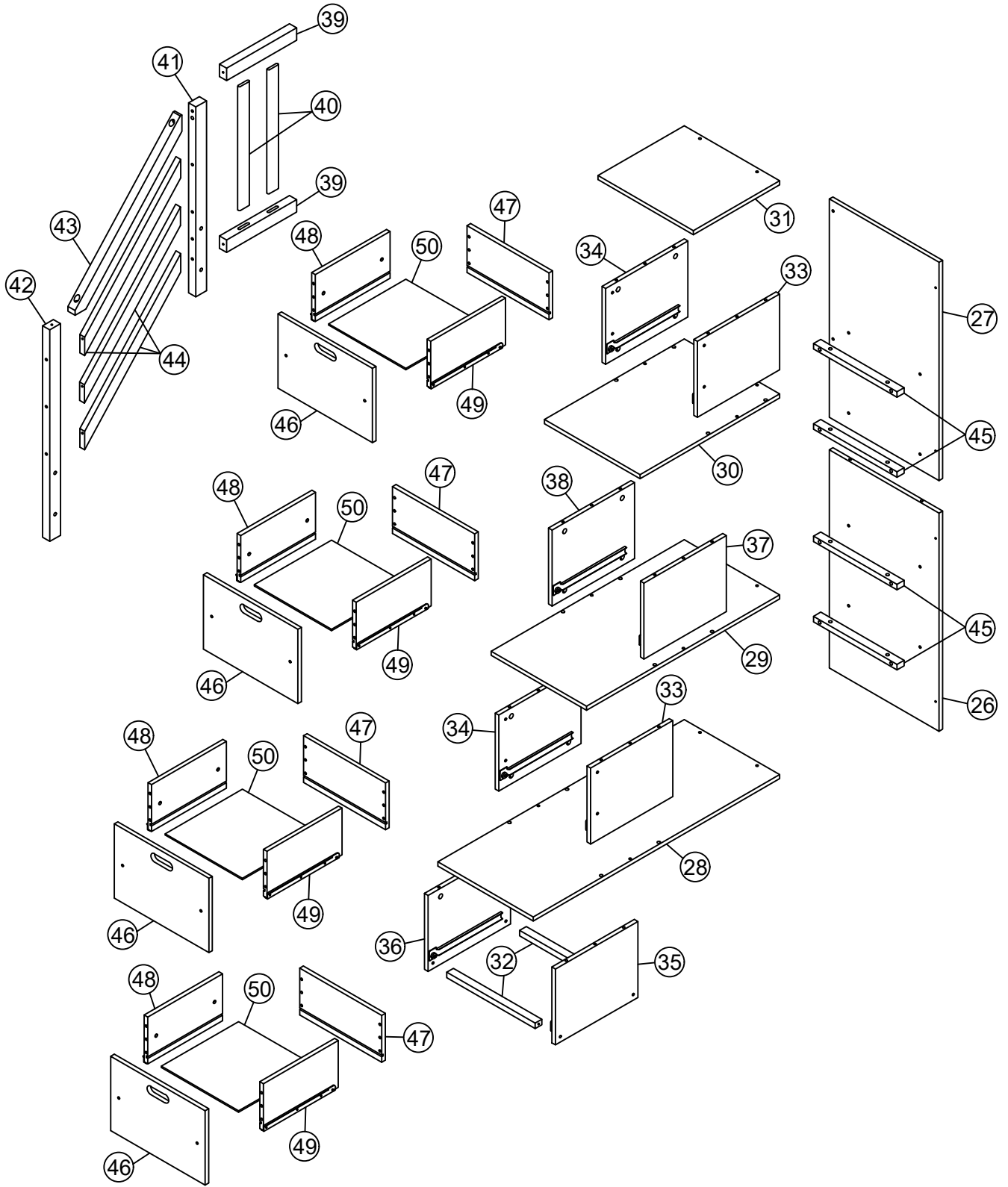
| Bed Type | Length | Width | Thickness |
|-----------------|---------------|---|------------------|
| Twin Standard | 74" - 75" | 37 $\frac{1}{2}$ " - 38 $\frac{1}{2}$ " | 8" |
| Full Standard | 74" - 75" | 53" - 54" | 8" |

2. Replacement parts, including additional guardrails, maybe obtained from any of our (GIGACLOUD TECHNOLOGY (USA) INC. 18961 ARENTH AVENUE CITY OF INDUSTRY, CA, 91748) dealers
3. Follow the information on the warnings appearing on the upper bunk bed end structure and on the carton. Do not remove warning label from bed.
4. Always use the recommended size mattresses or mattress supports, or both, to help prevent the likelihood of entrapment or falls.
5. Surface of mattress must be at least 5" (127mm) below the upper edge of guardrails.
6. Do not allow children under 6 years of age to use the upper bunk.
7. Periodically check and ensure that the guardrail, ladder, and other components are in their proper position, free from damage, and that all connectors are tight.
8. Do not allow horseplay on or under the bed and prohibit jumping on the bed.
9. Always use the ladder for entering and leaving the upper bunk.
10. Do not use substitute part. Contact the manufacture or dealer for replacement part.
11. Use of a night light may provide added safety precaution for a child using the upper bunk.
12. Always use guardrails on both long sides of the upper bunk. If the bunk bed will be placed next to the wall, the guardrail that runs the full length of the bed should be placed against the wall to prevent entrapment between the bed and wall.
13. The use of water or sleep flotation mattresses is prohibited.
14. STRANGULATION HAZARD - Never attach or hang items to any part of the bunk bed that are not designed for use with the bed; for example, but not limited to, hook, belts and jump ropes.
15. Keep these instruction for future reference.
16. Prohibit more than one person on upper bunk
17. We recommend assembling your bunk bed on the shipping carton to protect your floor or carpet.
18. Be certain all staples are out of the box before beginning assembly on the shipping carton.

ASSEMBLY INSTRUCTIONS



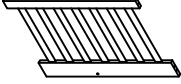
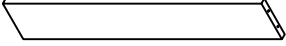
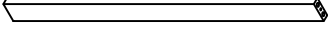
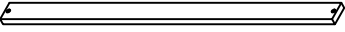
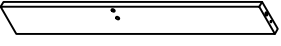
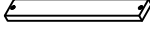
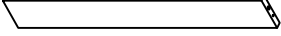
ASSEMBLY INSTRUCTIONS



ASSEMBLY INSTRUCTIONS

PARTS LIST

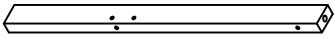
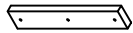
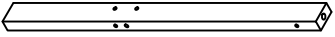
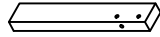
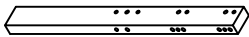
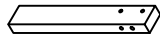

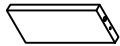
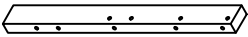
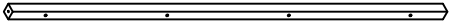

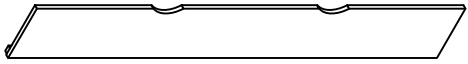
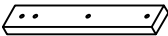
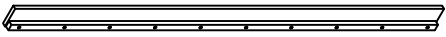
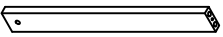
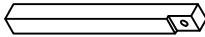
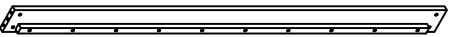
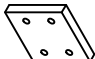
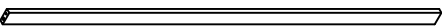
WF286829

| | | | | | |
|-----------|--|------|-----------|--|-------|
| 7 |  Lower head board & foot board | 2pcs | 13 |  Upper left headboard bottom rail | 1pc |
| 10 |  Upper right headboard rails | 2pcs | 20 |  Slats - upper(14pcs) / lower (14pcs)/ trundle (7pcs) | 35pcs |
| 11 |  Upper left headboard center rail | 1pc | 21 |  Slats - lower (14pcs) | 14pcs |
| 12 |  Upper right headboard bottom rail | 1pc | | | |

ASSEMBLY INSTRUCTIONS

PARTS LIST

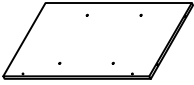
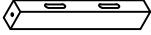
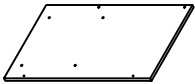
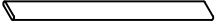

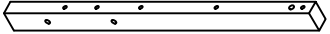

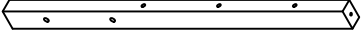

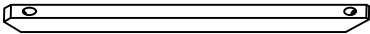
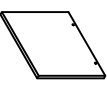
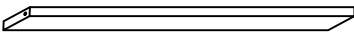
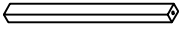
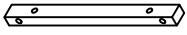
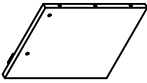
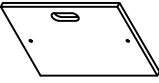
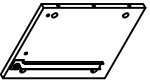
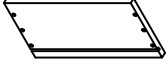
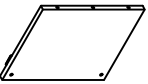

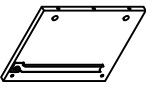

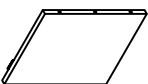
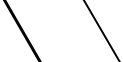
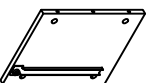
WF286830 (Hardware in this #SKU)

| | | | | | |
|-----------|--|------|-----------|--|------|
| 1 |  Lower - Left front leg & right back leg | 2pcs | 16 |  Upper guardrails supports | 2pcs |
| 2 |  Lower - Left back leg & right front leg | 2pcs | 17 |  Full bed ext left front leg & right back leg | 2pcs |
| 3 |  Upper right back leg | 1pc | 18 |  Full bed ext left back leg & right front leg | 2pcs |
| 4 |  Upper right front leg | 1pc | 19 |  Full bed ext side panels | 2pcs |
| 5 |  Upper left front leg | 1pc | 22 |  Lower full ext support rail | 1pc |
| 6 |  Upper left back leg | 1pc | 23 |  Trundle front panel | 1pc |
| 8 |  Upper left headboard support | 1pc | 24 |  Trundle back rail | 1pc |
| 9 |  Upper left headboard rails | 2pcs | 25 |  Center rails support legs | 4pcs |
| 14 |  Upper & lower side rails | 4pcs | 51 |  Full ext connect supports | 2pcs |
| 15 |  Upper guardrails | 4pcs | | | |

ASSEMBLY INSTRUCTIONS










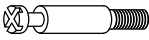





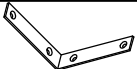

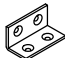




PARTS LIST

WF286831

| | | | | | |
|-----------|---|------|-----------|---|------|
| 26 |  Ladder back bottom panel | 1pc | 39 |  Ladder support | 2pcs |
| 27 |  Ladder back top panel | 1pc | 40 |  Ladder supports | 2pcs |
| 28 |  Ladder bottom step panel | 1pc | 41 |  Ladder support | 1pc |
| 29 |  Ladder center step panel | 1pc | 42 |  Ladder support | 1pc |
| 30 |  Ladder center step panel | 1pc | 43 |  Ladder rail | 1pc |
| 31 |  Ladder top step panel | 1pc | 44 |  Ladder rails | 3pcs |
| 32 |  Ladder bottom drawer support | 2pcs | 45 |  Storage ladder support | 4pcs |
| 33 |  Ladder drawer side panel | 2pcs | 46 |  Drawer front panels | 4pcs |
| 34 |  Ladder drawer side panels | 2pcs | 47 |  Drawer back panels | 4pcs |
| 35 |  Ladder drawer side panel | 1pc | 48 |  Drawer left panels | 4pcs |
| 36 |  Ladder drawer side panel | 1pc | 49 |  Drawer right panels | 4pcs |
| 37 |  Ladder drawer side panel | 1pc | 50 |  Drawer bottom panels | 4pcs |
| 38 |  Ladder drawer side panel | 1pc | | | |

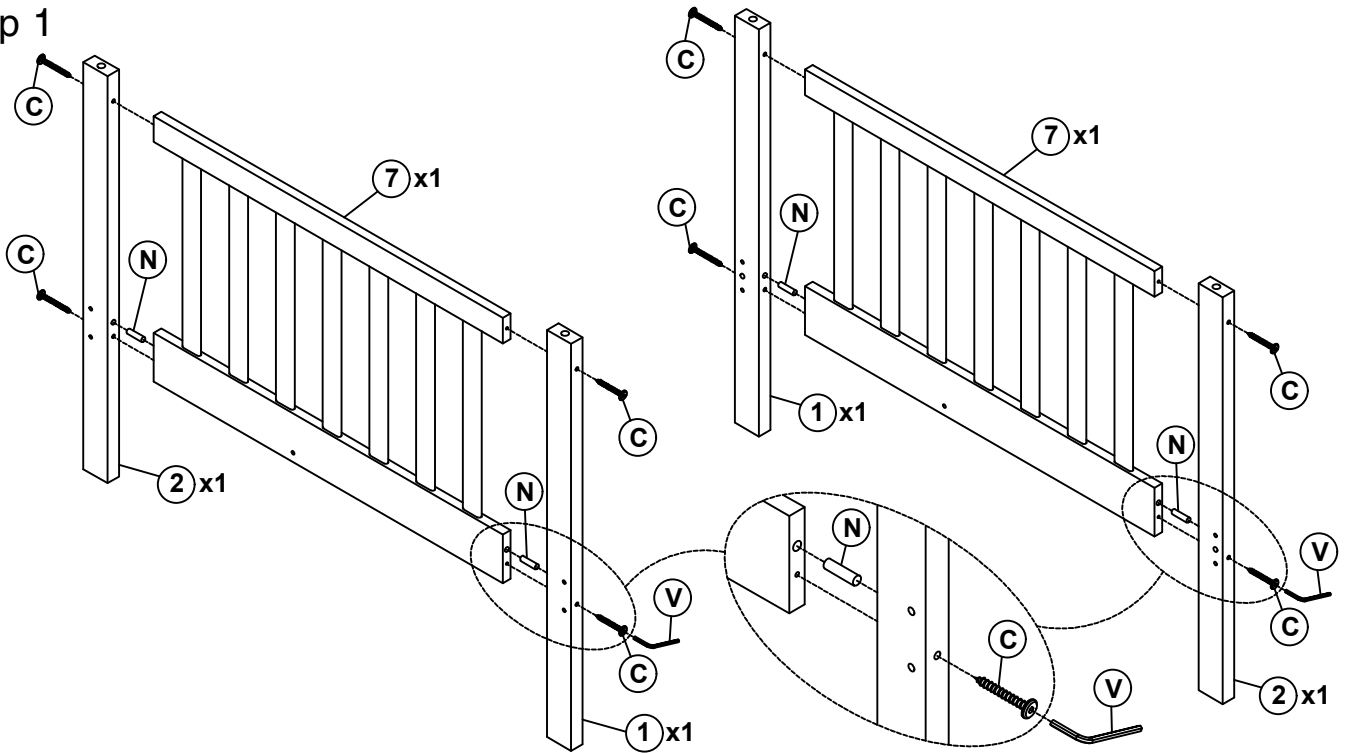
ASSEMBLY INSTRUCTIONS




HARDWARE LIST (WF286830)

| | | | | | | | |
|----------|---------|---|--------|----------|-----------|---|-------|
| A | Ø4x30 |  | 108PCS | L | 1/4x30 |  | 8PCS |
| B | Ø4x15 |  | 34PCS | M | Ø14x100 |  | 4PCS |
| C | 6.5x110 |  | 27PCS | N | Ø10x40 |  | 41PCS |
| D | 6.5x80 |  | 15PCS | O | Ø8x30 |  | 48PCS |
| E | 6.5x60 |  | 5PCS | P | Ø 6.5x35 |  | 28PCS |
| F | 6.5x50 |  | 4PCS | Q | Ø15x12 |  | 28PCS |
| G | 1/4x75 |  | 16PCS | R | Ø38x46x38 |  | 4PCS |
| H | 1/4x60 |  | 16PCS | S | 95x95x20 |  | 2PCS |
| I | 1/4x60 |  | 4PCS | T | 40x20x20 |  | 2PCS |
| J | 1/4x40 |  | 20PCS | U | 15x15x2 |  | 1PC |
| K | 1/4x35 |  | 4PCS | V | 4x58 |  | 1PC |

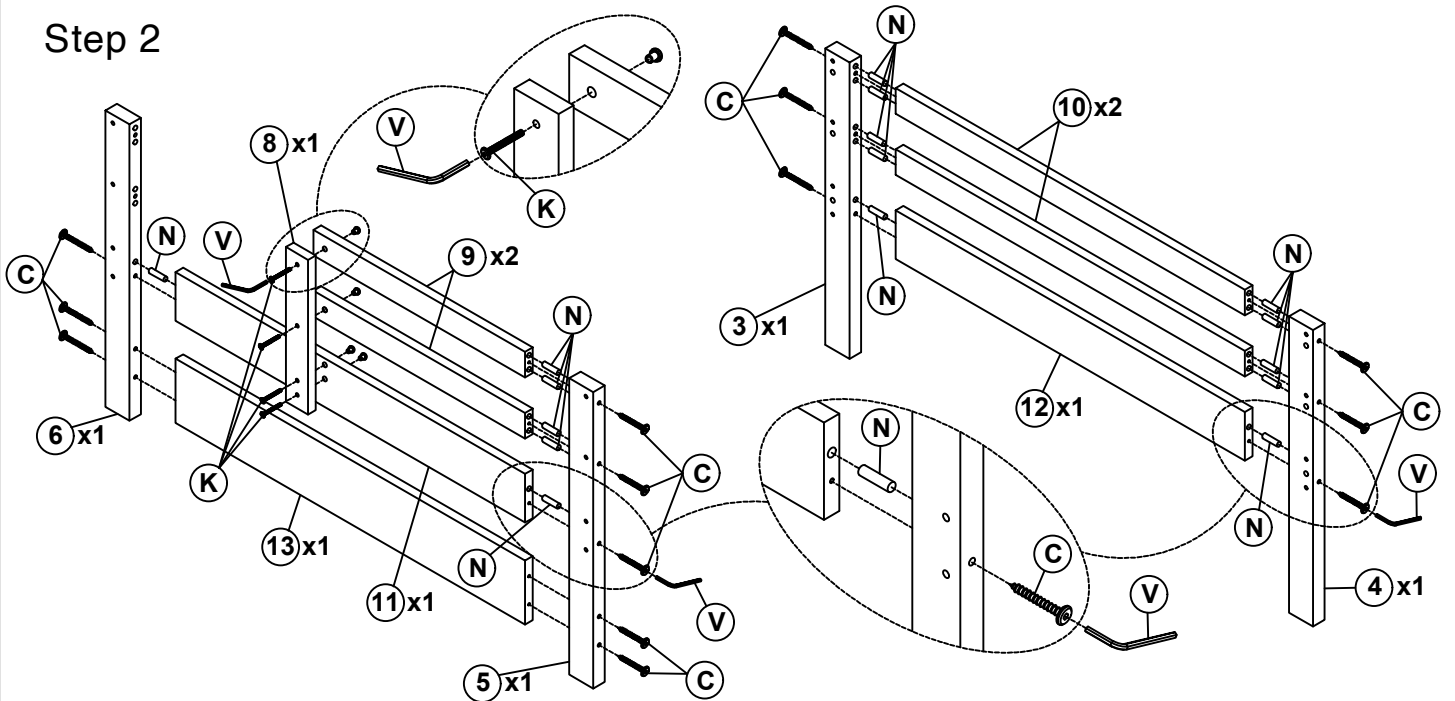
ASSEMBLY INSTRUCTIONS

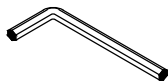



Step 1



| | | | | | | | |
|----------|---------|---|------|----------|--------|---|------|
| V | 4x58 |  | 1PC | | | | |
| C | 6.5x110 |  | 8PCS | N | Ø10x40 |  | 4PCS |

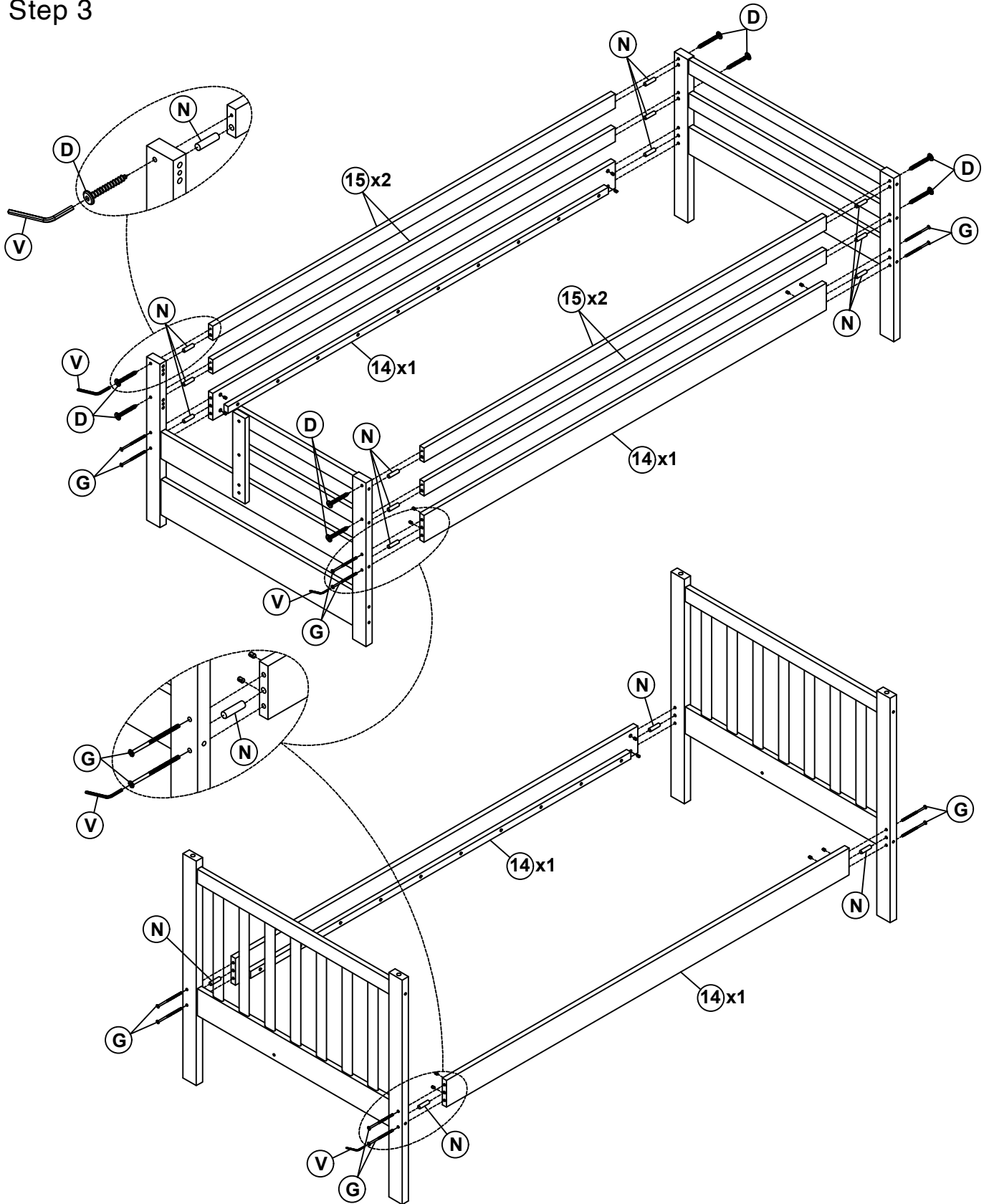
Step 2








| | | | | | | | |
|----------|---------|---|-------|----------|--------|---|-------|
| V | 4x58 |  | 1PC | K | 1/4x35 |  | 4PCS |
| C | 6.5x110 |  | 14PCS | N | Ø10x40 |  | 16PCS |

ASSEMBLY INSTRUCTIONS

Step 3

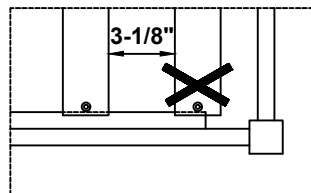
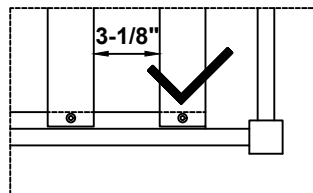
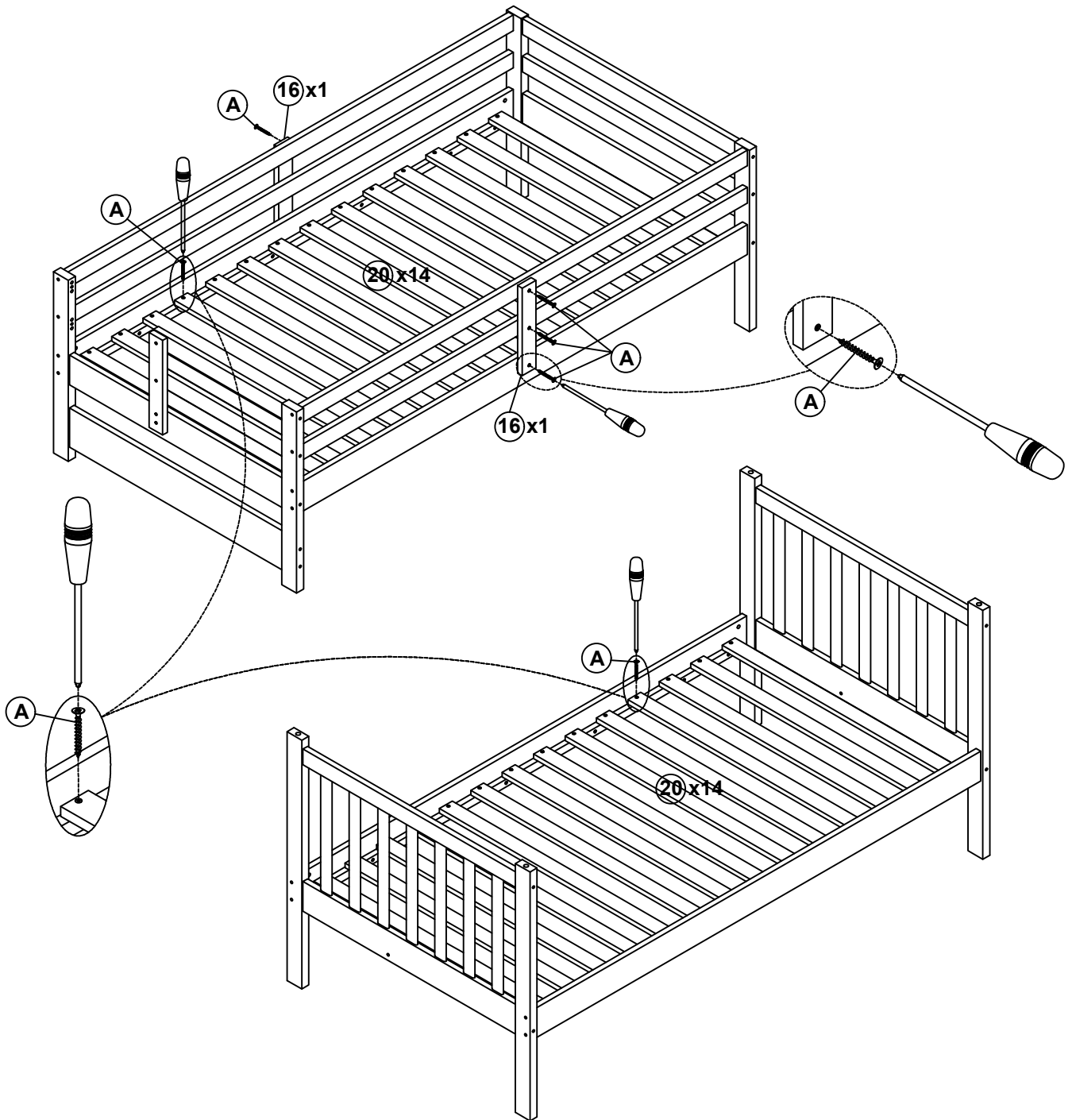


| | | | | | | | |
|----------|--------|---|-------|----------|--------|---|-------|
| N | Ø10x40 |  | 16PCS | D | 6.5x80 |  | 8PCS |
| V | 4x58 |  | 1PC | G | 1/4x75 |   | 16PCS |

ASSEMBLY INSTRUCTIONS

Step 4

First attach 2pcs part 20 to the front and end of the frame between headboard.
Then attach the remaining part 20 equidistantly between headboard



Note : Do not lock the screws of the bed slats to the outermost edge of the bed slats, you need to leave a certain space at the edges, otherwise it will cause the board to break

A

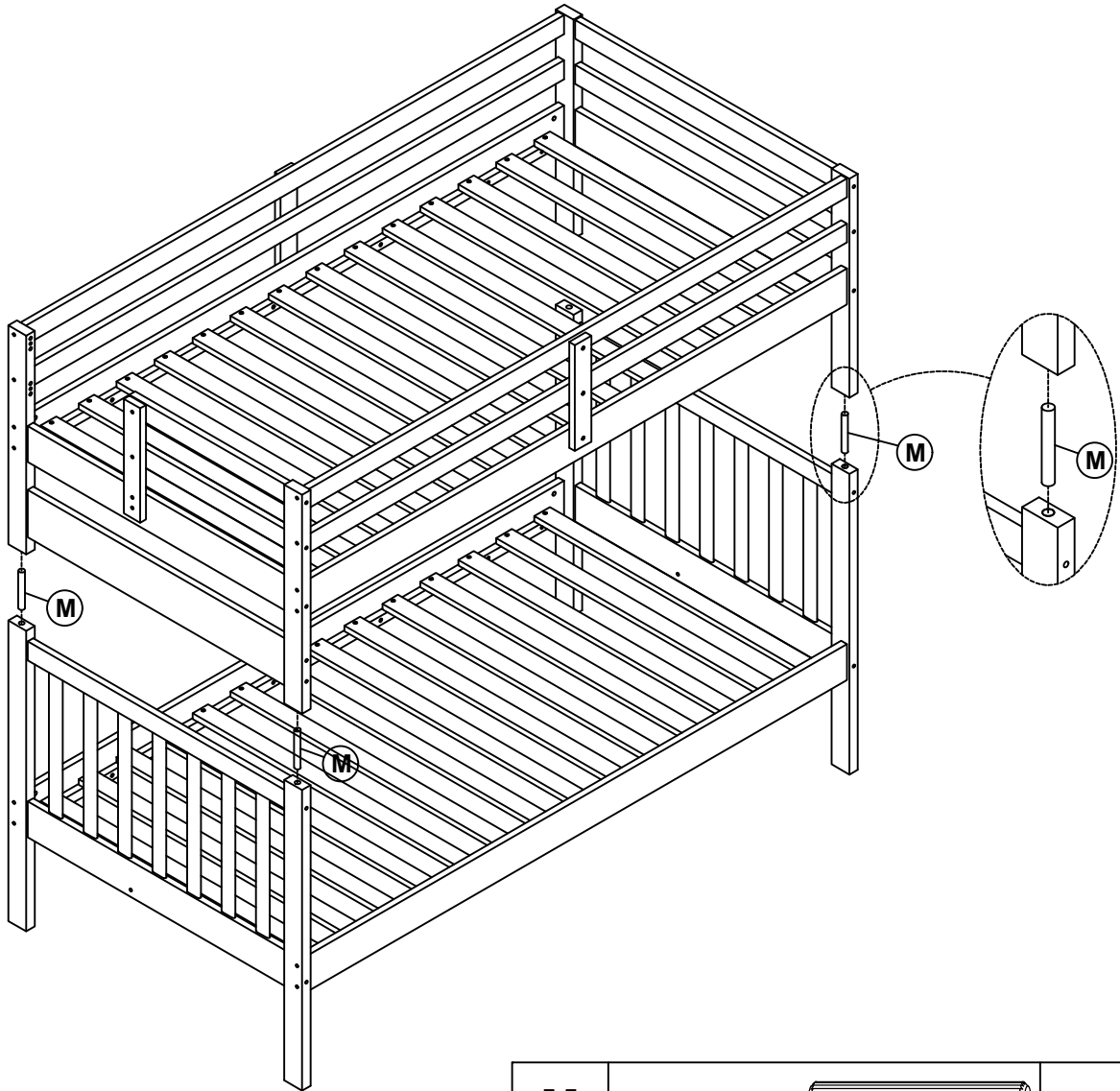
Ø4x30



62PCS

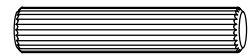
ASSEMBLY INSTRUCTIONS

Step 5



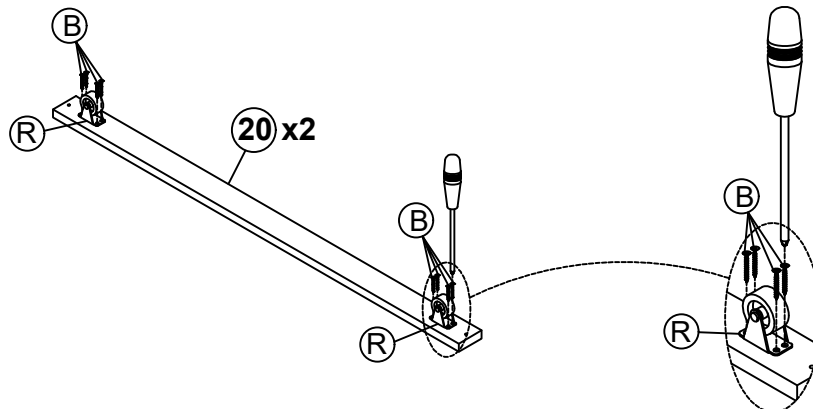
M

Ø14x100



4PCS

Step 6



B

Ø4x15



16PCS

R

Ø38x46x38

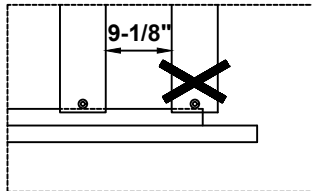
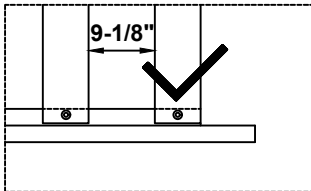
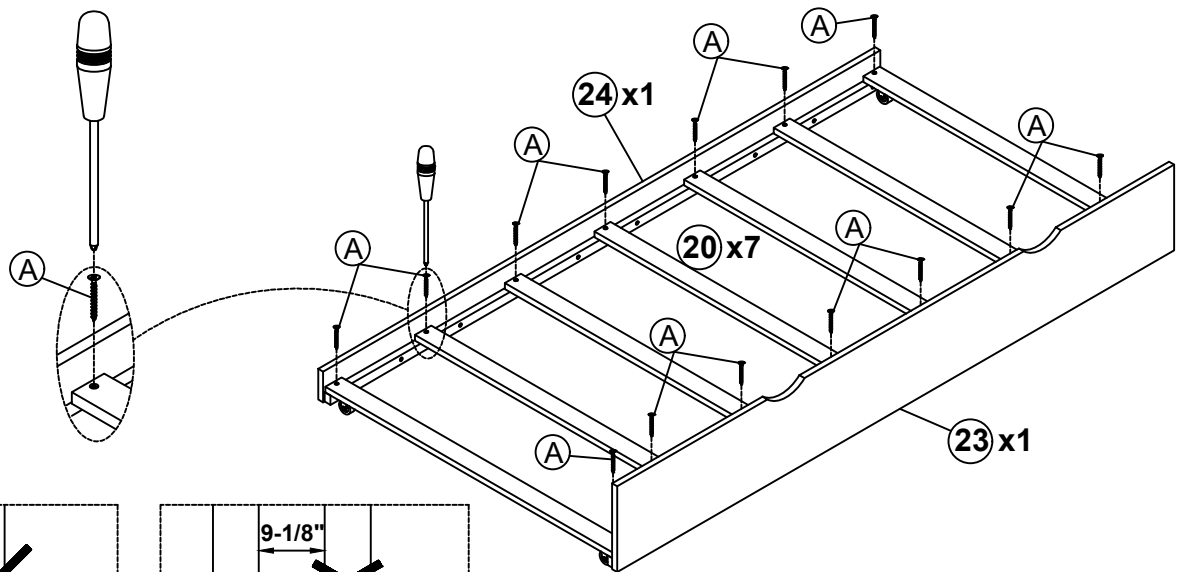


4PCS

ASSEMBLY INSTRUCTIONS

Step 7

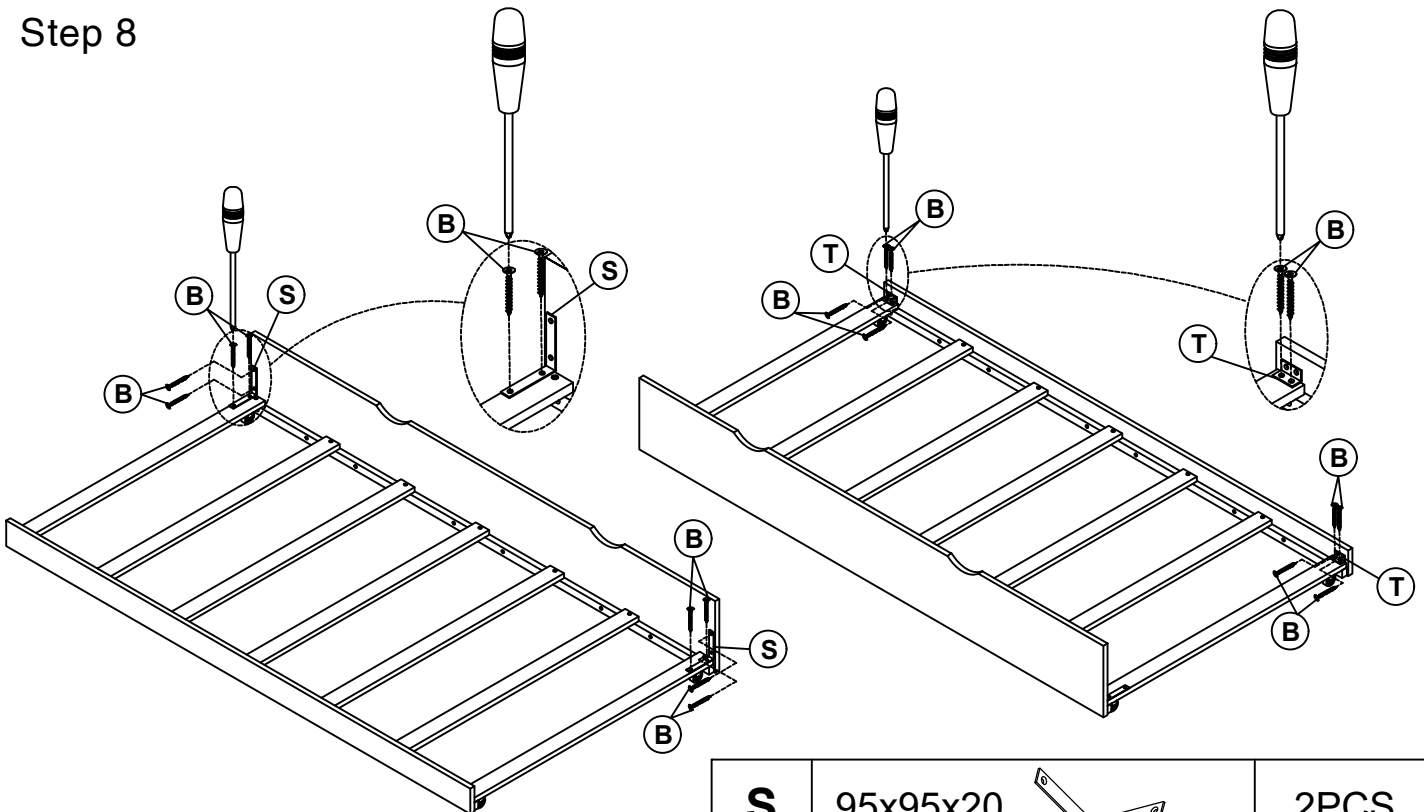
First attach 2pcs part 20 to the front and end of the frame, between side rails. Then attach the remaining part 20 equidistantly between side rails.



Note : Do not lock the screws of the bed slats to the outermost edge of the bed slats, you need to leave a certain space at the edges, otherwise it will cause the board to break

| | | | |
|----------|-------|---|-------|
| A | Ø4x30 |  | 14PCS |
|----------|-------|---|-------|

Step 8



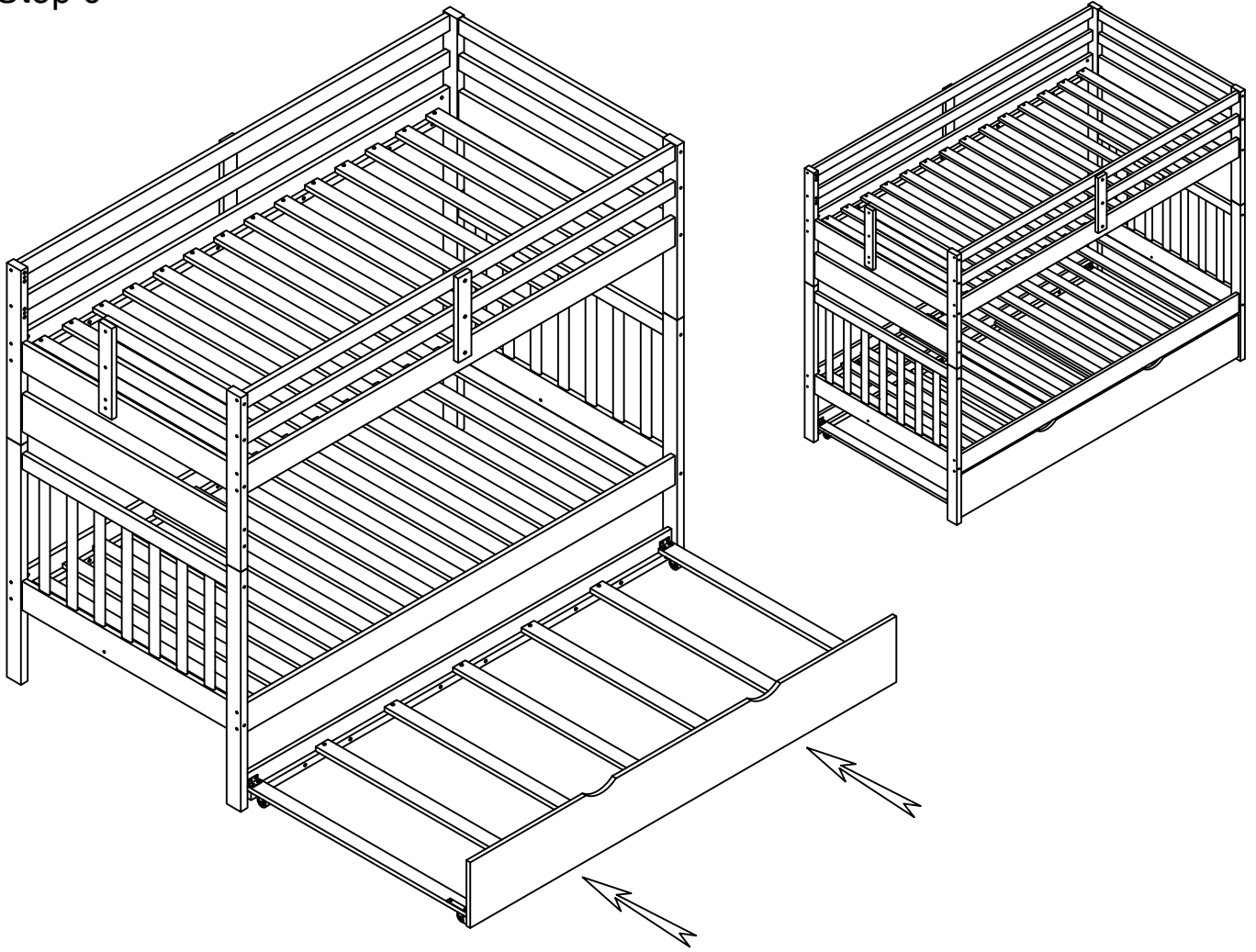
| | | | |
|----------|-------|---|-------|
| B | Ø4x15 |  | 16PCS |
|----------|-------|---|-------|

| | | | |
|----------|----------|---|------|
| S | 95x95x20 |  | 2PCS |
|----------|----------|---|------|

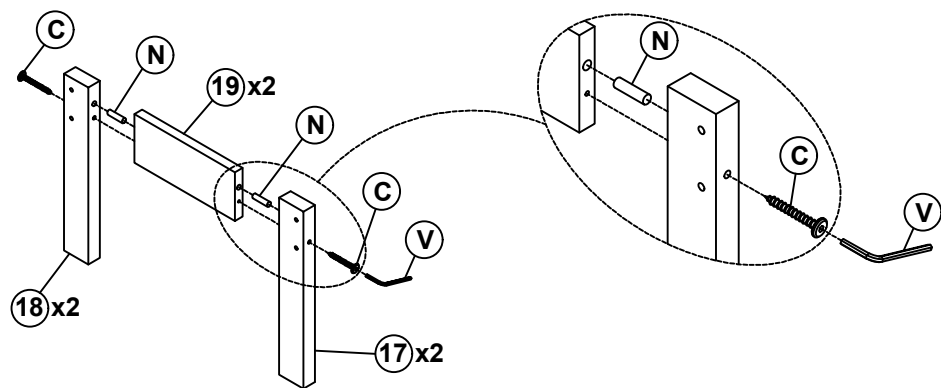
| | | | |
|----------|----------|---|------|
| T | 40x20x20 |  | 2PCS |
|----------|----------|---|------|

ASSEMBLY INSTRUCTIONS

Step 9



Step 10

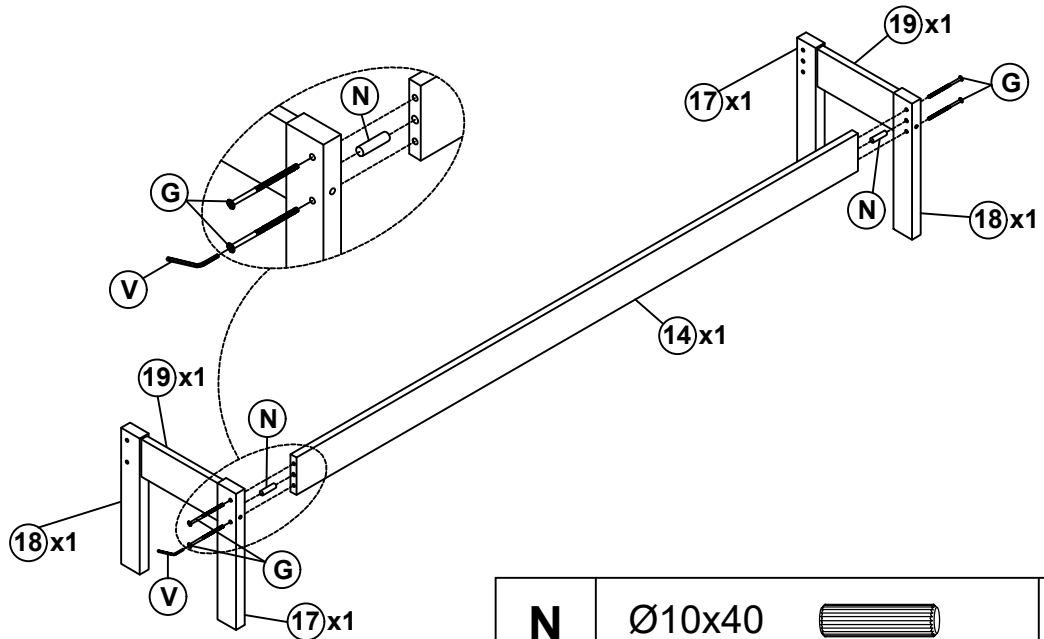


| | | | | | | | |
|----------|---------|--|------|----------|--------|--|------|
| V | 4x58 | | 1PC | | | | |
| C | 6.5x110 | | 4PCS | N | Ø10x40 | | 4PCS |

ASSEMBLY INSTRUCTIONS

Step 11

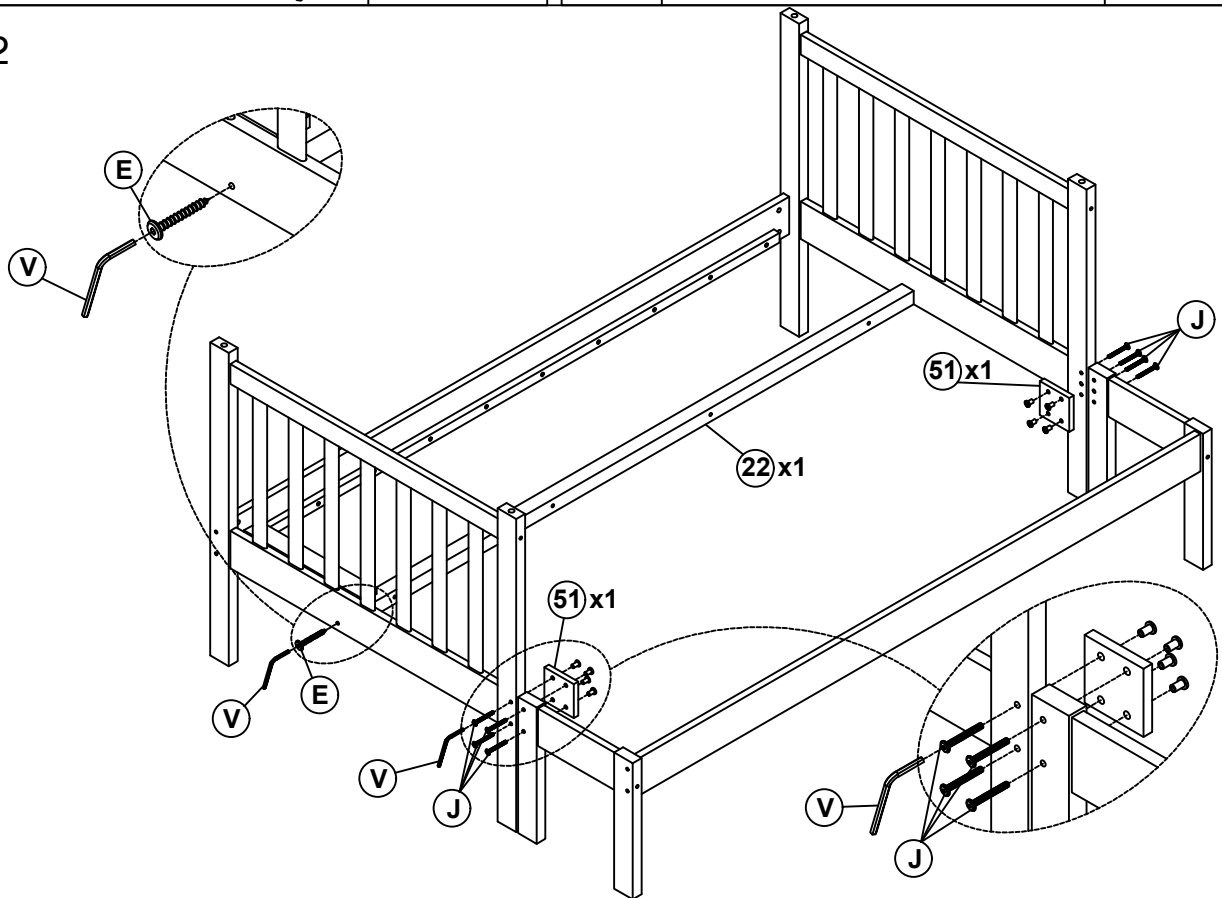
OPEN (14) LOWER FRONT SIDE RAIL AND REUSE 4PCS (G) TO ASSEMBLY WITH (17) & (18) "FULL SIZE EXTENTIN KIT"



| | | | |
|----------|--------|--|------|
| N | Ø10x40 | | 2PCS |
| G | 1/4x75 | | 4PCS |

| | | | |
|----------|------|--|-----|
| V | 4x58 | | 1PC |
|----------|------|--|-----|

Step 12

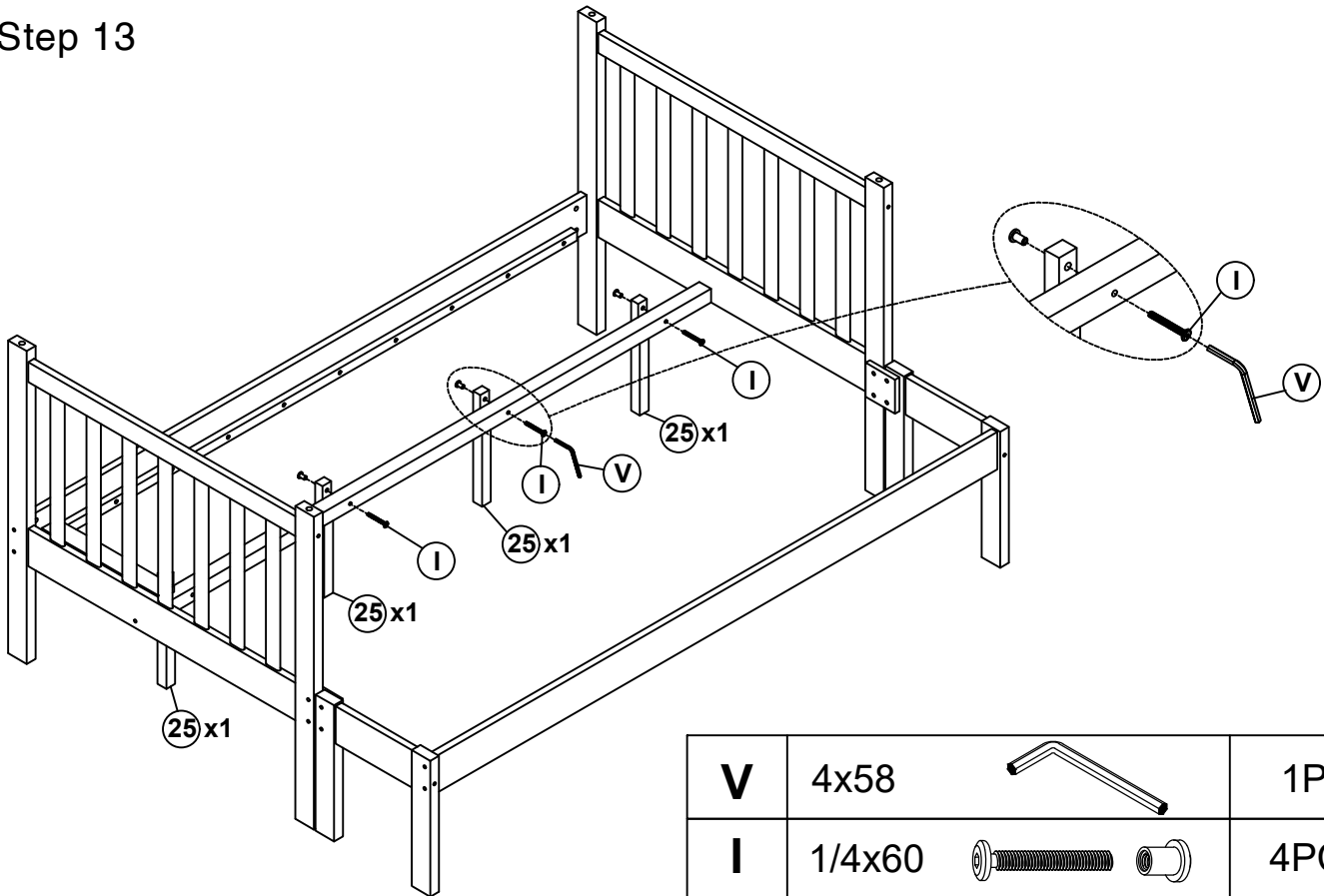




| | | | |
|----------|--------|--|------|
| E | 6.5x60 | | 2PCS |
| V | 4x58 | | 1PC |

| | | | |
|----------|--------|--|------|
| J | 1/4x40 | | 8PCS |
|----------|--------|--|------|

ASSEMBLY INSTRUCTIONS

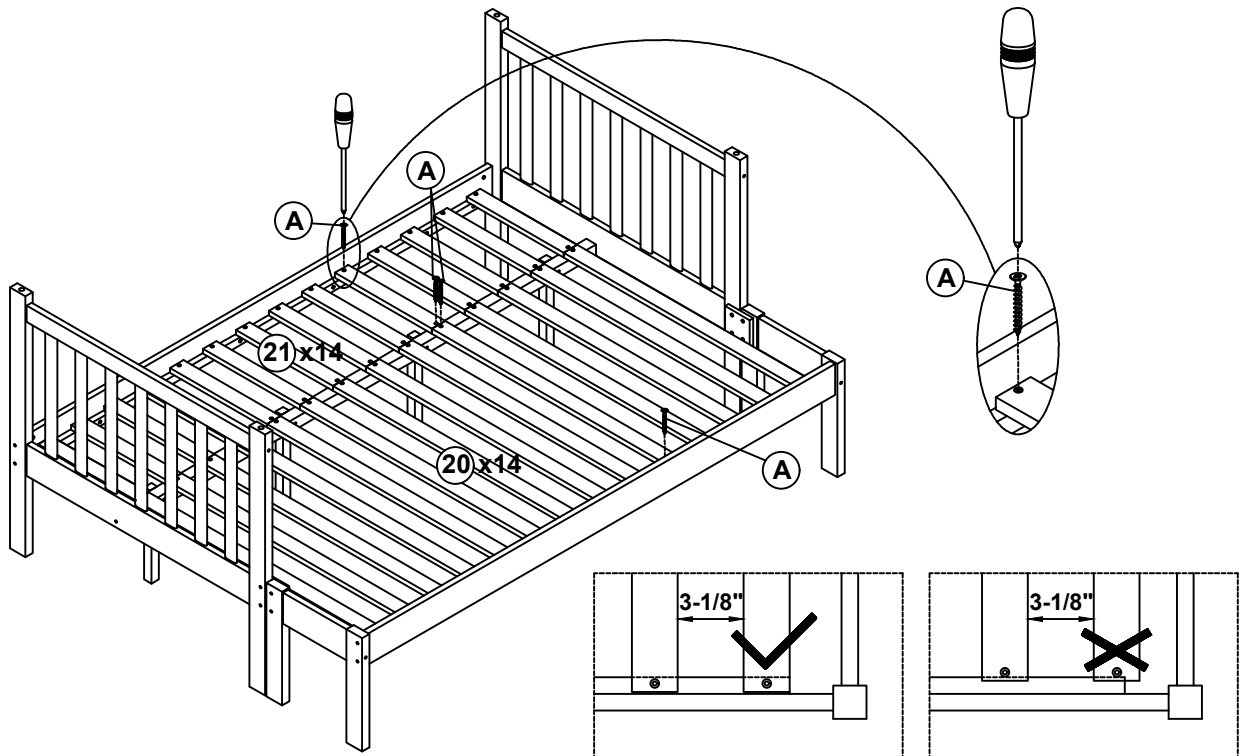
Step 13



| | | | |
|----------|--------|--|------|
| V | 4x58 |  | 1PC |
| I | 1/4x60 |  | 4PCS |

Step 14

First attach 2pcs part 20 & 21 to the front and end of the frame between headboard. Then attach the remaining part 20 & 21 equidistantly between headboard

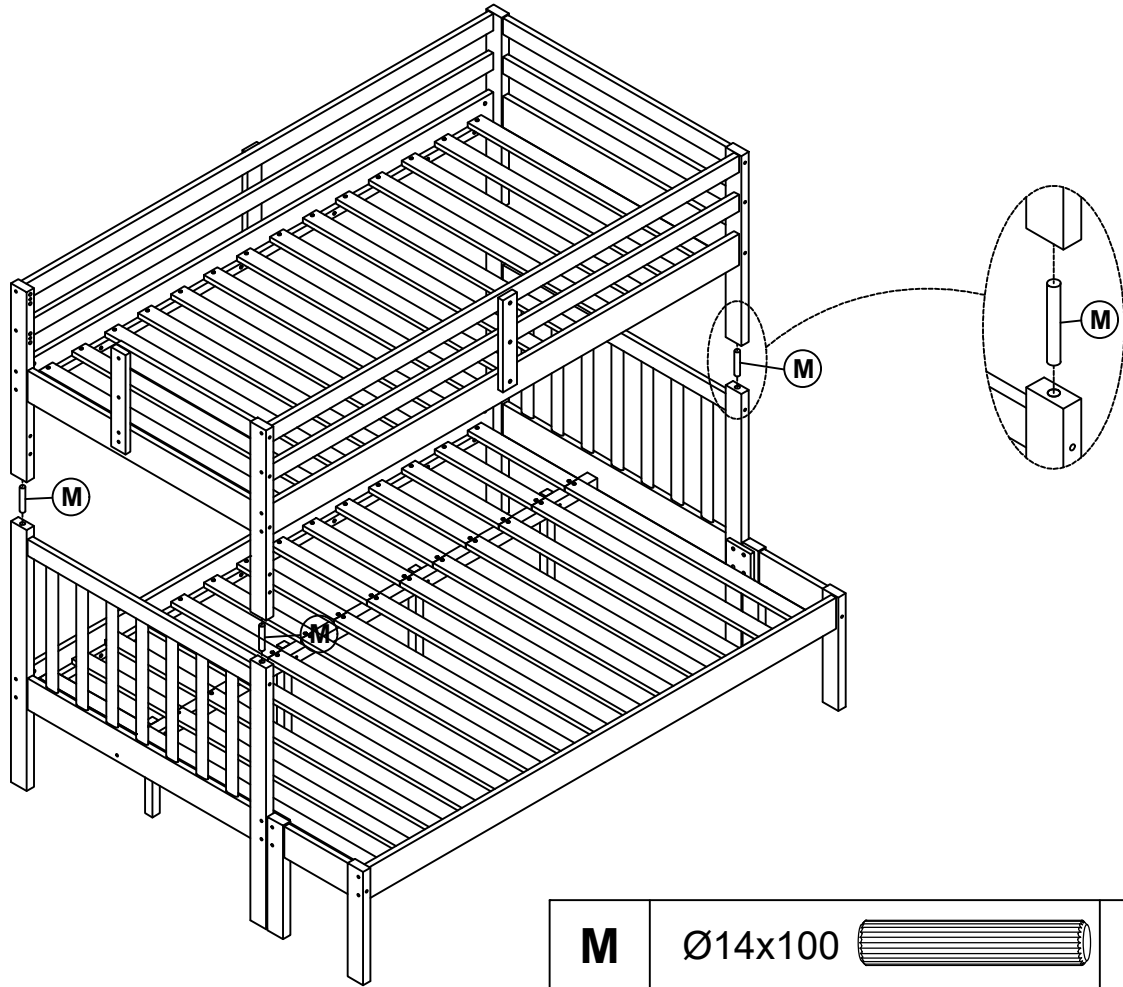


Note : Do not lock the screws of the bed slats to the outermost edge of the bed slats, you need to leave a certain space at the edges, otherwise it will cause the board to break

| | | | |
|----------|-------|---|-------|
| A | Ø4x30 |  | 56PCS |
|----------|-------|---|-------|

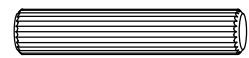
ASSEMBLY INSTRUCTIONS

Step 15



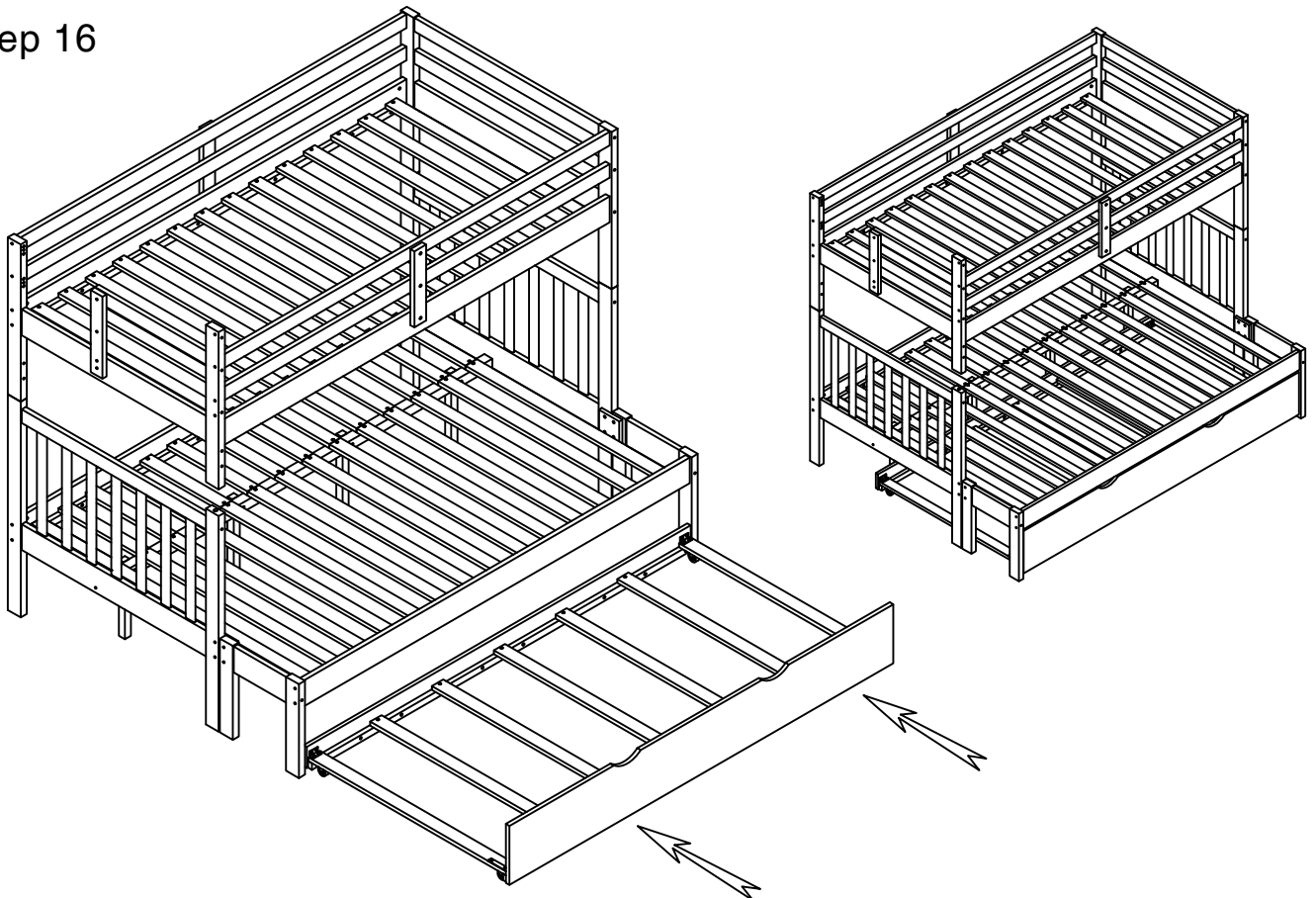
M

Ø14x100



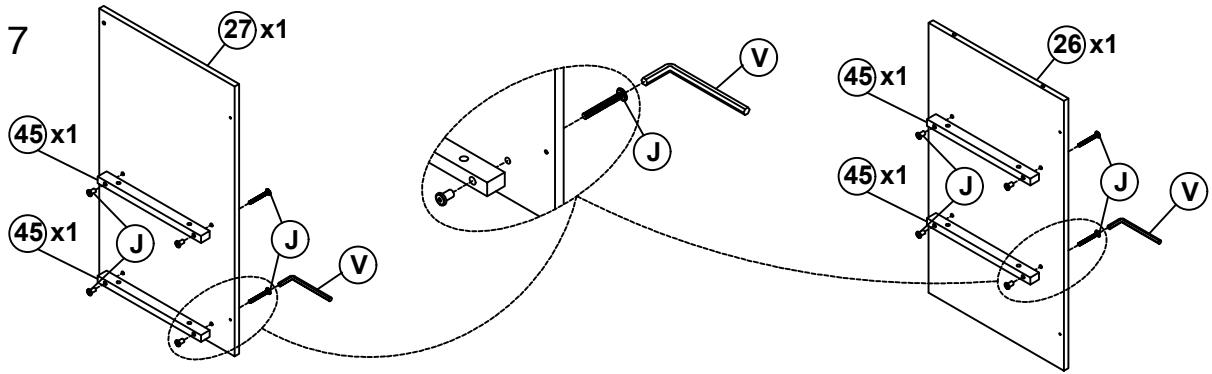
4PCS



Step 16



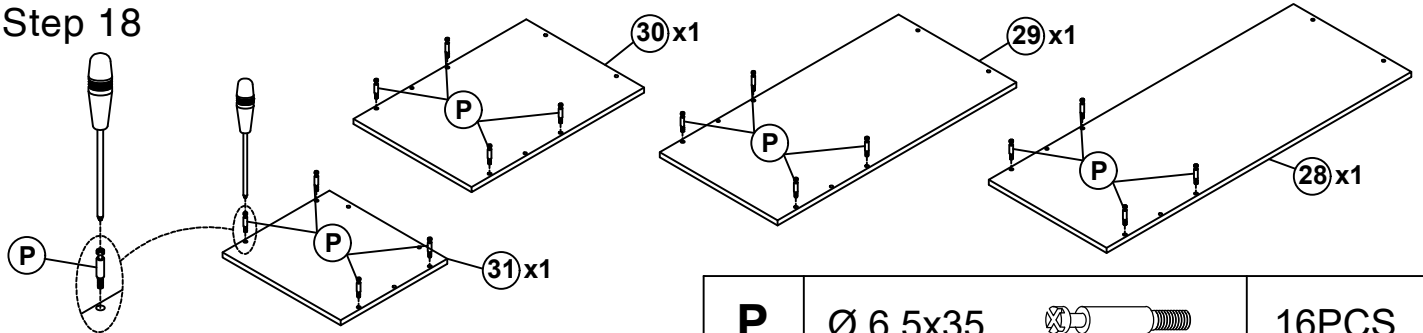
ASSEMBLY INSTRUCTIONS

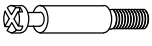
Step 17



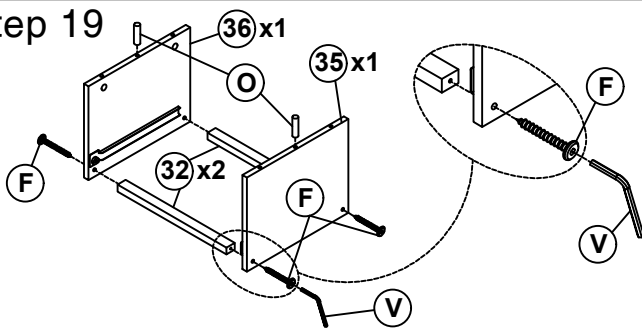
| | | | | | | | |
|----------|------|---|-----|----------|--------|---|------|
| V | 4x58 |  | 1PC | J | 1/4x40 |  | 8PCS |
|----------|------|---|-----|----------|--------|---|------|

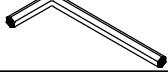


Step 18



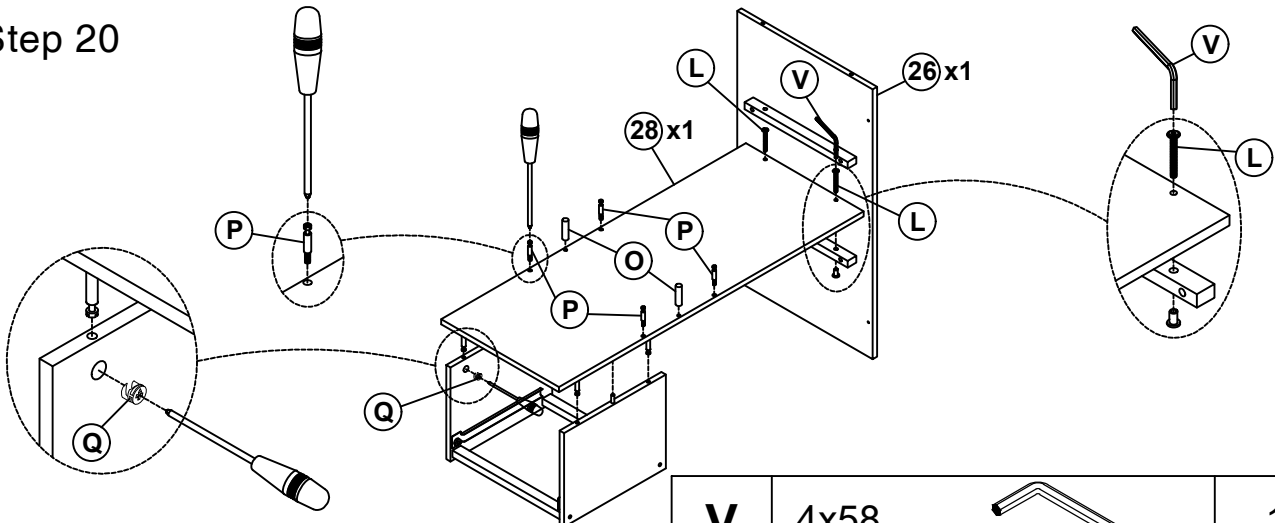
| | | | |
|----------|----------|---|-------|
| P | Ø 6.5x35 |  | 16PCS |
|----------|----------|---|-------|


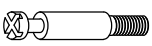


Step 19



| | | | |
|----------|--------|---|------|
| V | 4x58 |  | 1PC |
| O | Ø8x30 |  | 2PCS |
| F | 6.5x50 |  | 4PCS |

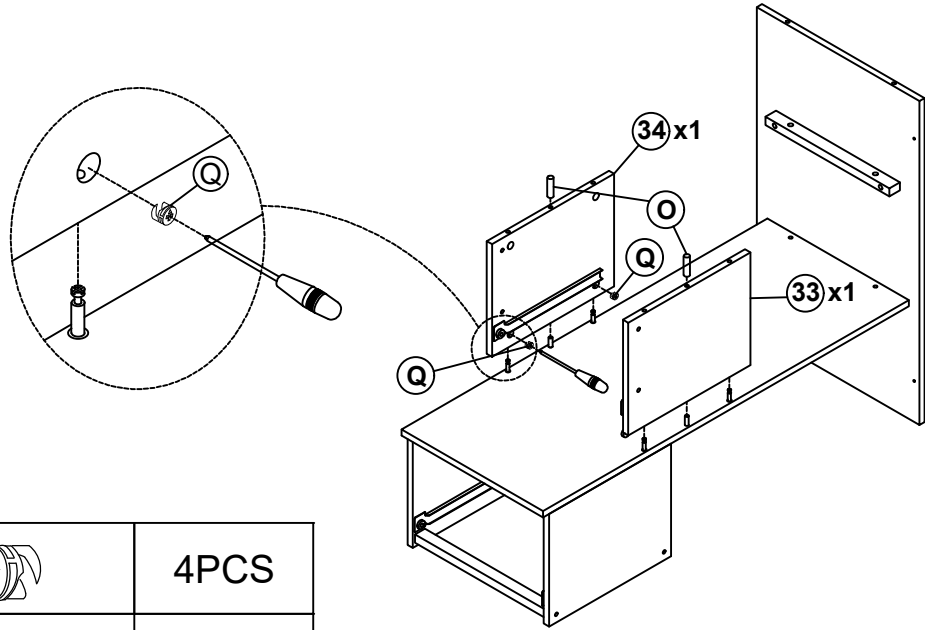
Step 20





| | | | |
|----------|----------|---|------|
| V | 4x58 |  | 1PC |
| P | Ø 6.5x35 |  | 4PCS |
| L | 1/4x30 |  | 2PCS |
| Q | Ø15x12 |  | 4PCS |

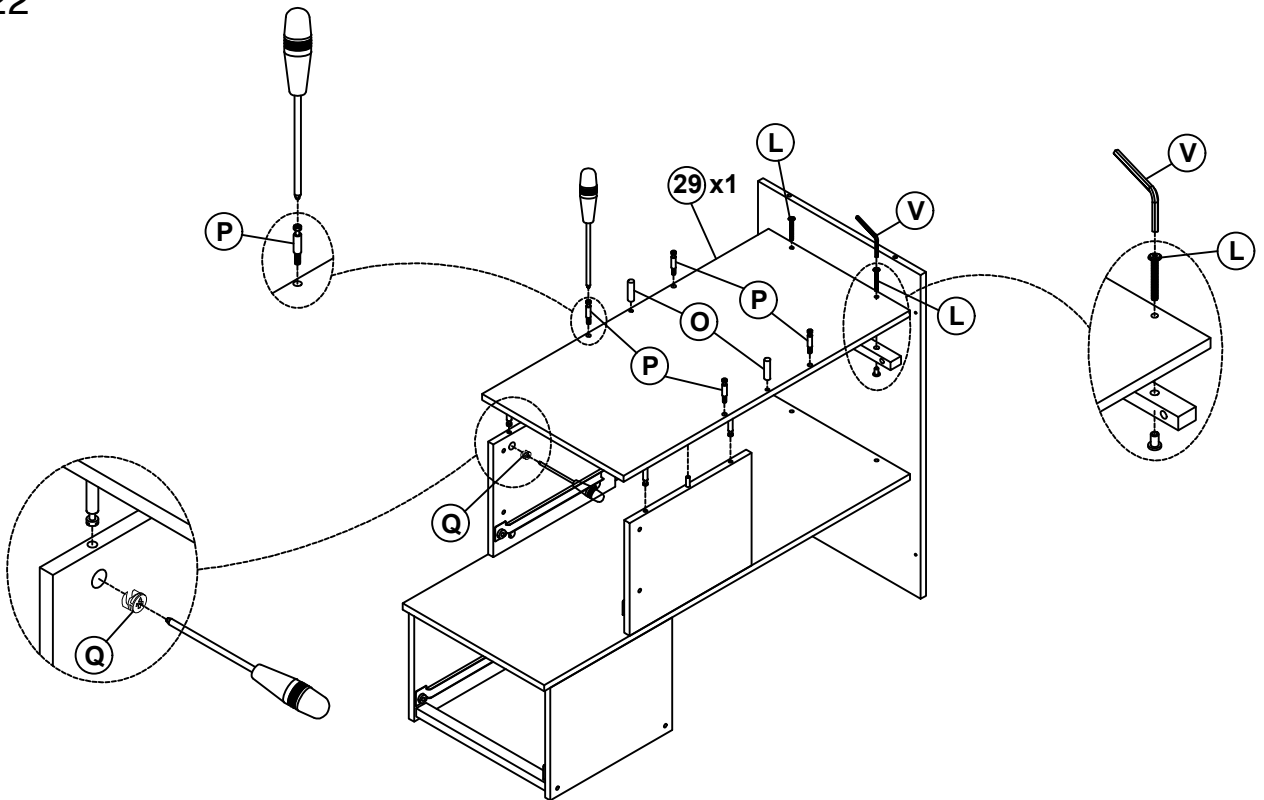
ASSEMBLY INSTRUCTIONS


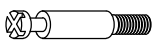



Step 21



| | | | |
|----------|--------|---|------|
| Q | Ø15x12 |  | 4PCS |
| O | Ø8x30 |  | 2PCS |

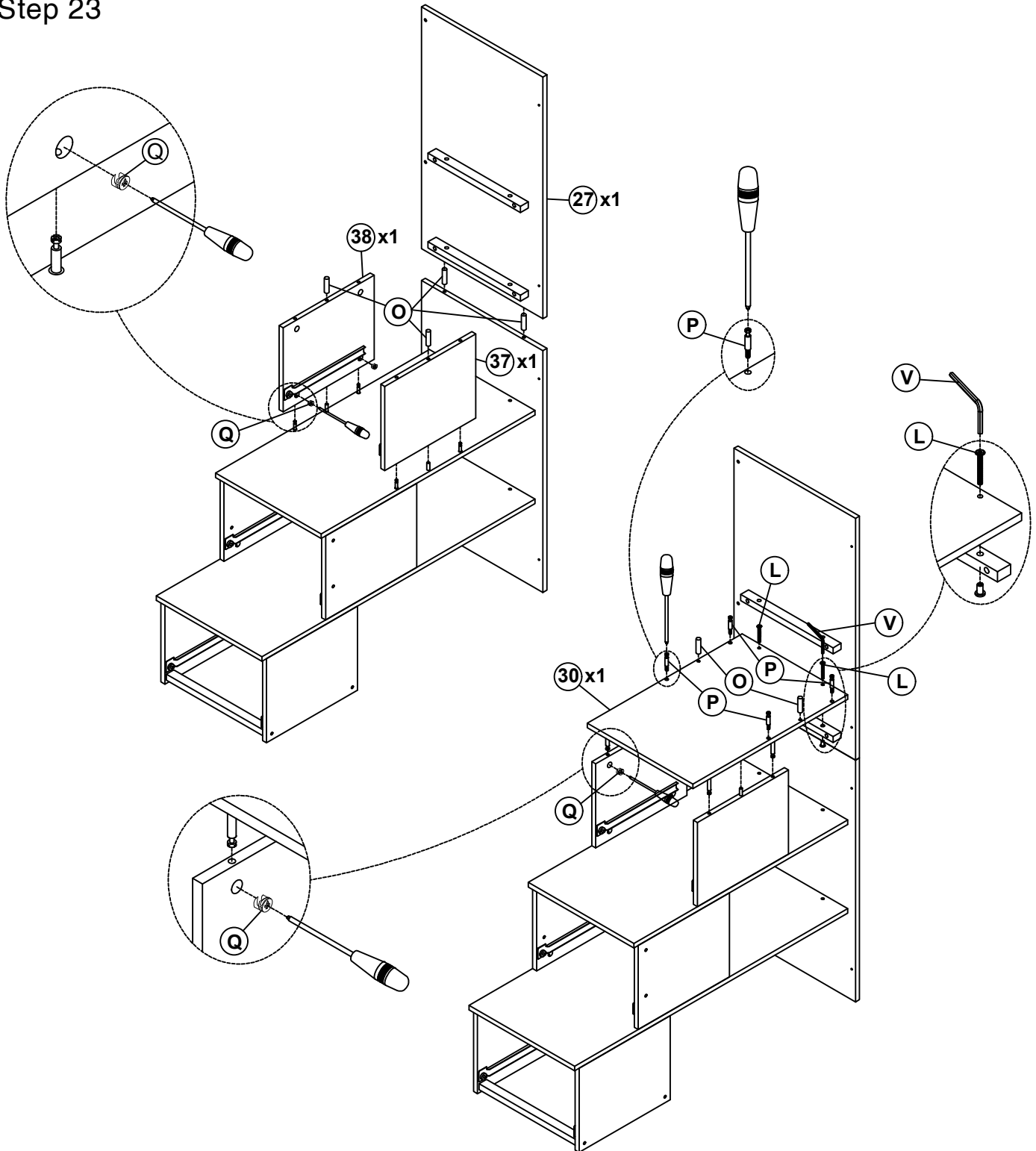
Step 22


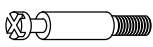





| | | | |
|----------|----------|---|------|
| V | 4x58 |  | 1PC |
| P | Ø 6.5x35 |  | 4PCS |
| L | 1/4x30 |  | 2PCS |
| Q | Ø15x12 |  | 4PCS |
| O | Ø8x30 |  | 2PCS |

ASSEMBLY INSTRUCTIONS

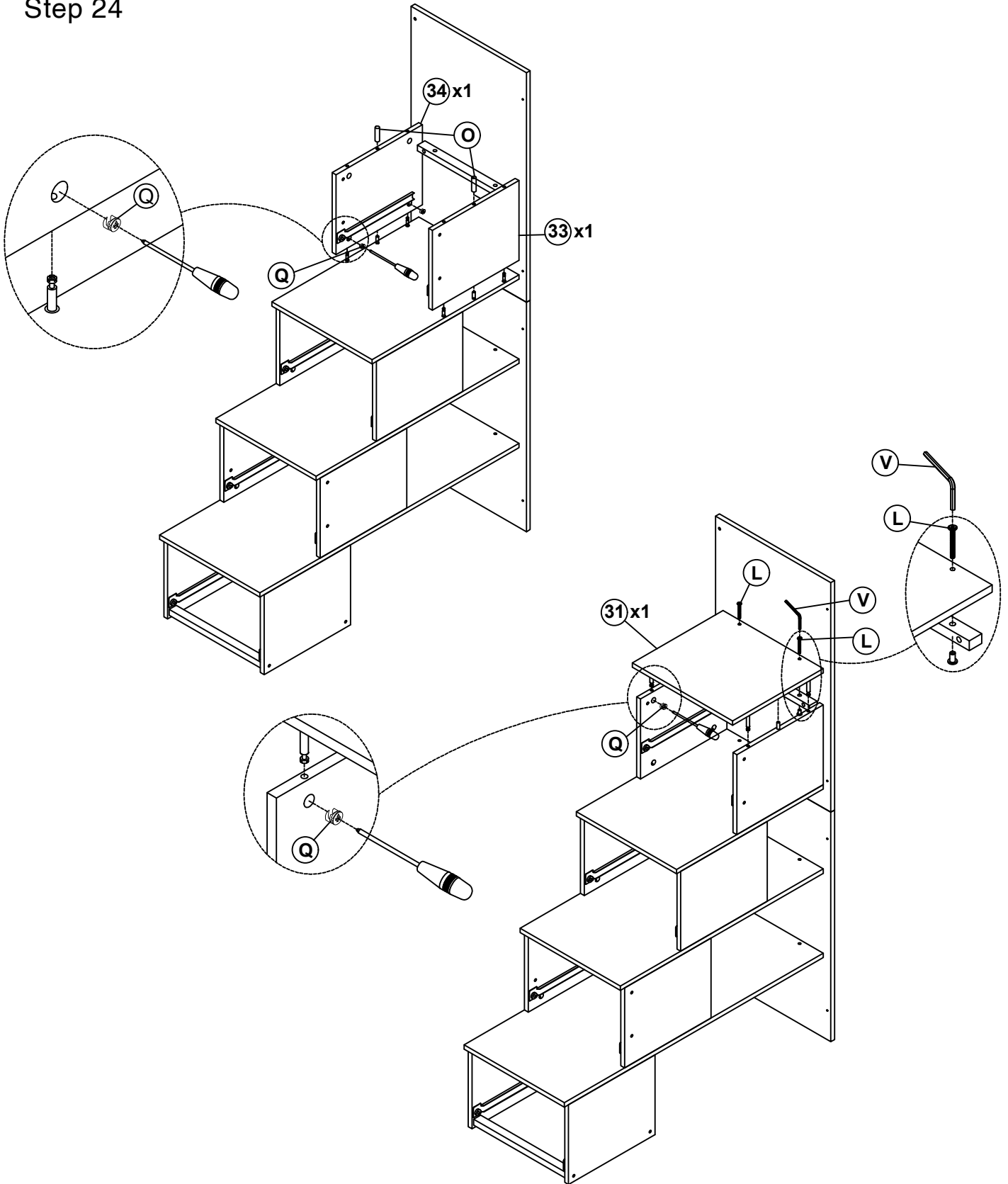
Step 23







| | | | | | | | |
|----------|----------|---|------|----------|--------|---|------|
| V | 4x58 |  | 1PC | | | | |
| P | Ø 6.5x35 |  | 4PCS | Q | Ø15x12 |  | 8PCS |
| L | 1/4x30 |  | 2PCS | O | Ø8x30 |  | 6PCS |

ASSEMBLY INSTRUCTIONS

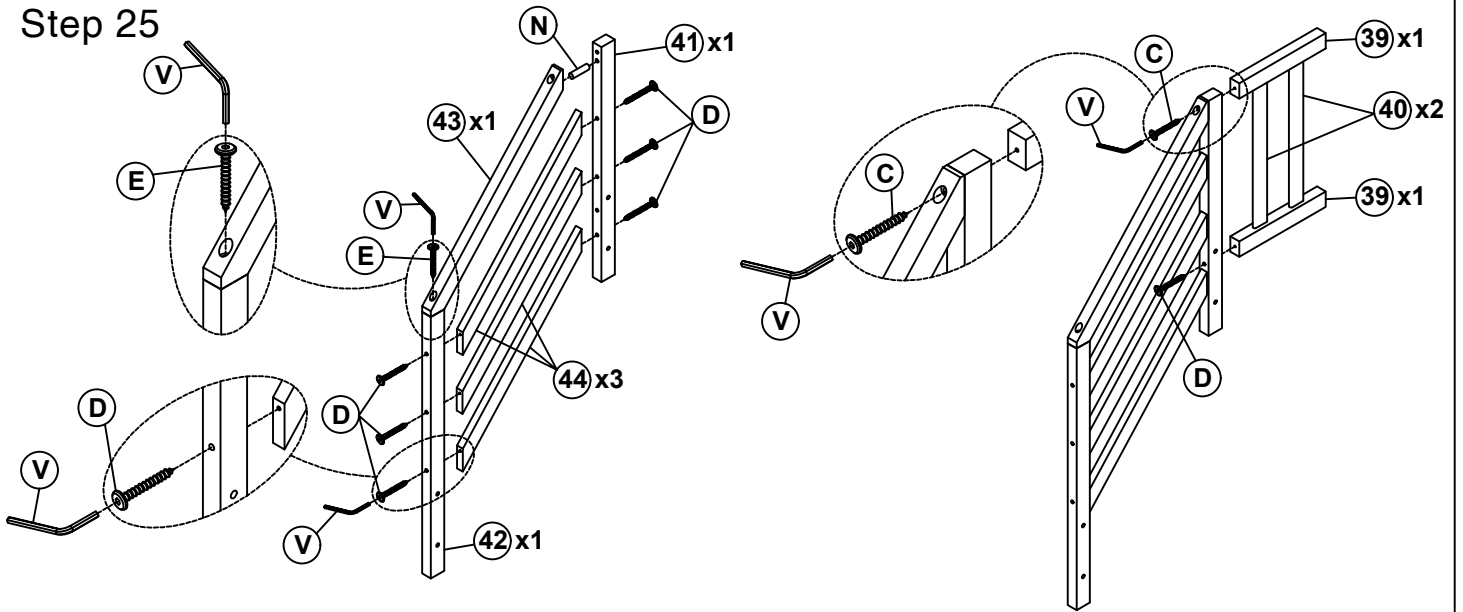
Step 24








| | | | | | | | |
|----------|--------|---|------|----------|--------|---|------|
| V | 4x58 |  | 1PC | Q | Ø15x12 |  | 8PCS |
| L | 1/4x30 |  | 2PCS | O | Ø8x30 |  | 2PCS |

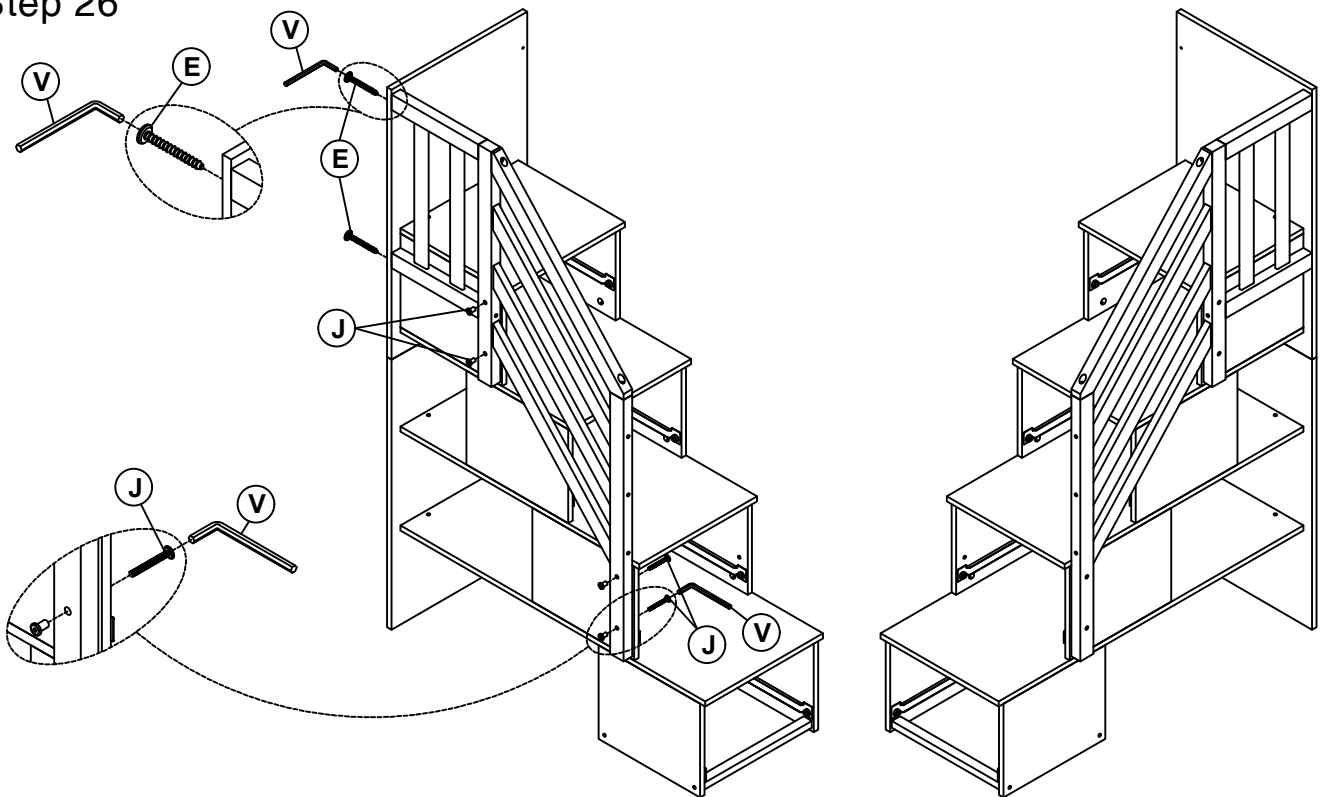
ASSEMBLY INSTRUCTIONS




Step 25



| | | | | | | | |
|----------|---------|--|------|----------|--------|--|-----|
| N | Ø10x40 |  | 1PC | | | | |
| C | 6.5x110 |  | 1PC | E | 6.5x60 |  | 1PC |
| D | 6.5x80 |  | 7PCS | V | 4x58 |  | 1PC |

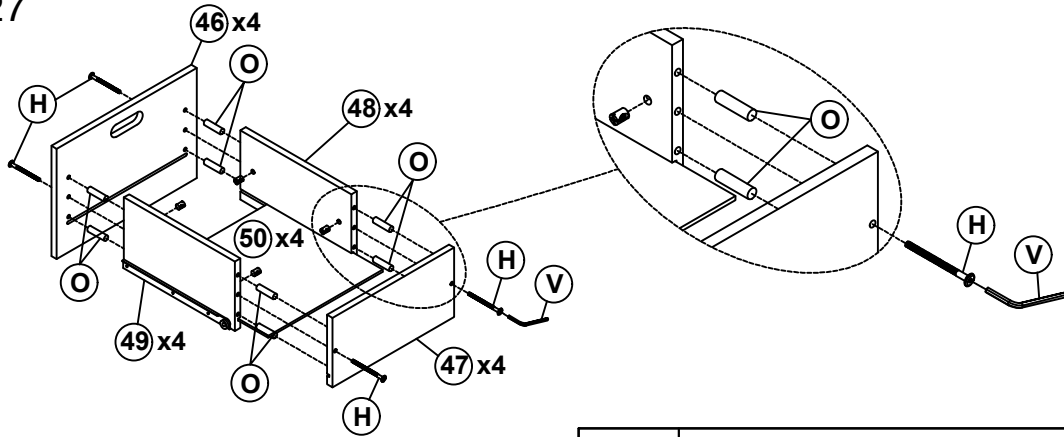
Step 26






| | | | | | | | |
|----------|--------|---|------|----------|------|---|-----|
| E | 6.5x60 |  | 2PCS | V | 4x58 |  | 1PC |
| J | 1/4x40 |  | 4PCS | | | | |

ASSEMBLY INSTRUCTIONS

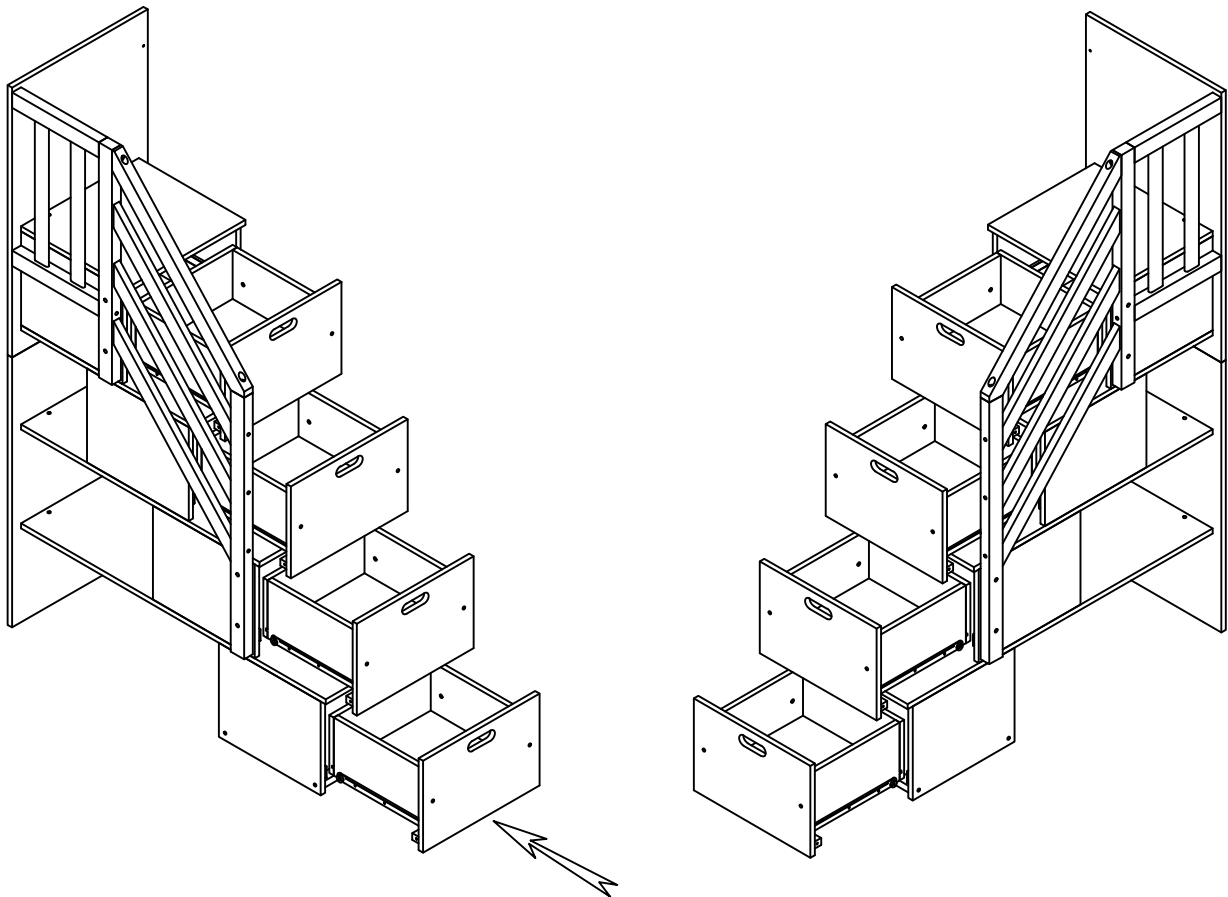
Step 27



| | | | |
|----------|--------|---|-------|
| V | 4x58 |  | 1PC |
| H | 1/4x60 |  | 16PCS |

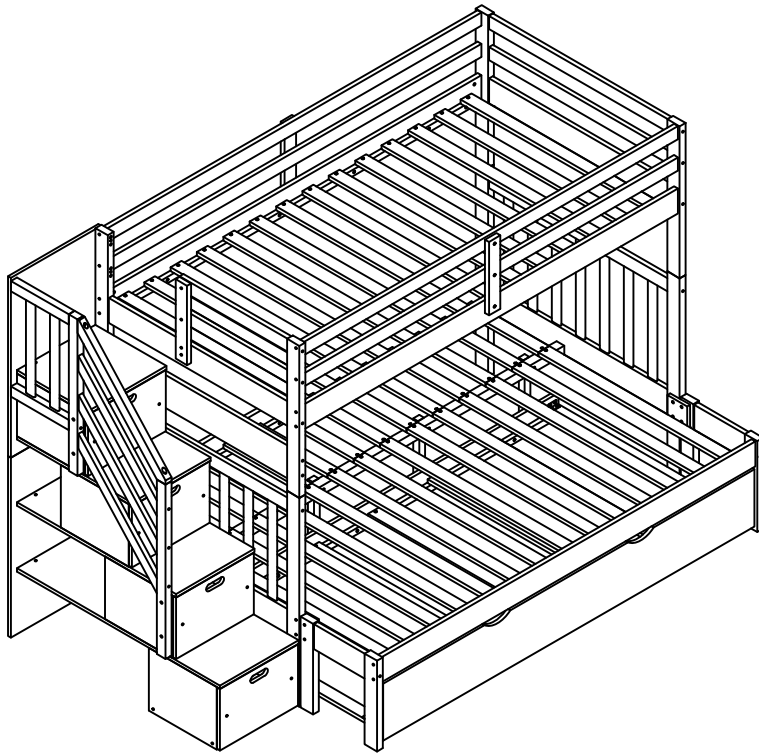
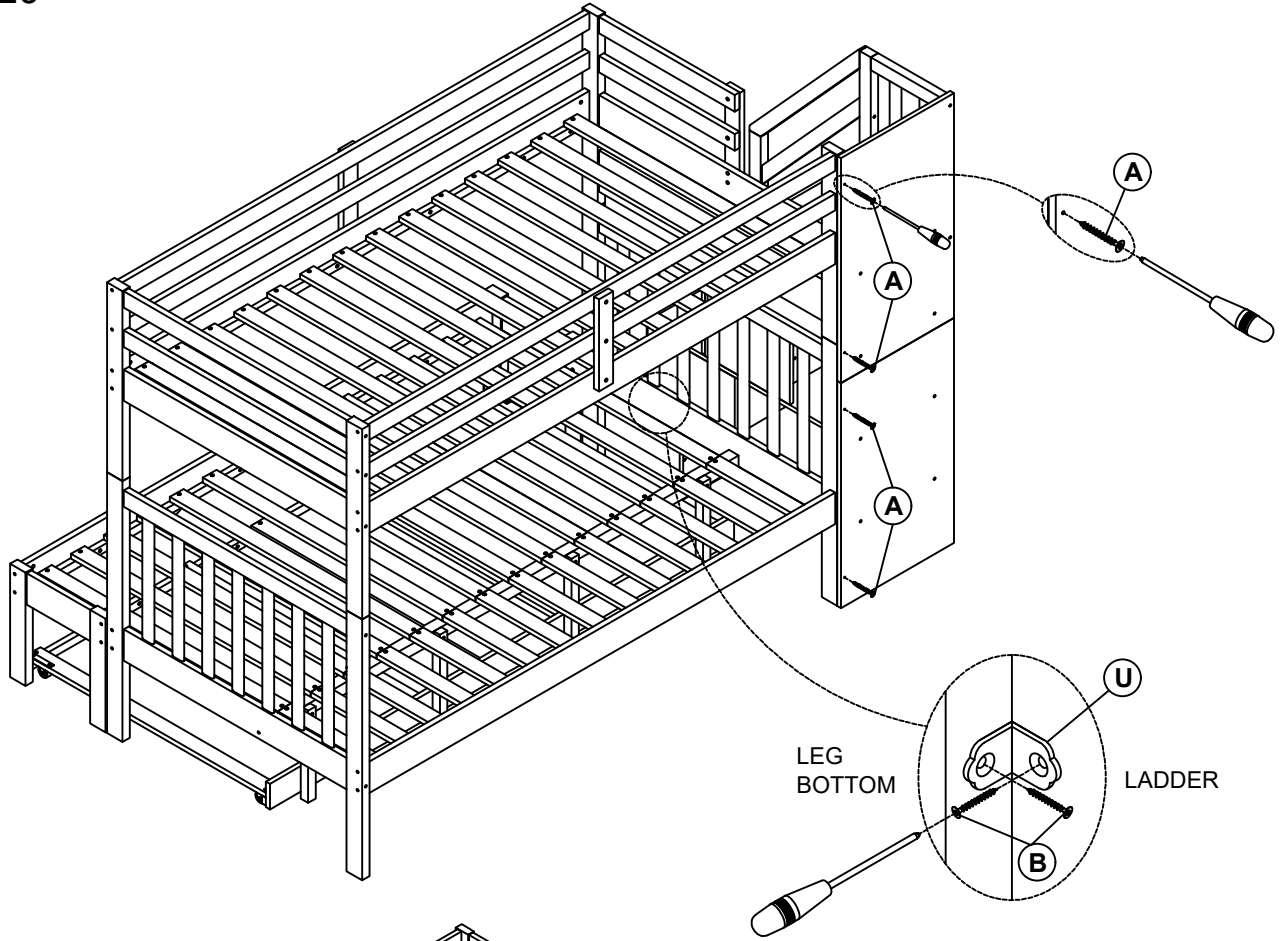
| | | | |
|----------|-------|---|-------|
| O | Ø8x30 |  | 32PCS |
|----------|-------|---|-------|




Step 28



ASSEMBLY INSTRUCTIONS

Step 29



| | | | | | | | |
|----------|-------|---|------|----------|---------|---|------|
| | | | | U | 15x15x2 |  | 1PC |
| A | Ø4x30 |  | 4PCS | B | Ø4x15 |  | 2PCS |