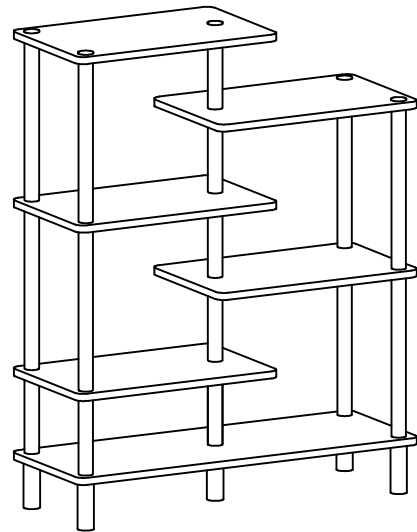
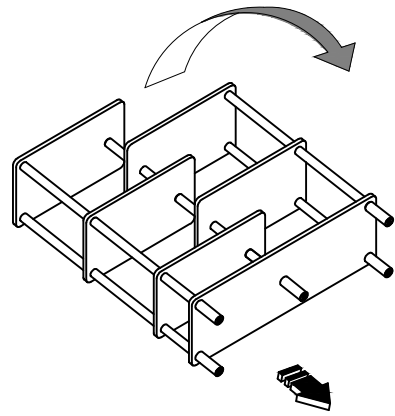



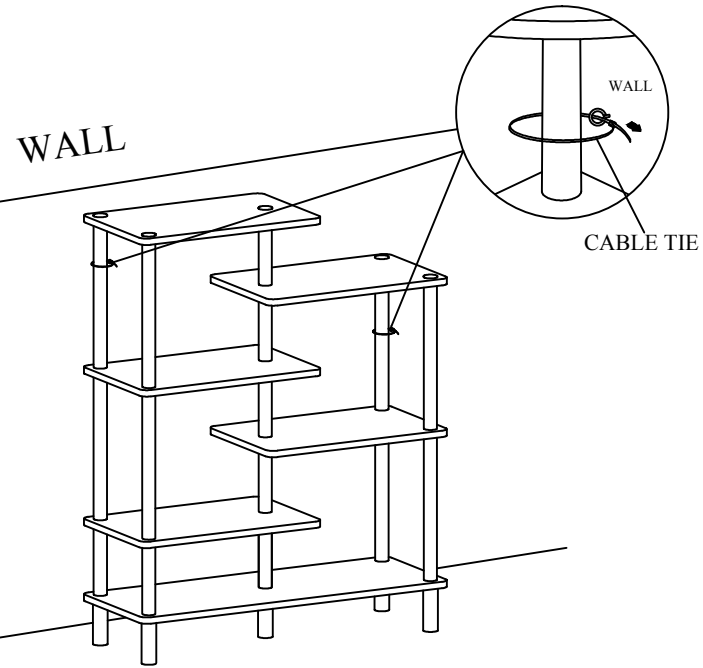
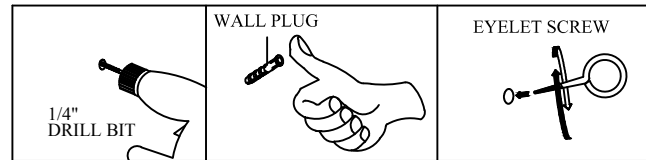


STEP 4 TURN 90°

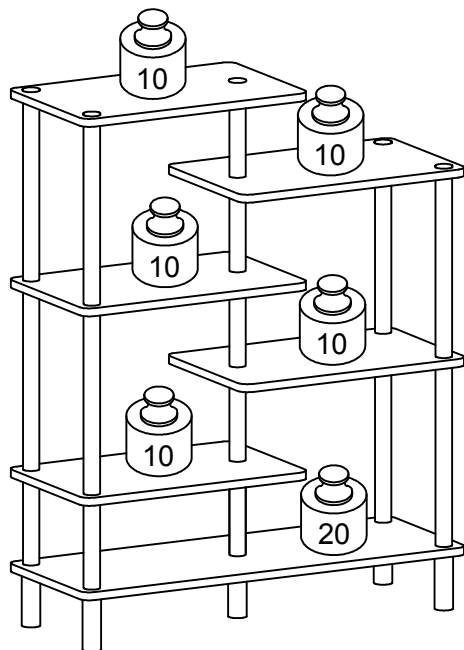


PLEASE FOLLOW BELOW INSTRUCTION TO PREVENT PRODUCT TIP OVER.

HARDWARE LIST			QTY
			2 SETS



Recommended Maximum Weight



*Unit in Pound(lbs.)

WARNING:

>This unit has been designed to support the maximum loads shown. Exceeding these load limits could cause sagging, instability, product collapse, and/or serious injury.

>DO NOT allow children to climb on unit.

> Put heavier items on lower shelves.

Assembly Instruction

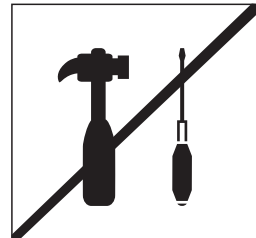
6 Tier Accent Display Rack

00:20

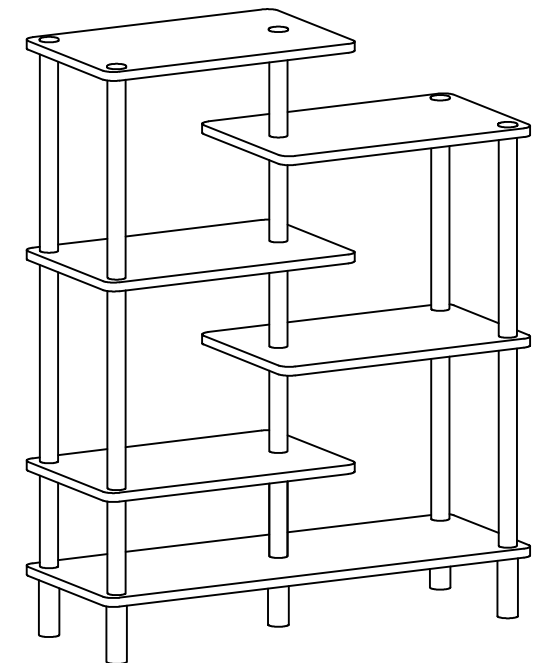
Approx. 20 minutes



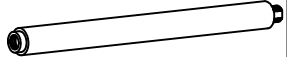



Recomm. 1 Person



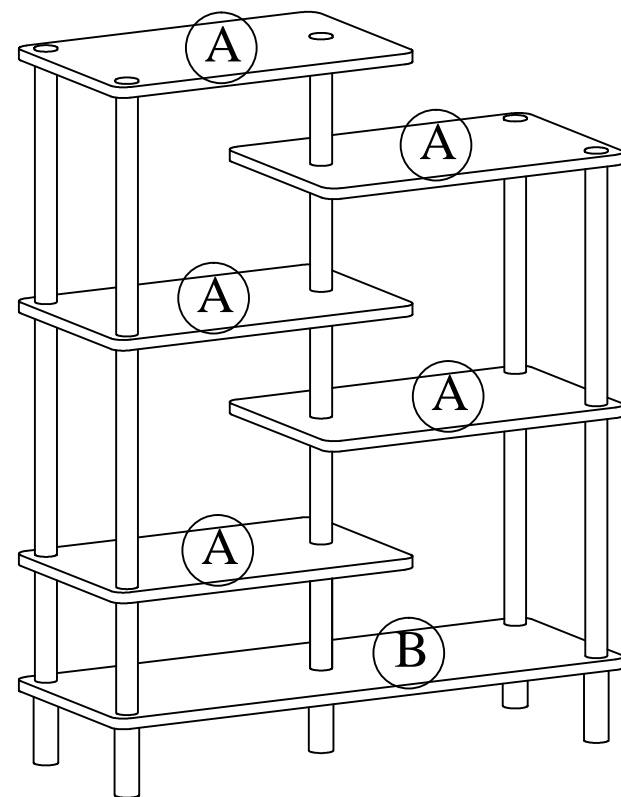
No Tools Required



HARDWARE & PARTS LIST

NO	HARDWARE LIST	QTY
1	LONG POLE 	8pcs
2	SHORT POLE 	7pcs
3	LONG LEG 	5pcs
4	TOP CAP 	5pcs

NO	PARTS LIST	QTY
A	SHELF PANEL	5pcs
B	BOTTOM PANEL	1pc



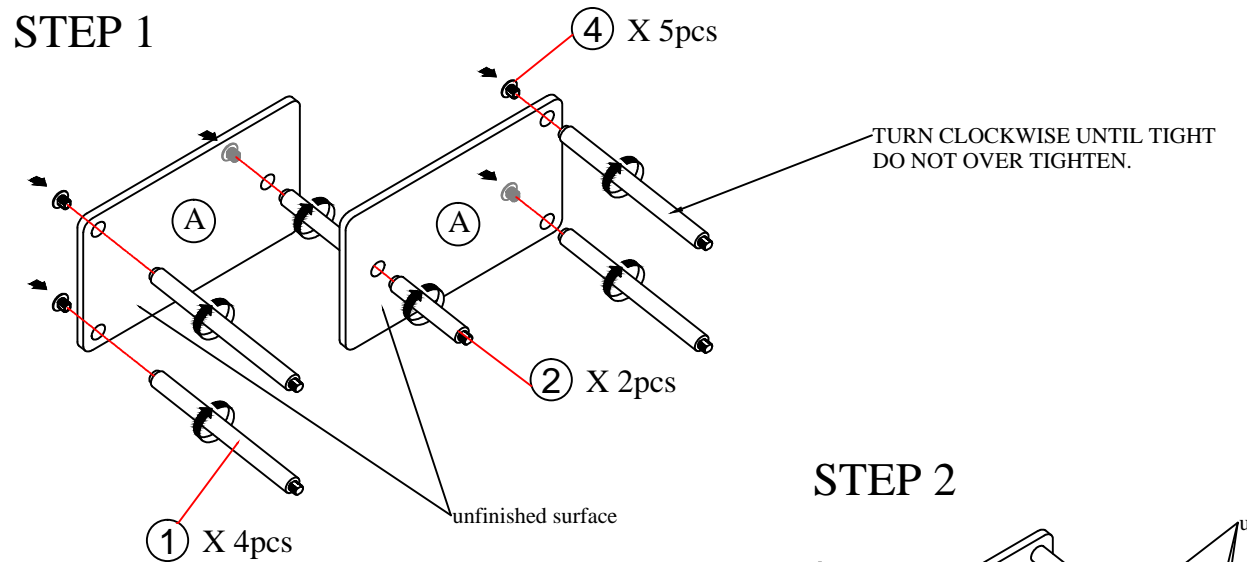
USEFUL HINTS BEFORE YOU START:

1. Read each step carefully before starting.
2. It is important that each step is performed in correct order to avoid difficulties.
3. Identify, sort and count the parts before assembly.
4. Assemble your furniture on packaging cardboard to prevent scratch or damage.
5. Clean the product with mild cleanser using soft damped cloth. Do not use harsh or abrasive cleanser.
6. Using incompatible hardware might cause damage to product.

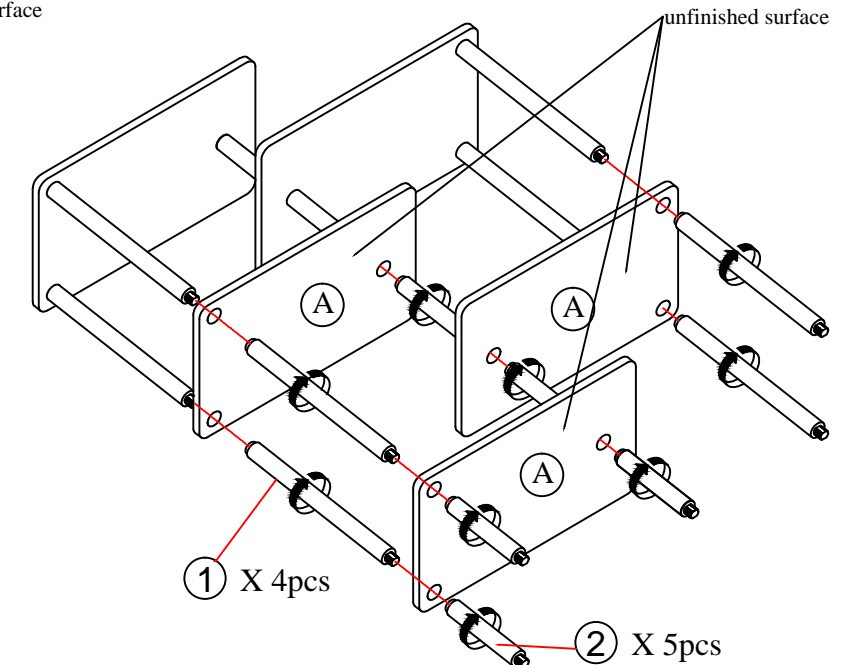
ASSEMBLY INSTRUCTIONS

BEFORE YOU BEGIN, PLEASE READ ASSEMBLY INSTRUCTION CAREFULLY, FOLLOW THEM STEP BY STEP.

STEP 1



STEP 2



STEP 3

