

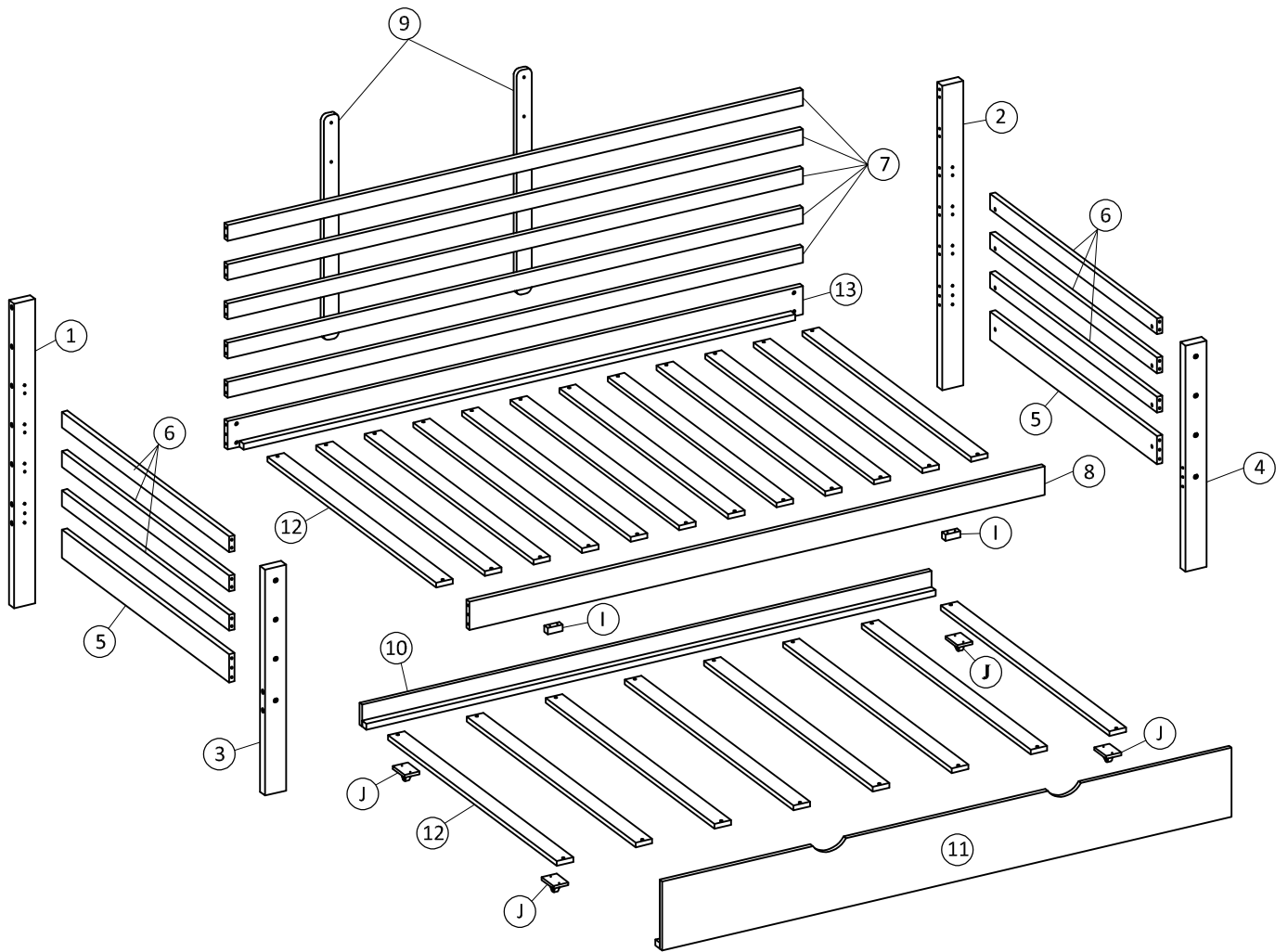
Attention: Do not tighten the bolts and screws before the allen bolts are in place

USER'S MANUAL

Daybed

20HCVNTTDB01-BR
20HCVNTTDB01-WT

Detail:



BEFORE YOU GET STARTED, A FEW POINTS



Having a friend to help makes assembly extra-easy

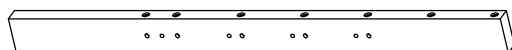


Mind the important safety information

Place all parts on a clean, scratch-free surface.

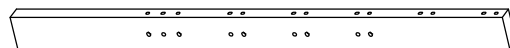
PLEASE MAKE SURE ALL THE PARTS ARE INCLUDED

1



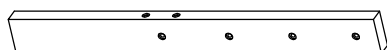
Back Left Leg *1

2



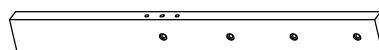
Back Right Leg *1

3



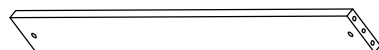
Front Left Leg *1

4



Front Right Leg *1

5



Big Guard *2

6



Small Guard *6

7



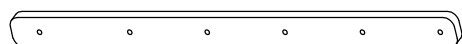
Back Guard *5

8



Front Side Rail *1

9



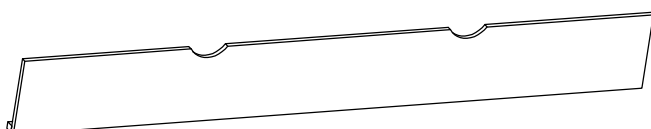
Back Wood Bar *2

10



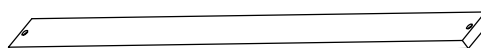
Back Trundle *1

11



Front Trundle *1

12



Slats *20

13



Back Side Rail *1

A



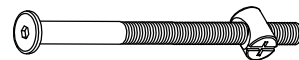
Dowel Ø8*30mm
(34pcs)

B



Allen key 60*22*4mm
(1pc)

C



Bolts M6*110mm
(18pcs)

D



Bolts M6*70mm
(16pcs)

E



Bolts M6*30mm
(12pcs)

F



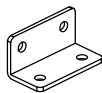
Flat head screw #8*30mm
(52pcs)

G



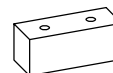
Flat head screw #7*15mm
(16pcs)

H



Base L small
(4pcs)

I



Wood bar
(2pcs)

J



Wheels
(4pcs)

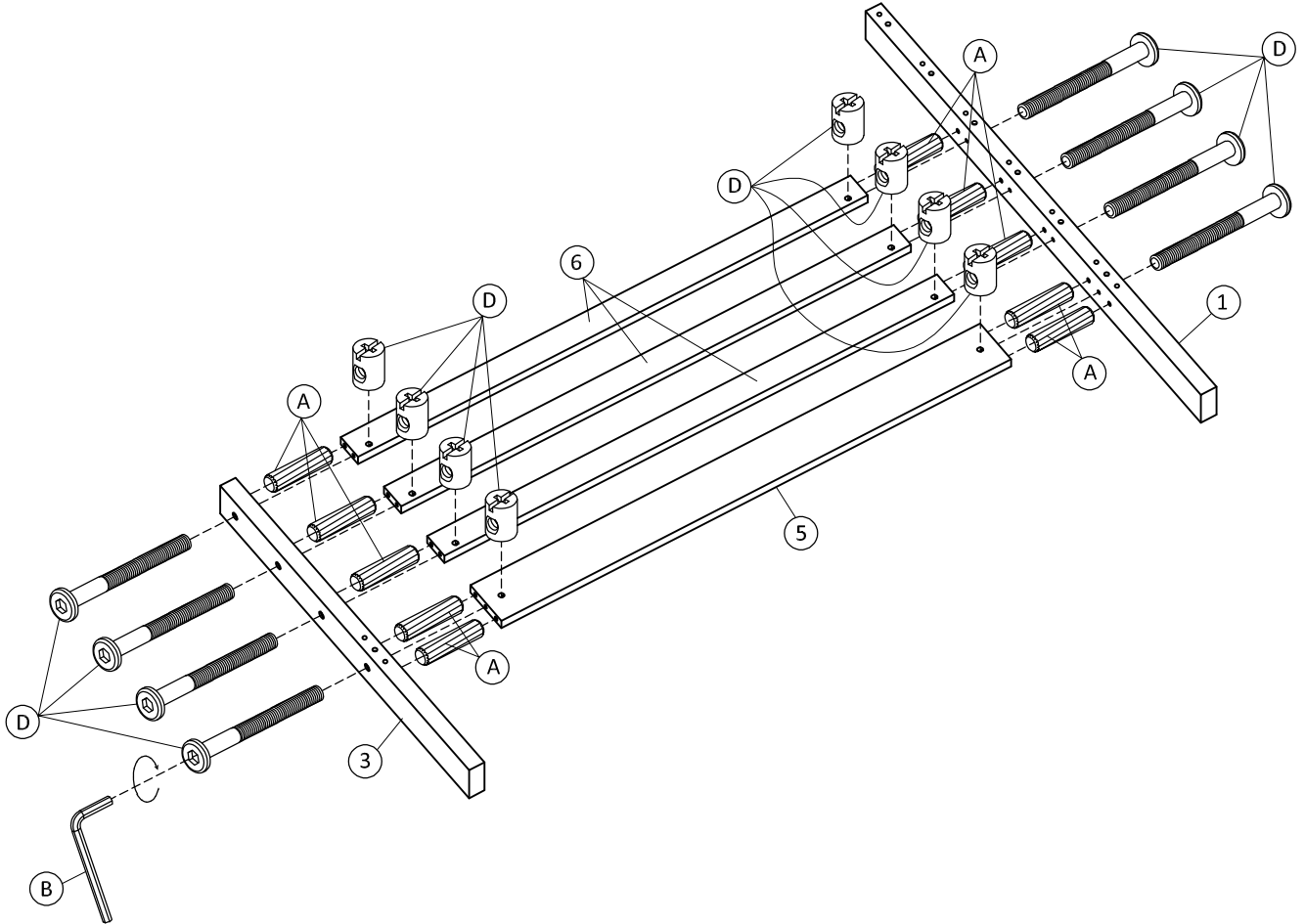
Missing parts?



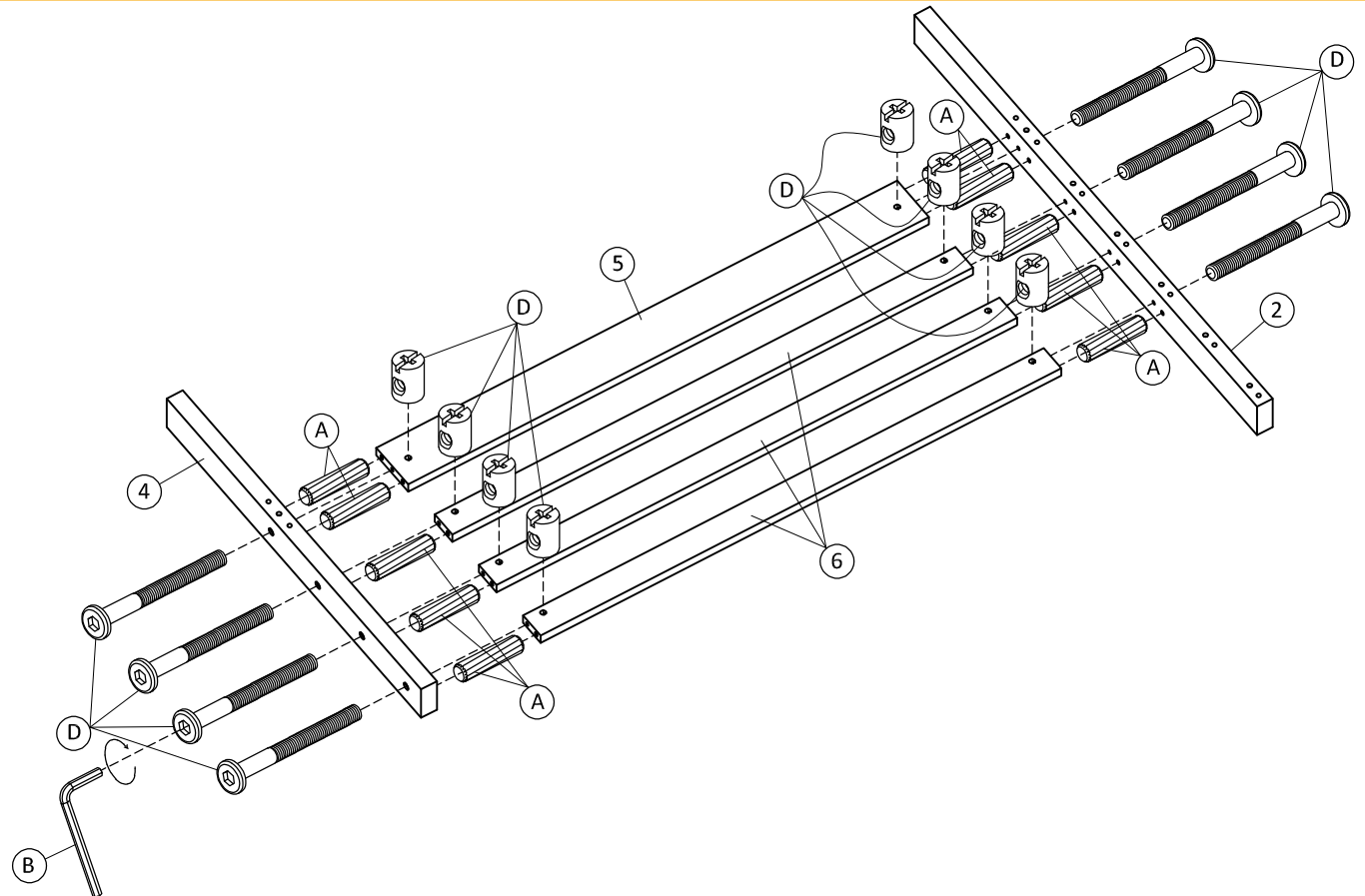
hyltech@outlook.com

ASSEMBLY INSTRUCTIONS - ATTENTION

STEP 1

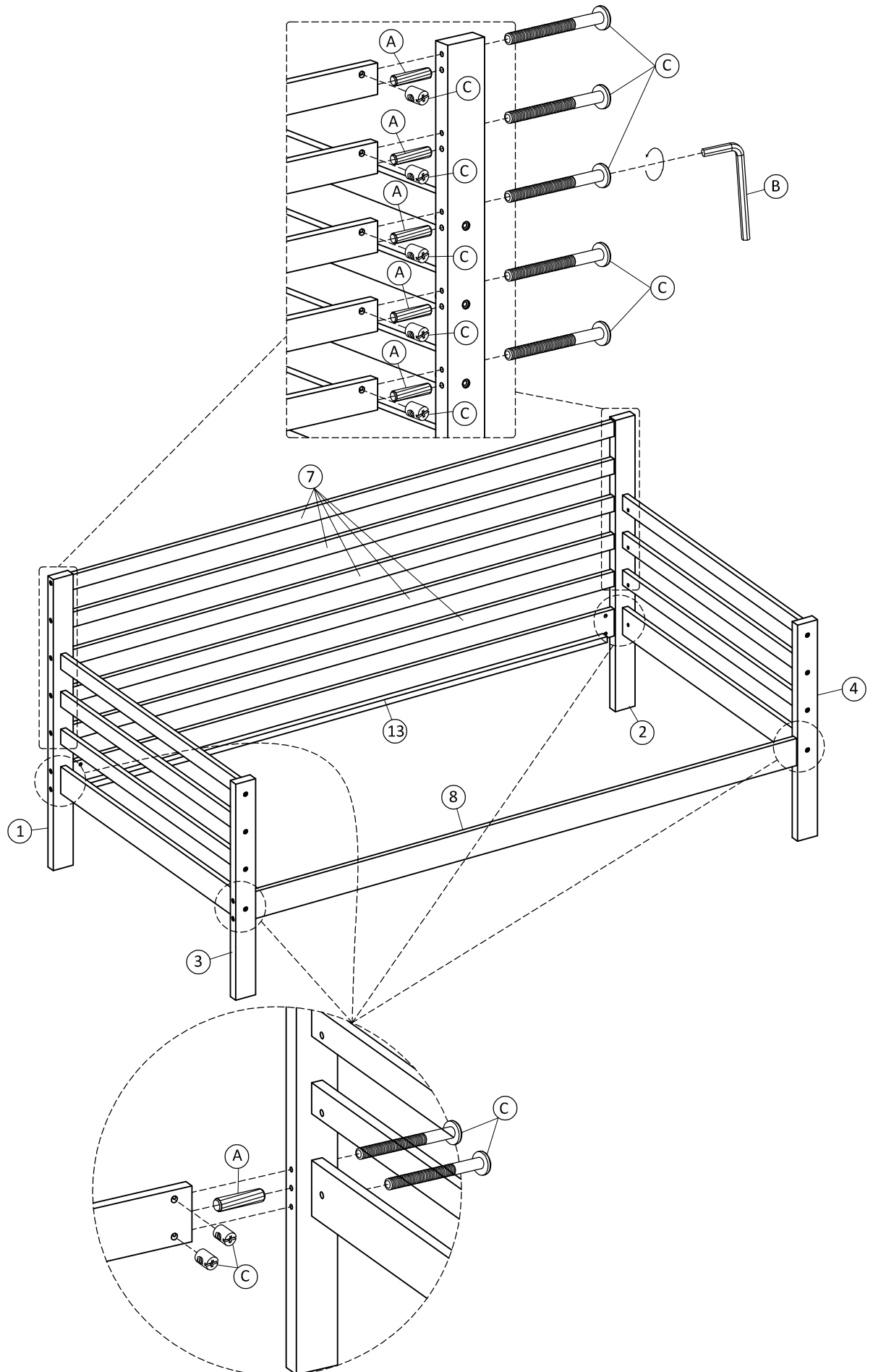


STEP 2



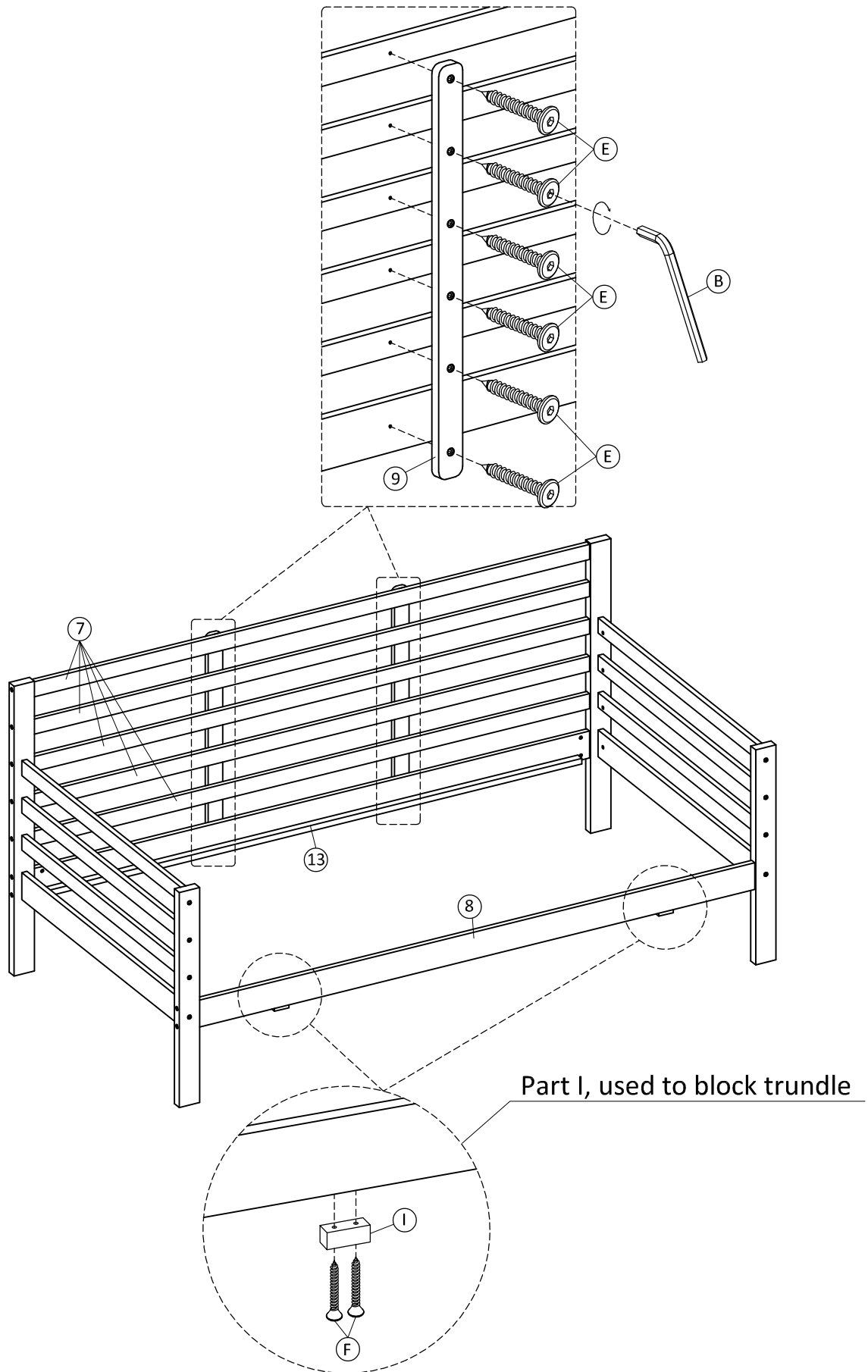
ASSEMBLY INSTRUCTIONS - ATTENTION

STEP 3



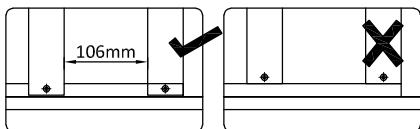
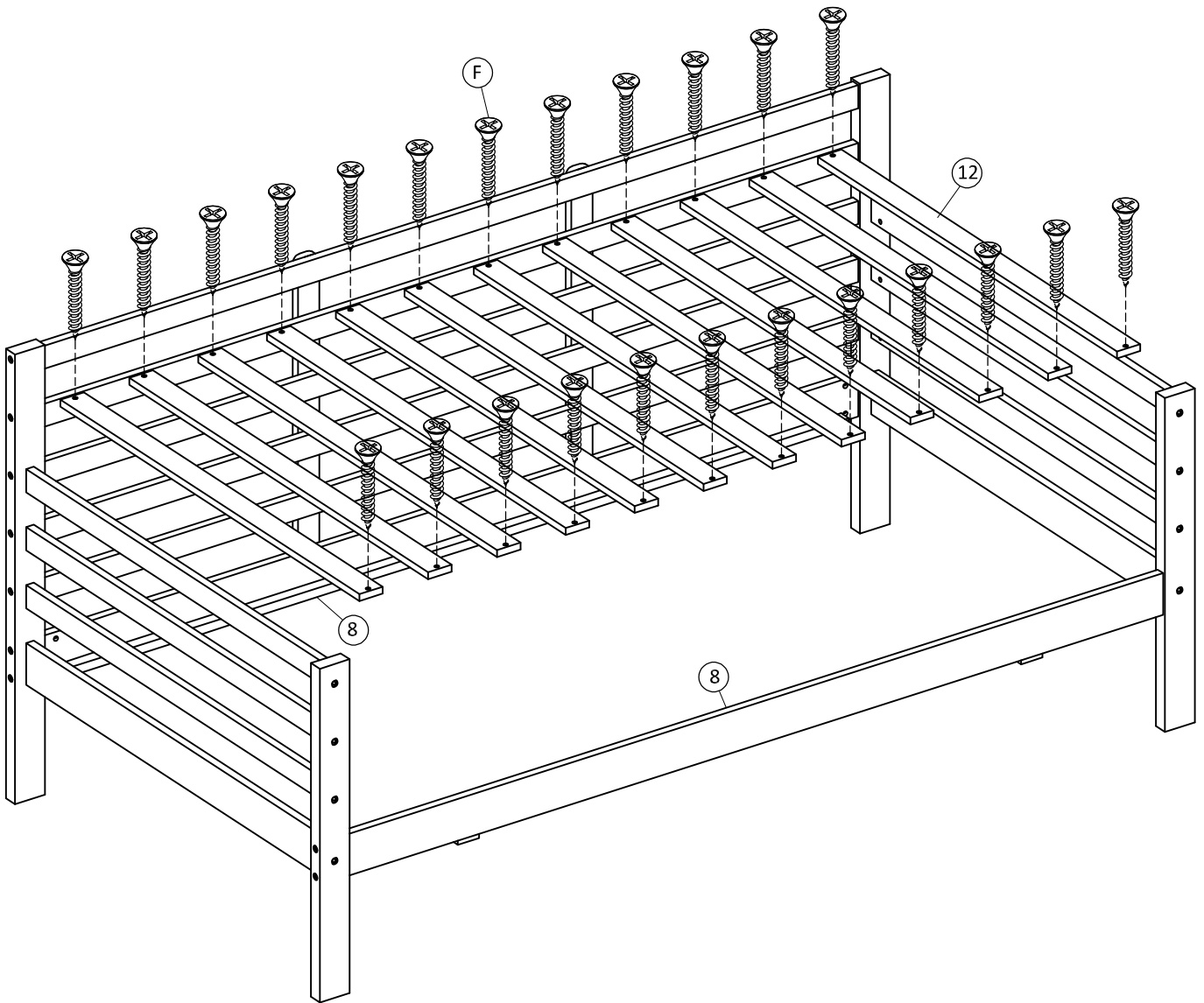
ASSEMBLY INSTRUCTIONS - ATTENTION

STEP 4



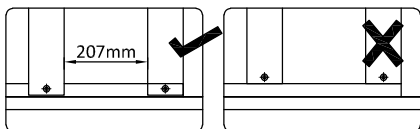
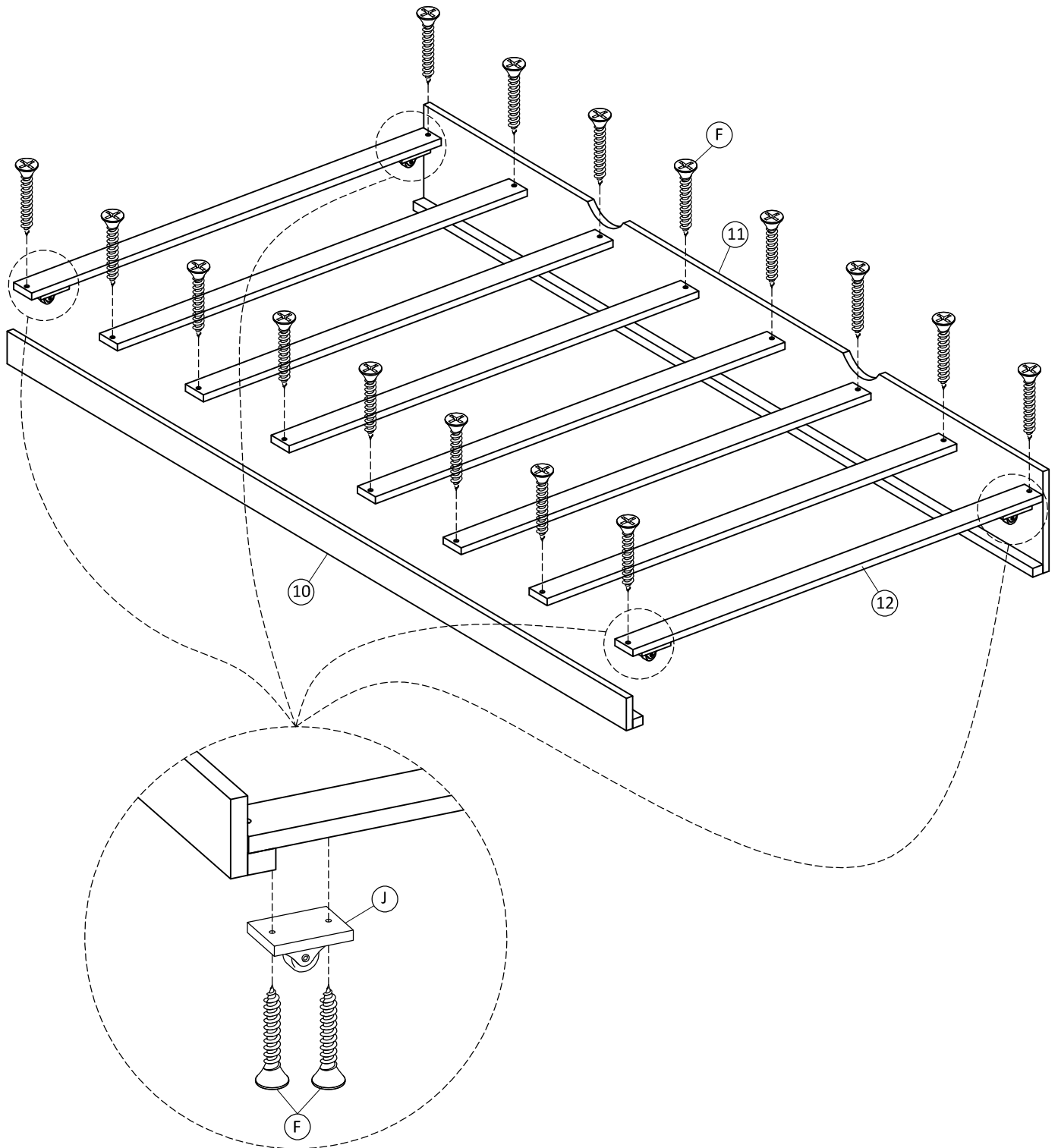
ASSEMBLY INSTRUCTIONS - ATTENTION

STEP 5



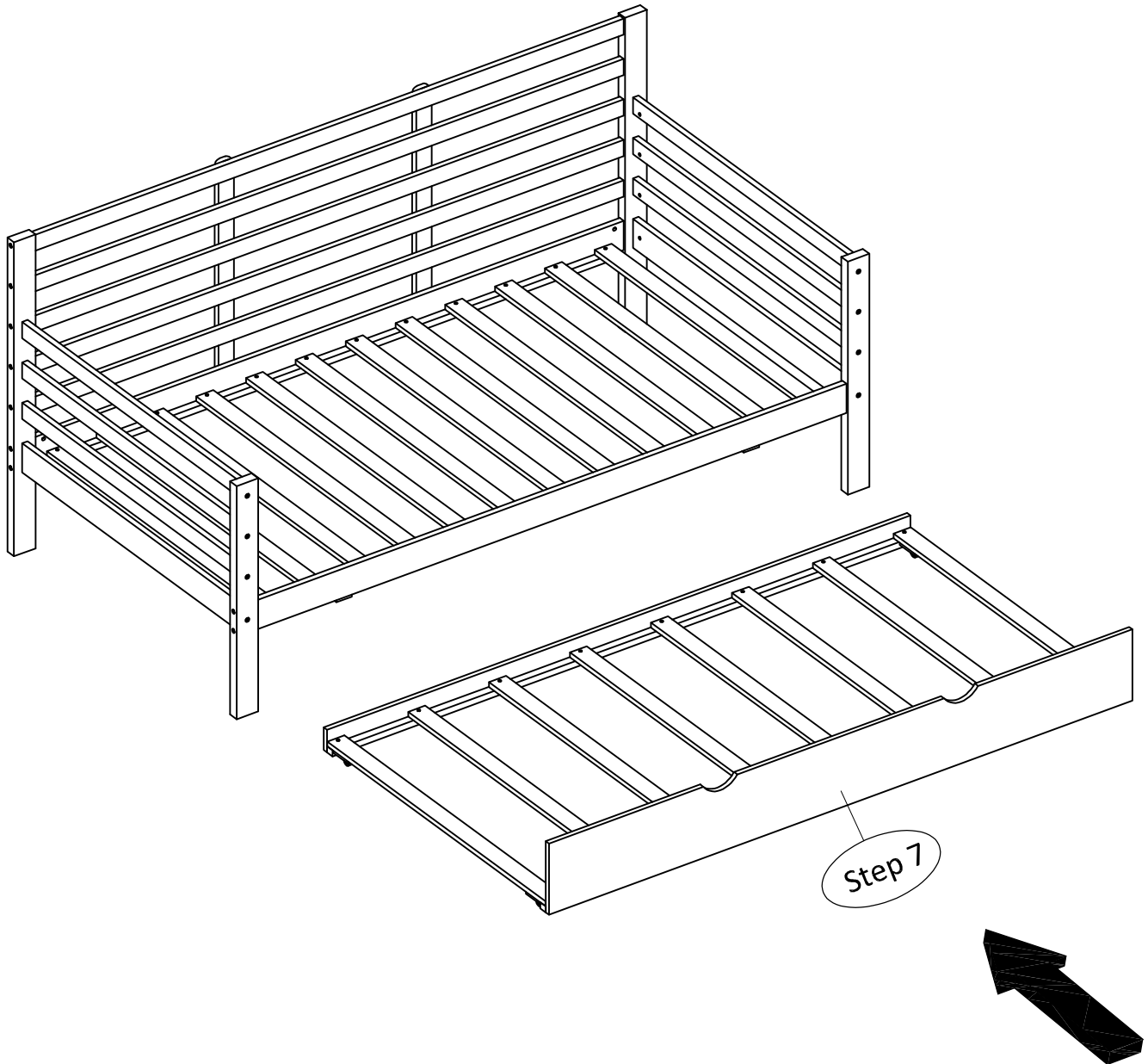
ASSEMBLY INSTRUCTIONS - ATTENTION

STEP 6



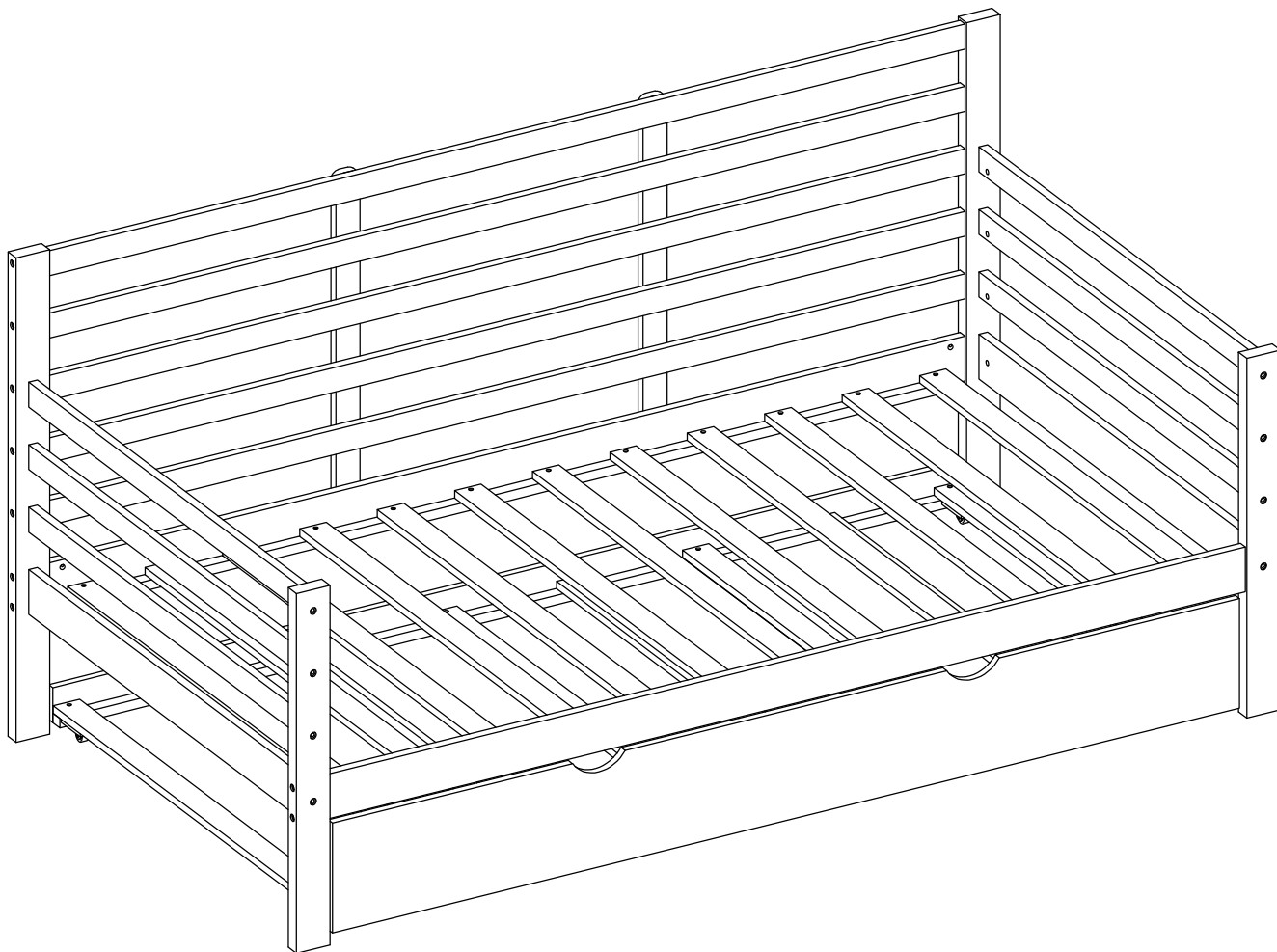
ASSEMBLY INSTRUCTIONS - ATTENTION

STEP 8



ASSEMBLY INSTRUCTIONS - ATTENTION

COMPLETED.

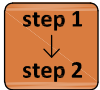




WARNING



Read the instructions carefully.



Please follow the assembly steps

Safety maximum Weight: 350 LBS

To ensure proper assembly, follow all steps and use all parts, do not use power tools. Failure to follow this warning can result in serious injury to yourself or others.

Please inspect all items before assembly, if for any reason you need to return this item, please kindly return in its original packaging.

To avoid misalignments, leave the screws loose and do not tighten them until all are in their respective places.

Do not tighten all bolts and screws completely until the entire unit has been assembled and set up.

Do not over tighten or force the screws as they could break, strip, or damage the threads of the holes.

Using the wrong size of screws on a part could result in damage to the screw or the part.

Lubricate all moving parts and tighten all bolts/screws every 6 month or whenever needed.

Do not use if this product become damaged, and/or components are broken or missing.