

ASSEMBLY INSTRUCTION

Thank you for purchasing this quality product. Be sure to check all packing material carefully for small parts which may have come loose inside the carton during shipment. Separate, identify and count all parts and hardware. Compare with the parts list to be sure all parts are present.

IMPORTANT : PLEASE READ INSTRUCTION BEFORE STARTING THE ASSEMBLY.

"DO NOT TIGHTEN SCREWS UNTIL COMPLETELY ASSEMBLED"

"DO NOT OVERTIGHT ANY HARDWARE"

WARNING : SMALL PARTS AND HARDWARE NOT FOR CHILDREN UNDER 3 YEARS. ADULT ASSEMBLY REQUIRED.

TABLE OF CONTENTS

HARDWARES LIST	PAGE 2
PARTS LIST	PAGE 3 - 4
PARTS' LOCATION	PAGE 5
ASSEMBLY STEPS	PAGE 6 - 9
ASSEMBLY COMPLETED	PAGE 9

ASSEMBLY TOOLS REQUIRED

1. Screwdriver (not provide)



2. Hammer (not provide)

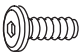
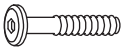
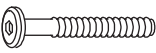
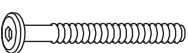










Skip the power trip this time.



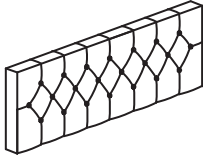
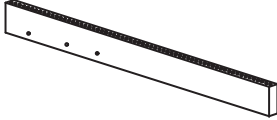

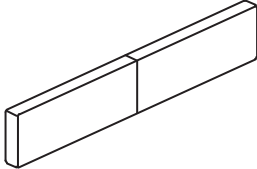

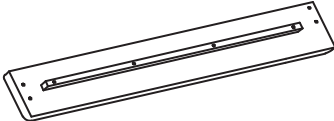
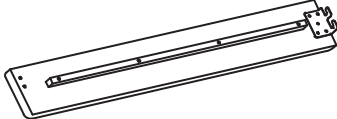

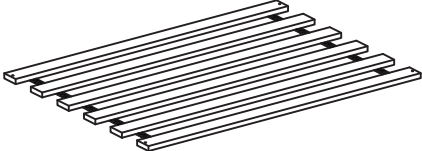
ASSEMBLY INSTRUCTION

HARDWARES LIST

ITEM	DESCRIPTION	DRAWING	QTY
A	JCBC SCREW M8 x 20MM		4 PCS
B	JCBC SCREW M6 x 35MM		14 PCS
C	JCBC SCREW M8 x 50MM		4 PCS
D	JCBC SCREW M6 x 50MM		4 PCS
E	WOOD DOWEL M10 x 30MM		4 PCS
F	SPRING WASHER M6 x 13MM		14 PCS
G	FLAT WASHER M6 x 19MM		14 PCS
H	CSK C/B SCREW (M4 x 32MM)		8 PCS
I	M5 ALLEN KEY (65MM)		1 PC
J	M4 ALLEN KEY (100MM)		1 PC
K	SPRING WASHER M8 x 14MM		4 PCS
L	FLAT WASHER M8 x 22MM		4 PCS

ASSEMBLY INSTRUCTION

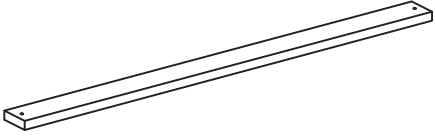

PARTS LIST

ITEM	DESCRIPTION	DRAWING	QTY
1	HEADBOARD		1 PC
2	WING (L)		1 PC
3	WING (R)		1 PC
4	FOOTBOARD		1 PC
5	FOOTBOARD LEG		2 PCS
6	SIDE RAIL (L/R)		2 PCS
7	SIDE RAIL (L/R)		2 PCS
8	SIDE RAIL LEG		2 PCS
9	SLAT		2 ROLL

MORE PARTS DETAIL IN NEXT PAGE...

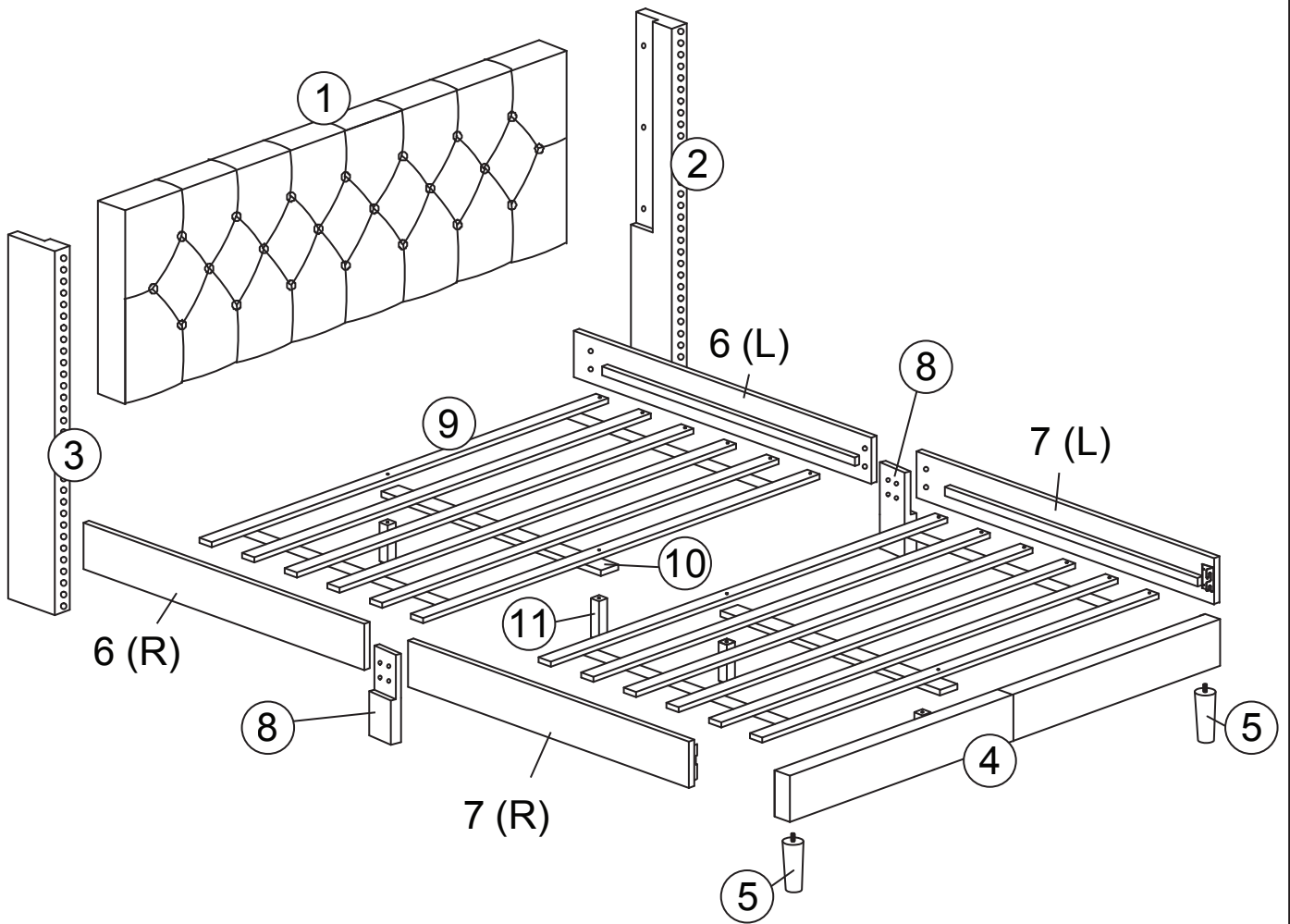
ASSEMBLY INSTRUCTION

PARTS LIST

ITEM	DESCRIPTION	DRAWING	QTY
10	CENTER SUPPORT		2 PCS
11	SUPPORT LEG		4 PCS

ASSEMBLY INSTRUCTION

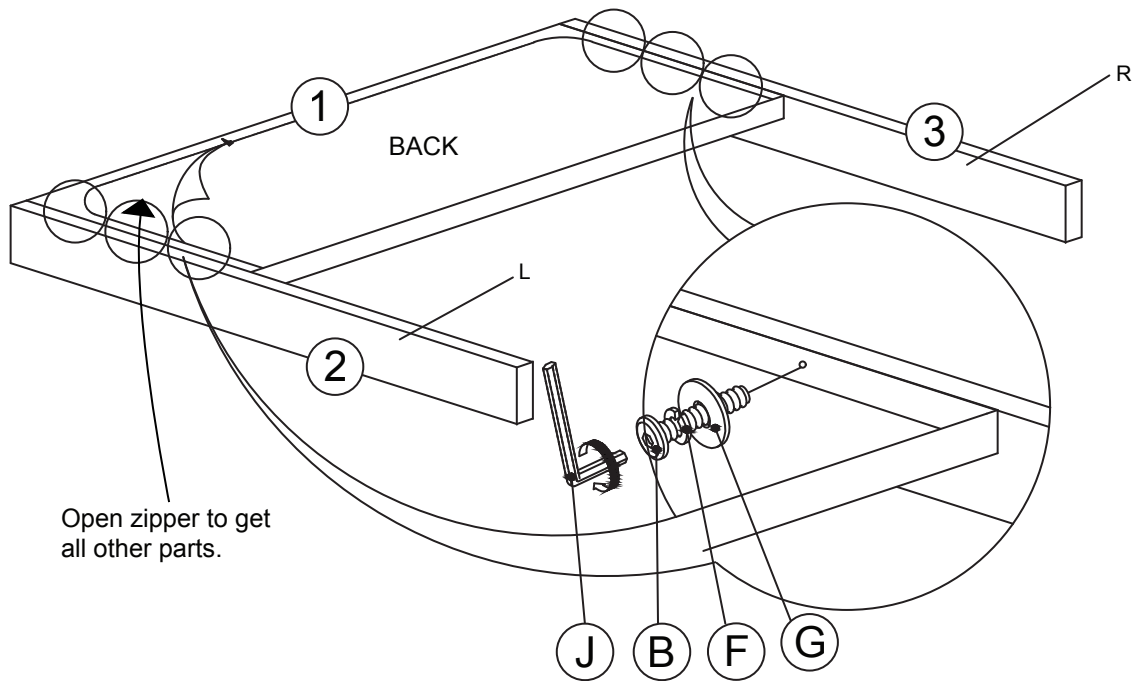
PARTS ' LOCATION



ASSEMBLY INSTRUCTION

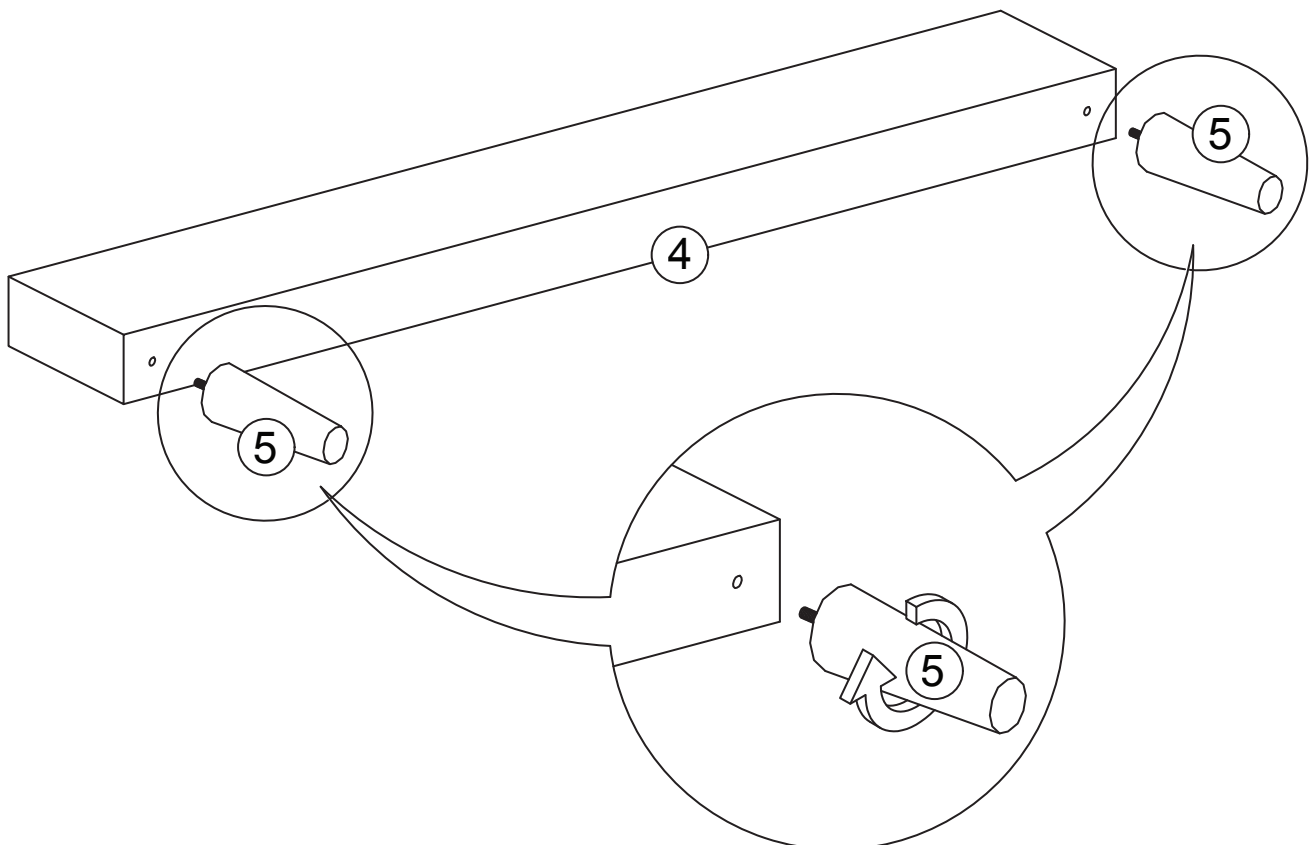
STEP 1

Insert 6pcs (B) , (F) and (G) to combine (2) and (3) to the (1) as shown.



STEP 2

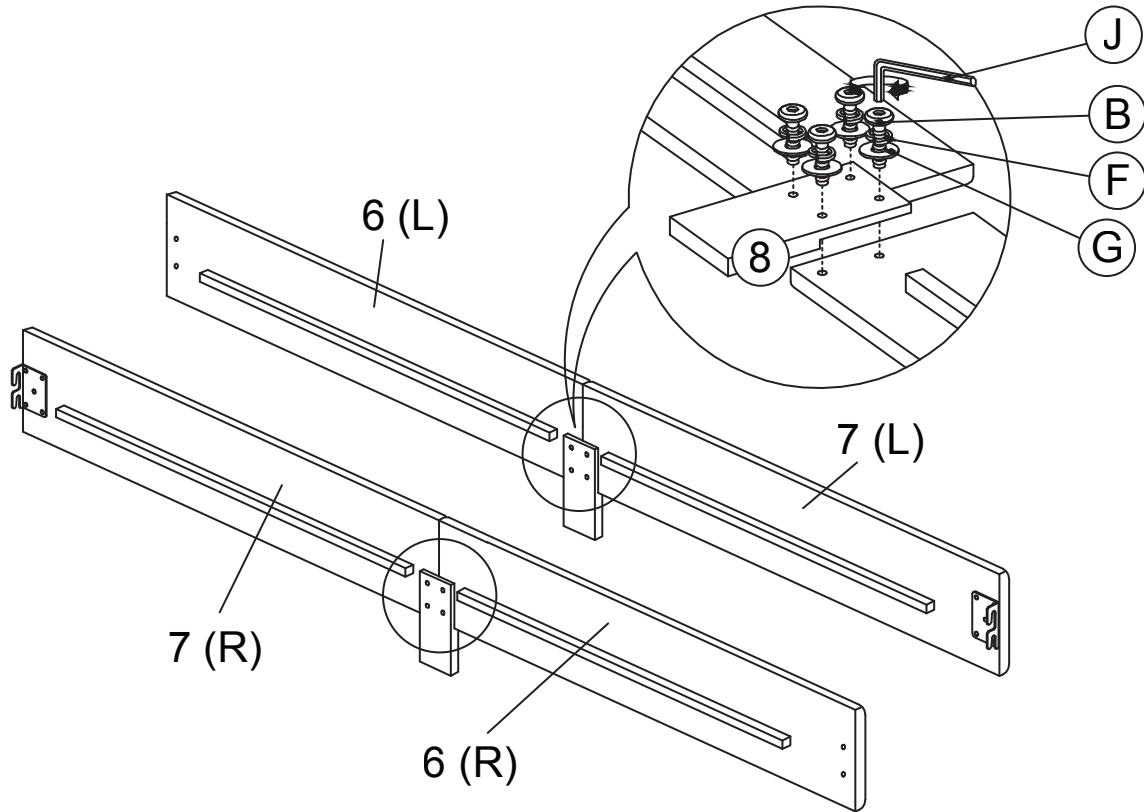
Turn (5) clockwise to combine it to (4) .



ASSEMBLY INSTRUCTION

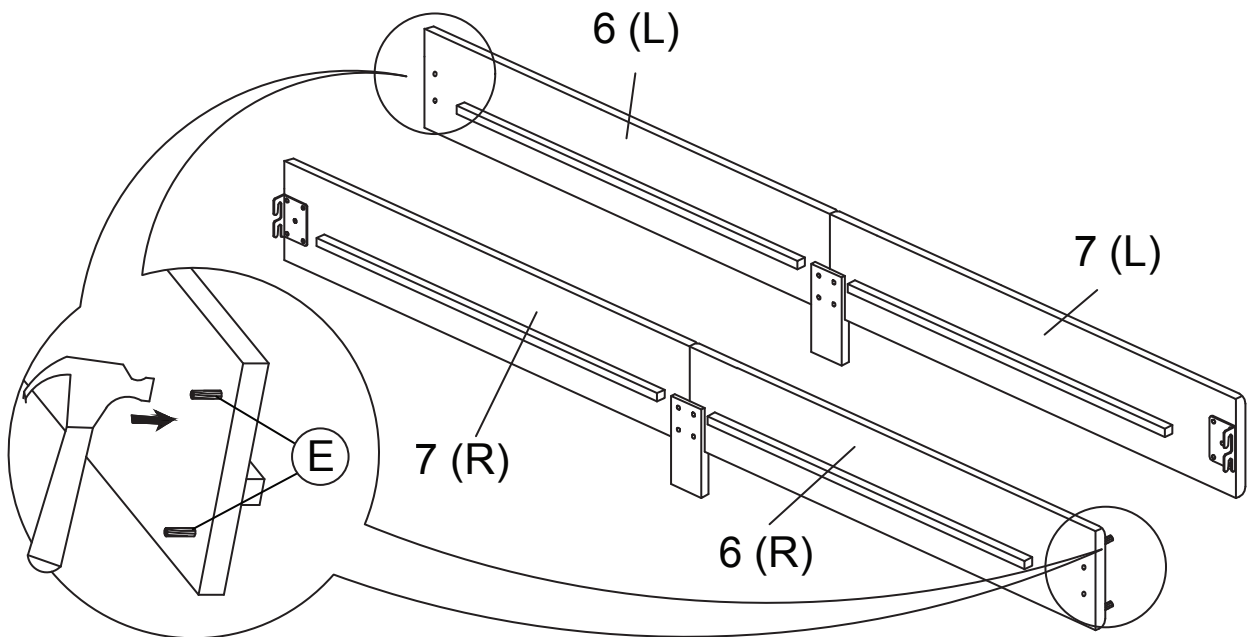
STEP 3

Insert 8pcs (B) , (F) and (G) to combine 2pcs (8) to (6) and (7) as shown.



STEP 4

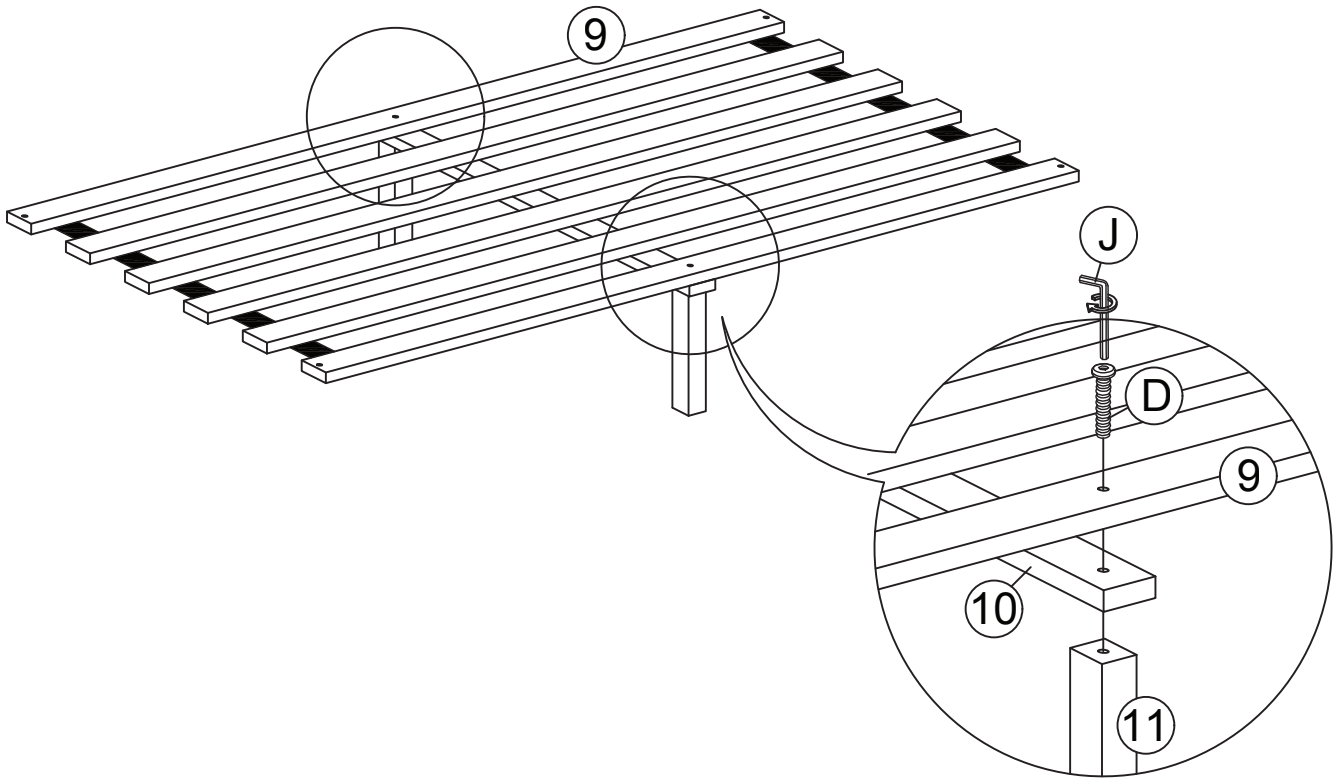
Insert 4pcs (E) to (6)(L) and (6)(R) as shown.



ASSEMBLY INSTRUCTION

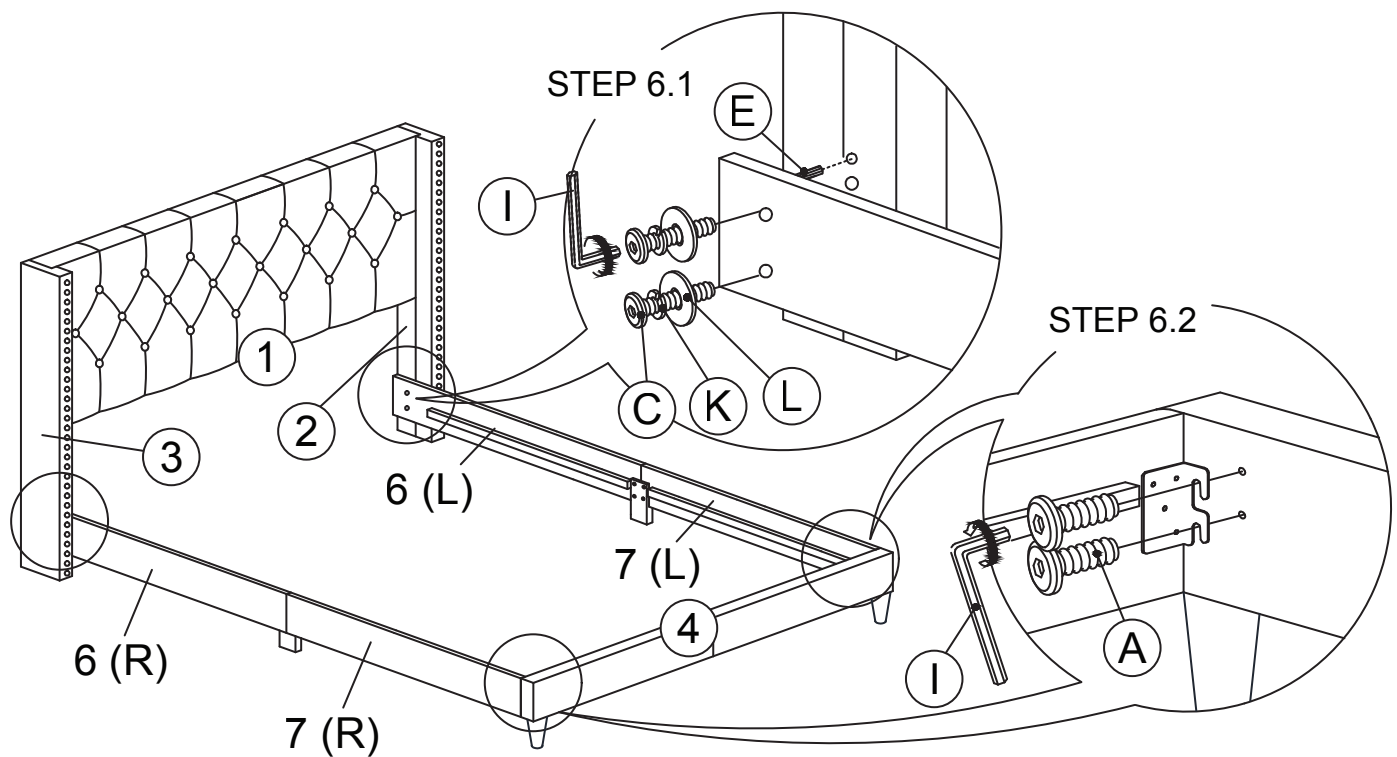
STEP 5

Insert 4pcs (D) to combine (10) and (11) to the (9) as shown.



STEP 6

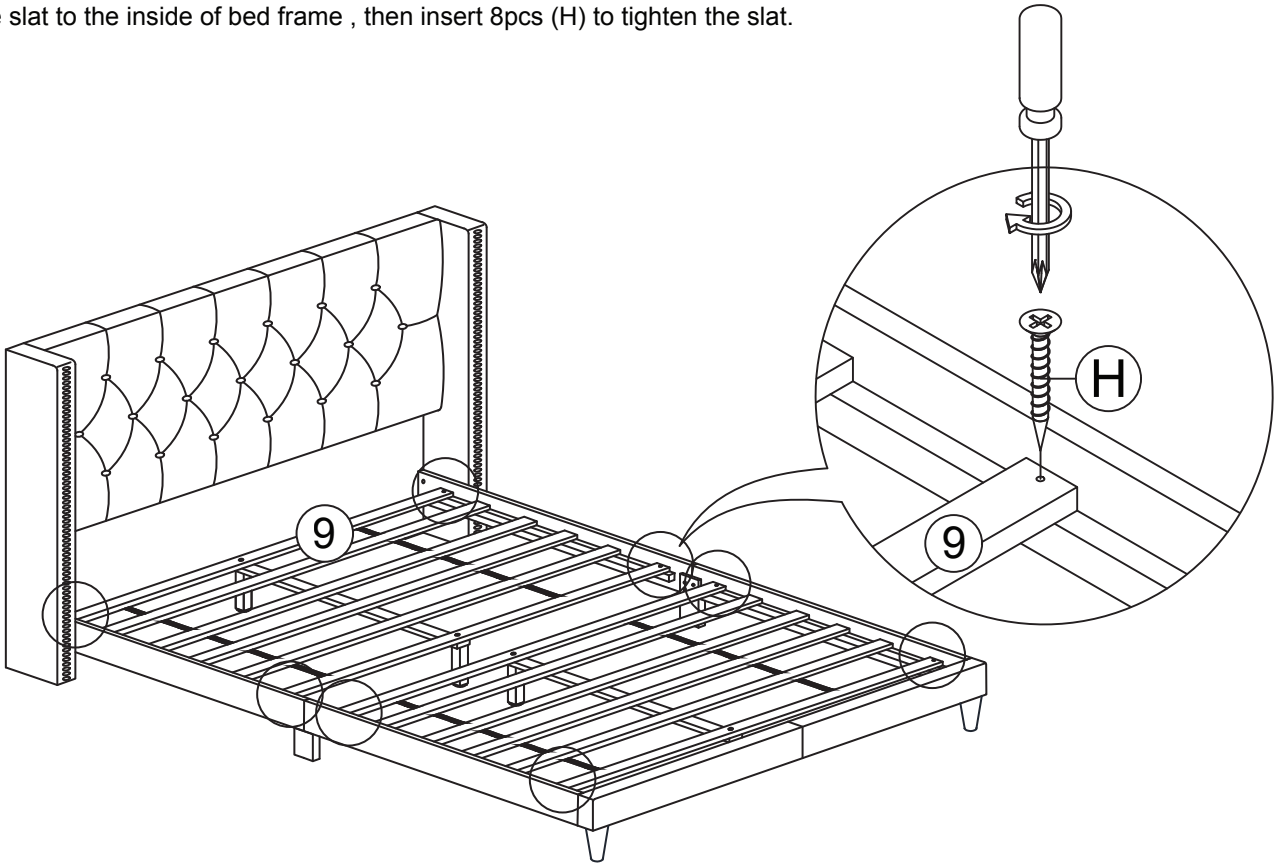
Insert 4pcs (C) , (K) and (L) to combine side rail to (2) and (3) as shown (STEP 6.1).
Insert 4pcs (A) to combine side rail to (4) as shown (STEP 6.2).



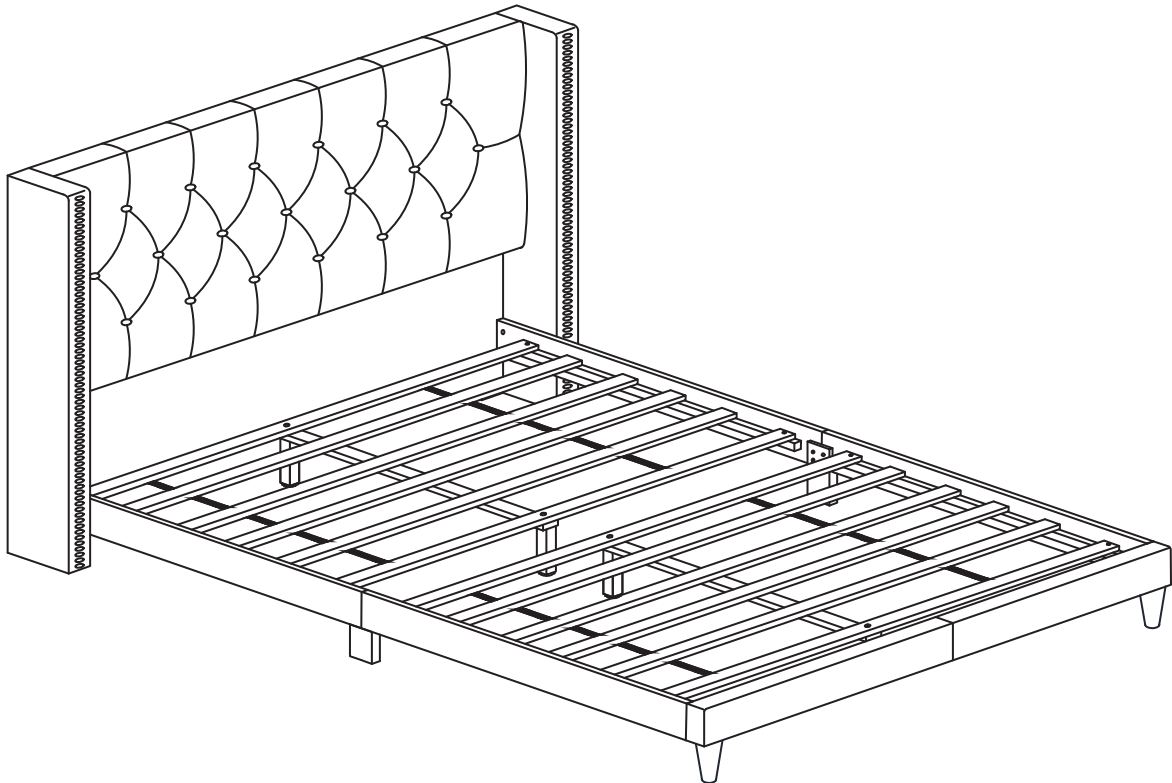
ASSEMBLY INSTRUCTION

STEP 7

Put the slat to the inside of bed frame , then insert 8pcs (H) to tighten the slat.



STEP 8



ASSEMBLY COMPLETED