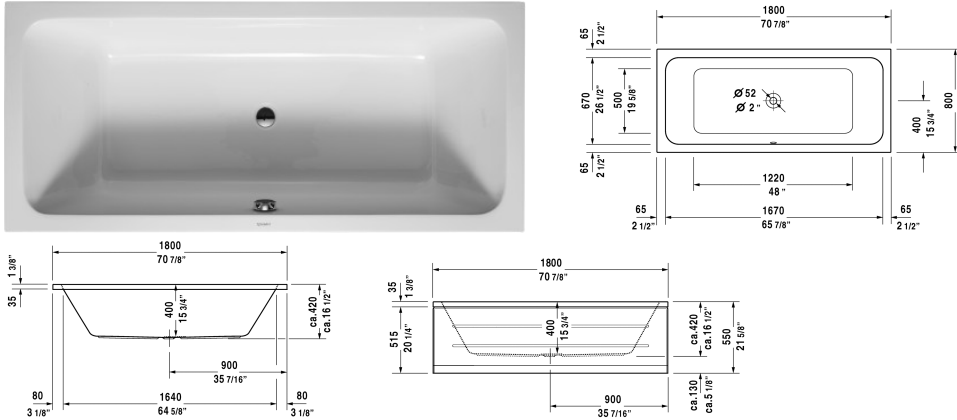


**Bathtub # 700101000000090 / 700101000000092 /  
710101001001090 / 710101002001090 / 710101002501090 /  
710101002511090**

| < 70 7/8" Inch > |



Bathtub	Dimension	Weight	Order number
rectangle, built-in, with two backrest slopes, central outlet, cUPC listed, 1/4" sanitary acrylic			
<b>Colors</b>			
00 White			
<b>Variant</b>			
Base tub	70 7/8" x 31 1/2" Inch	52 lb	700101000000090
Base tub	70 7/8" x 31 1/2" Inch	52 lb	700101000000092
Air-System	70 7/8" x 31 1/2" Inch	52 lb	710101001001090
Jet-System	70 7/8" x 31 1/2" Inch	52 lb	710101002001090
Jet-System with heater	70 7/8" x 31 1/2" Inch	52 lb	710101002501090
Jet-System with heater and ozone	70 7/8" x 31 1/2" Inch	52 lb	710101002511090
<b>Accessory for bath- and whirltub</b>			
Bathtub anchors for mounting and support of D-Code bathtubs and shower trays, 3 pieces			790125
Tile flange			790112
Support frame (included)			790133
Cable-driven waste and overflow for central outlet			790252
<b>Suitable tub covers</b>			
Tub cover, 2 pcs. 31 1/2" x 17 3/4"			791828
Tub cover with cut-out for hand shower tube, 2 pcs. 31 1/2" x 17 3/4"			791829

**Bathtub #** 700101000000090 / 700101000000092 /  
710101001001090 / 710101002001090 / 710101002501090 /  
710101002511090

---

|< 70 7/8" Inch >|

*binding. Exact measurements, in particular for customized installation scenarios, can only be taken from the finished ceramic piece.*