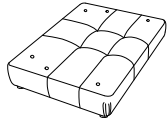
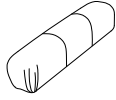


PET BED ASSEMBLY INSTRUCTION (TOTAL 1 BOX)



A x 1 pc



B x 1 pc



C x 2 pcs



D x 6 pcs (M8)



E x 6 pcs (M8)



F x 6 pcs (M8x75mm)



G x 6 pcs (M8x25mm)

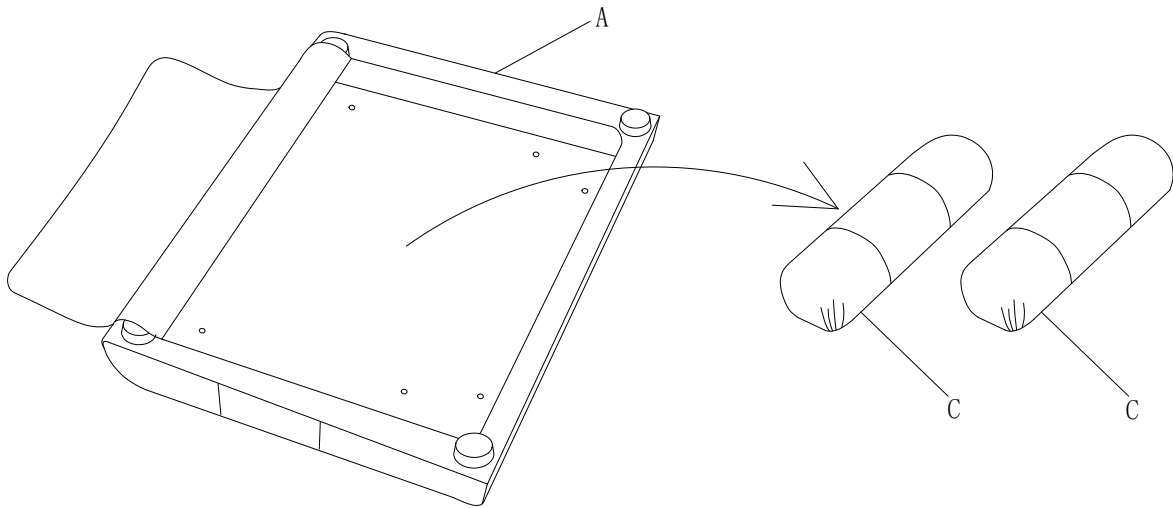


H x 1 pc (6mm)

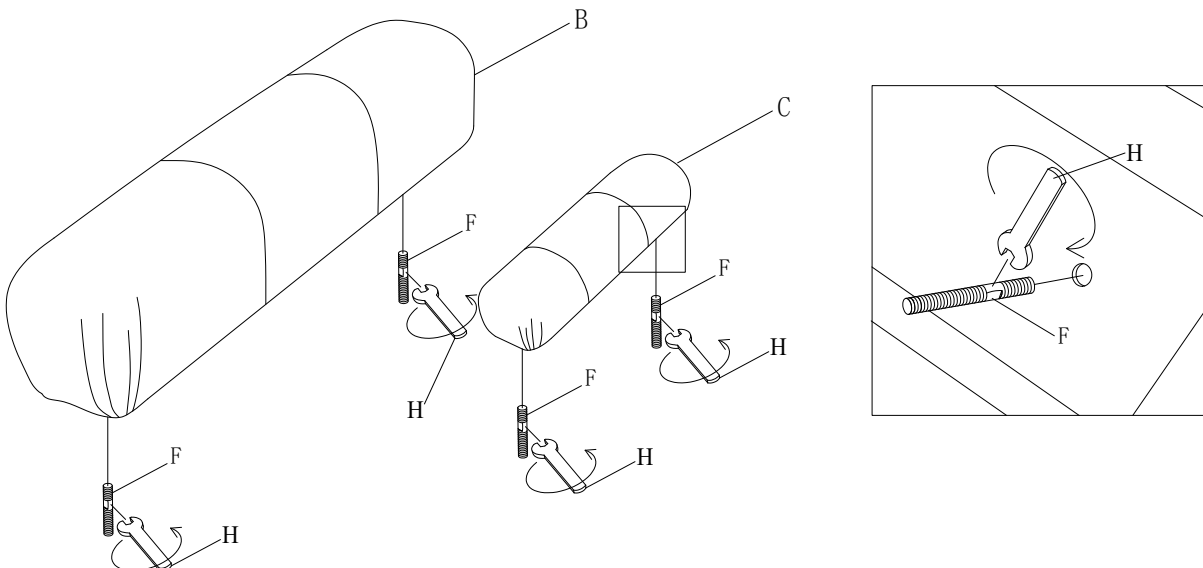


I x 1 pc (14mm)

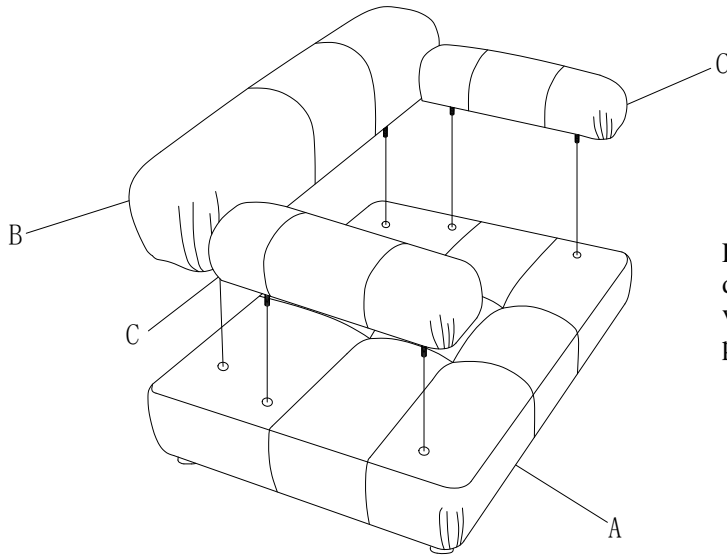
1



2

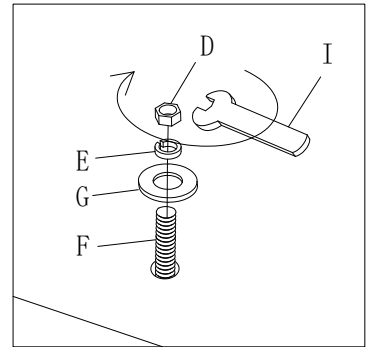
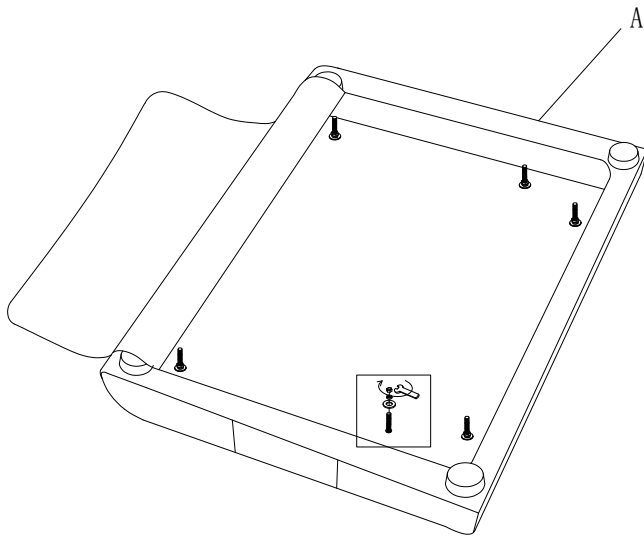


3

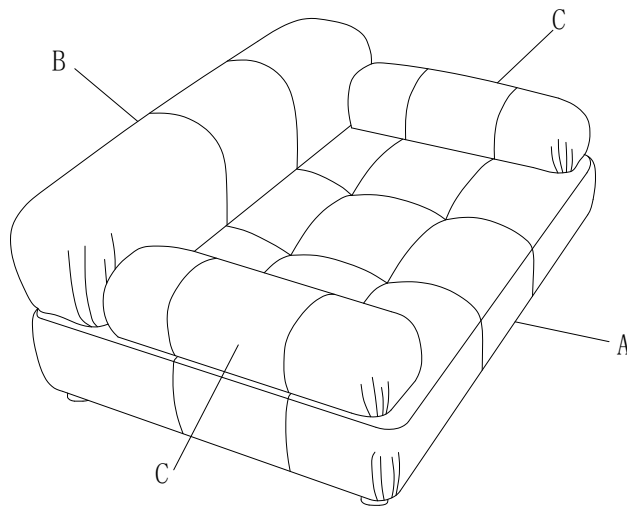


Flip the armrests/backrest so the direction of the pile of the fabric (for velvet only) matches the direction of the pile on the seat base.

4



5



Thank you for your purchase