

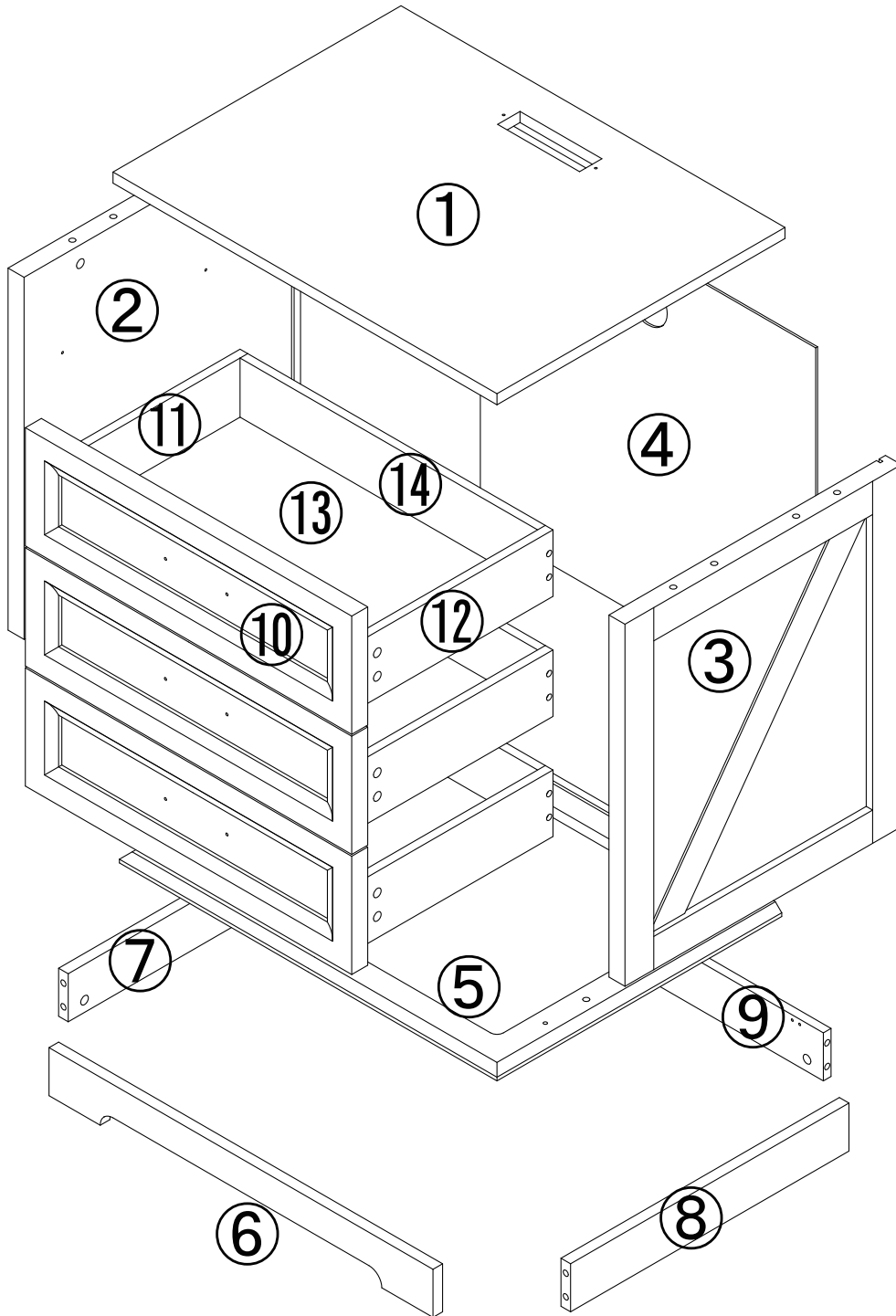
**BESIDE TABLE**

---

**USER MANUAL**

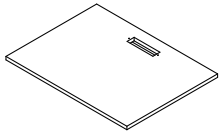
1

# ASSEMBLY INSTRUCTIONS

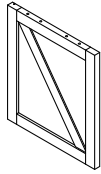


2

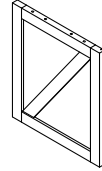
## PACKAGING LIST



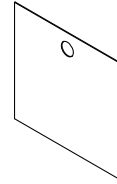
①x1



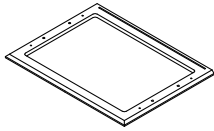
②x1



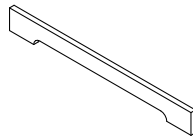
③x1



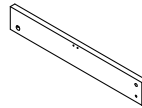
④x1



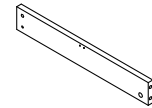
⑤x1



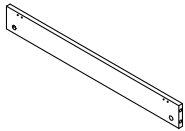
⑥x1



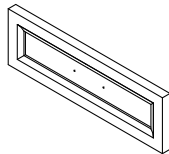
⑦x1



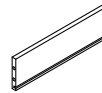
⑧x1



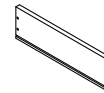
⑨x1



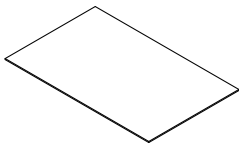
⑩x3



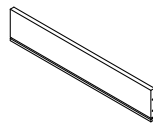
⑪x3



⑫x3







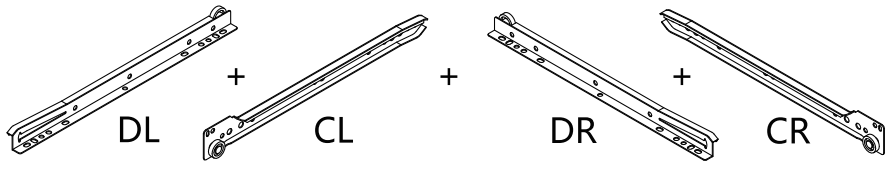
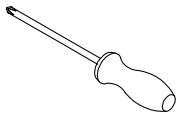
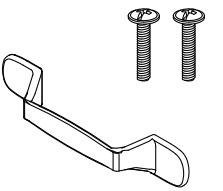
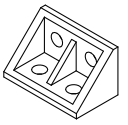
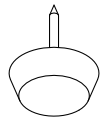


⑬x3



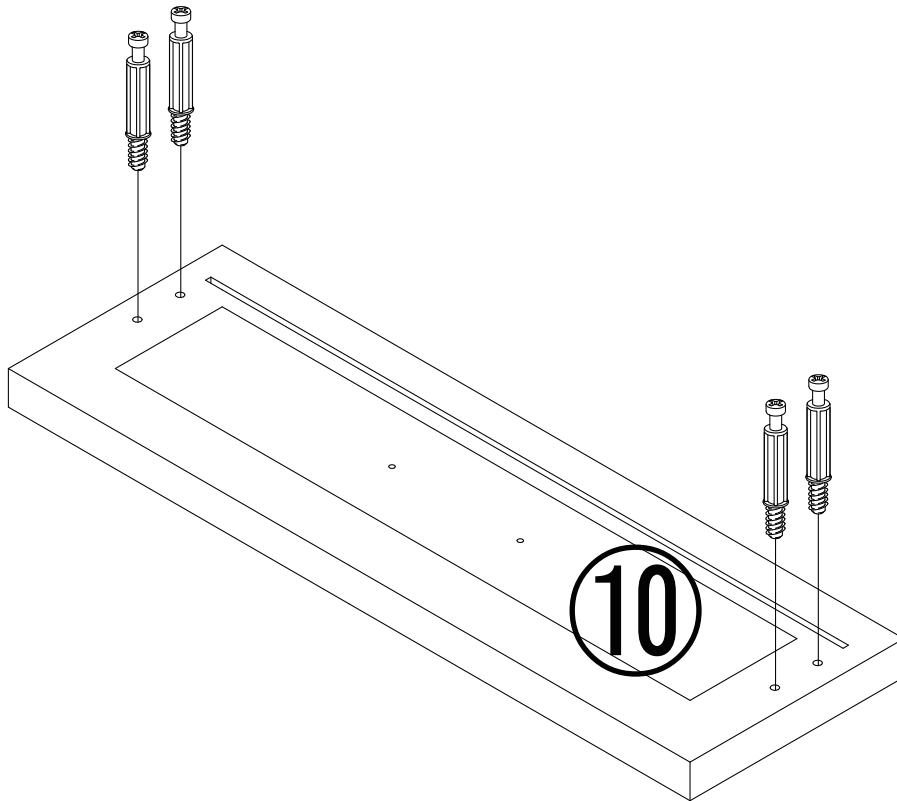
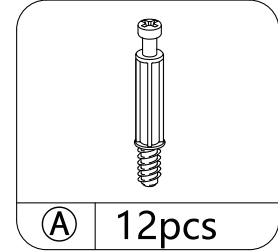
⑭x3

# PACKAGING LIST

 <p>(A) 20+2sets</p>	 <p>(B) 12+2pcs</p>	 <p>(C) 16+2pcs</p>	
<p>M3.5*12</p>  <p>(D) 56+4pcs</p>	<p>M3*15</p>  <p>(E) 4+2sets</p>		 <p>(F) 1pc</p>
 <p>(G) 3sets</p>			 <p>(H) 1pc</p>
 <p>(I) 3sets</p>	 <p>(J) 6pcs</p>	 <p>(K) 4pcs</p>	

4

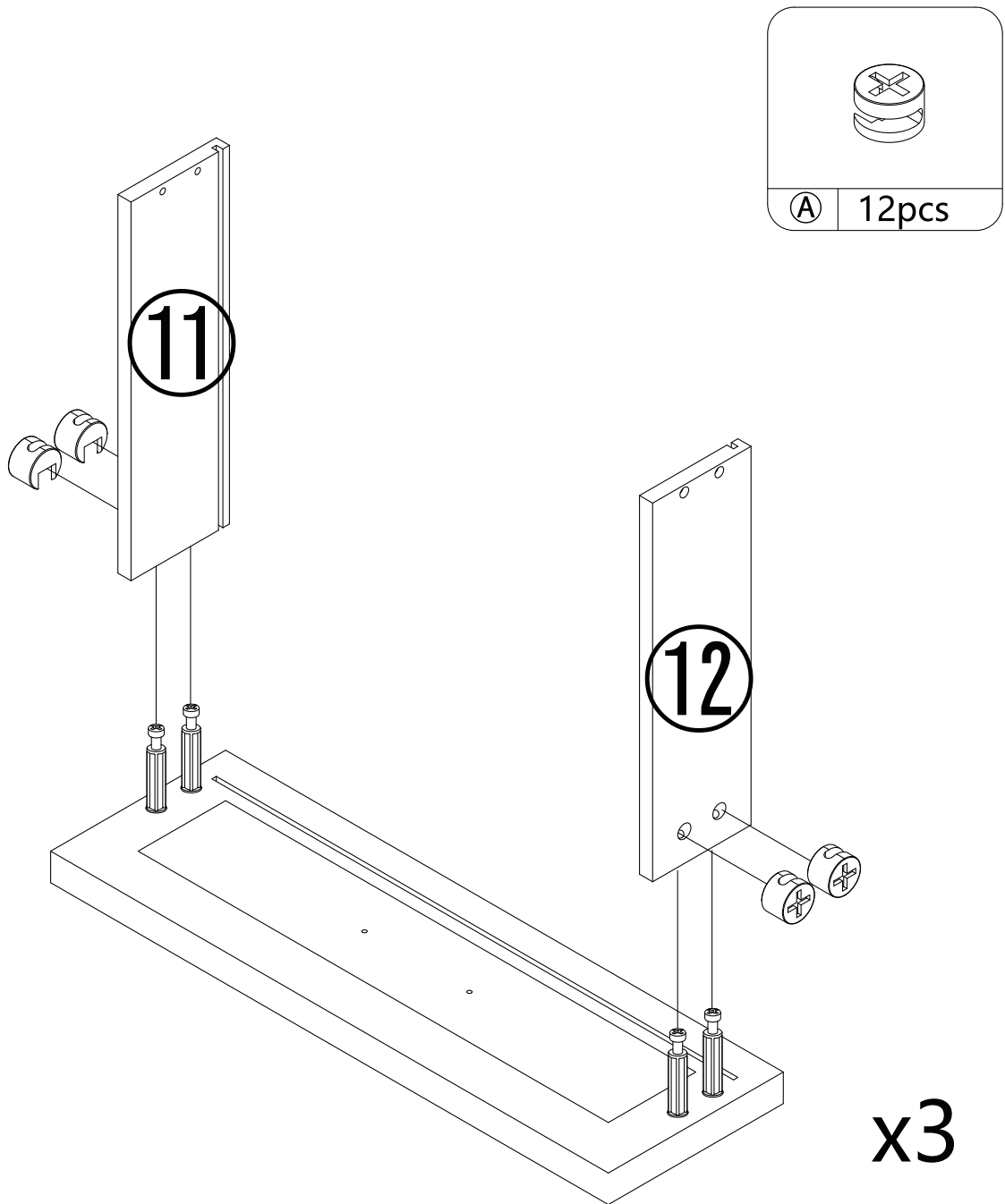
# STEP 1



x3

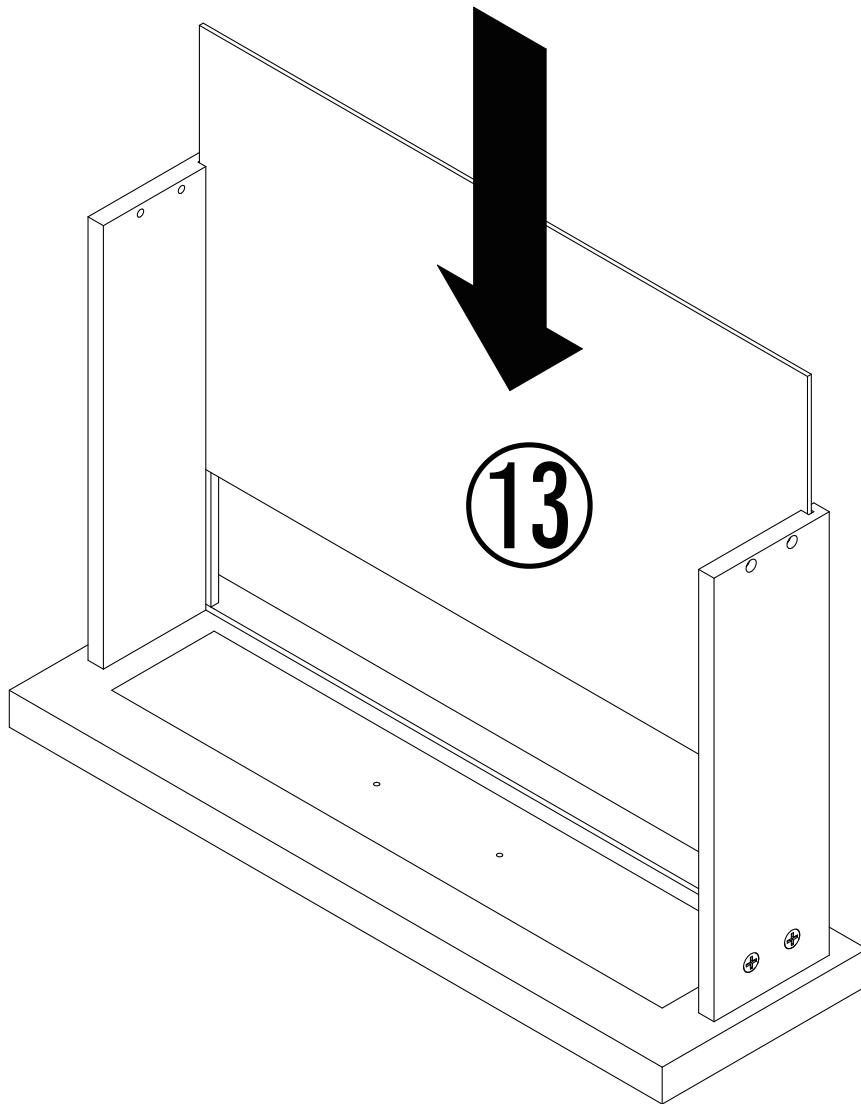
5

STEP 2



6

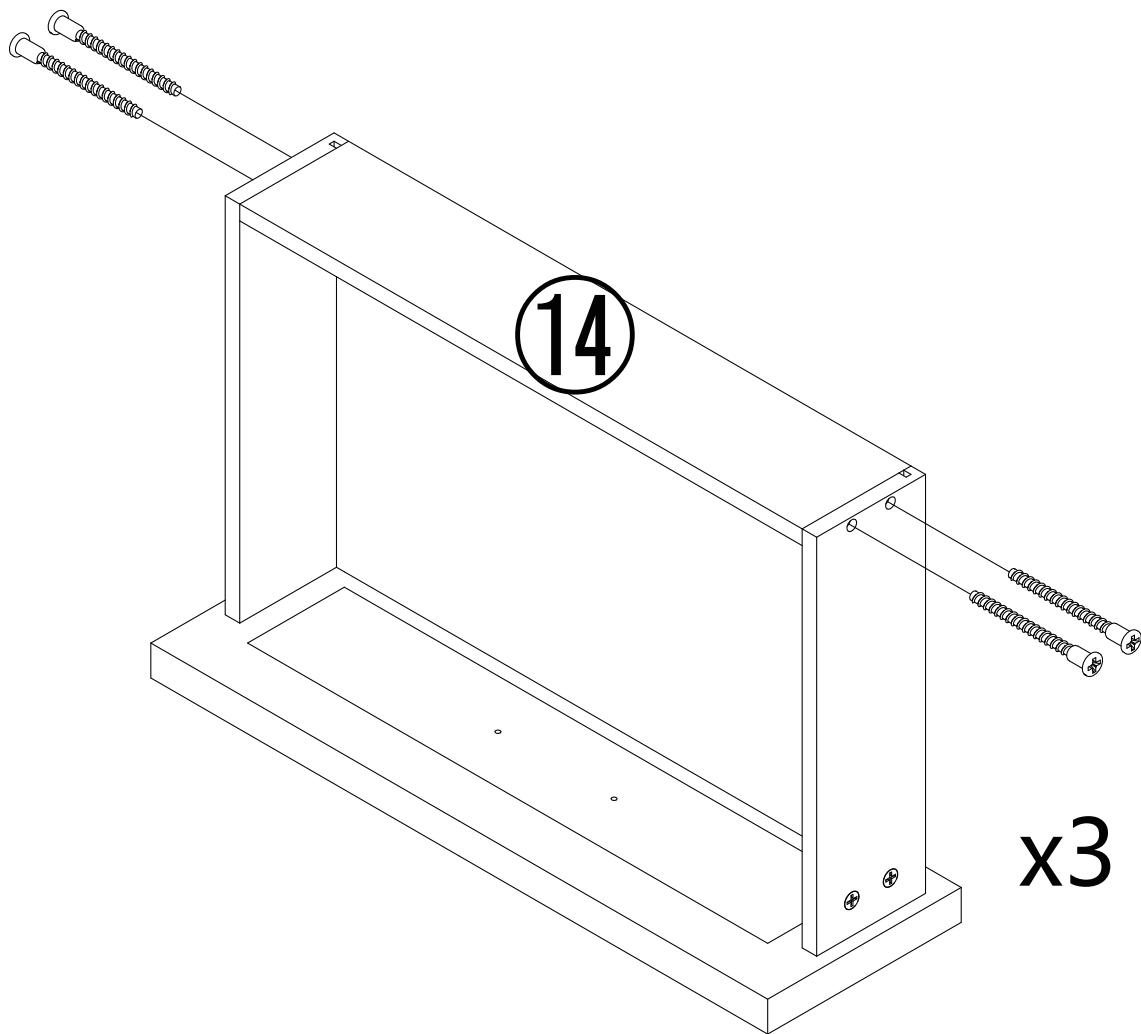
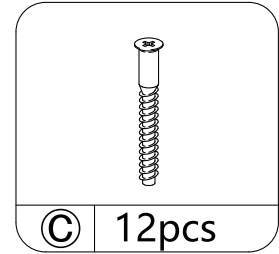
STEP 3



x3

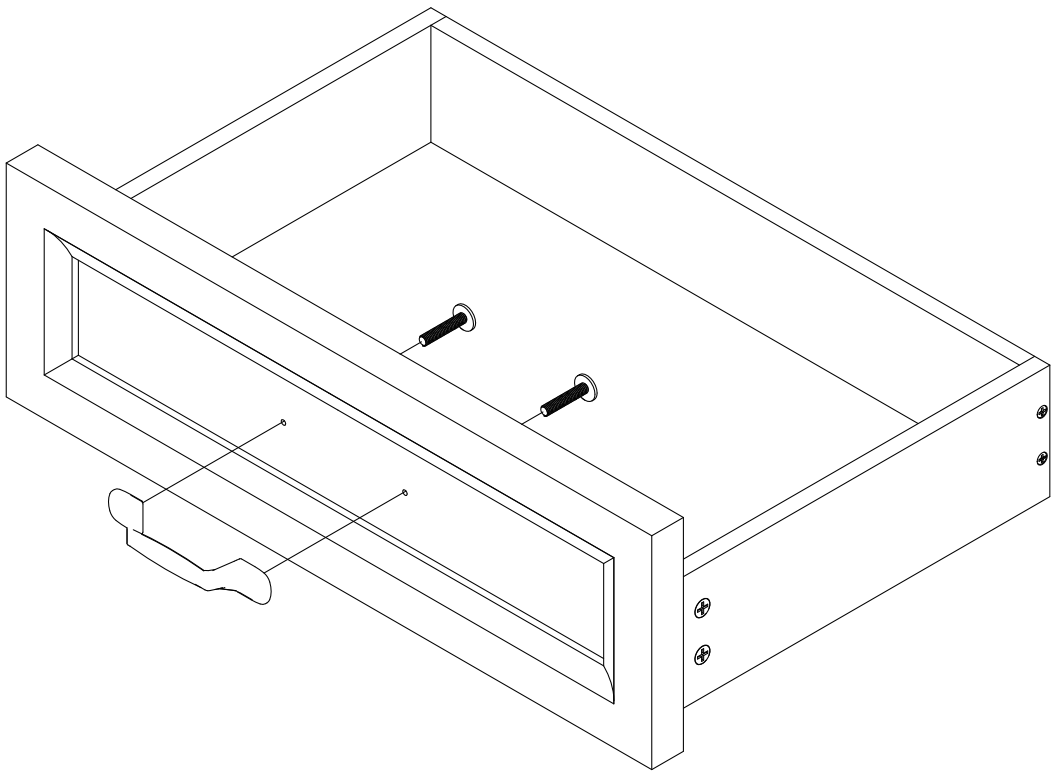
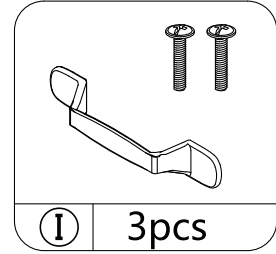
7

STEP 4



8

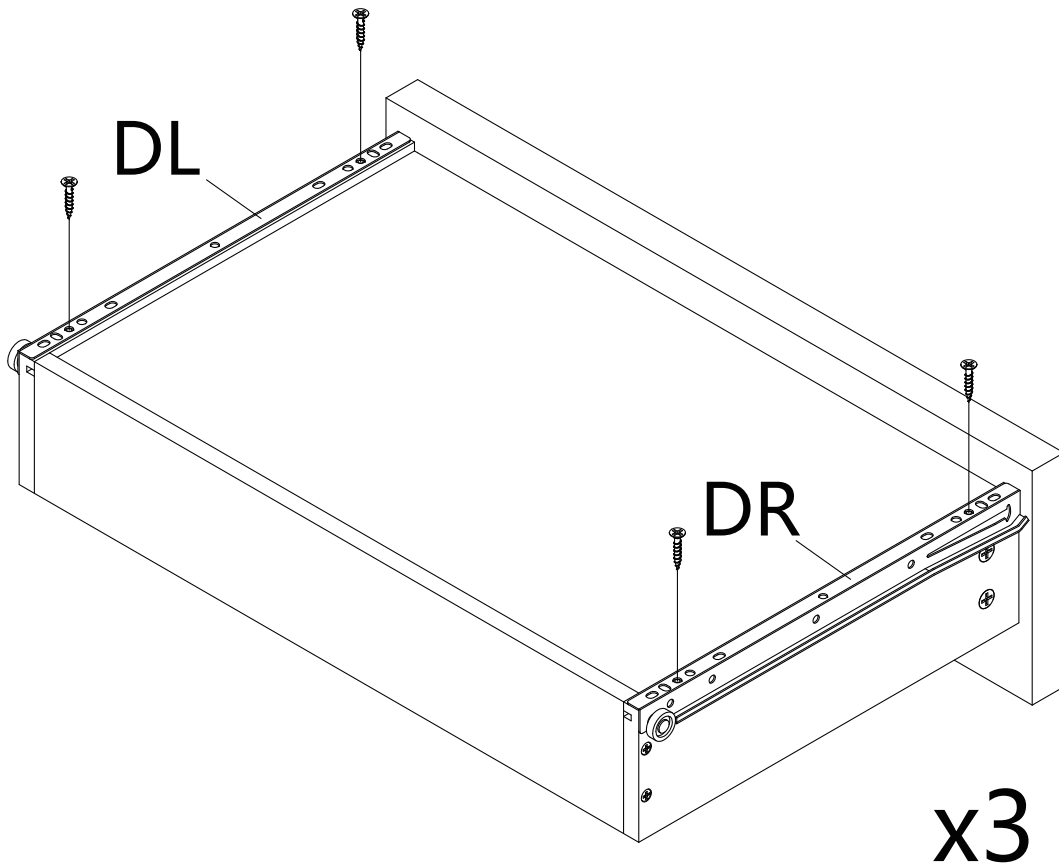
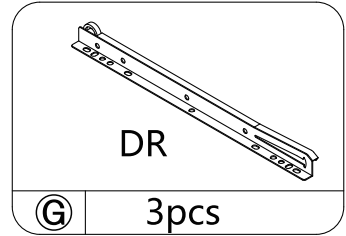
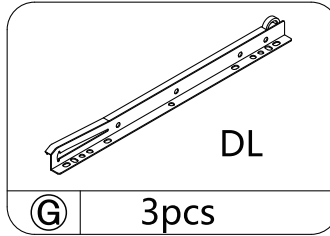
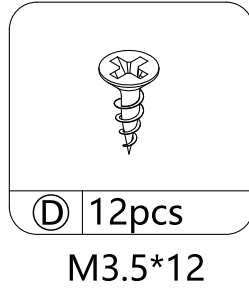
# STEP 5



x3

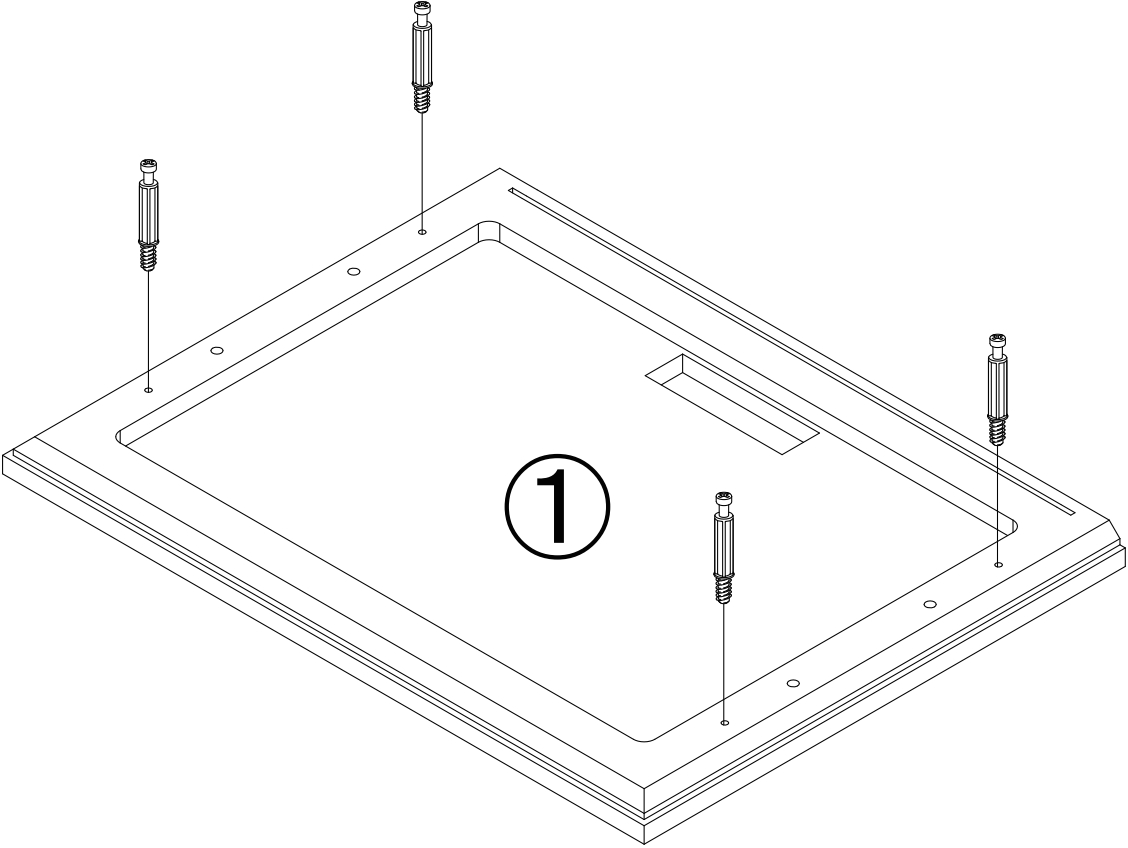
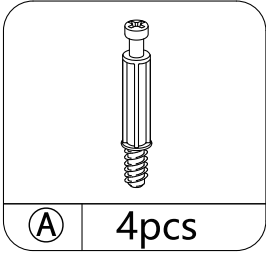
9

# STEP 6

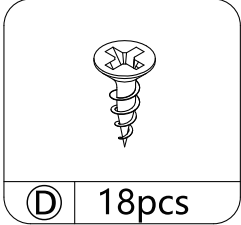


10

STEP 7

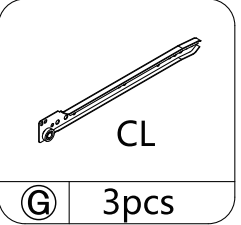


# STEP 8



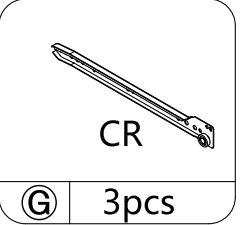
Ⓓ 18pcs

M3.5\*12



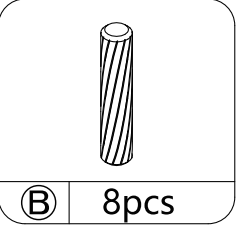
CL

Ⓖ 3pcs

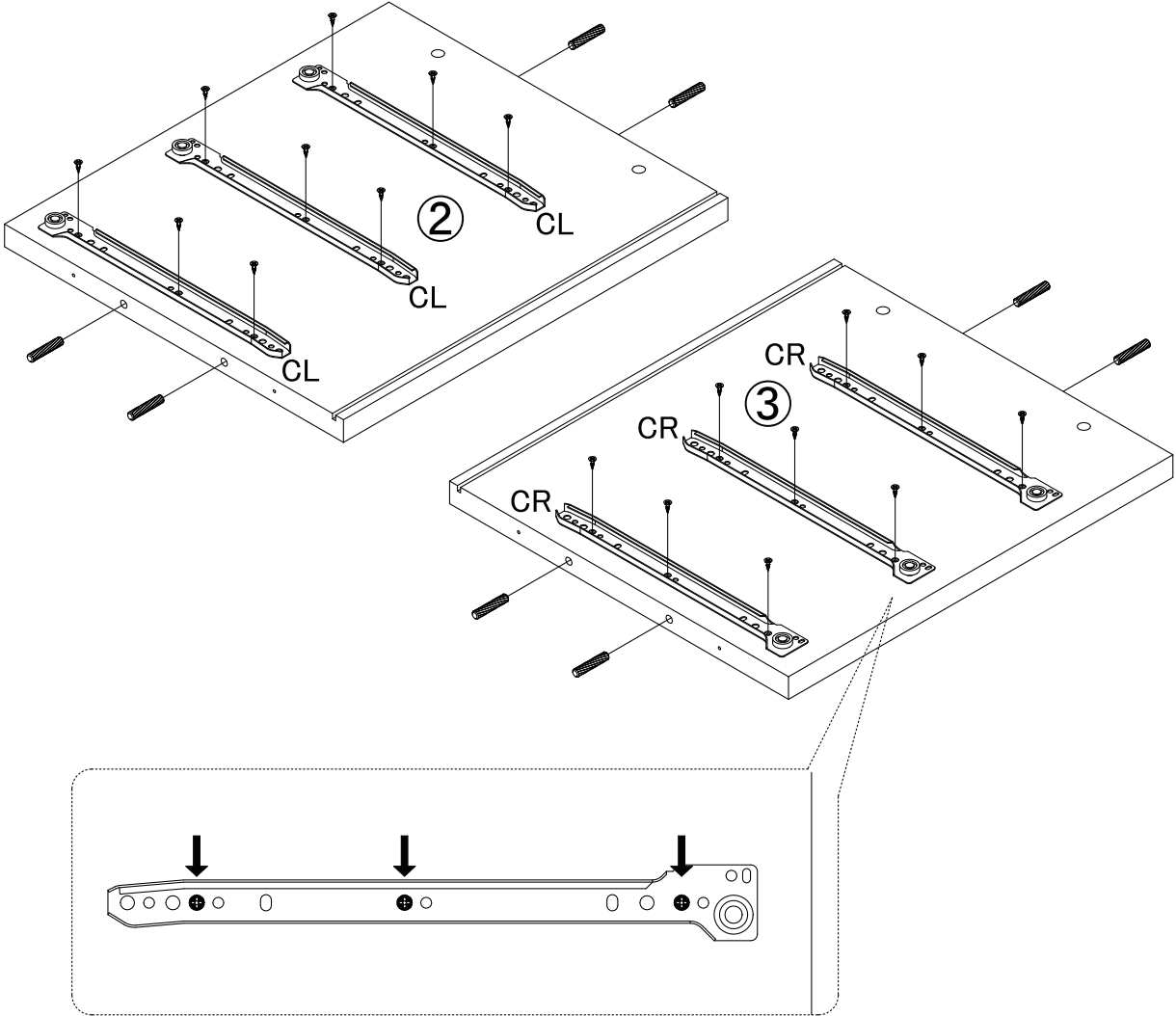


CR

Ⓖ 3pcs

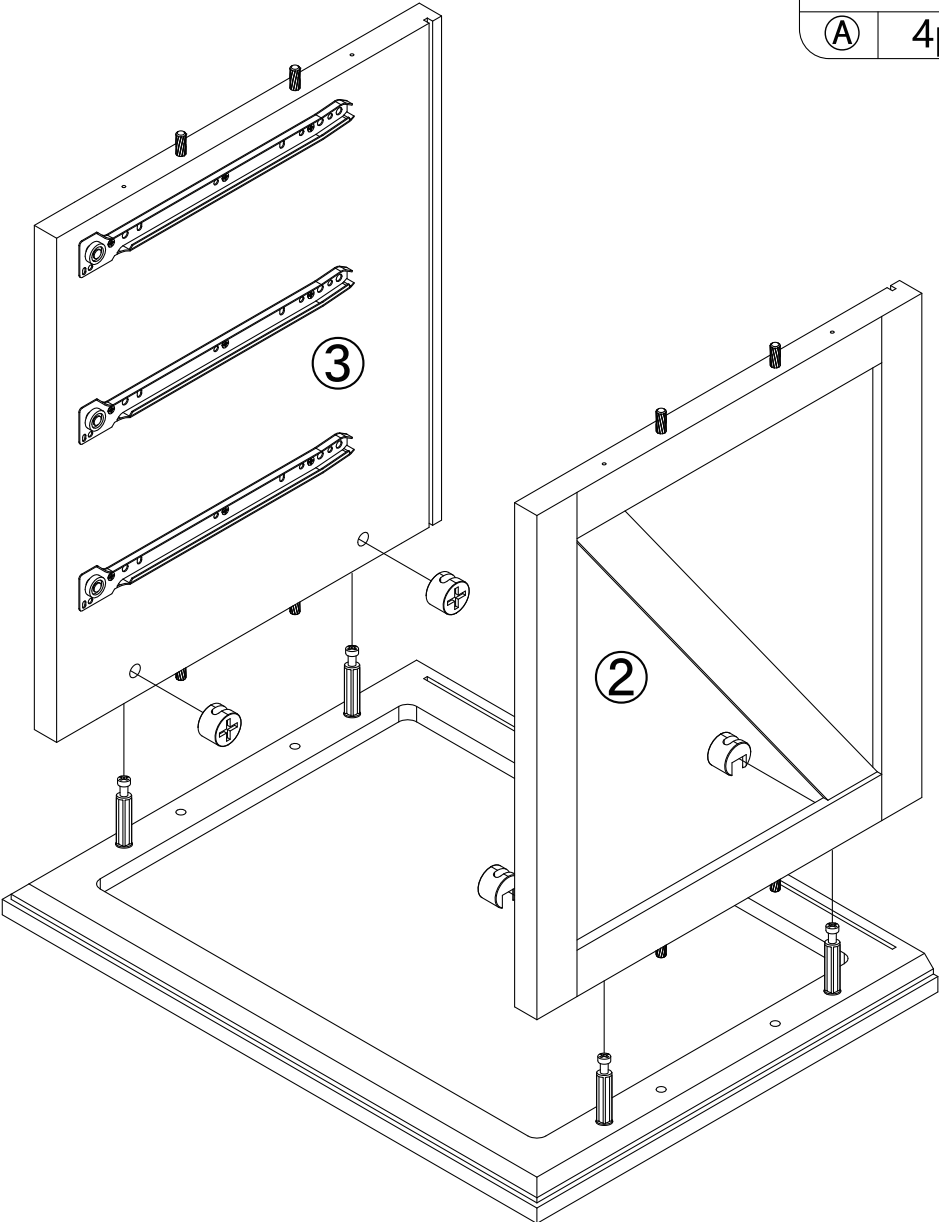
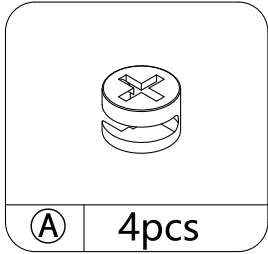


Ⓑ 8pcs



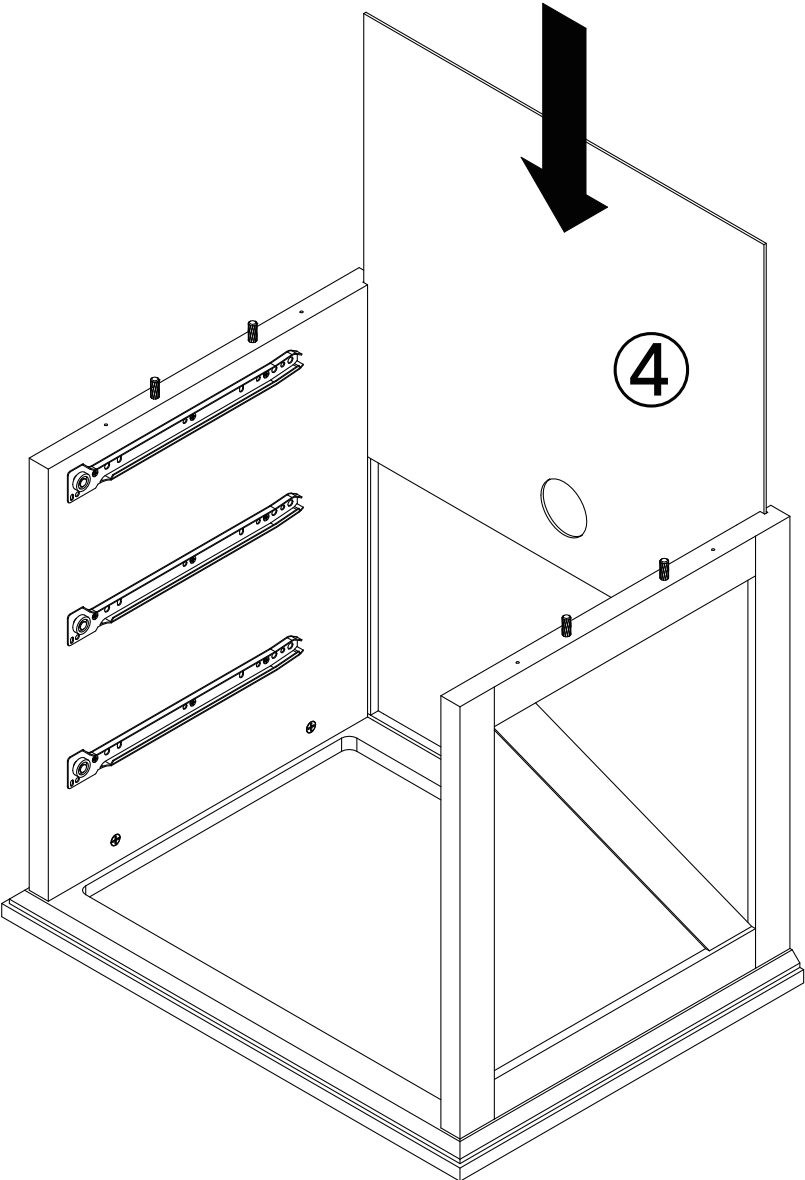
12

STEP 9



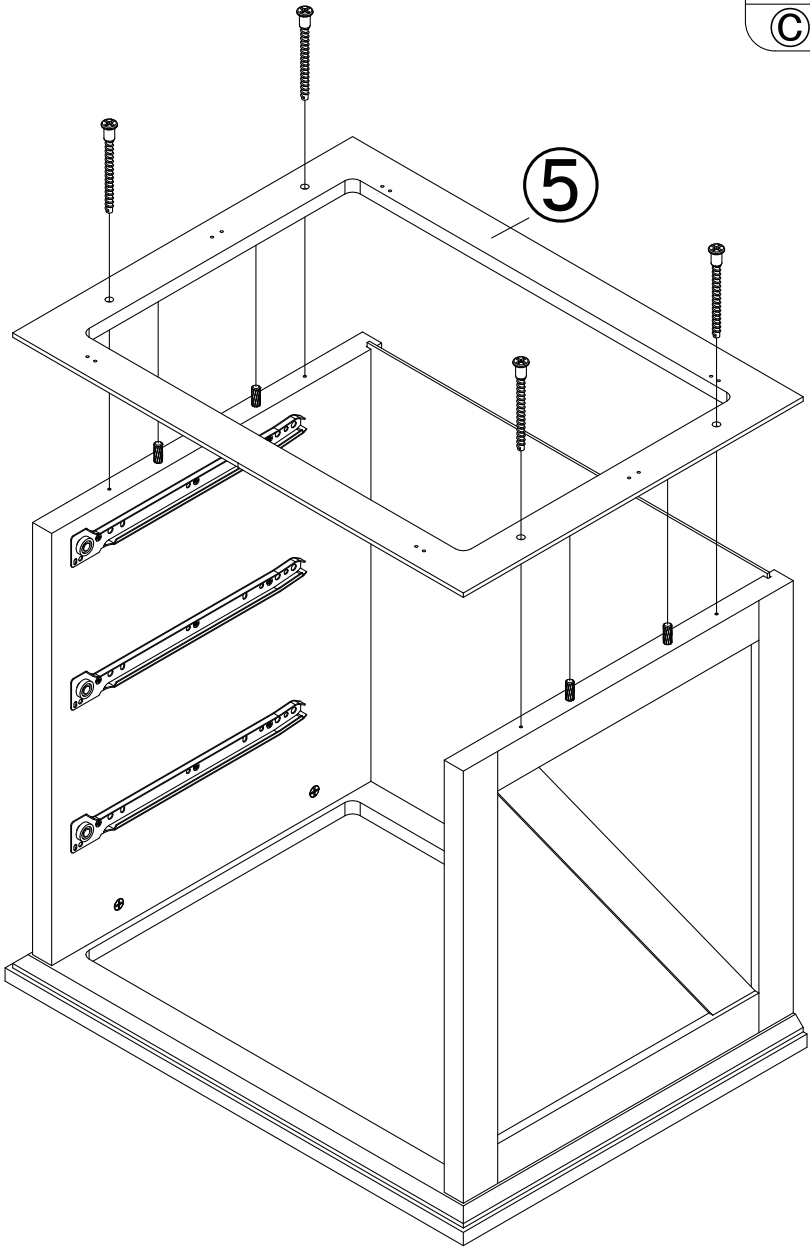
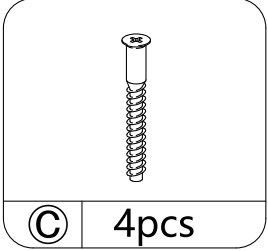
13

STEP 10



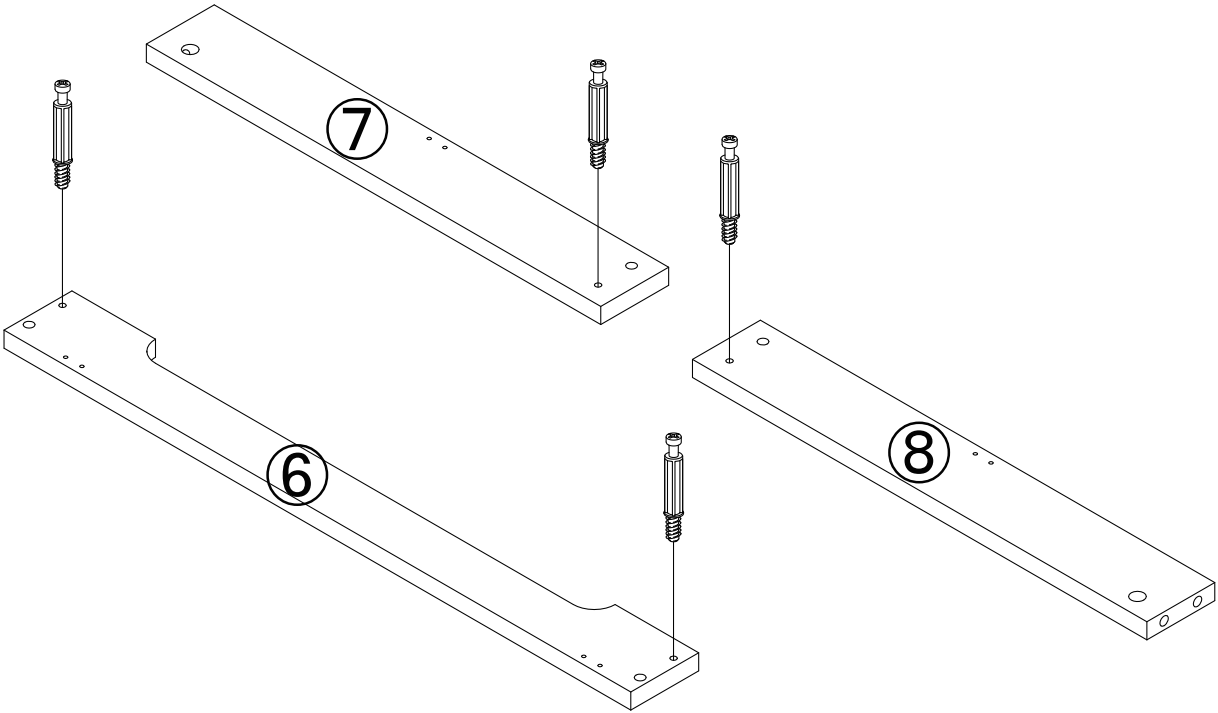
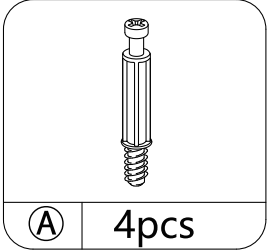
14

STEP 11



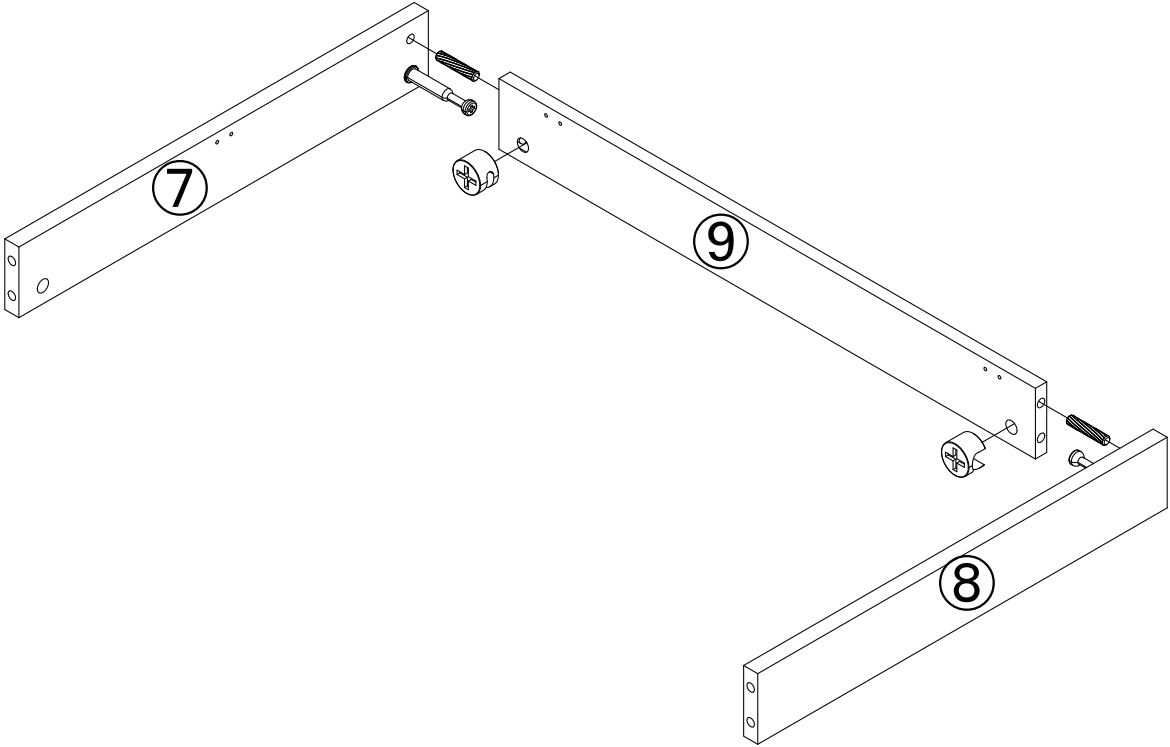
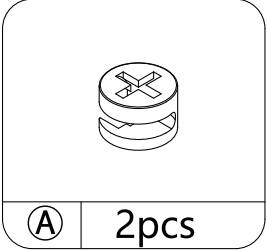
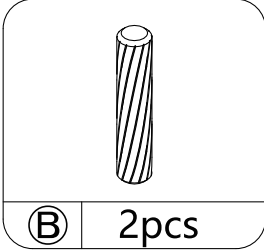
15

STEP 12



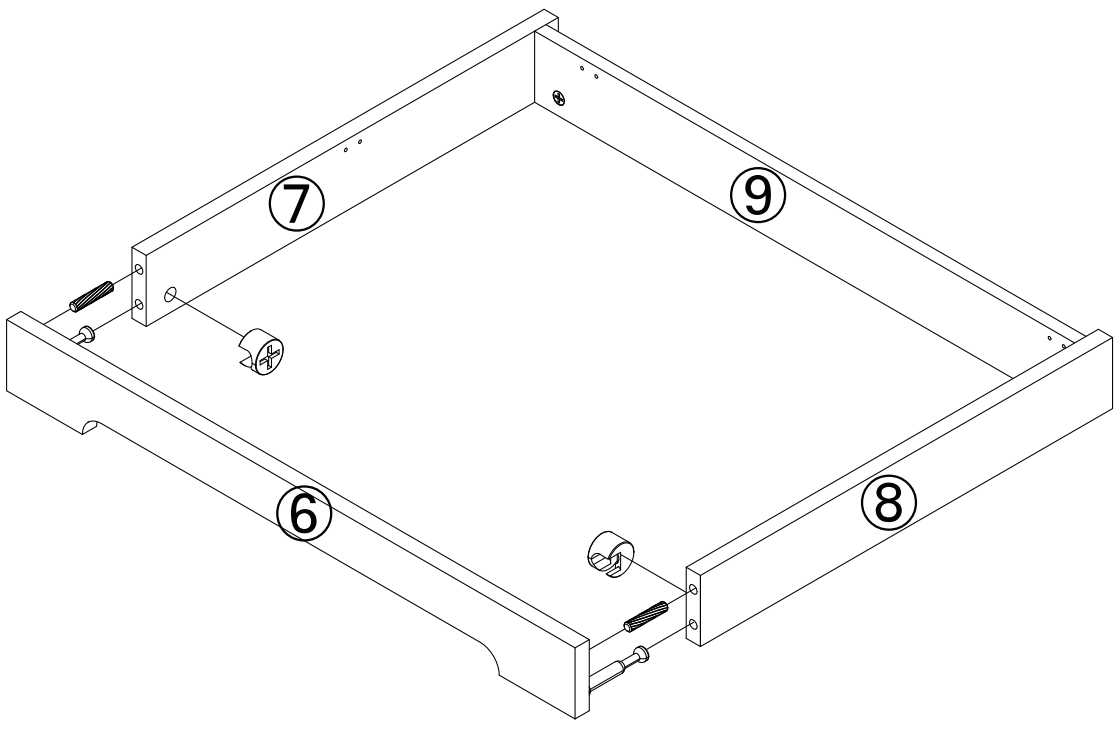
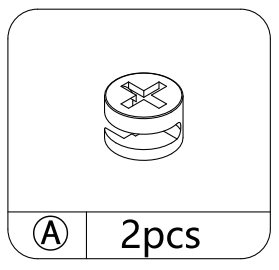
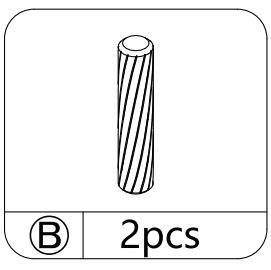
16

STEP 13

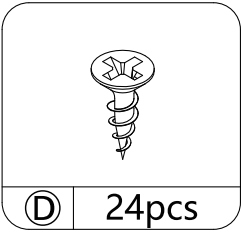
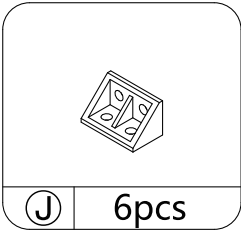


17

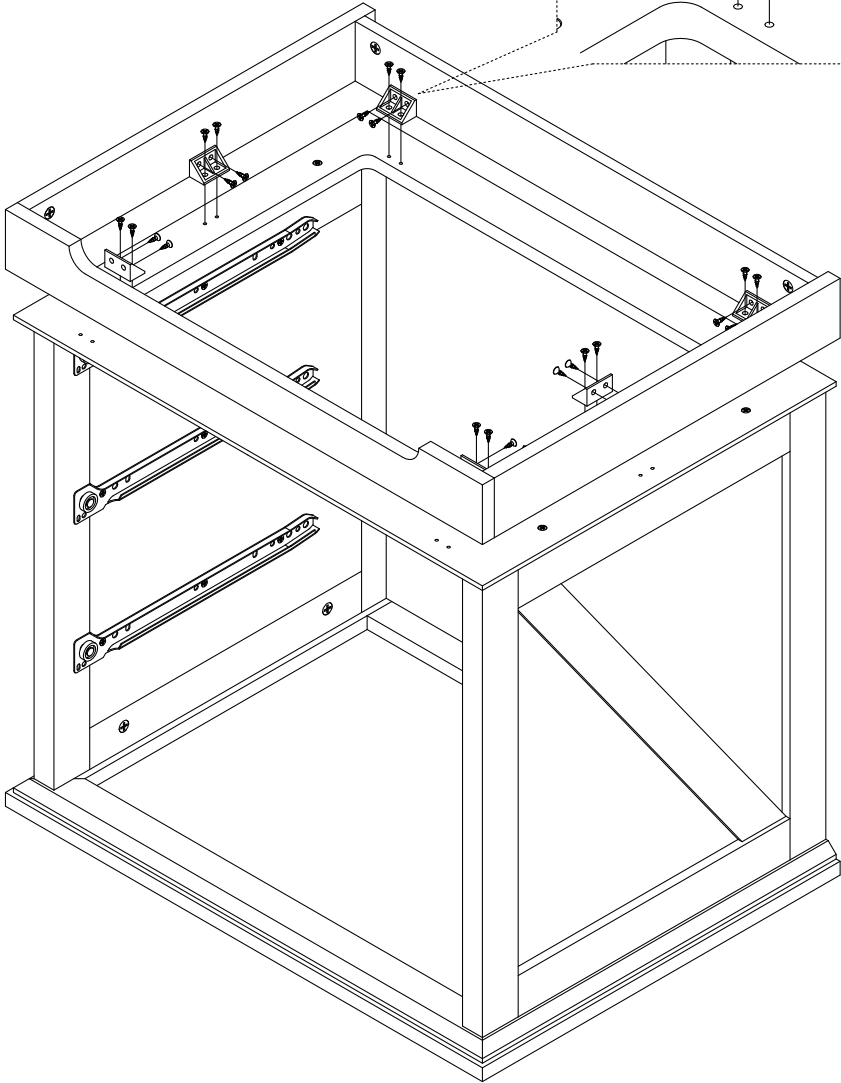
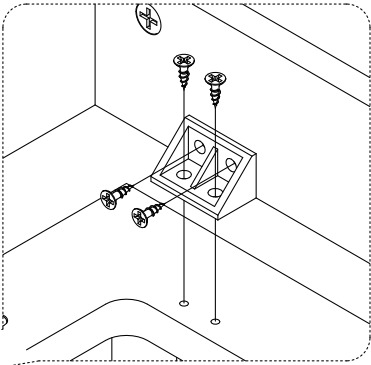
# STEP 14



# STEP 15

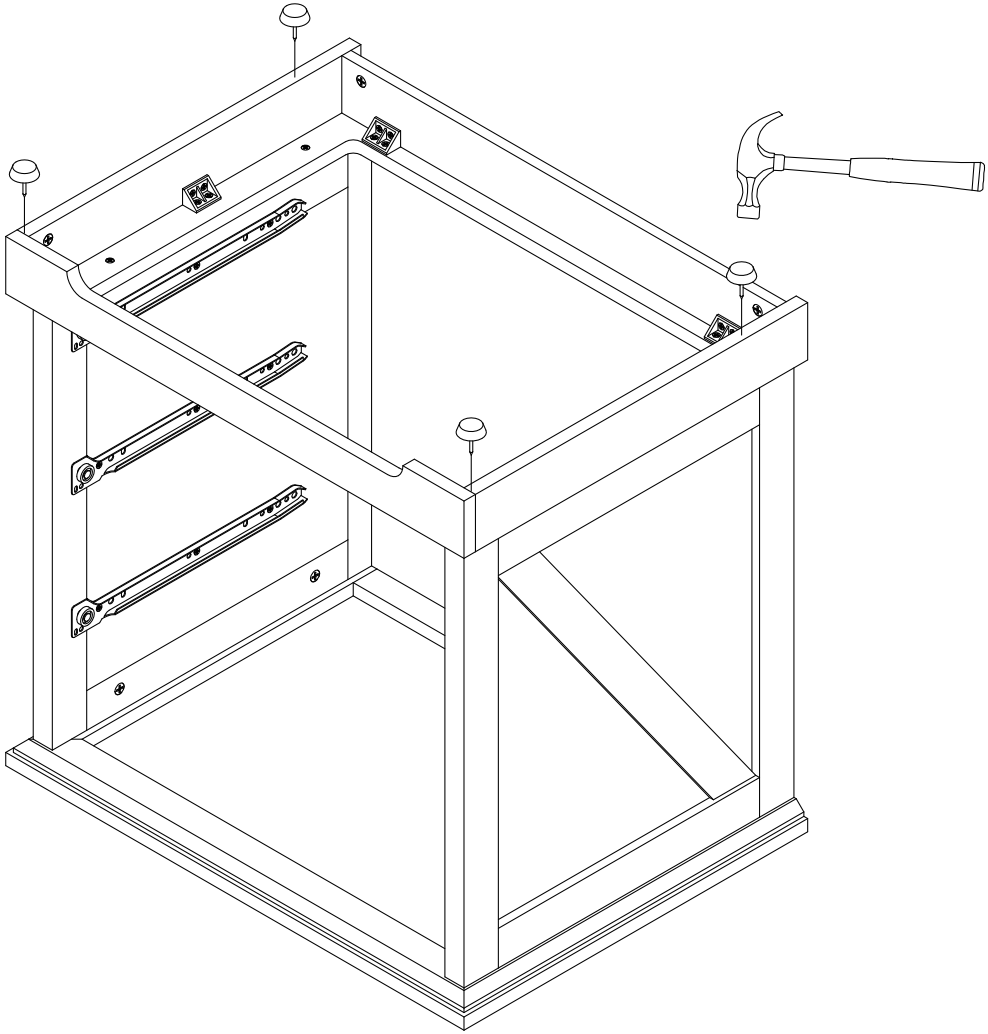
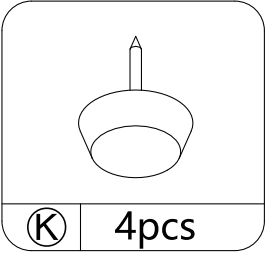


M3.5\*12



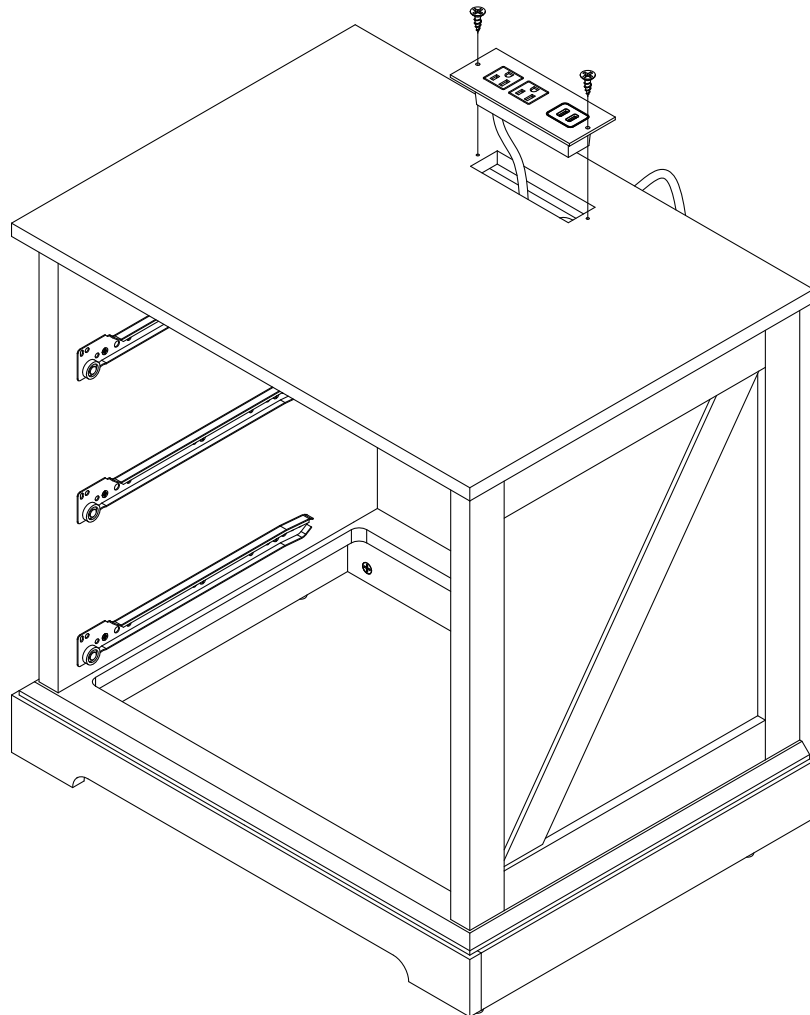
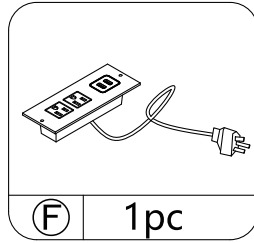
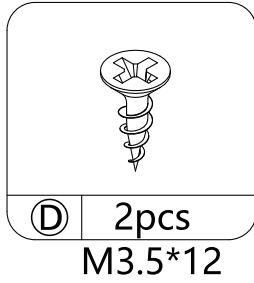
19

STEP 16



20

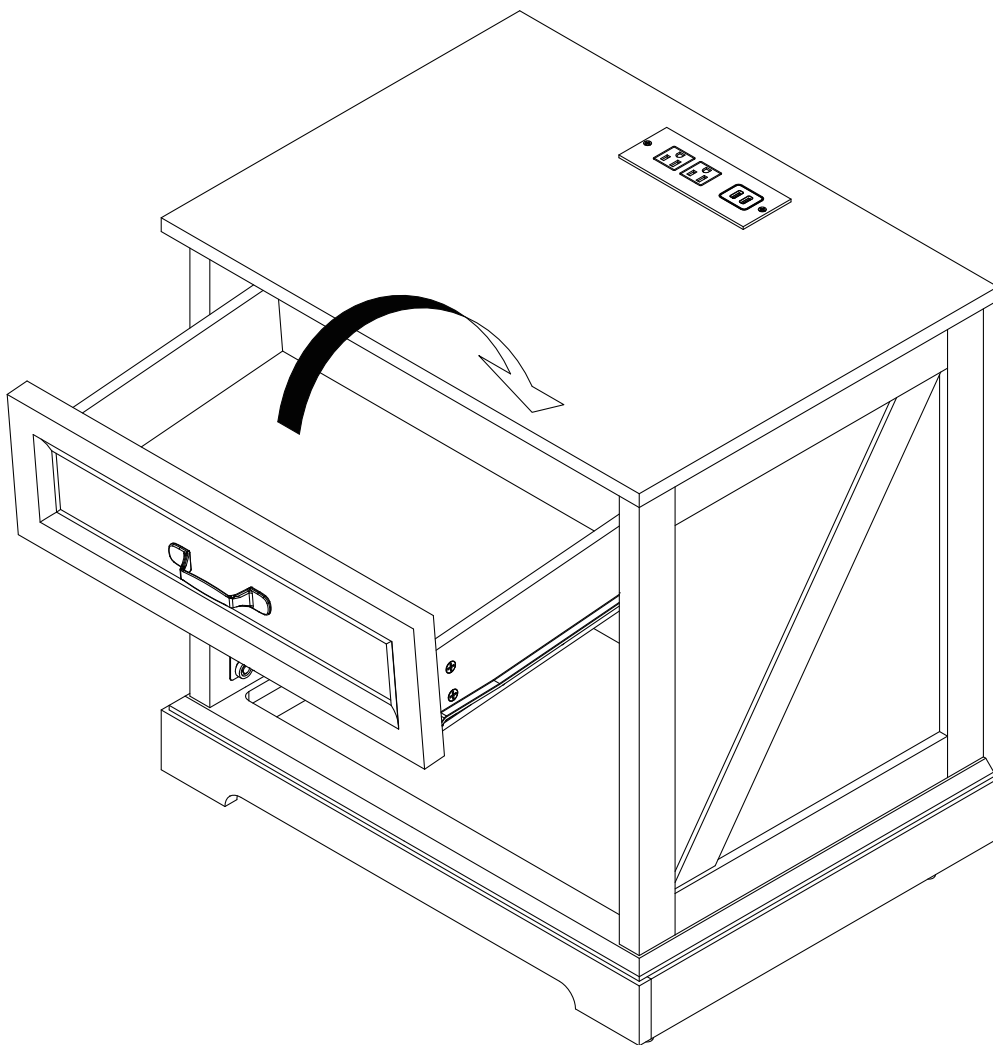
## STEP 17



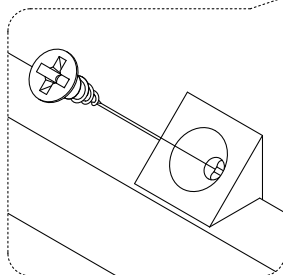
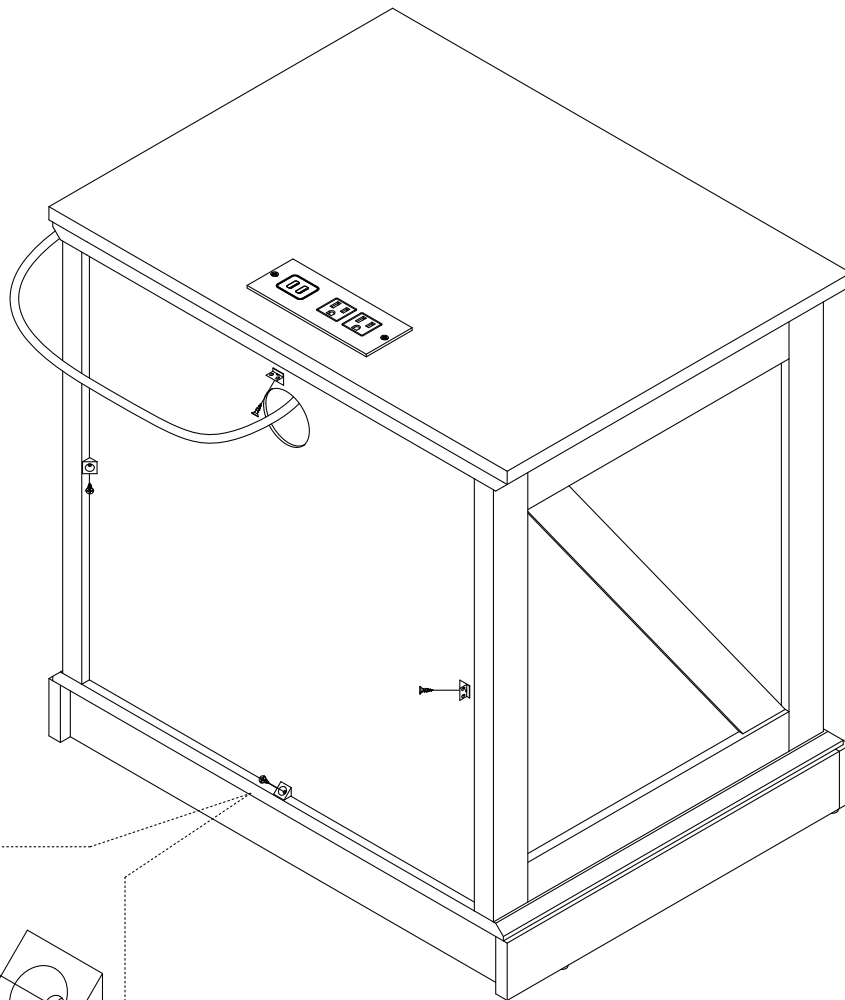
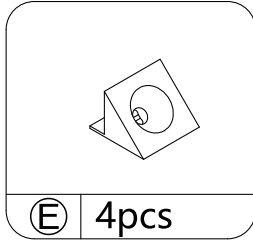
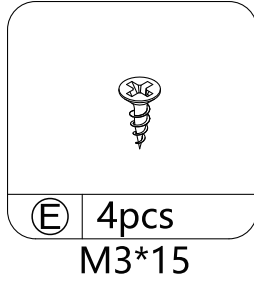
21

STEP 18

---



# STEP 19



### **FCC Regulatory Compliance**

This device complies with part 15 of the FCC Rules. Operation is subject to the following two conditions:

(1) This device may not cause harmful interference, and (2) this device must accept any interference received, including interference that may cause undesired operation.

**Warning:** Changes or modifications not expressly approved by the party responsible for compliance could void the user's authority to operate the equipment.

**Note:** This equipment has been tested and found to comply with the limits for a Class B digital device, pursuant to Part 15 of the FCC Rules.

These limits are designed to provide reasonable protection against harmful interference in a residential installation. This equipment generates, uses and can radiate radio frequency energy and, if not installed and used in accordance with the instructions, may cause harmful interference to radio communications.

However, there is no guarantee that interference will not occur in a particular installation.

If this equipment does cause harmful interference to radio or television reception, which can be determined by turning the equipment off and on, the user is encouraged to try to correct the interference by one or more of the following measures:

- Reorient or relocate the receiving antenna.
- Increase the separation between the equipment and receiver.
- Connect the equipment into an outlet on a circuit different from that to which the receiver is connected.
- Consult the dealer or an experienced radio/TV technician for help.

---

Made in China