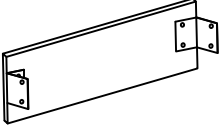
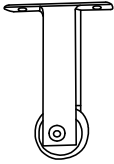
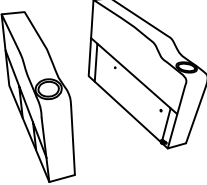
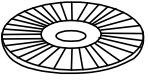
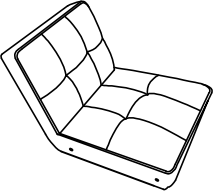
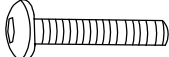
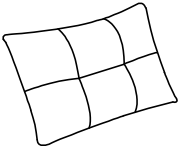

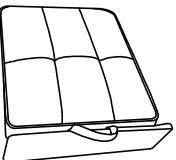


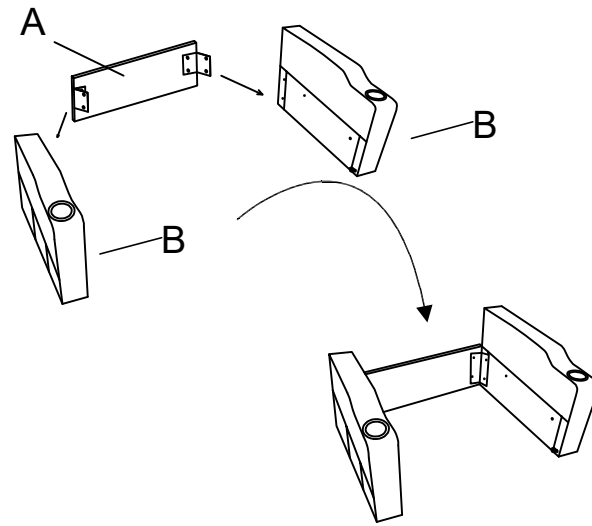


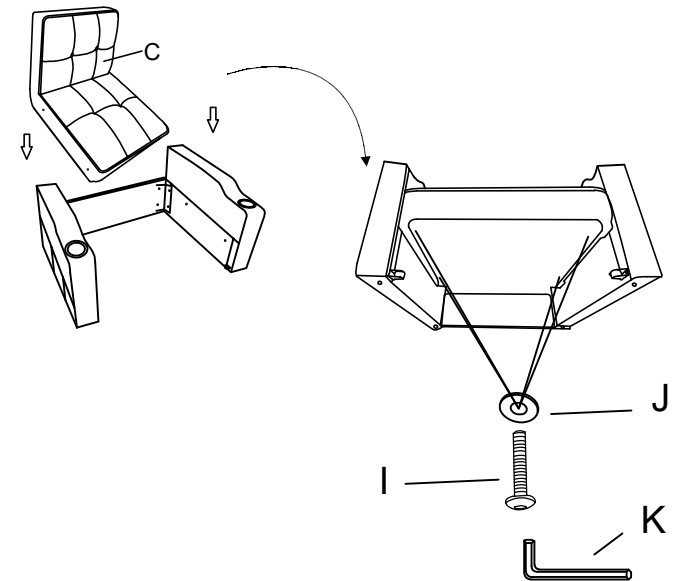
Assembly Instructions

<p>Ax1</p> 	<p>Gx4</p> 
<p>Bx2</p> 	<p>Hx4</p> 
<p>Cx1</p> 	<p>Ix12</p>  <p>M6*50mm</p>
<p>Dx1</p> 	<p>Jx4</p>  <p>φ22mm</p>
<p>Ex1</p> 	<p>Kx1</p> 
<p>Fx4</p> 	

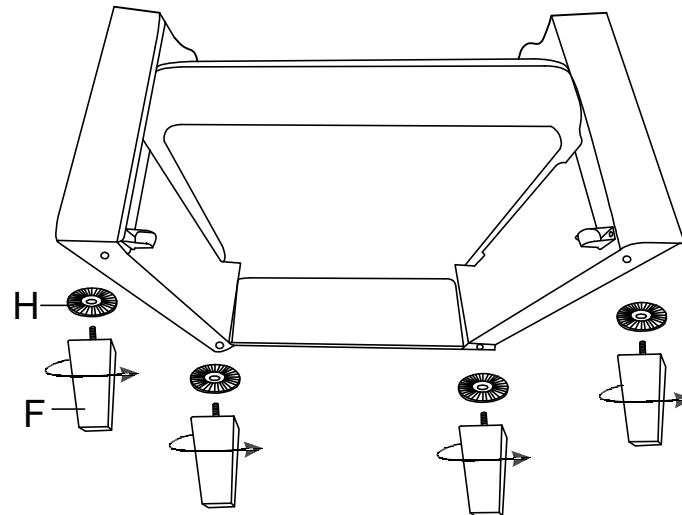
① First, unscrew the screws on the armrest. Align the iron plate holes on "A" with the holes of the just unscrewed screws. Then install the screws and tighten them.



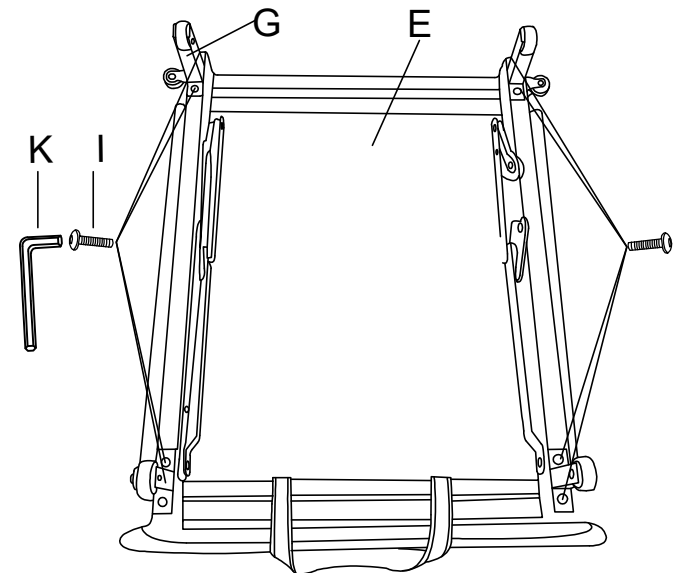
②



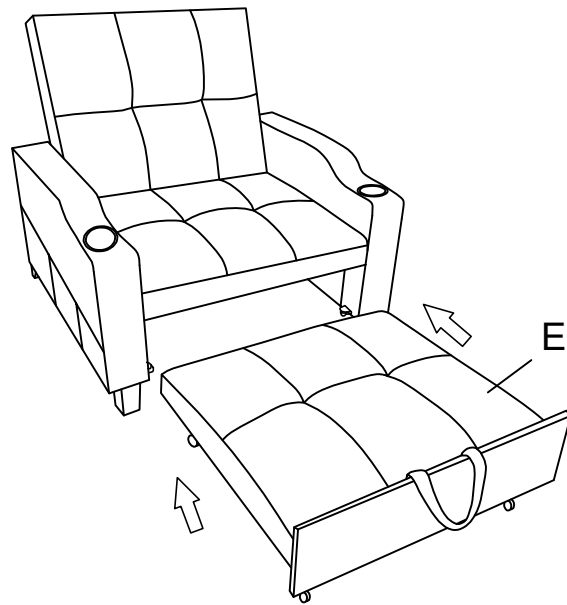
③



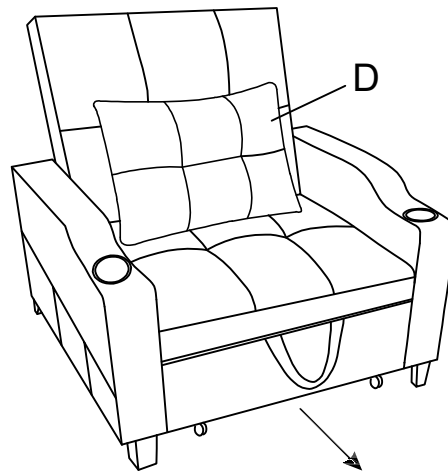
④



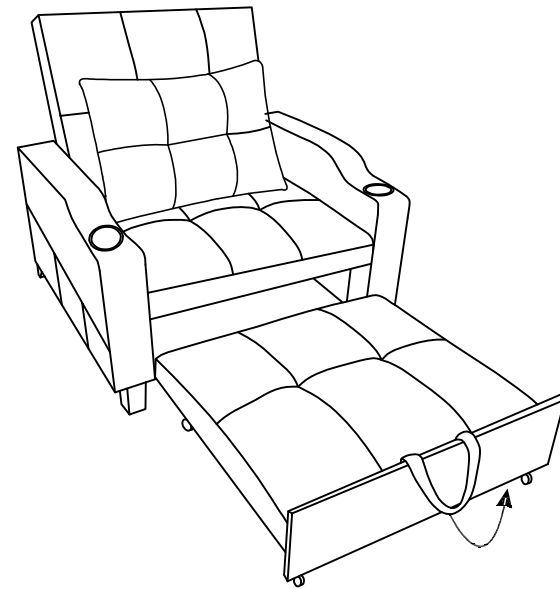
⑤



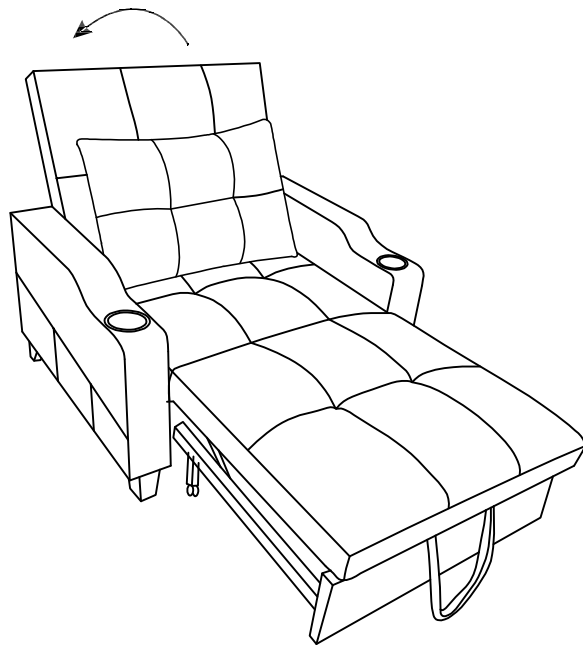
⑥



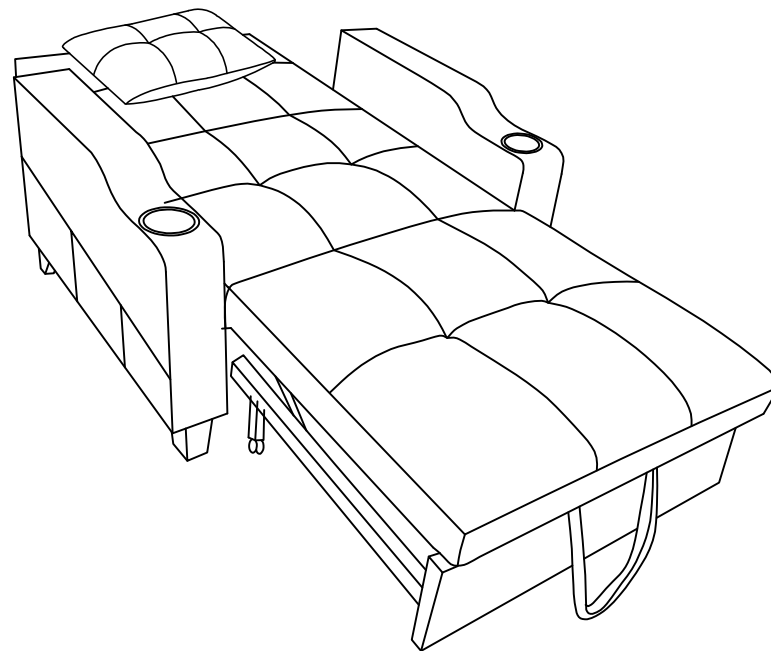
⑦



⑧



⑨



Please note: We provide fast after-sales service, don't worry if there is something wrong with the package you received. Please contact us first, we will reply you in time!