







ASSEMBLY INSTRUCTION





ITEM NO.: 21607-TABLE,SOFA

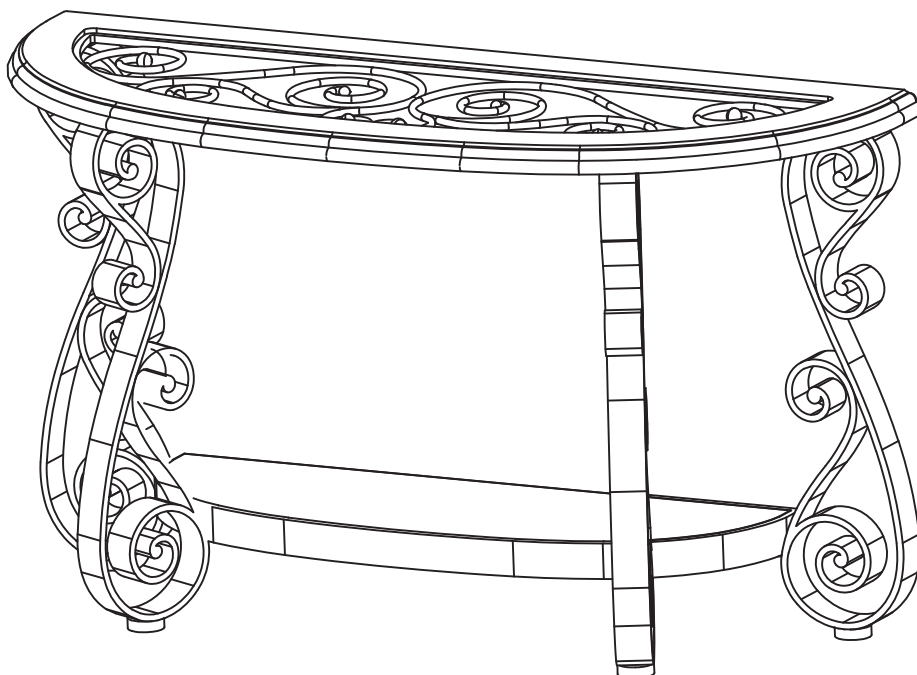
Read instructions carefully prior to assembly.

Thank you for purchasing this quality product. Check carefully for small parts which may come loose during shipment. Remove all components from pack and place top down on soft surface such as carpet or cloth to prevent scratching the finish. Identify and count all parts as specified below.

It is recommended to use two or more persons during the assembly process.





Parts List				
NO.	DESCRIPTION	DRAWING	SIZE	Q'TY
A	Top		52"*20"	1pc
B	Leg		29-1/8"H	1pc
C	Leg		29-1/8"H	1pc
D	Leg		29-1/8"H	2pcs
E	Bottom		37-3/4"*12-1/8"	1pc
F	Glass		44-1/2"*12-3/4"	1pc

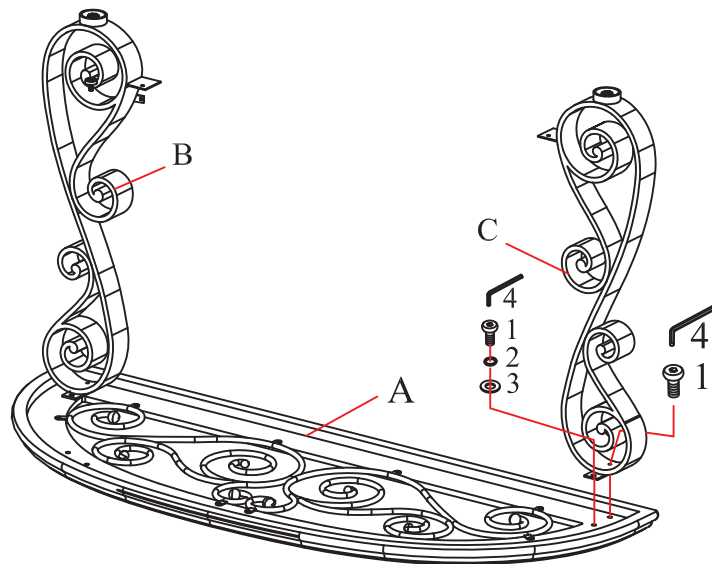
Hardware List				
NO.	DESCRIPTION	DRAWING	SIZE	Q'TY
1	Bolt		1/4"*18mm	16pcs
2	Spring Washer		1/4"	16pcs
3	Flat Washer		1/4"	16pcs
4	Allen Key		5/32"	1pc



ASSEMBLY INSTRUCTION





ITEM NO.: 21607-TABLE,SOFA

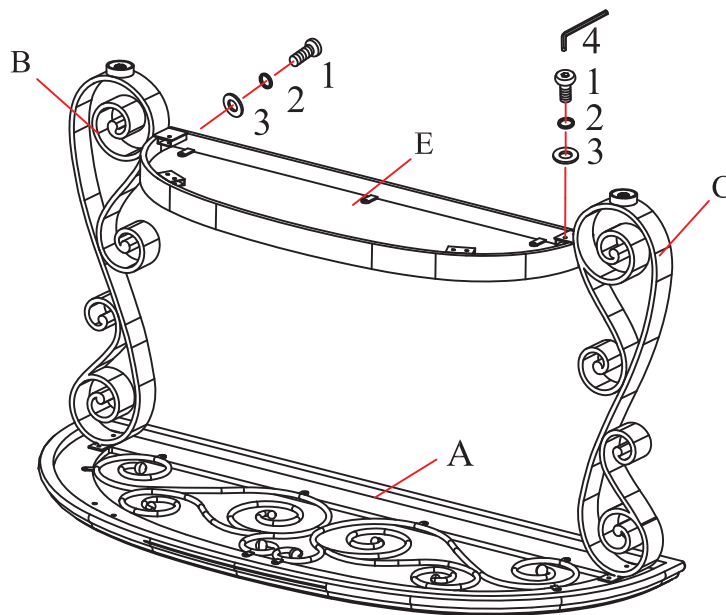
1		4pcs
2		2pcs
3		2pcs
4		1pc



Step 1

Attach the Leg (B) and Leg (C) to top (A), tighten them using Bolt (1), Spring Washer (2) and flat Washer (3) by Allen Key (4).

1		4pcs
2		4pcs
3		4pcs
4		1pc







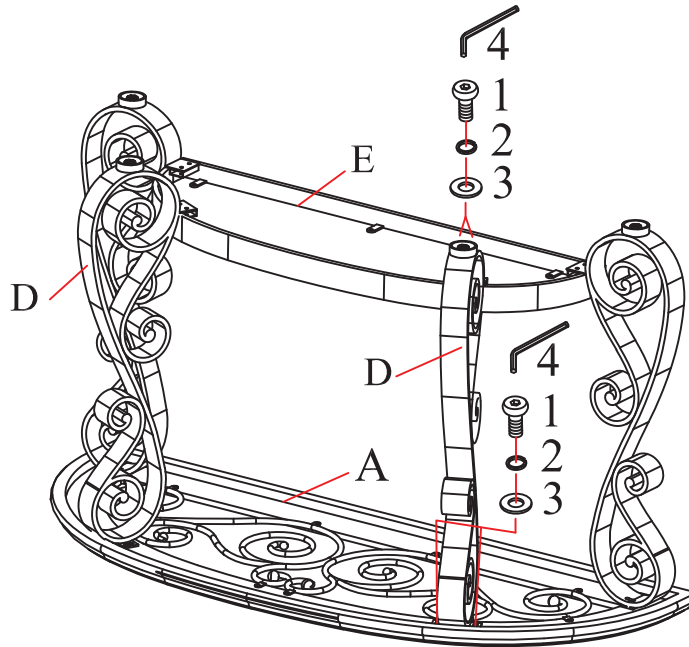
Step 2

Attach the bottom (E) to Leg (B) and Leg (C), tight using Bolt (1), Spring Washer (2) and flat Washer (3) by Allen Key (4).
note: don't over tighten before shelf and all bolts are installed.

ASSEMBLY INSTRUCTION

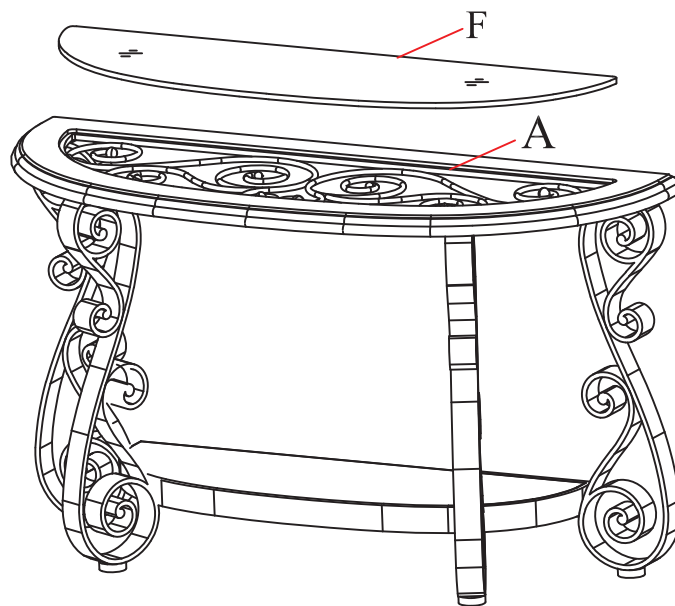
ITEM NO.: 21607-TABLE,SOFA

- 1  8pcs
- 2  8pcs
- 3  8pcs
- 4  1pc



Step 3

Attach the Leg (D) to Top (A) and Bottom (E) , tighten connect using Bolt (1),Spring Washer (2) and flat Washer (3) by Allen Key (4).



Step 4

Put the Glass (F) into the Top (A).