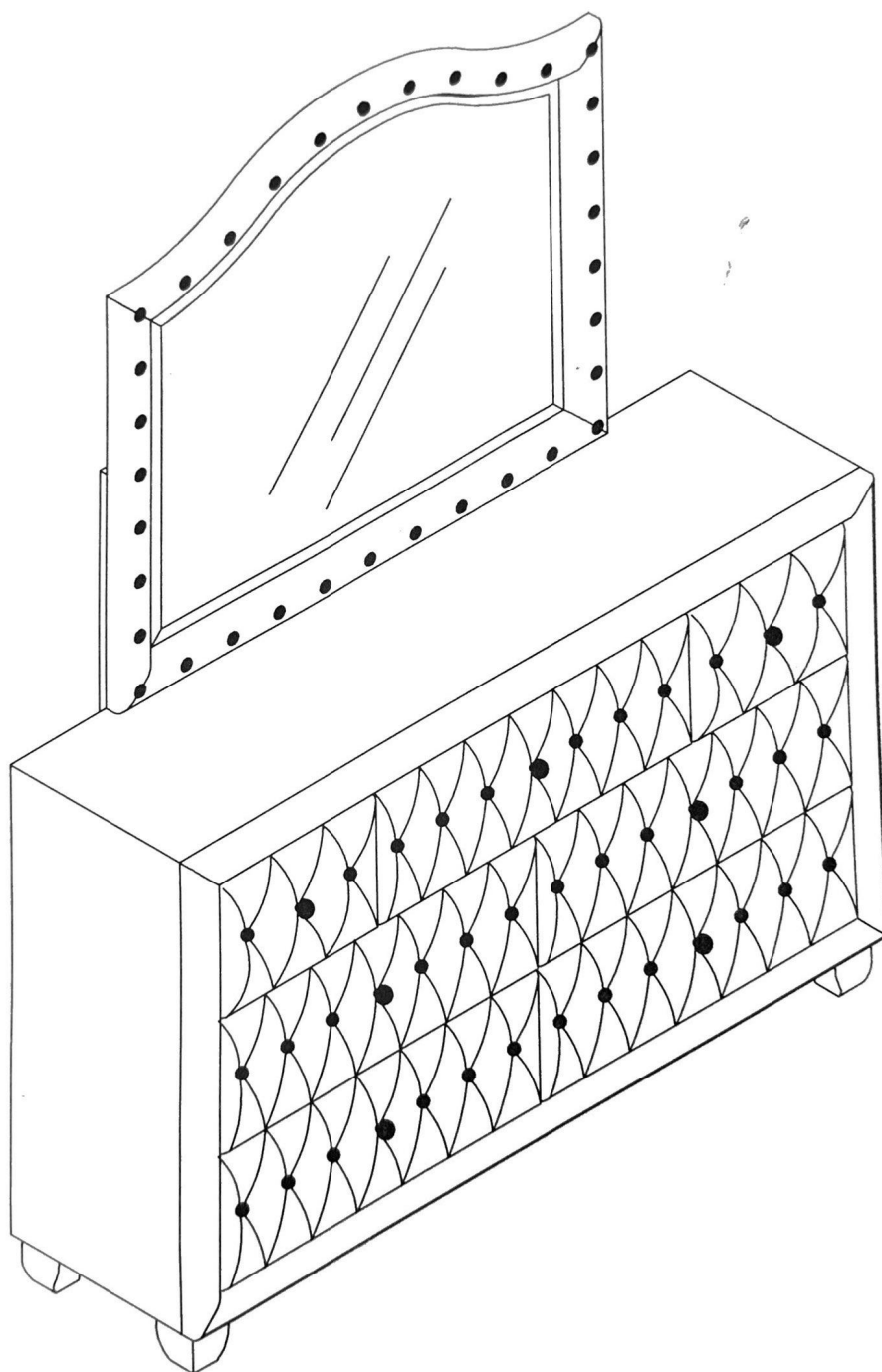
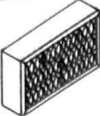






Assembly Instructions







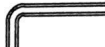


Assembly Instructions



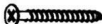
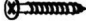
PARTS LIST

NO	DECS	PHOTO	Q'TY
A	Upholstery Dresser		1 pc
B	Legs		4 pcs
C	Center Leg		1 pc
D	Mirror		1 pc
E	Support Rail		2 pcs

HARDWARE LIST

NO	DECS	PHOTO	Q'TY
1	Long Bolts Ø5/16" x 100mm		4 pcs
2	Spring washer		4 pcs
3	Flats washer		4 pcs
4	Bolts Ø1/4" x 40mm		8 pcs
5	Spring washer		8 pcs
6	Flats washer		8 pcs
7	Allen key 4mm		1 pc

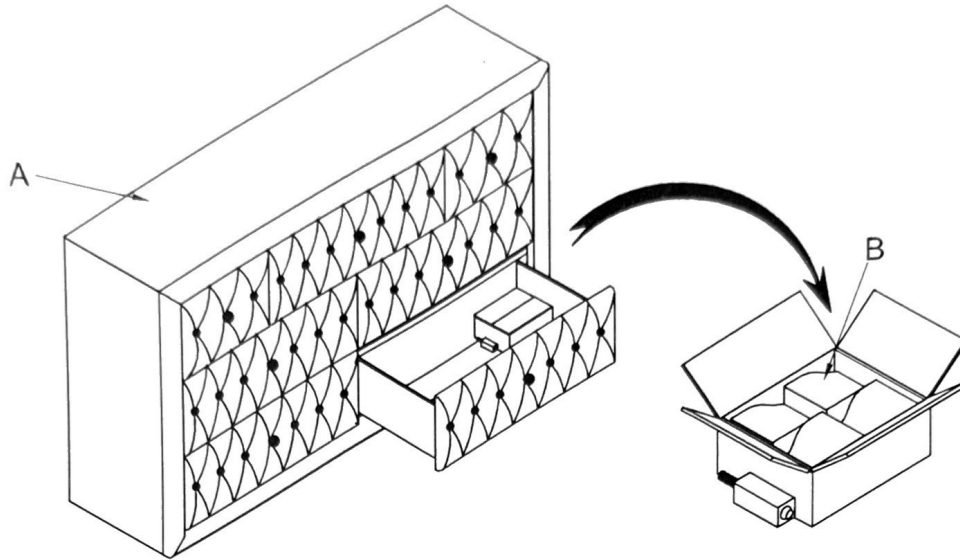
ANTI-TIP RES TRAI NT LIST

NO	COMPONENT		Q'TY
a	L Bracket		2pcs
b	Strap		1pc
c	Long Screw		1pc
d	Shot screw		1pc

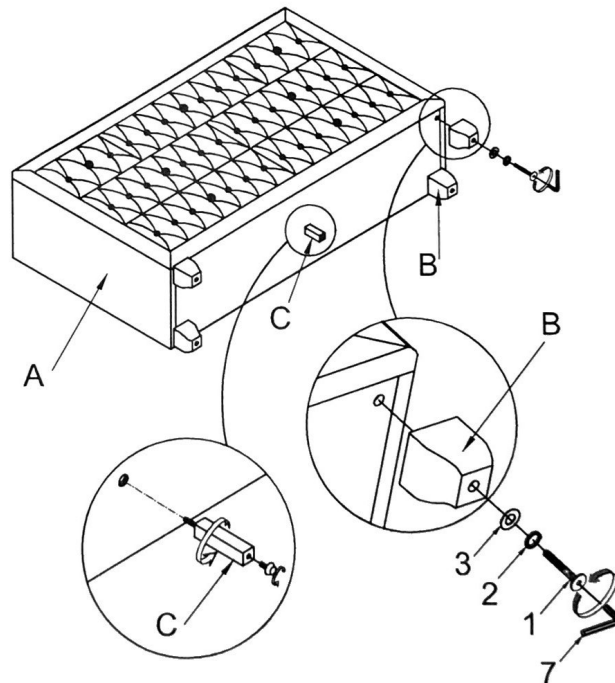
Assembly Instructions

ITEM: F1979 DRESSER&MIRROR

Step 1



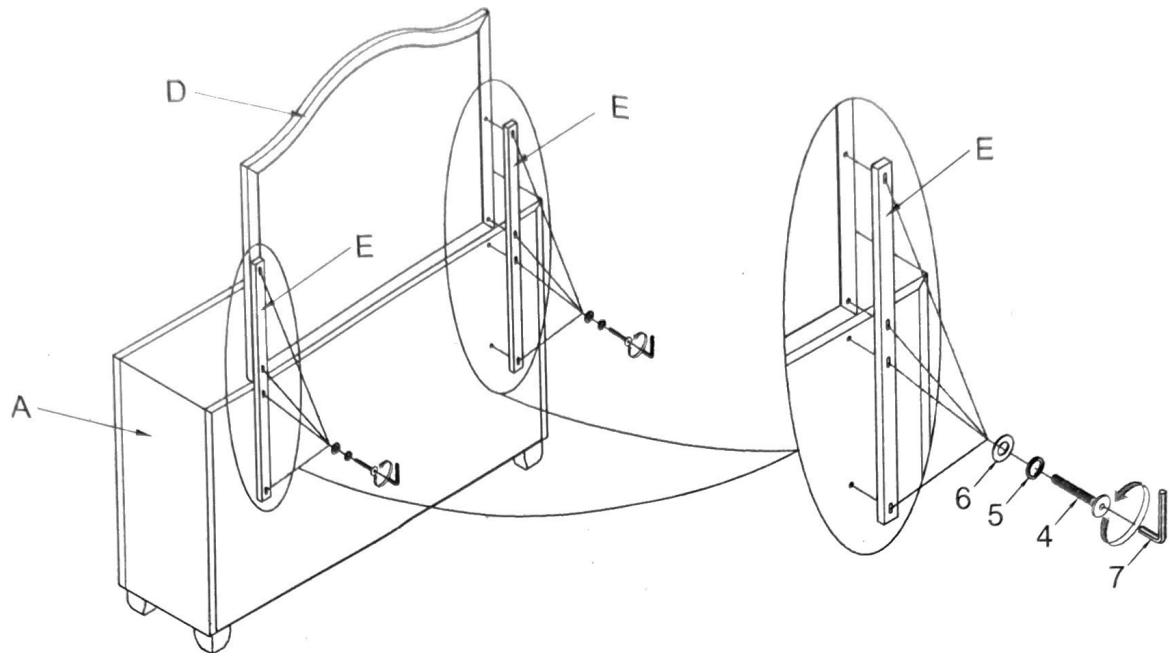
Step 2



Assembly Instructions

ITEM: F1979 DRESSER&MIRROR

Step 3



Step 4

