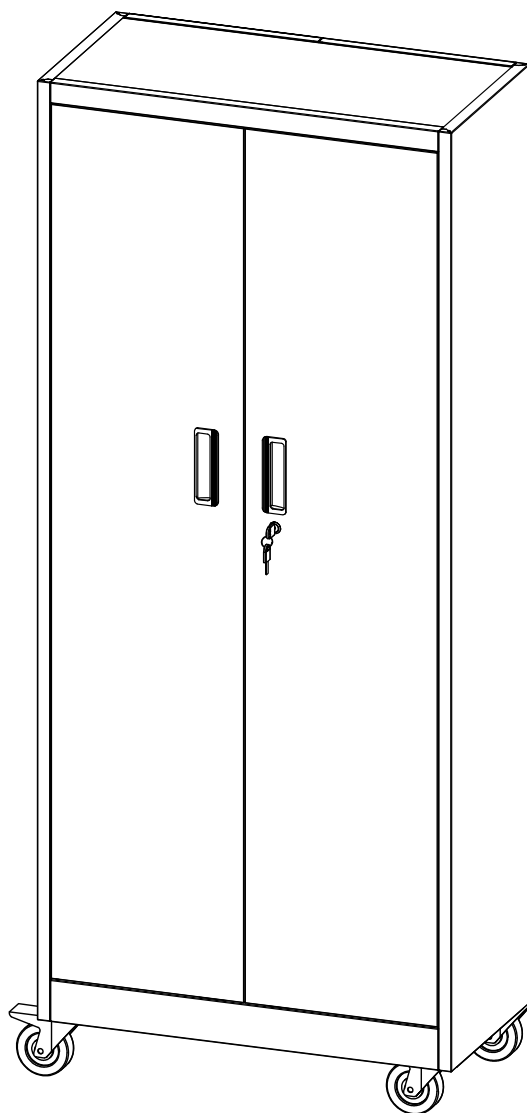
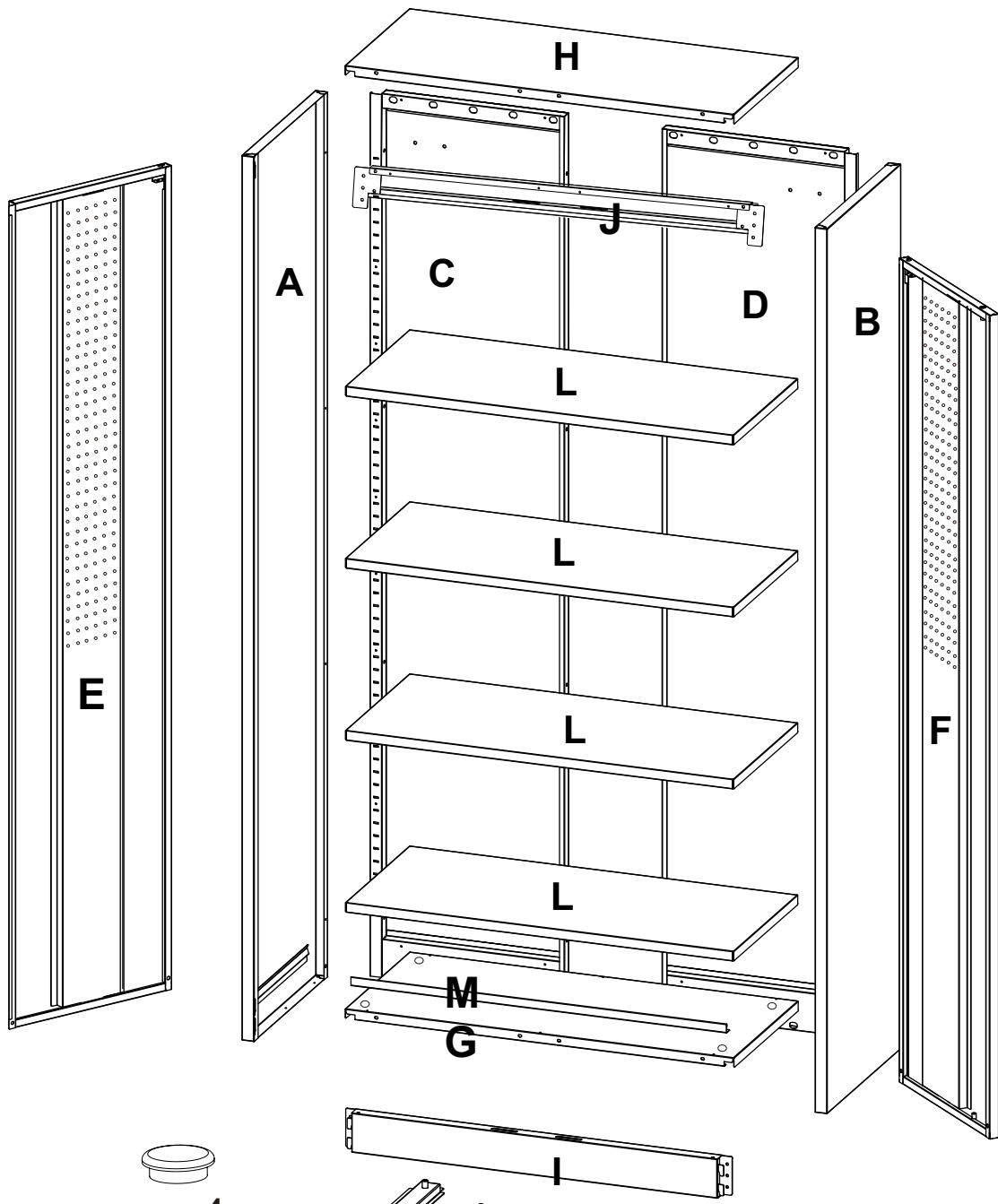


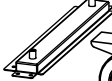


Installation & Assembly

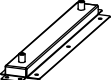




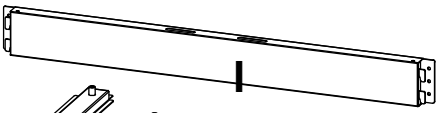



e×4

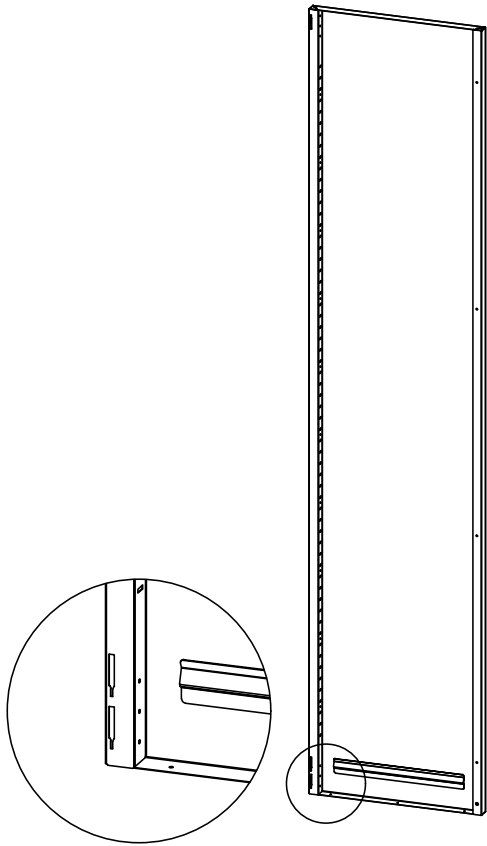

Y×4

K  
Z 

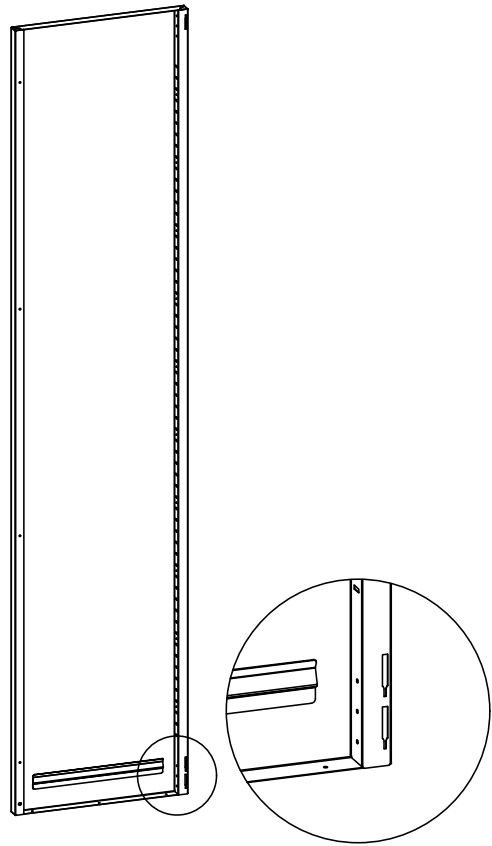
K  
Z 

I 

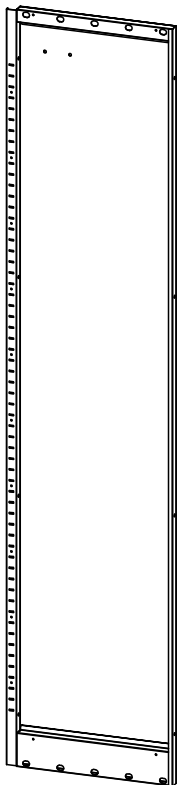
A Left side panel **1PC**



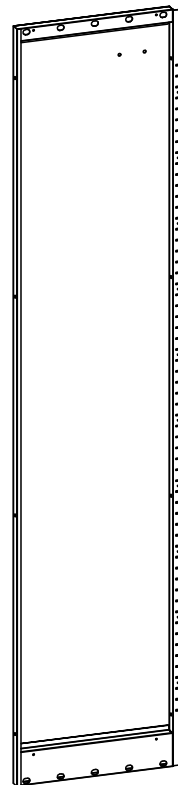
B Right side panel **1PC**

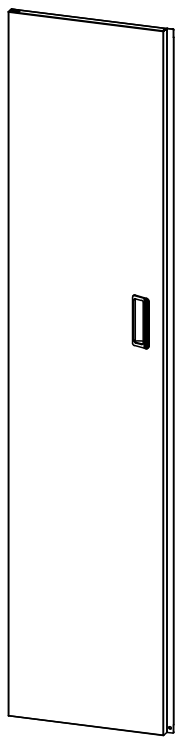


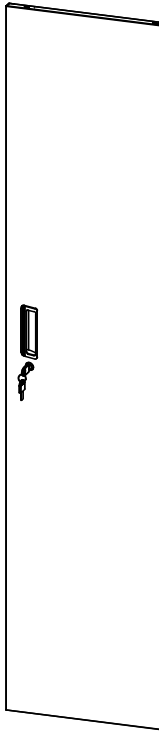
C Left back panel **1PC**

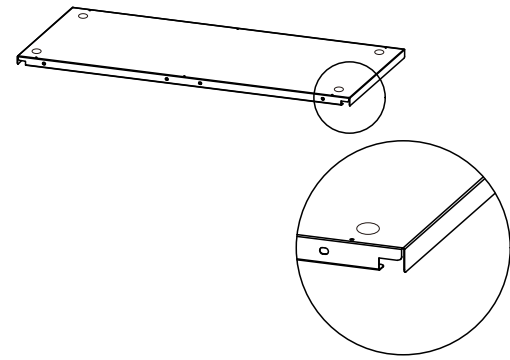


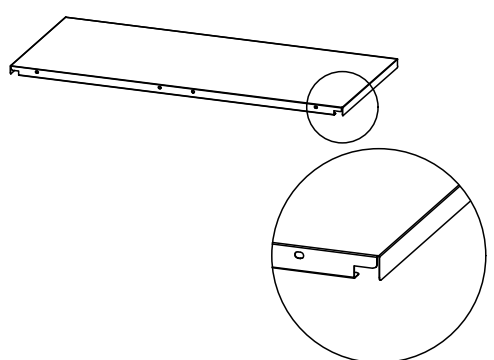
D Right back panel **1PC**

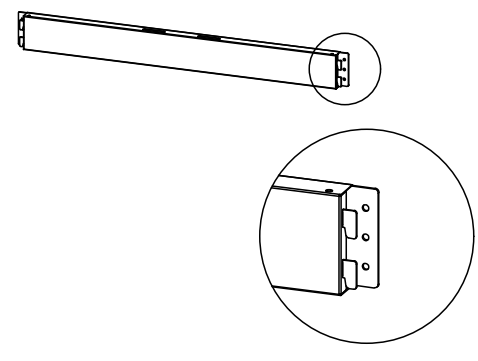


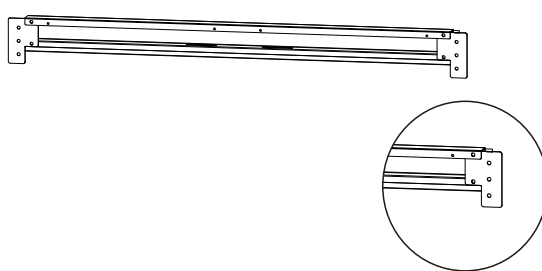
E	Left door	1PC
		

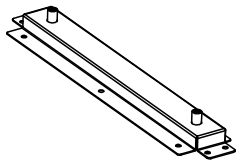
F	Right door	1PC
		

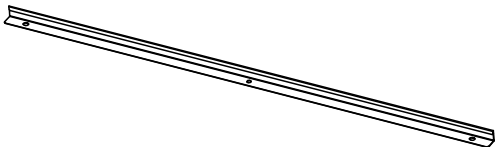
G	Bottom panel	1PC
		

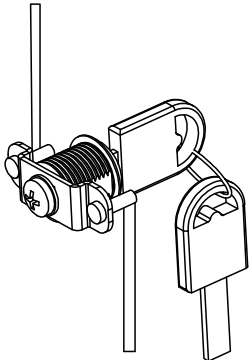
H	Top panel	1PC
		


I	Kick plate	1PC
		

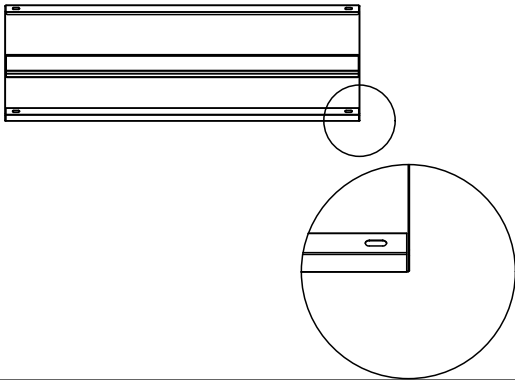
J	Top plate	1PC
		


K	Base	2PCS
		

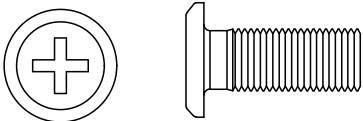
M	Bottom face	1PC
		


O	Lock	1PC
		
<p>Already pre-installed on the doors</p>		

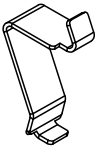

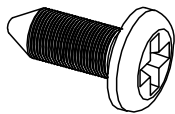



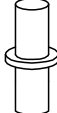

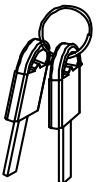


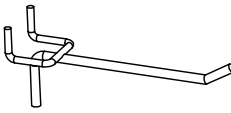
Q	Nut	4PCS
$\phi 5\text{mm} \times \text{L}12\text{mm}$		
		

L	Shelf	4PCS
		

N	Handle	2PCS
		
<p>Already pre-installed on the doors</p>		

P	4PCS
$\phi 5\text{mm} \times \text{L}12\text{mm}$	
	

R	Spring shaft	2PCS
		
<p>Already pre-installed on the doors</p>		

S	Shelf clasp	16PCS	T	53PCS
			$\phi 5\text{mm} \times L10\text{mm}$  	
U	Lock rod sleeve	2PCS	V	Expansion screw 2PCS
 Already pre-installed on the doors			 	
W	Door pivot	2PCS	Z	Wheel 4PCS
				
Key	2PCS	X	Shim 2PCS	
 Already attache on right door F				
e	Stopper	4PCS	Y	Hook 4PCS
				



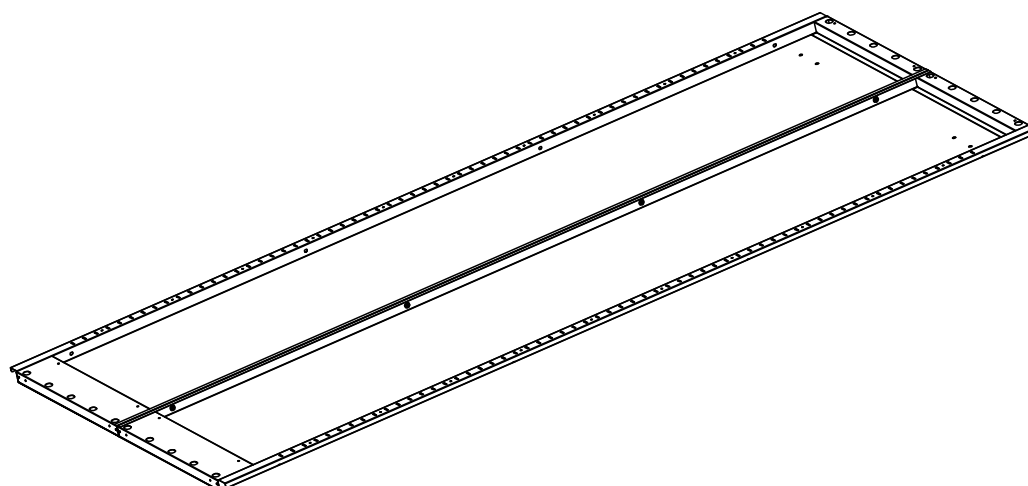
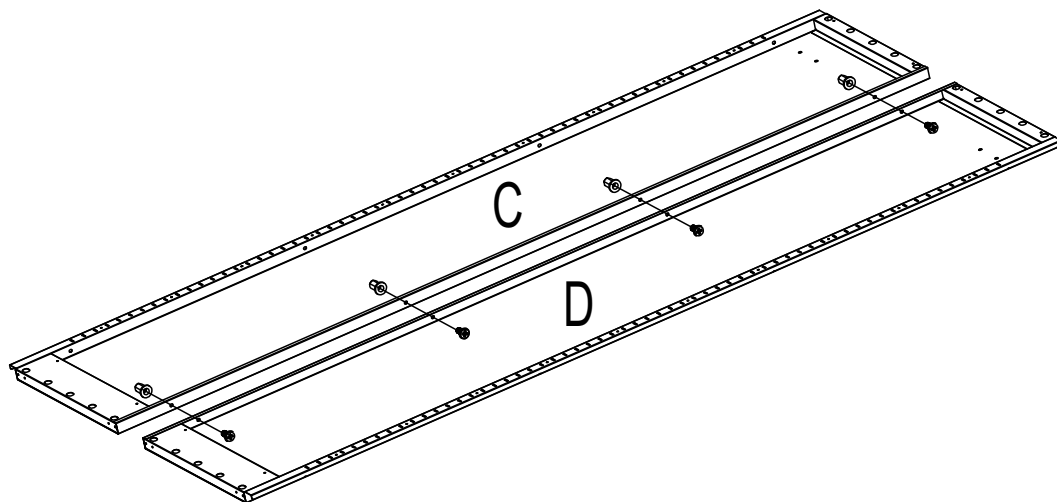
CAUTION


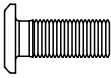

An assistant is required

Please kindly note:

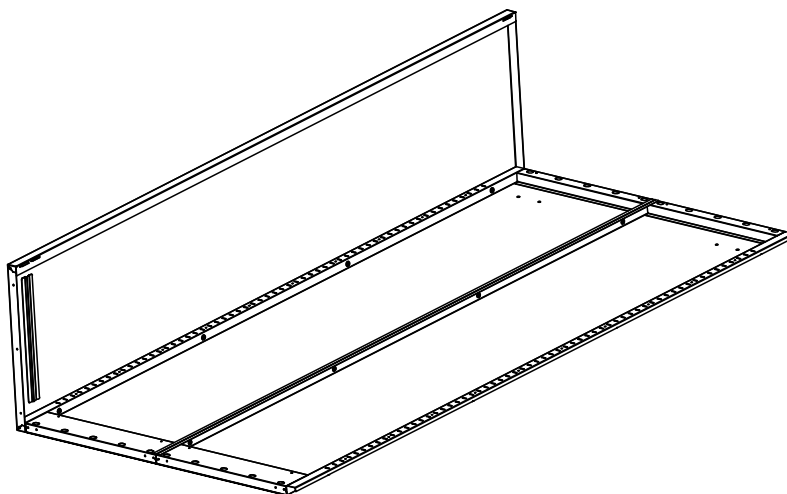
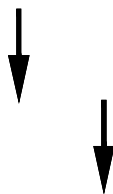
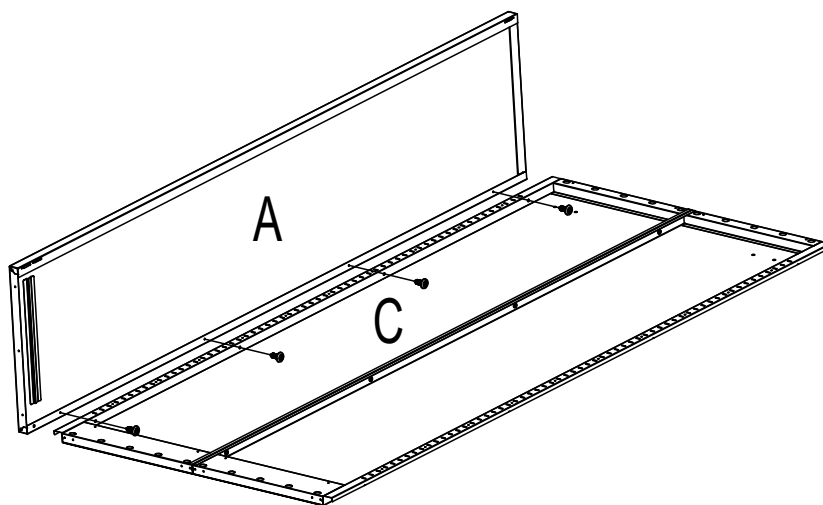
1. When opening the package, you may find 4 corners are equipped with 4 corner protectors. They are used to protect the products from getting damaged in transit, not used to assemble.
2. If there is any problem, please feel free to contact our customer service team and we are always here to assist with you!
3. If there is any slight dent or damage, you can try to fix it by pliers or hammers or contact us.

Step 1: Connect left back panel C and right back panel D by screws P and nuts Q



P			4PCS	Q		4PCS
---	---	---	------	---	---	------

Step 2: Connect left side panel A to left back panel C by screws T

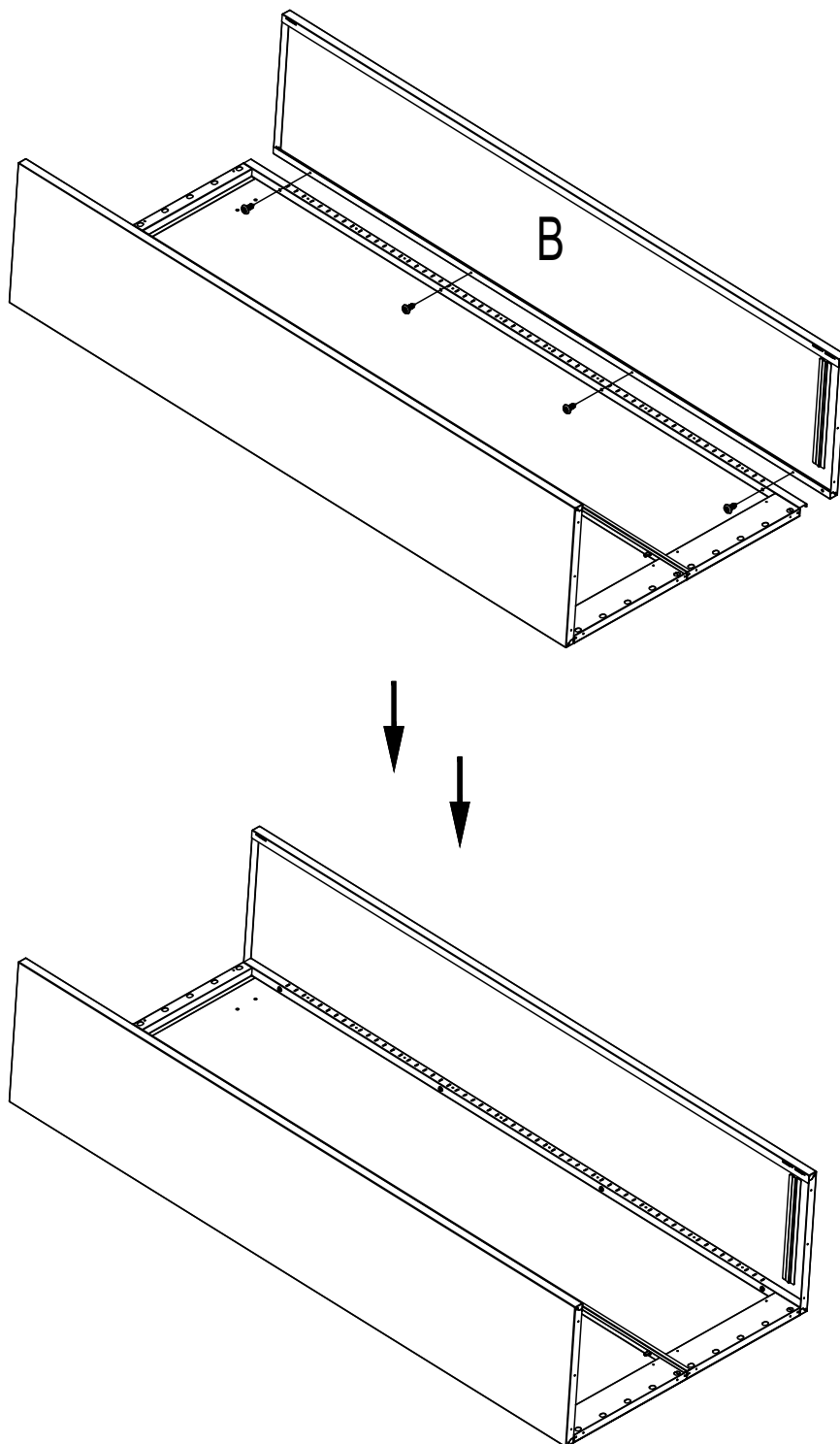




T



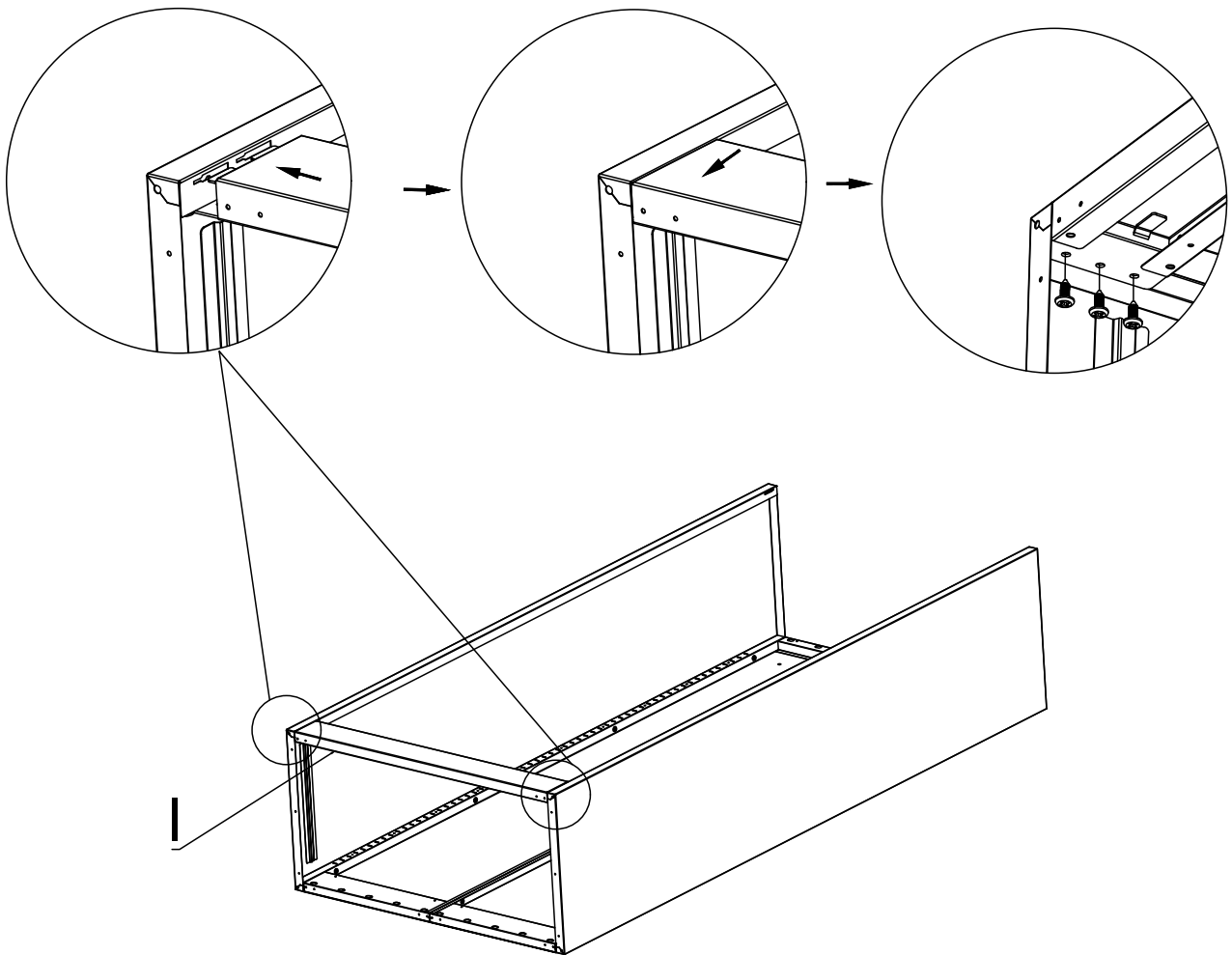
4PCS



Step 3: Connect right side panel B to right back panel D by screws T



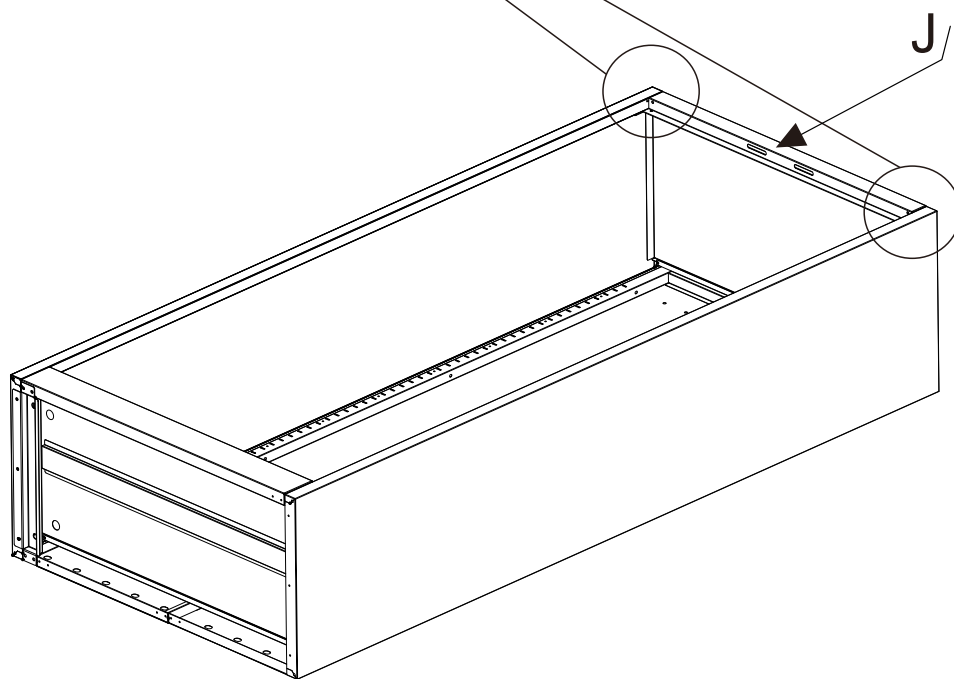
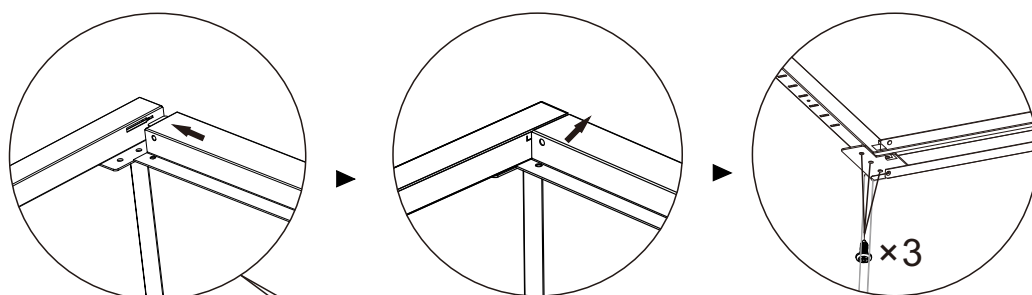
T			4PCS
---	---	---	------



Step 4: Insert kick plate I on the bottom, press it downward, then fix it with screws T



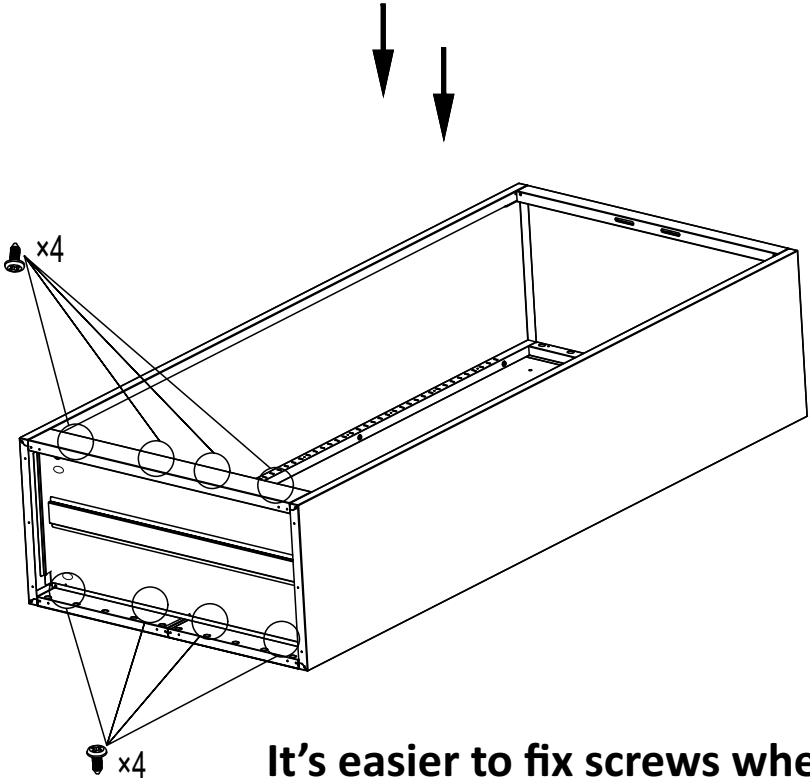
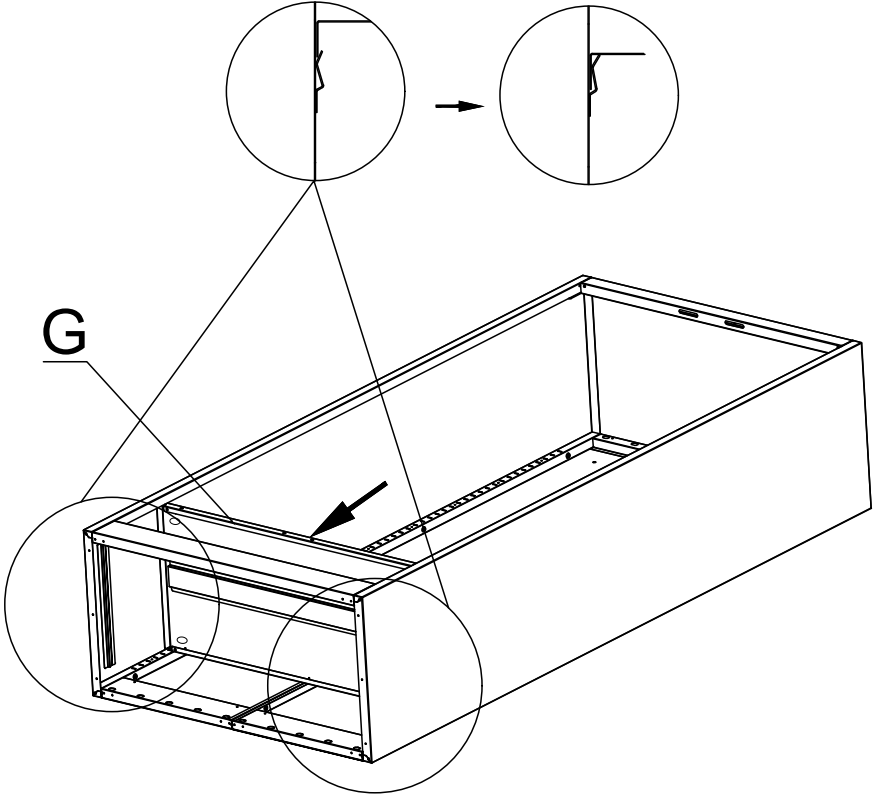
T			6PCS
---	---	---	------

Step 5: Insert top plate J on the top, push it upward, then fix it with screws T





T			6PCS
---	---	---	------

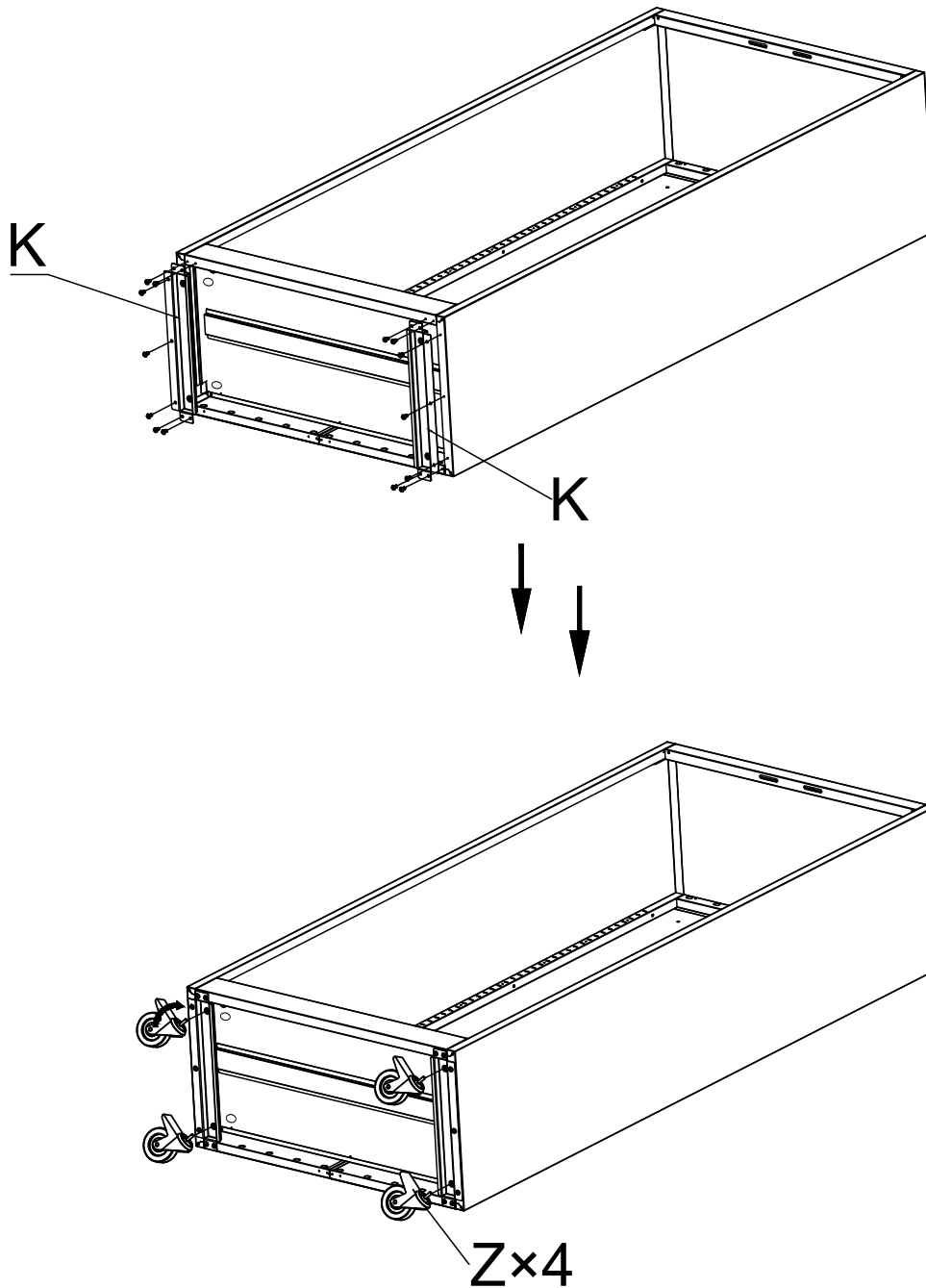
Step 6: Install the bottom panel G and fix it with screws T






It's easier to fix screws when back panels or side panels are put on the floor

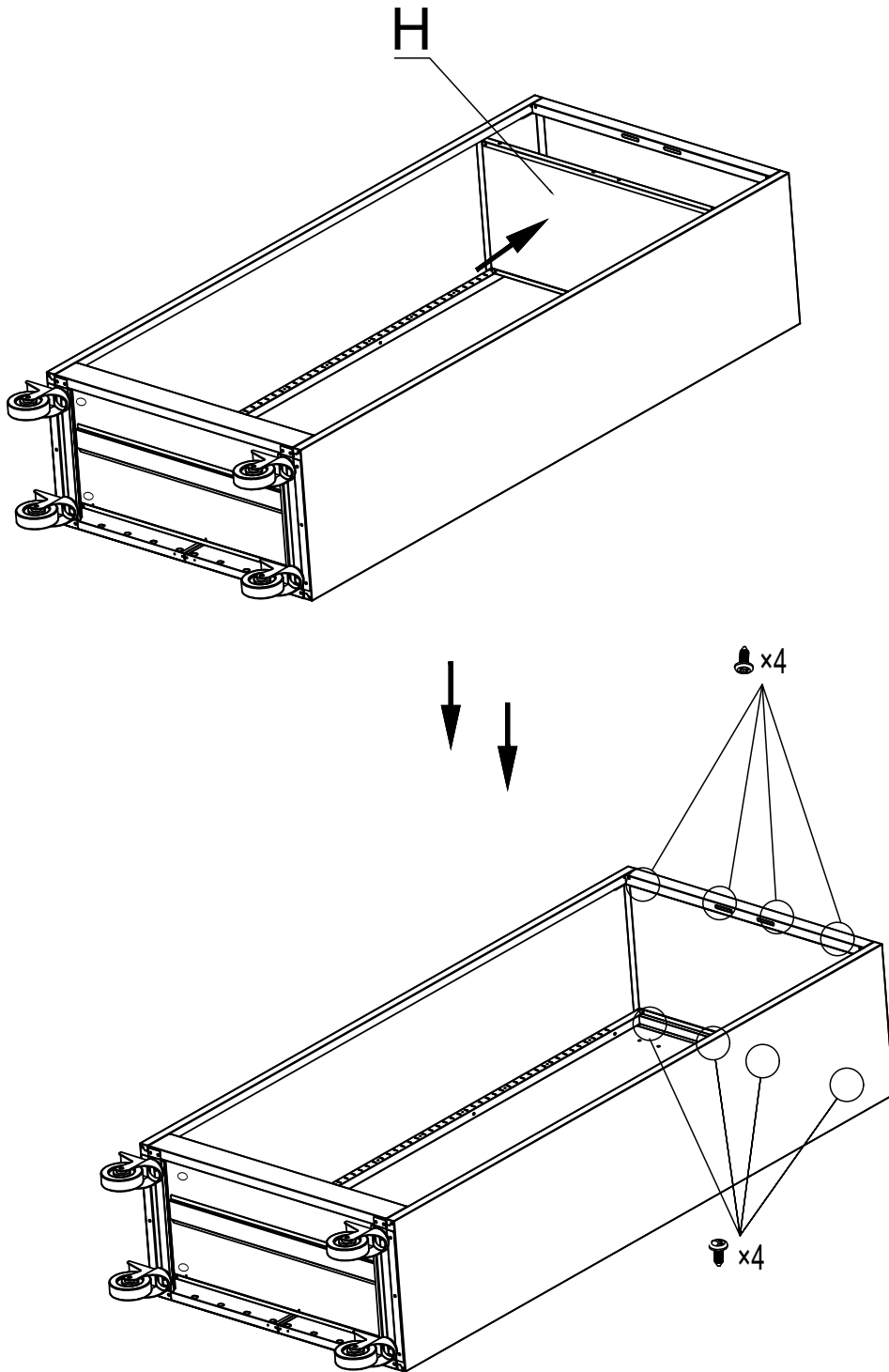
T			8PCS
---	---	---	------

Step 7: Install the bases K on the bottom panel and fix them with screws T, then attach wheels Z on the bases



T			14PCS	Z		4PCS
---	---	---	-------	---	---	------

Step 8: Install the top panel H and fix it with screws T



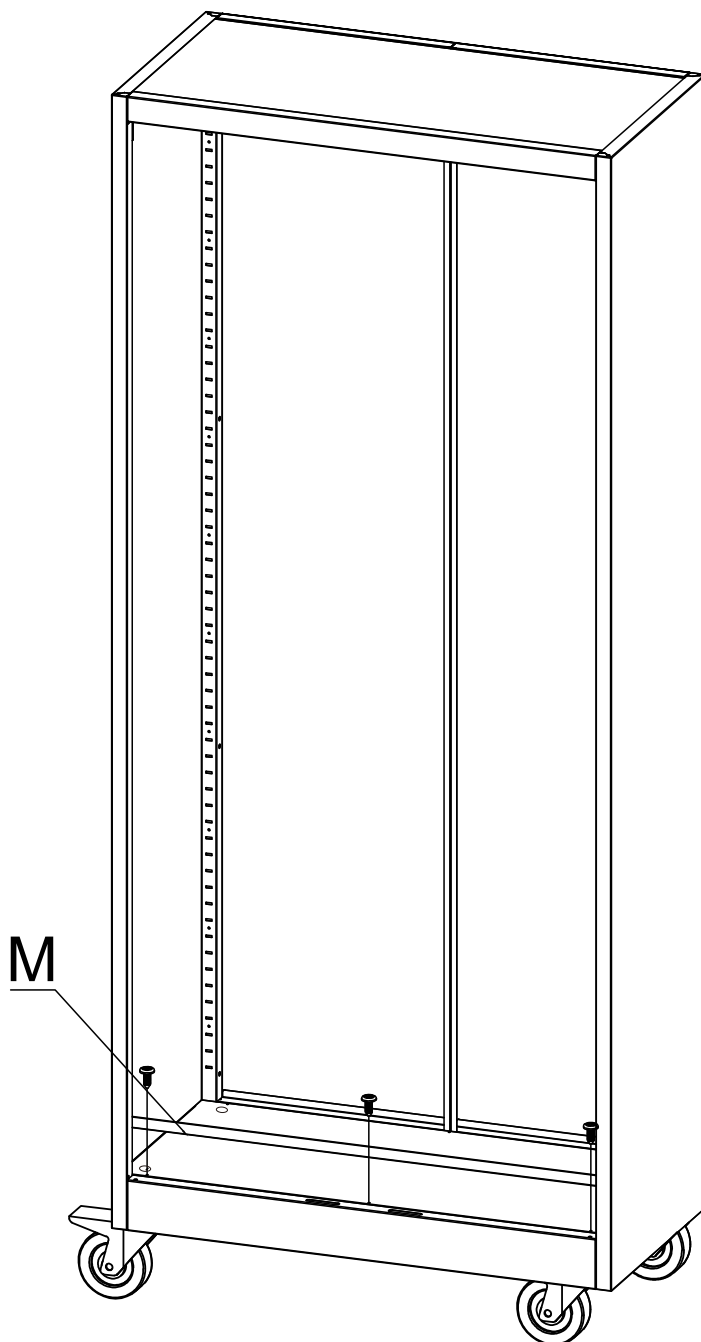
It's easier to fix screws when back panels or side panels are put on the floor

T



8PCS

Step 9: Fix the bottom face M on the bottom panel with screws T



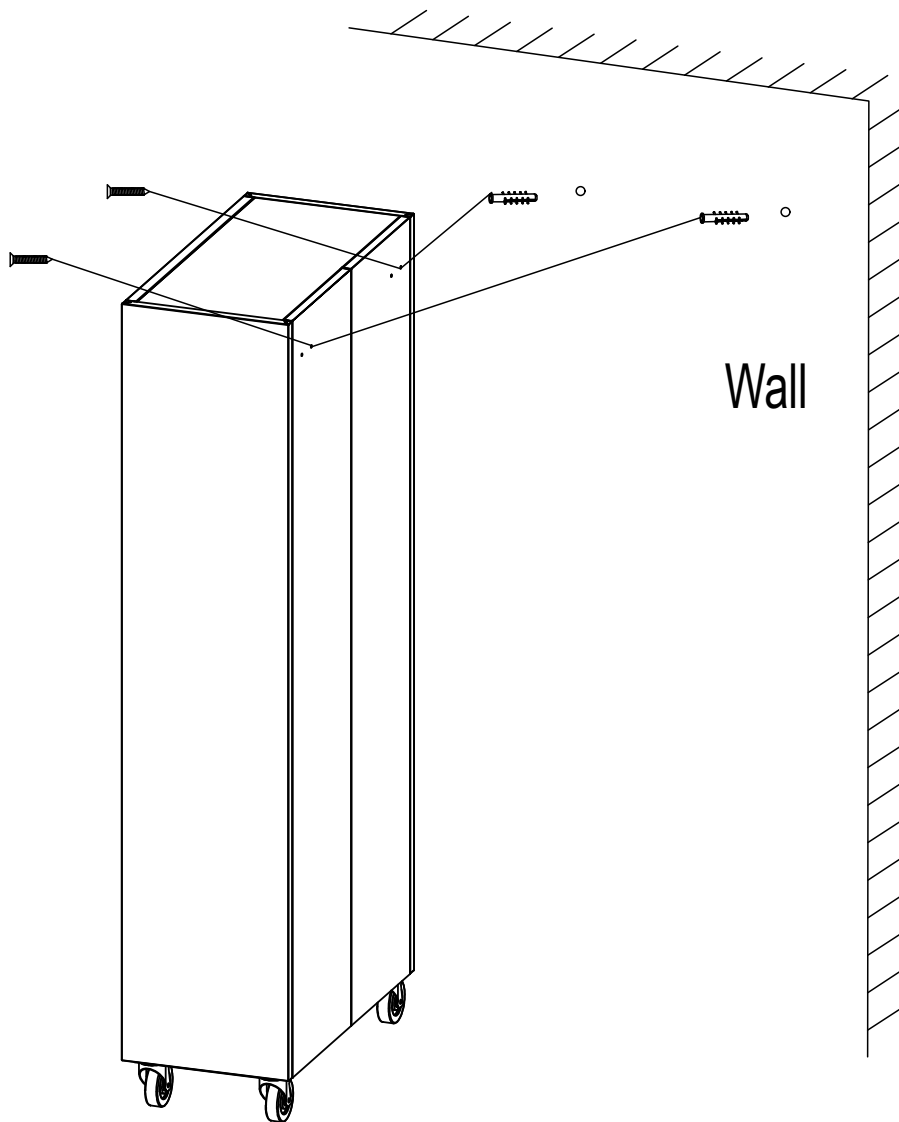
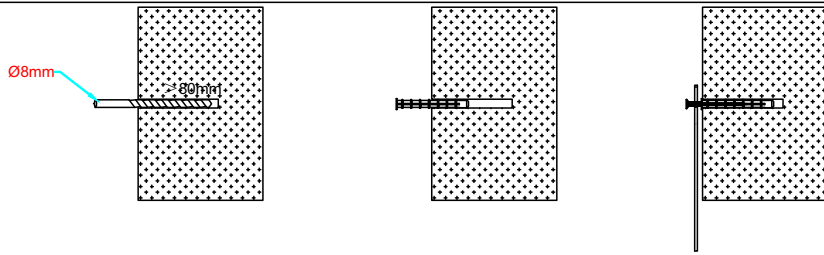
Please lock the wheels to keep stable before the next steps.

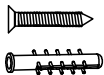
T



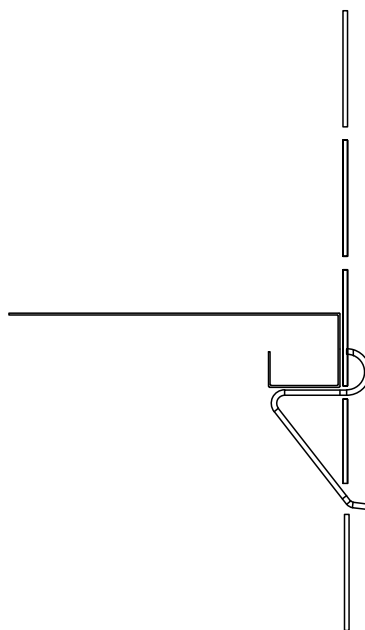
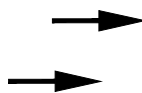
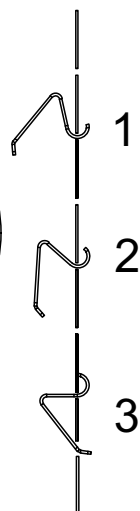
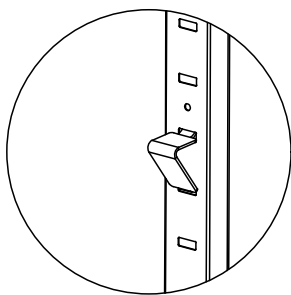
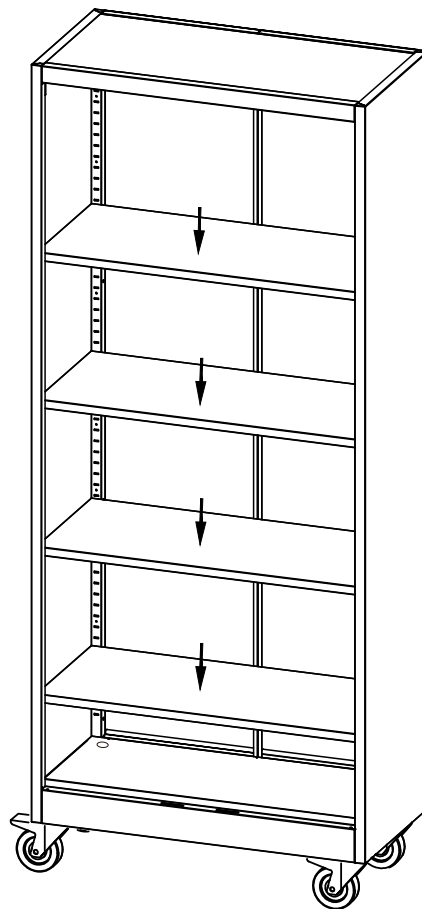
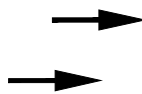
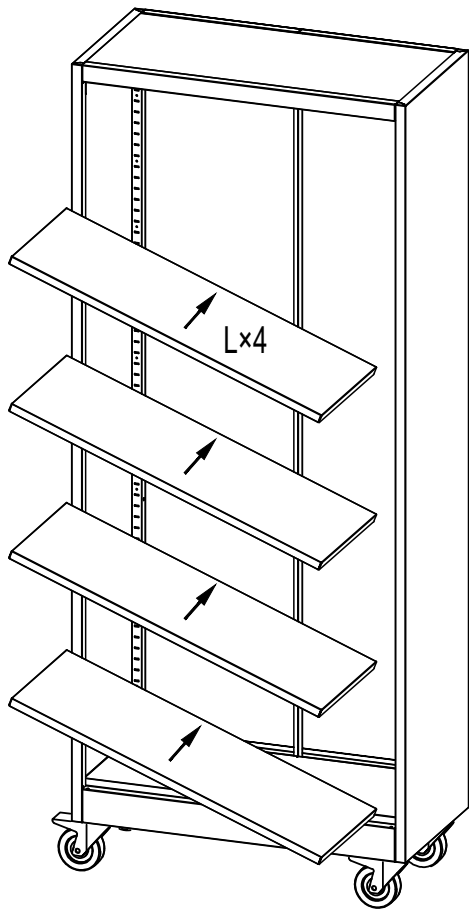
3PCS


Step 10: Fasten the cabinet on the wall to prevent tipping



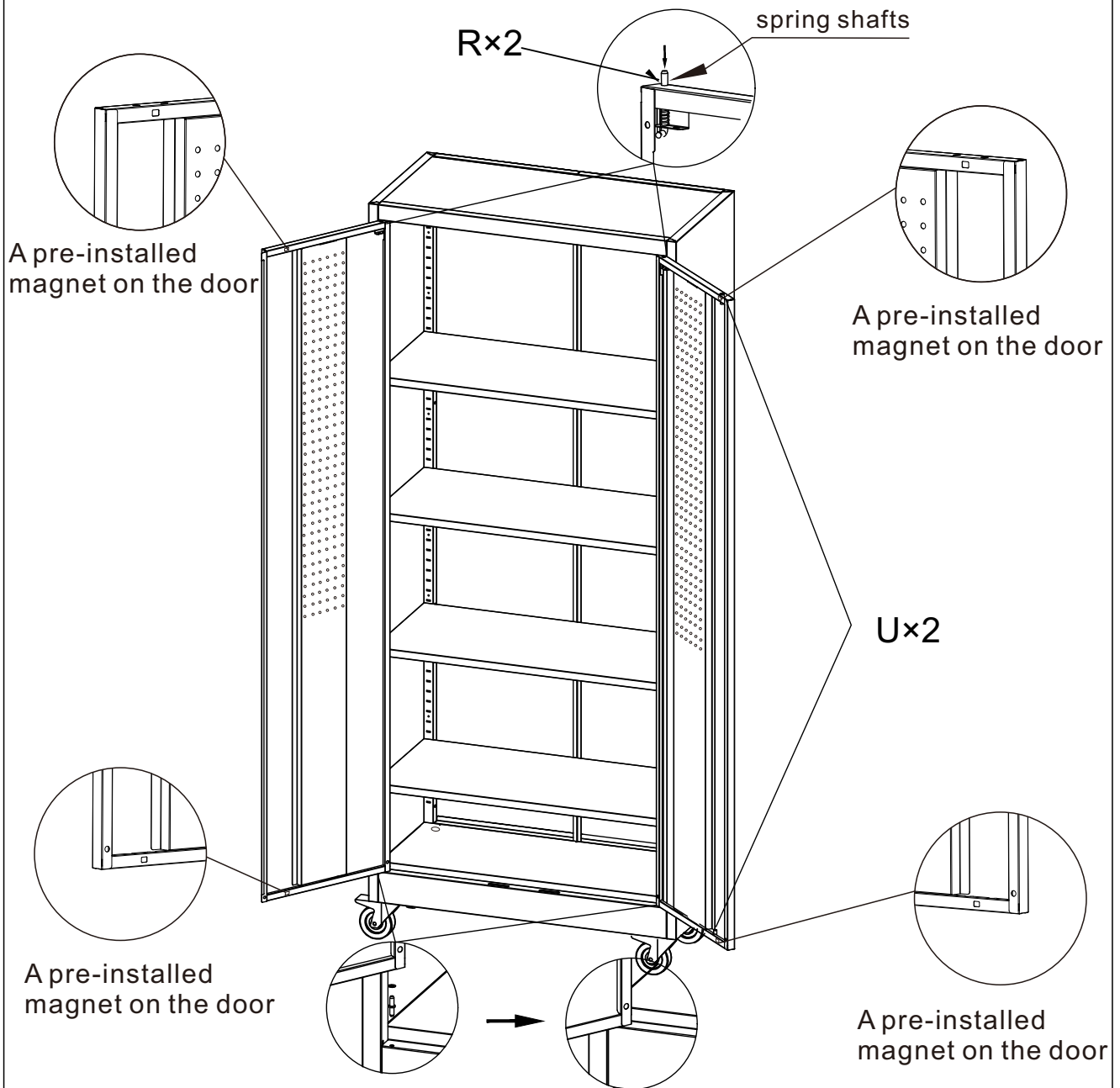
V		2PCS
---	---	------

Step 11: Install 16 shelf clasps S and put the shelves L on them

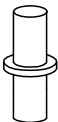



S		16PCS
---	---	-------

Step 12: Insert the door pivots W into the holes of the both sides of the bottom corner (0/1/2 shims X can be used to adjust), then insert the doors into the door pivots on the bottom and adjust the spring shafts R on the top


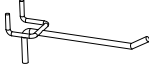


Please remove the keys from the door and store them properly before installing the door

W		2PCS	X		2PCS
---	---	------	---	---	------

Step 13: Install 4 hooks Y on the doors
Insert 4 stoppers e into the the holes at the corners
of the bottom panel



e		4PCS	Y		4PCS
---	---	------	---	---	------