

ASSEMBLY INSTRUCTION

Thank you for purchasing this quality product. Be sure to check all packing material carefully for small parts which may have come loose inside the carton during shipment. Separate, identify and count all parts and hardware. Compare with the parts list to be sure all parts are present.

IMPORTANT : PLEASE READ INSTRUCTION BEFORE STARTING THE ASSEMBLY.

"DO NOT TIGHTEN SCREWS UNTIL COMPLETELY ASSEMBLED"

"DO NOT OVERTIGHT ANY HARDWARE"

WARNING : SMALL PARTS AND HARDWARE NOT FOR CHILDREN UNDER 3 YEARS. ADULT ASSEMBLY REQUIRED.

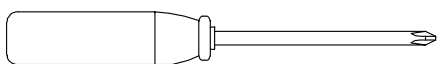
TABLE OF CONTENTS

HARDWARES LIST	PAGE 2 - 3
PARTS LIST	PAGE 3 - 4
PARTS' LOCATION	PAGE 5
ASSEMBLY STEPS	PAGE 6 - 16
ASSEMBLY COMPLETED	PAGE 16

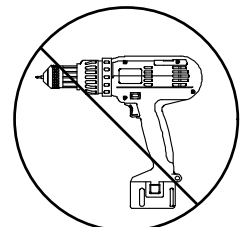
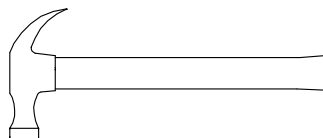
ASSEMBLY TOOLS REQUIRED

Skip the power trip this time.

1. Screwdriver (not provide)


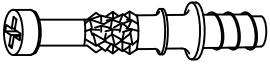


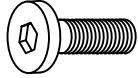
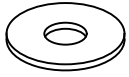
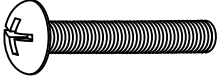
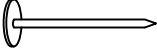



2. Hammer (not provide)



ASSEMBLY INSTRUCTION

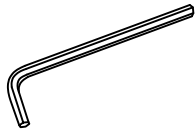

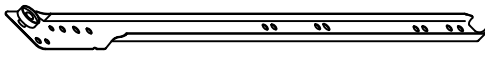

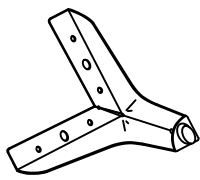
HARDWARES LIST

ITEM	DESCRIPTION	DRAWING	QTY
A	MINIFIX CAM LOCK		20 PCS
B	MINIFIX CAM BOLT		20 PCS
C	WOOD DOWEL (M8 x 25MM)		8 PCS
D	WOOD DOWEL (M6 x 25MM)		16 PCS
E	JCBC SCREW M6 x 16MM		8 PCS
F	FLAT WASHER M6 x 19MM		8 PCS
I	TRUSS M-SCREW (20MM)		4 PCS
L	6/8" NAIL		16 PCS
M	HANDLE		2 PCS

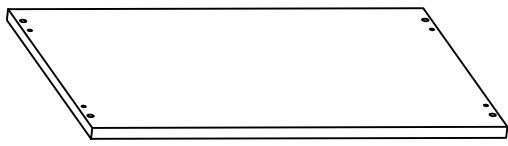
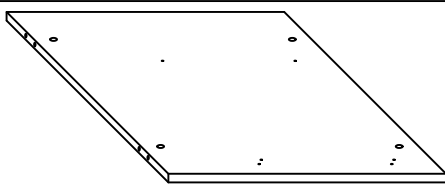
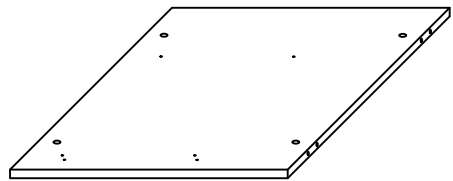
MORE HARDWARES DETAIL IN NEXT PAGE...

ASSEMBLY INSTRUCTION

HARDWARES LIST

ITEM	DESCRIPTION	DRAWING	QTY
N	M4 ALLEN KEY (65MM)		1 PC
O	LEFT DRAWER SLIDE		2 PCS
P	RIGHT DRAWER SLIDE		2 PCS
Q	CSK SCREW M3 x 10mm		12 PCS
S	METAL SUPPORT LEG		4 PCS

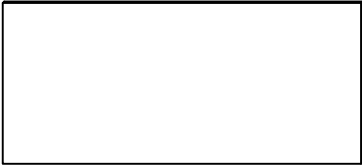
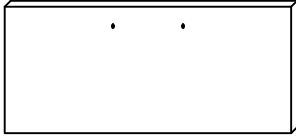
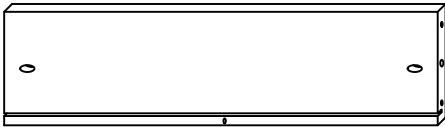
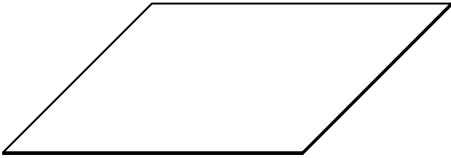
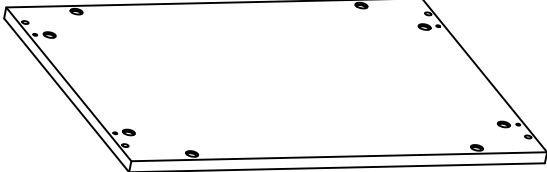
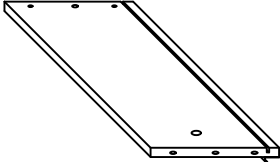
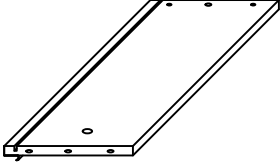
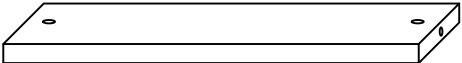
PARTS LIST

ITEM	DESCRIPTION	DRAWING	QTY
N1	TOP PANEL		1 PC
N2	LEFT PANEL		1 PC
N3	RIGHT PANEL		1 PC

MORE PARTS DETAIL IN NEXT PAGE...

ASSEMBLY INSTRUCTION

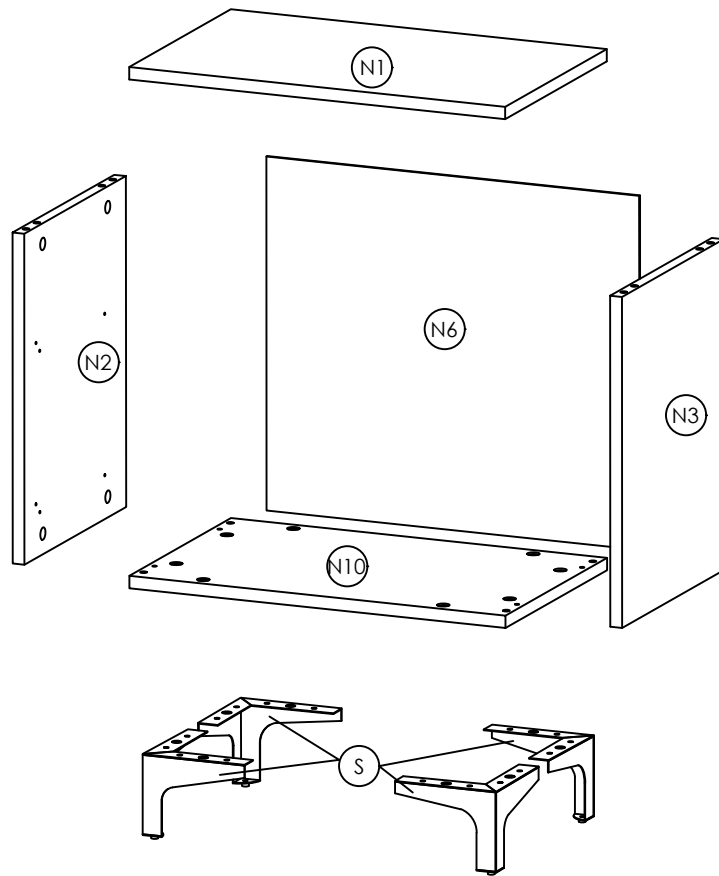
PARTS LIST

ITEM	DESCRIPTION	DRAWING	QTY
N6	BACK PANEL		1 PC
N7	DRAWER HEAD		2 PCS
N8	DRAWER BACK PANEL		2 PCS
N9	DRAWER BOTTOM PANEL		2 PCS
N10	BOTTOM PANEL		1 PC
19	DRAWER LEFT PANEL		2 PCS
20	DRAWER RIGHT PANEL		2 PCS
21	DRAWER BOTTOM SUPPORT RAIL		2 PCS

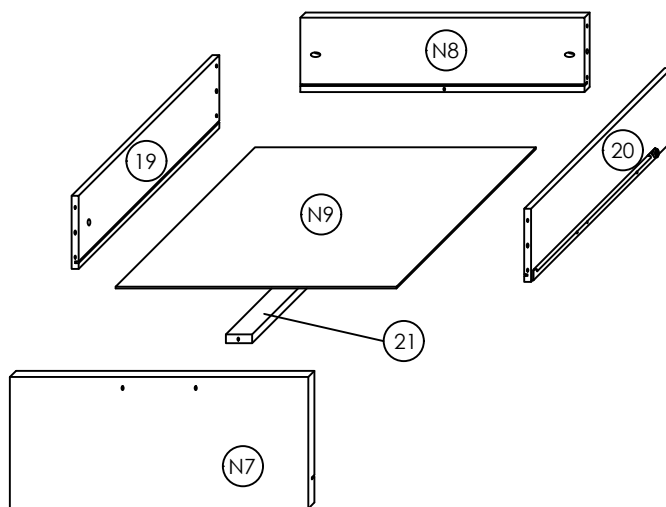
ASSEMBLY INSTRUCTION

PARTS ' LOCATION

NIGHTSTAND x 1 PC



DRAWER x 2 PCS

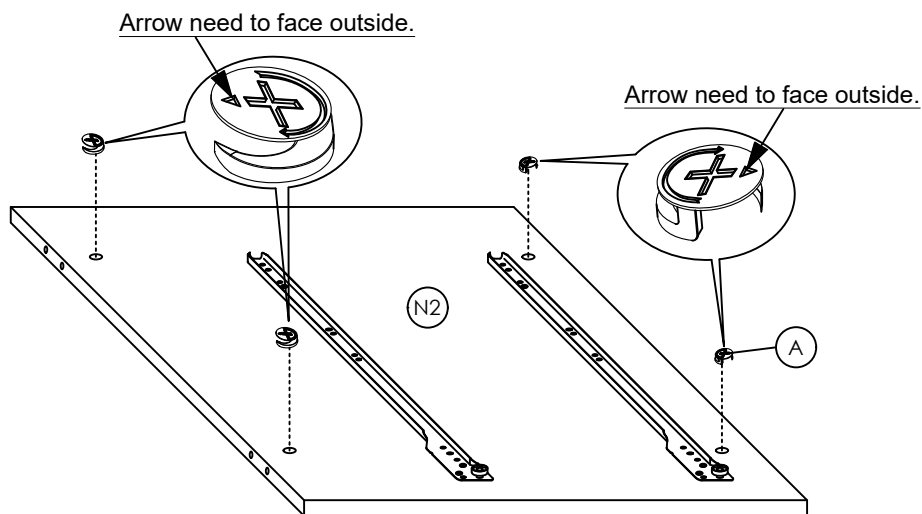
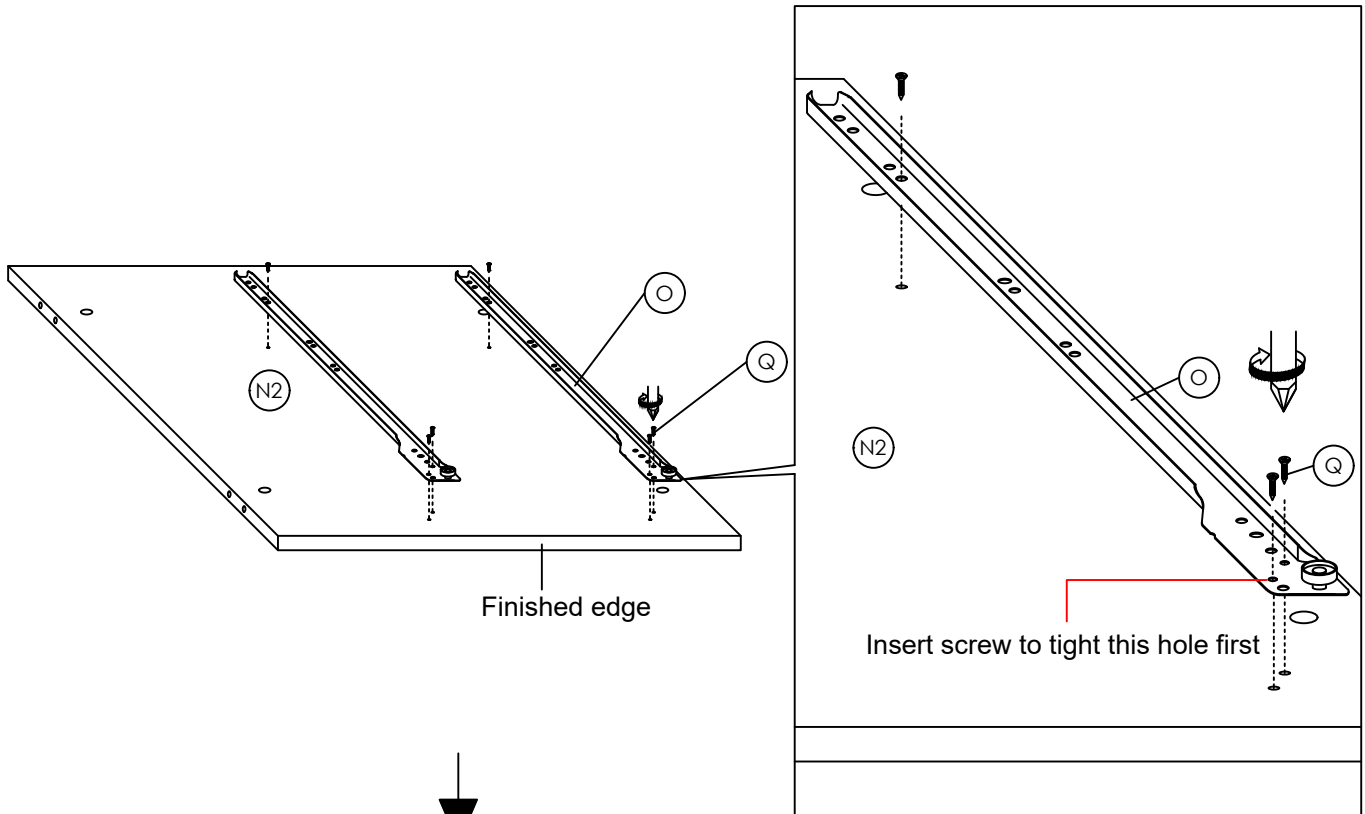


ASSEMBLY INSTRUCTION

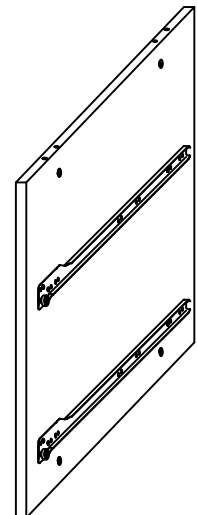
ASSEMBLY STEPS

STEP 1

Fix the 2 pieces (O) to the (N2) by using 6 pieces (Q). Then insert 4 pieces (A) as shown.



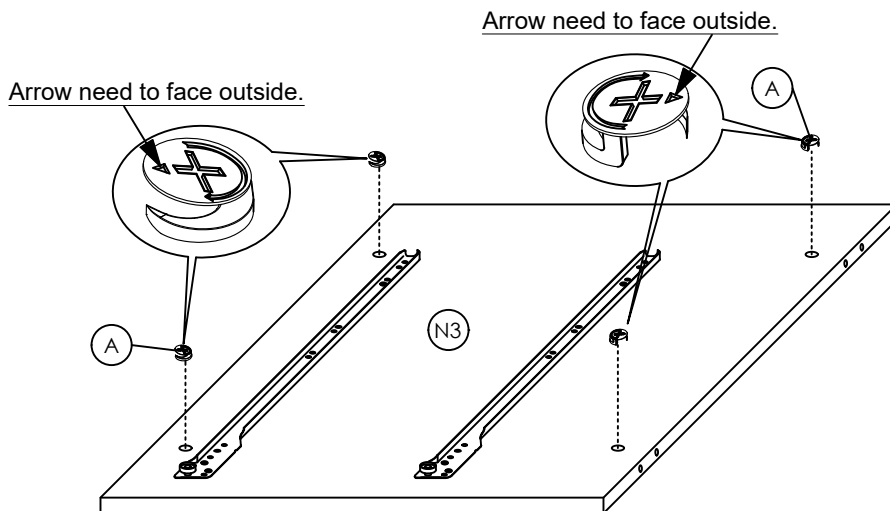
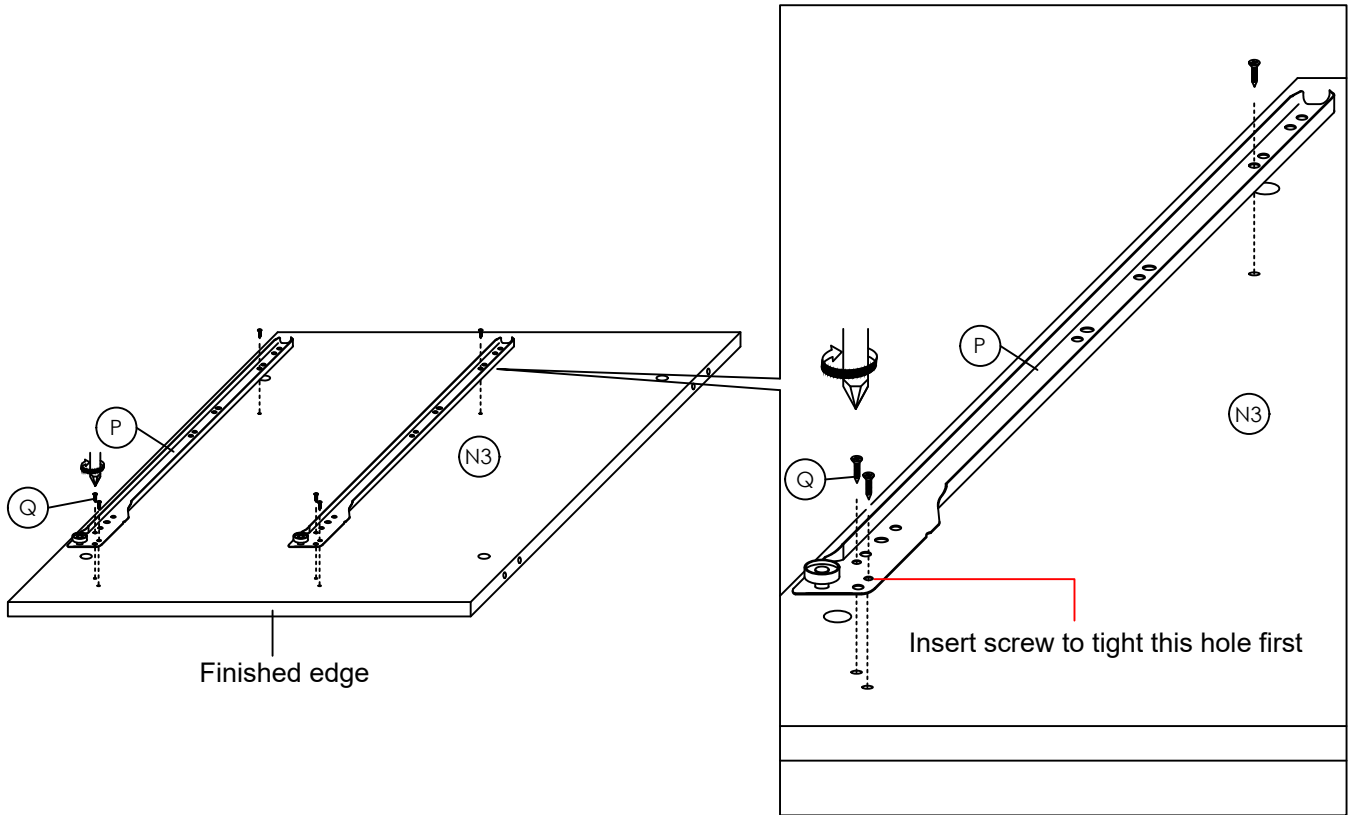
Assembled looks



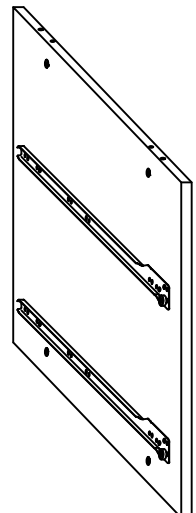
ASSEMBLY INSTRUCTION

STEP 2

Fix the 2 pieces (P) to the (N3) by using the remaining 6 pieces (Q). Then insert 4 pieces (A) as shown.



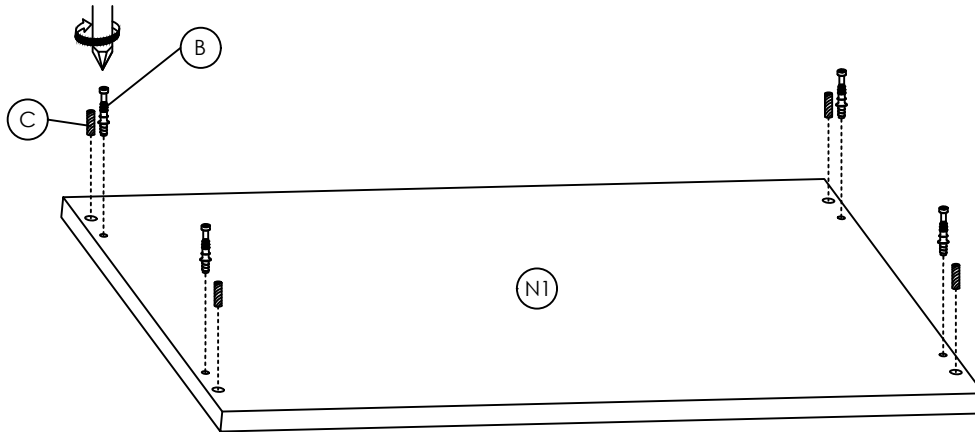
Assembled looks



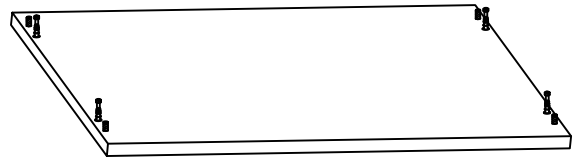
ASSEMBLY INSTRUCTION

STEP 3

Insert 4 pieces (B) and (C) to the (N1) as shown.

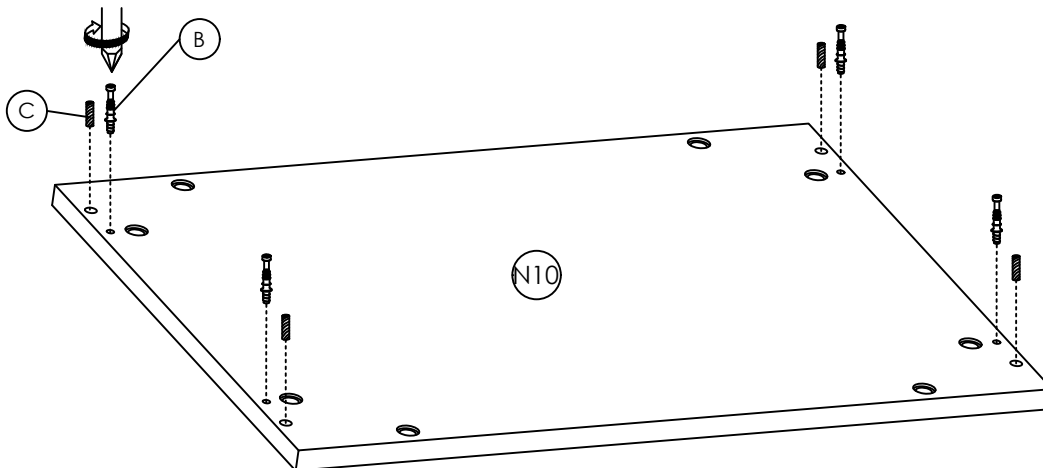


Assembled looks

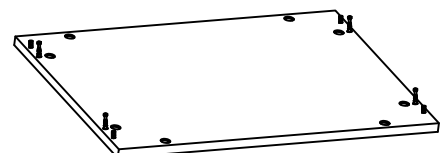


STEP 4

Insert 4 pieces (B) and (C) to the (N10) as shown.



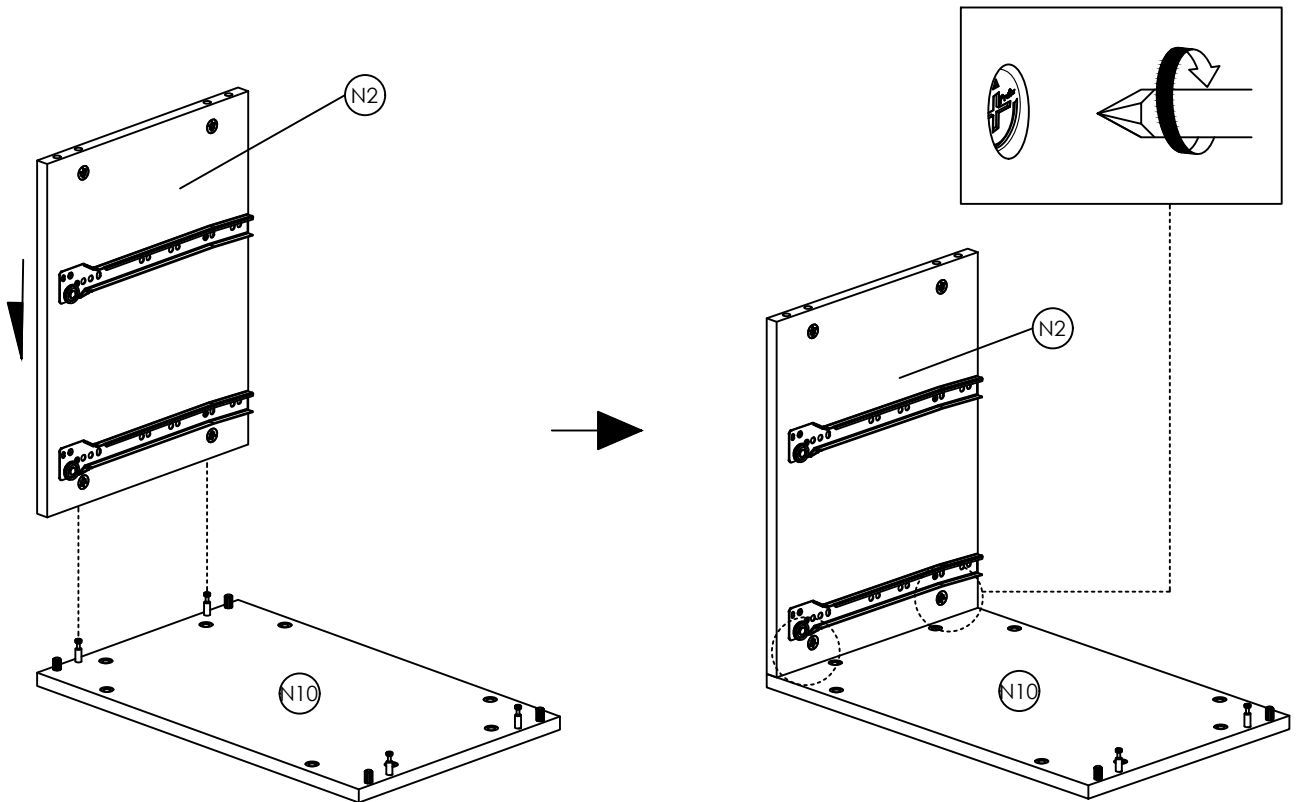
Assembled looks



ASSEMBLY INSTRUCTION

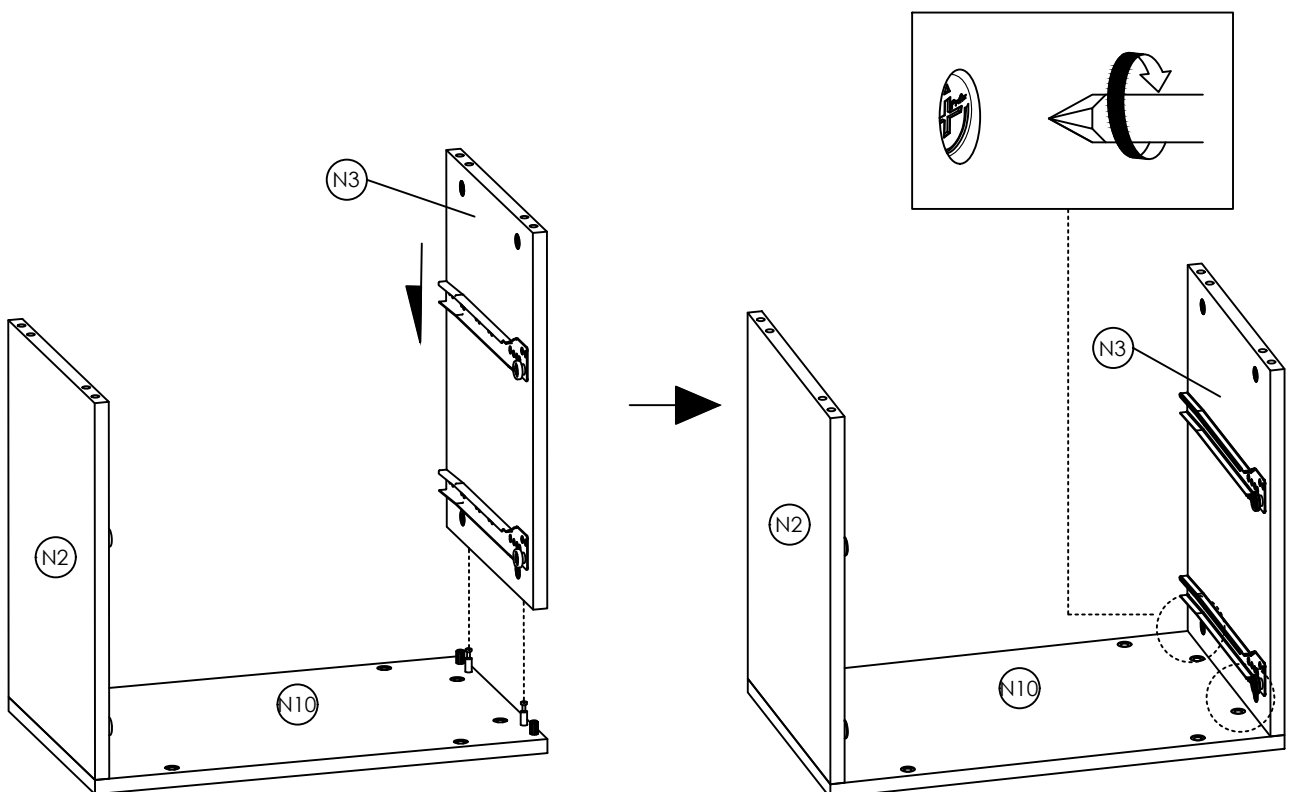
STEP 5

Combine the (N2) to the (N10) and tighten the 2 pieces (A)-(pre insert in step 1) as shown.



STEP 6

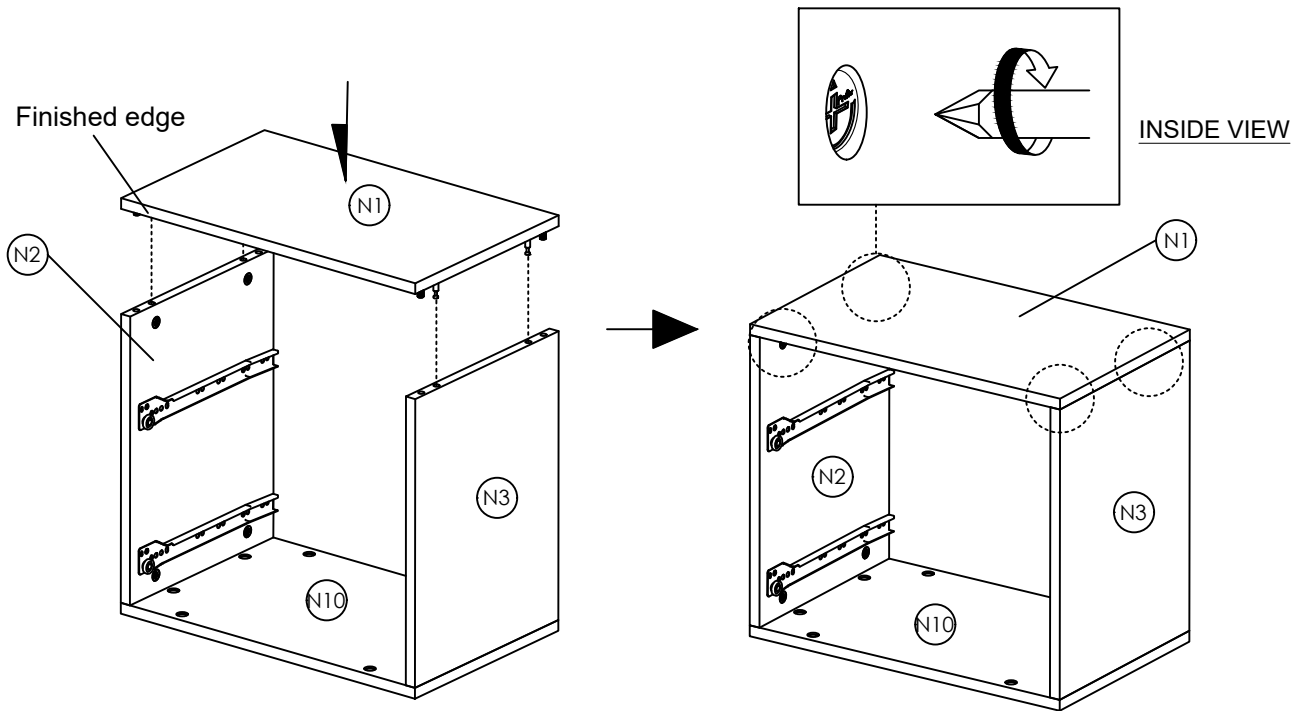
Combine the (N3) to the (N10) and tighten the 2 pieces (A)-(pre insert in step 2) as shown.



ASSEMBLY INSTRUCTION

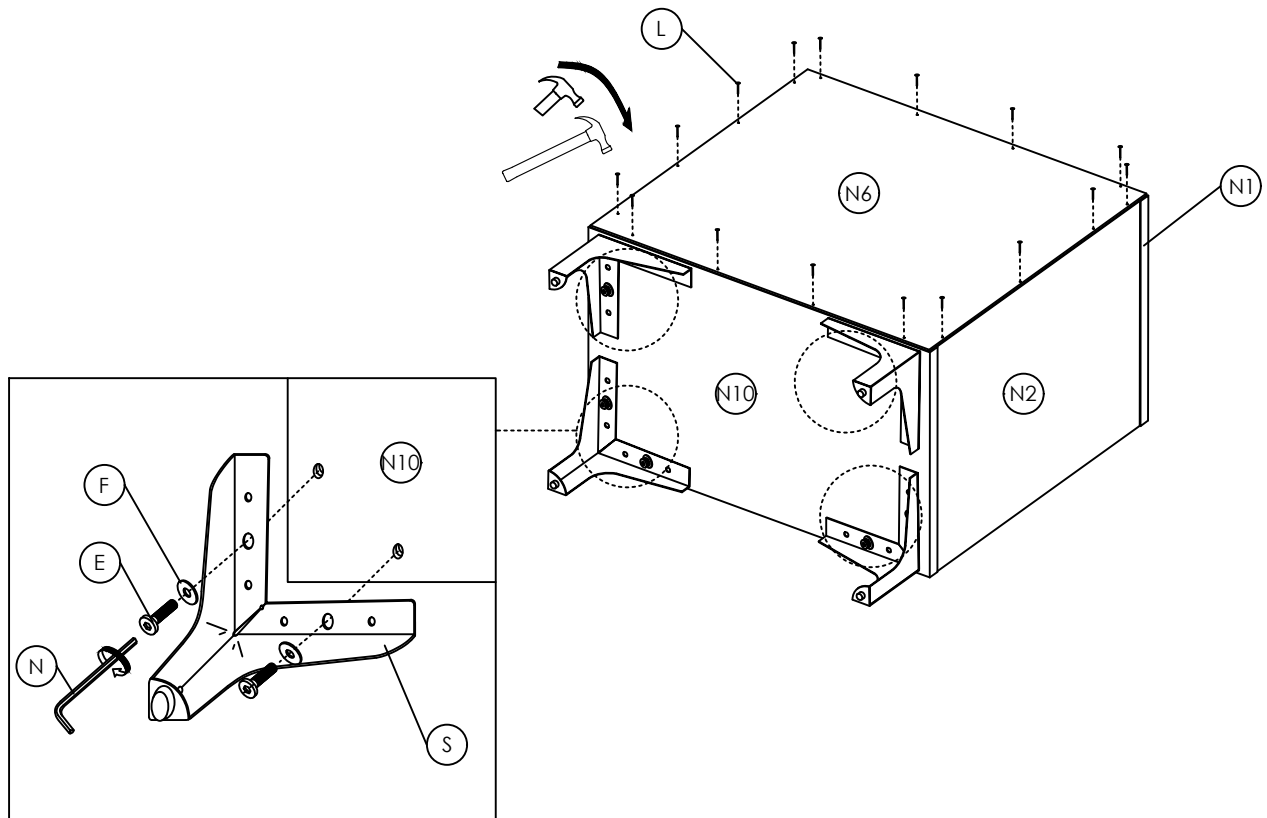
STEP 7

Combine the (N1) to the (N2) and (N3) and tighten 4 pieces (A)-(pre insert in step 1,2) as shown.



STEP 8

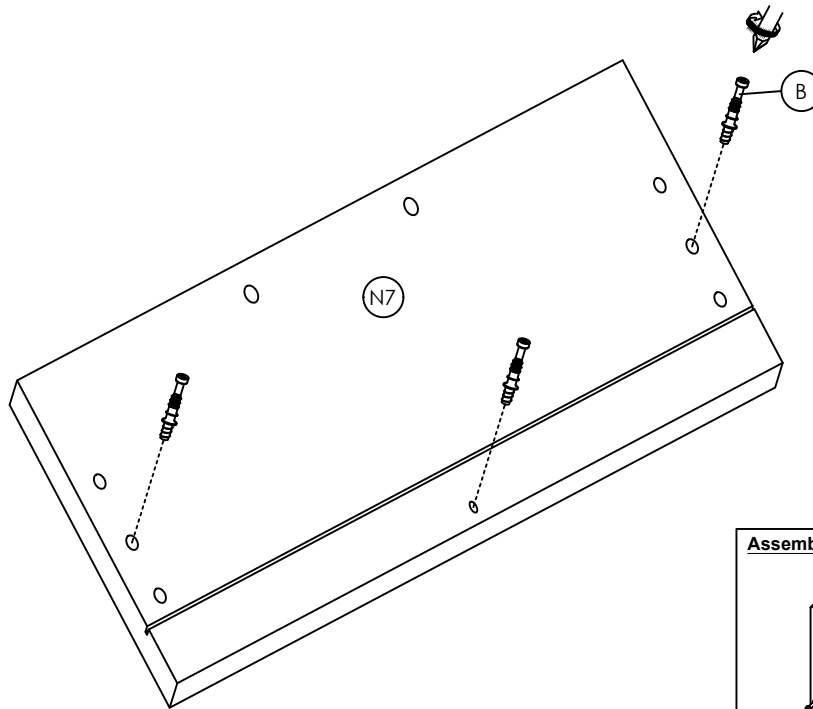
Insert 8 pieces (E) and (F) to combine the (S) to the (N10) as shown. Then, insert the 16 pieces (L) to fix the (N6) as shown. Colored paper face to outside



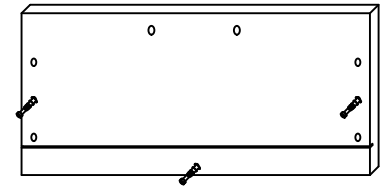
ASSEMBLY INSTRUCTION

STEP 9

Insert 3 pieces (B) to the (N7) as shown. This step needs to be **done twice**.

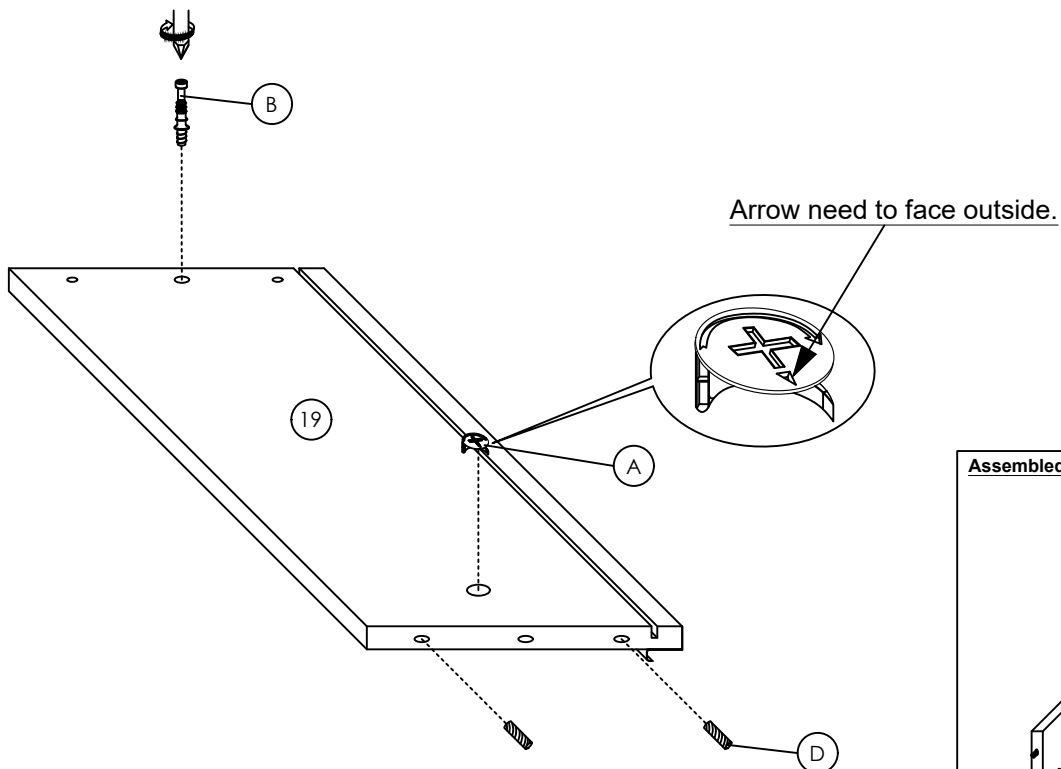


Assembled looks

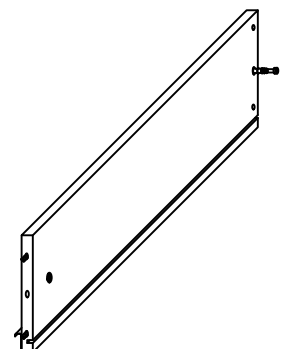


STEP 10

Insert 1 piece (A), (B) and 2 pieces (D) to (19) as shown. This step needs to be **done twice**.



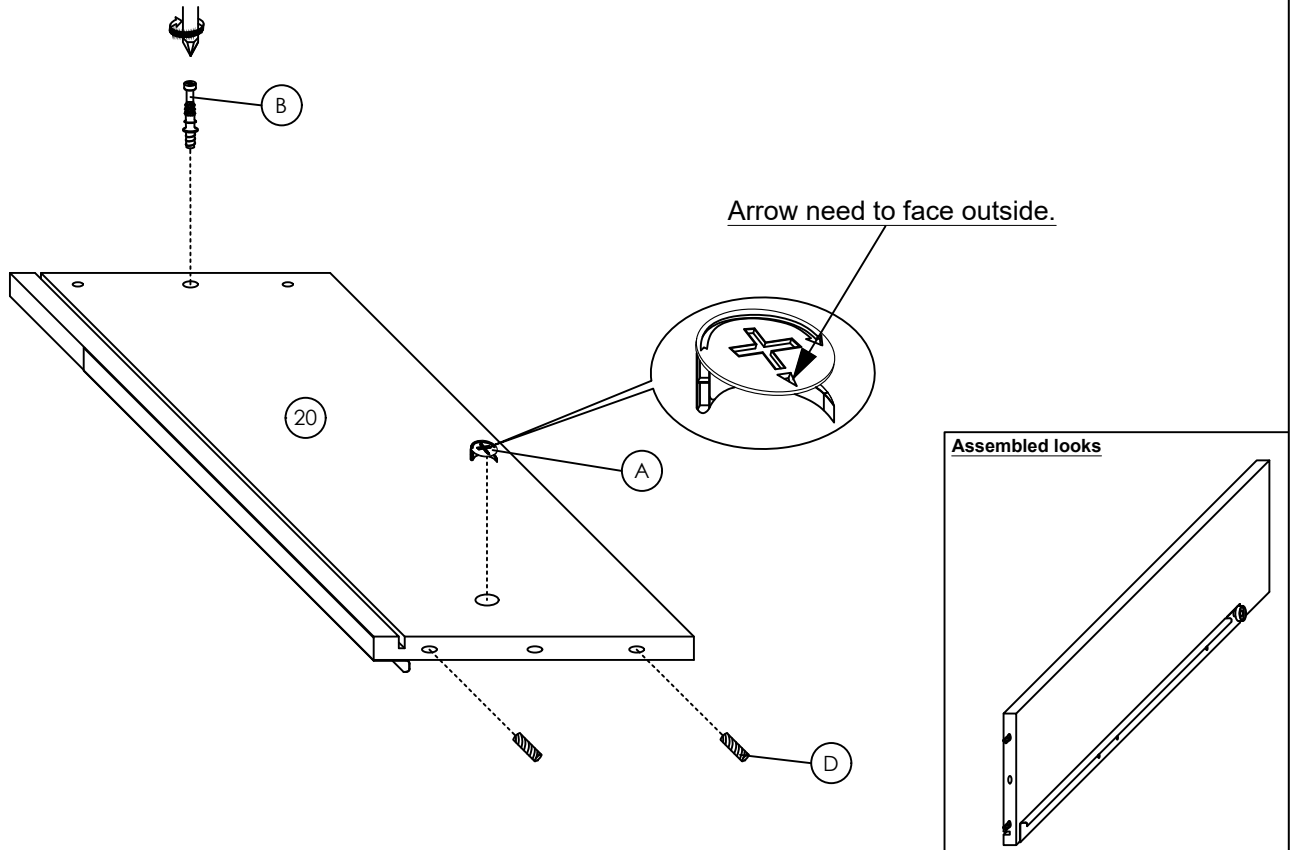
Assembled looks



ASSEMBLY INSTRUCTION

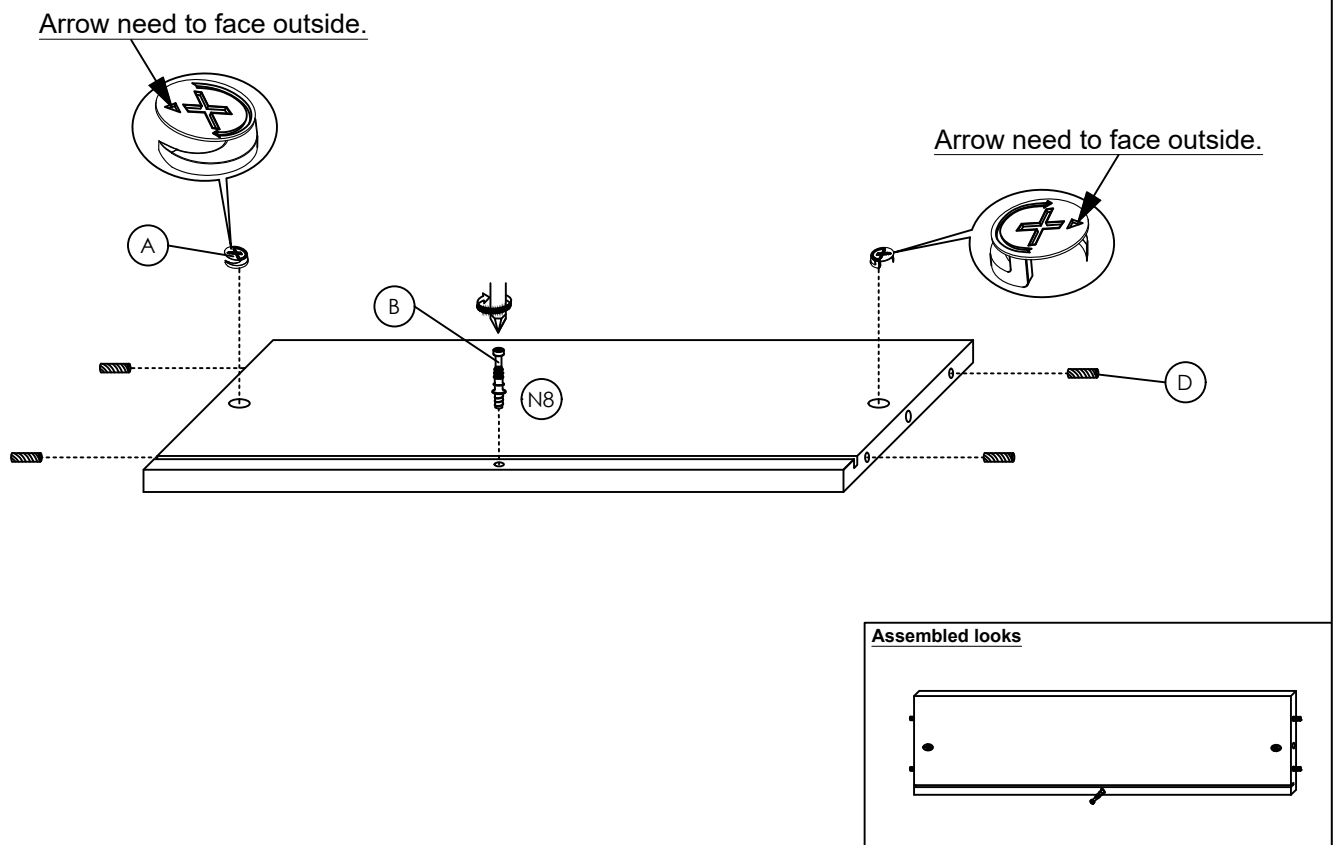
STEP 11

Insert 1 piece (A),(B) and 2 pieces (D) to (20) as shown. This step needs to be **done twice**.



STEP 12

Insert 2 pieces (A) , 1 piece (B) and 4 pieces (D) to (N8) as shown. This step needs to be **done twice**.

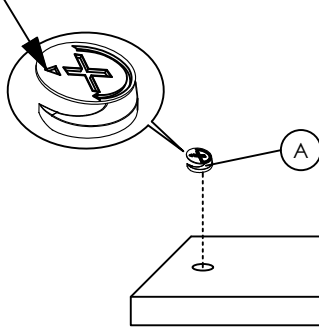


ASSEMBLY INSTRUCTION

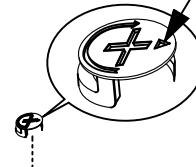
STEP 13

Insert 2 pieces (A) to (21) as shown. This step needs to be **done twice**.

Arrow need to face outside.



Arrow need to face outside.

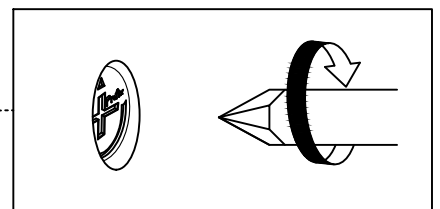
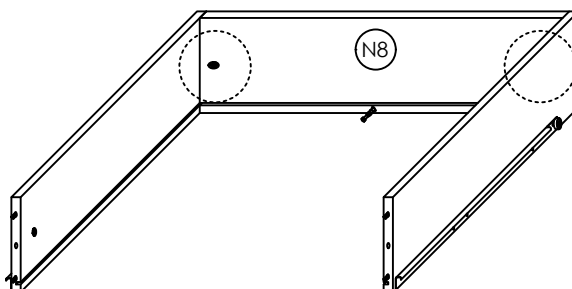
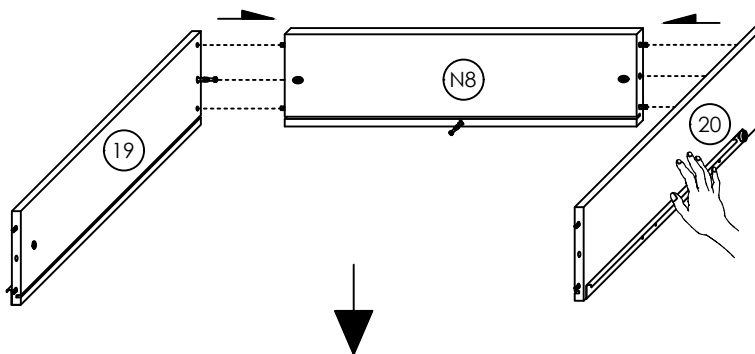


Assembled become like this



STEP 14

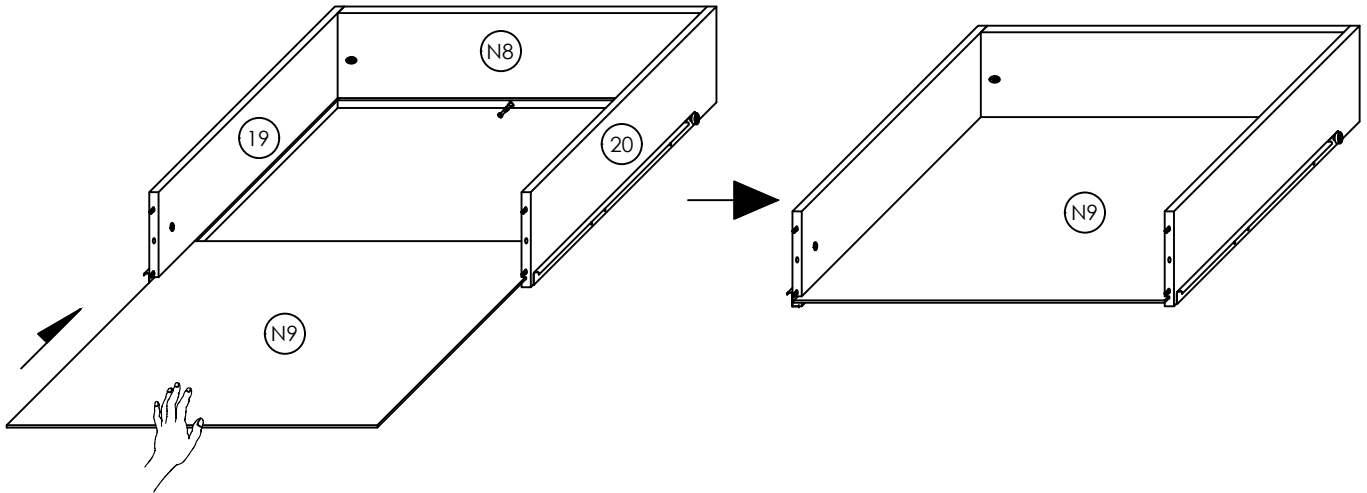
Combine the (19) and (20) to the (N8) . Then tighten the 2 pieces (A)-(pre-insert in step 12) as shown. This step needs to be **done twice**.



ASSEMBLY INSTRUCTION

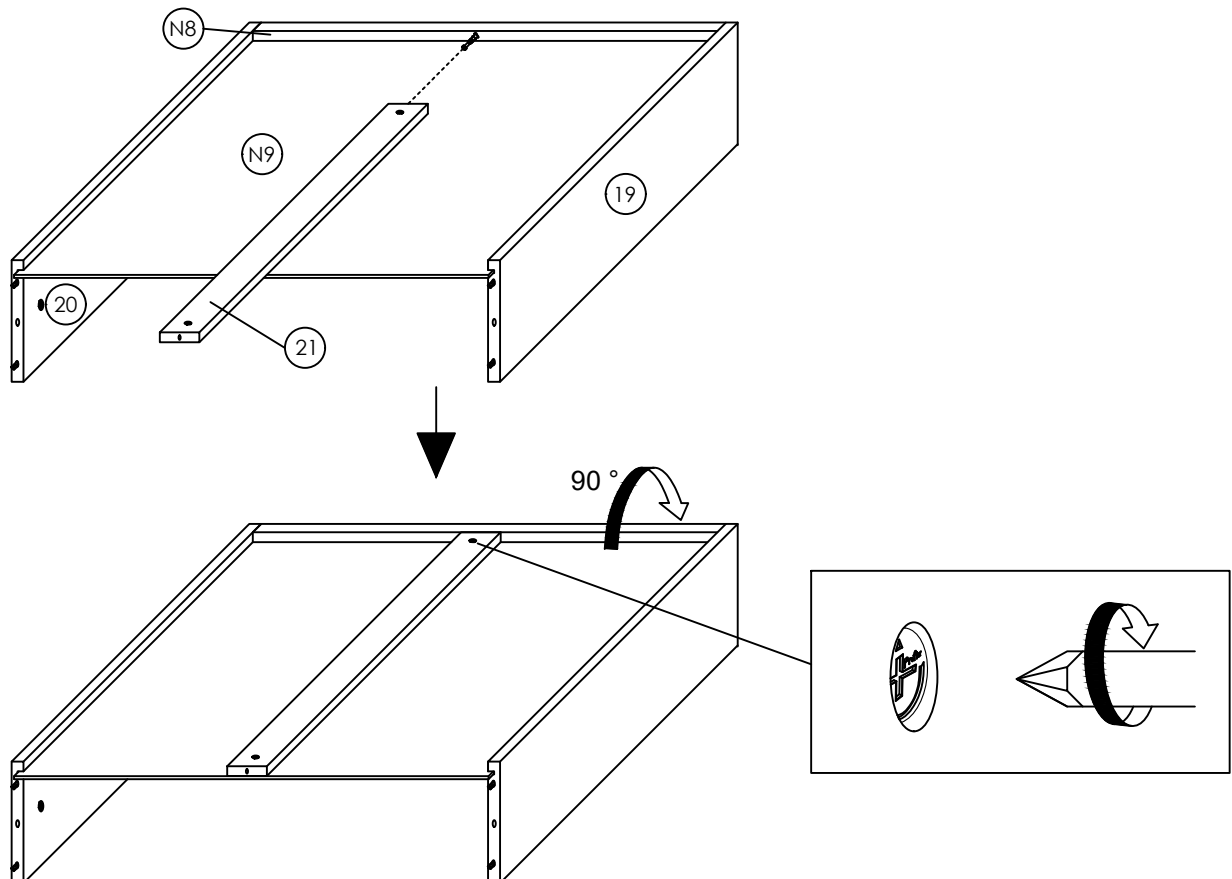
STEP 15

Put the (N9) into the gap of (19),(20) and (N8) as shown. This step needs to be **done twice**.



STEP 16

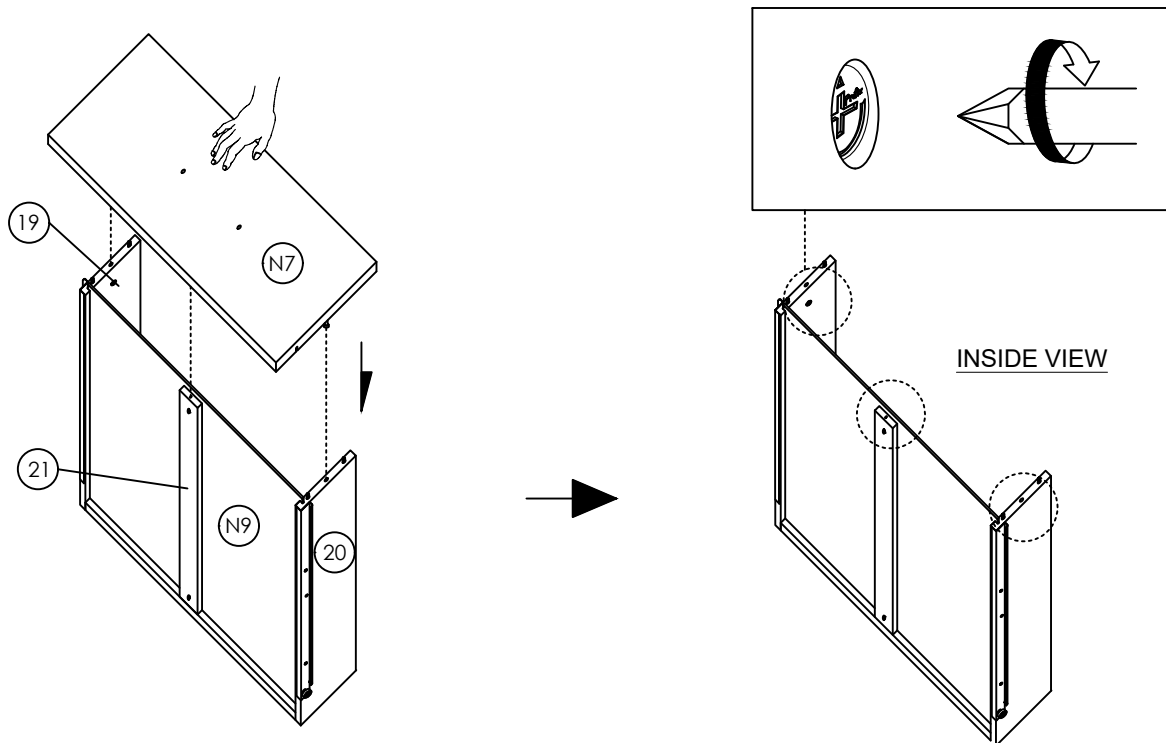
Combine the (21) to the (N8) then tighten the 1 piece (A)-(pre-insert in step 13) as shown. This step needs to be **done twice**.



ASSEMBLY INSTRUCTION

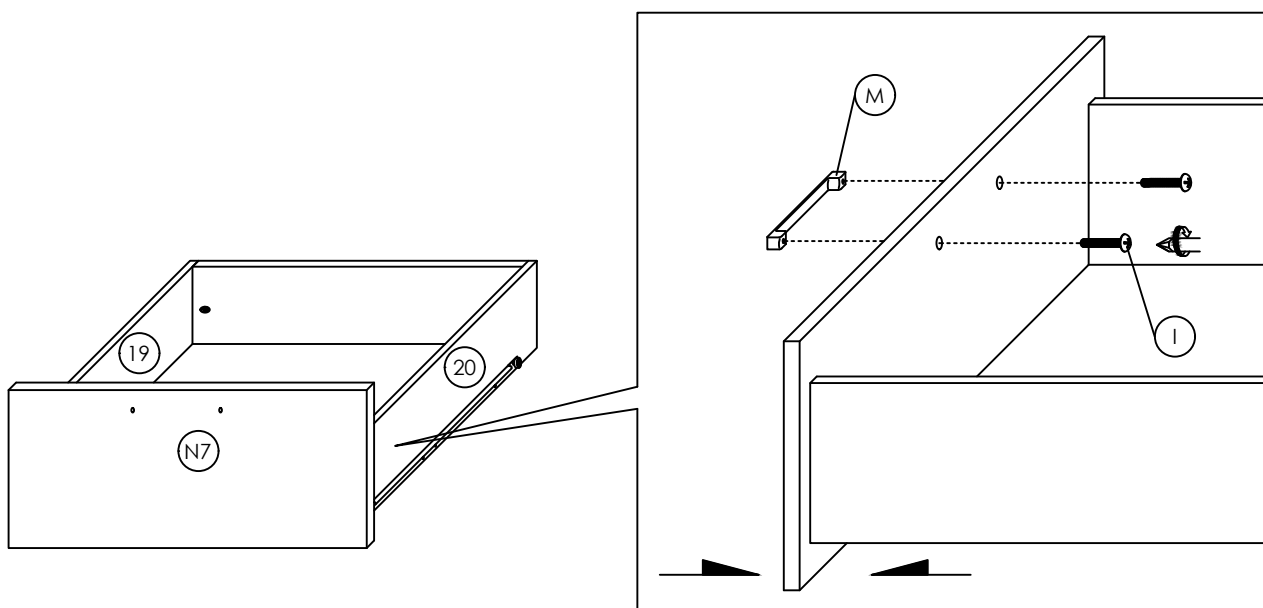
STEP 17

Combine the (N7) to the drawer frame. Then tighten the 3 pieces (A)-(pre-insert in step 10,11 and 13) as shown. This step needs to be **done twice**.



STEP 18

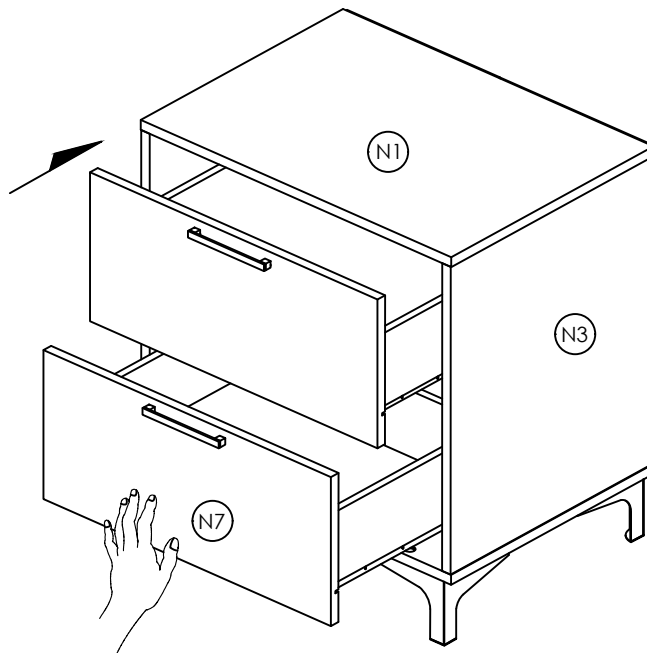
Insert 2 pieces (I) fix the (M) as shown. This step needs to be **done twice**.



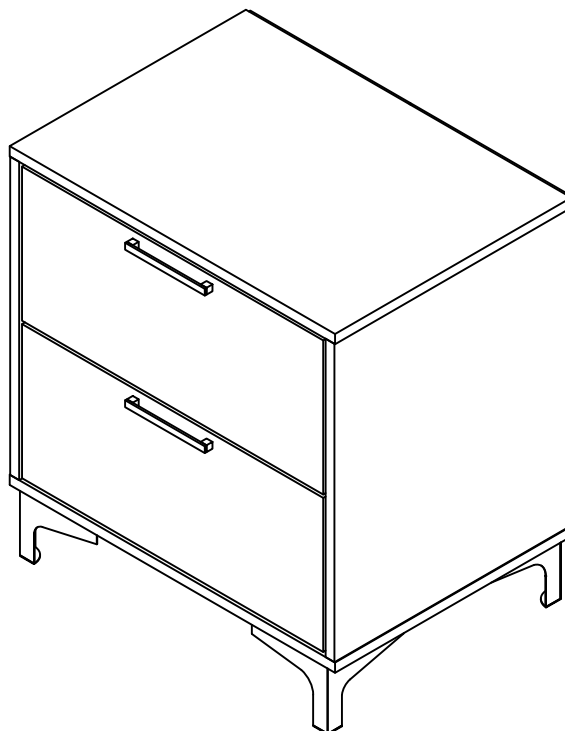
ASSEMBLY INSTRUCTION

STEP 19

Align the position then push the 2 pieces drawer to inside exactly by your hand as shown.



STEP 20



ASSEMBLY COMPLETED