



Warnings and Cautions

Please retain this instruction for future usage and read carefully before assembly.

Make sure you have all the parts & hardware as item list shows.

3 adults or more are recommended to install your Sunroom.

Do not discard any of the packaging until you have checked that you have all the parts and pack of fittings.

Check all bolts for tightness before use, and periodically check and tighten bolts ensure your gazebo works properly.

Some parts might have sharp edger/corners/Please follow basic safety precautions to reduce the risk of hurts.

Avoid installing and settling the solarium in a corridor of heavy wind.

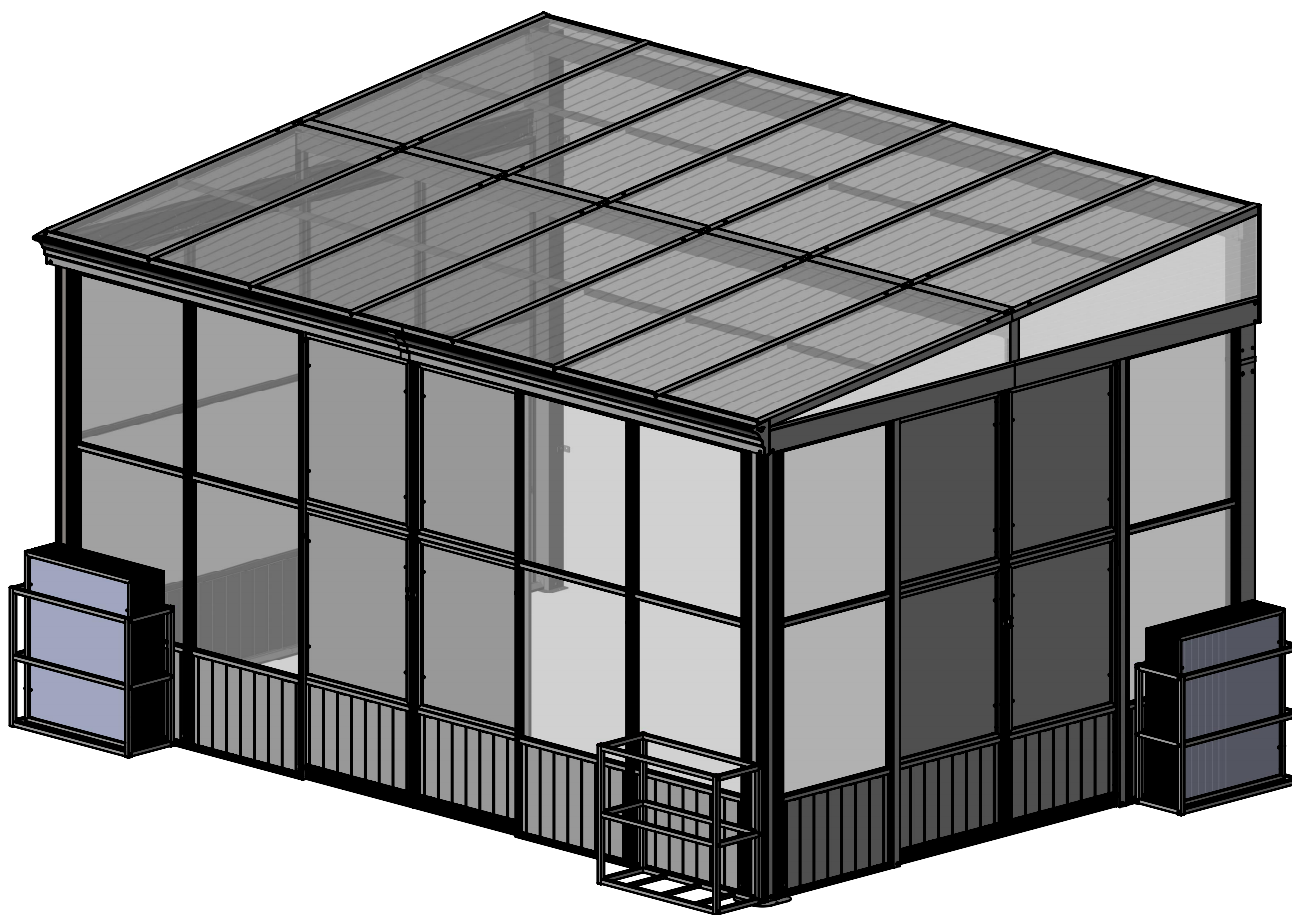
Some assembly parts contain sharp edges, you should wear protective gloves when handling these items.

For safety issues you must not leave the unit unattended if it is not completed, even if it is already anchored to the ground.

*It is essential to place the gazebo on level ground and not less than **6 feet** from any obstruction such as fences, garages, overhanging branches, laundry lines, or electrical wires.*

If you have questions or concerns.

*Please contact us via email at **service@domioutdoorliving.com***



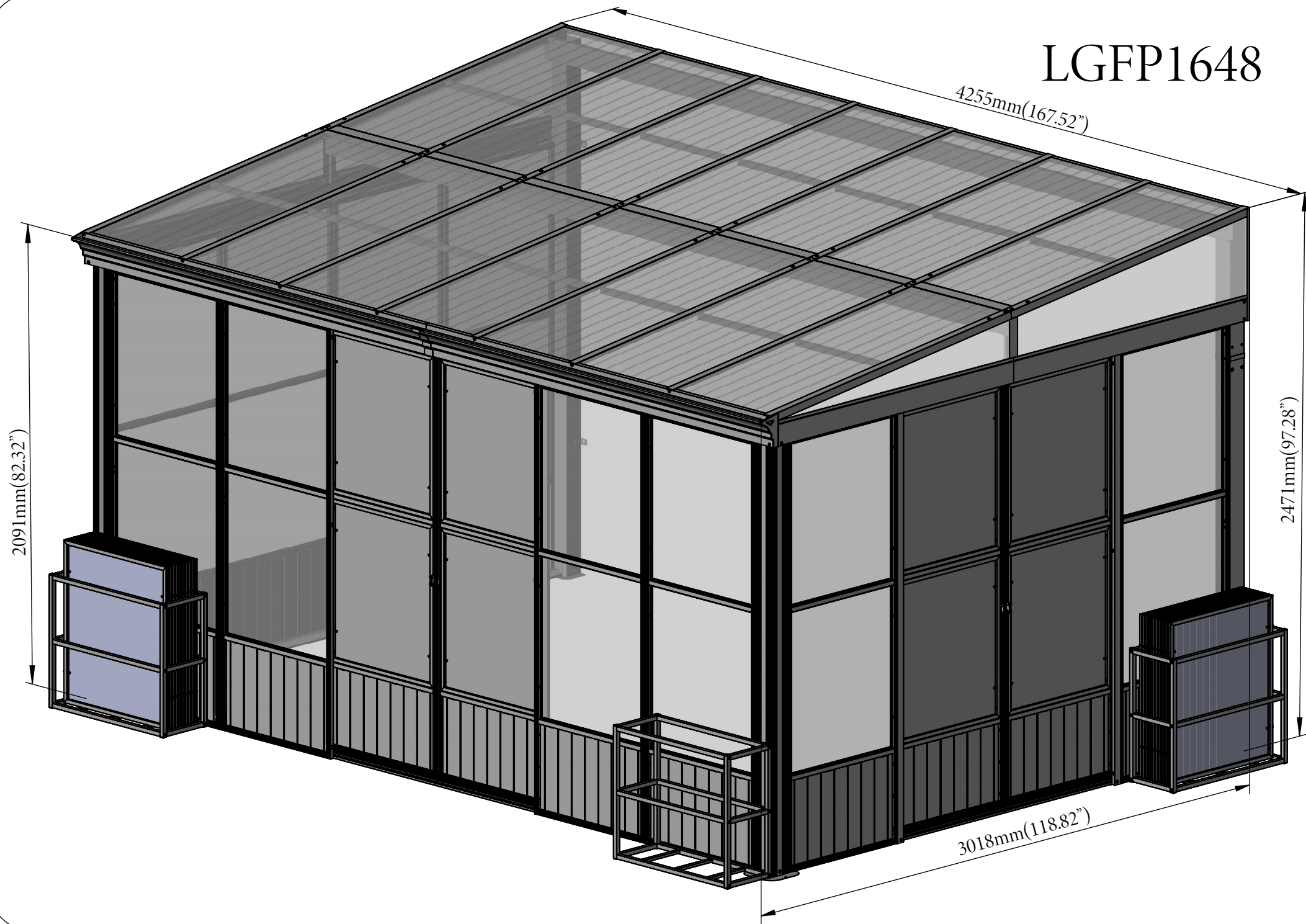
10'x14'

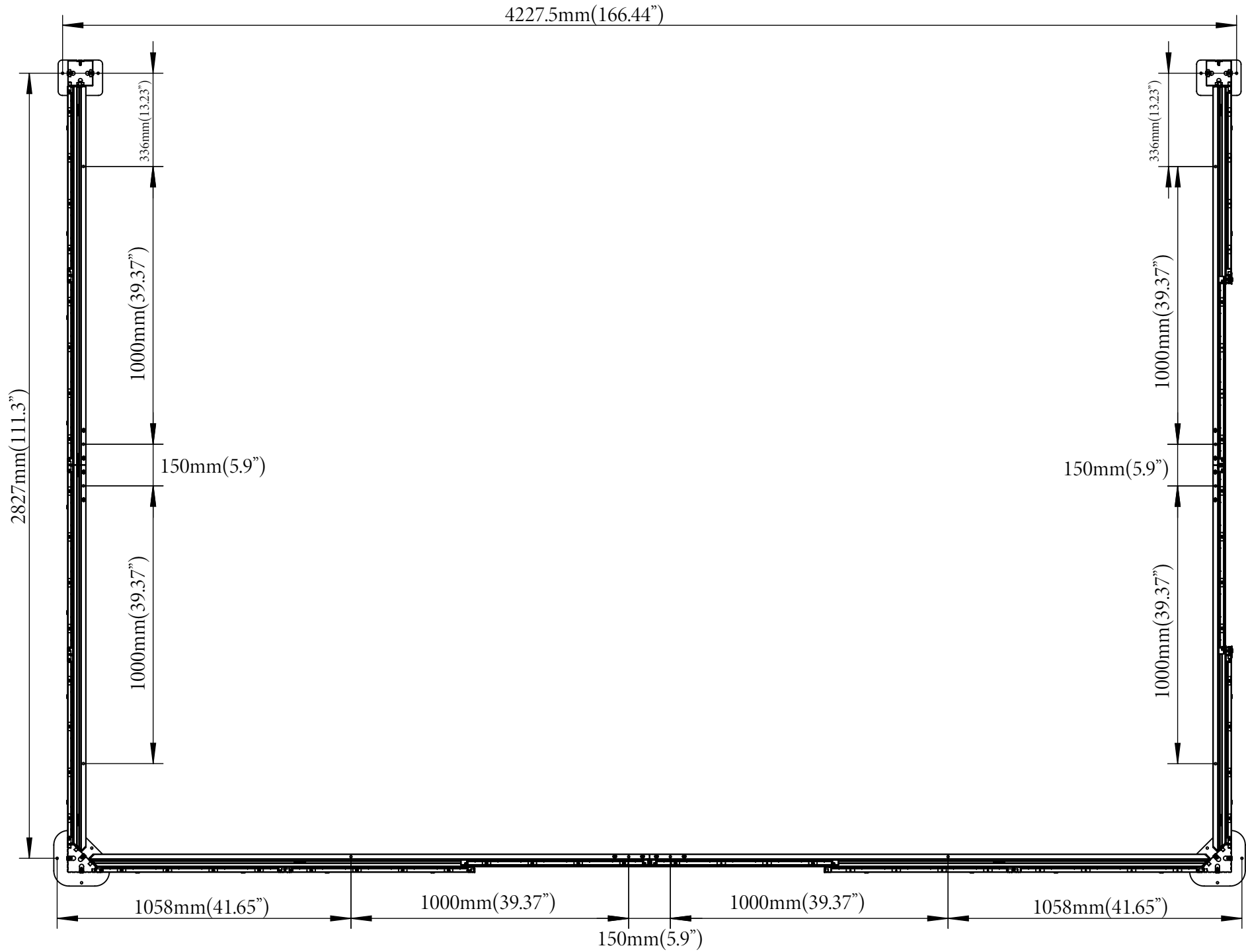
SKU: LGFP1648

Solarium Wall-Mounted
Sunroom

Assembly Manual

LGFP1648





Thank you for your purchase of
Domi outdoor living's Sunroom

Read and follow this assembly and operation guide.

To reduce personal injury and damage to you Sunroom

We recommend a **three-person team** for assembly and disassembly.

Please **remove** snow accumulation at all times.

Please schedule enough time to complete the assembly of the sunroom.

It will takes approximately 7 hours to set up.

If you like our products, please tell other customers

If you have problem with our products, please tell us

Please feel free to contact us.

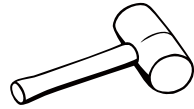
Pre-assembly

TOOLS THAT MAY BE REQUIRED (Not included in boxes)

*NOTE: Tools / equipment are not shown to actual size and scale.



LEVEL



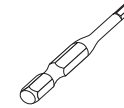
RUBBER Mallet



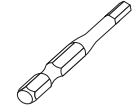
PHILLIPS SCREW



DRILL



ALLEN KEY



ALLEN KEY

EQUIPMENT REQUIRED (Not included in boxes)

*NOTE: Equipment are not shown to actual size and scale.



SAFETY HAT



GLOVES



SAFETY GOGGLES



STEPLADDER

Matters needing attention



1. Three or more people are required for assembly.



2. Do not fully tighten screws prior to complete assembly.

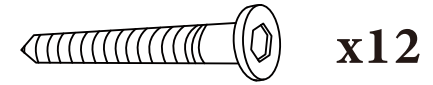
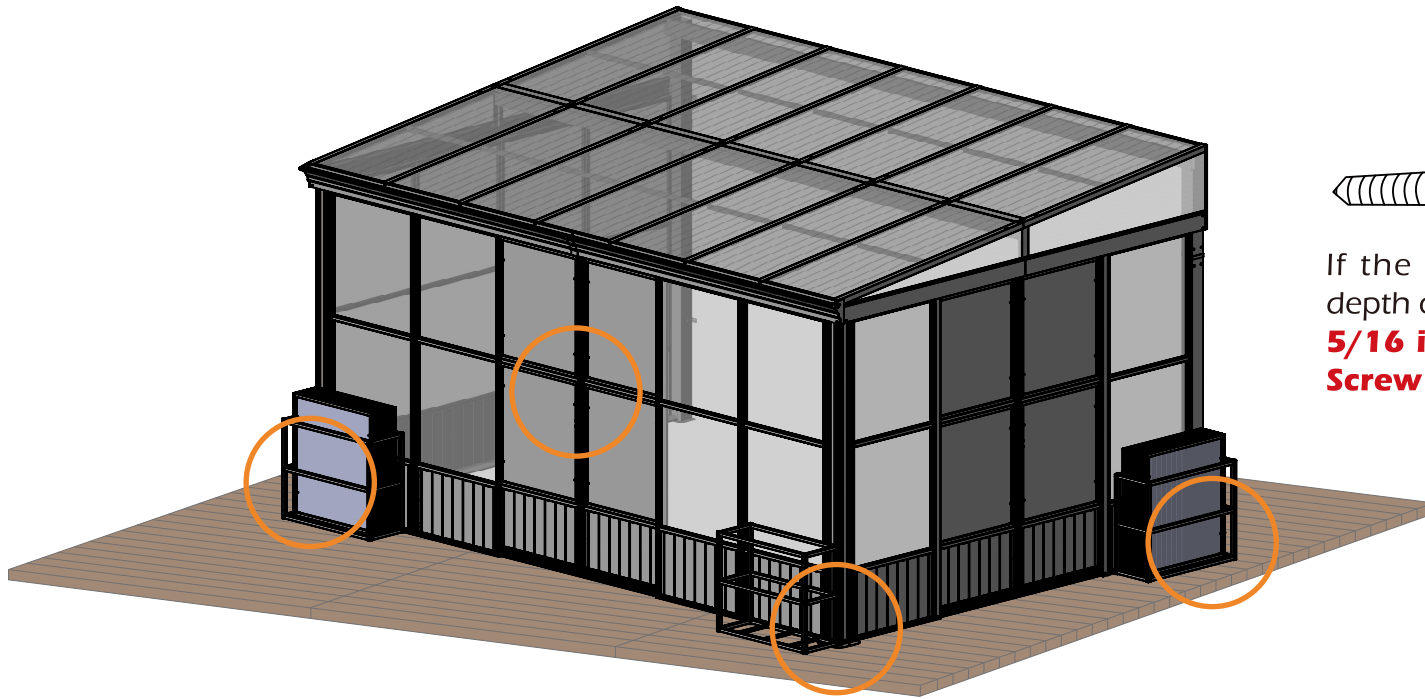
Regulation

IMPORTANT: A sunroom may entail to purchase a municipal permit or be subject to specific building codes. It is the consumer's responsibility to inform themselves of any restrictions.

Care and Cleaning:

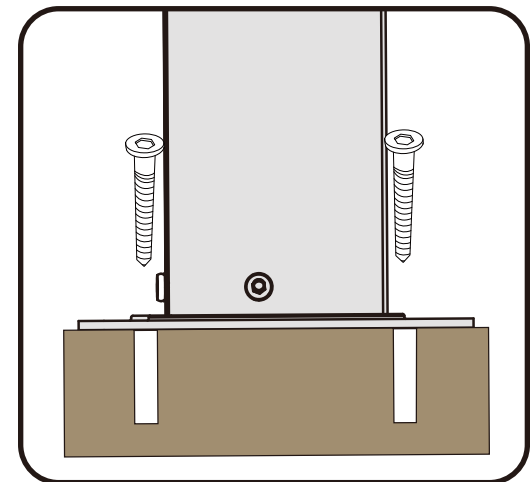
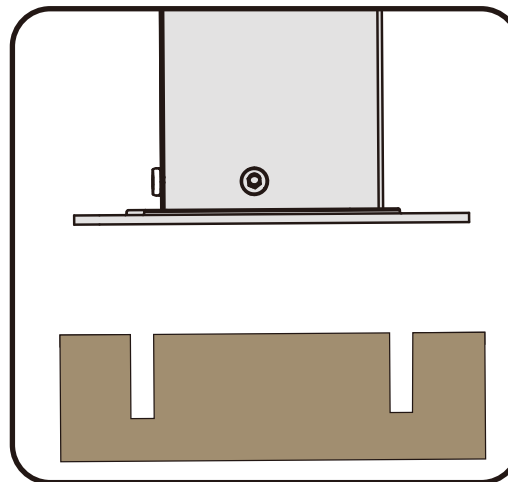
For cleaning, use a domestic soap or detergent and wash with warm water using a sponge or fabric. Rinse with clean water.

1

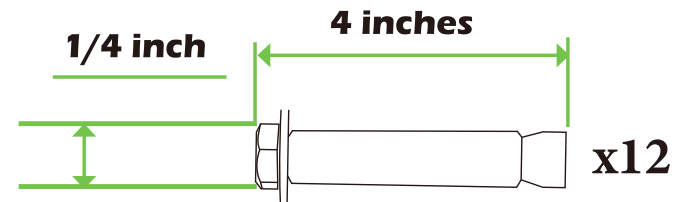
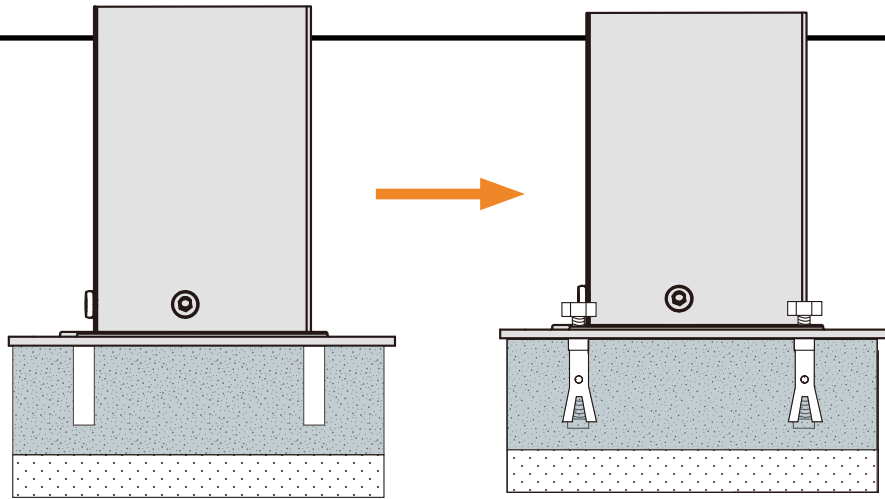


x12

If the deck is hard wood and the depth of it is over 3 inch, you can use **5/16 in. x4 in. Structural Wood Screw** to mount the pergola.

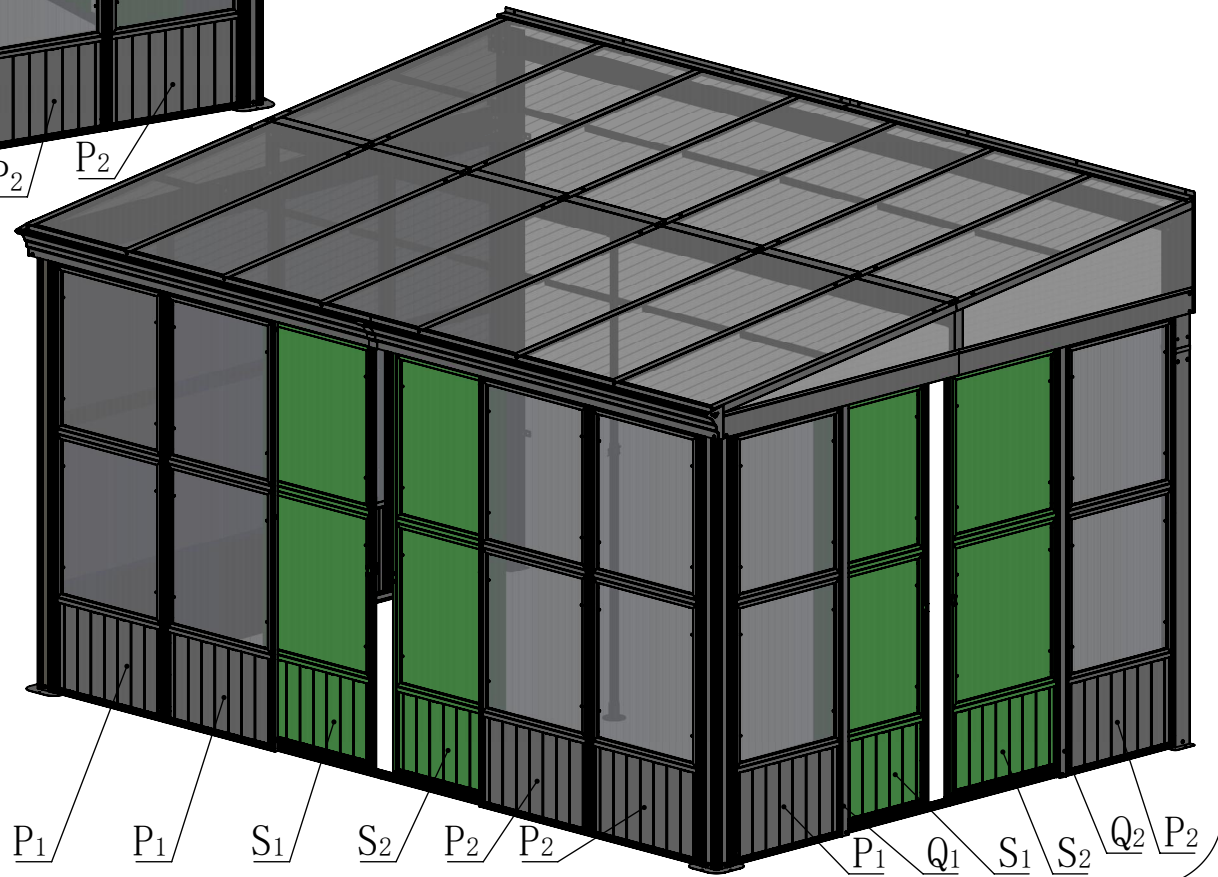
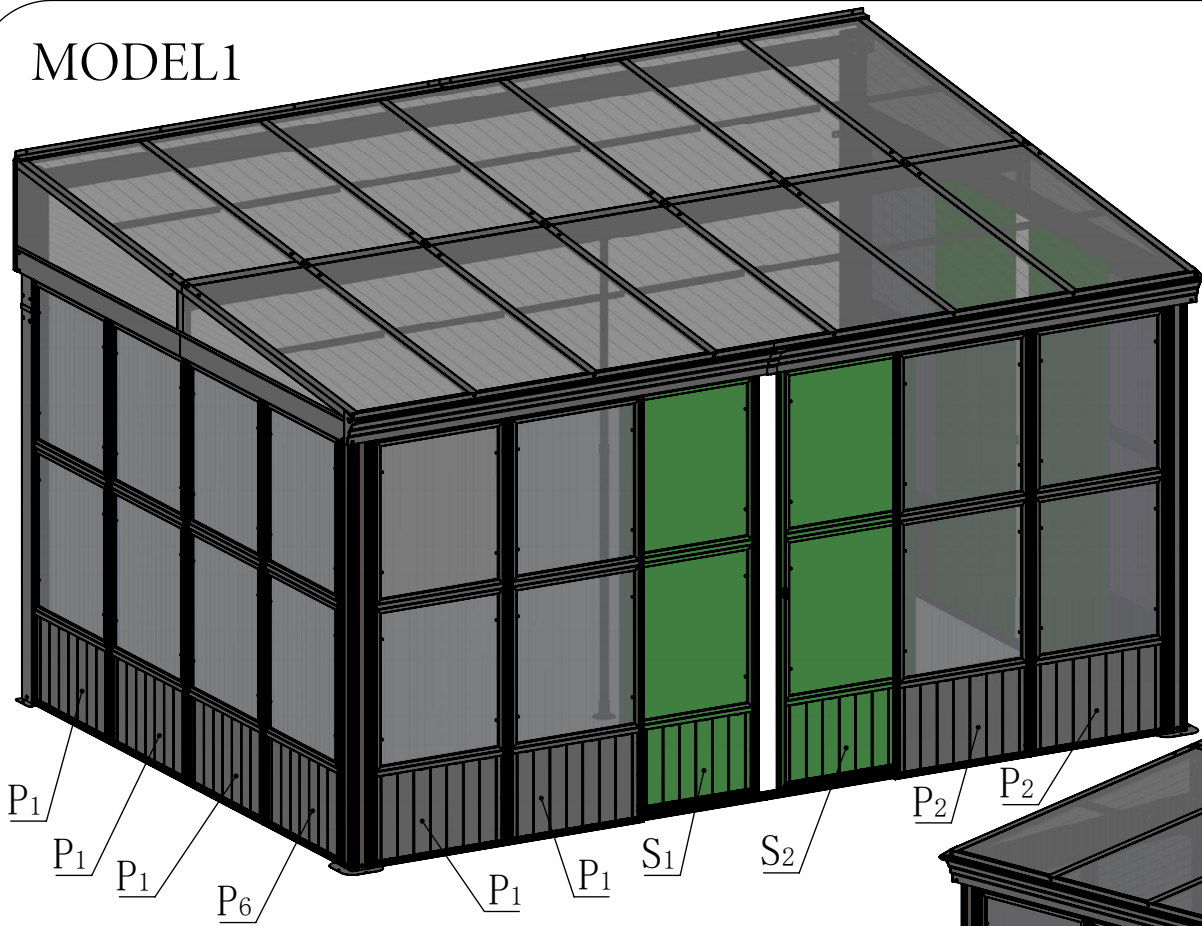


2



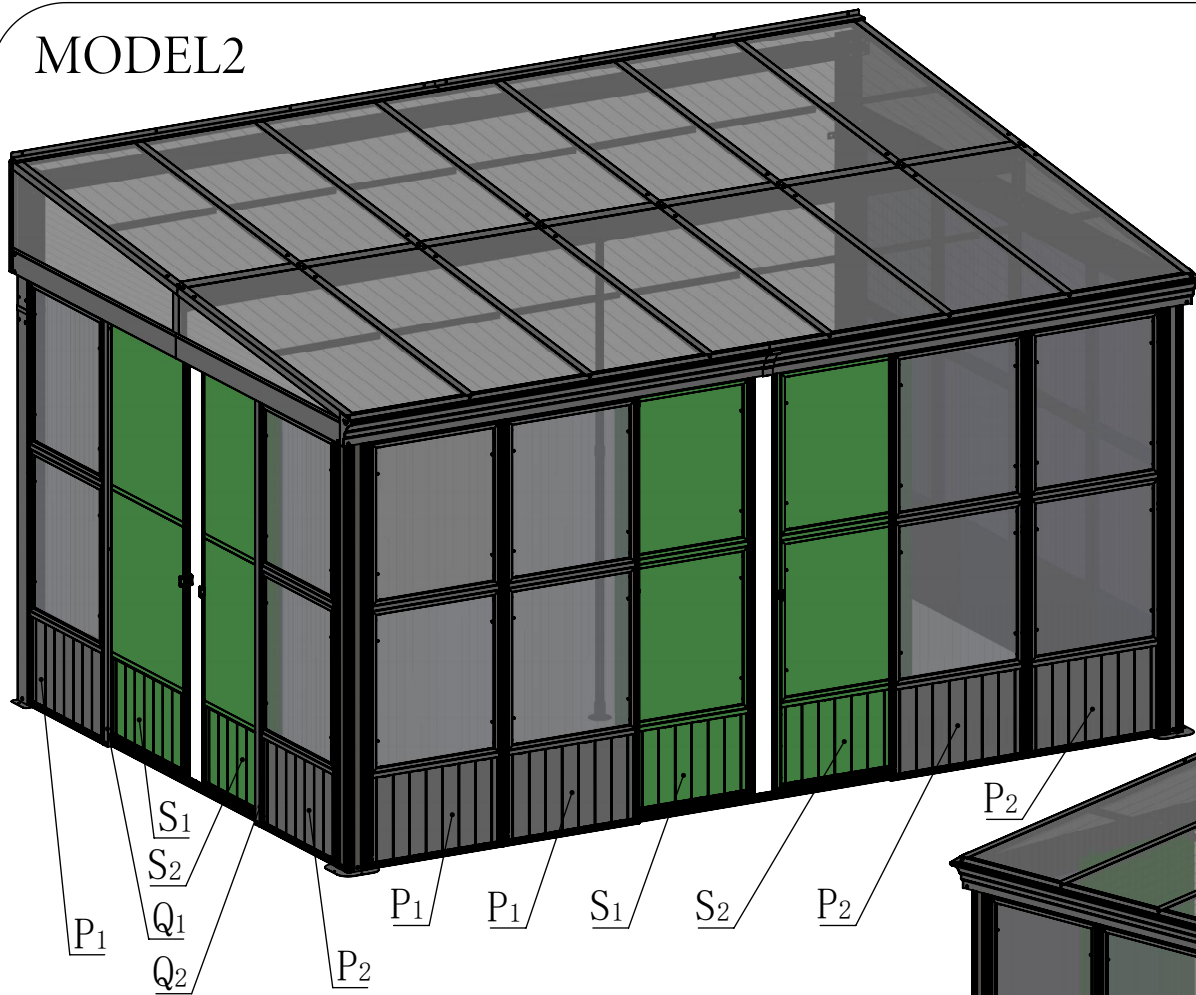
If the ground is concreted and the depth of it is over 3 inch, you can use 1/4 inch expansion bolts to mount the pergola

MODEL1

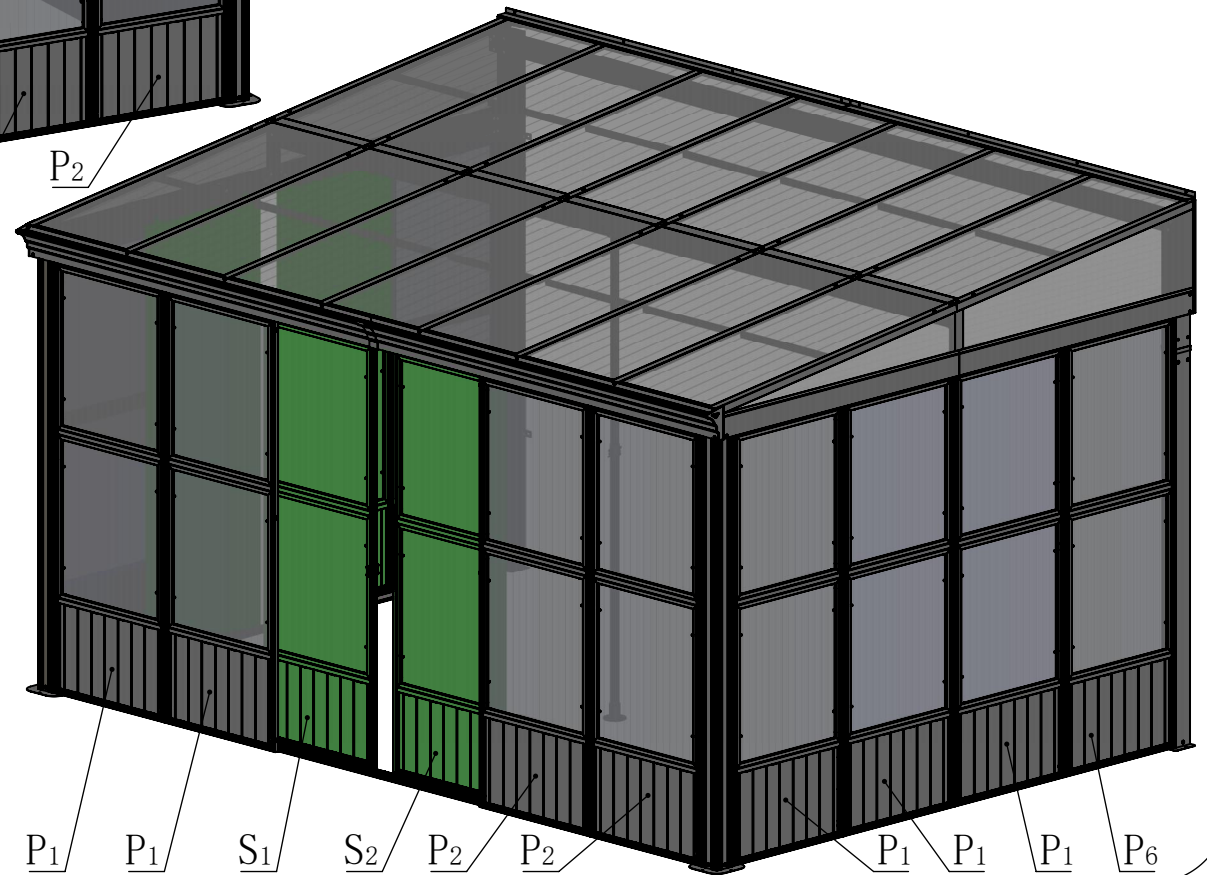


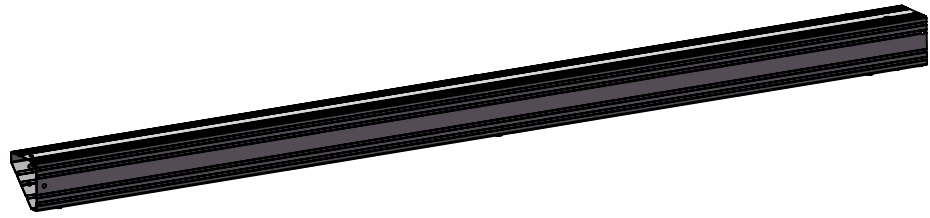
Attention: There are two options for opening the side door of this sunroom. And the subsequent assembly steps are based on **Model 1 (right side door)** in this manual.

MODEL2

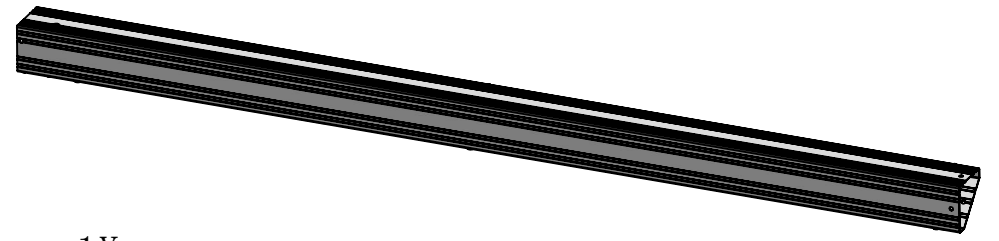


Attention: Side doors can be mounted on the left or right side. And you need to make adjustments if you want to assemble based on **Model 2 (left side door)**
Adjustment 1: Install 2 screws (#4) less in the middle of the original left side beam (C1/C2), install them when subsequently assembling the sliding door track.
Install 2 screws (#4) more in the middle of the original right side beam (D1/D2).
Adjustment 2: install 3 square nuts (#24) in the track (O4), and install 3 square nuts (#24) in the track (O5). Install 4 square nuts (#24) in the track (O6), and install 4 square nuts (#24) in the track (O7).
(Adjustment 1 and Adjustment 2 will also be explained during installation.)
Adjustment 3: Screens and sliding doors are assembled in the positions shown here.

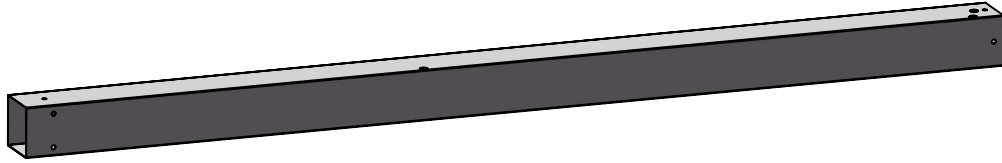




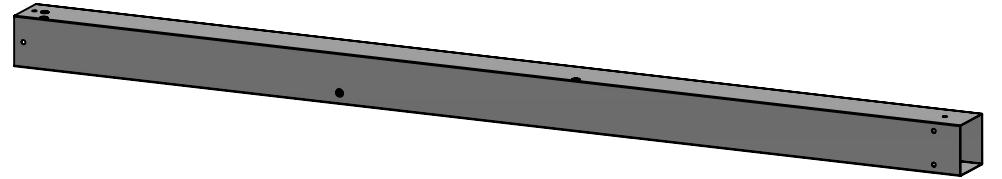
A1 1X



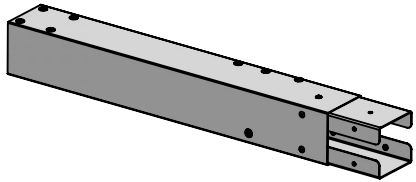
A2 1X



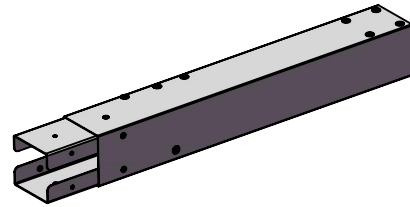
A3 1X



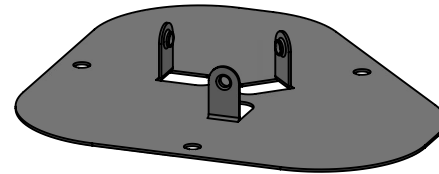
A4 1X



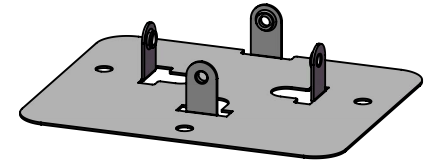
A5 1X



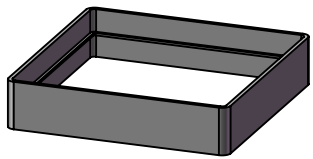
A6 1X



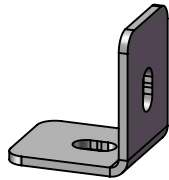
A7 2X



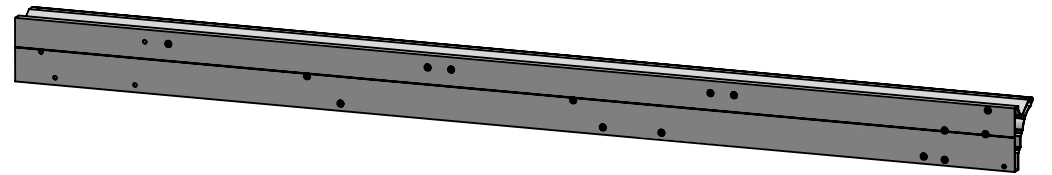
A8 2X



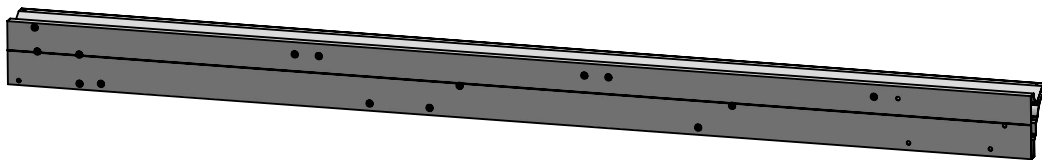
A9 2X



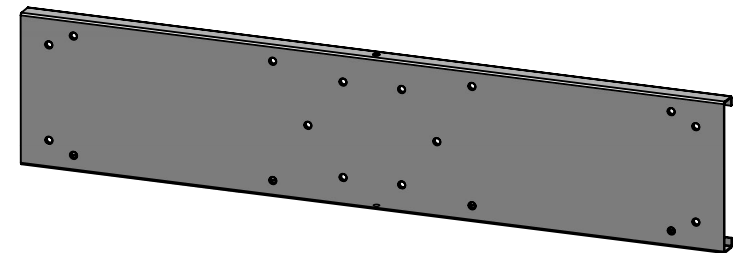
A10 4X



B1 1X

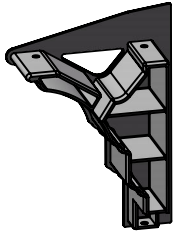


B2 1X

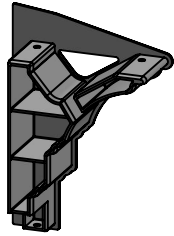


B3 1X

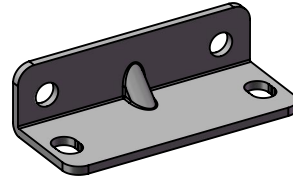
B4 1X



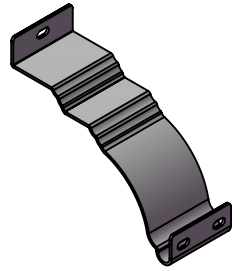
B5 1X



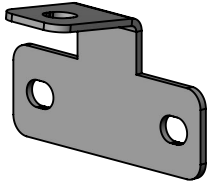
B6 6X



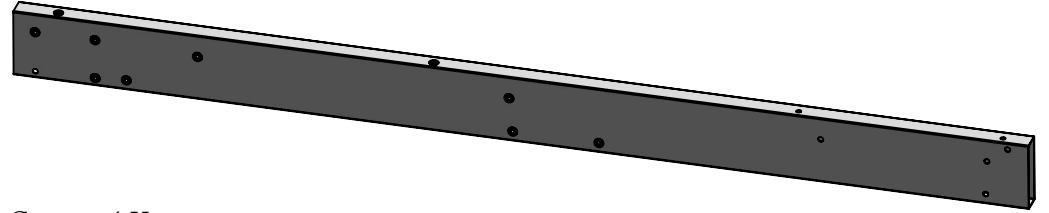
B7 1X



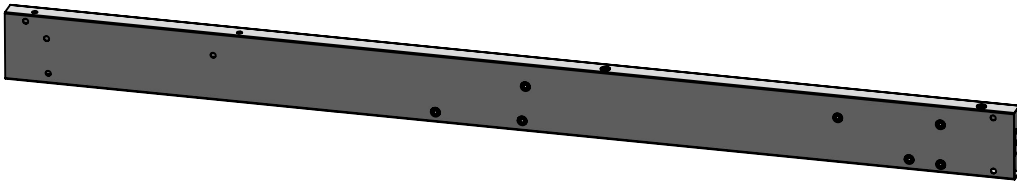
B8 18X



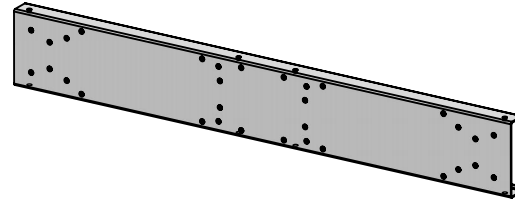
C1 1X



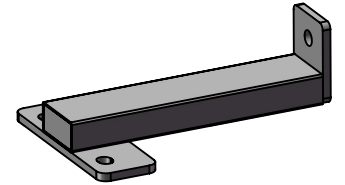
C2 1X



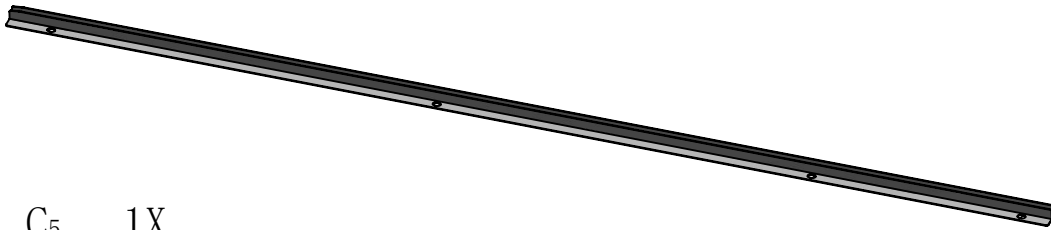
C3 4X



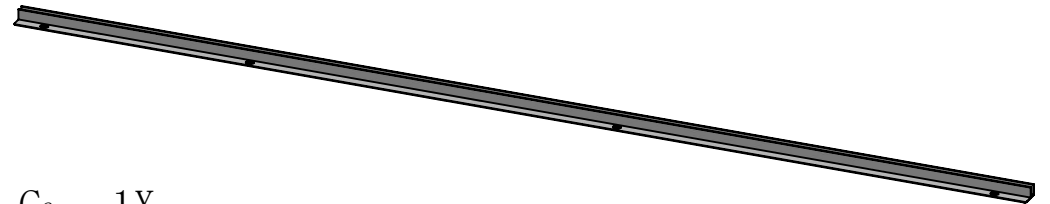
C4 2X



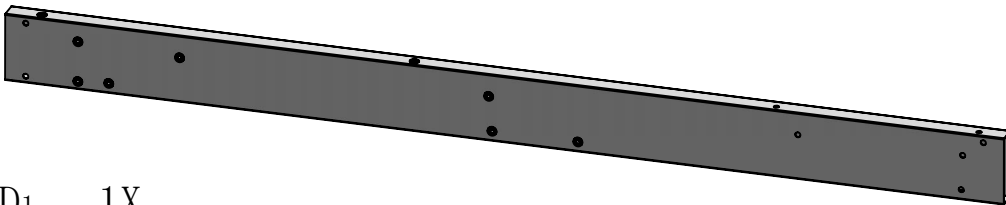
C5 1X



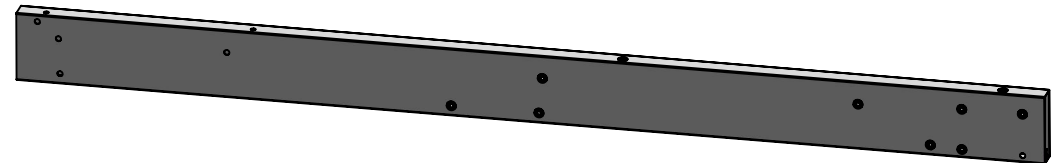
C6 1X

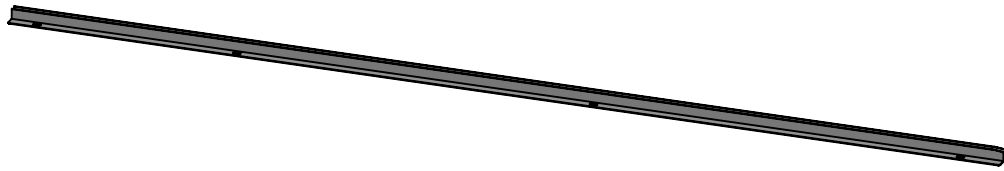


D1 1X

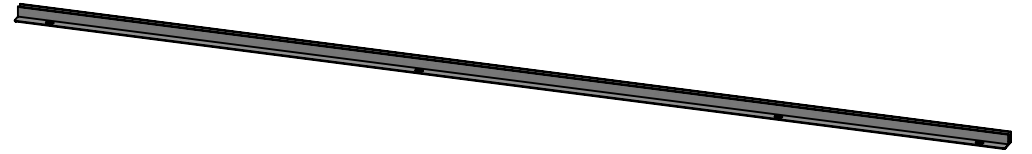


D2 1X

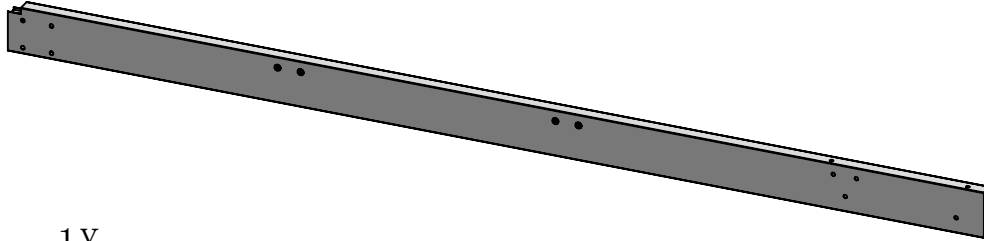




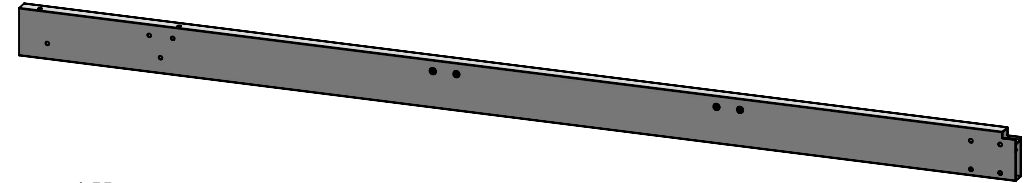
D₃ 1X



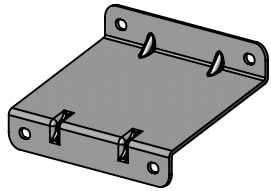
D₄ 1X



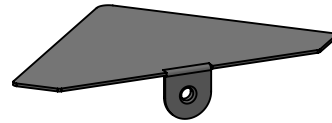
E₁ 1X



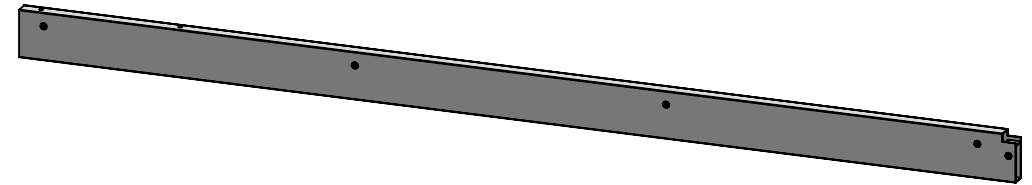
E₂ 1X



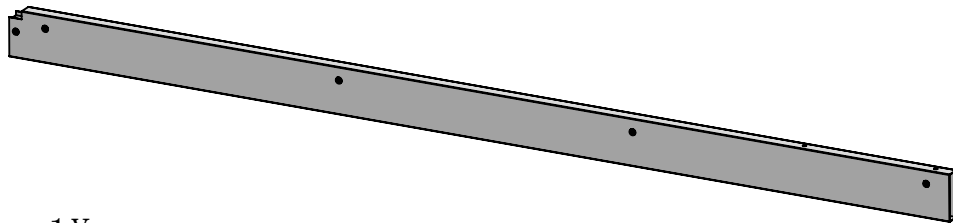
E₃ 1X



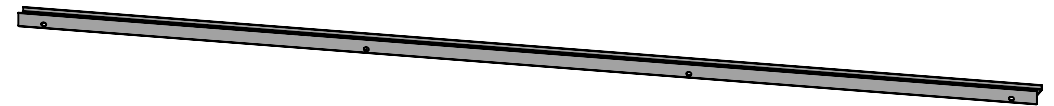
E₄ 2X



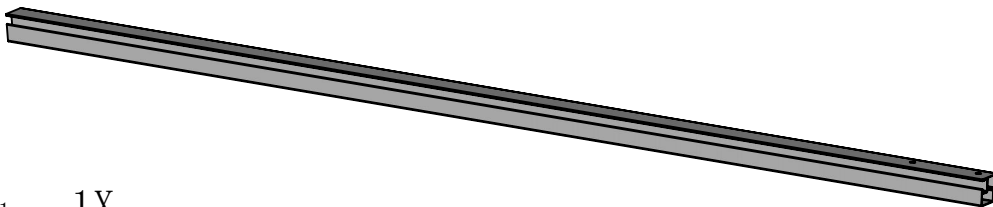
F₁ 1X



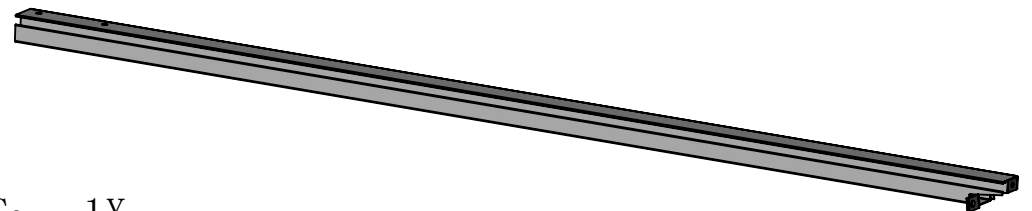
F₂ 1X



F₃ 2X

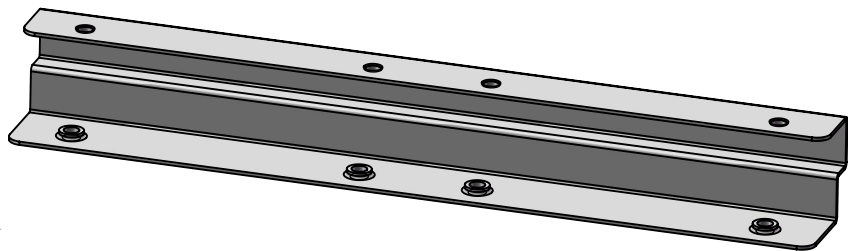


G₁ 1X

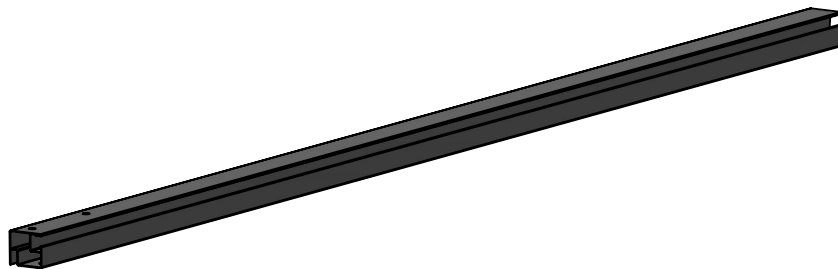


G₂ 1X

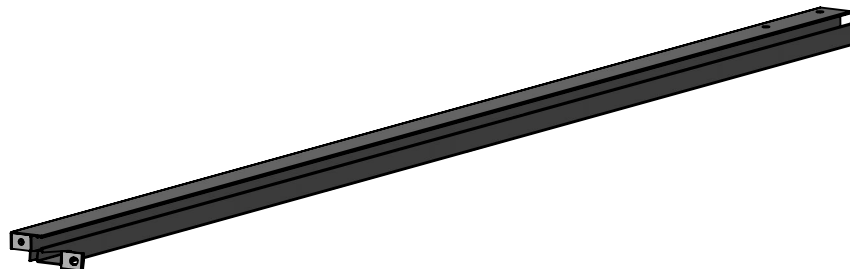
G₃ 2X



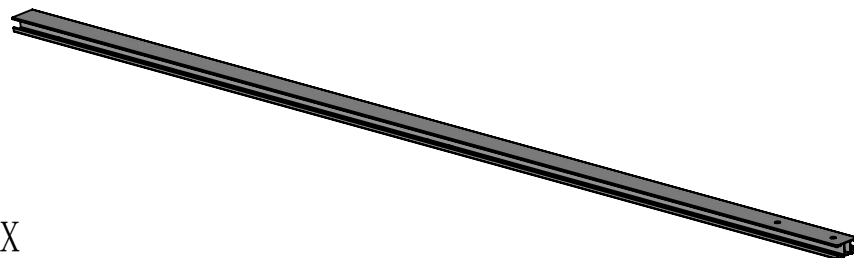
G₄ 1X



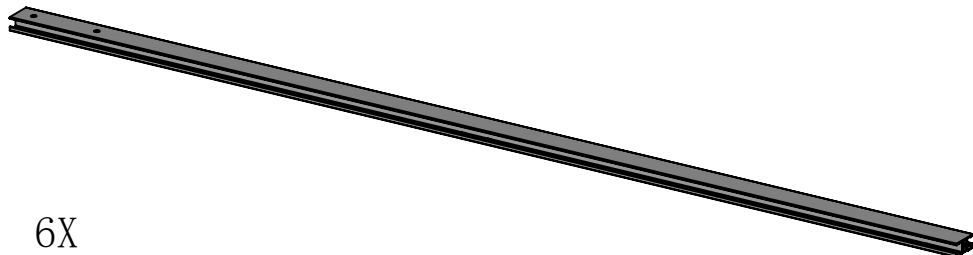
G₅ 1X



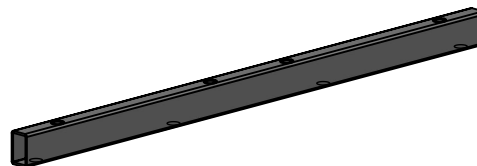
G₆ 6X



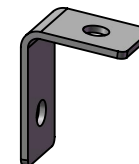
G₇ 6X



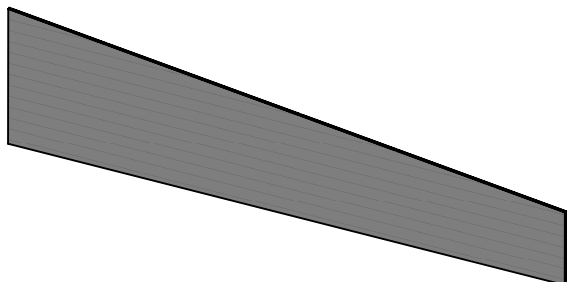
G₈ 6X



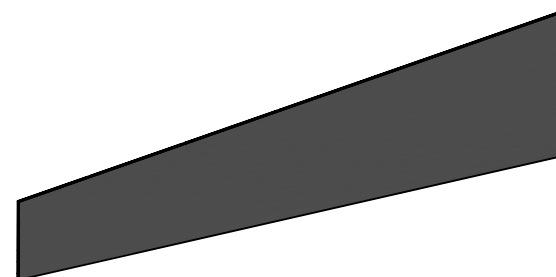
G₉ 4X



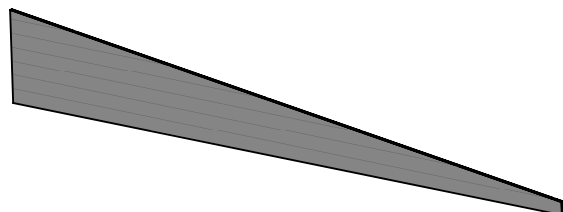
H₁ 1X



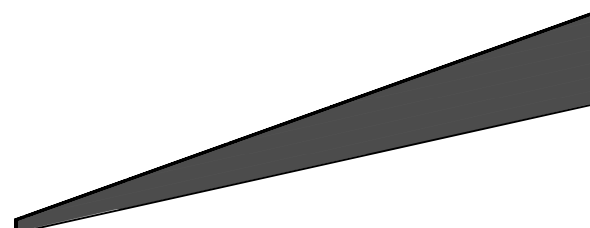
H₂ 1X

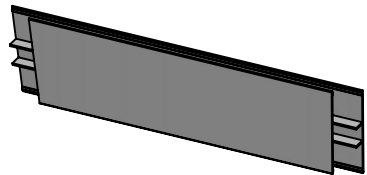


H₃ 1X

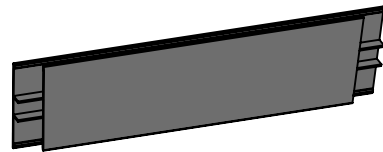


H₄ 1X

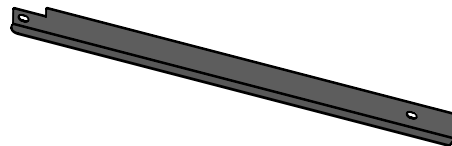




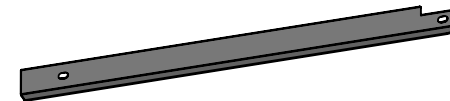
H₅ 1X



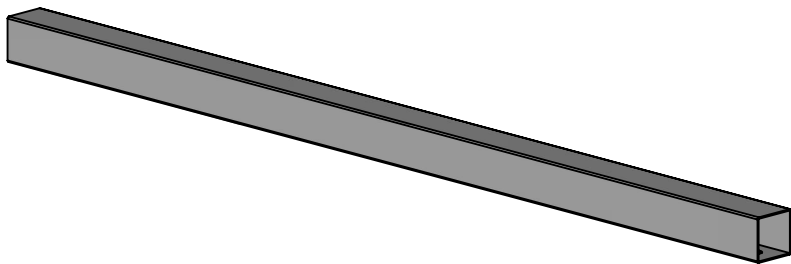
H₆ 1X



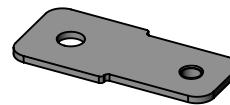
H₇ 1X



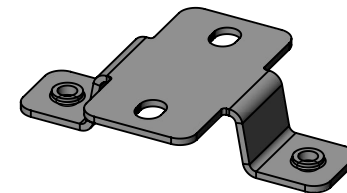
H₈ 1X



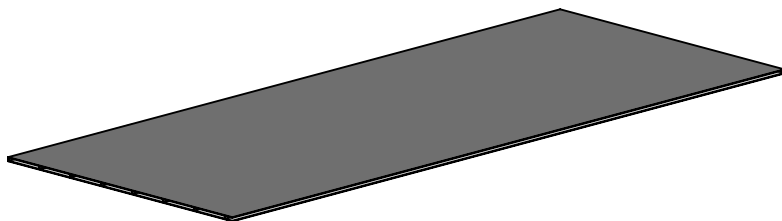
J₁ 14X



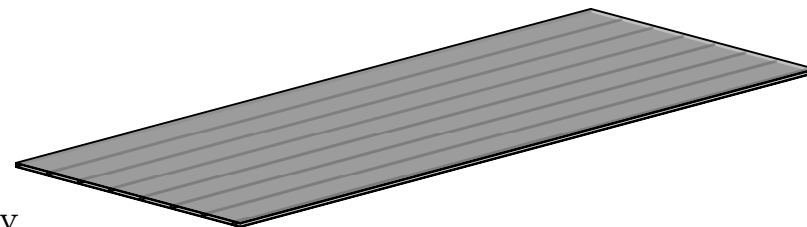
J₂ 4X



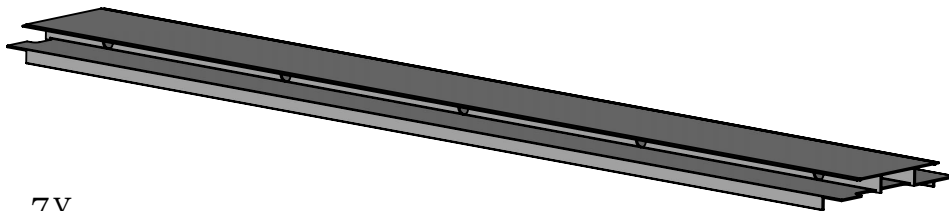
J₃ 12X



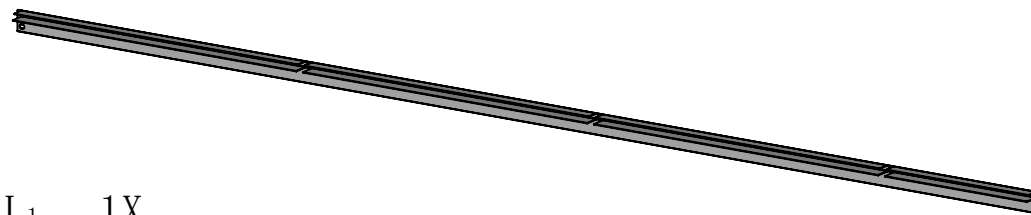
K₁ 7X



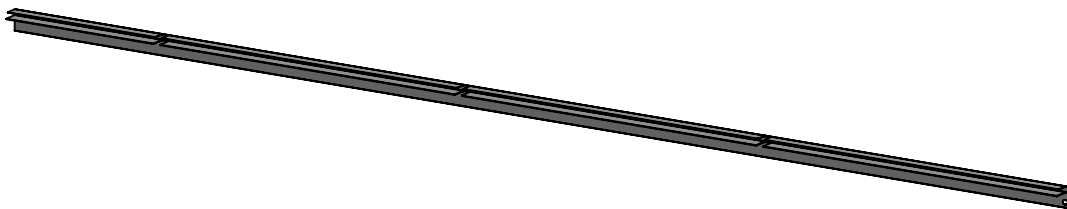
K₂ 7X



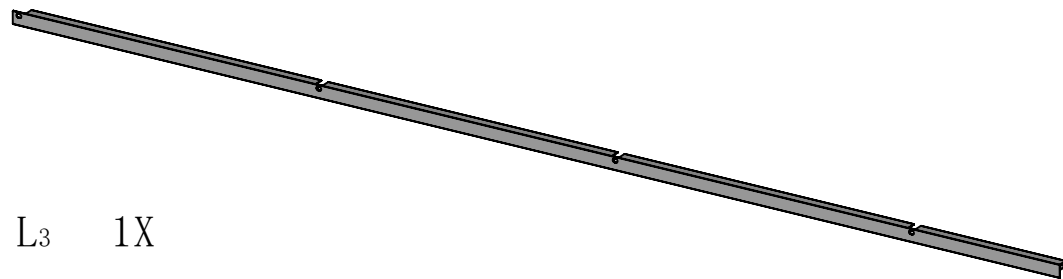
K₃ 7X



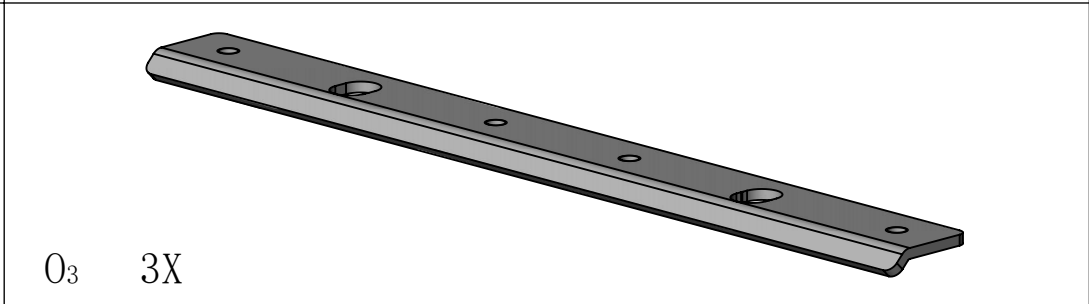
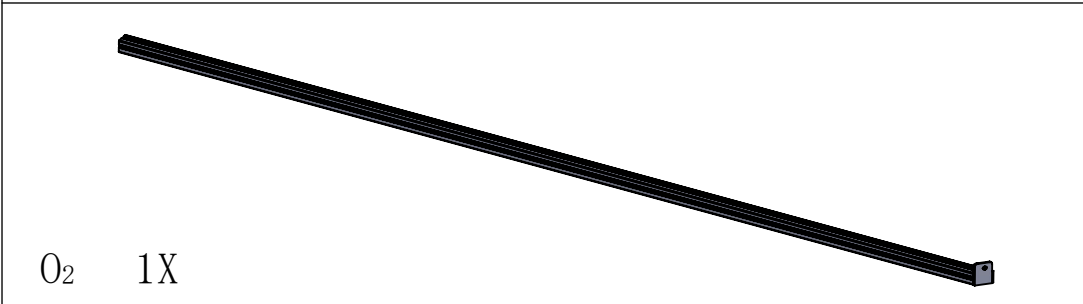
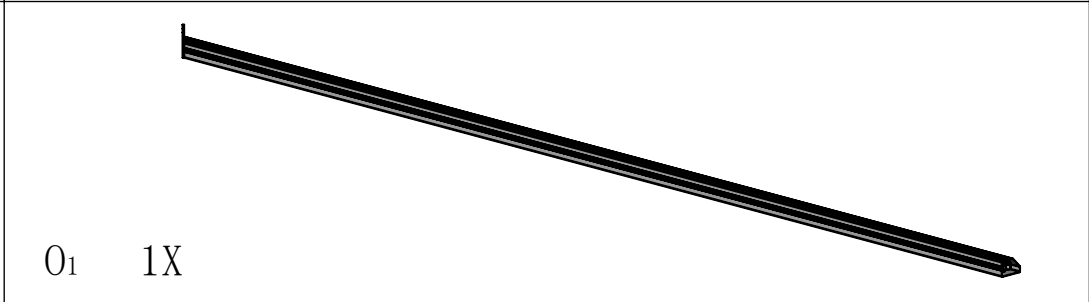
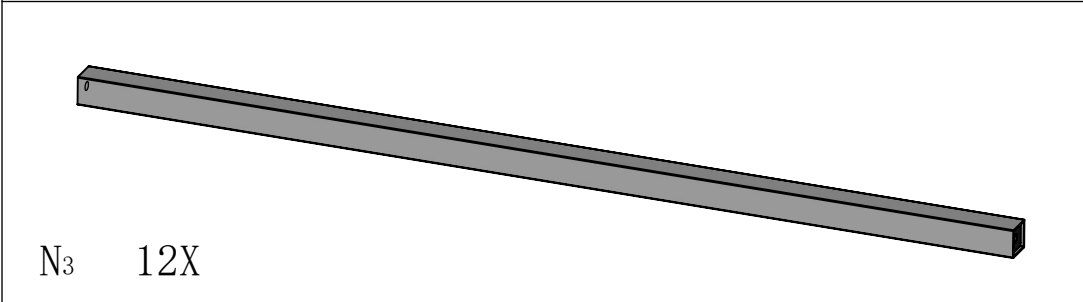
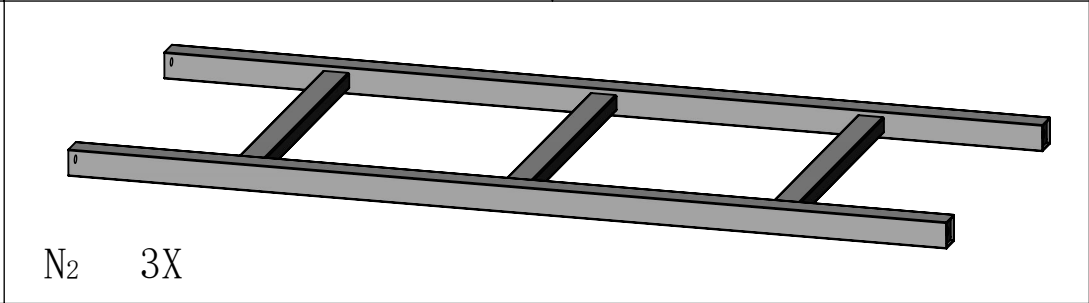
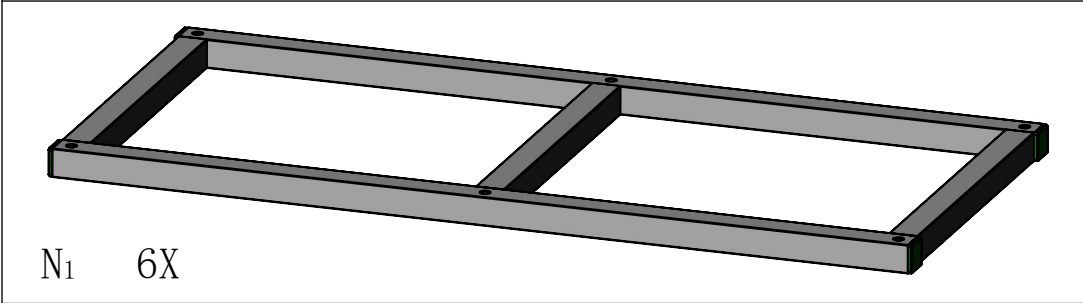
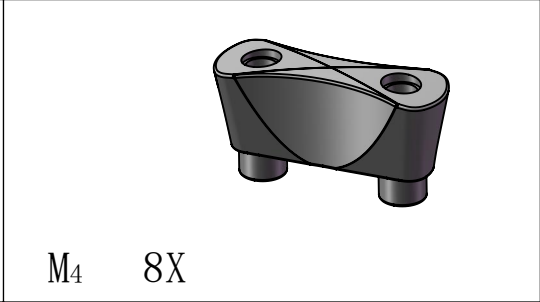
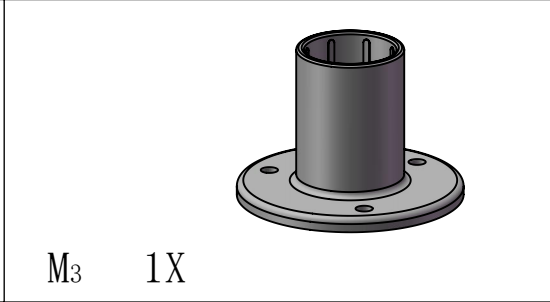
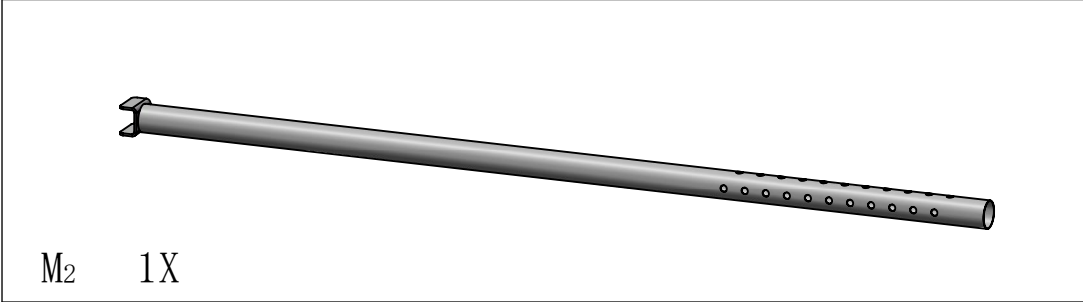
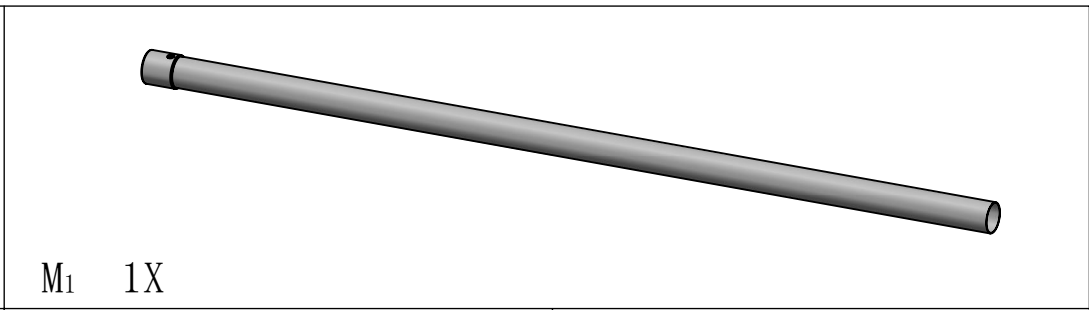
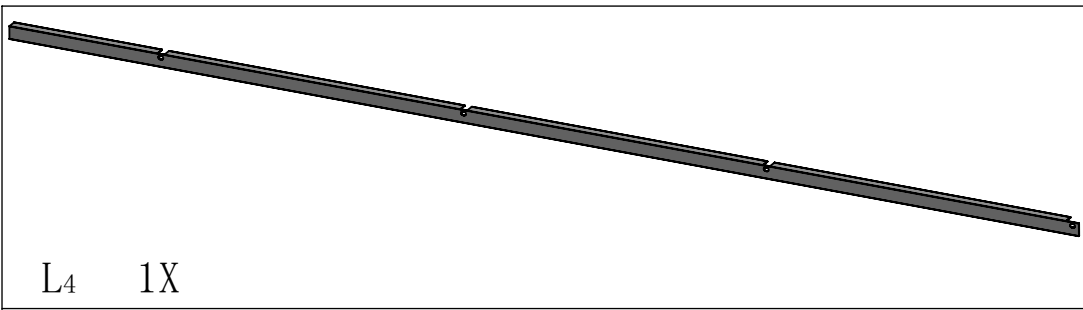
L₁ 1X

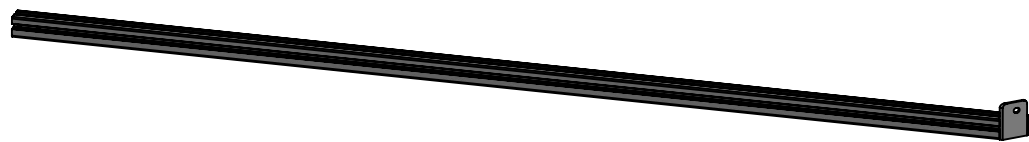


L₂ 1X



L₃ 1X

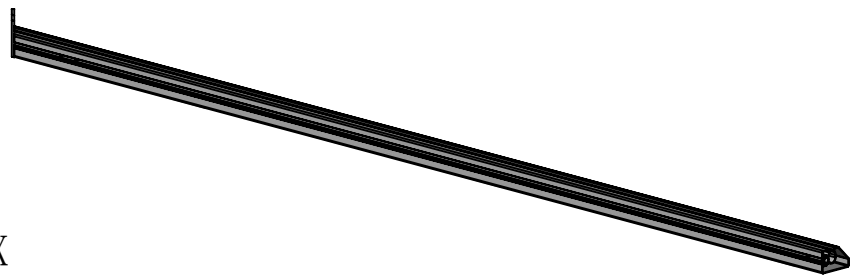




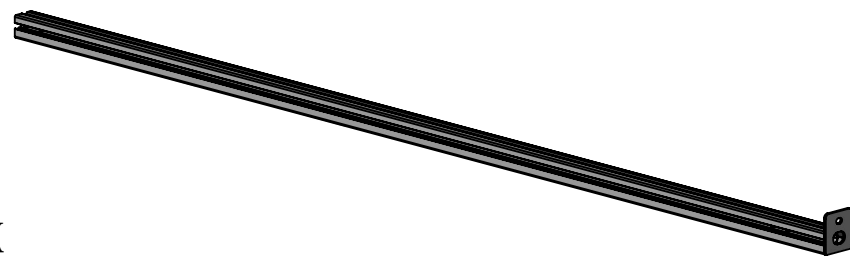
O₄ 1X



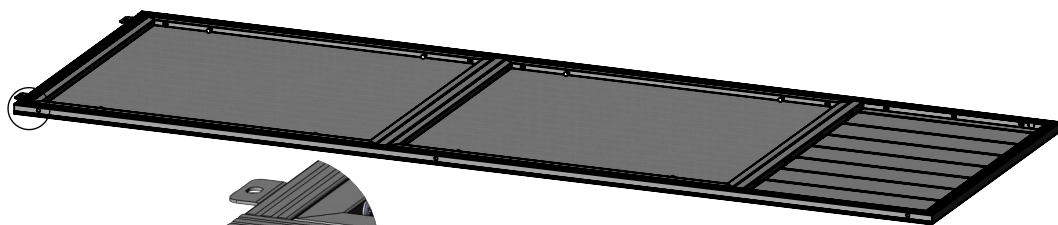
O₅ 1X



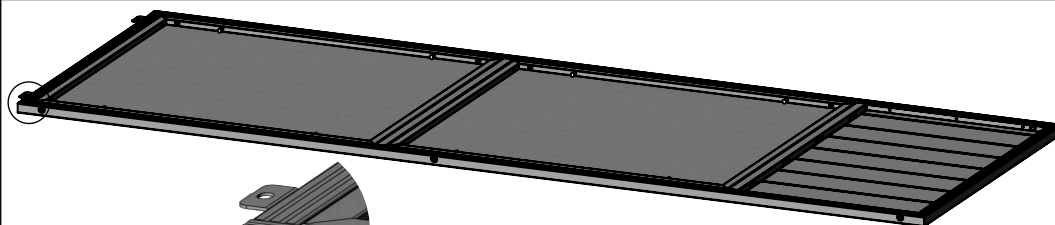
O₆ 1X



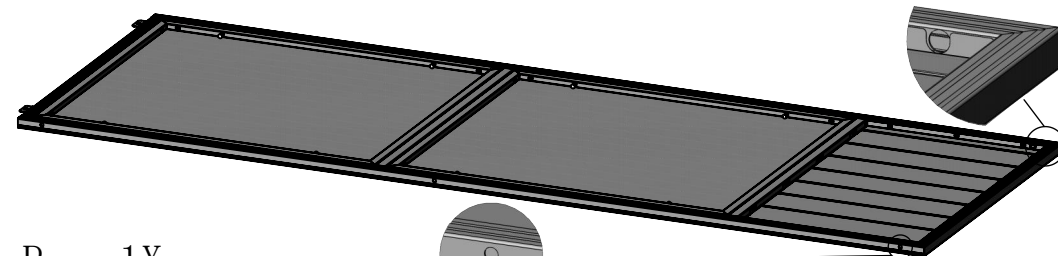
O₇ 1X



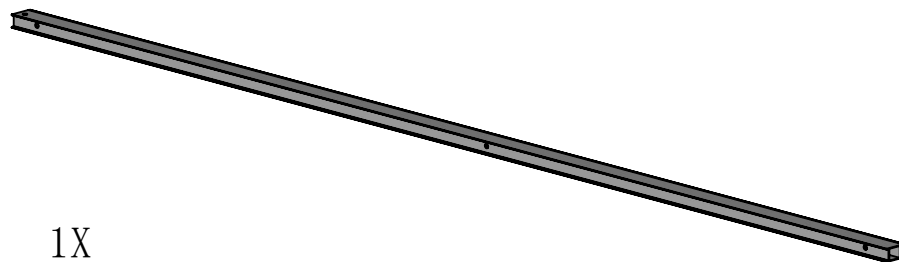
P₁ 6X



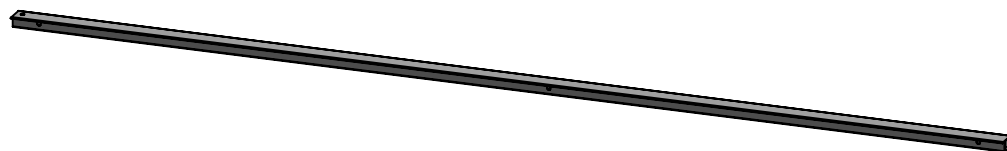
P₂ 3X



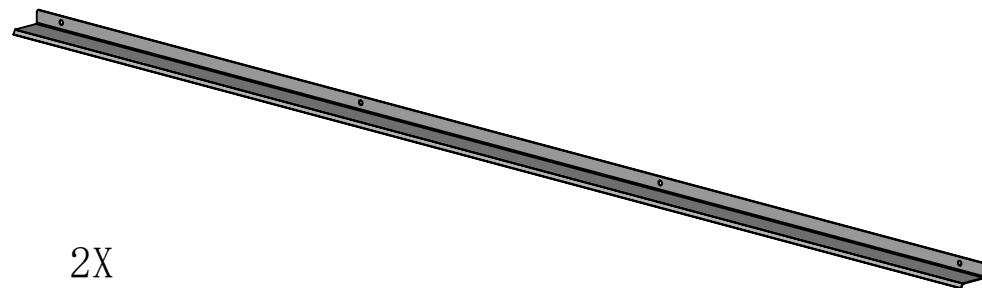
P₆ 1X



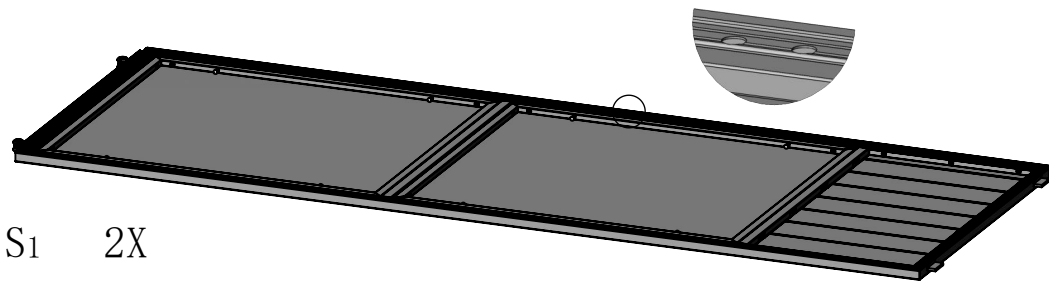
Q₁ 1X



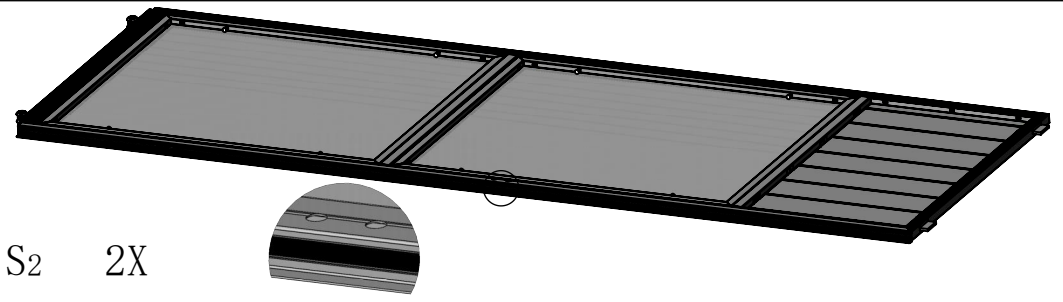
Q₂ 1X



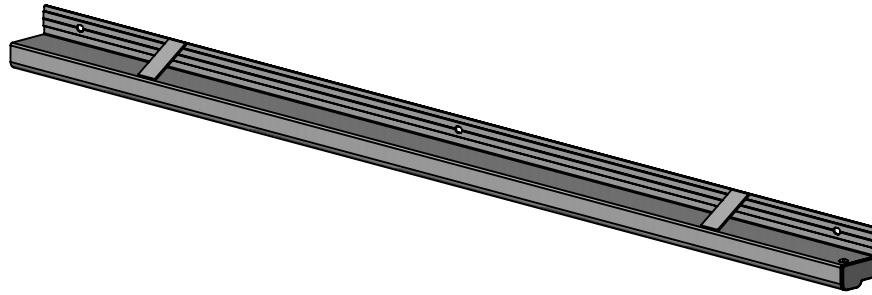
R₁ 2X



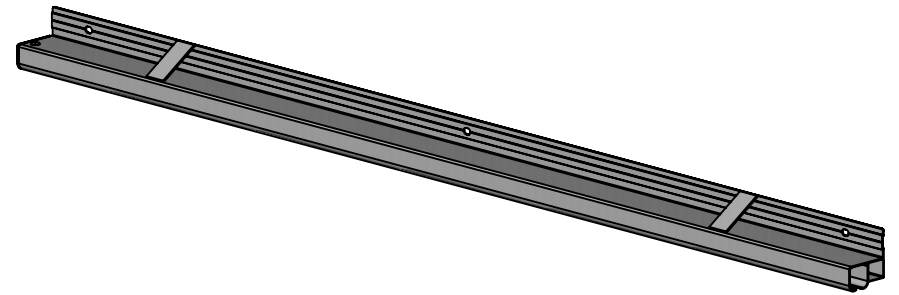
S1 2X



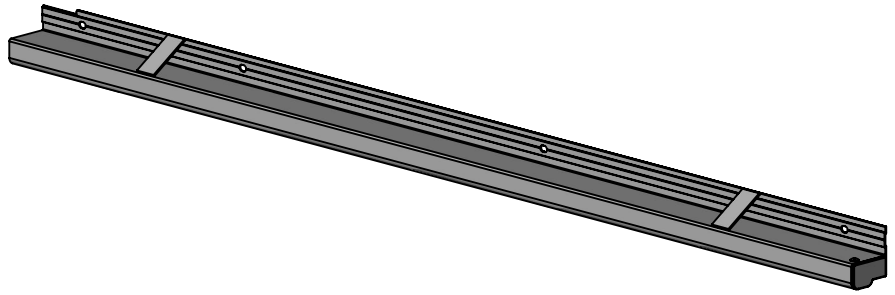
S2 2X



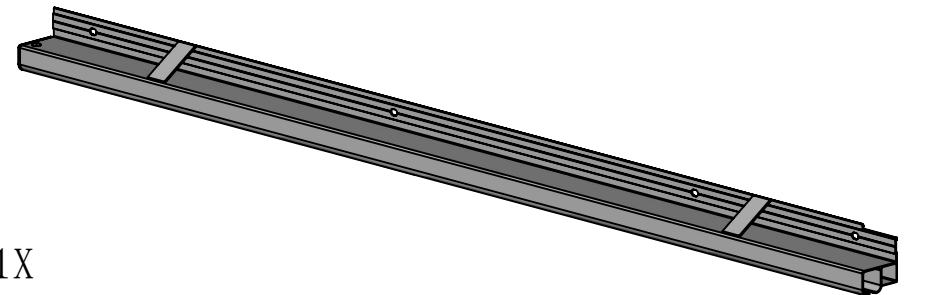
T1 1X



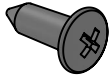
T2 1X



T3 1X



T4 1X



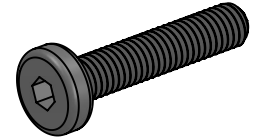
1# 6

ST4.8*13



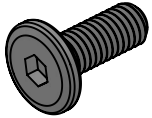
2# 1

M5*12



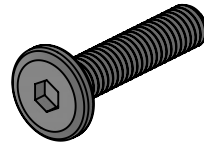
3# 36

M6*30



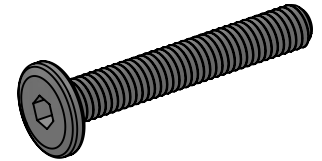
4# 382

M6*16



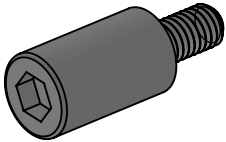
5# 22

M6*28



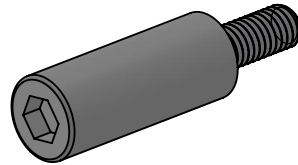
6# 14

M6*40



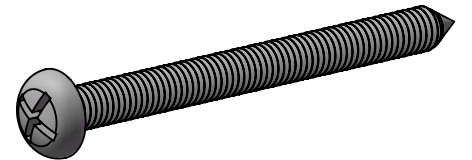
7# 2

M6*12 (L20)



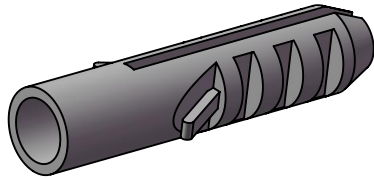
8# 6

M6*15 (L30)

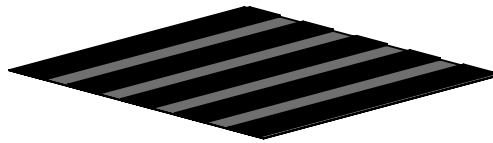


9# 14

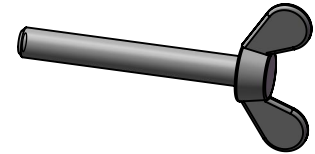
ST6*70



10# 14

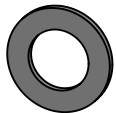


11# 1 Waterproof Tape



12# 1

M8*60



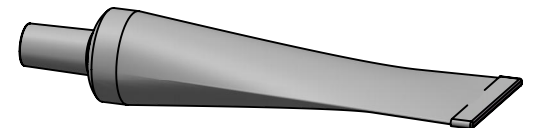
13# 1

M8



14# 1

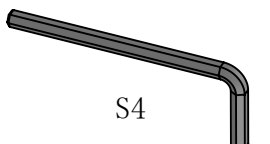
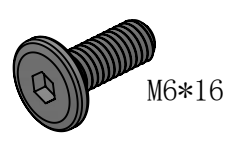
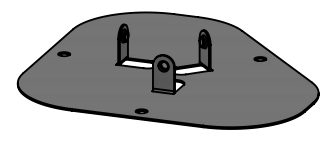
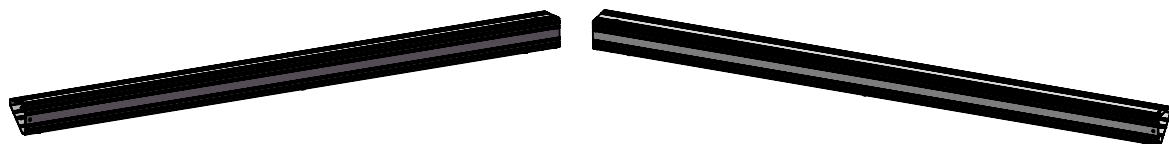
M8



15# 1

Silicone Sealant

<p>16# 1 S4</p> 	<p>17# 1 S6</p> 	<p>18# 1</p> 
<p>19# 33 M6*30</p> 	<p>20# 33</p> 	<p>21# 16</p> 
<p>22# 16 M4*10</p> 	<p>23# 8 M4</p> 	<p>24# 22 Metal Square Nuts M6</p> 
<p>25# 1 S5</p> 	<p>26# 6</p> 	
<p>28# 1 Anti Dust Tape</p> 		



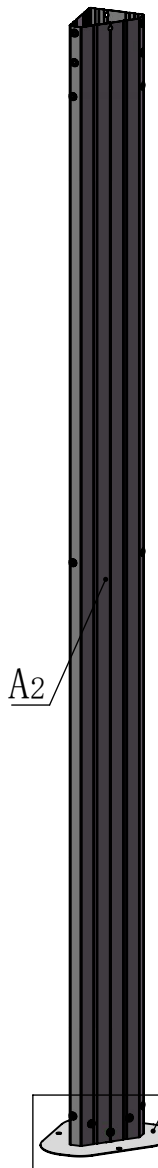
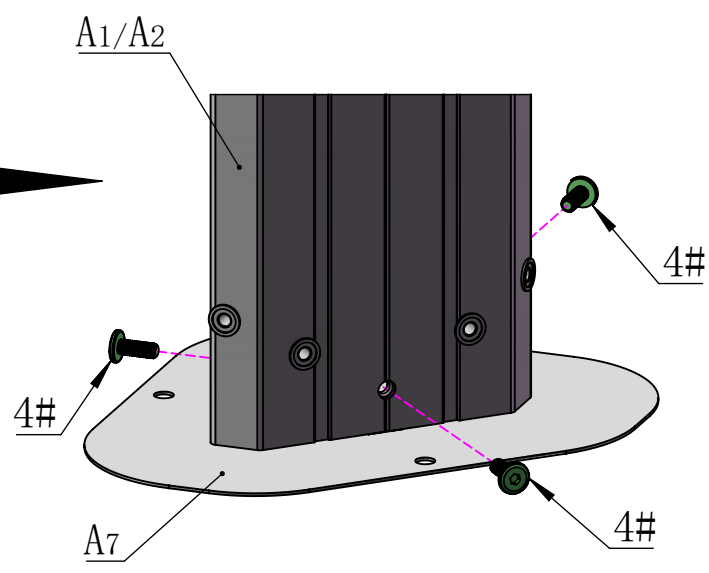
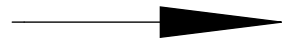
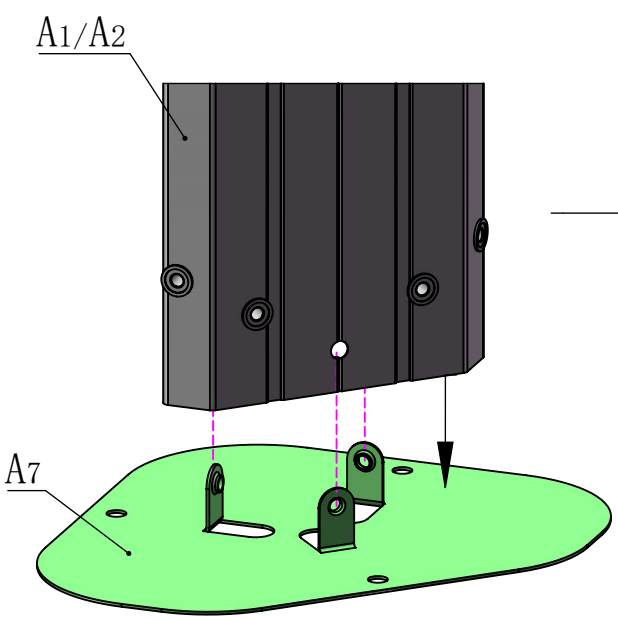
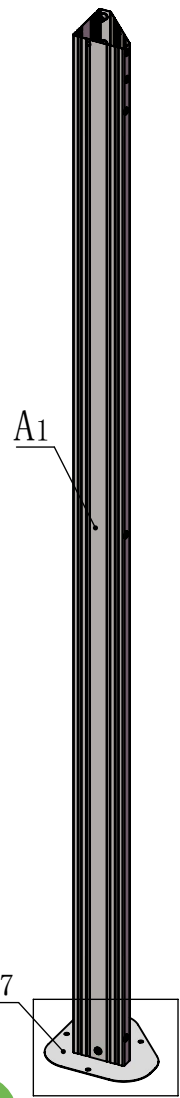
A1 1X

A2 1X

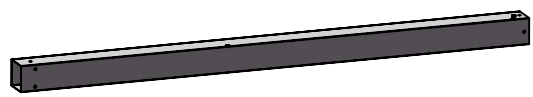
A7 2X

4# 6X

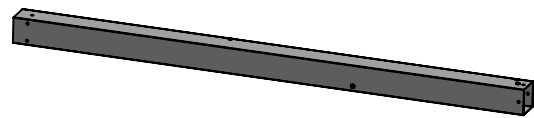
16# 1X



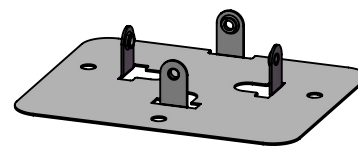
1



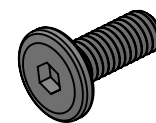
A3 1X



A4 1X

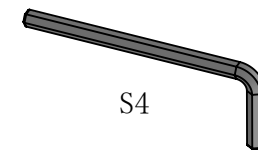


A8 2X



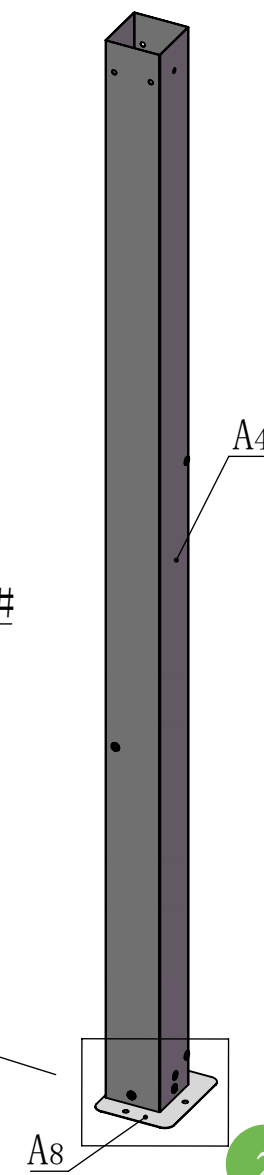
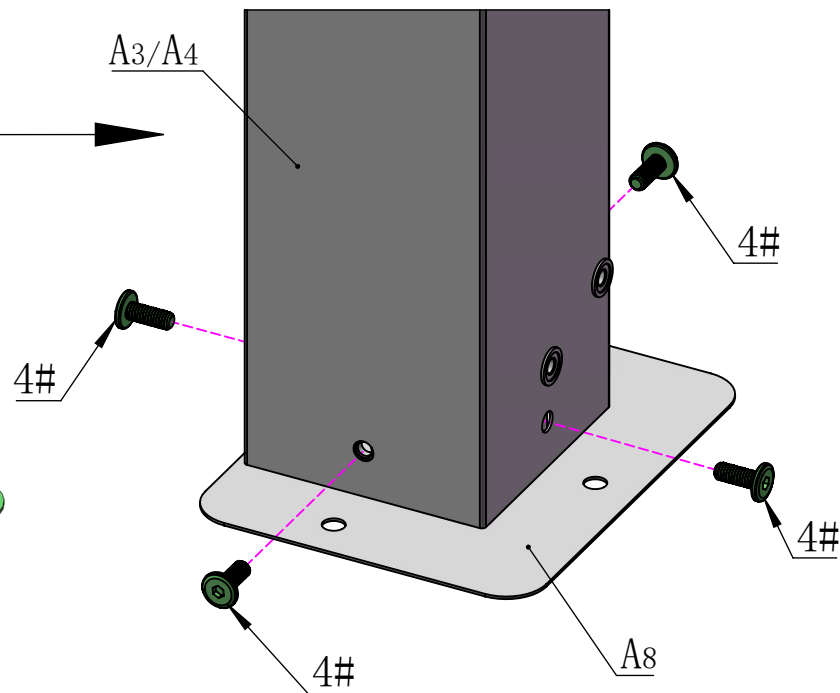
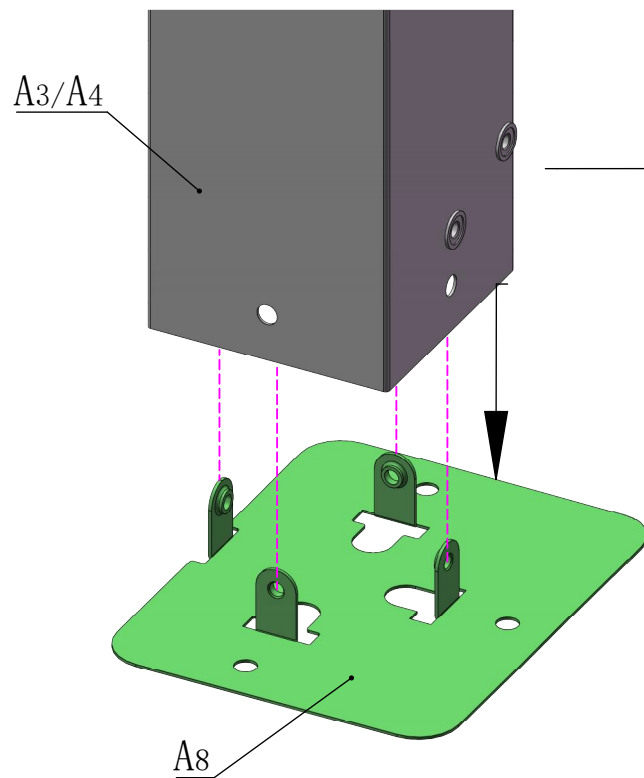
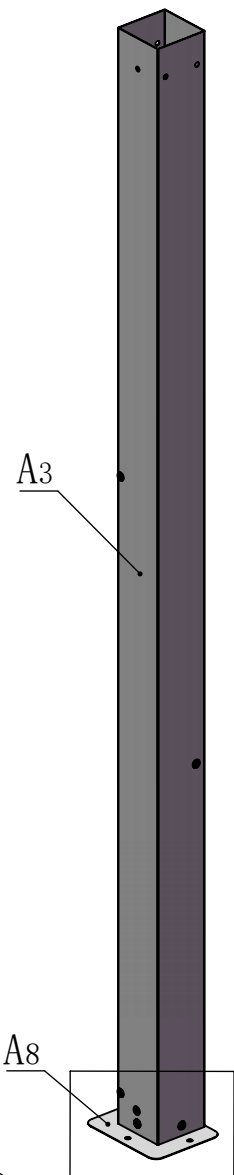
M6*16

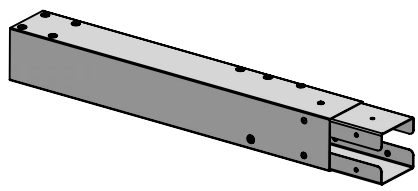
4# 8X



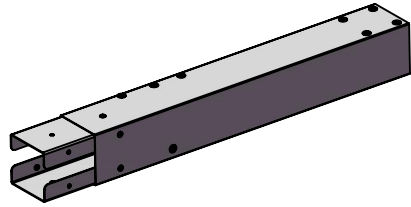
S4

16# 1X

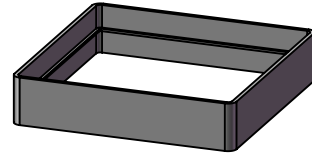




A5 1X



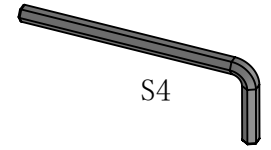
A6 1X



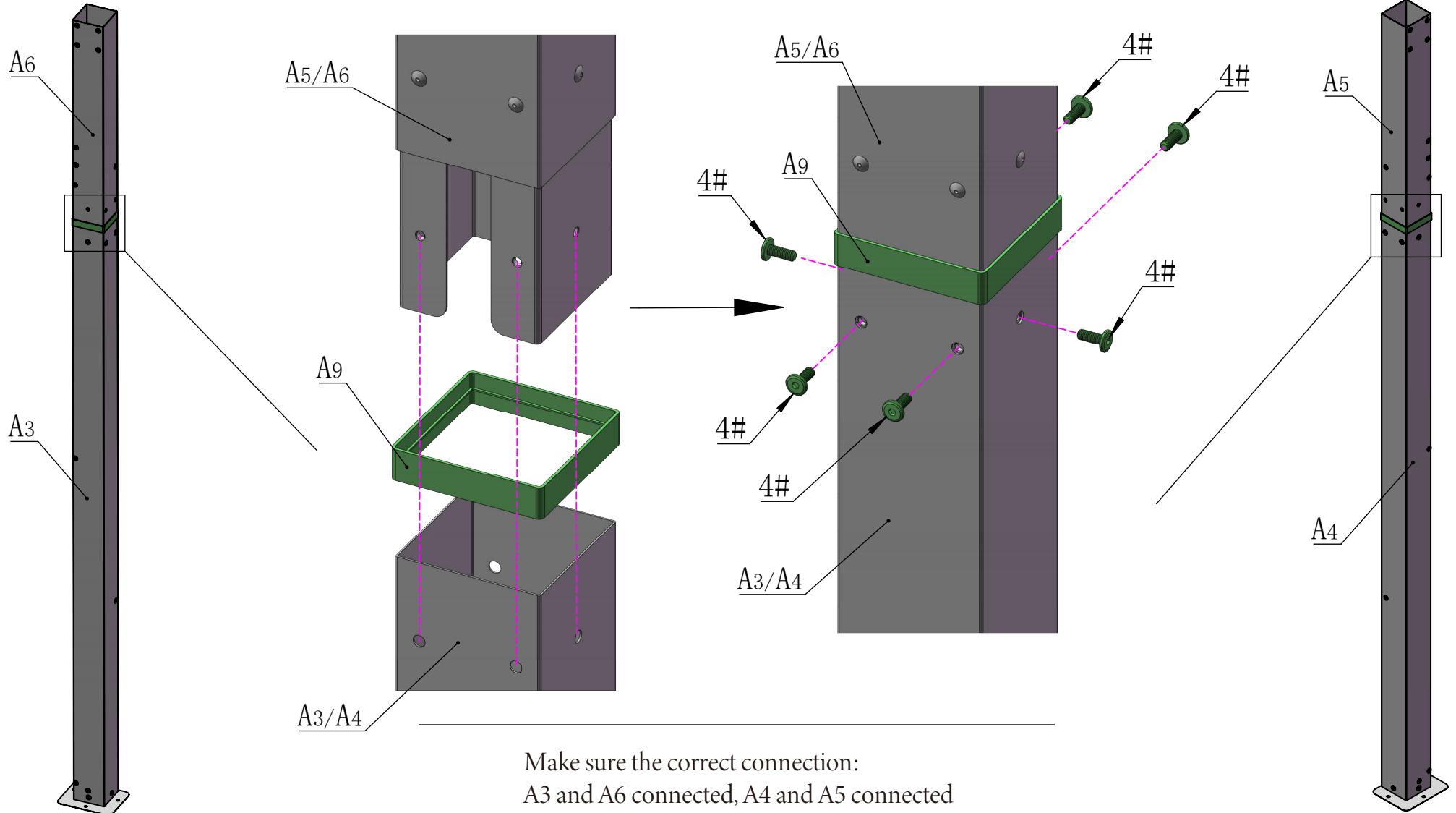
A9 2X



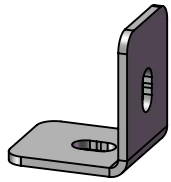
4# 12X



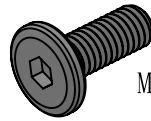
16# 1X



Make sure the correct connection:
A3 and A6 connected, A4 and A5 connected

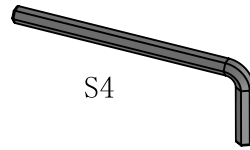


A10 4X



M6*16

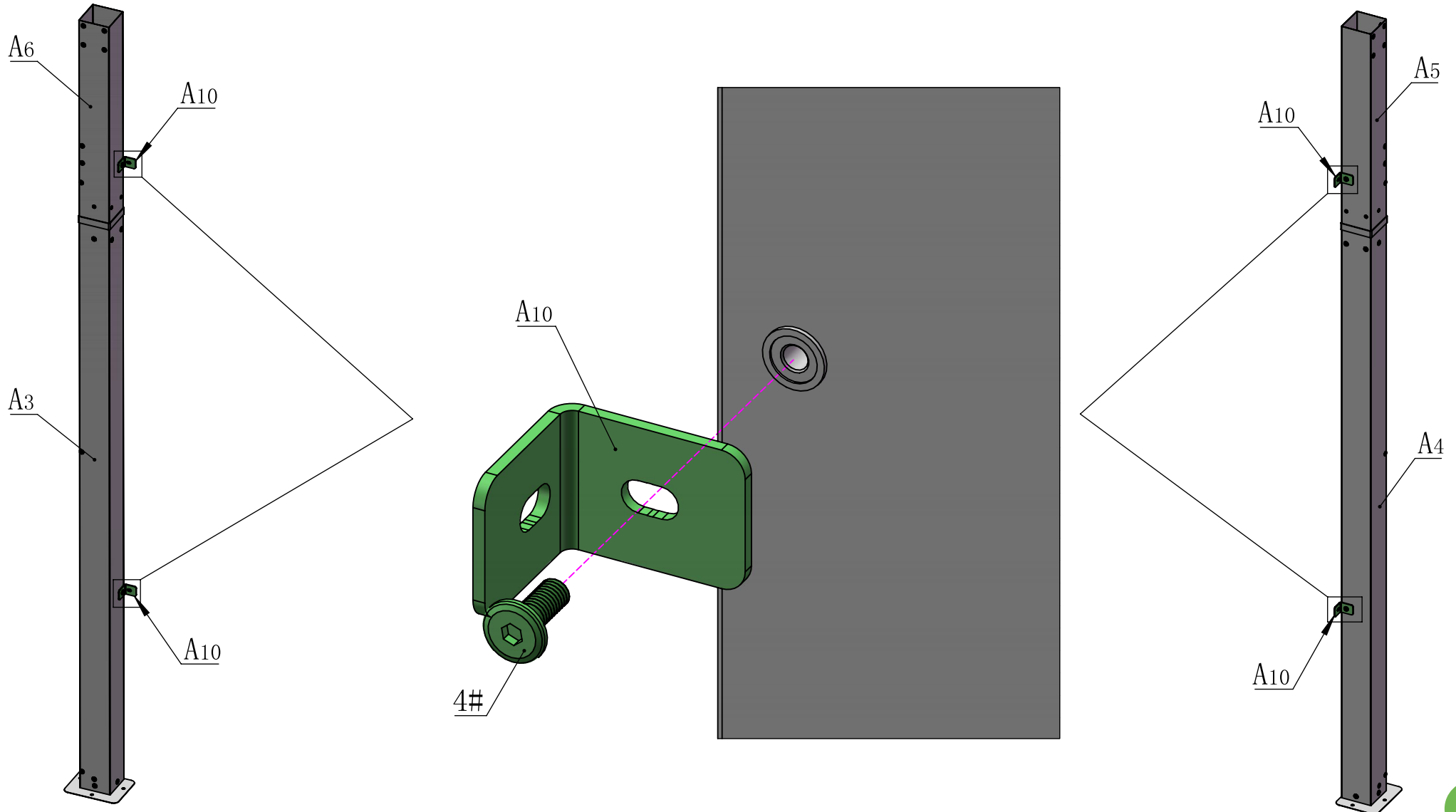
4# 4X



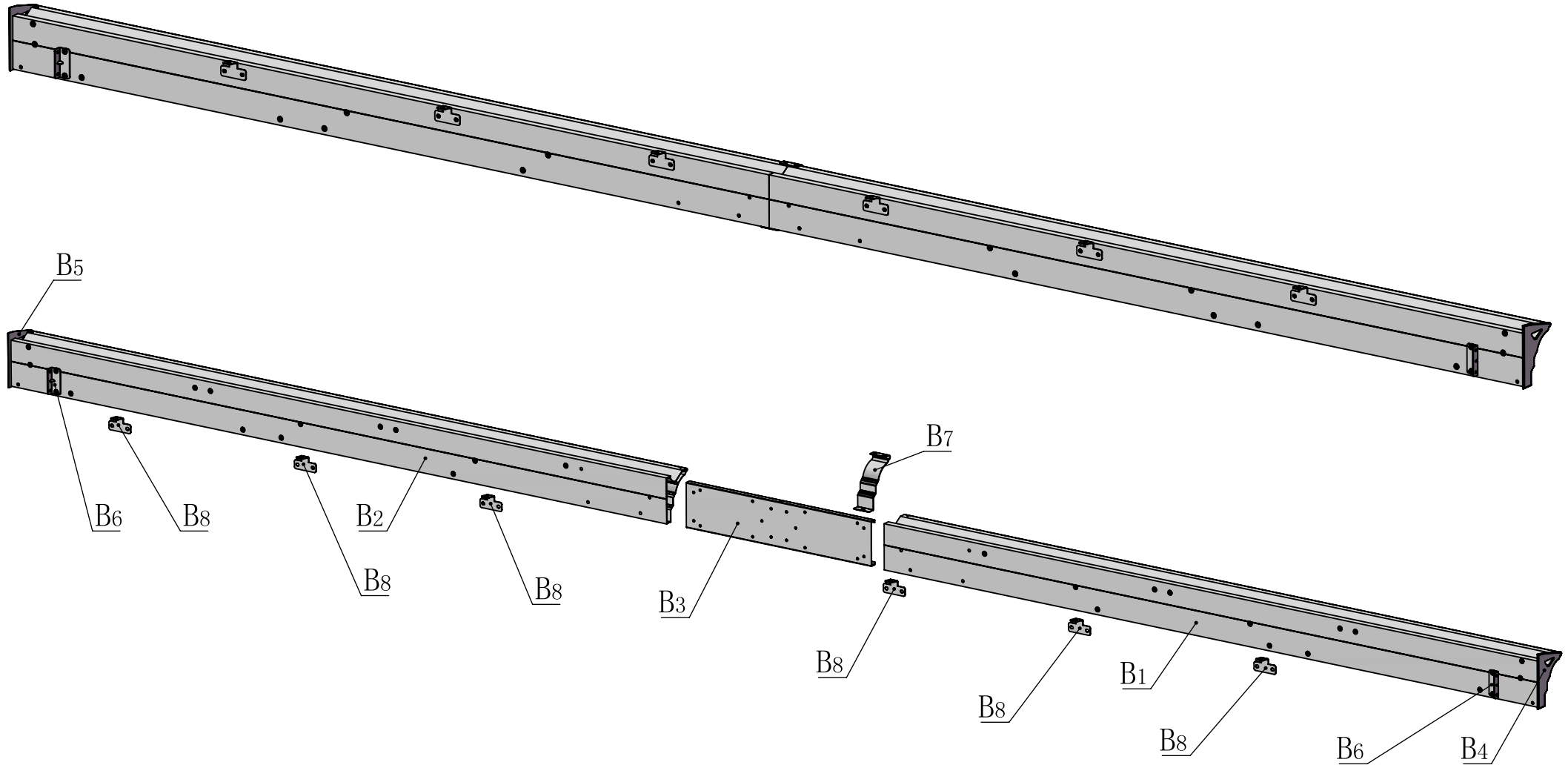
S4

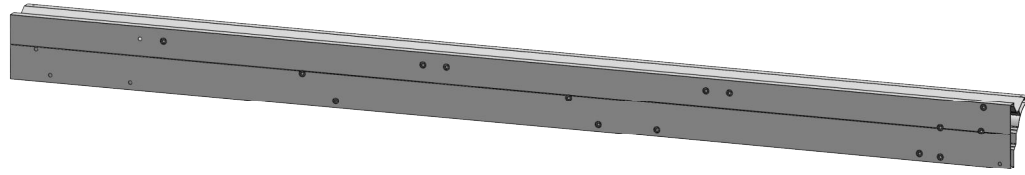
16# 1X

The bracket #A10 is used to fix the post against the wall.
If you don't need it fixed, please retain for future use and skip this step.

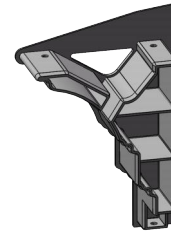


Front Beam Assembly

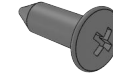




B1 1X

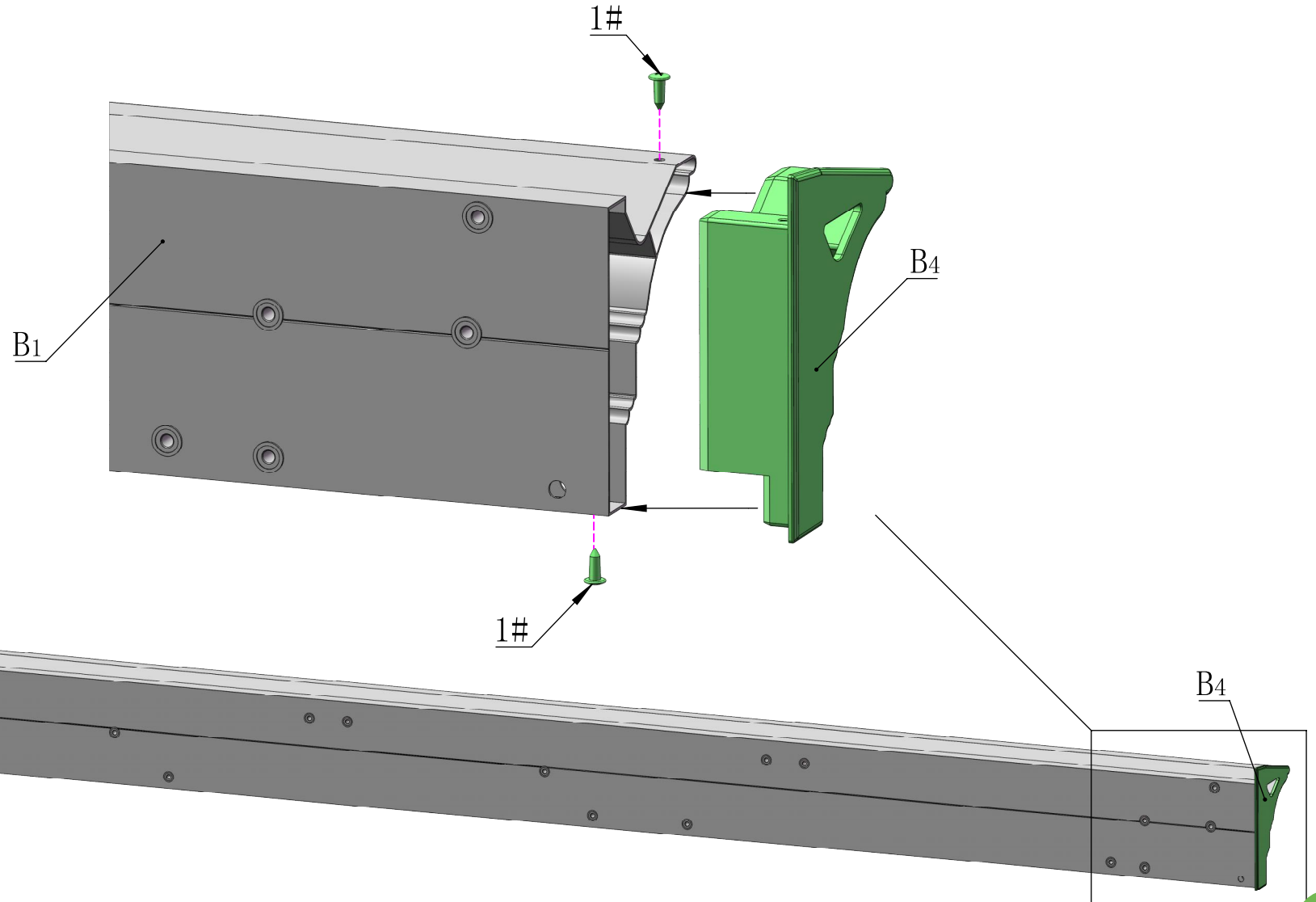


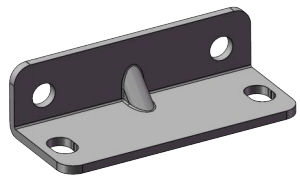
B4 1X



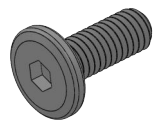
ST4. 8*13

1# 2X



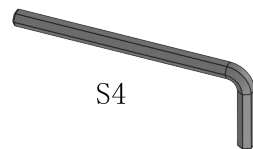


B6 1X



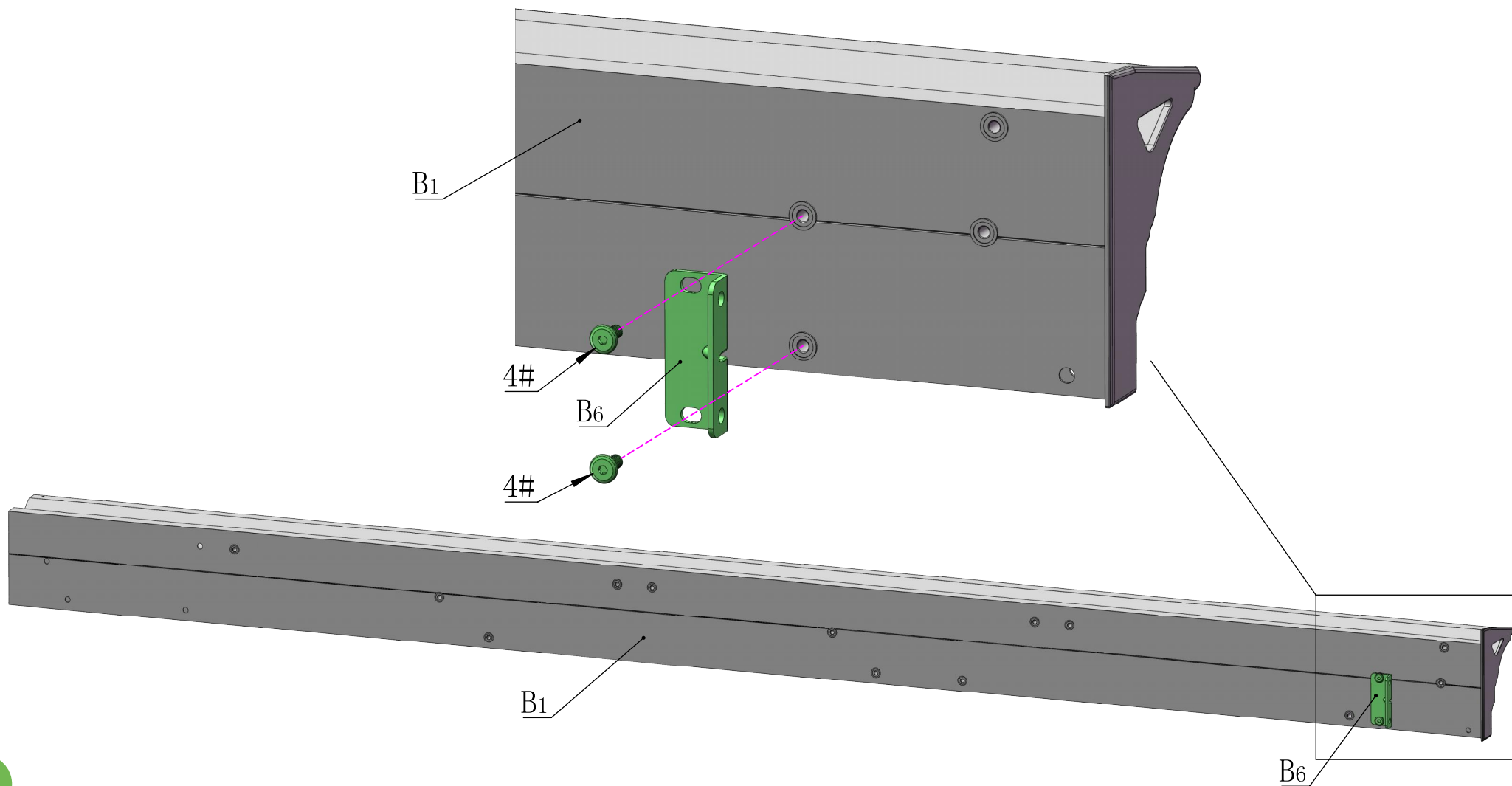
M6*16

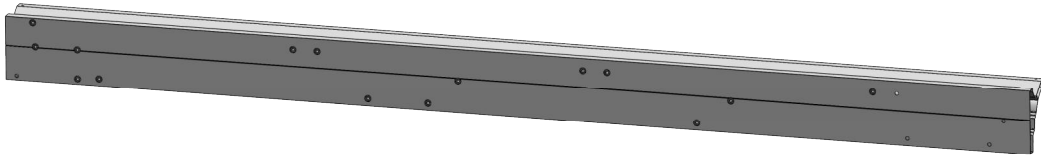
4# 2X



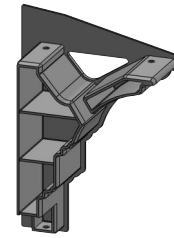
S4

16# 1X

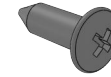




B2 1X

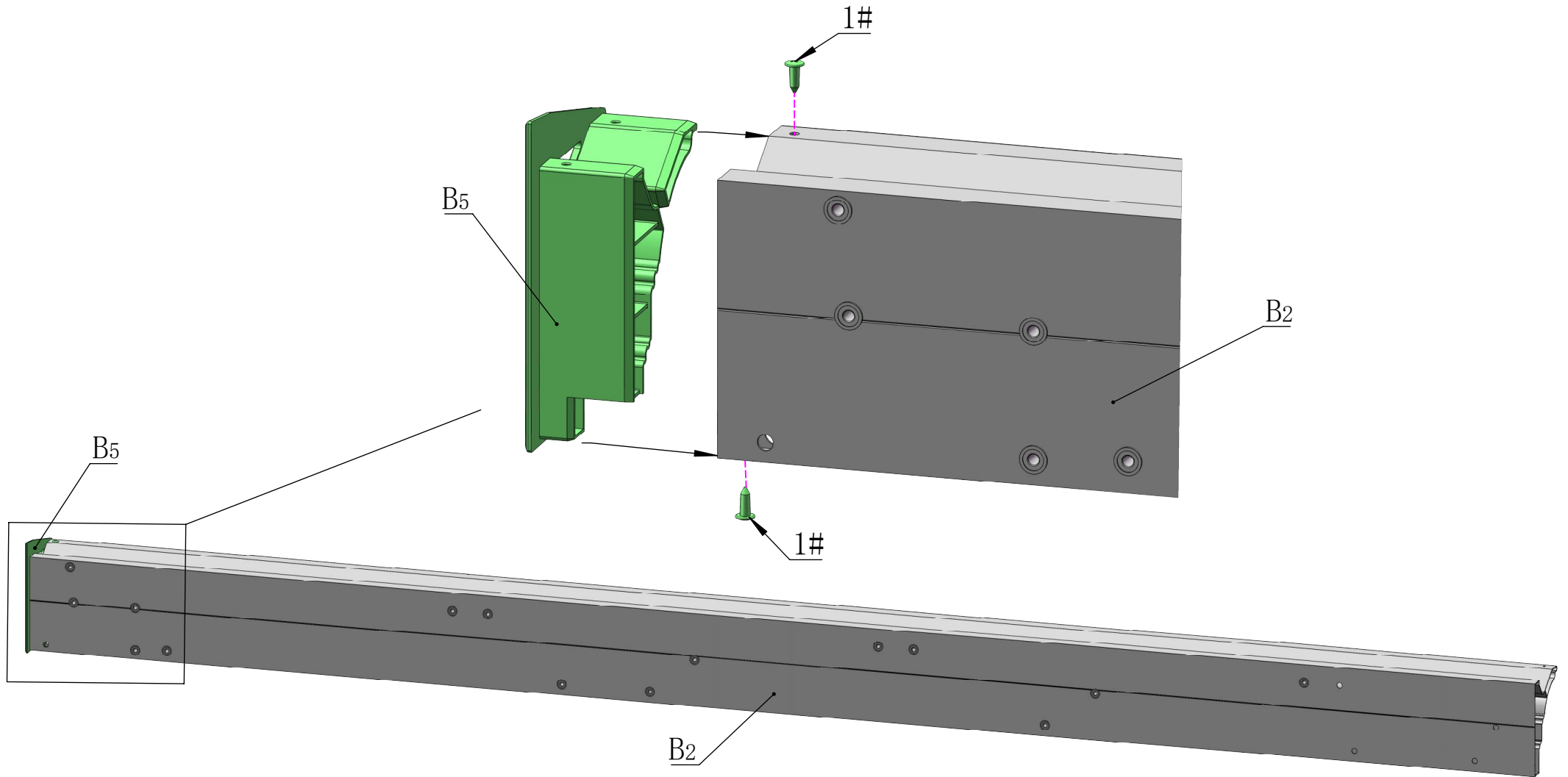


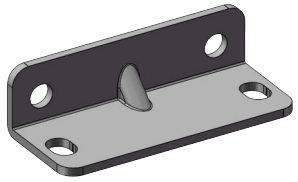
B5 1X



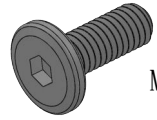
ST4. 8*13

1# 2X



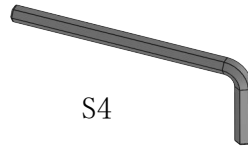


B6 1X



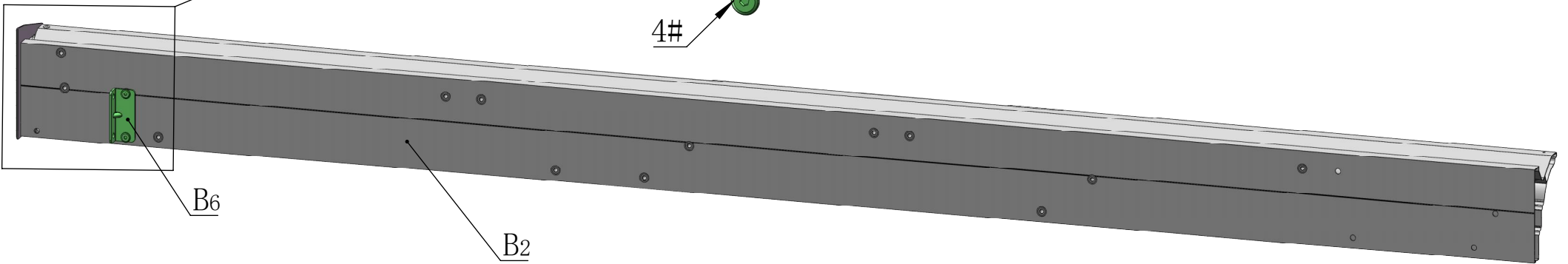
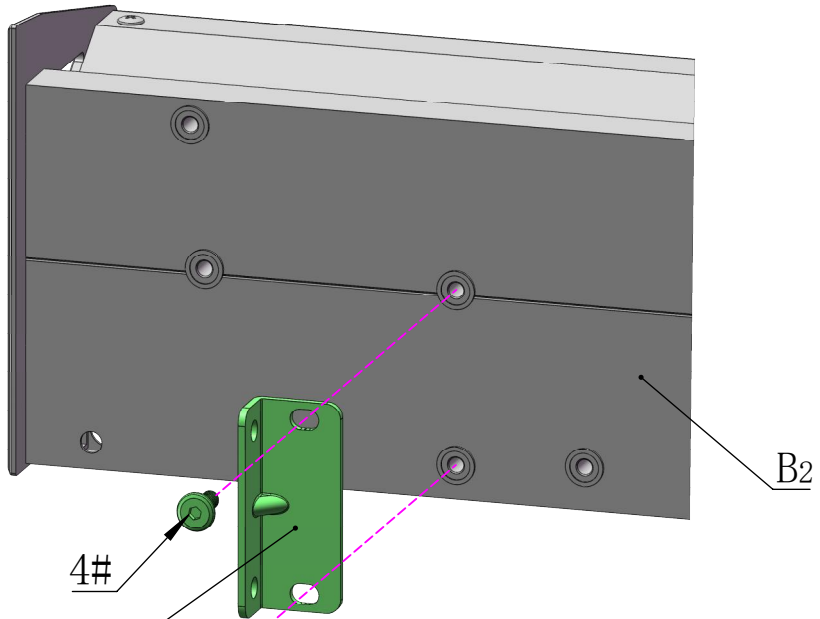
M6*16

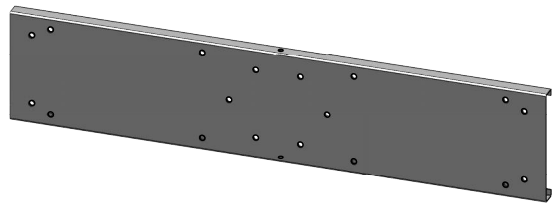
4# 2X



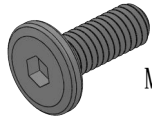
S4

16# 1X



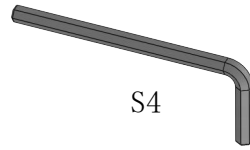


B3 1X



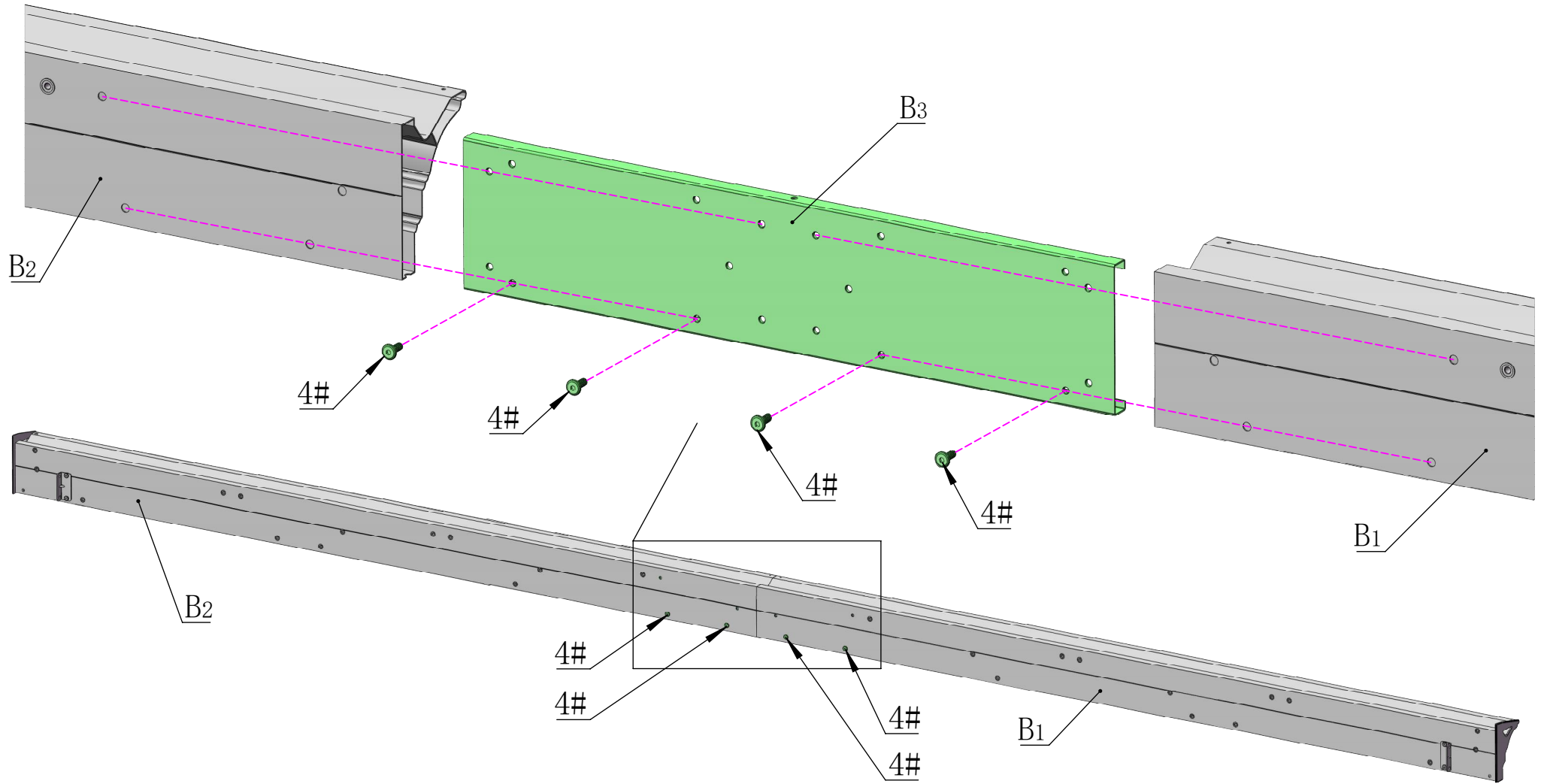
M6*16

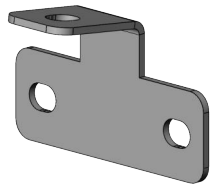
4# 4X



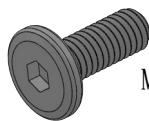
S4

16# 1X



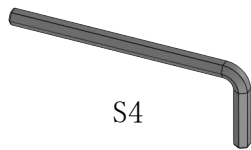


B8 6X



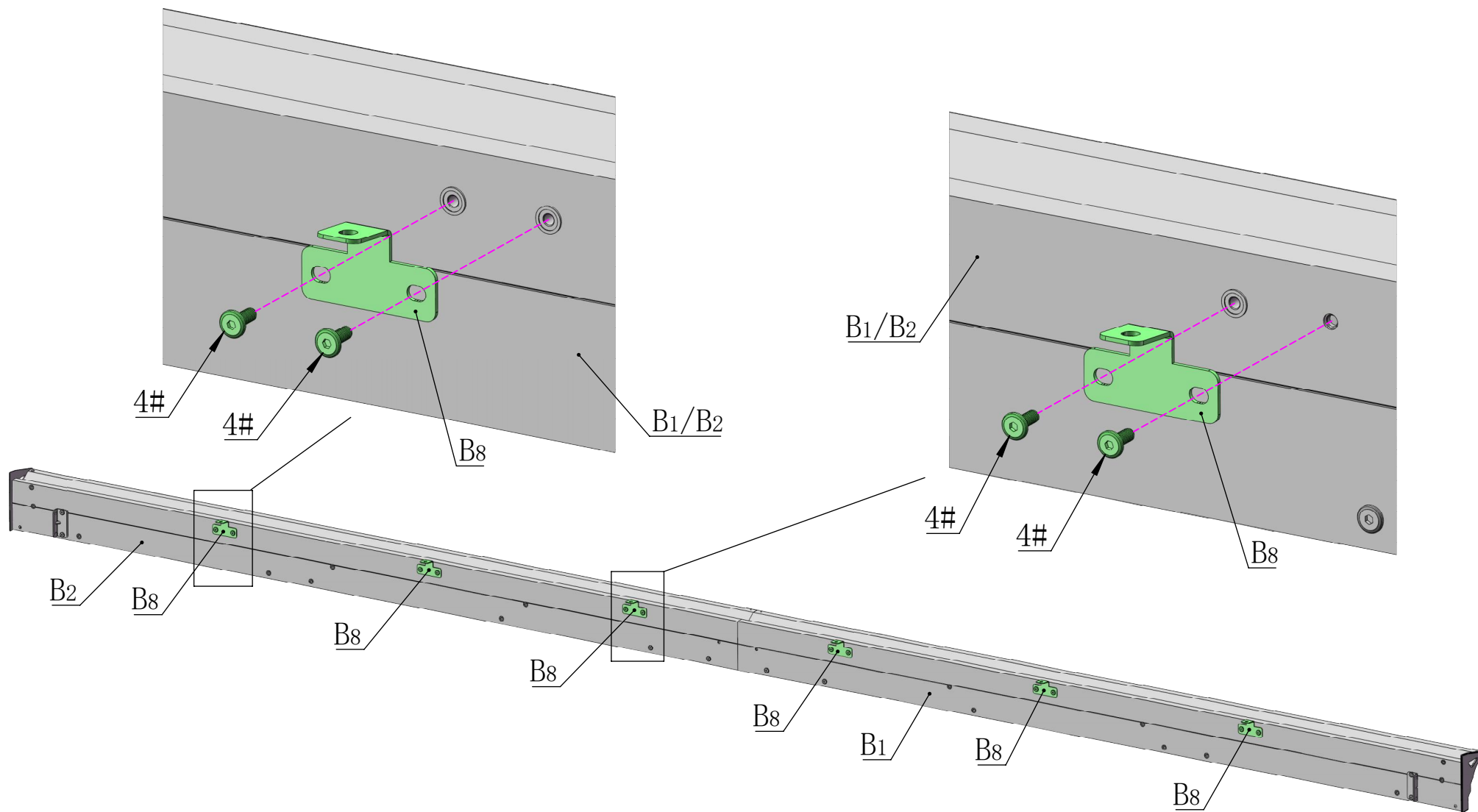
M6*16

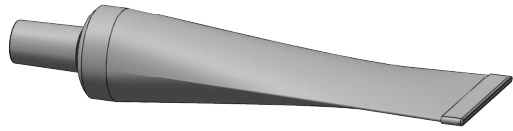
4# 12X



S4

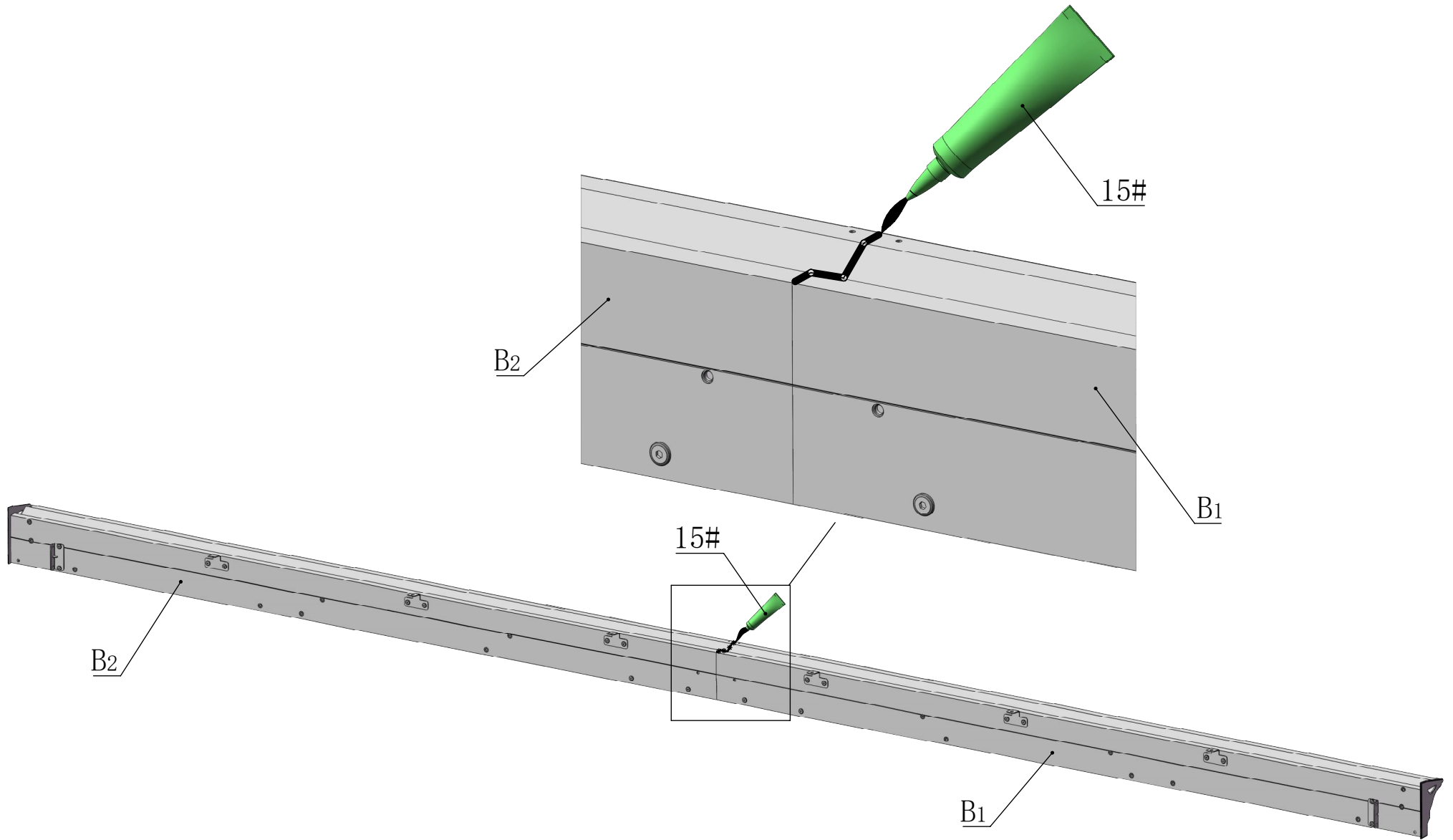
16# 1X

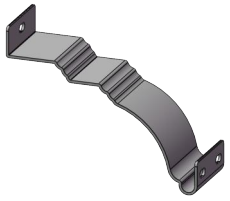




15# 1X

Use silicone sealant (part #15) to affix the gap between the two beams





B7 1X



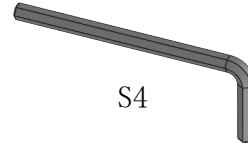
ST4.8*13

1# 2X



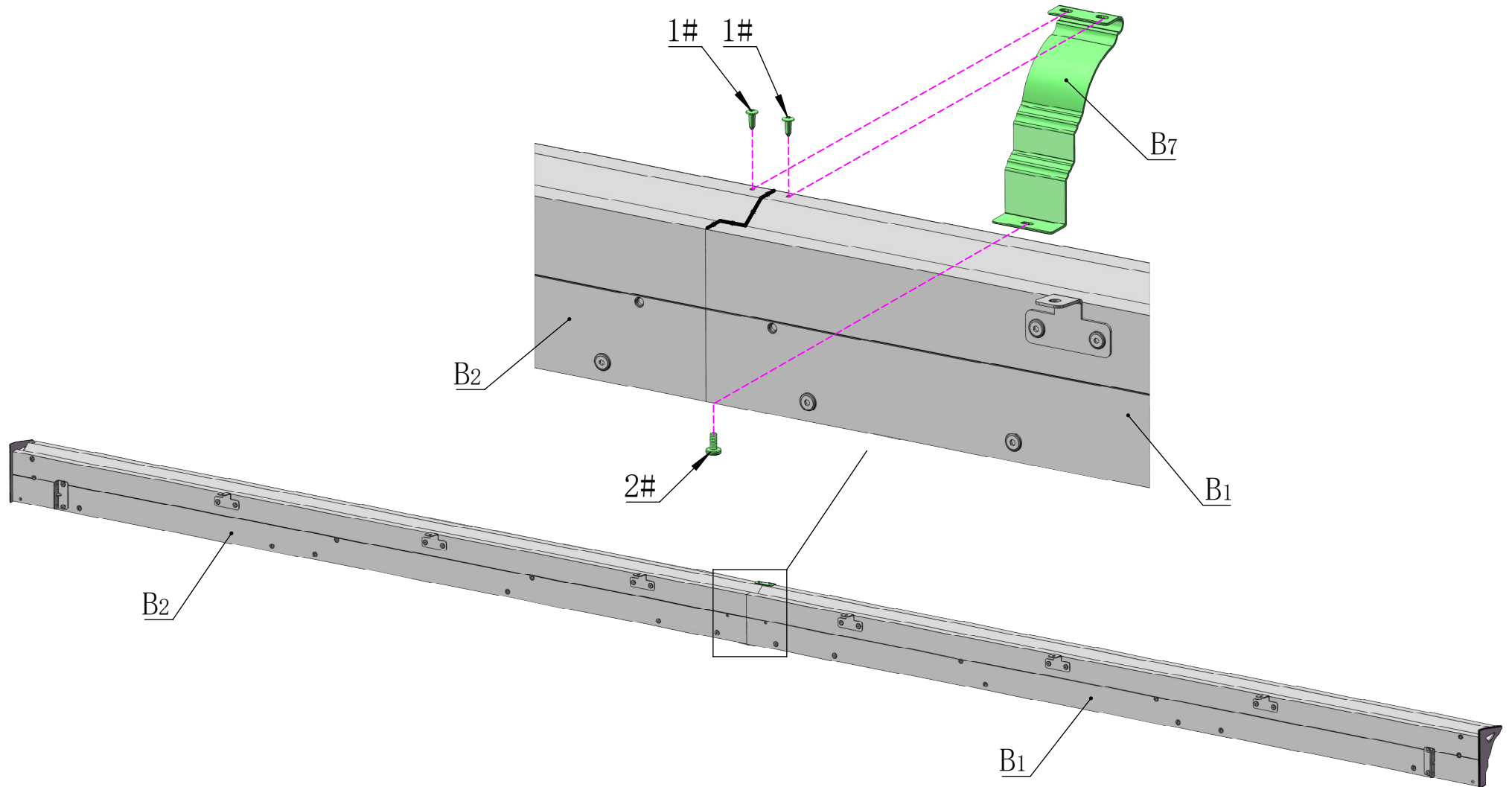
M5*12

2# 1X

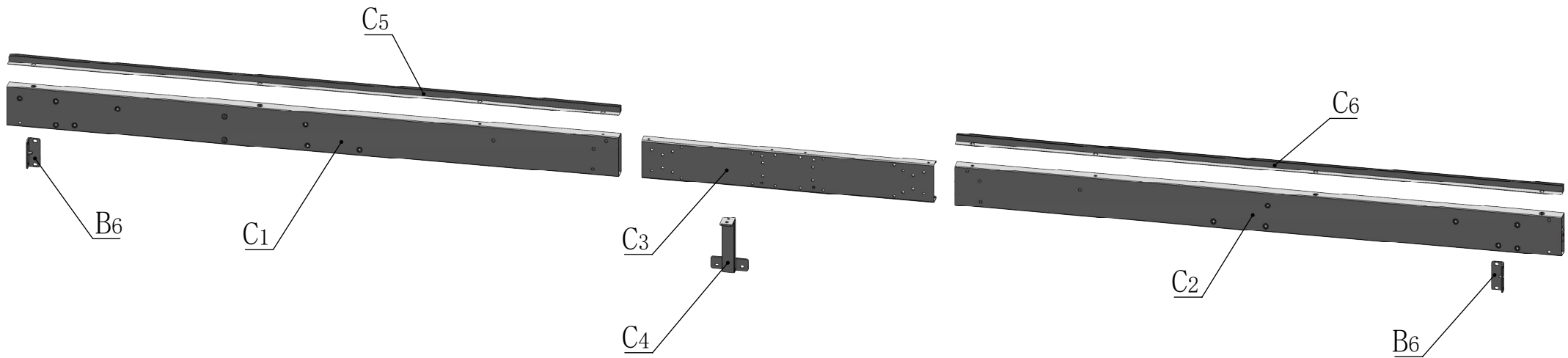
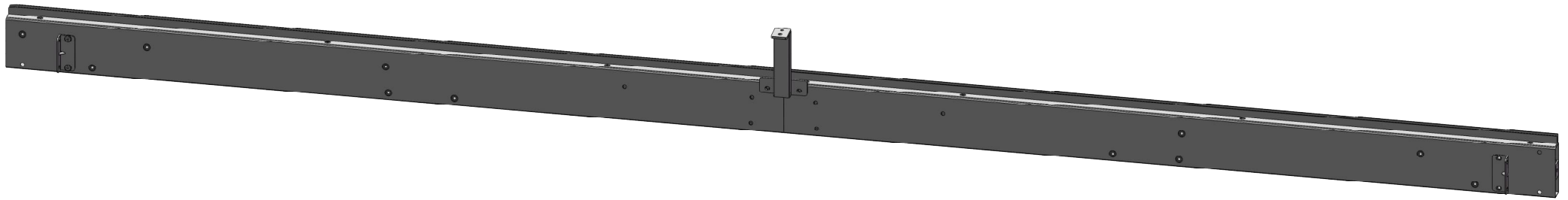


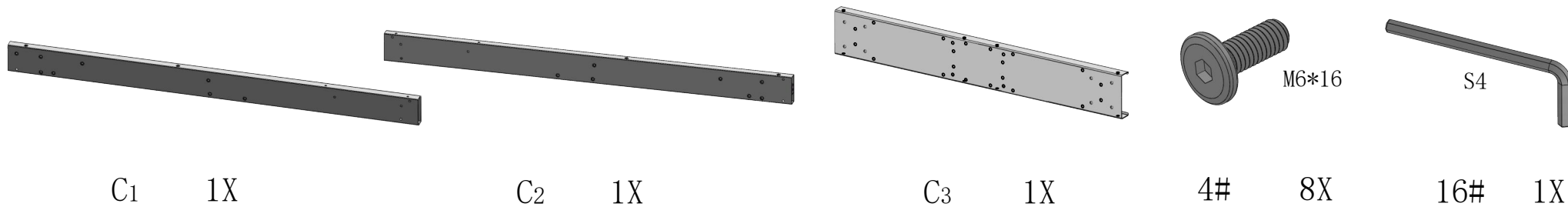
S4

16# 1X

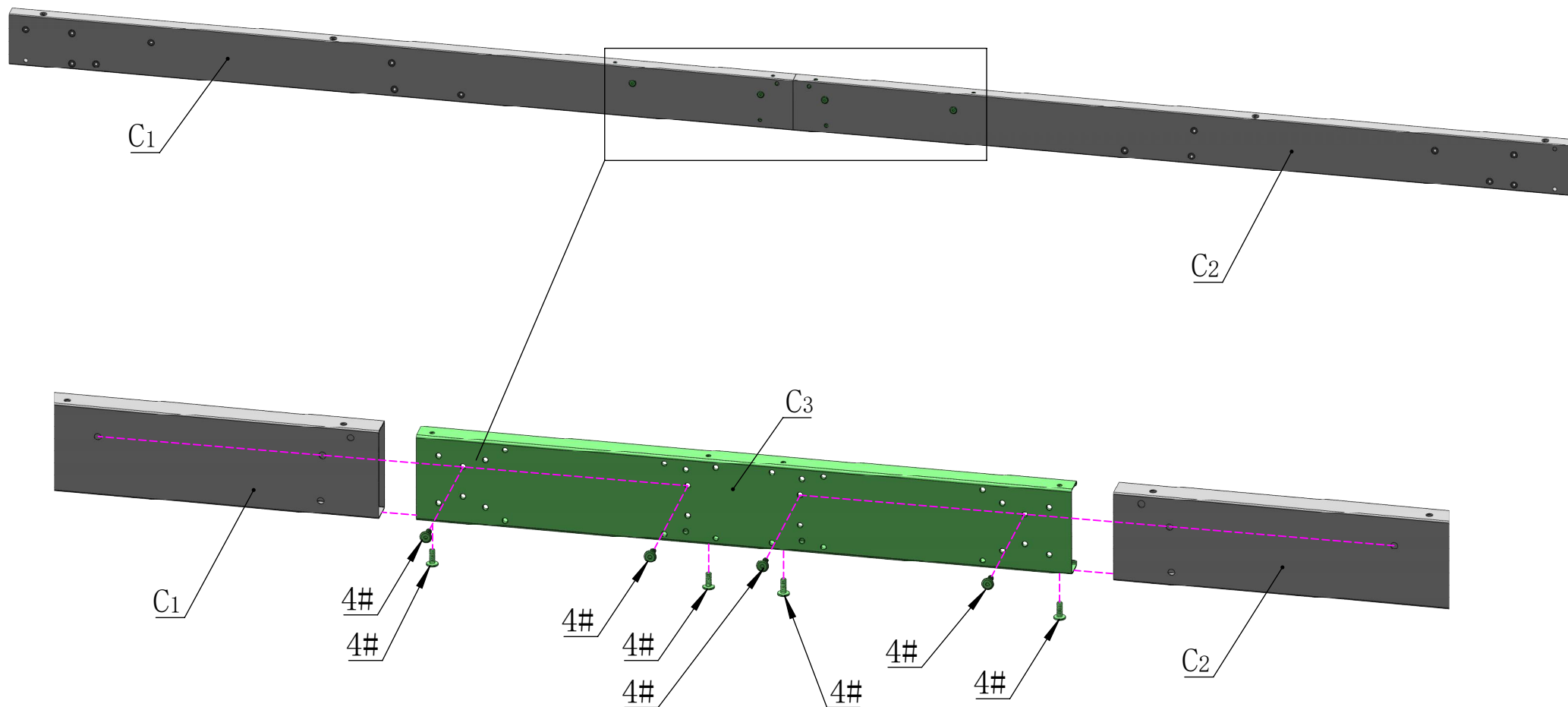


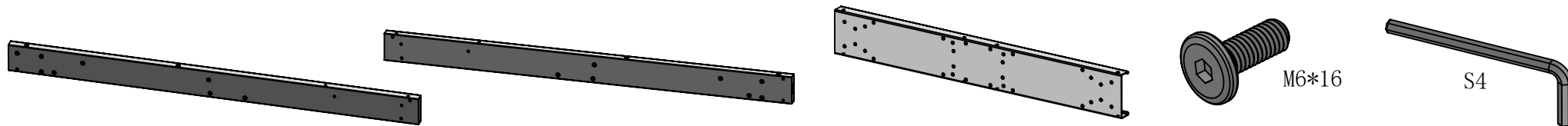
Side Beam Assembly





Attention: If you want to assemble based on **Model 2 (left side door)**, only the 2 screws (#4) at the center of the original left side beam (C1/C2) need to be installed, not the 2 screws (#4) at both ends of C3. Please see the next page.





C1 1X

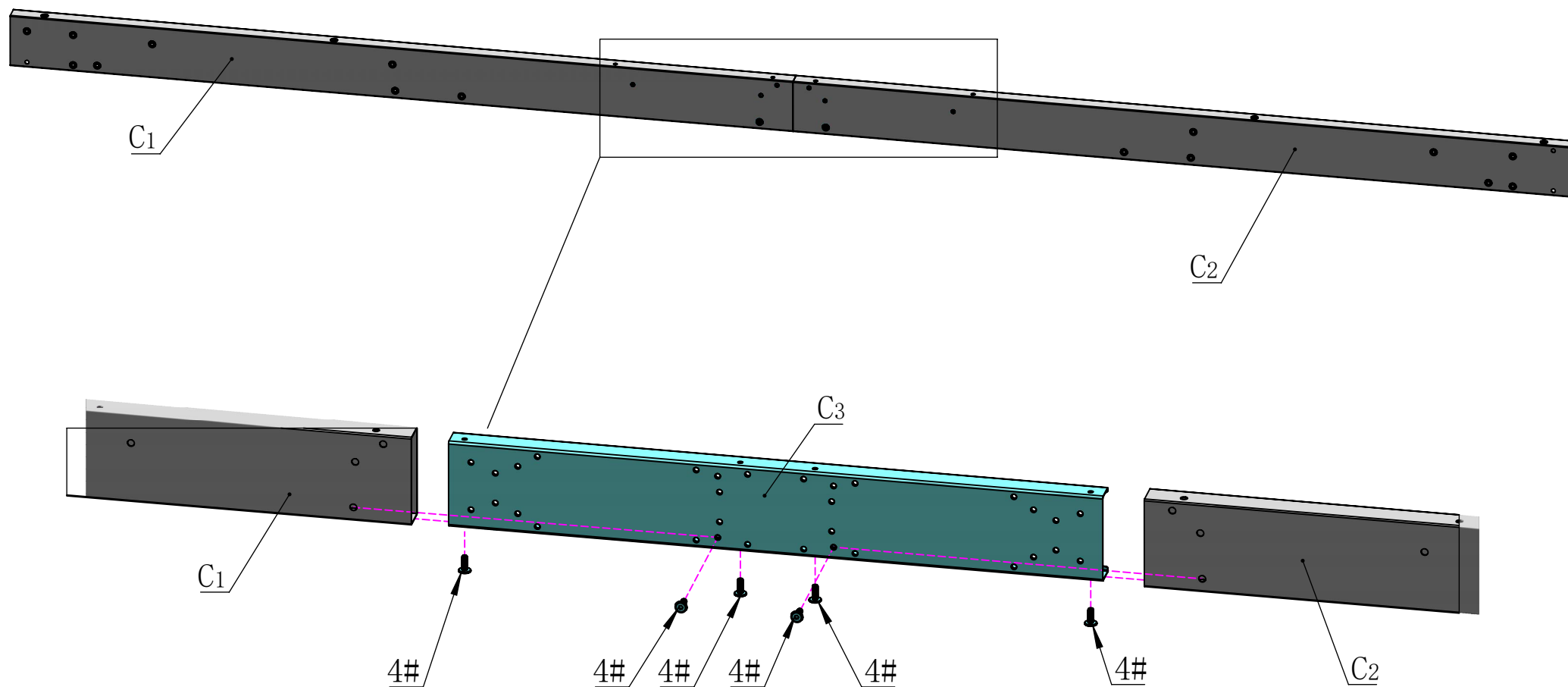
C2 1X

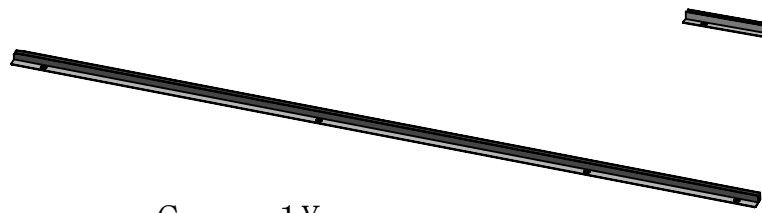
C3 1X

4# 6X

16# 1X

MODEL2

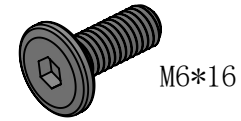




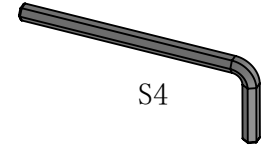
C5 1X



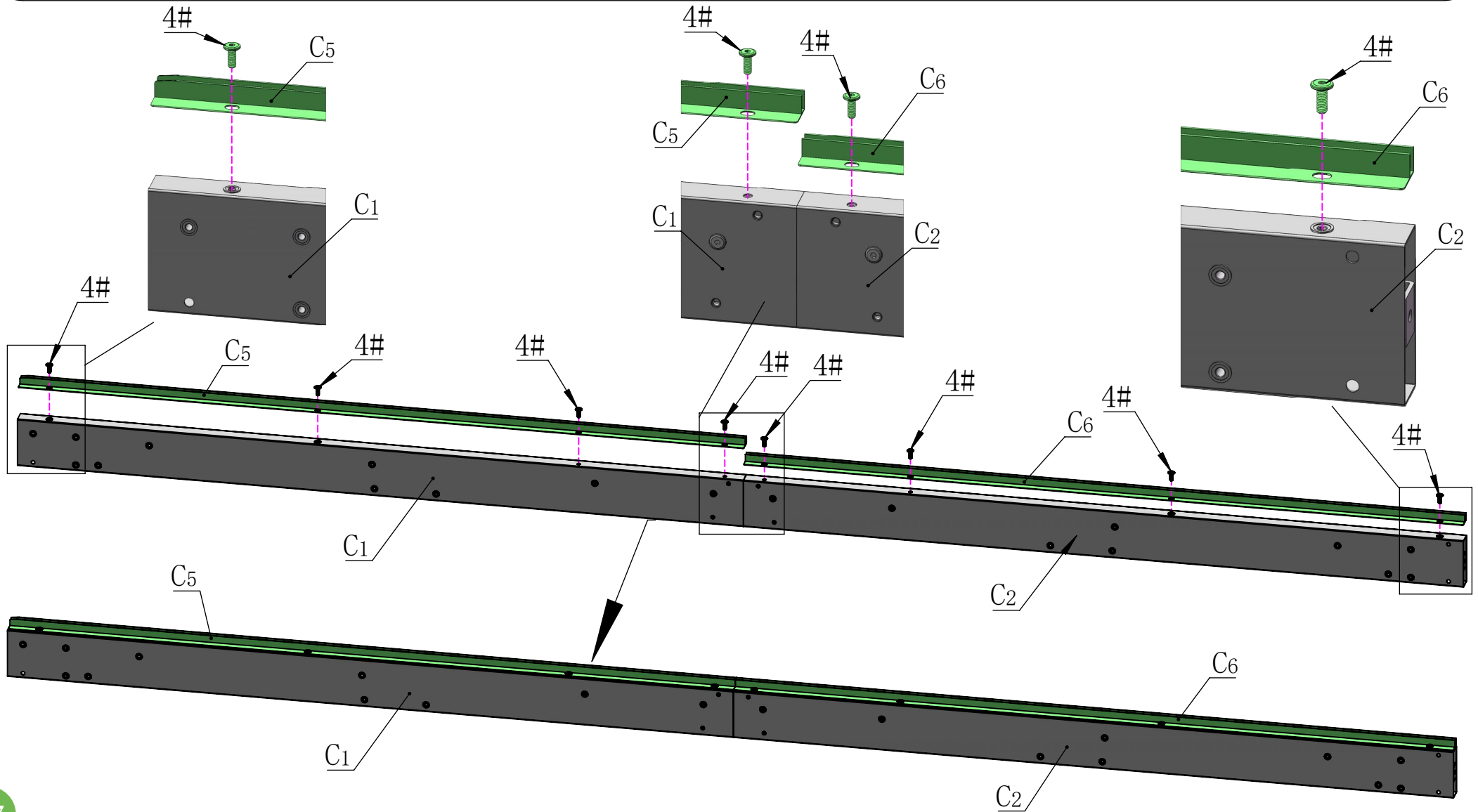
C6 1X

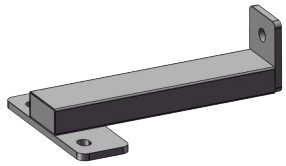


4# 8X

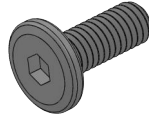


16# 1X



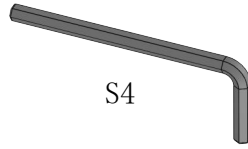


C4 1X



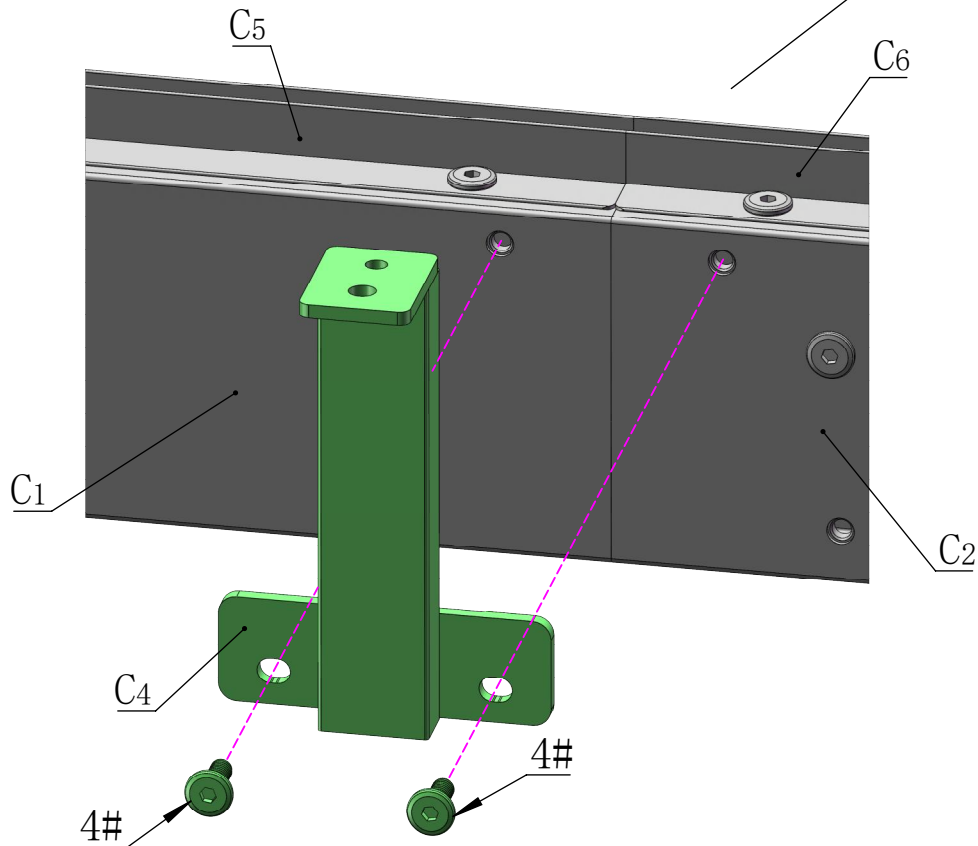
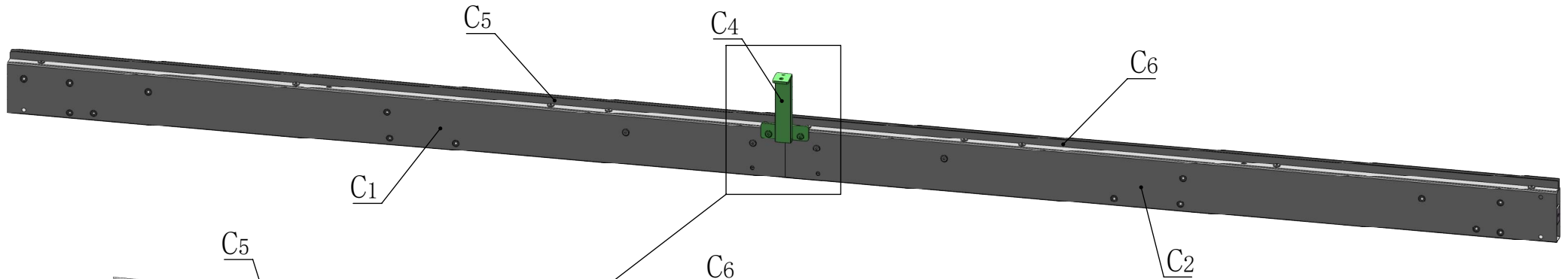
M6*16

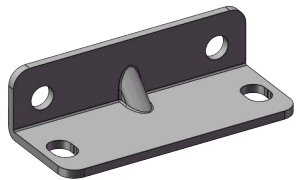
4# 2X



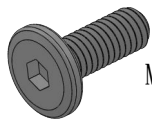
S4

16# 1X



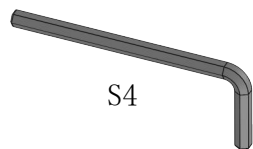


B6 2X



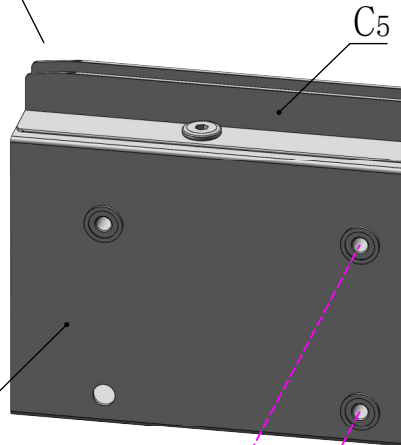
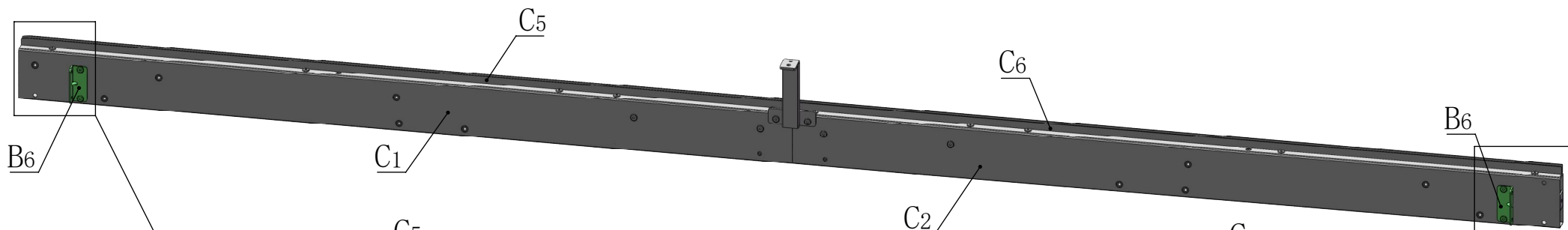
M6*16

4# 4X



S4

16# 1X



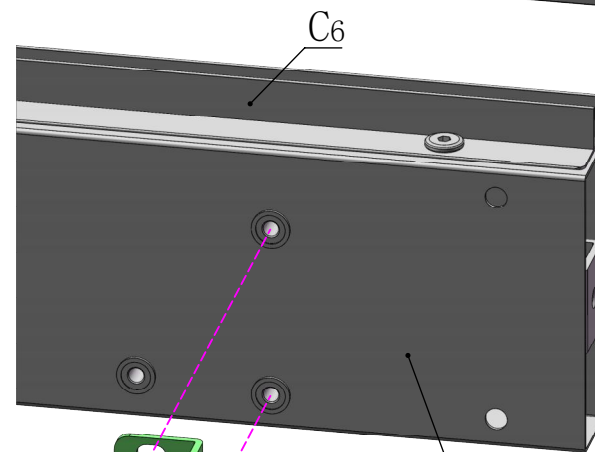
C1

C5

4#

4#

B6



C2

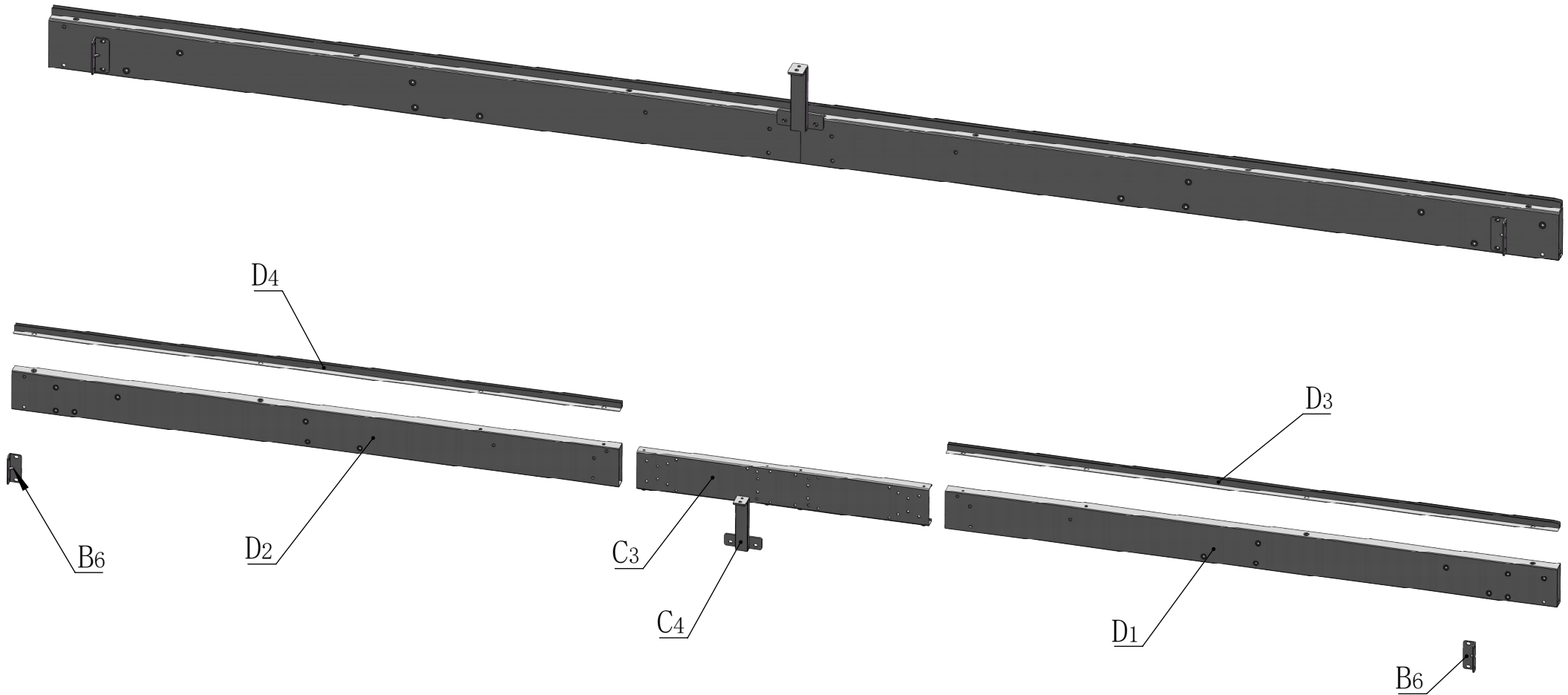
C6

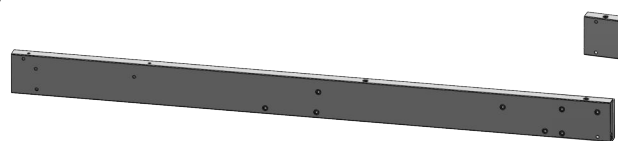
4#

4#

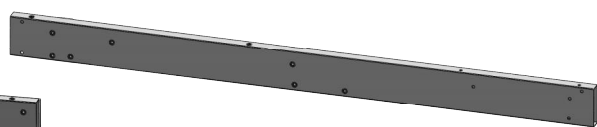
B6

Side Beam Assembly

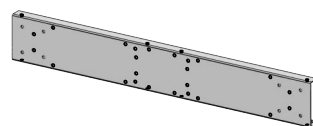




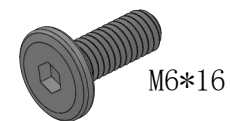
D1 1X



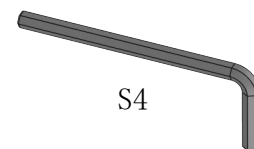
D2 1X



C3 1X

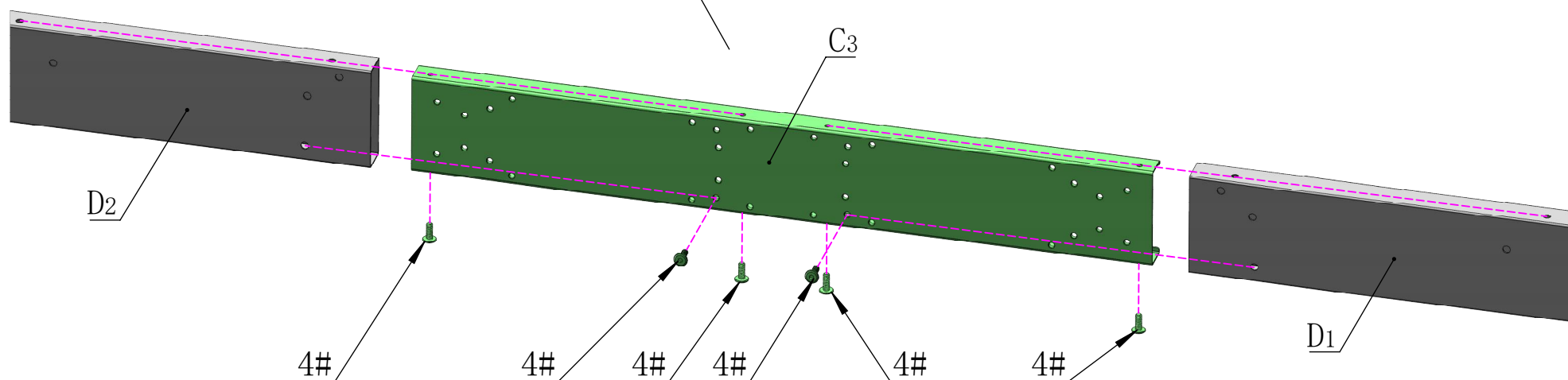
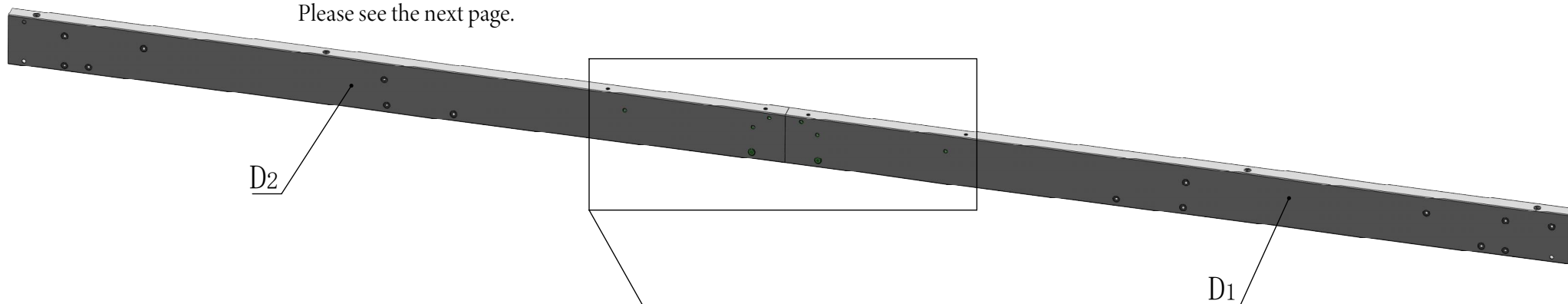


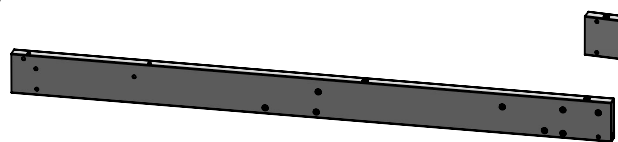
4# 6X



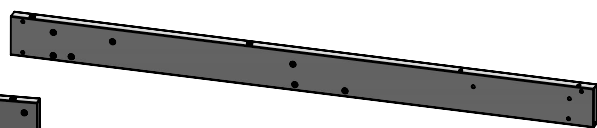
16# 1X

Attention: If you want to assemble based on **Model 2 (left side door)**, in addition to the two screws (#4) in the center of the original right side beam (D1/D2), the two screws (#4) at both ends of C3 also need to be installed. Please see the next page.

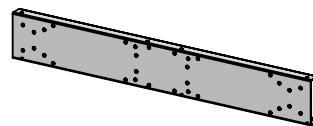




D1 1X



D2 1X

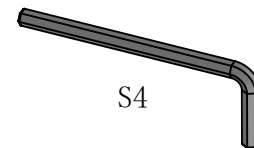


C3 1X



M6*16

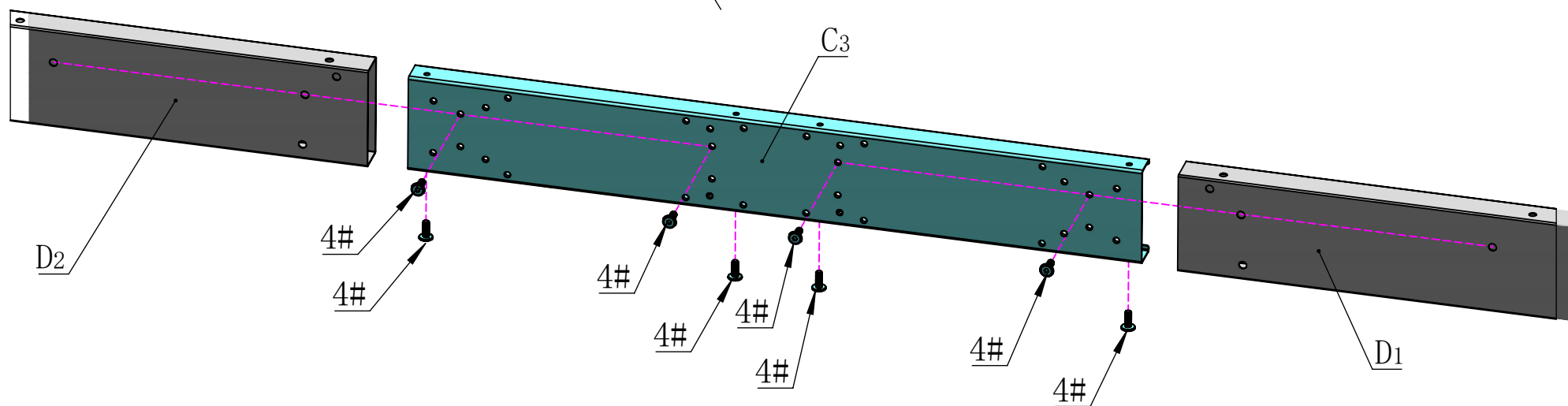
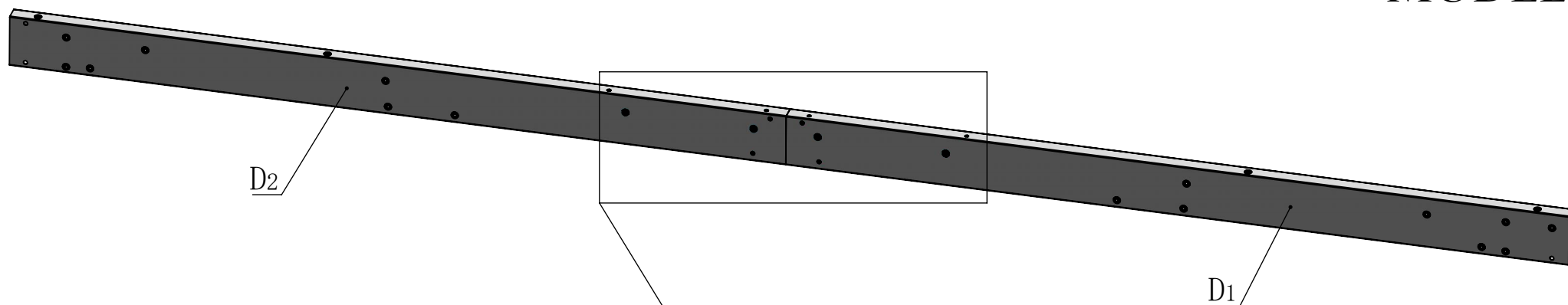
4#

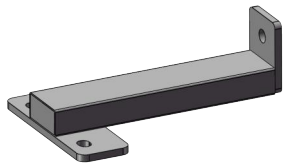


S4

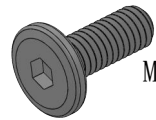
16# 1X

MODEL2



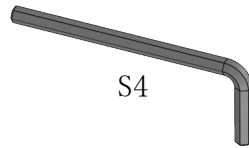


C4 1X



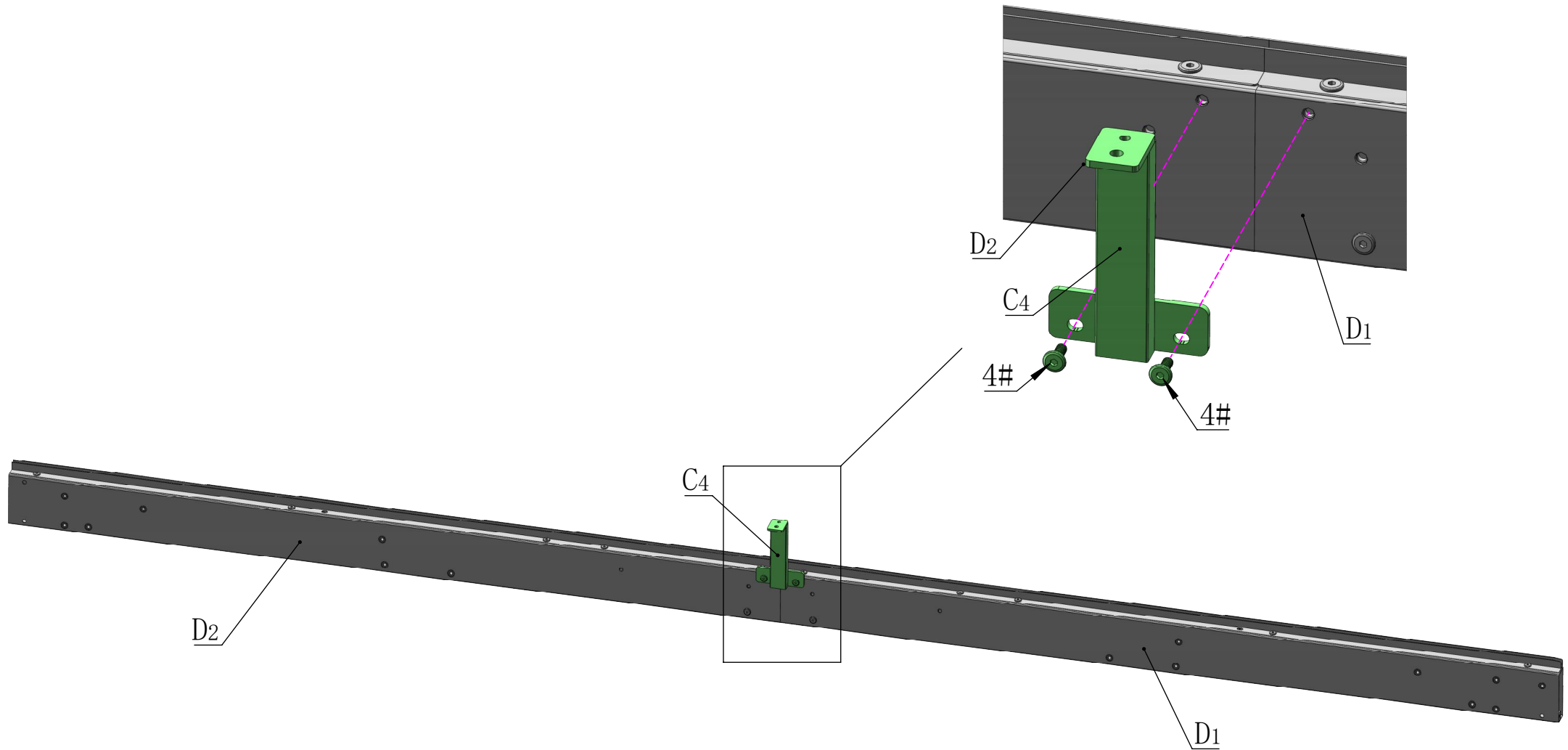
M6*16

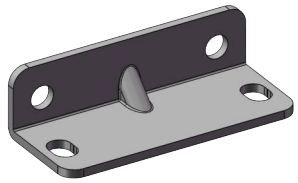
4# 2X



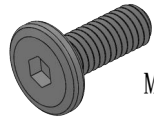
S4

16# 1X



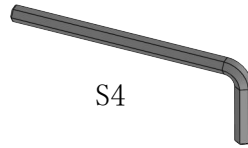


B6 2X



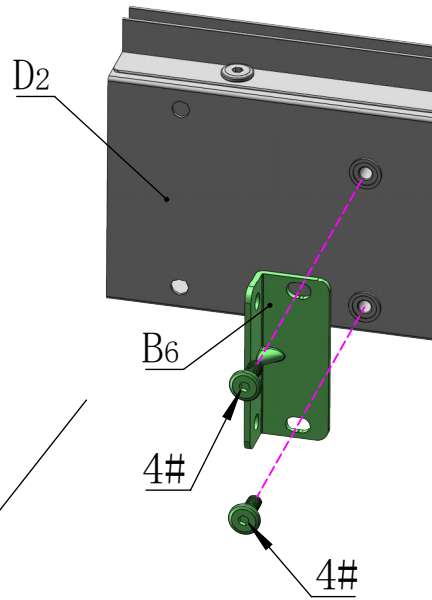
M6*16

4# 4X



S4

16# 1X

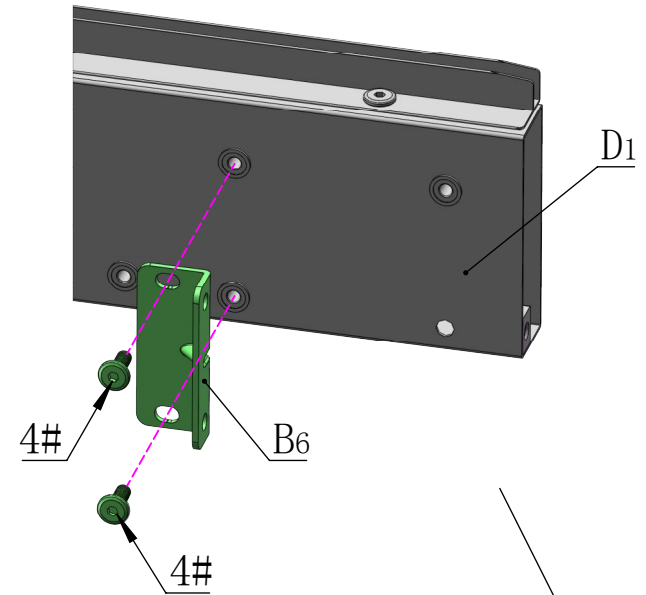


D2

B6

4#

4#

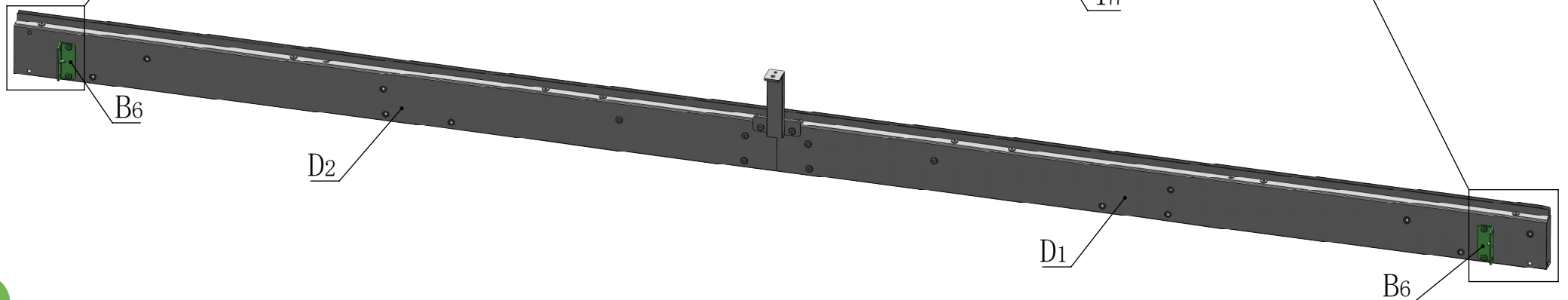


D1

B6

4#

4#



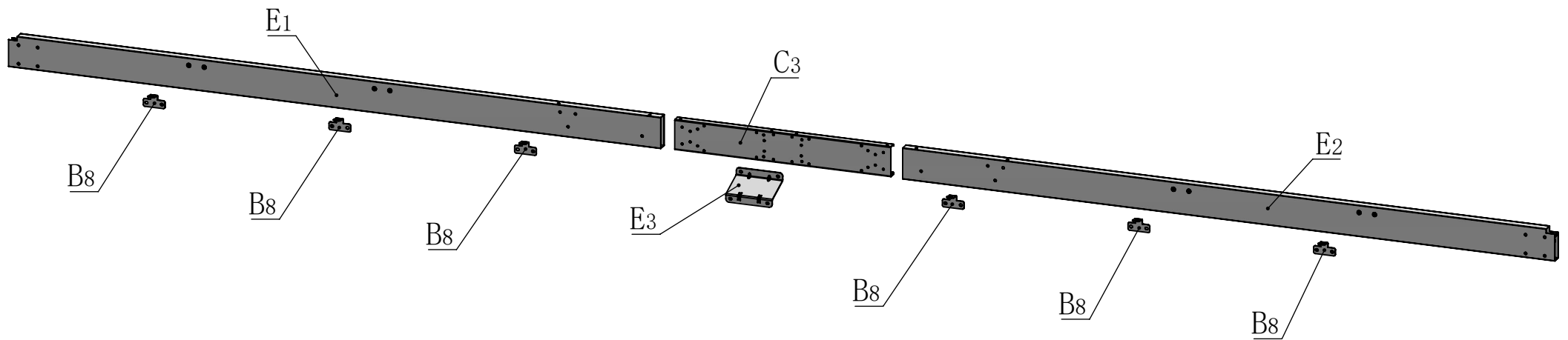
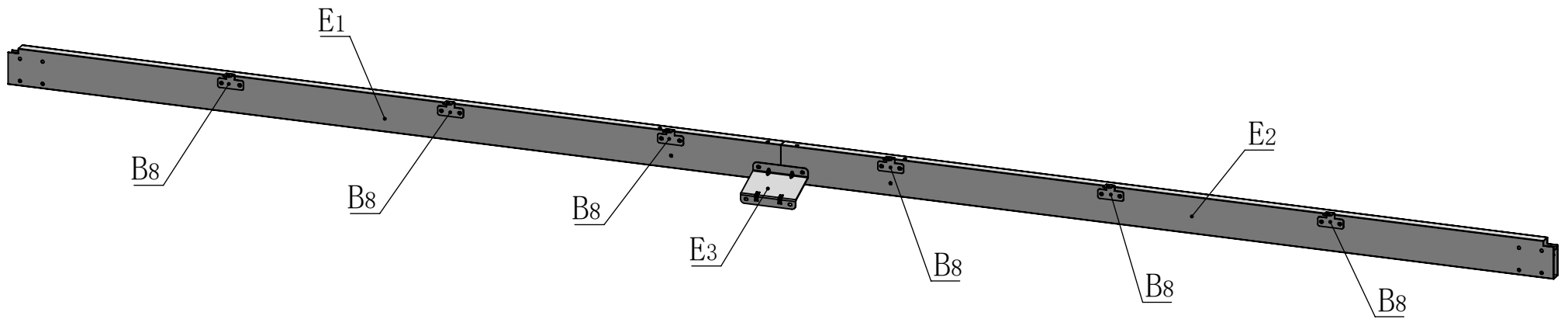
B6

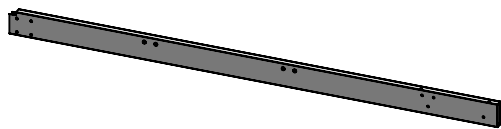
D2

D1

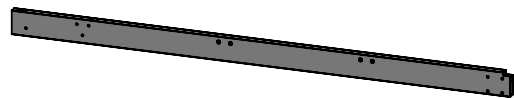
B6

Rear Beam Assembly

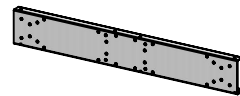




E1 1X



E2 1X



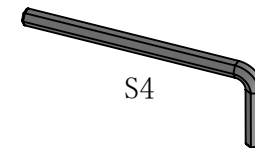
C3 1X



M6*16

4#

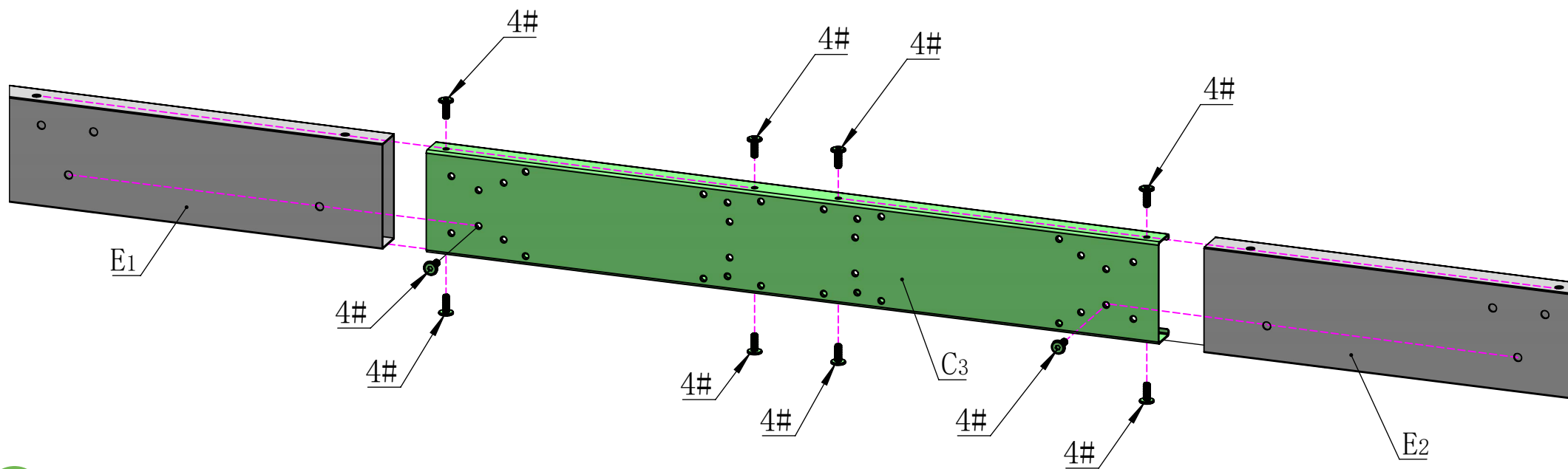
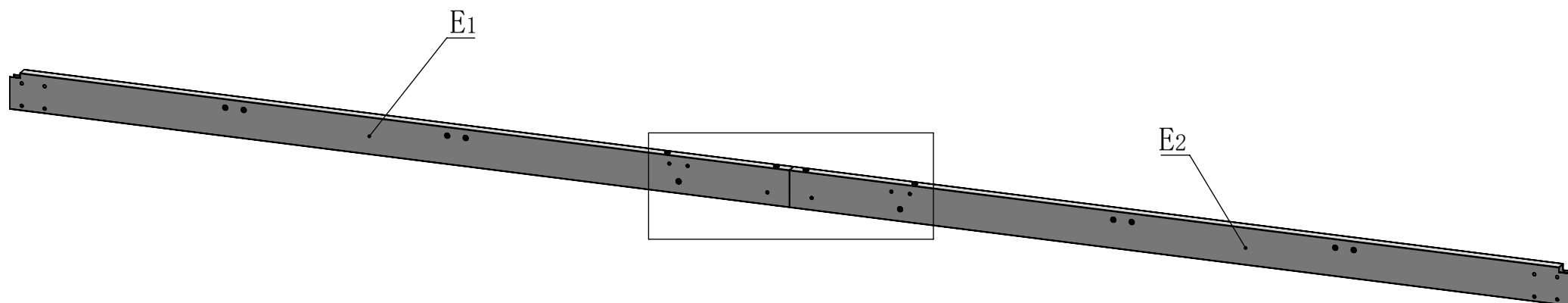
10X

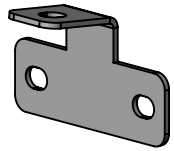


S4

16#

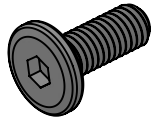
1X





B8

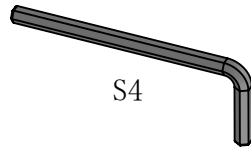
6X



M6*16

4#

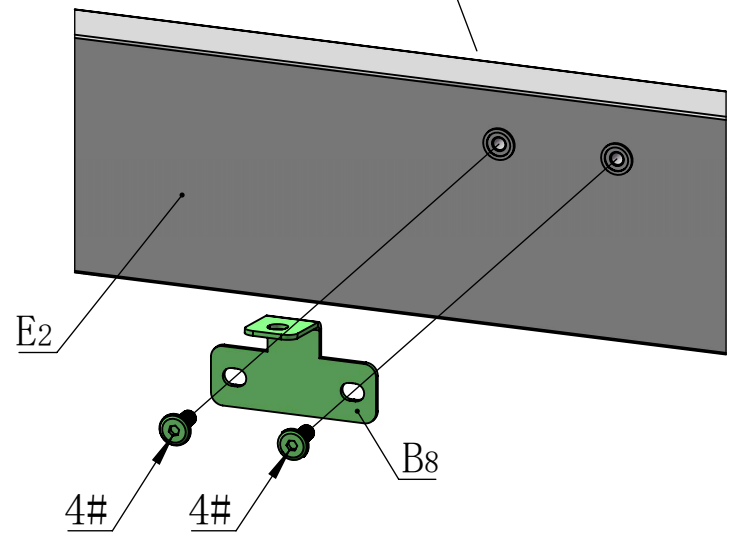
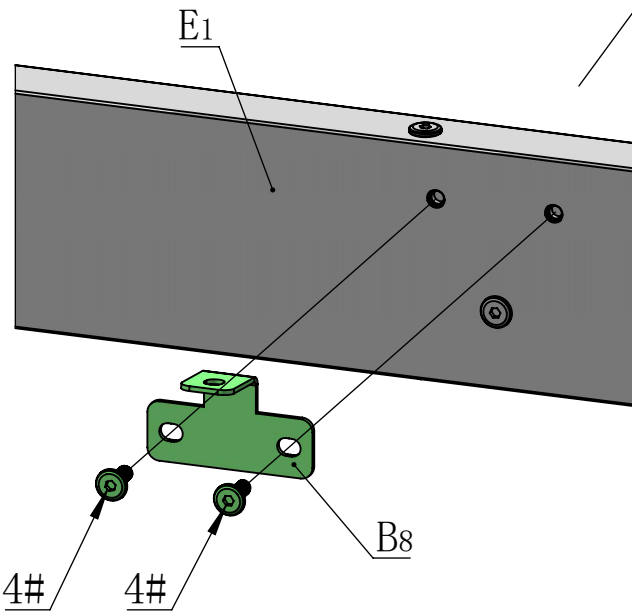
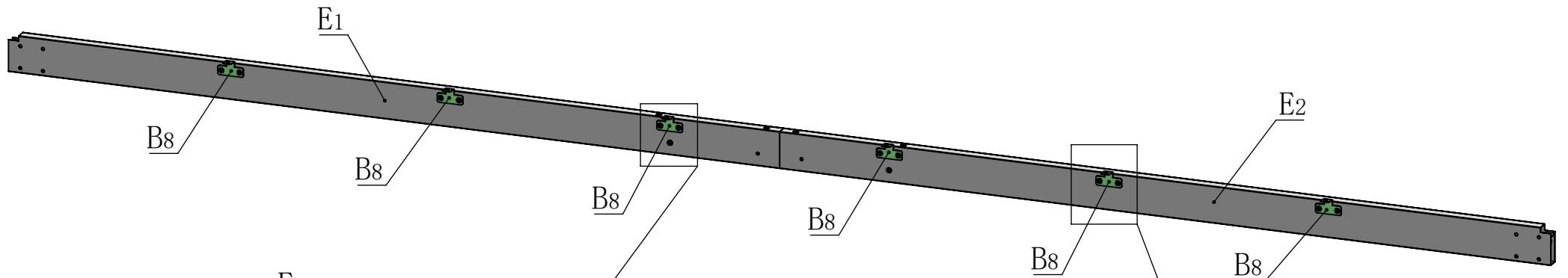
12X

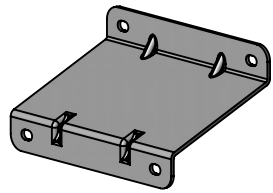


S4

16#

1X



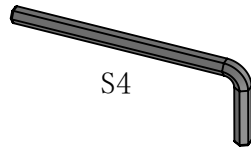


E3 1X



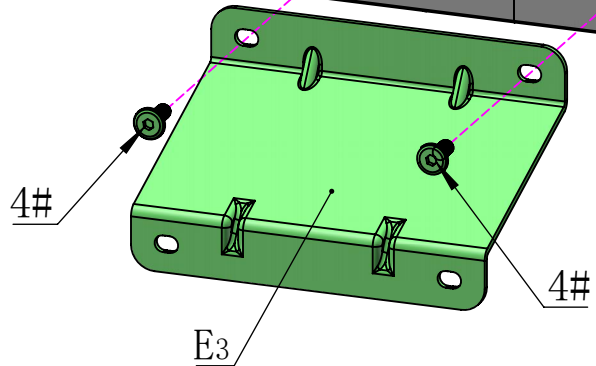
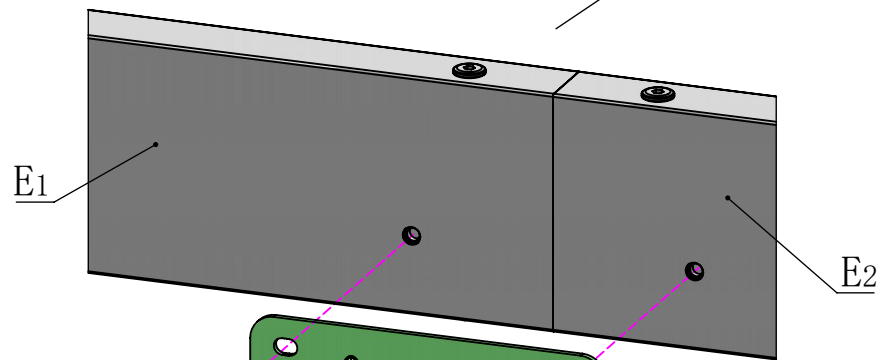
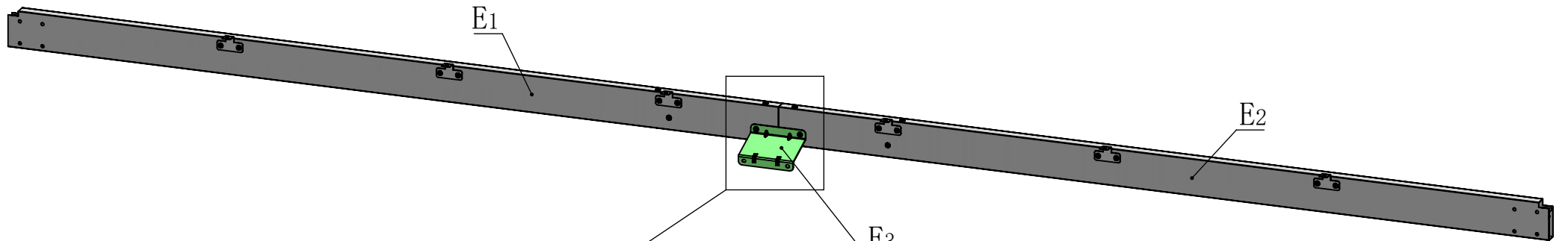
M6*16

4# 2X

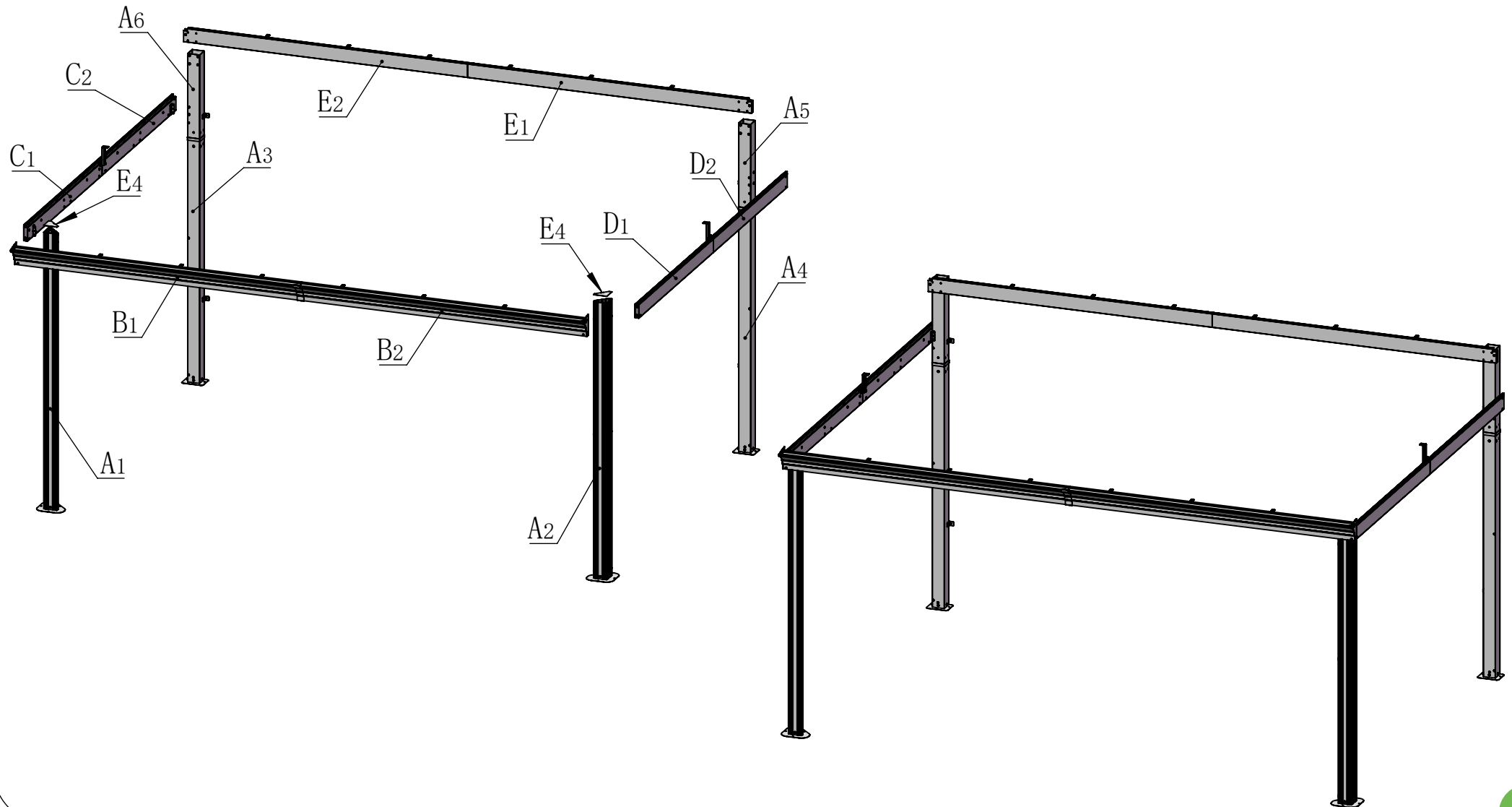


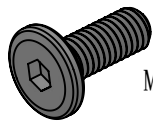
S4

16# 1X

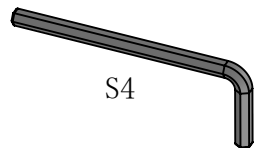


Frame Assembly





M6*16



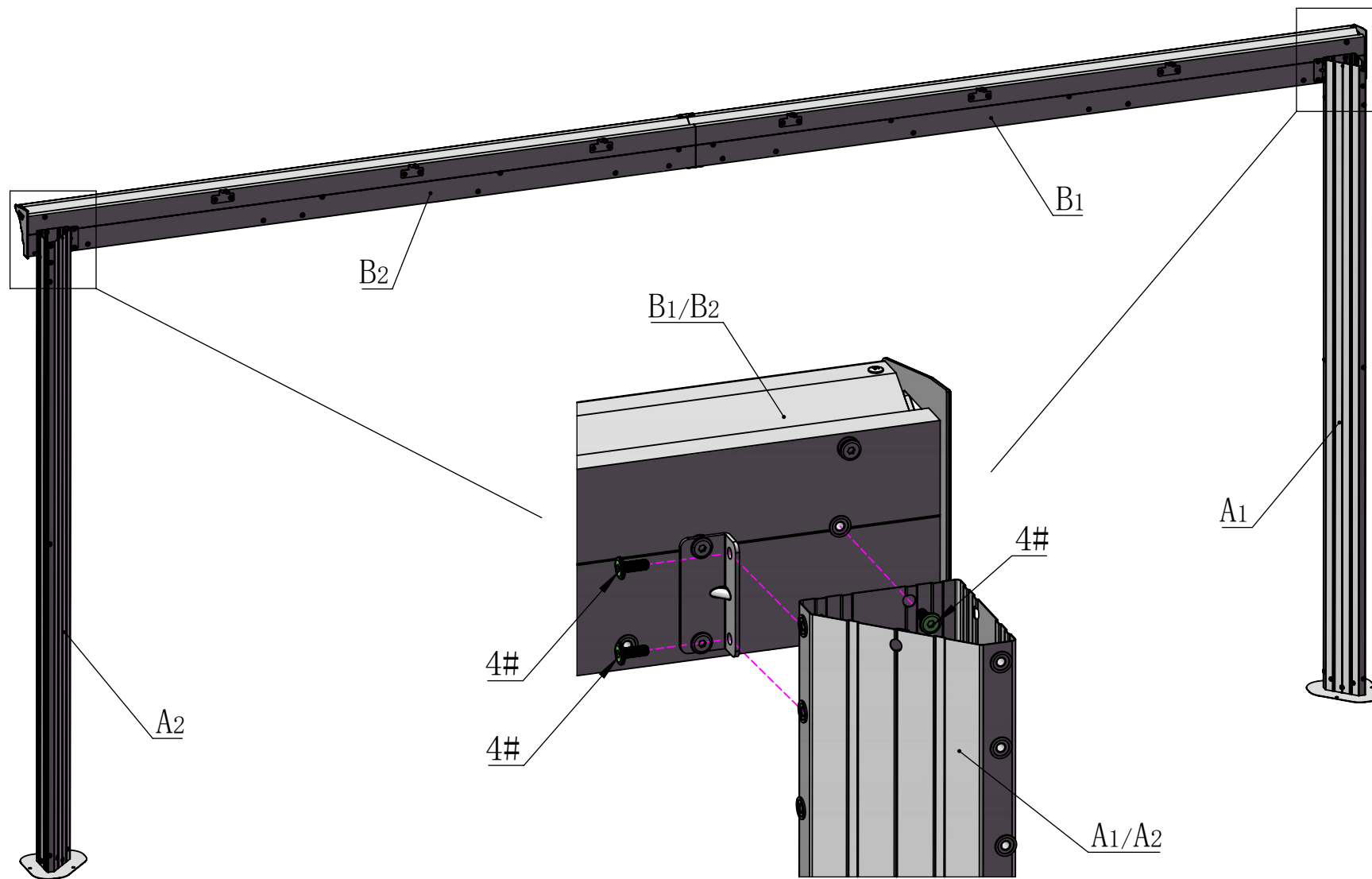
S4

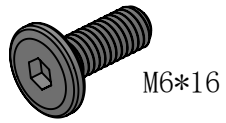
4#

6X

16#

1X

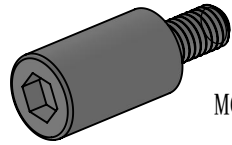




M6*16

4#

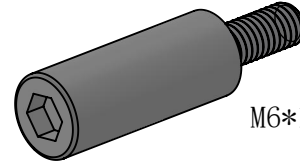
10X



M6*12 (L20)

7#

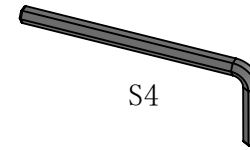
2X



M6*15 (L30)

8#

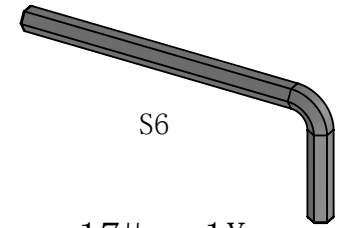
6X



S4

16#

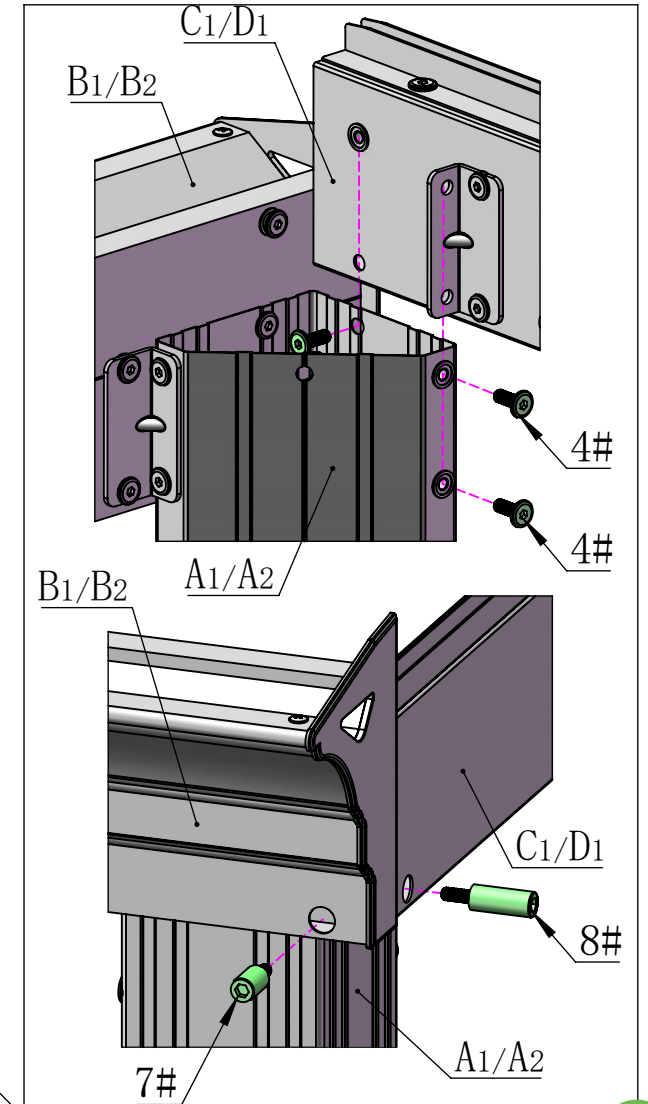
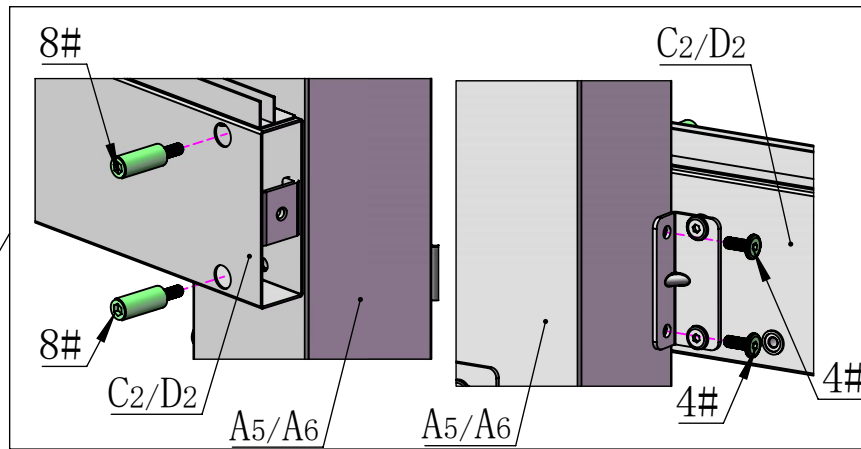
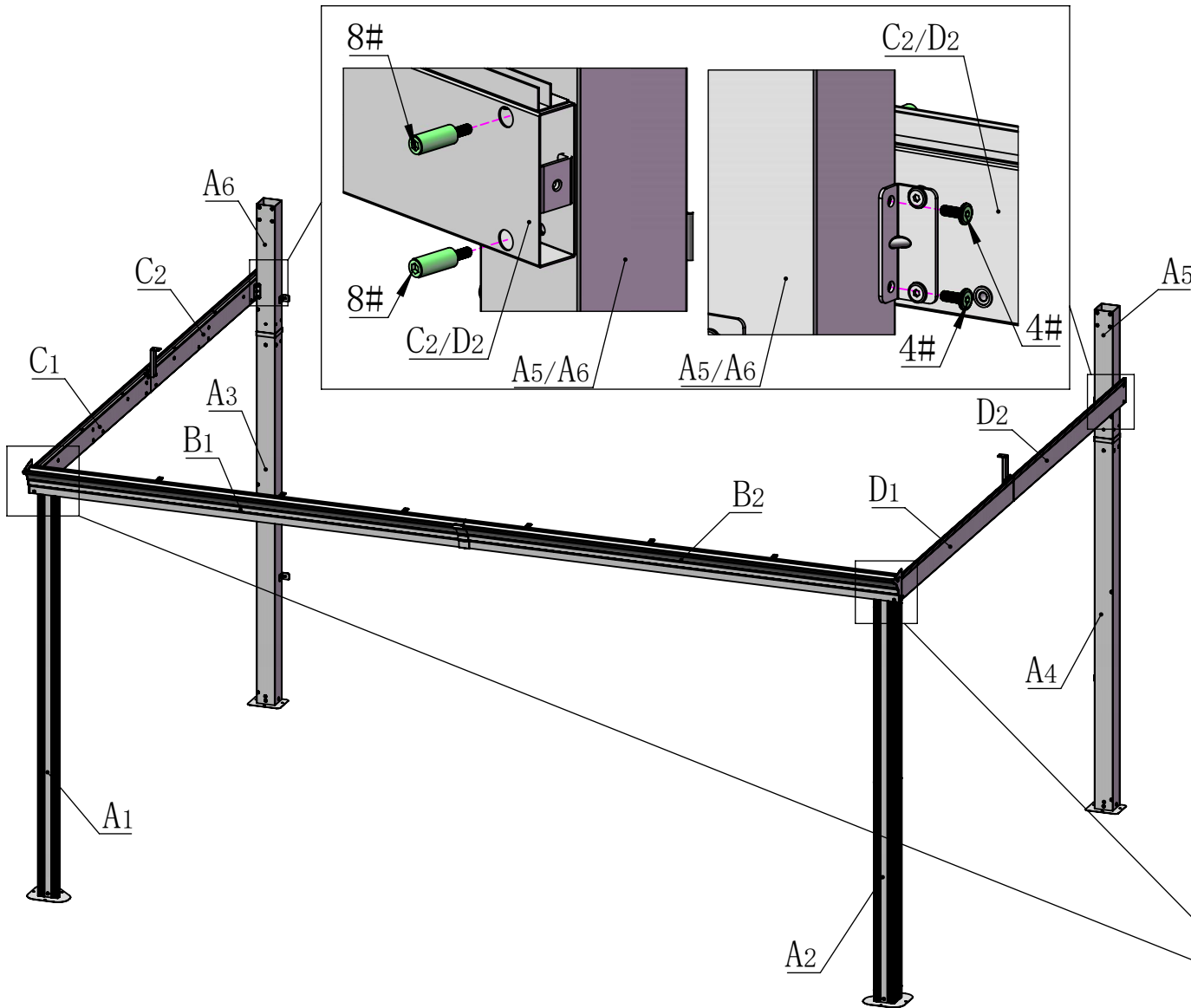
1X

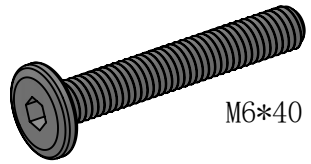


S6

17#

1X

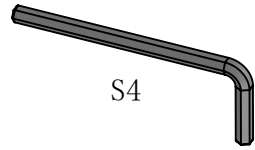




M6*40

6#

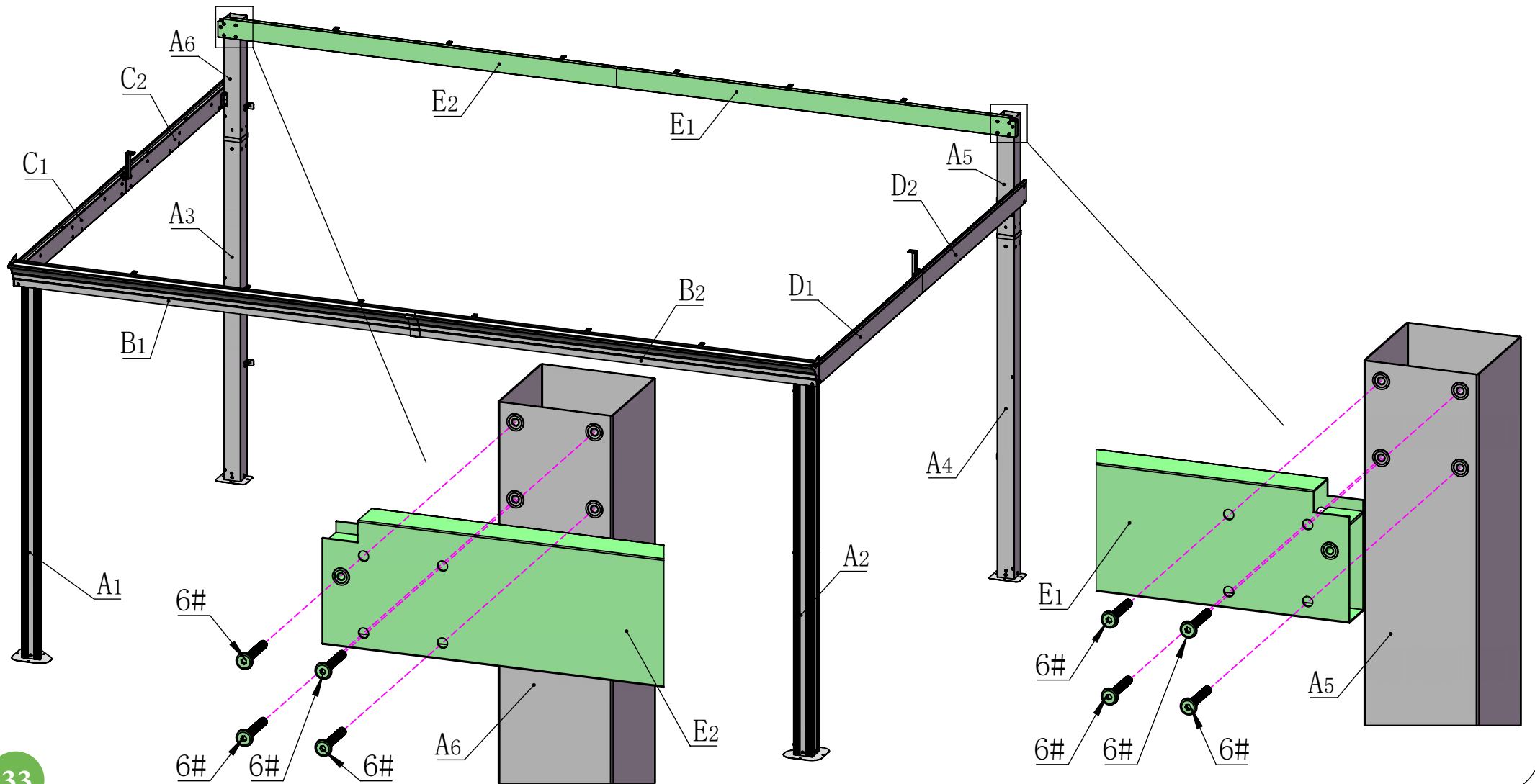
8X

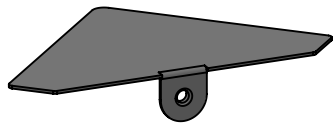


S4

16#

1X





E4

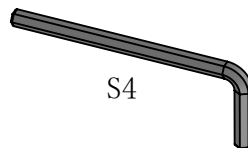
2X



M6*16

4#

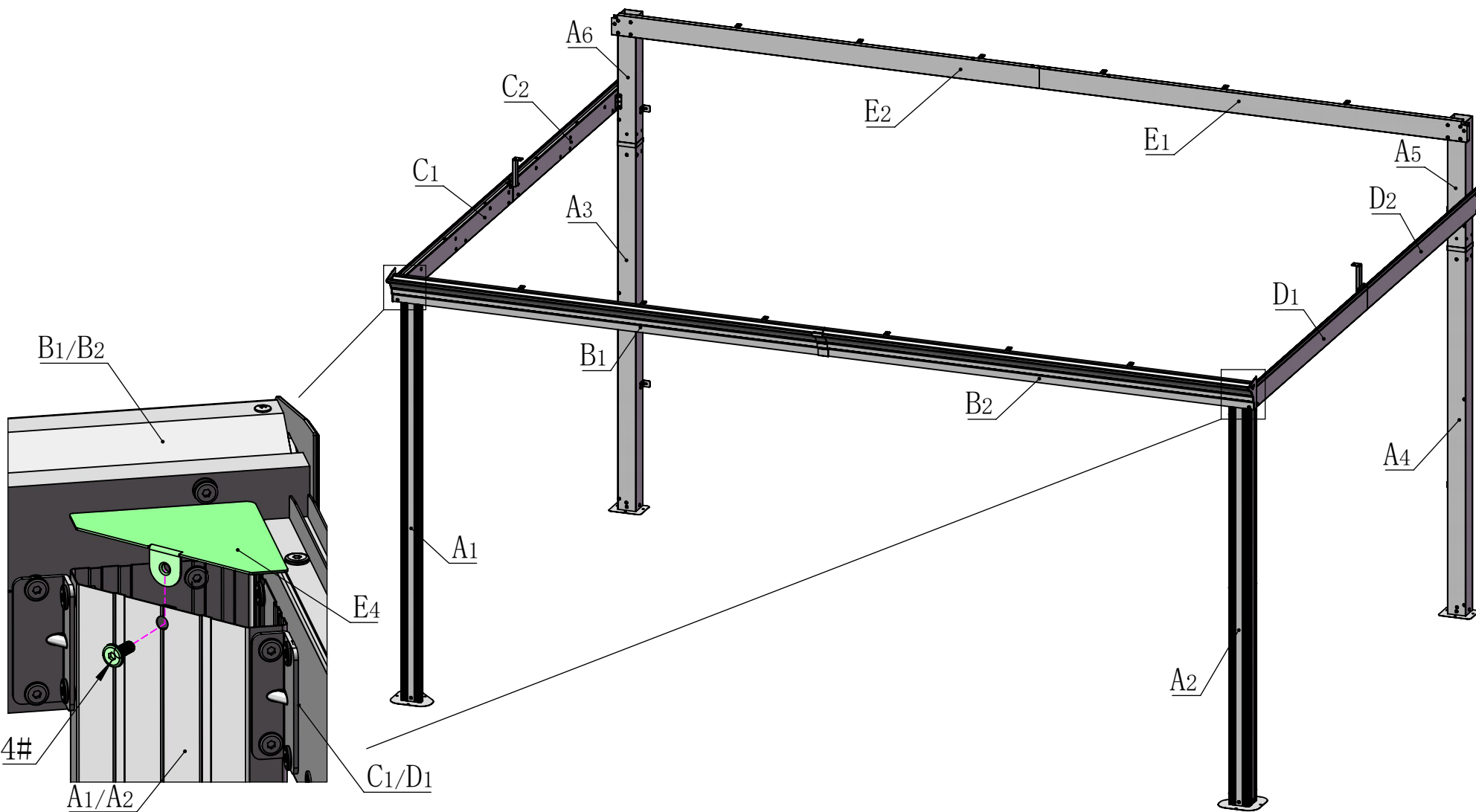
2X



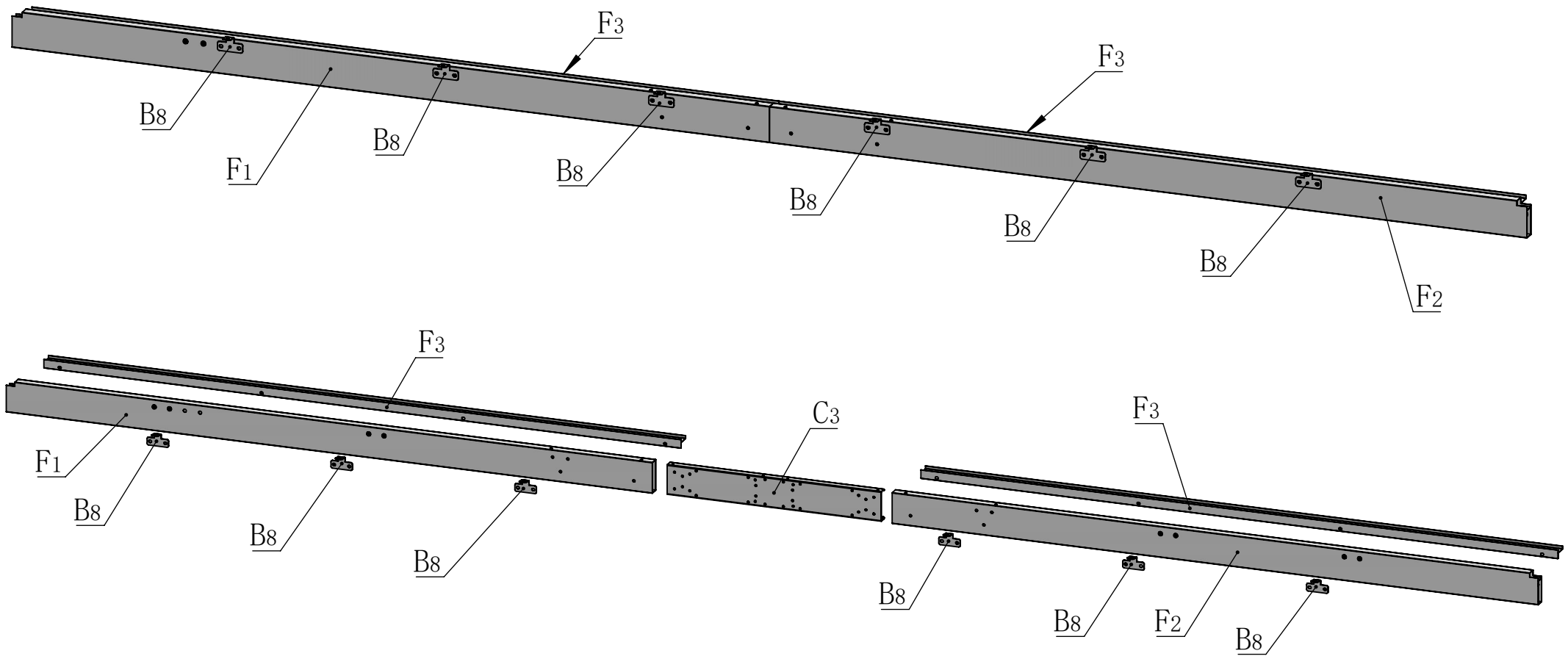
S4

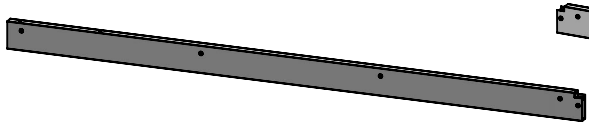
16#

1X

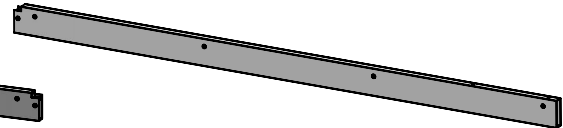


Middle Beam Assembly

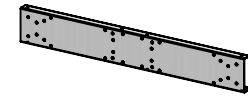




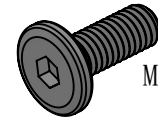
F1 1X



F2 1X

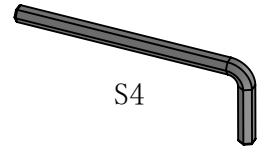


C3 1X



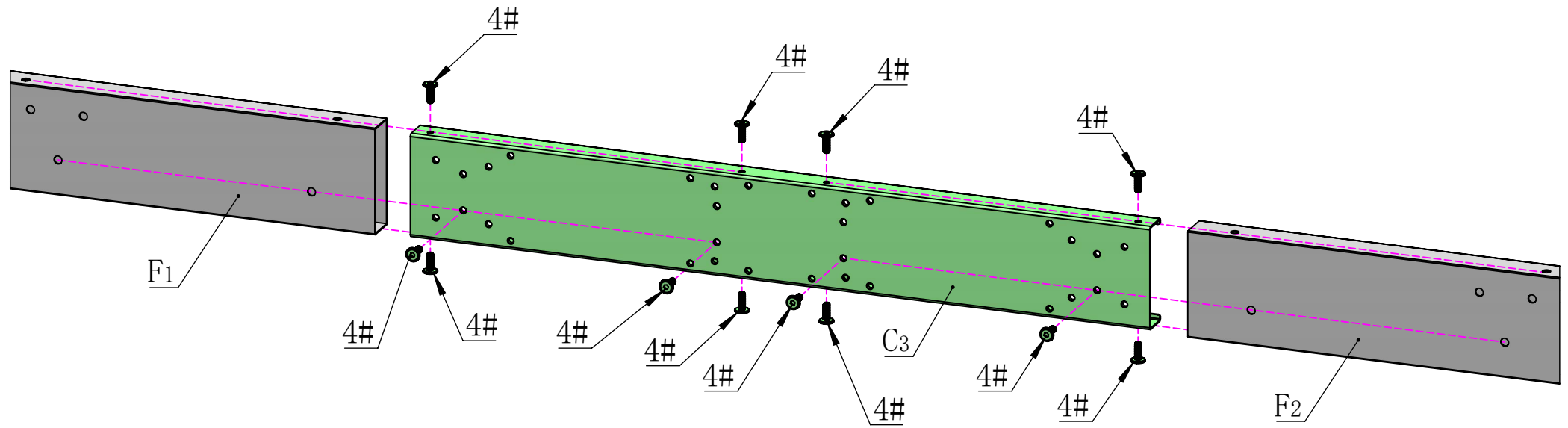
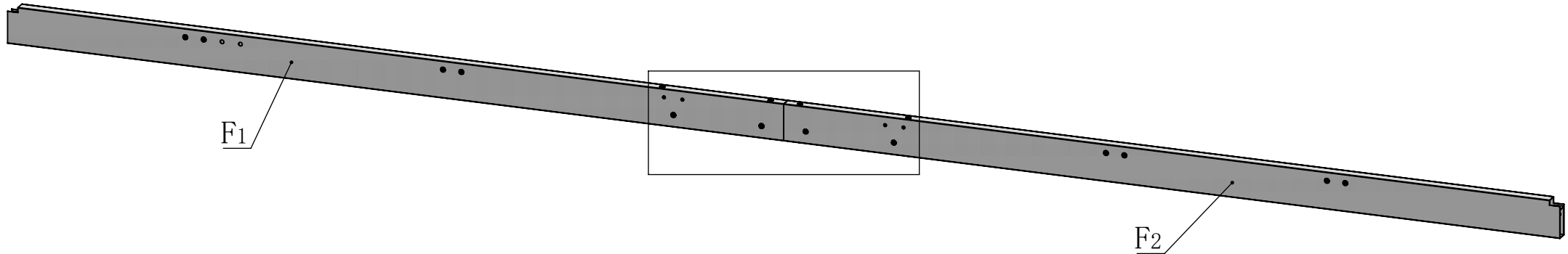
M6*16

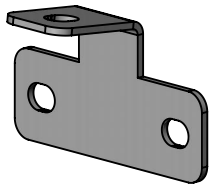
4# 12X



S4

16# 1X

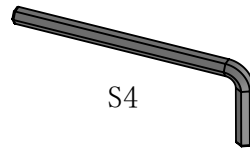




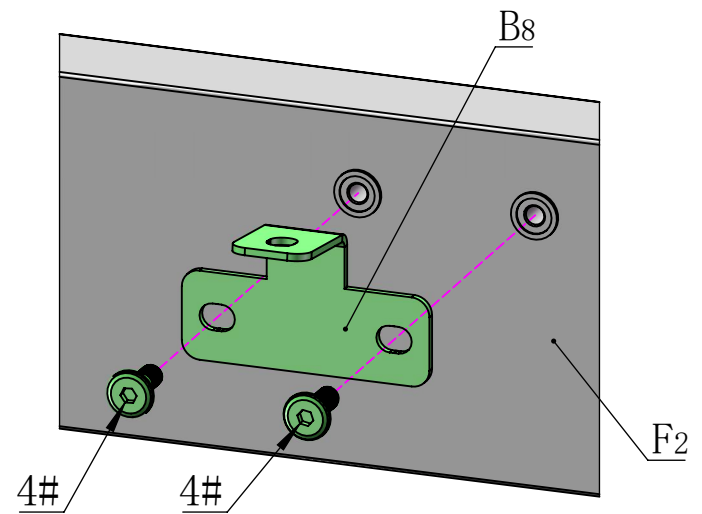
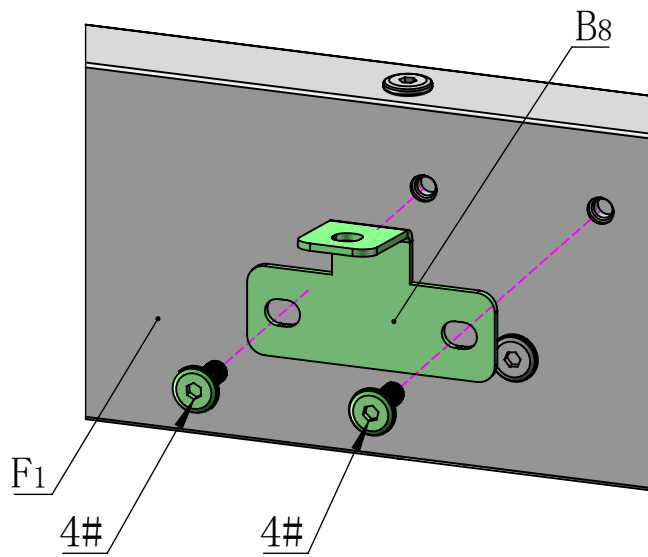
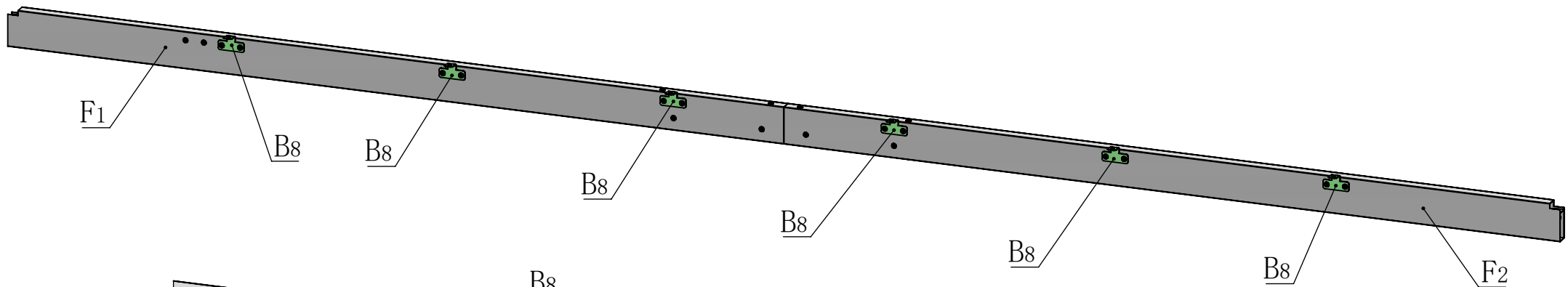
B8 6X

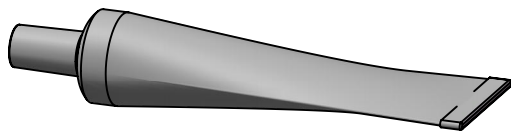


M6*16
4# 12X



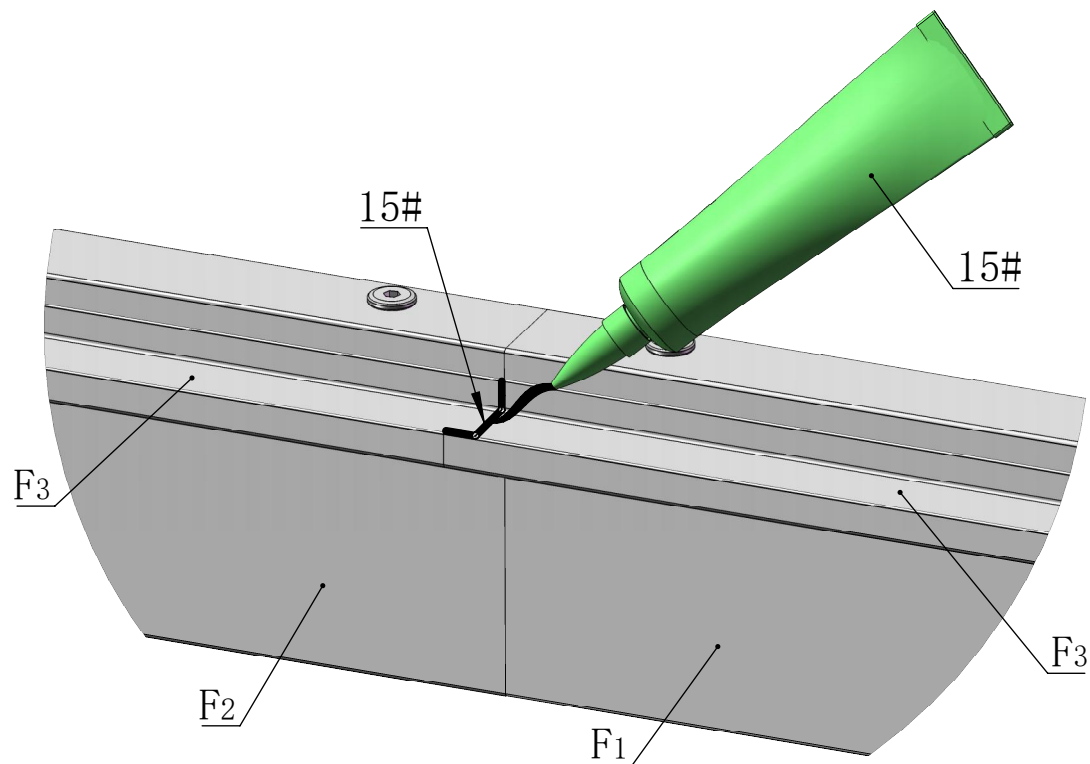
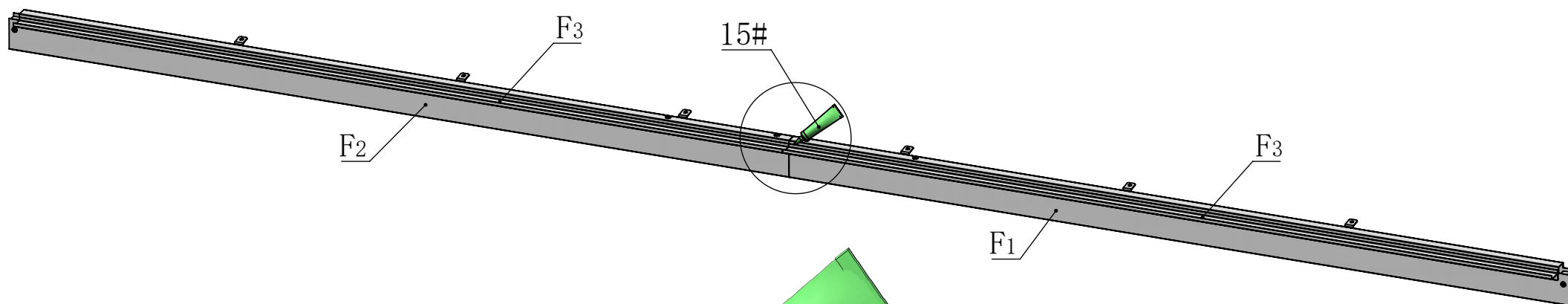
S4
16# 1X

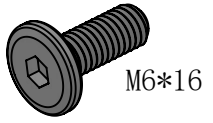




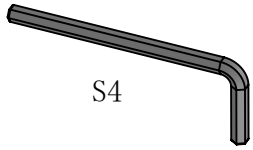
Use silicone sealant (part #15) to affix the gap between the two beams

15# 1X





M6*16



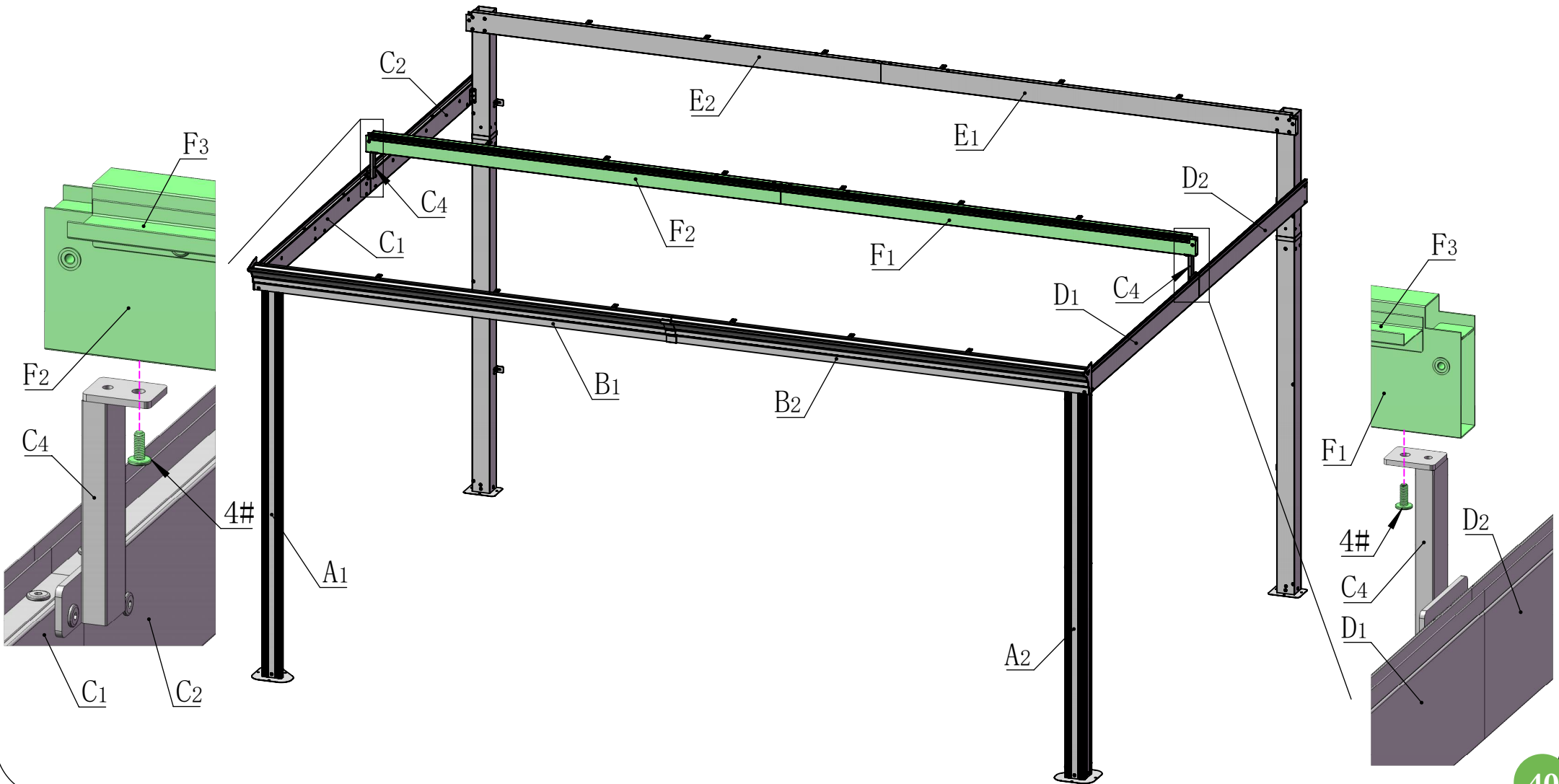
S4

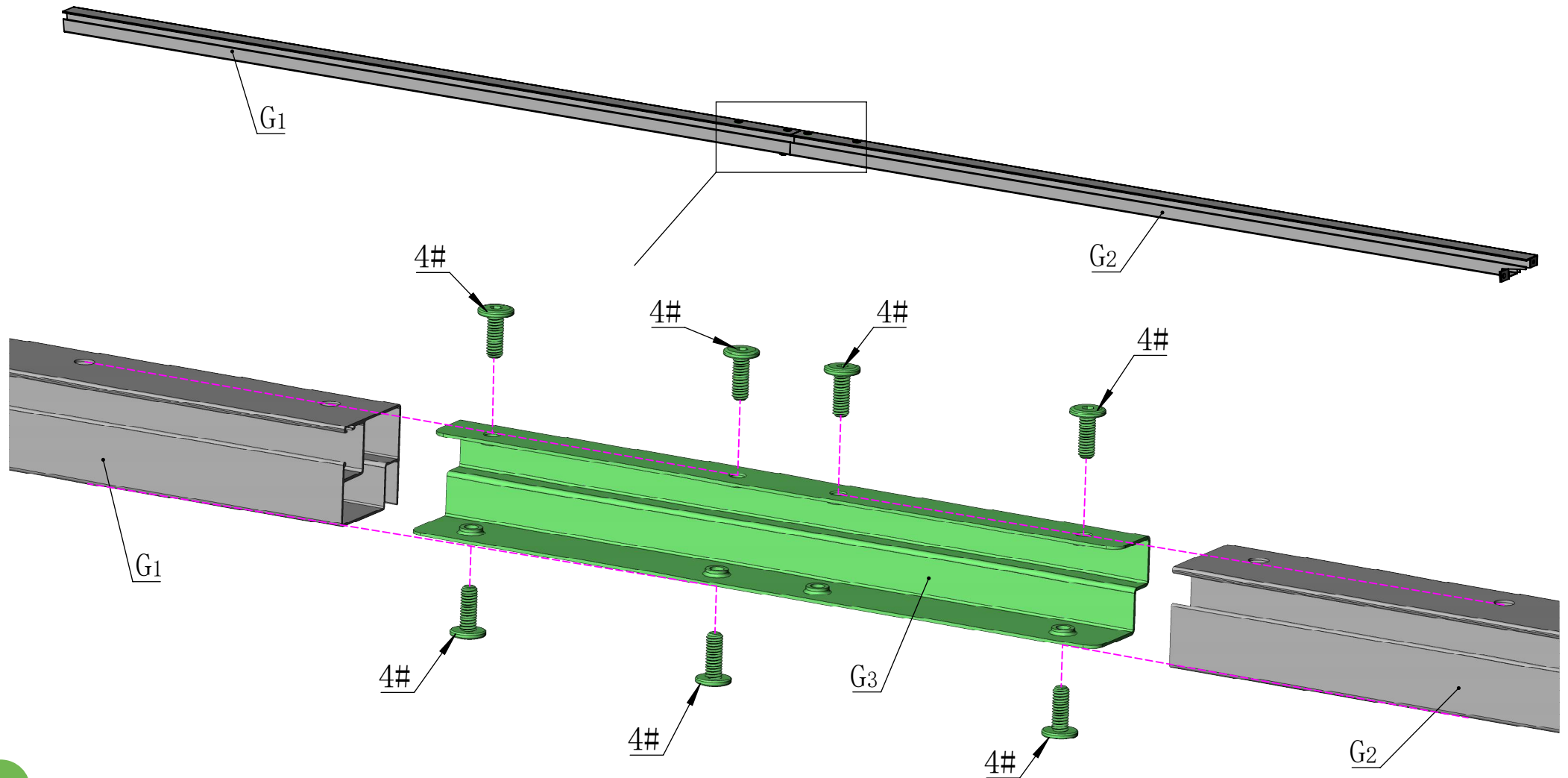
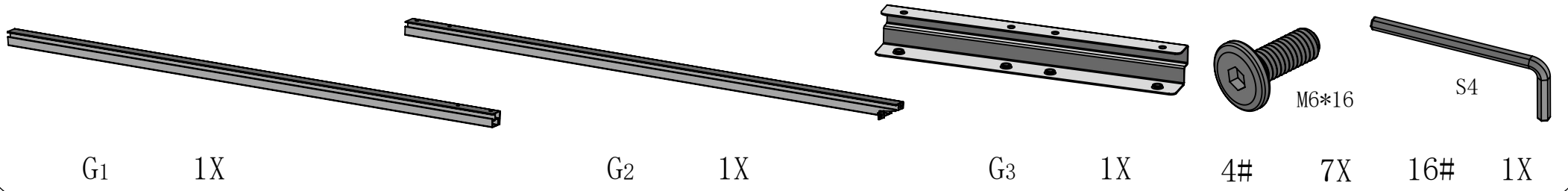
4#

2X

16#

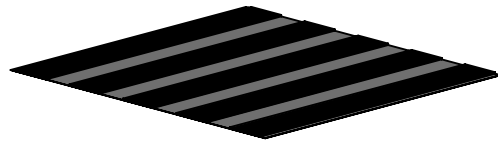
1X





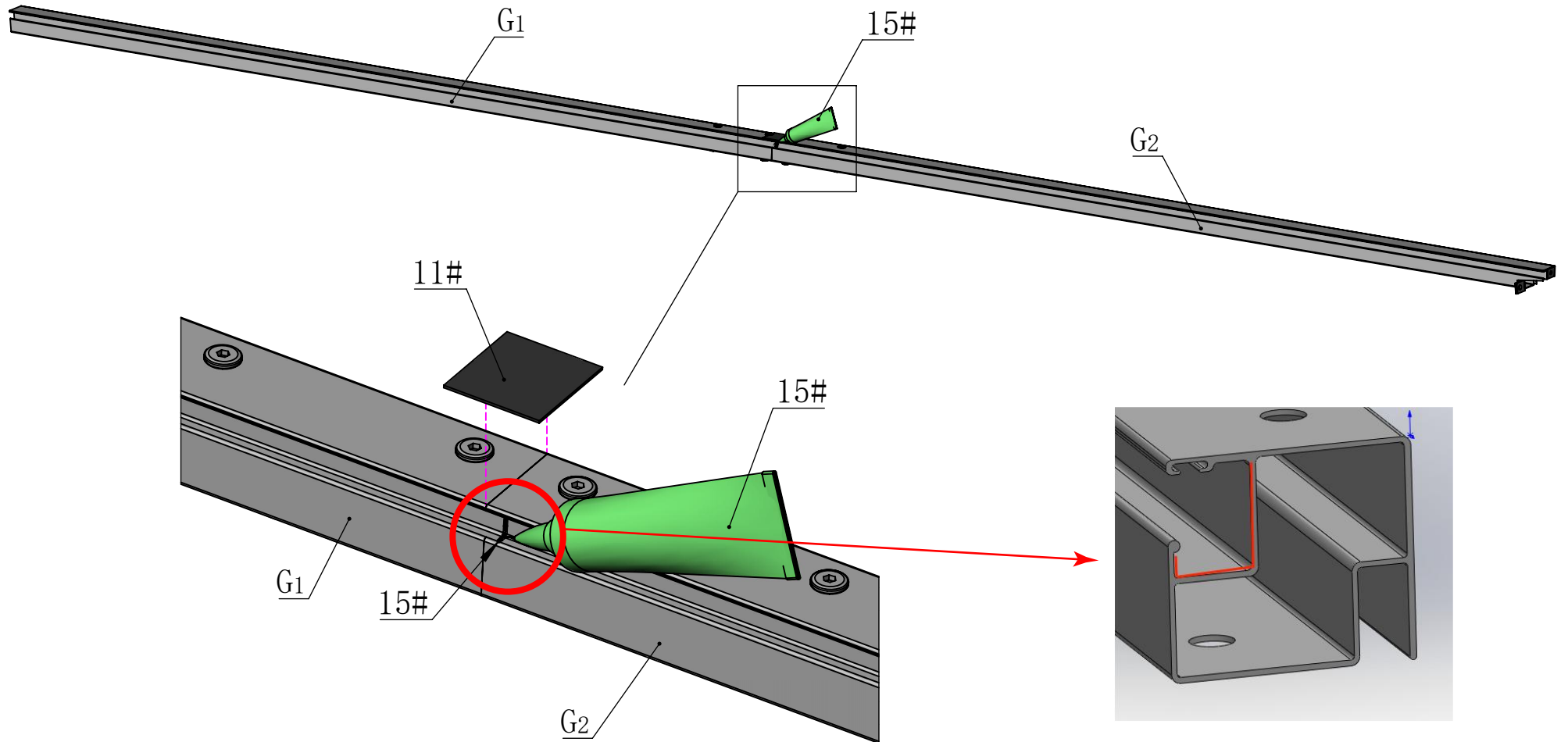


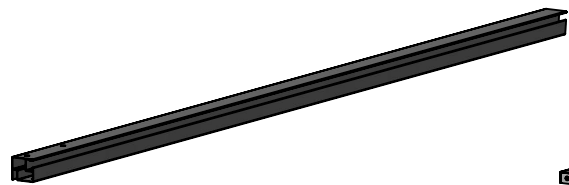
15# 1X



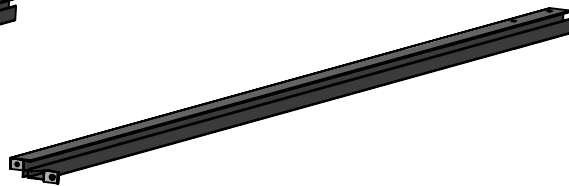
11# 1X

Apply a strip of waterproof tape (part #11) on the gap between G1 and G2. Then, fill the gap in the groove with silicone sealant (part #15).

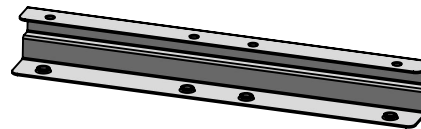




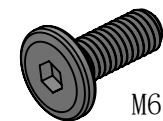
G4 1X



G5 1X

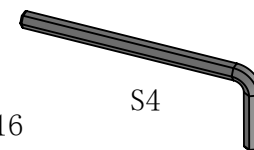


G3 1X



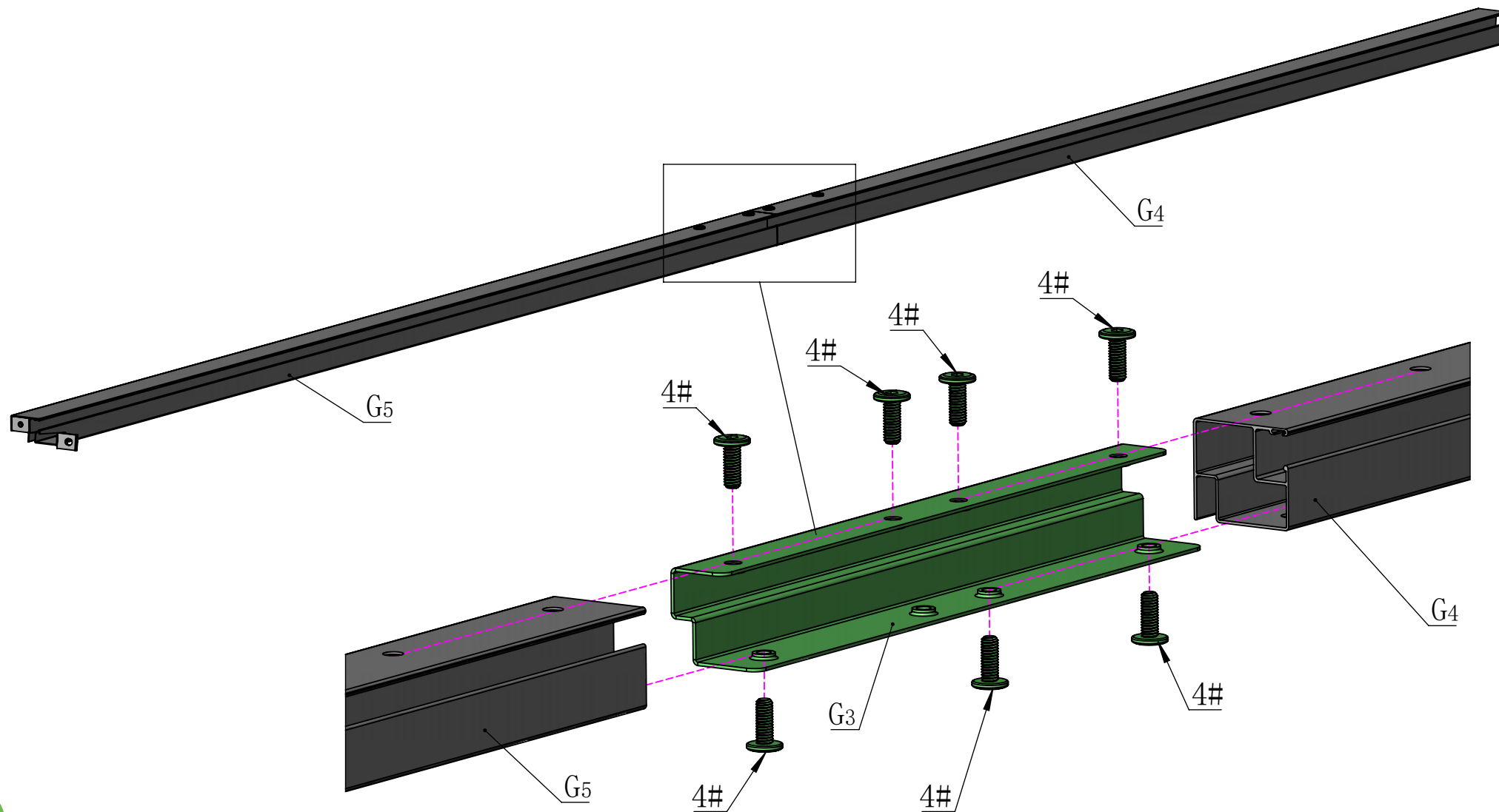
M6*16

4# 7X



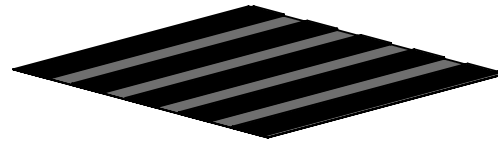
S4

16# 1X



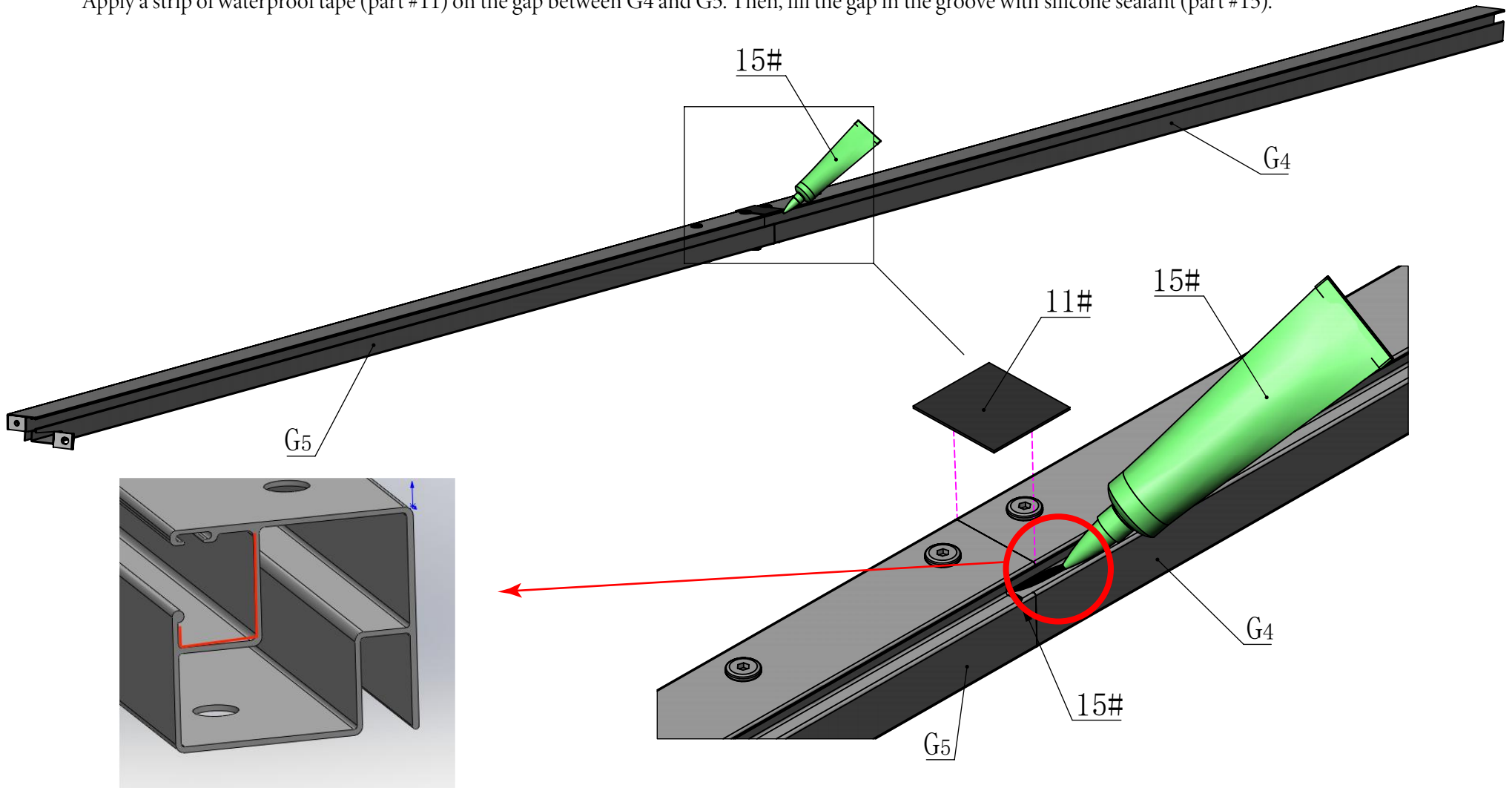


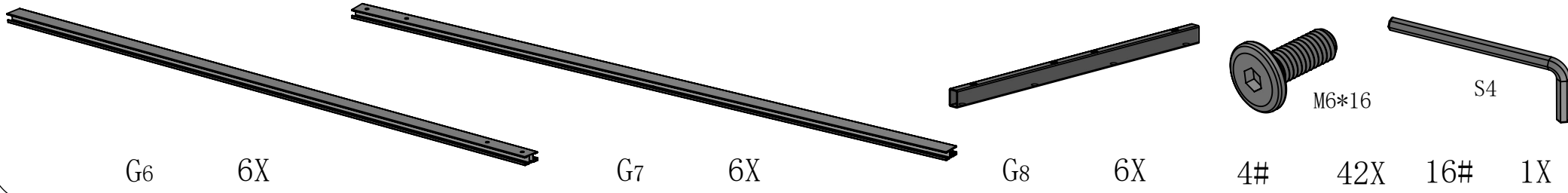
15# 1X



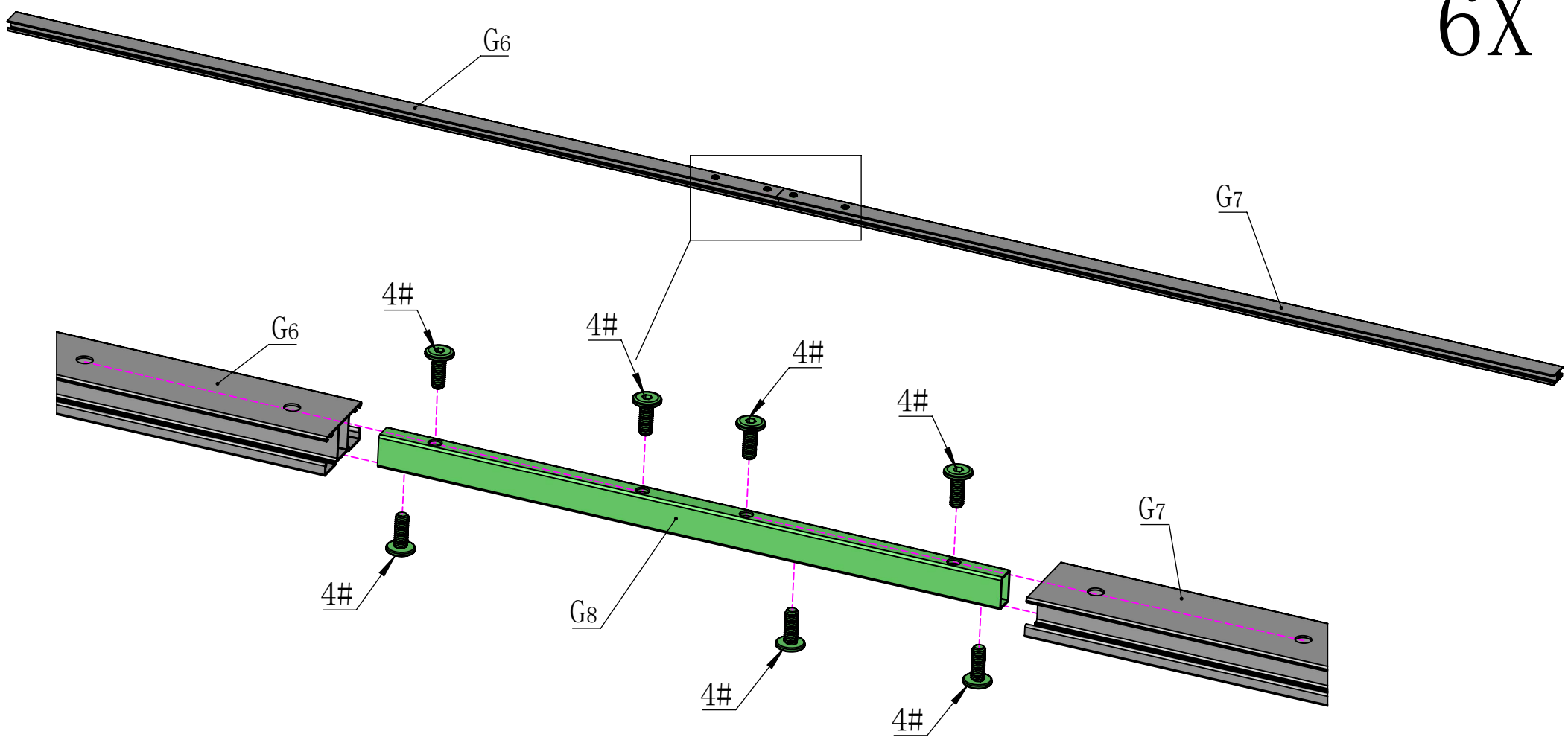
11# 1X

Apply a strip of waterproof tape (part #11) on the gap between G4 and G5. Then, fill the gap in the groove with silicone sealant (part #15).





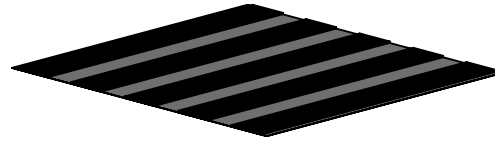
6X





15#

1X

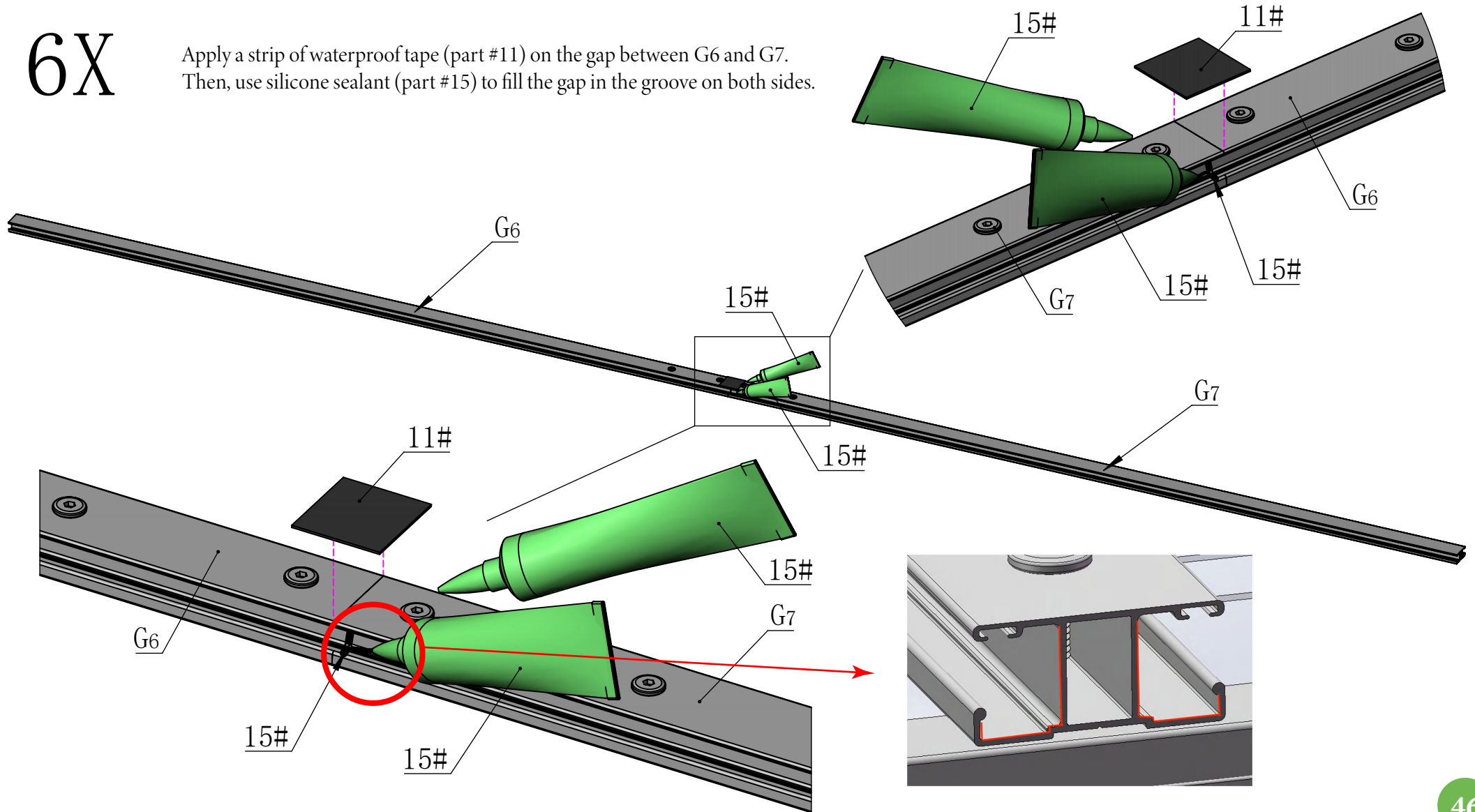


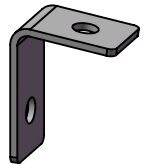
11#

1X

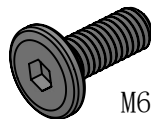
6X

Apply a strip of waterproof tape (part #11) on the gap between G6 and G7.
Then, use silicone sealant (part #15) to fill the gap in the groove on both sides.

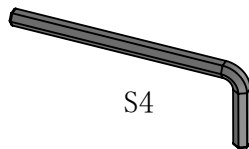




G9 4X

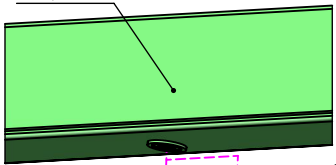


M6*16
4# 10X

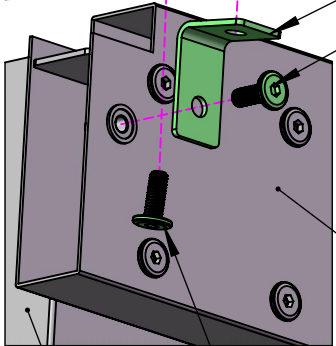


S4
16# 1X

G4/G1

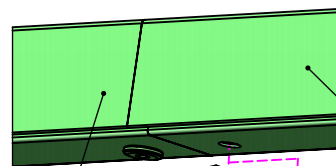


G9
4#



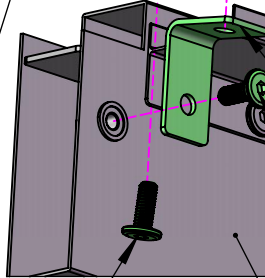
E2/E1

A6/A5
4#



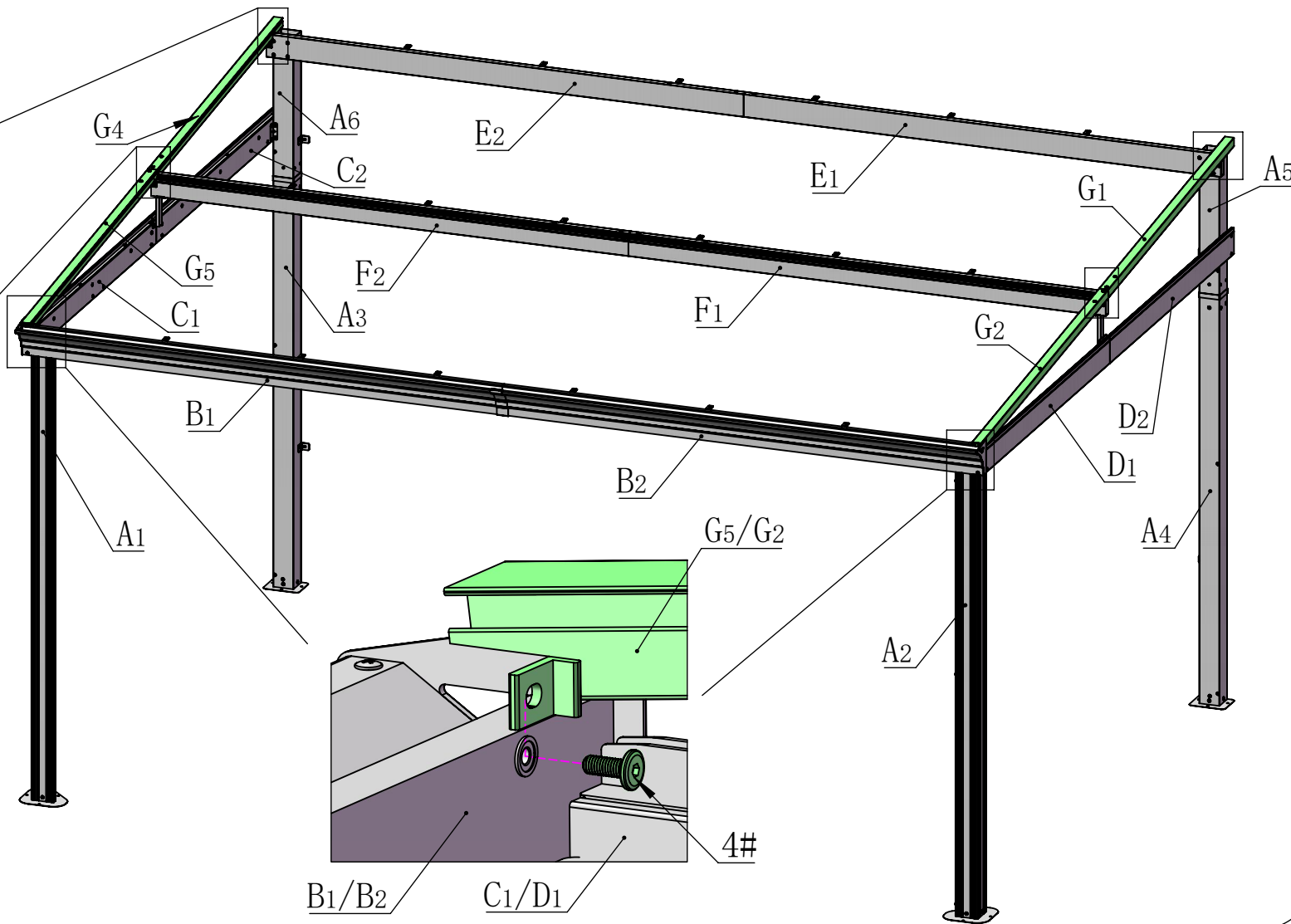
G5/G2

G4/G1



G9
4#

F2/F1
4#



B1/B2

C1/D1

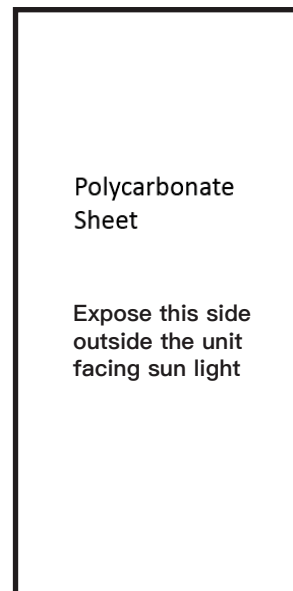
G5/G2

A2

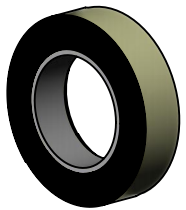
4#

IMPORTANT! POLYCARBONATE INFORMATION

- Each polycarbonate panel has a UV coating on only ONE (1) side of the panel.
- To install properly so the UV coating is on the outside of the panel.

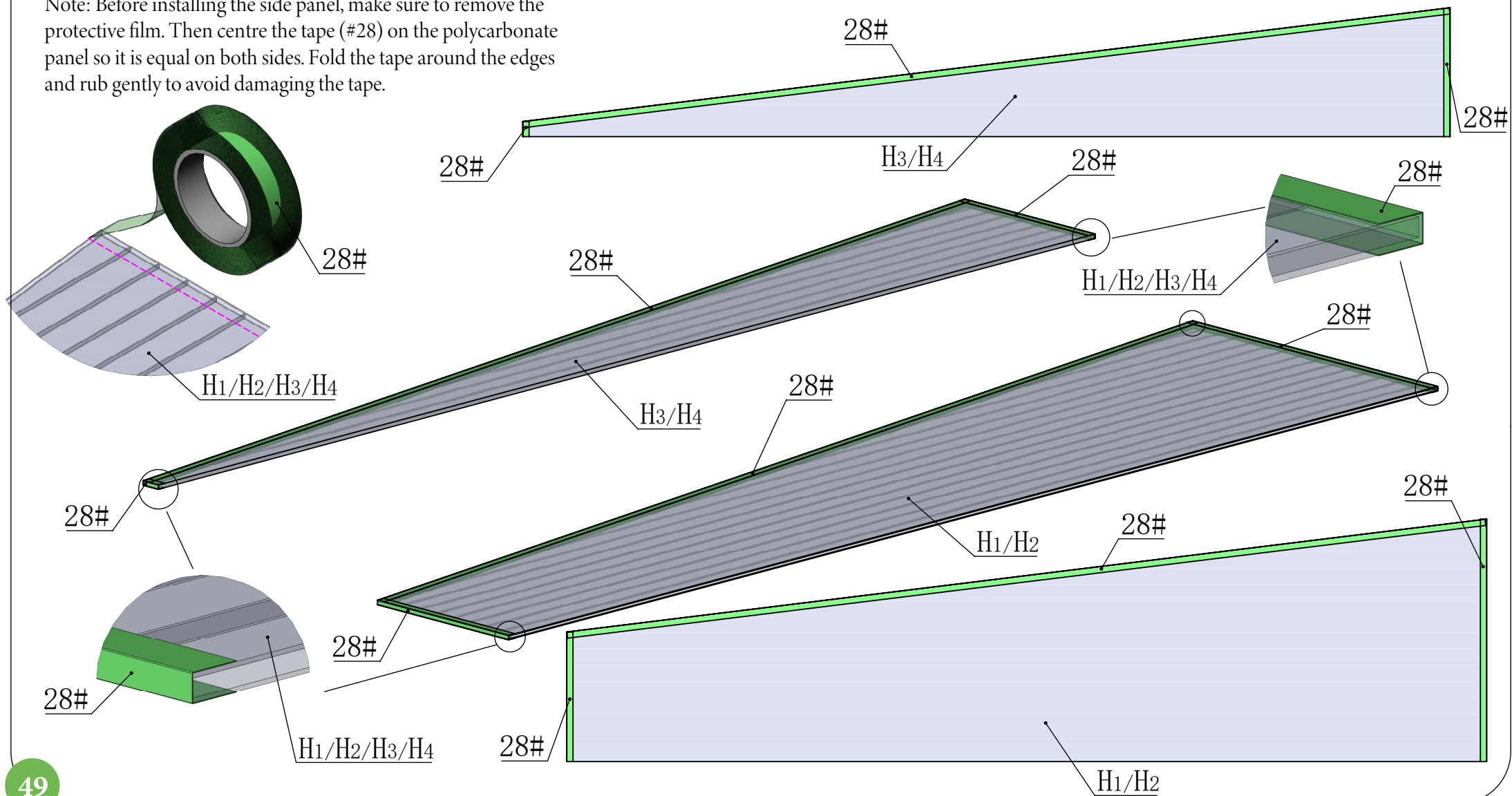


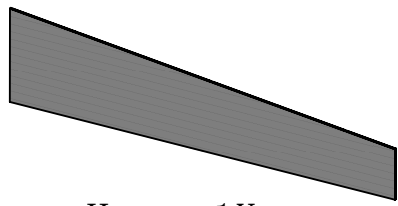
- Remove film immediately before installing tape to prevent damage to the panels.



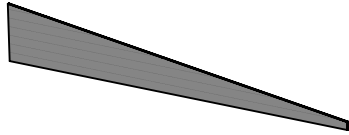
28# 1X

Note: Before installing the side panel, make sure to remove the protective film. Then centre the tape (#28) on the polycarbonate panel so it is equal on both sides. Fold the tape around the edges and rub gently to avoid damaging the tape.

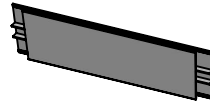




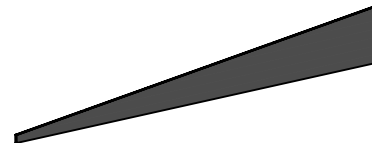
H1 1X



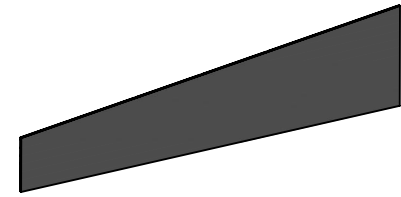
H3 1X



H5 1X



H4 1X

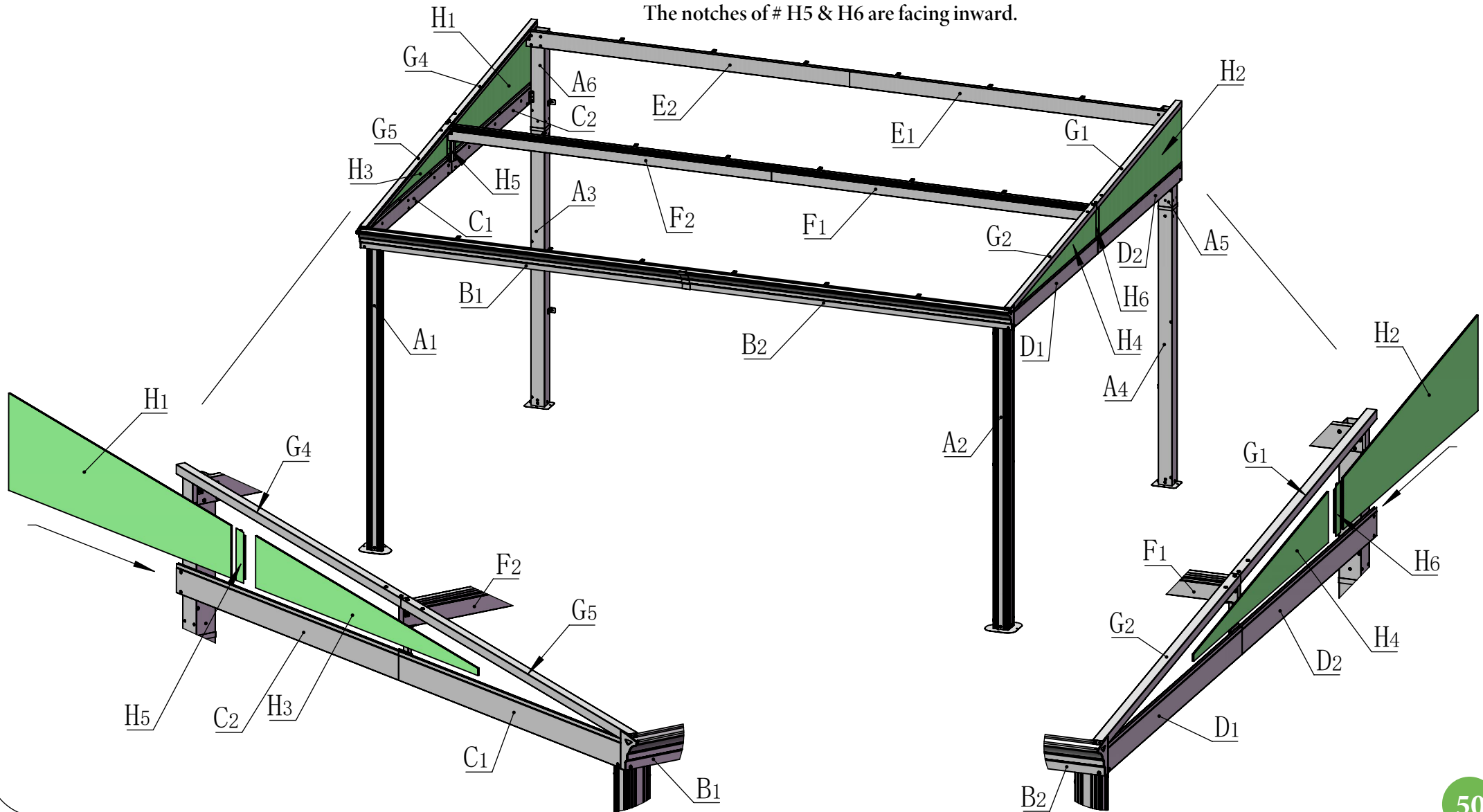


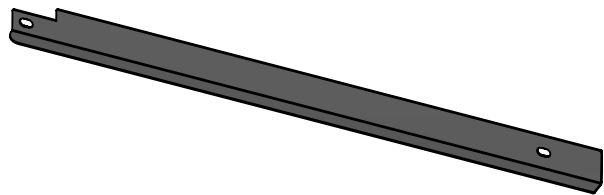
H2 1X



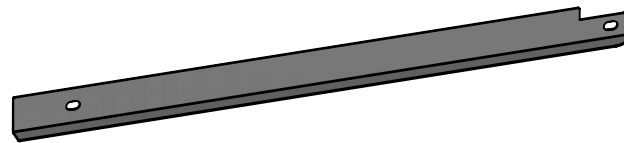
H6 1X

The notches of # H5 & H6 are facing inward.





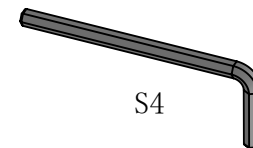
H7 1X



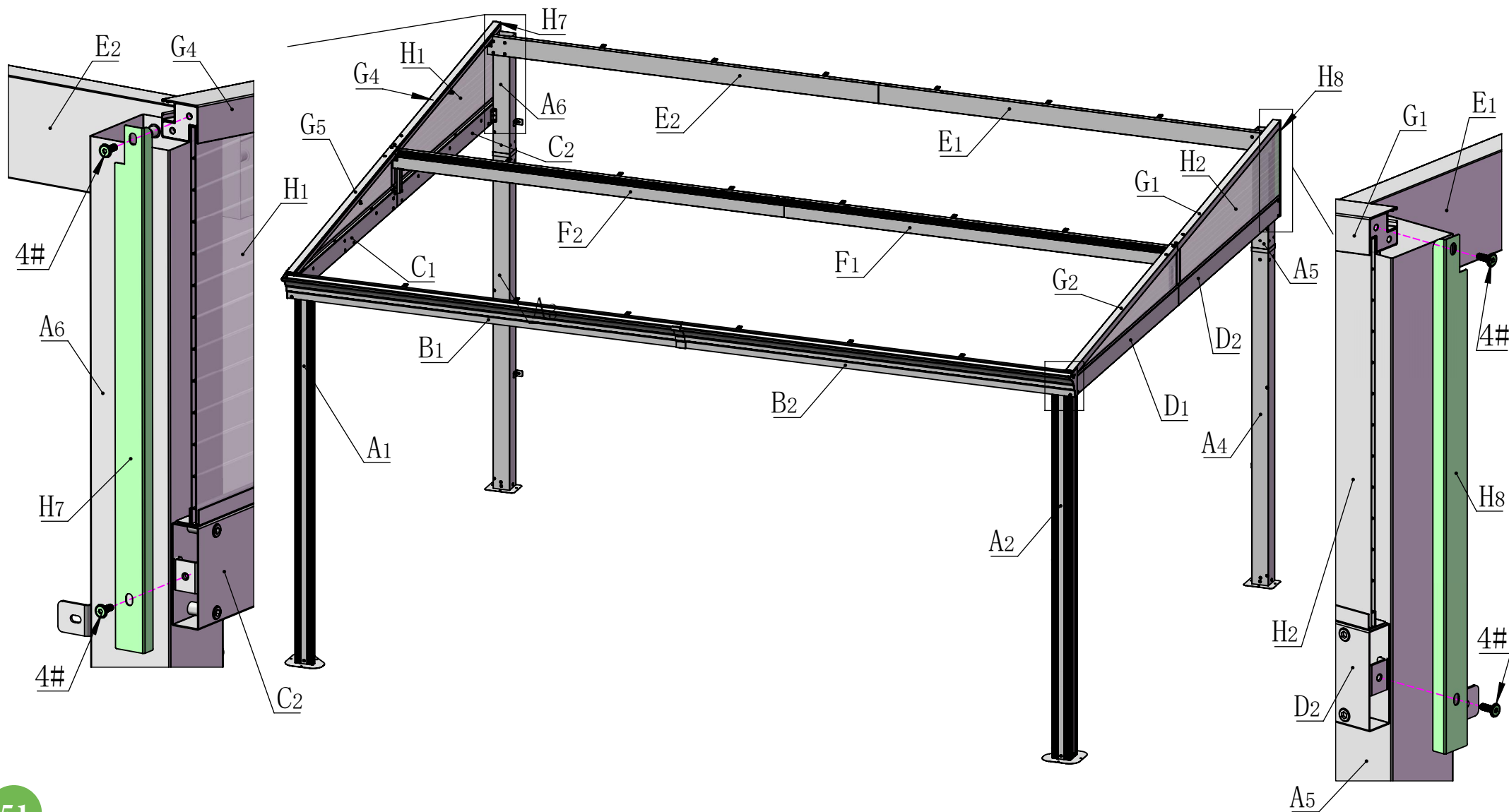
H8 1X

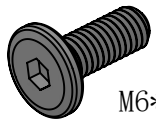


M6*16
4# 4X

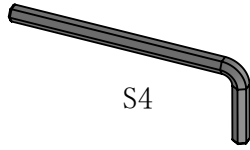


S4
16# 1X





M6*16



S4

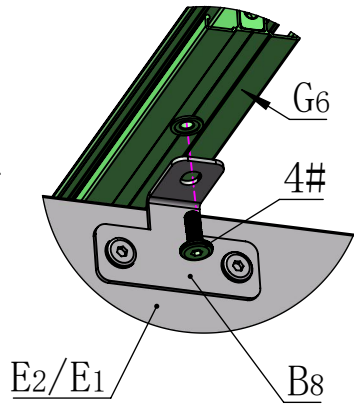
4#

18X

16#

1X

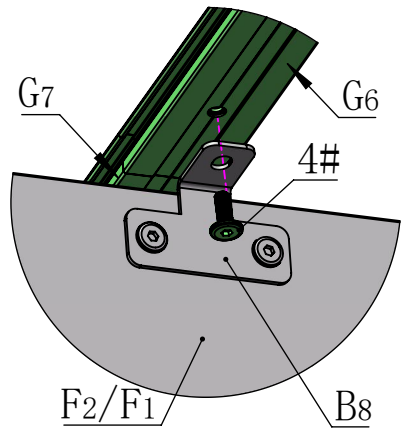
6X



E2/E1

B8

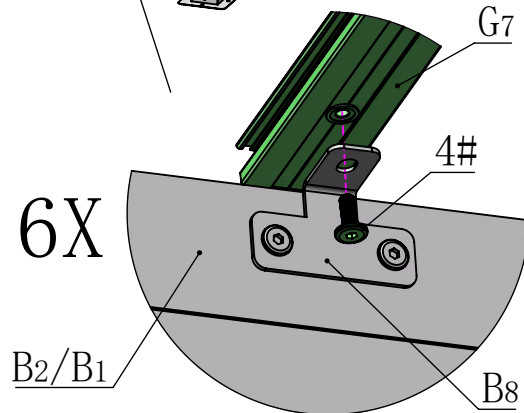
6X



F2/F1

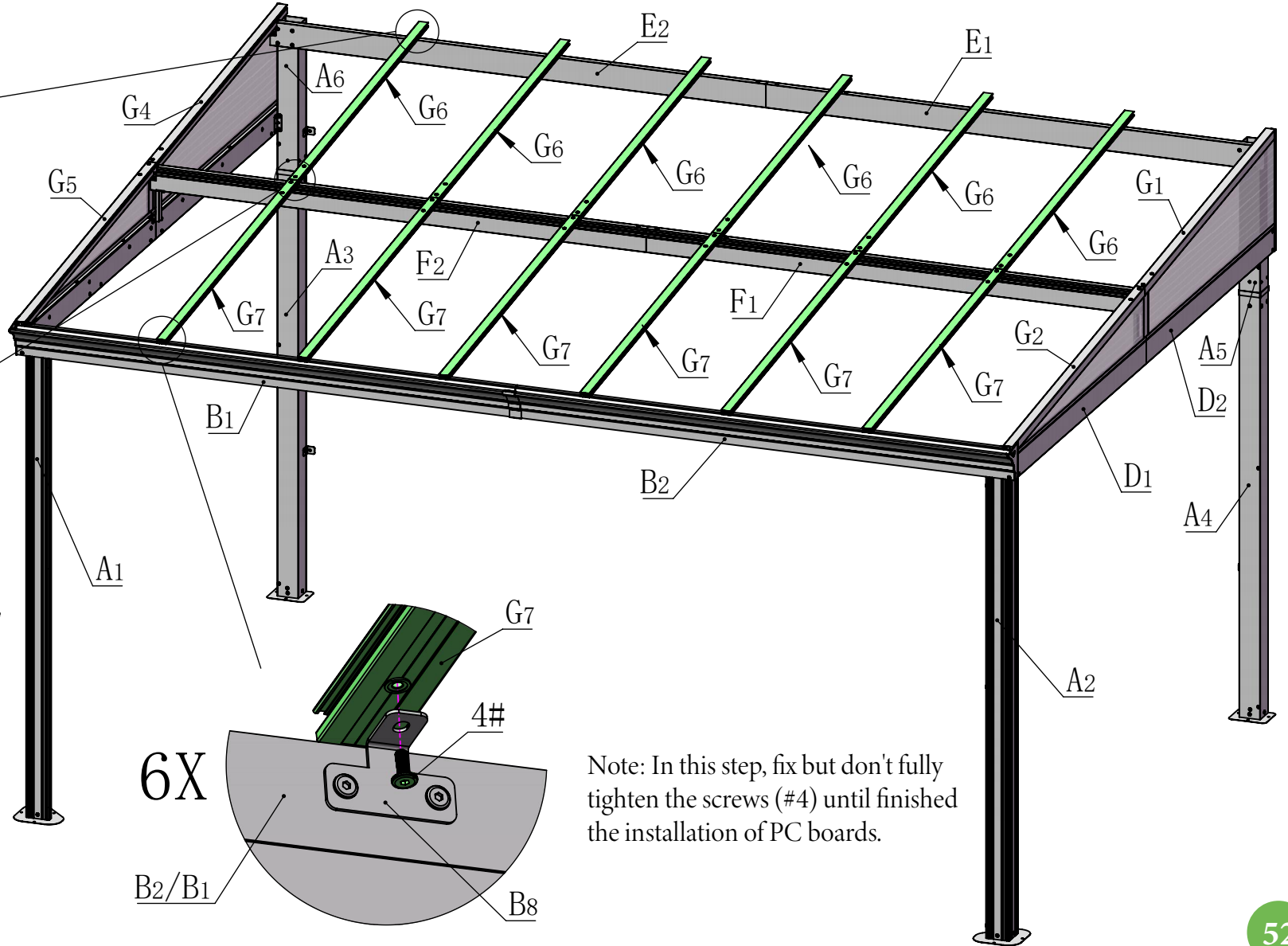
B8

6X

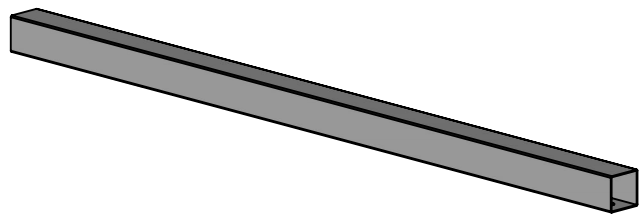


B2/B1

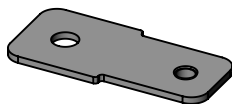
B8



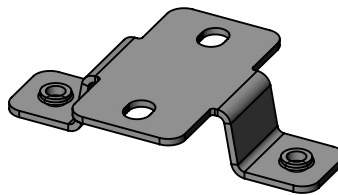
Note: In this step, fix but don't fully tighten the screws (#4) until finished the installation of PC boards.



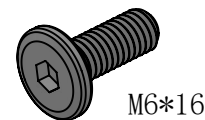
J1 2X



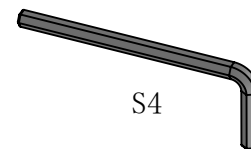
J2 2X



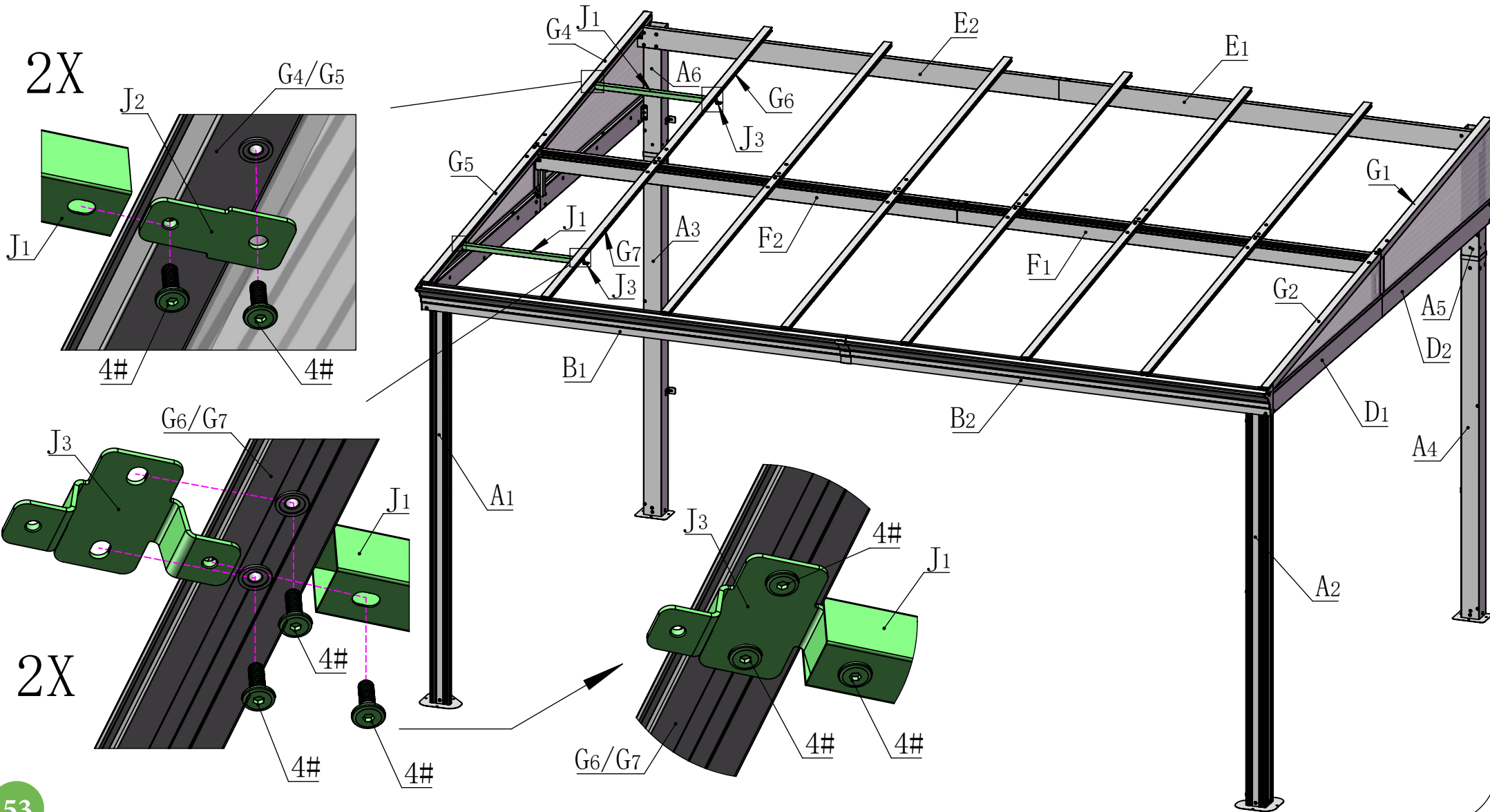
J3 2X

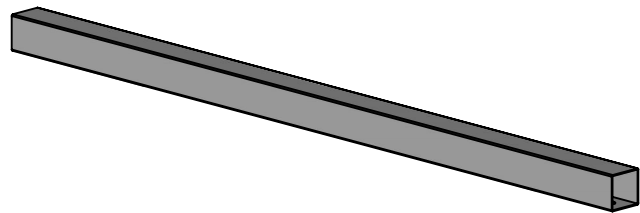


4# 10X M6*16

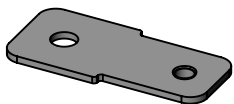


16# 1X S4

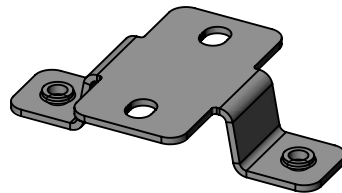




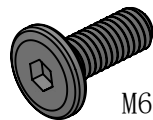
J1 12X



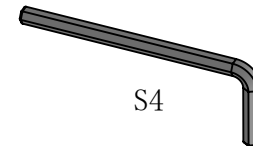
J2 2X



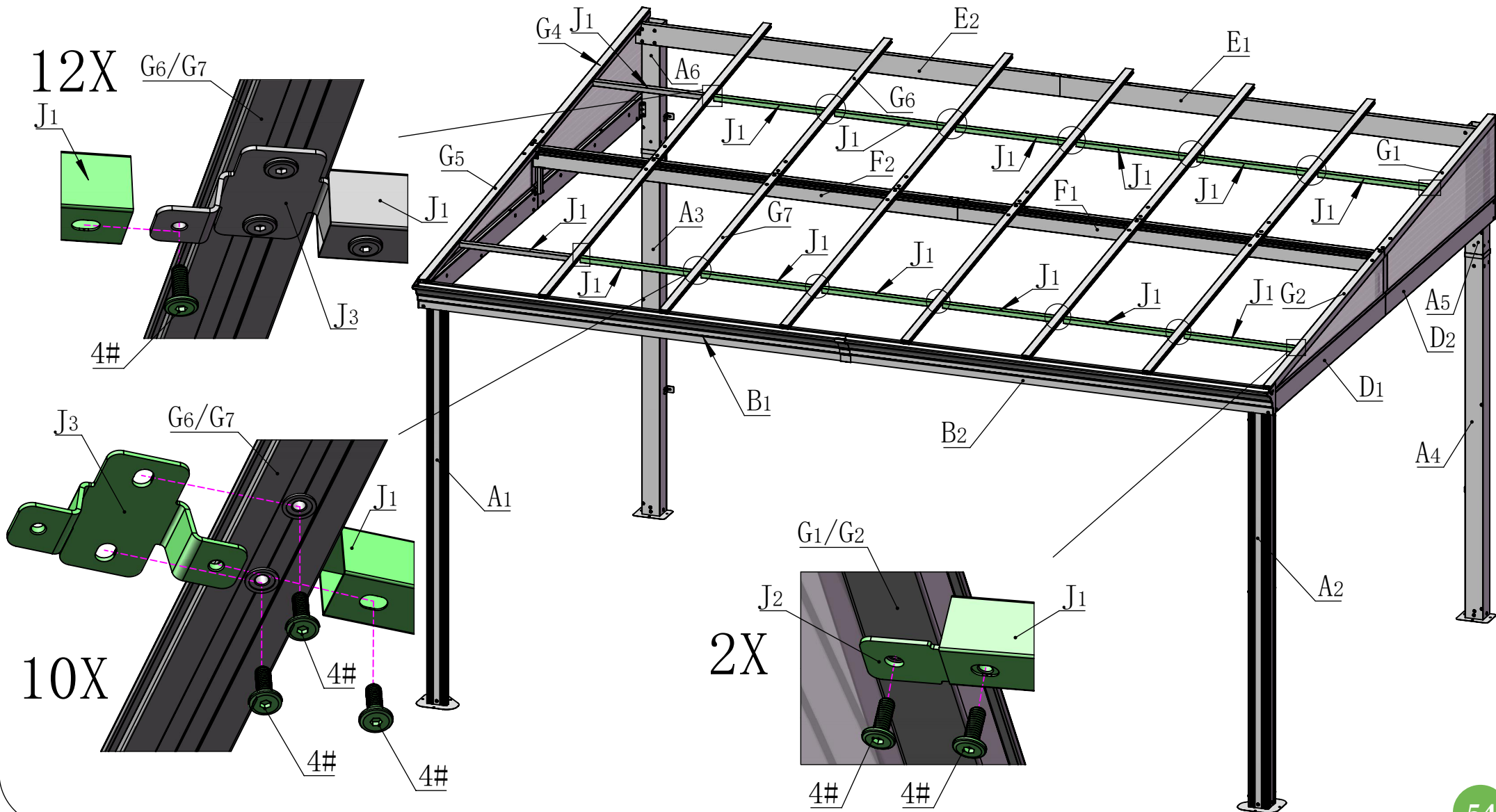
J3 10X



4# 46X

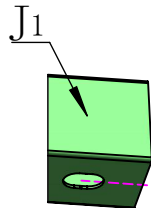


16# 1X



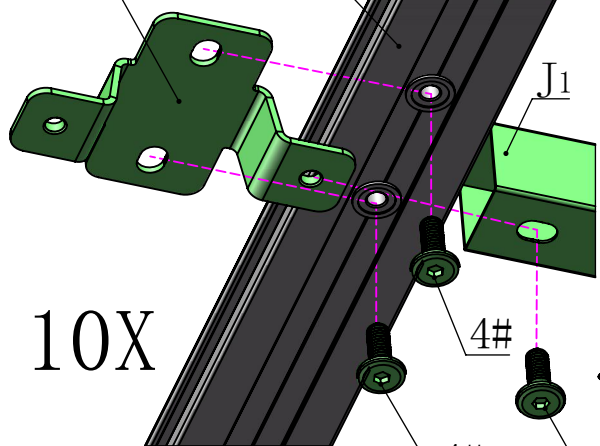
12X

G6/G7



4#

G6/G7



10X

4#

4#

4#

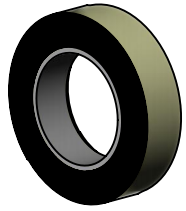
2X

G1/G2

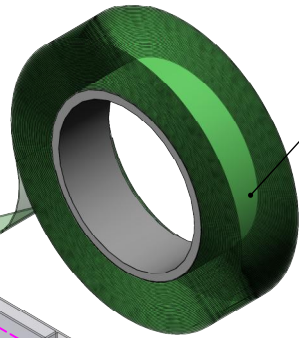


4#

4#

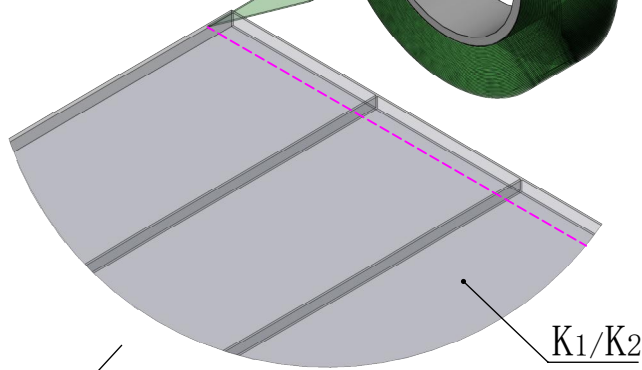


28# 1X

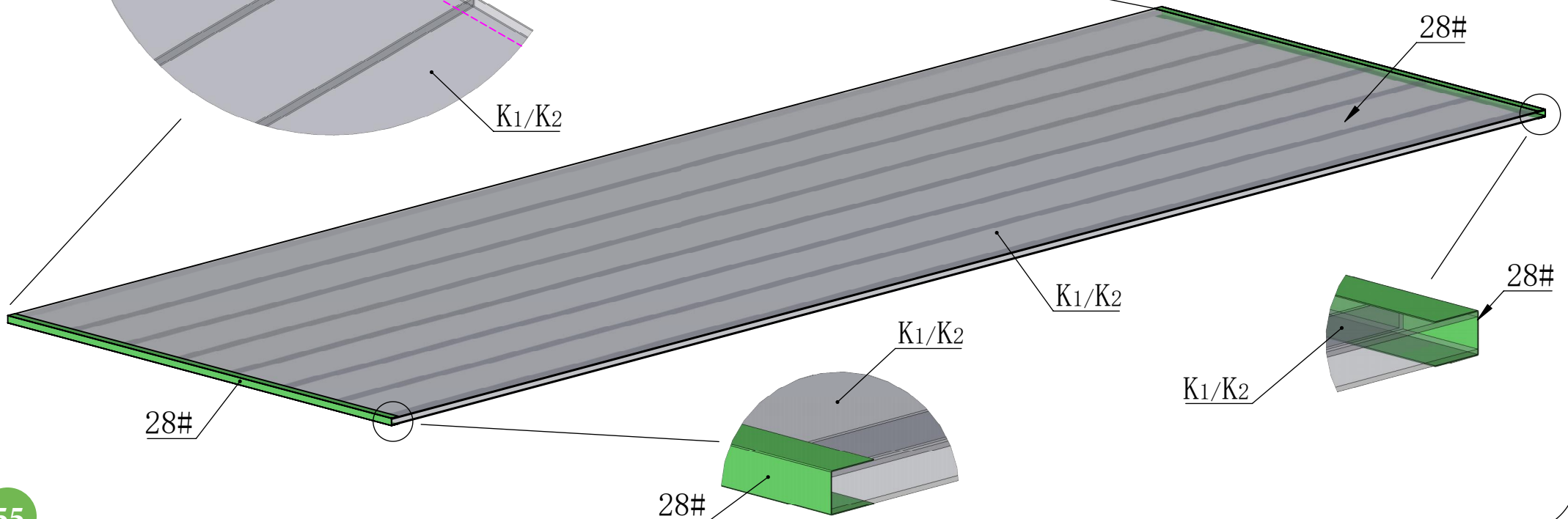


28#

Note: Before installing the roof panel, make sure to remove the protective film. Then centre the tape (#28) on the polycarbonate panel so it is equal on both sides. Fold the tape around the edges and rub gently to avoid damaging the tape.



K_1/K_2



28#

K_1/K_2

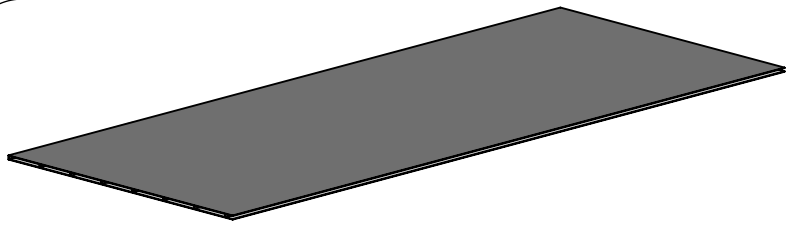
K_1/K_2

28#

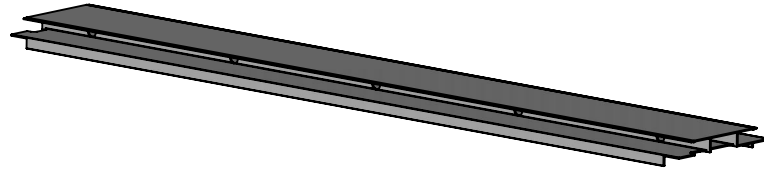
K_1/K_2

28#

28#

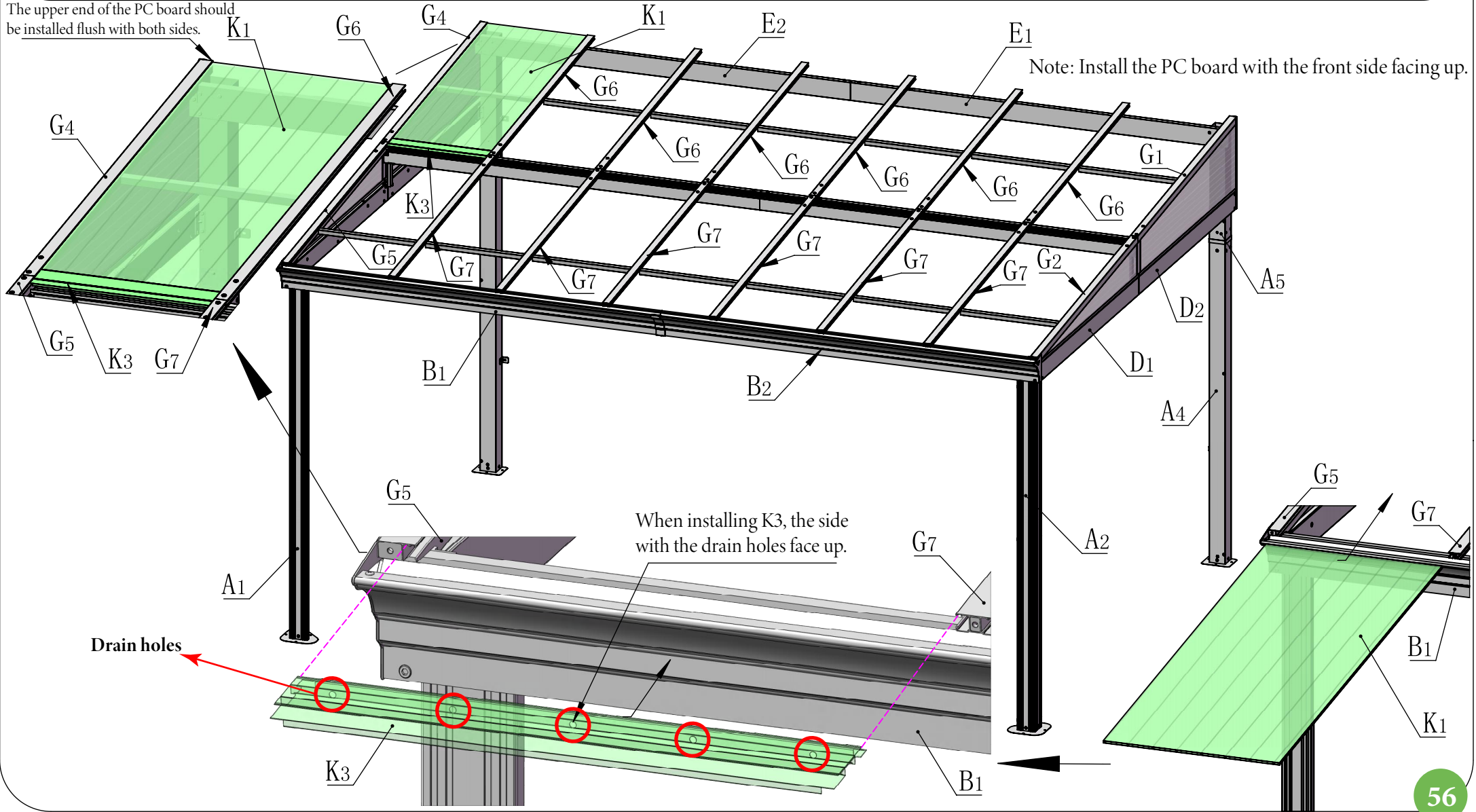


K1 1X

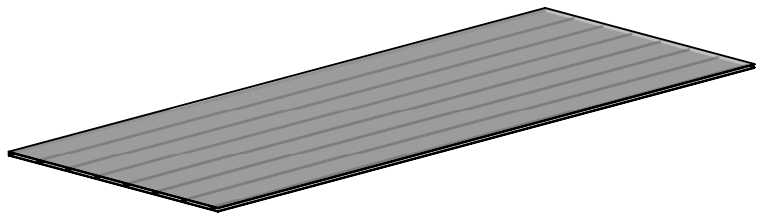


K3 1X

The upper end of the PC board should be installed flush with both sides.



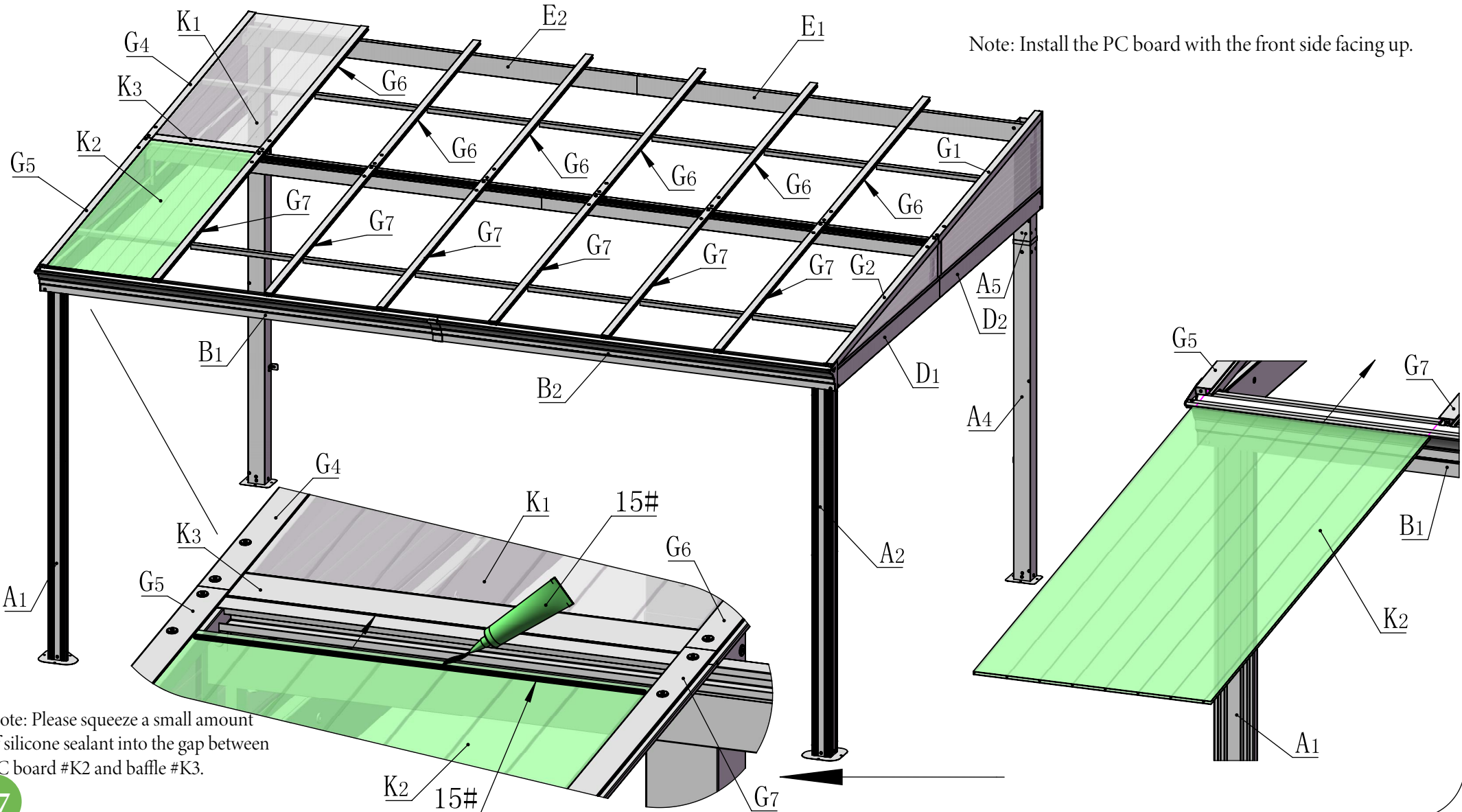
Note: Install the PC board with the front side facing up.



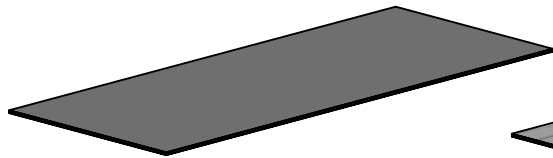
K2 1X



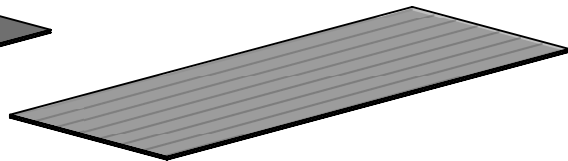
15# 1X



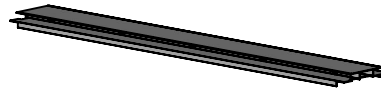
Note: Please squeeze a small amount of silicone sealant into the gap between PC board #K2 and baffle #K3.



K1 6X



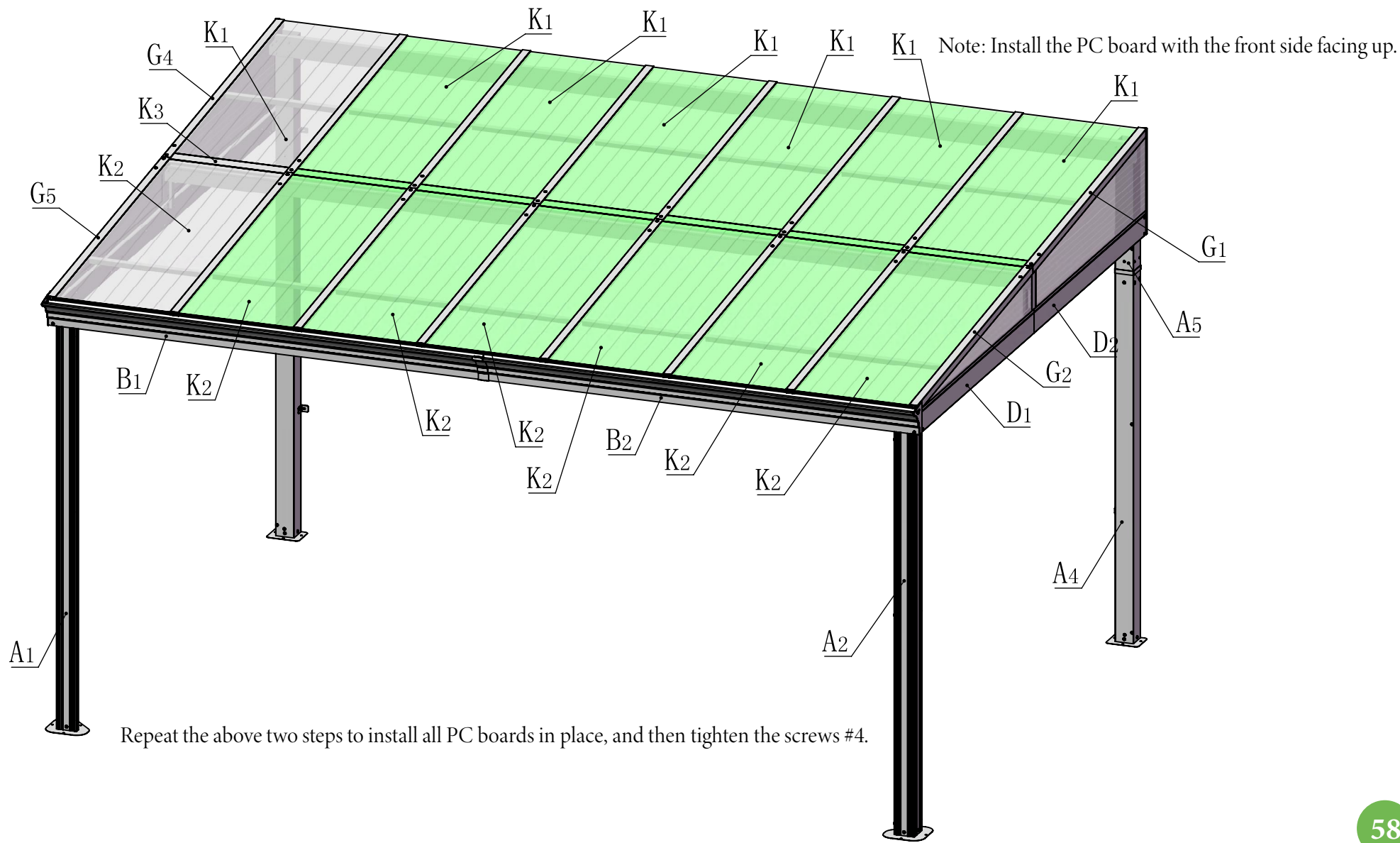
K2 6X

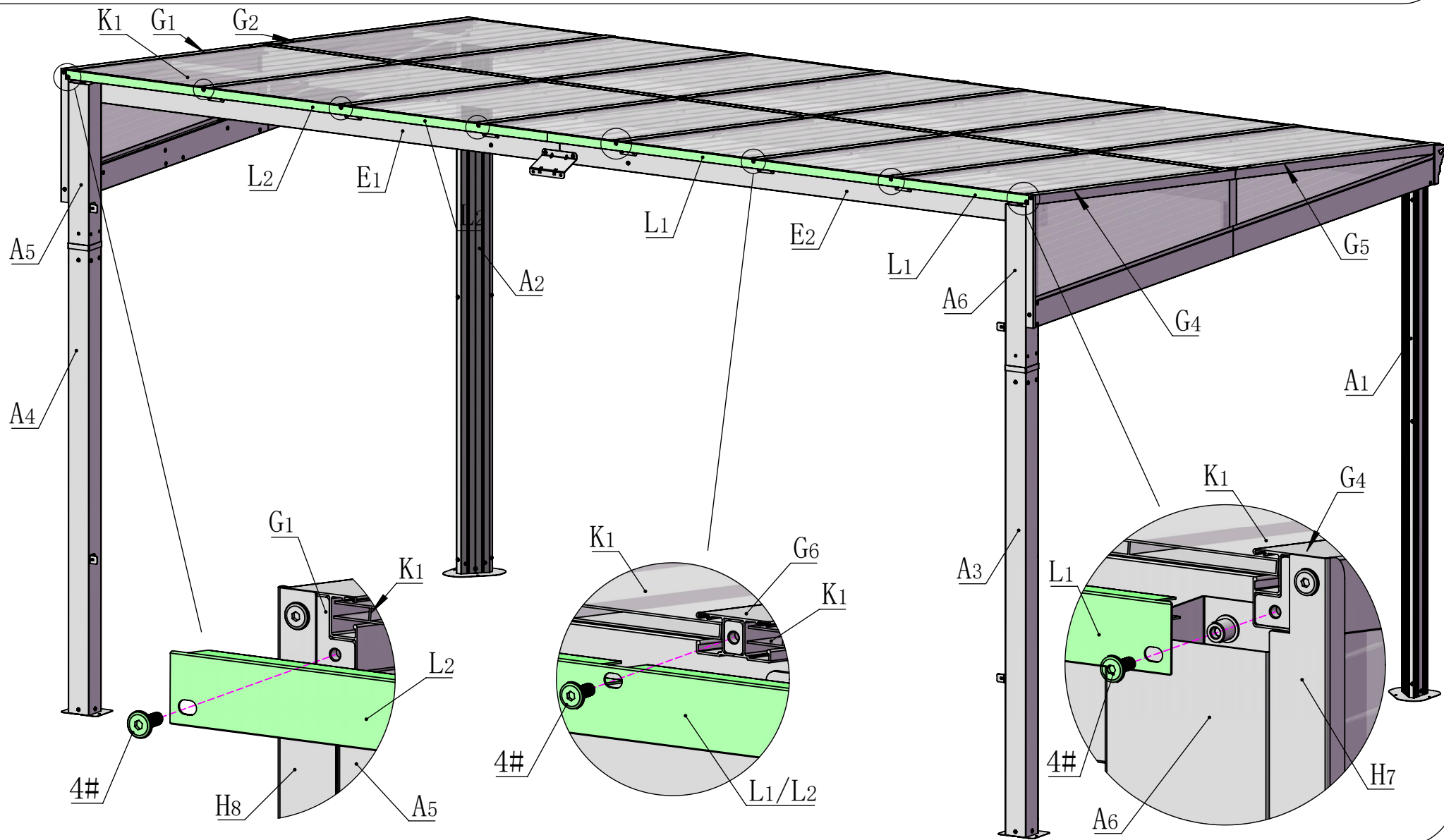
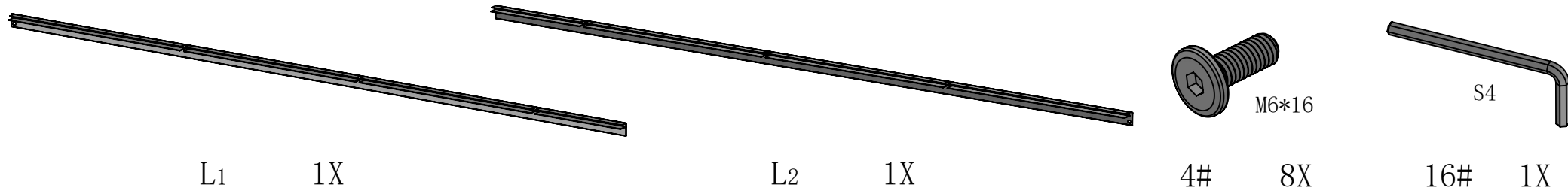


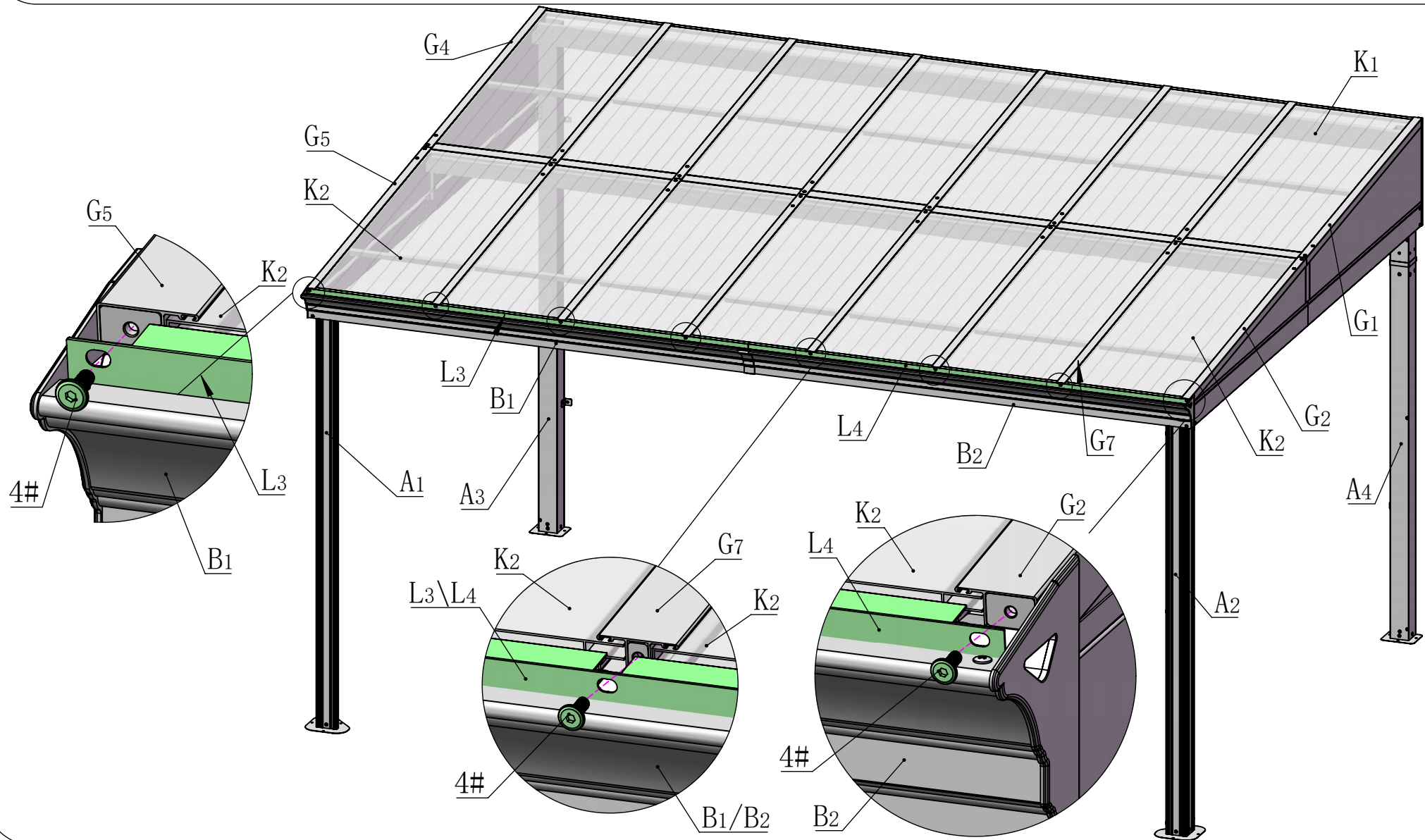
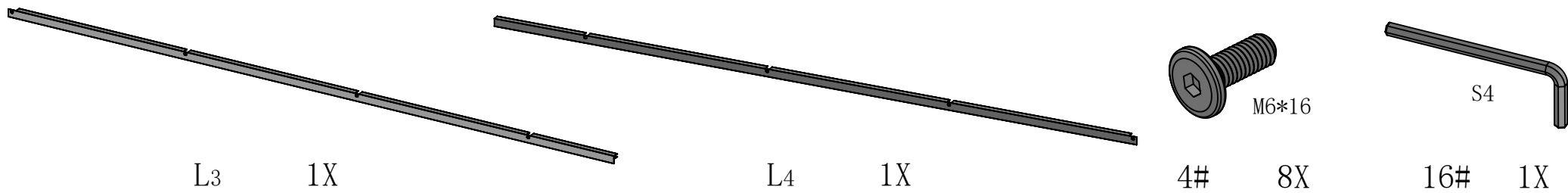
K3 6X

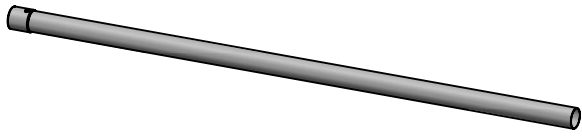


15# 1X



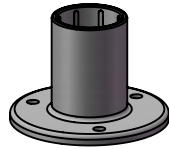






M1

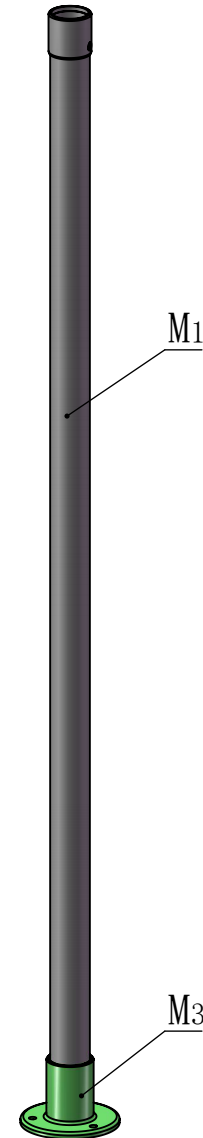
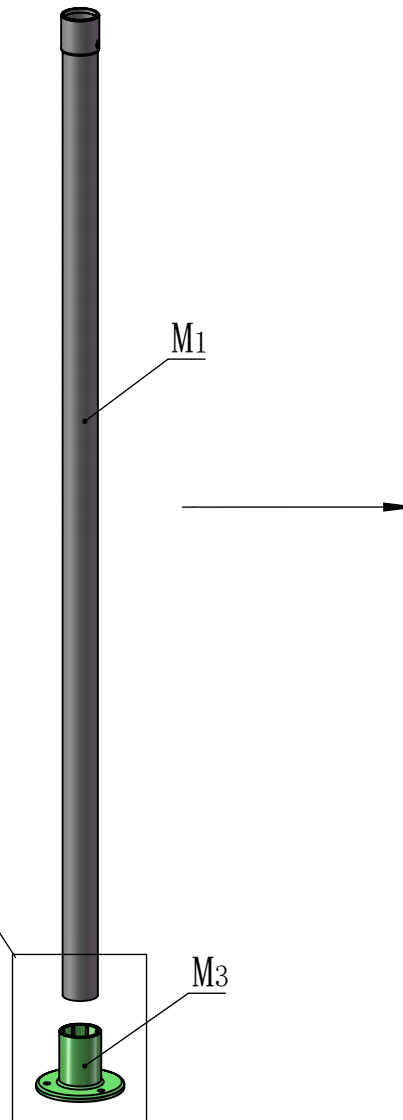
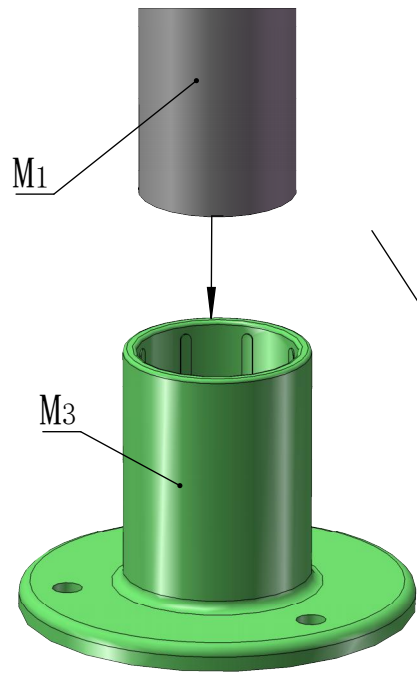
1X



M3

1X

Support Tube Assembly

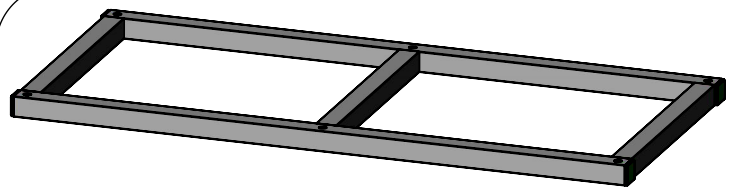


The support tube can strengthen the weight capacity of the metal roof.

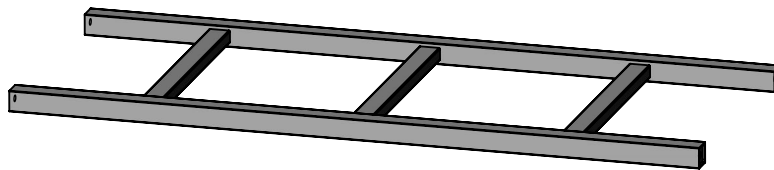
In bad weather, especially snowstorm, the support tube is essentially needed to prevent the roof from collapsing under heavy snow.

In daily life, you can put it away.





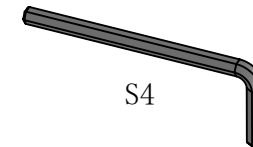
N1 6X



N2 3X



M6*30



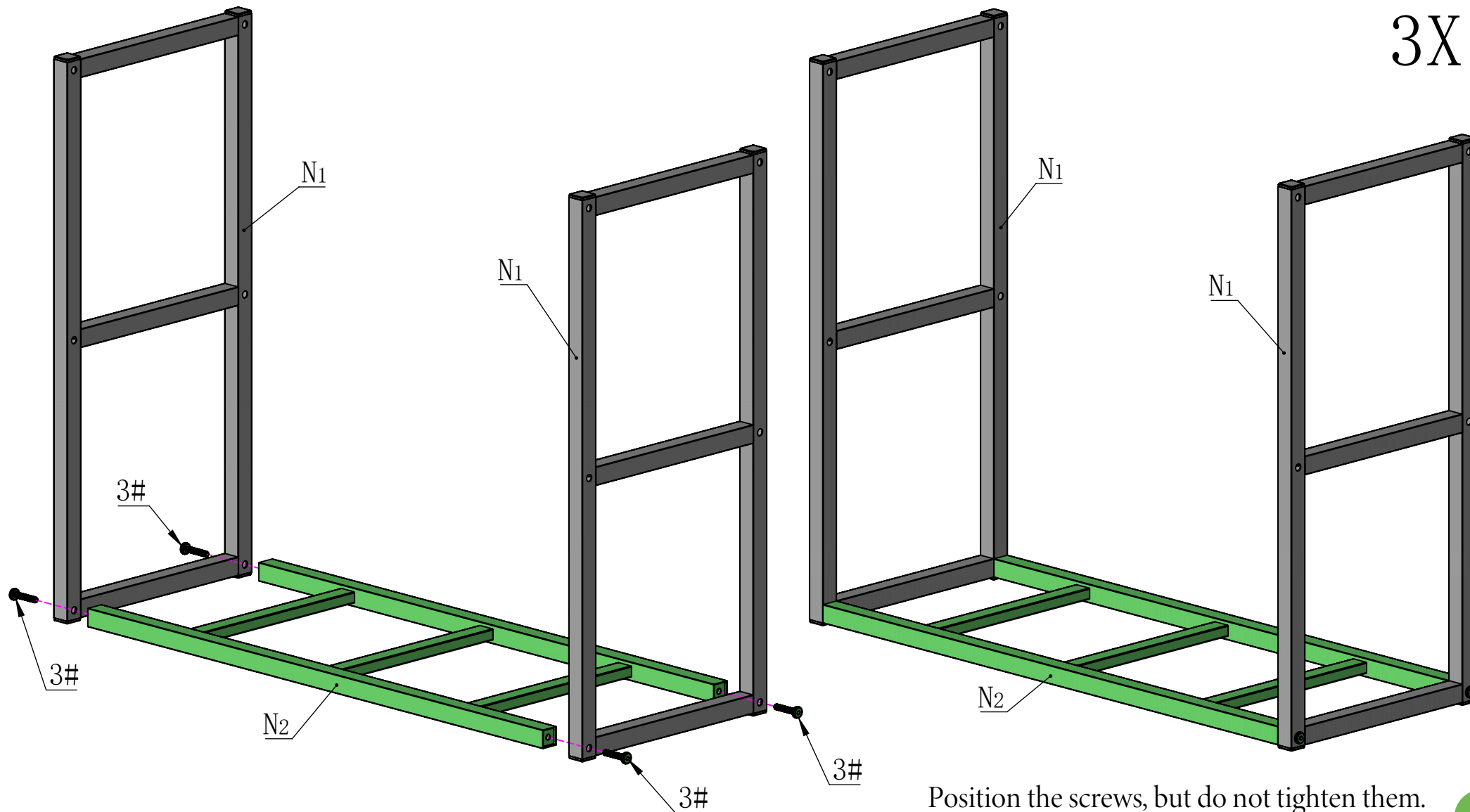
S4

3#

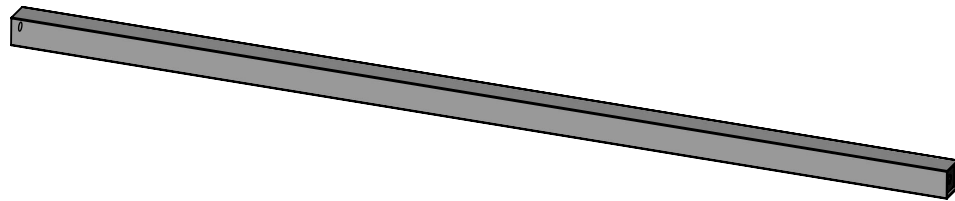
12X

16#

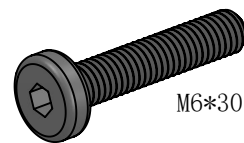
1X



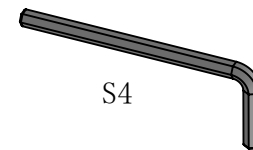
Position the screws, but do not tighten them.



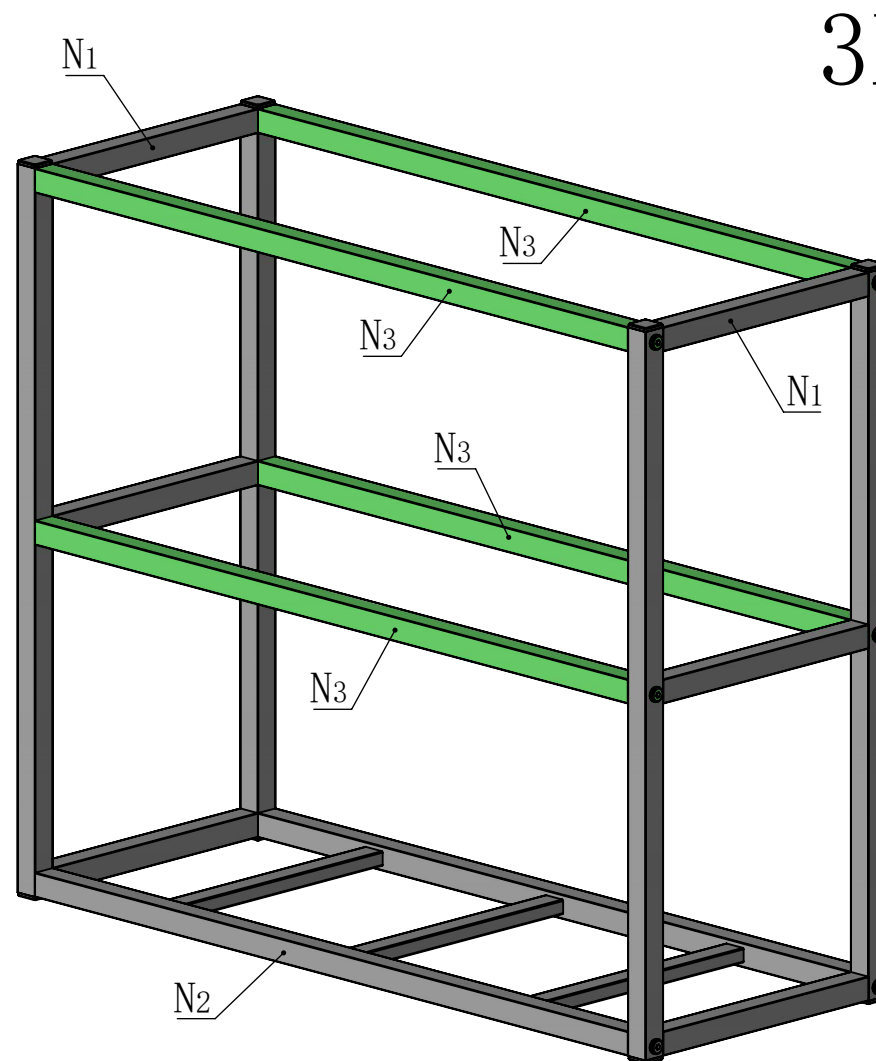
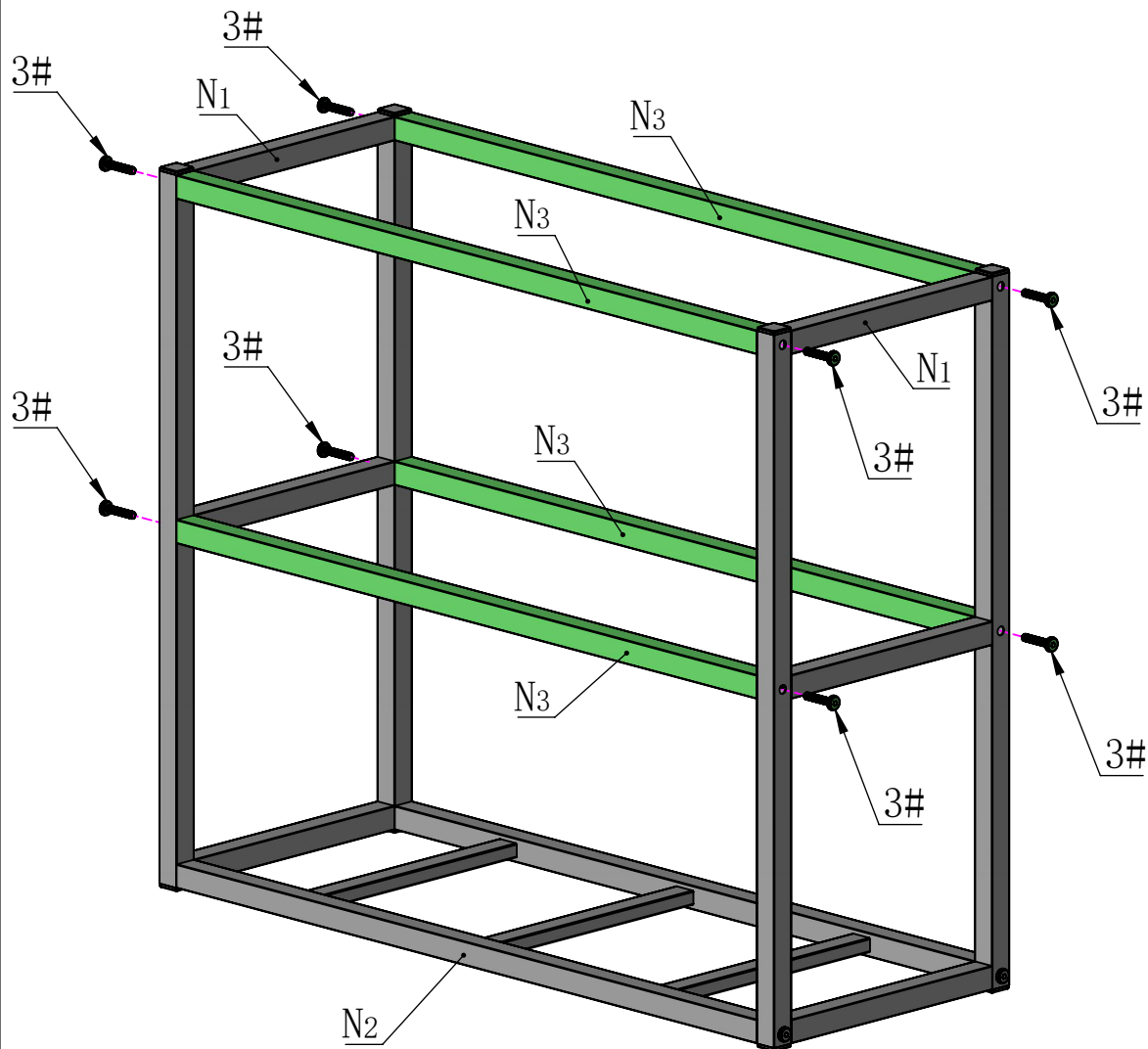
N3 12X



3# 24X

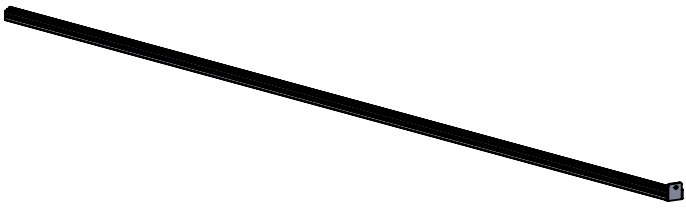
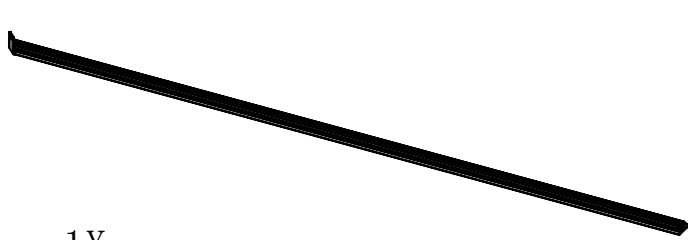


16# 1X



3X

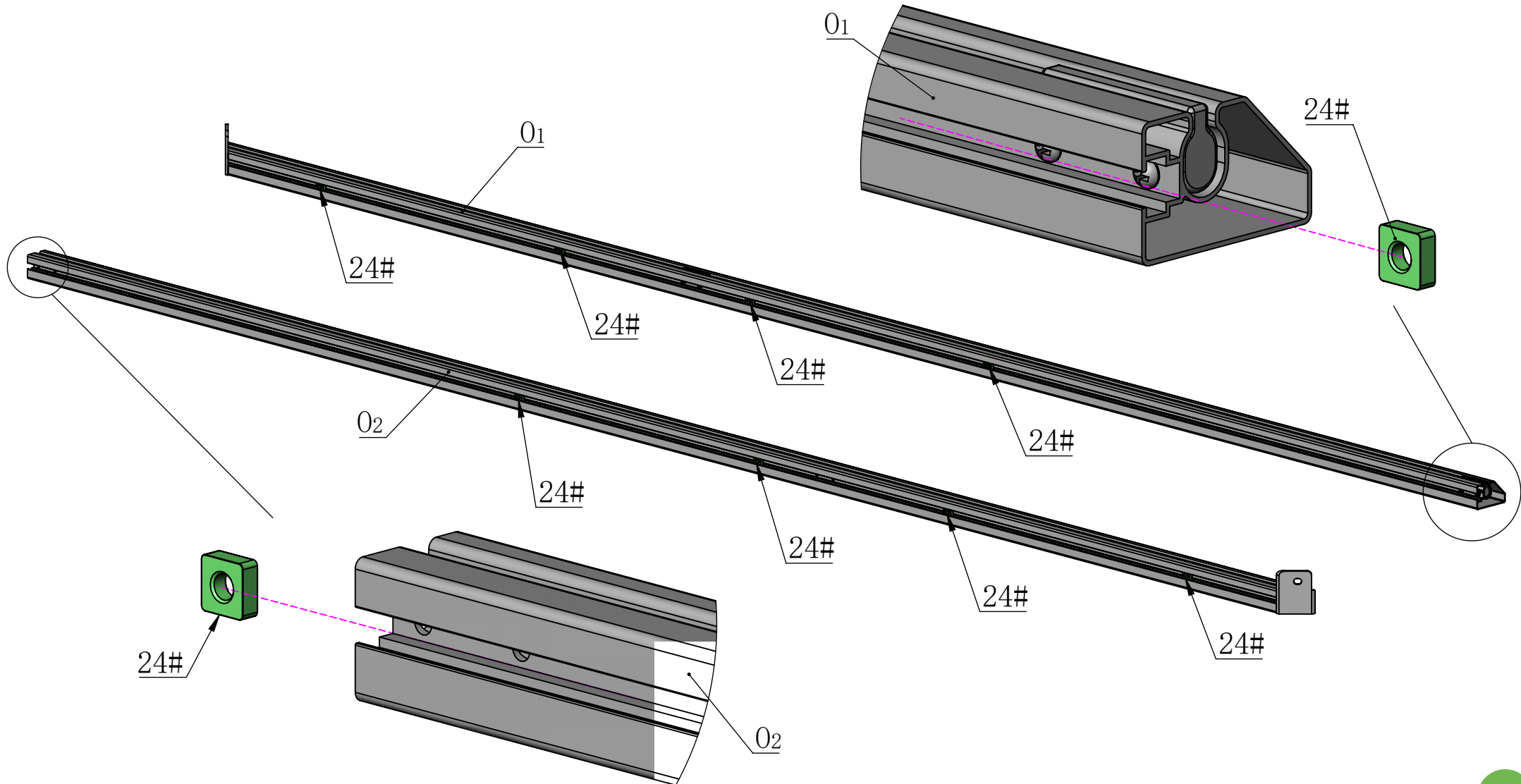
Tighten all screws after they are positioned.

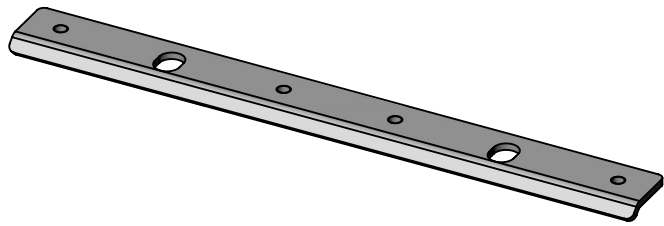


01 1X

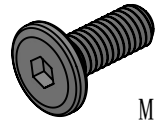
02 1X

24# 8X



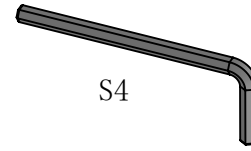


03 1X



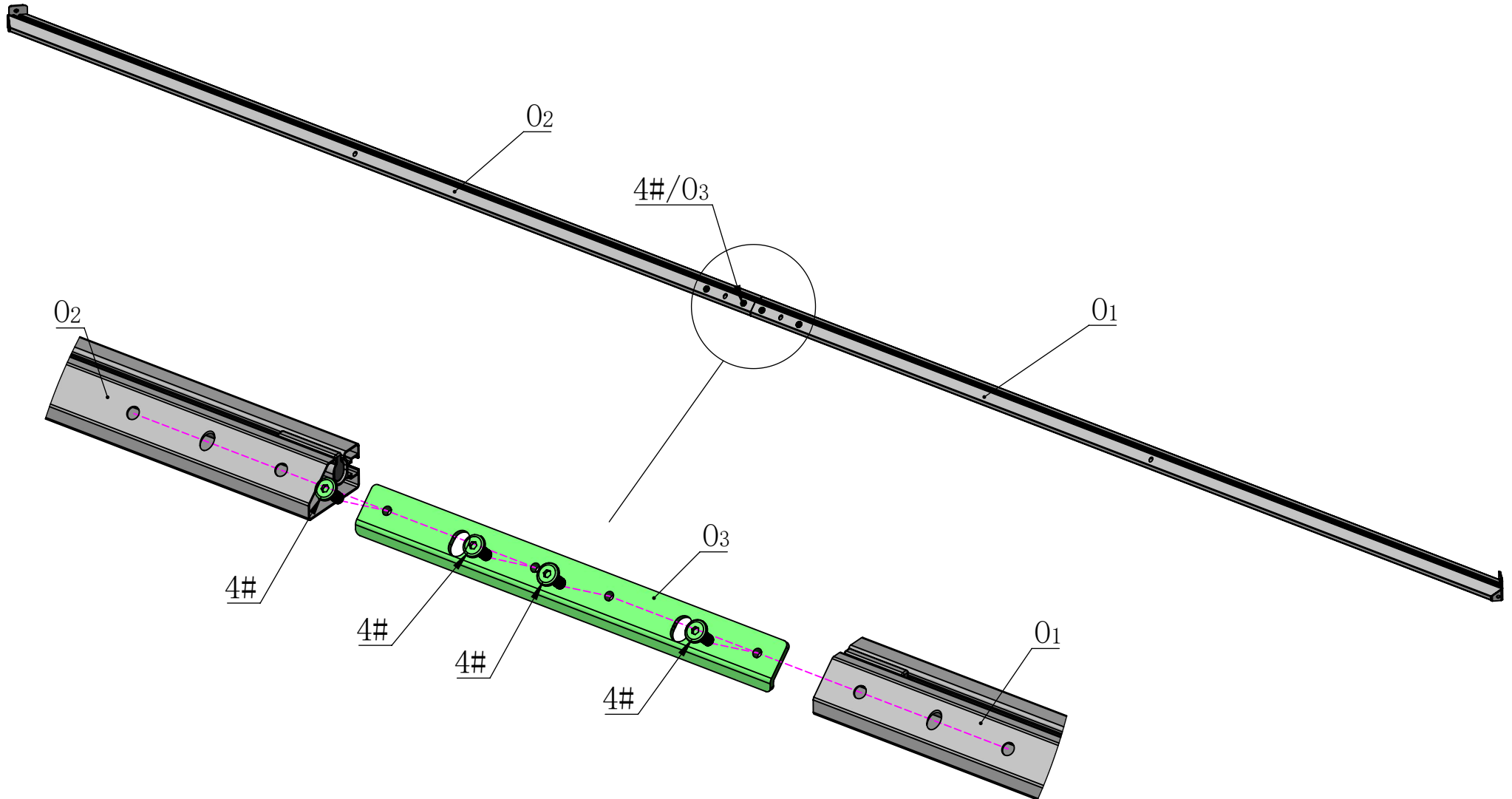
M6*16

4# 4X



S4

16# 1X





O4 1X

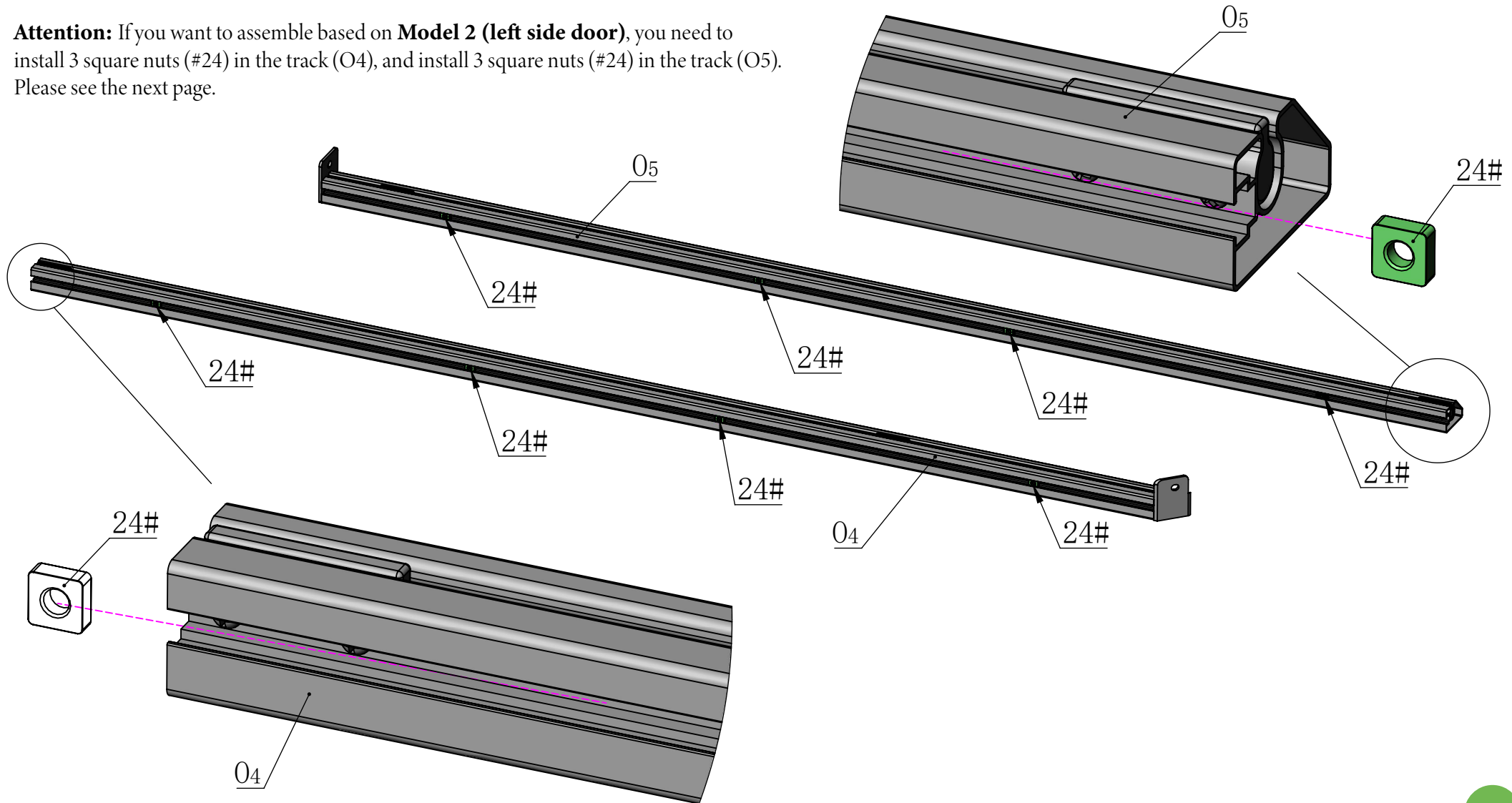


O5 1X



24# 8X

Attention: If you want to assemble based on **Model 2 (left side door)**, you need to install 3 square nuts (#24) in the track (O4), and install 3 square nuts (#24) in the track (O5). Please see the next page.





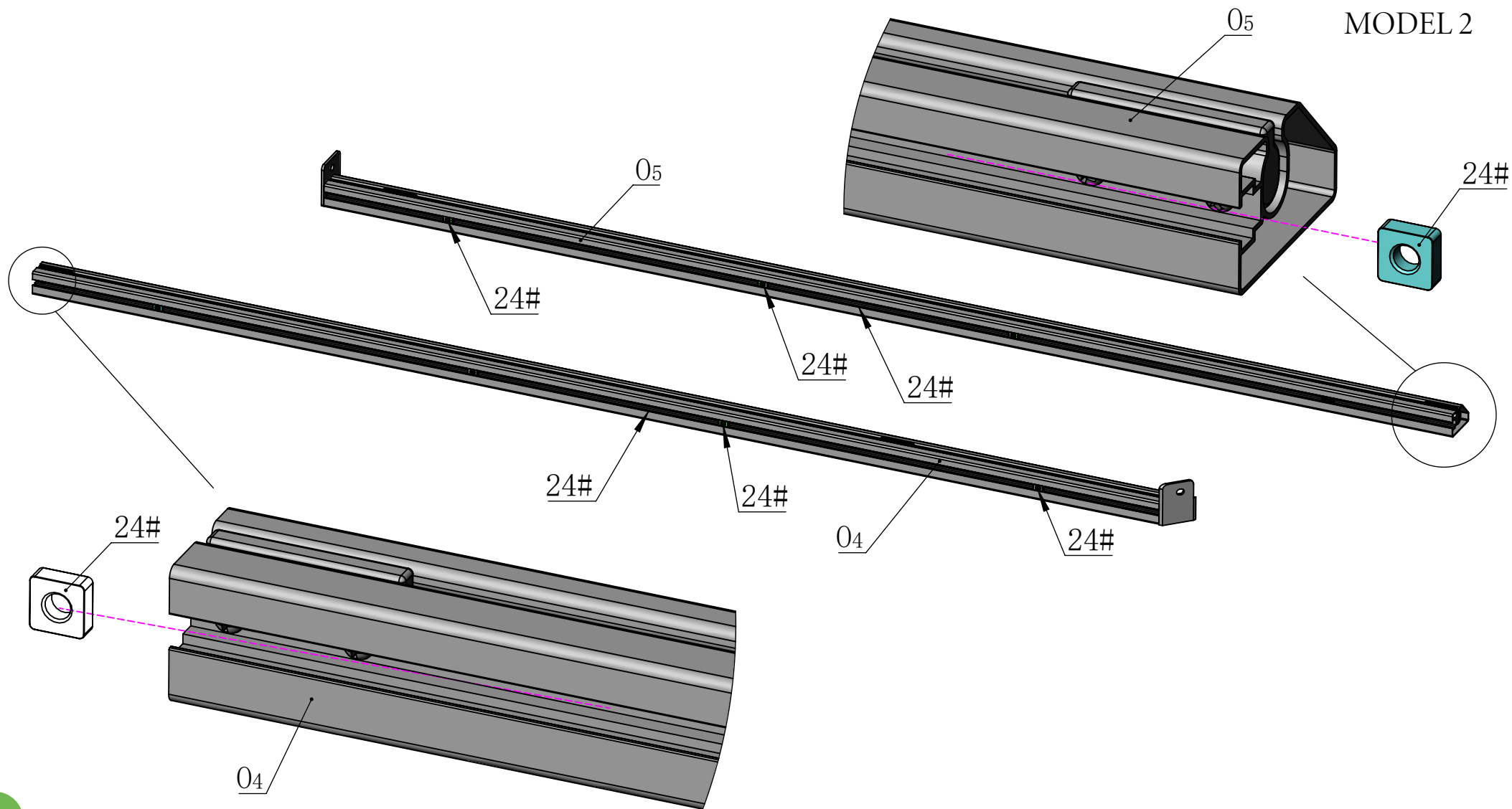
04 1X

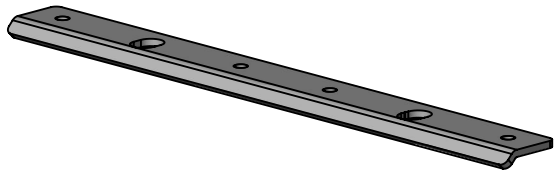


05 1X

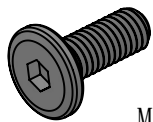


24# 6X



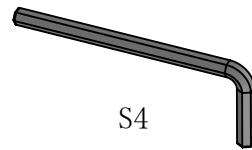


03 1X



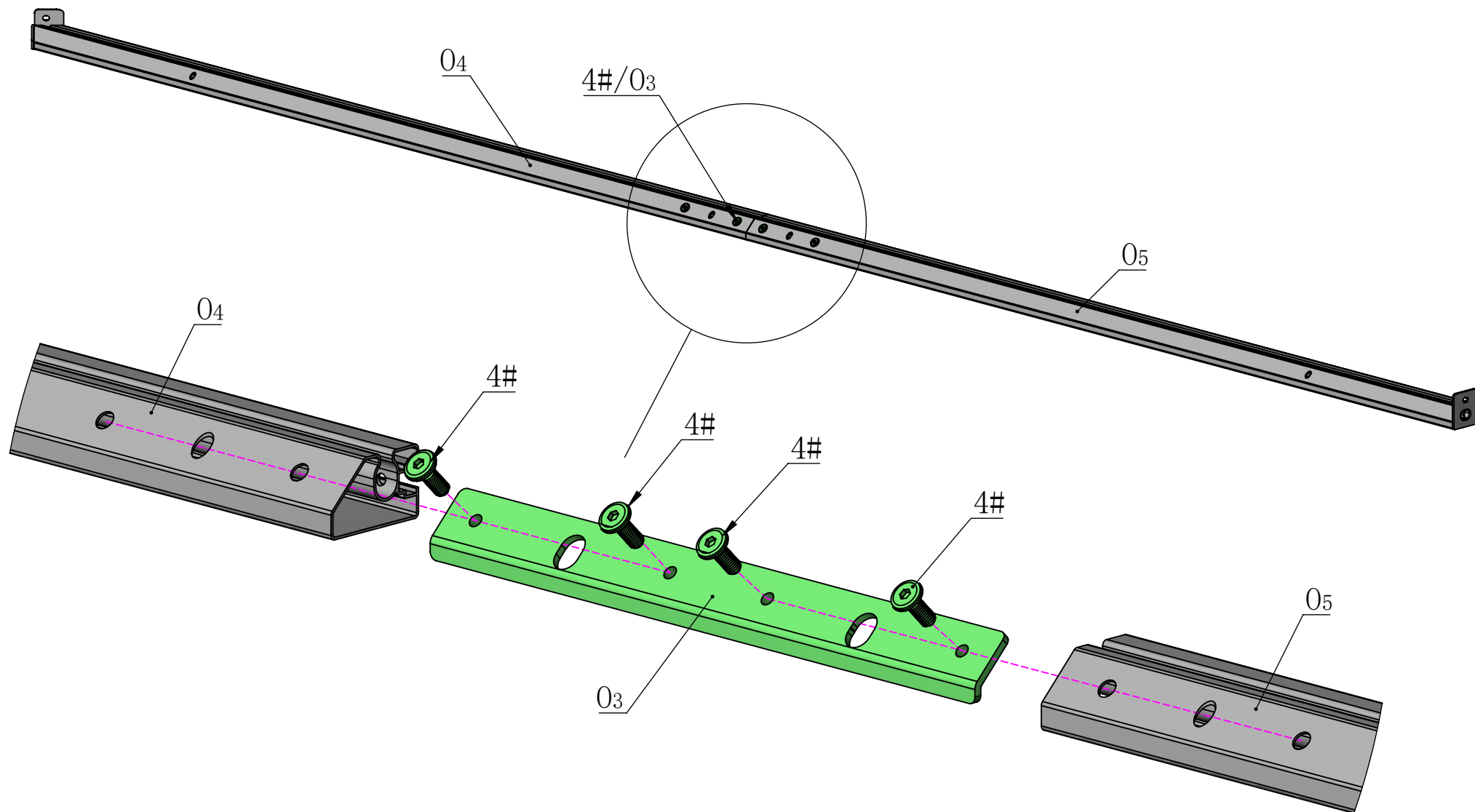
M6*16

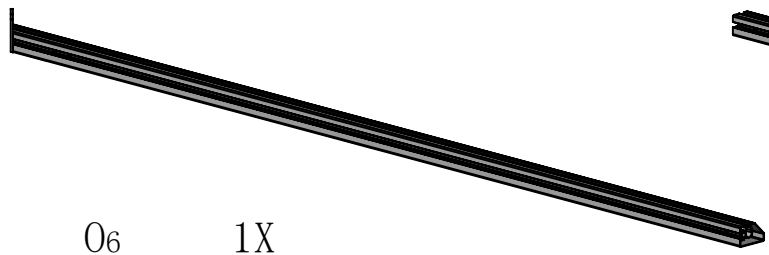
4# 4X



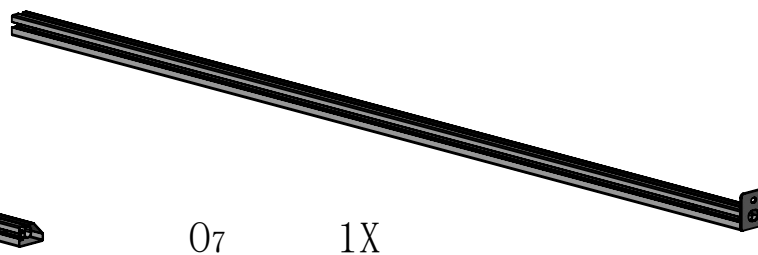
S4

16# 1X

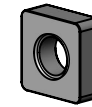




O6 1X

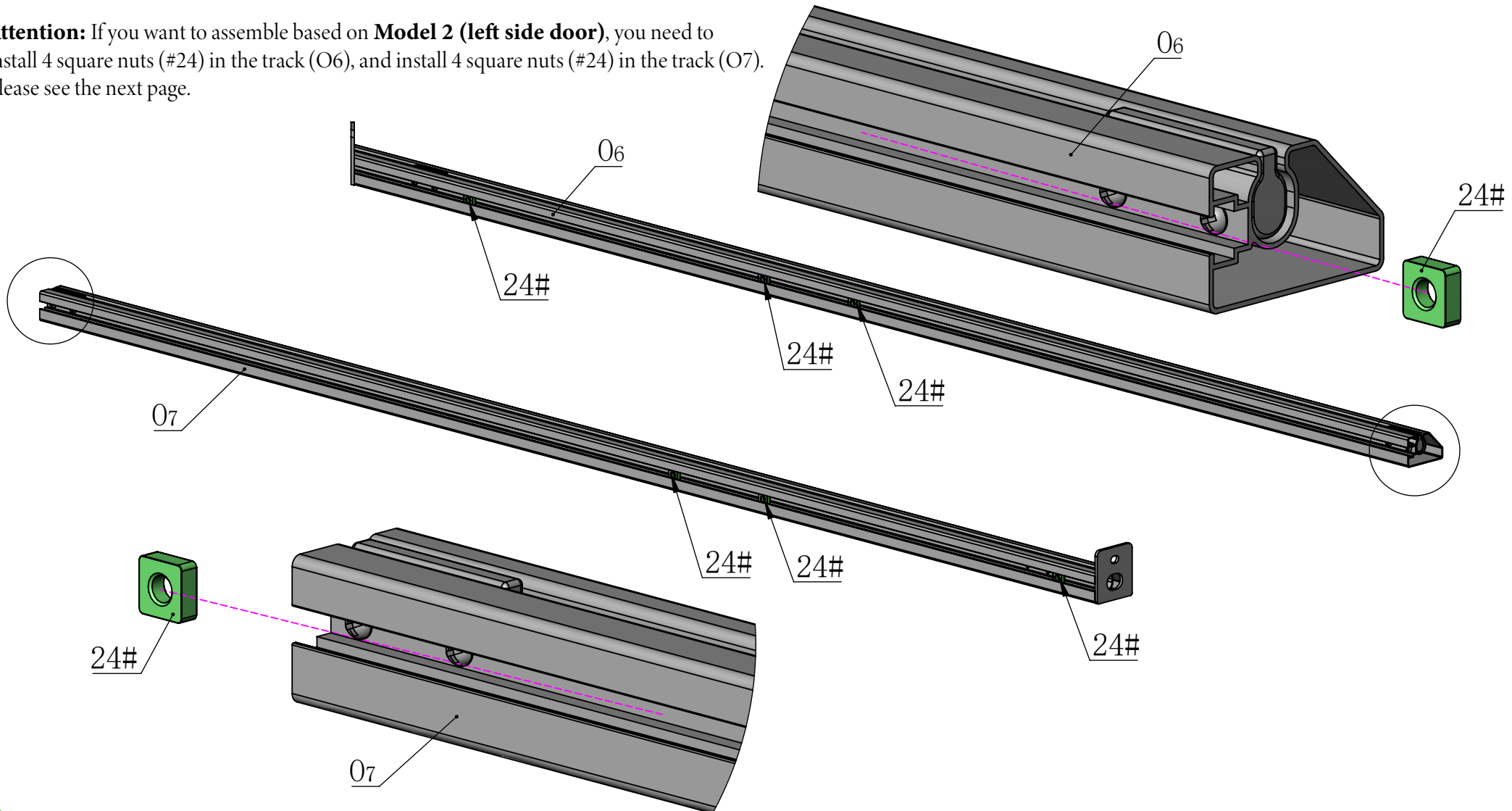


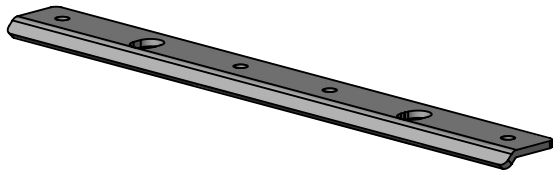
O7 1X



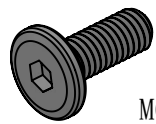
24# 6X

Attention: If you want to assemble based on **Model 2 (left side door)**, you need to install 4 square nuts (#24) in the track (O6), and install 4 square nuts (#24) in the track (O7). Please see the next page.



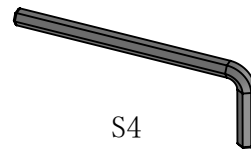


03 1X



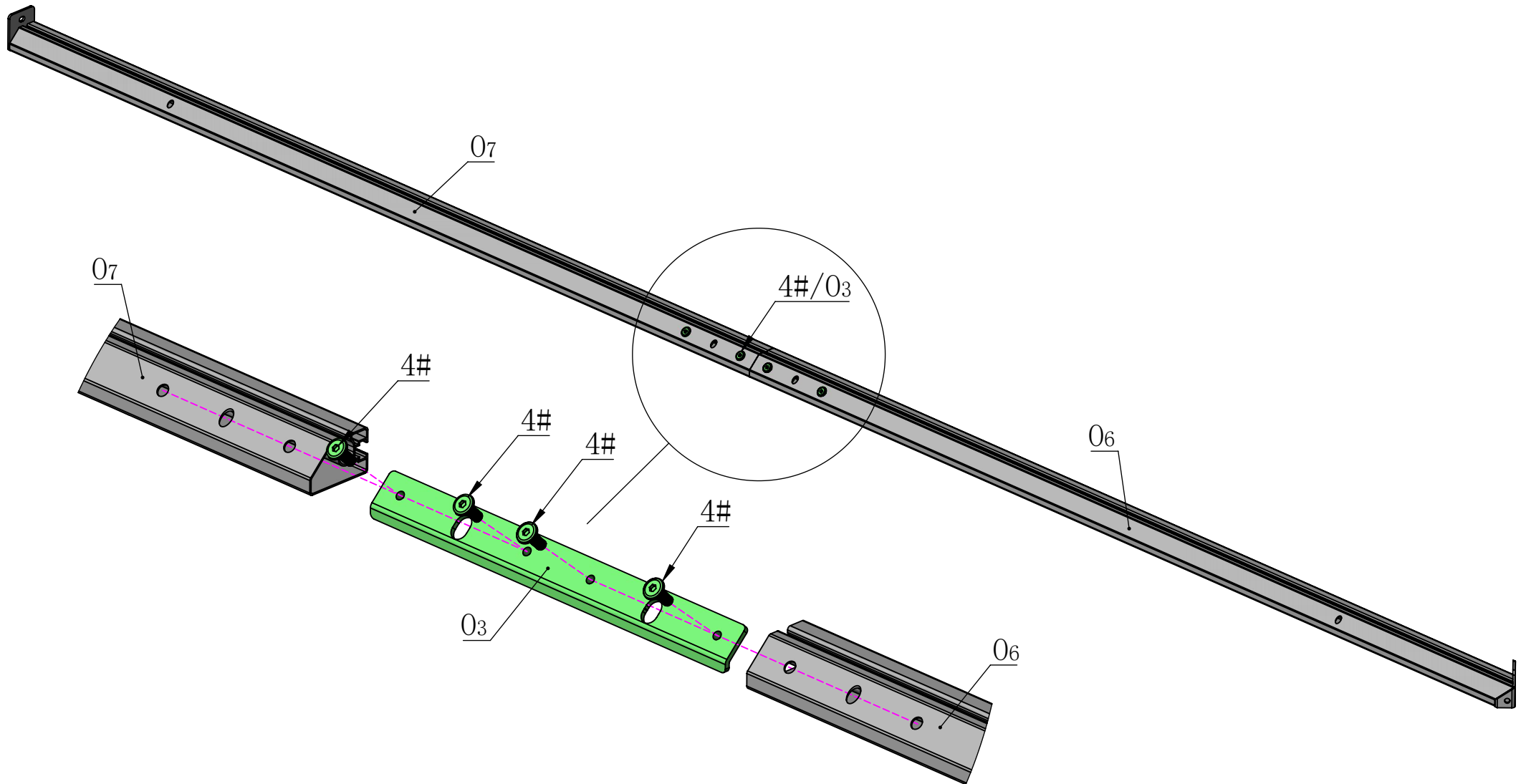
M6*16

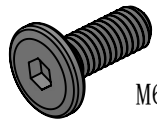
4# 4X



S4

16# 1X

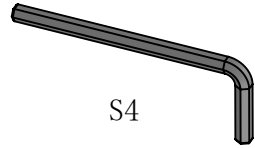




M6*16

4#

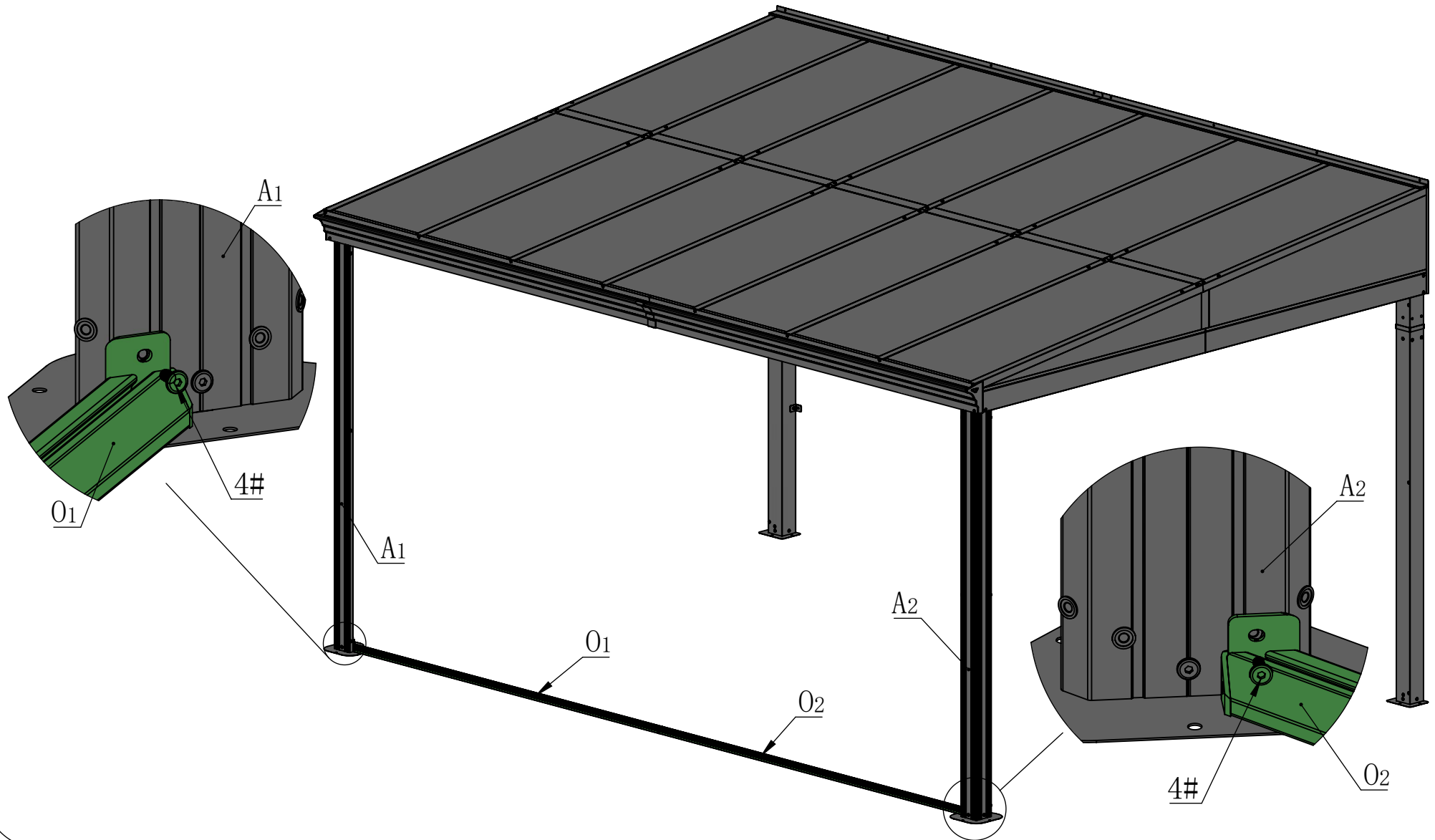
2X

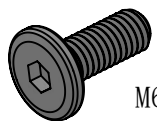


S4

16#

1X

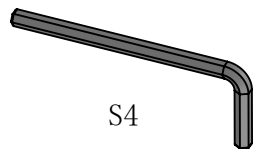




M6*16

4#

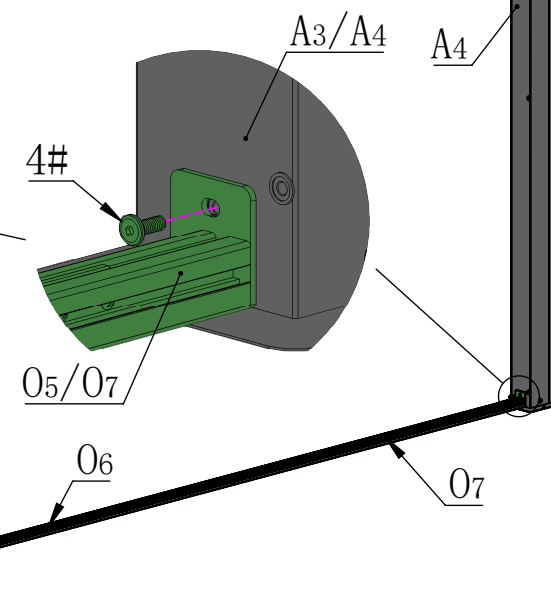
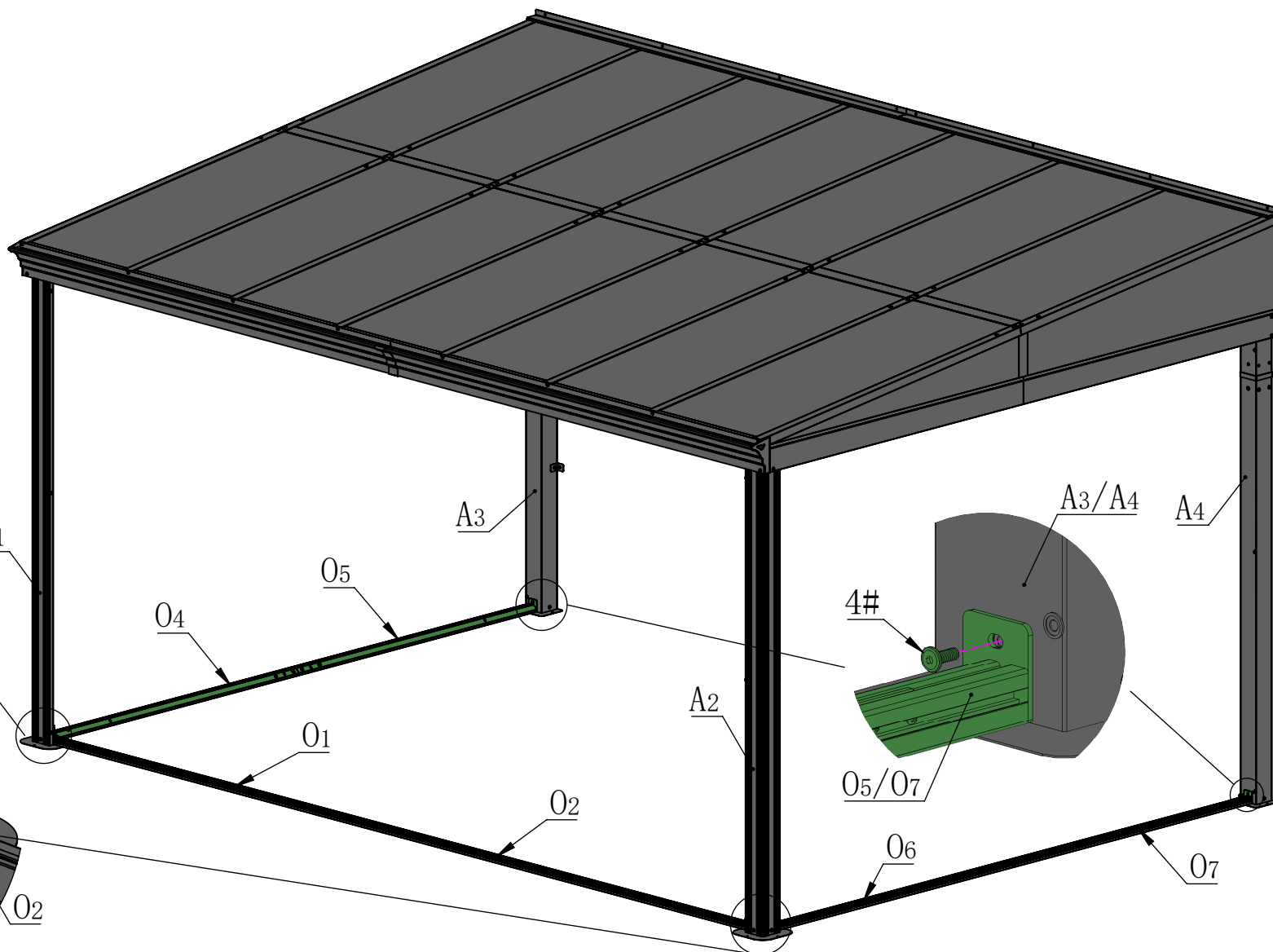
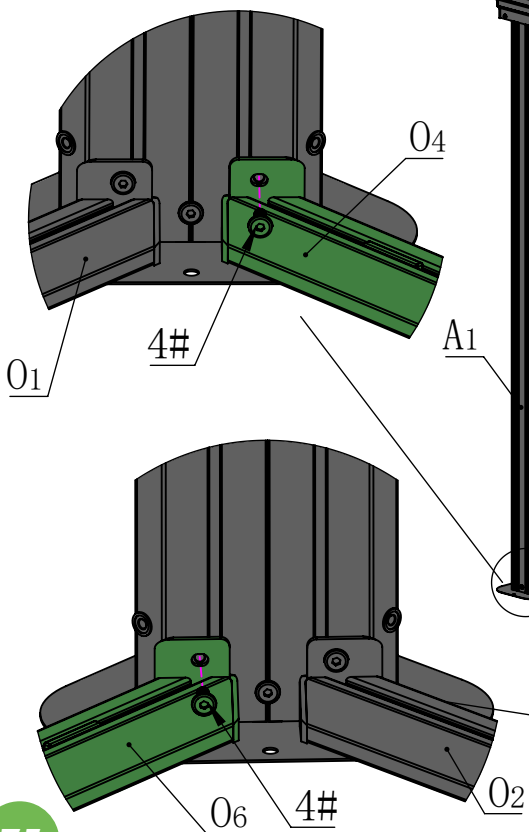
4X



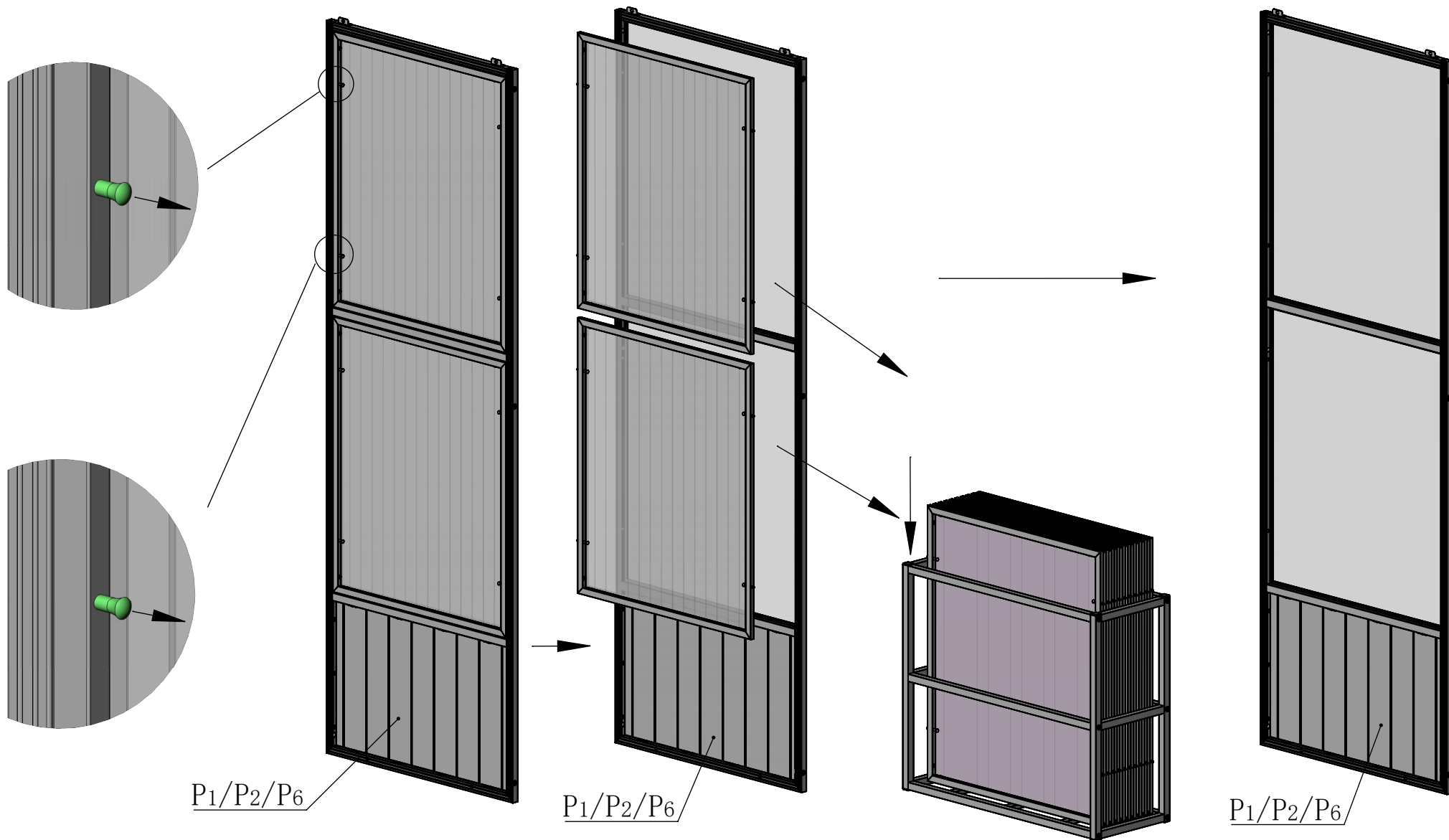
S4

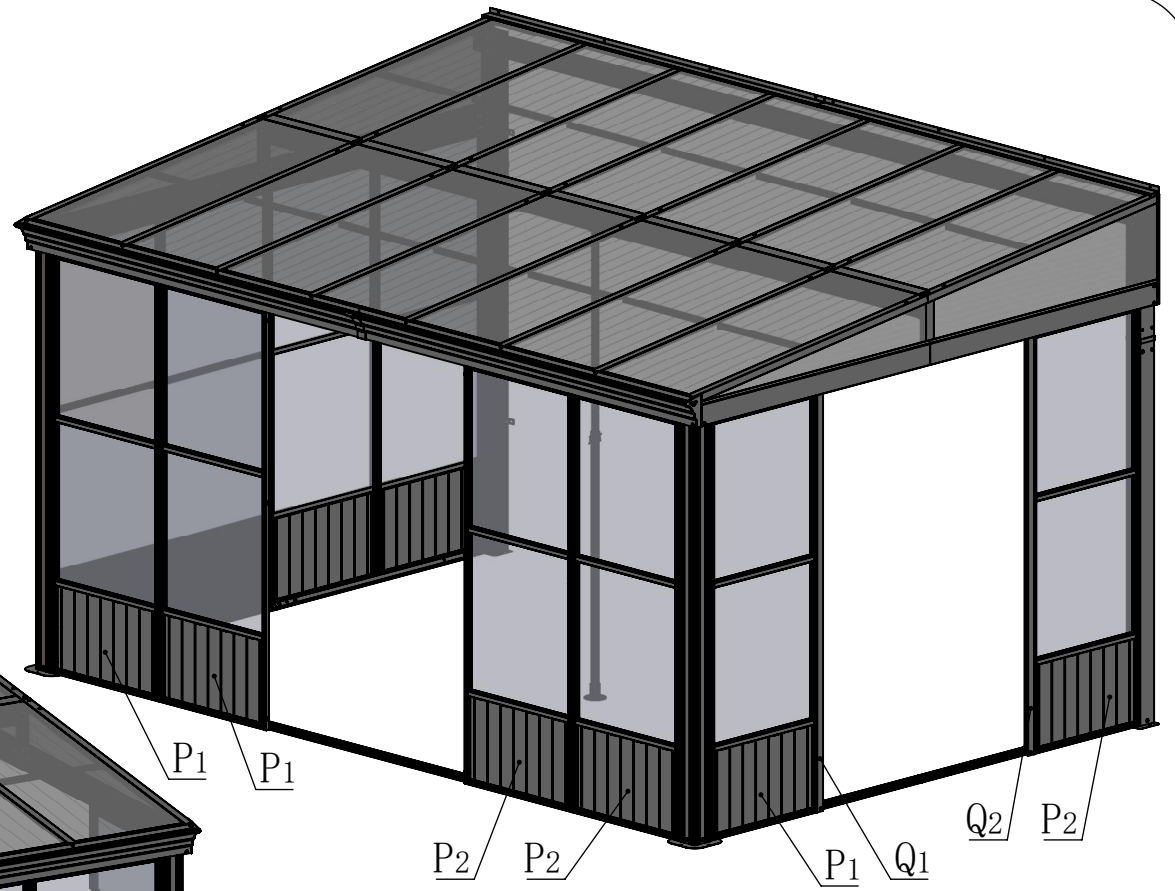
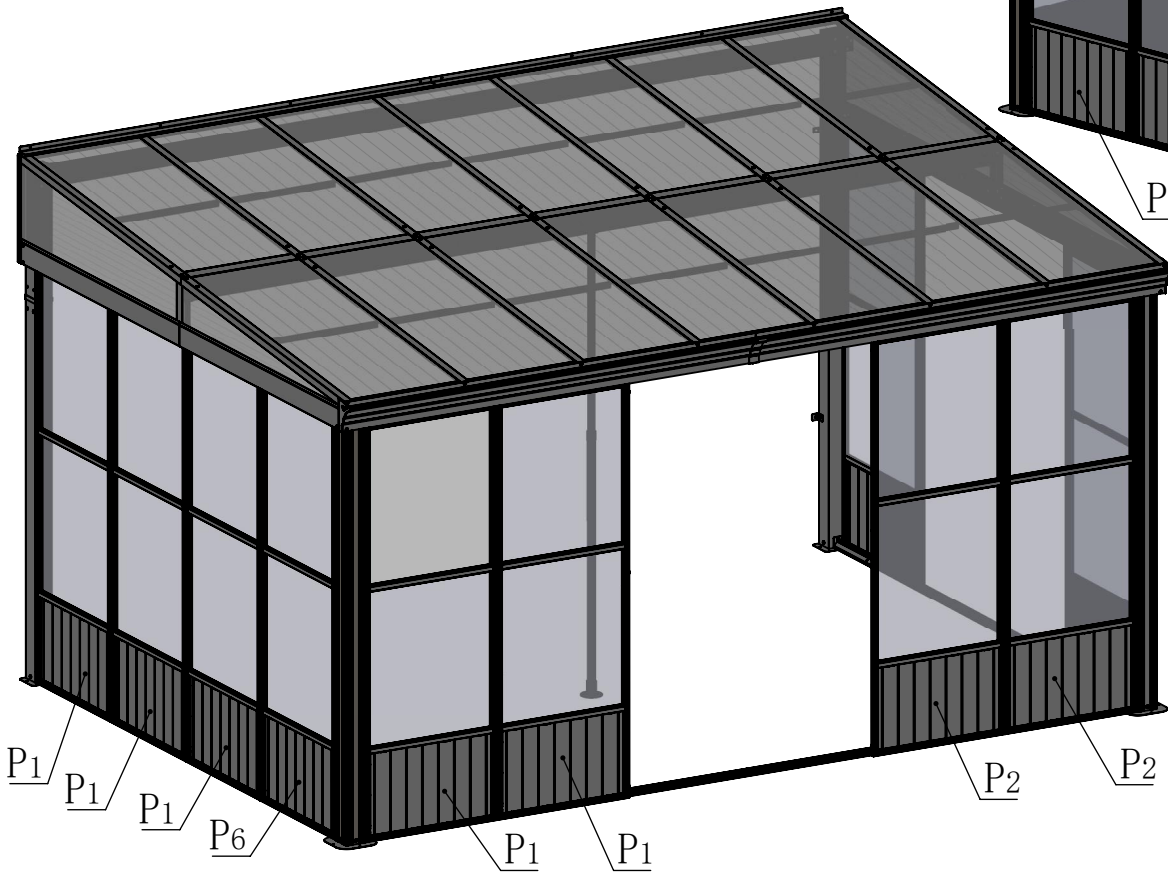
16#

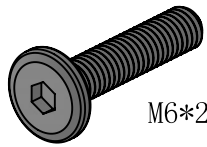
1X



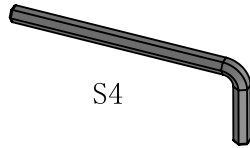
Please remove the window screens BEFORE assembling the wall panel.







M6*28

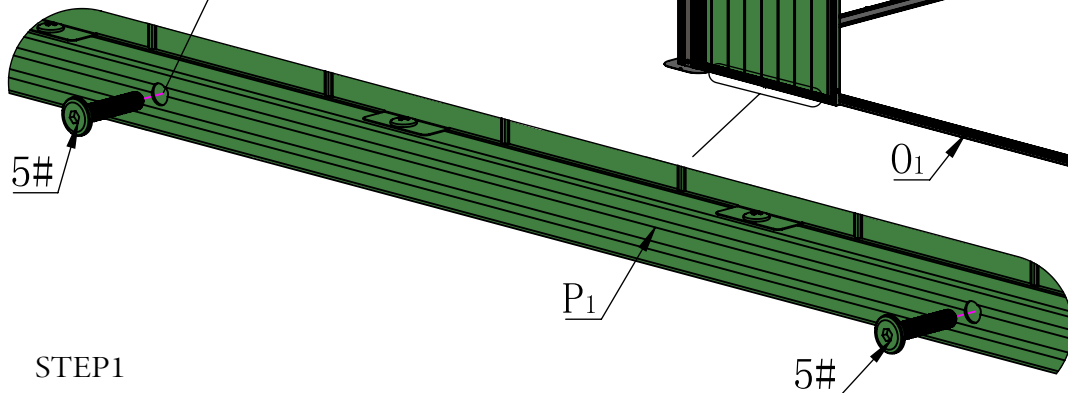
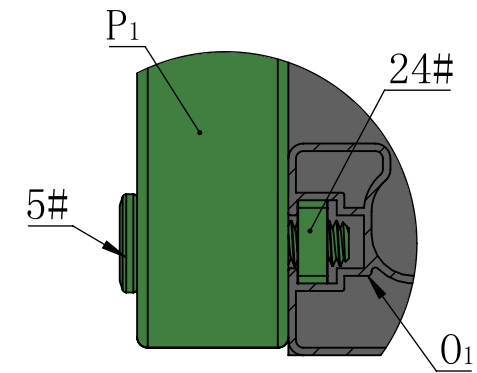


S4

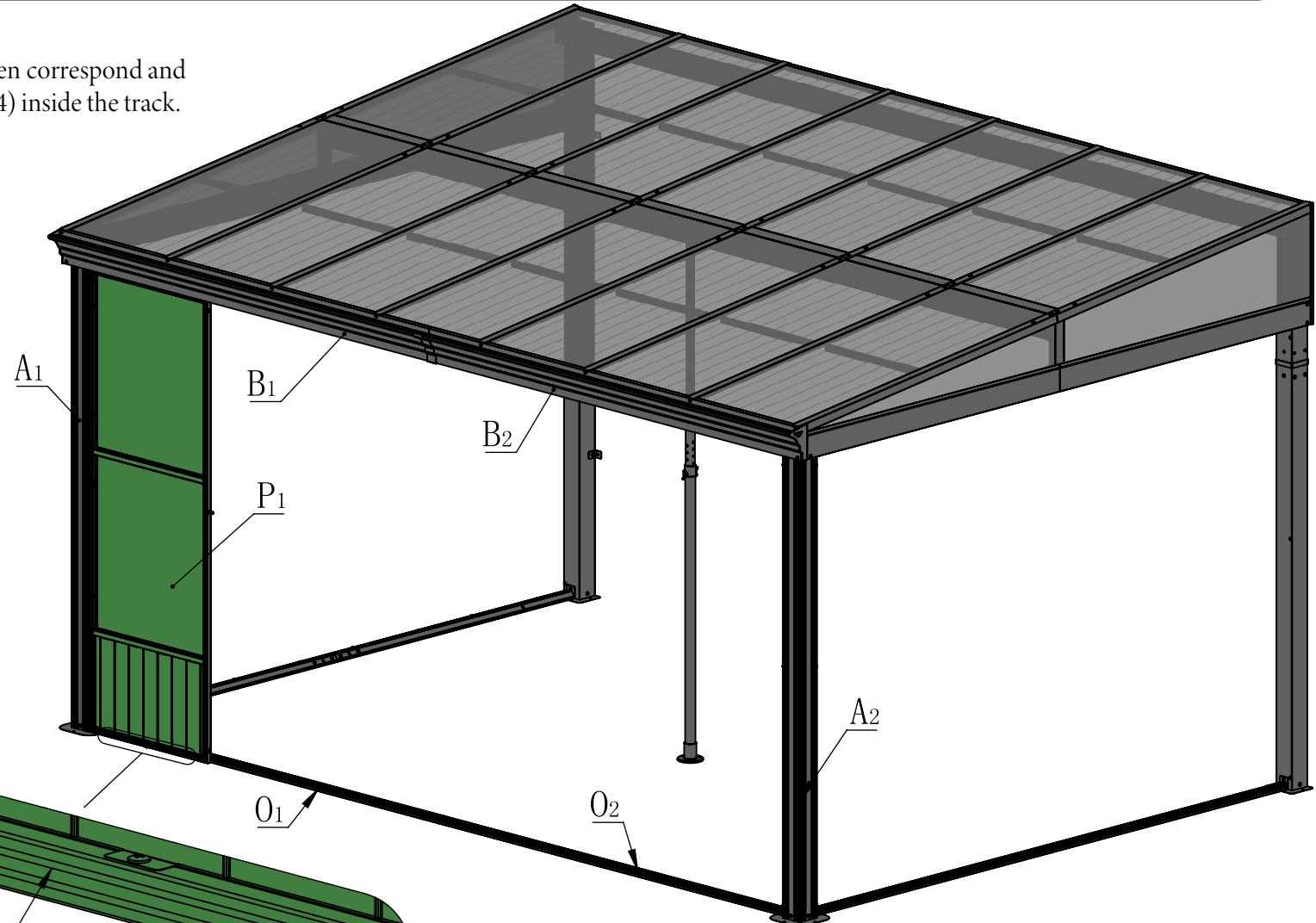
5# 2X

16# 1X

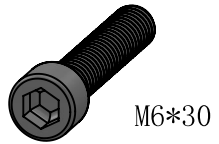
Insert the wall panel (#P1) into the track (O1), then correspond and position the screws (#5) with the square nuts (#24) inside the track.



STEP1



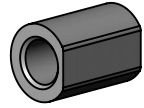
Note: Assemble according to the sequence of steps. Tighten each screen after all screws are positioned. (Align the holes, tighten screw #5 to metal square nuts #24 first)



M6*30

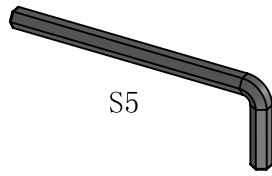
19#

3X



20#

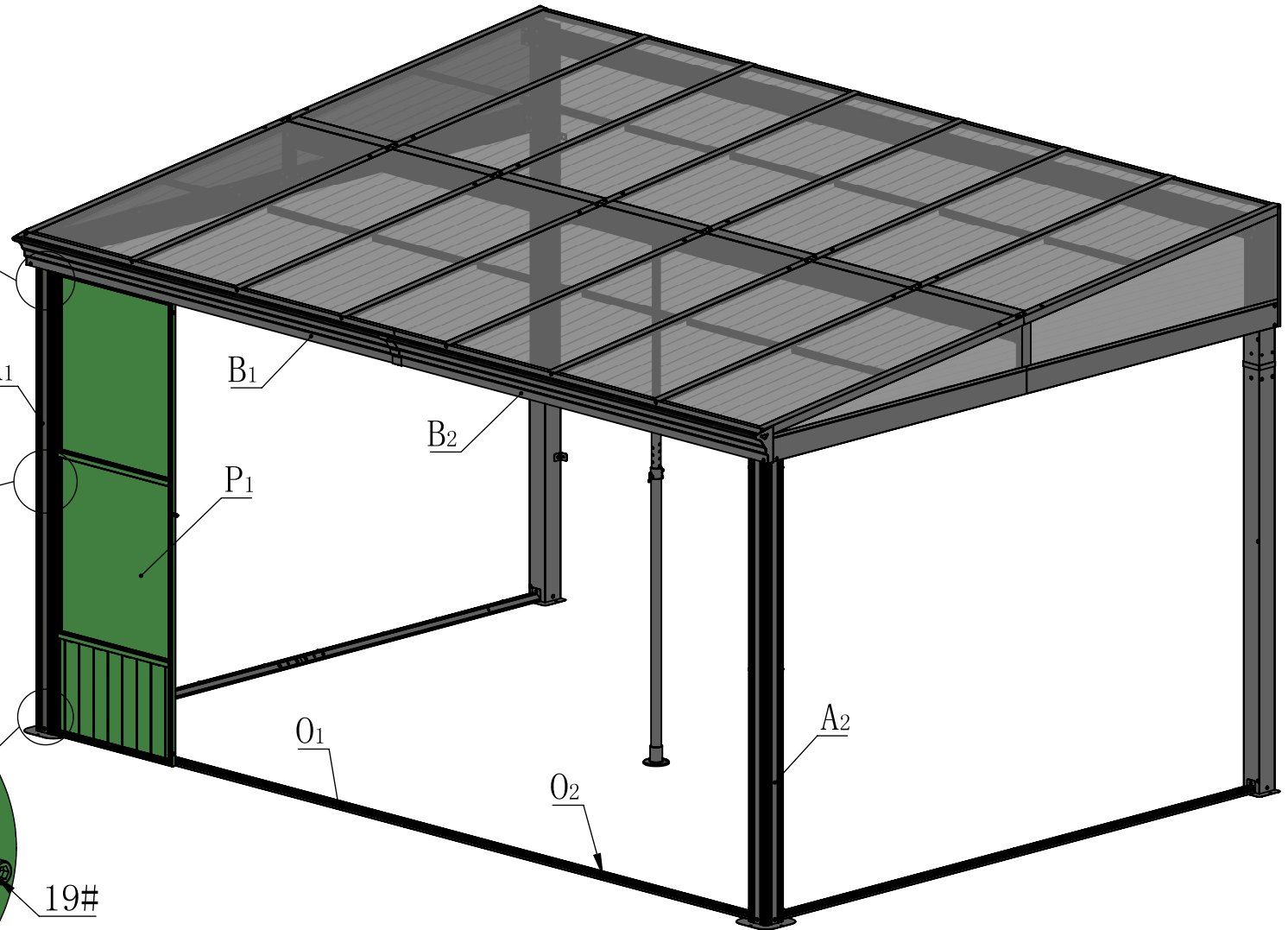
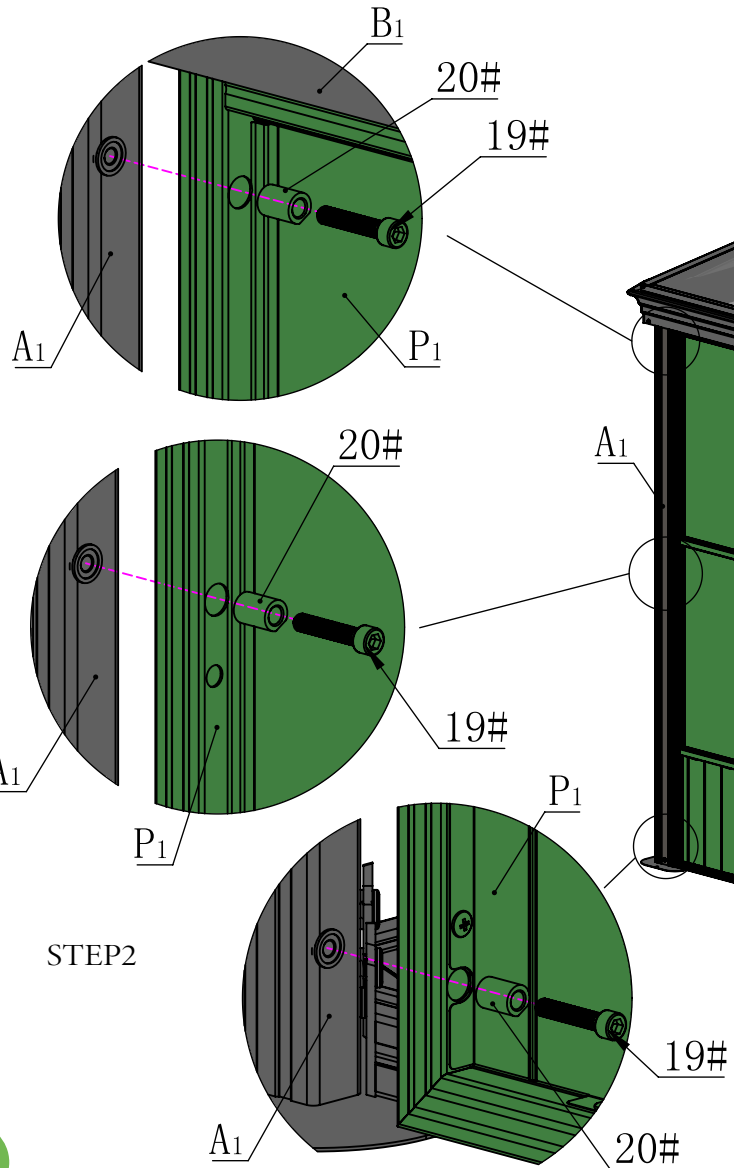
3X



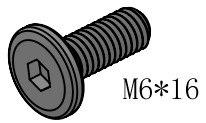
S5

25#

1X

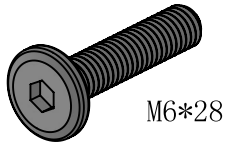


Note: Use parts #19 and #20 to secure the wall panel (#P1) to the post (#A1).



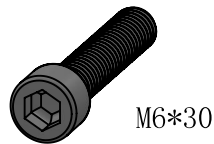
M6*16

4# 4X



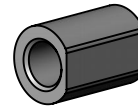
M6*28

5# 4X

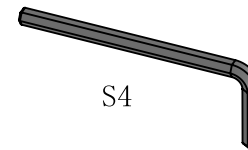


M6*30

19# 6X

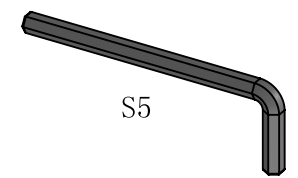


20# 6X



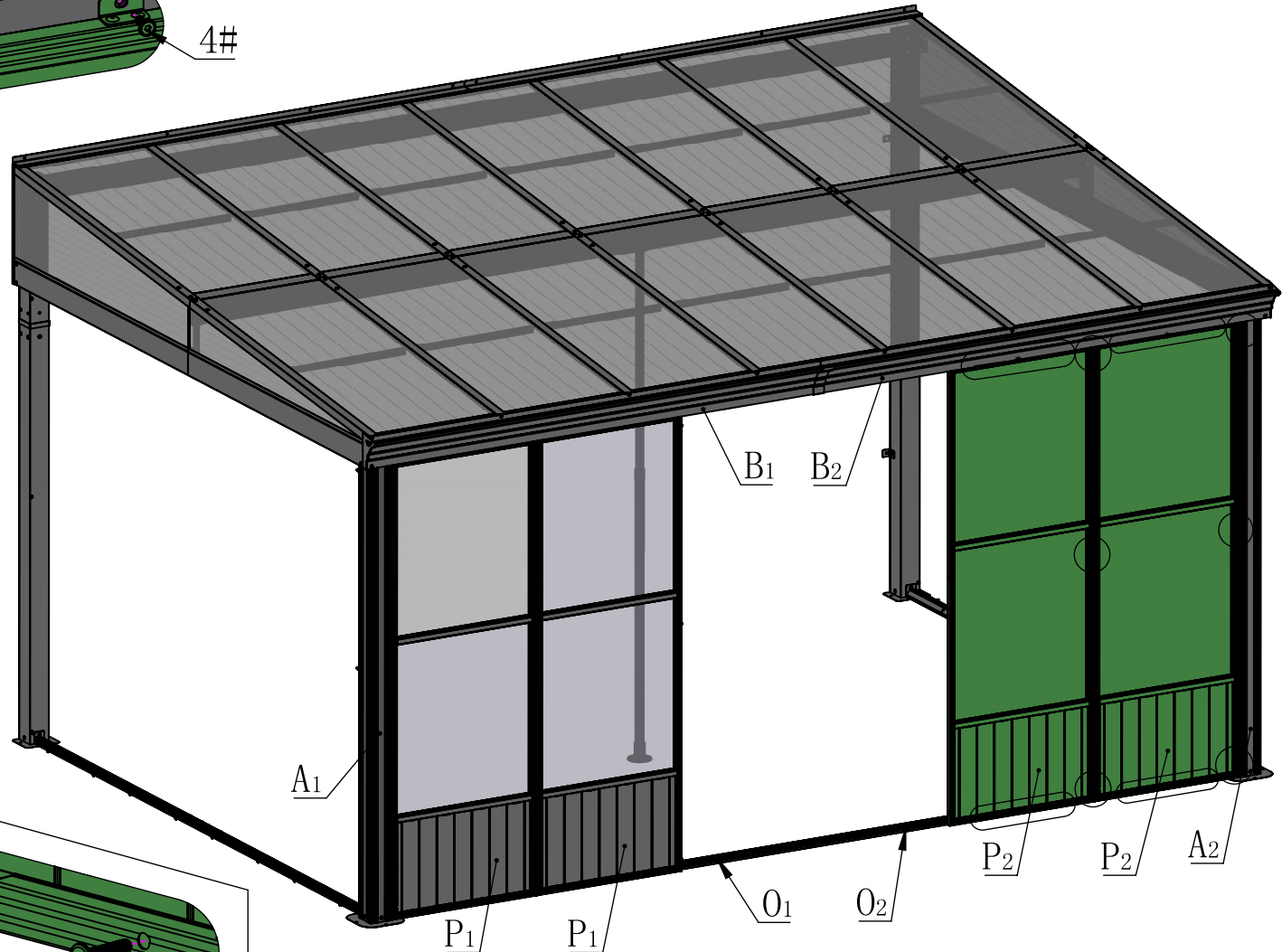
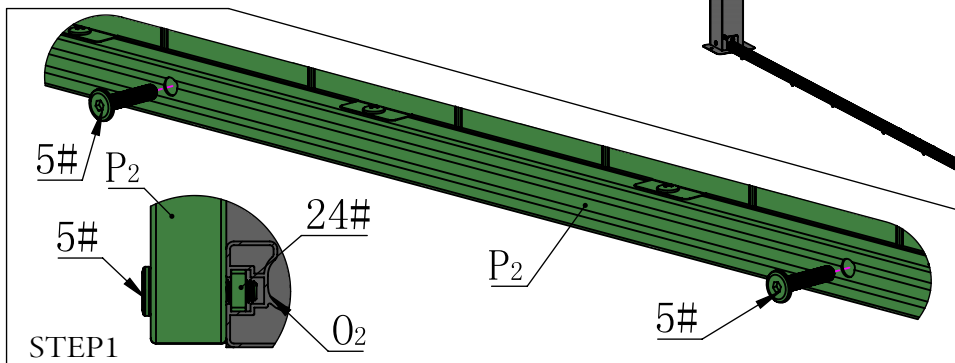
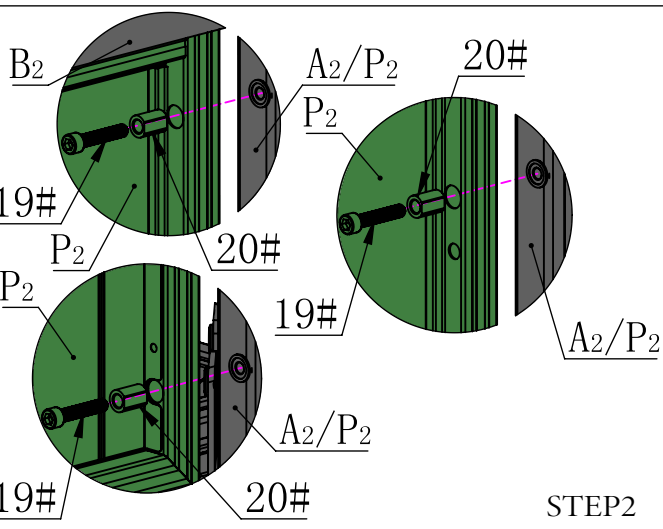
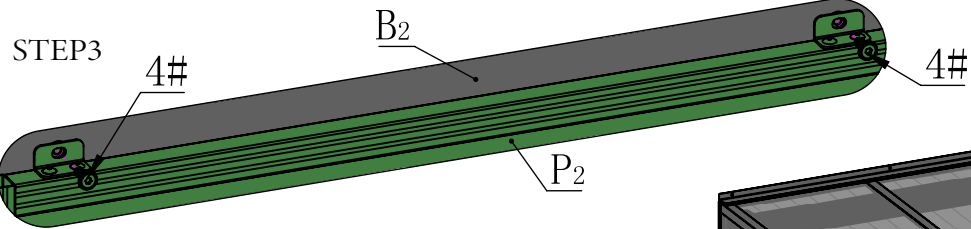
S4

16# 1X

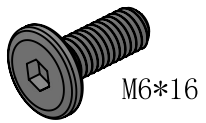


S5

25# 1X

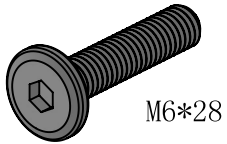


Note: Assemble according to the sequence of steps. Tighten each screen after all screws are positioned. (Align the holes, tighten screw 5# to metal square nuts 24# first)



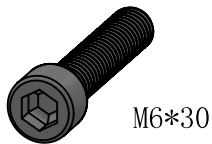
M6*16

4# 2X



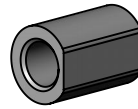
M6*28

5# 2X

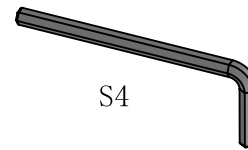


M6*30

19# 3X

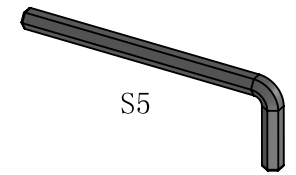


20# 3X



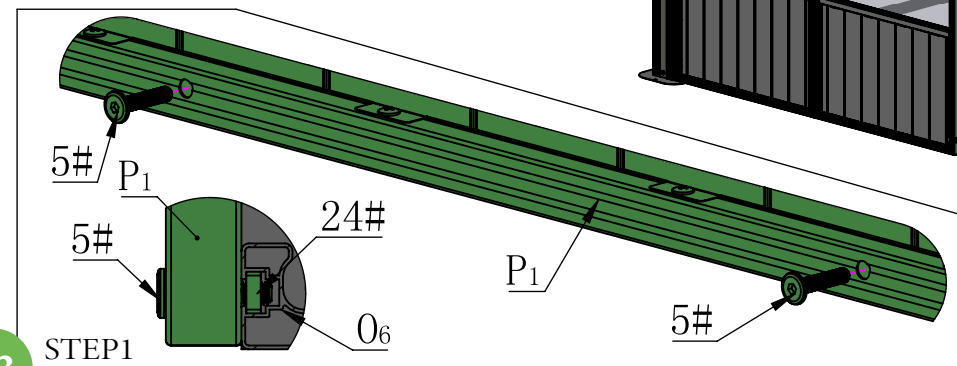
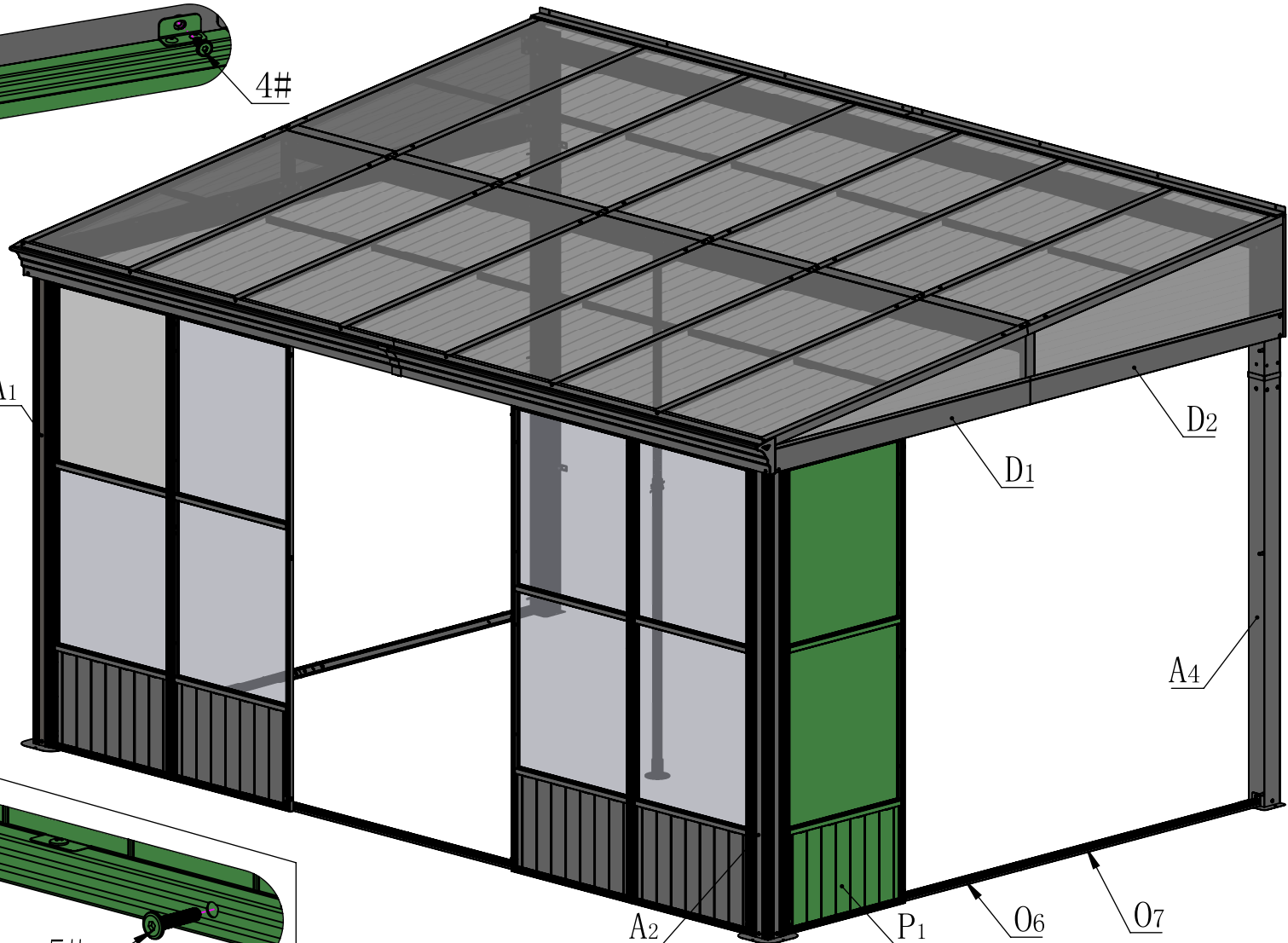
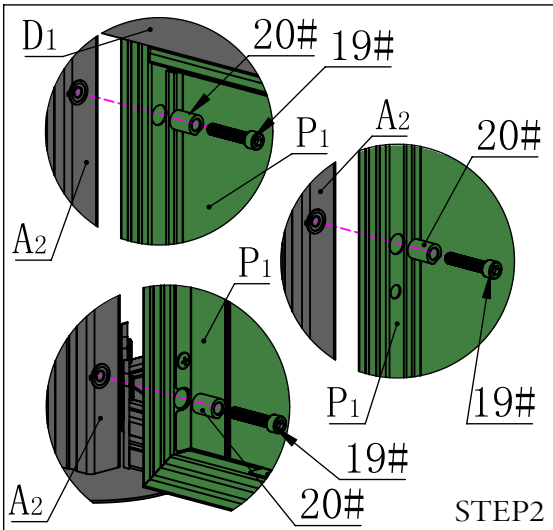
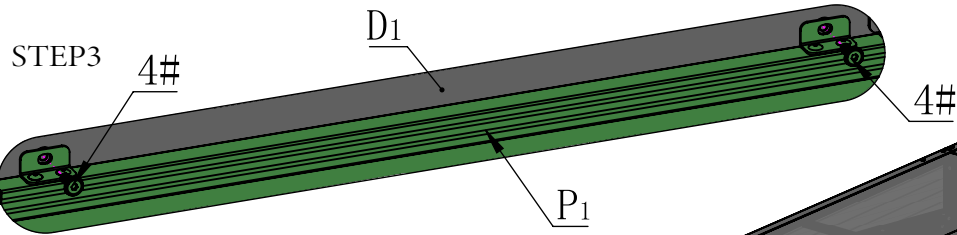
S4

16# 1X

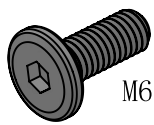


S5

25# 1X



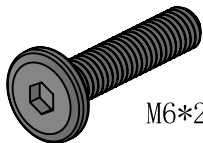
Note: Assemble according to the sequence of steps. Tighten each screen after all screws are positioned. (Align the holes, tighten screw 5# to metal square nuts 24# first)



M6*16

4#

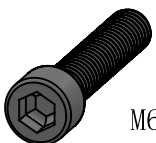
6X



M6*28

5#

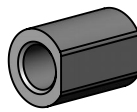
6X



M6*30

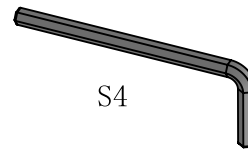
19#

9X



20#

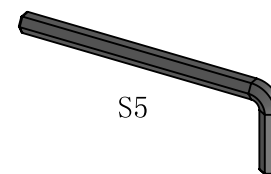
9X



S4

16#

1X

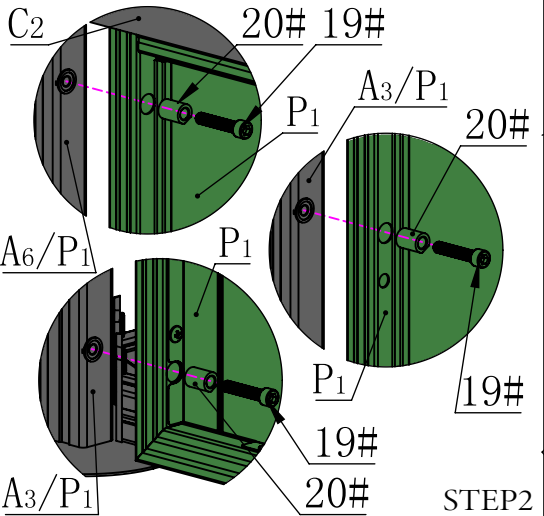
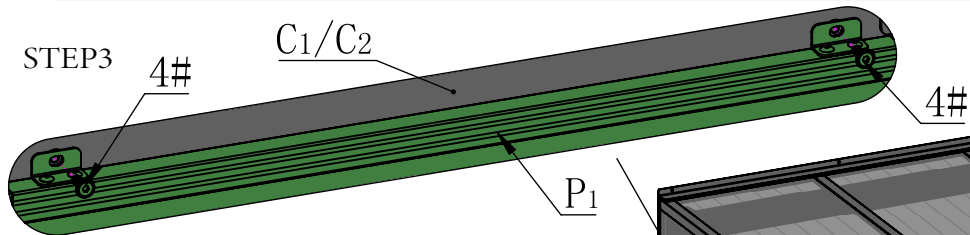


S5

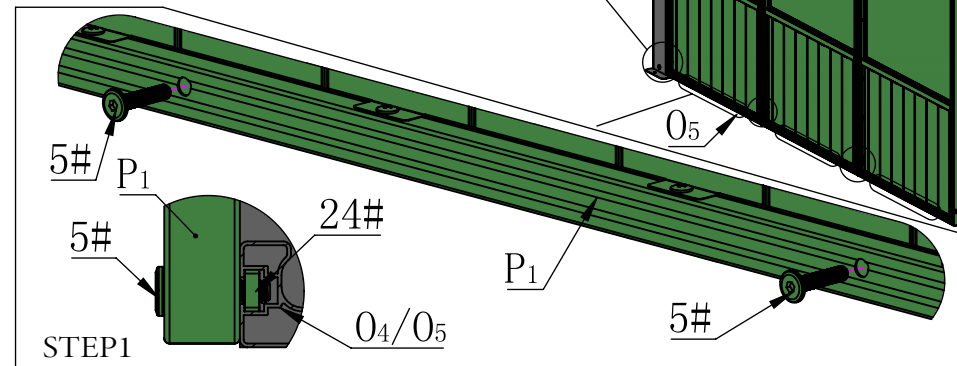
25#

1X

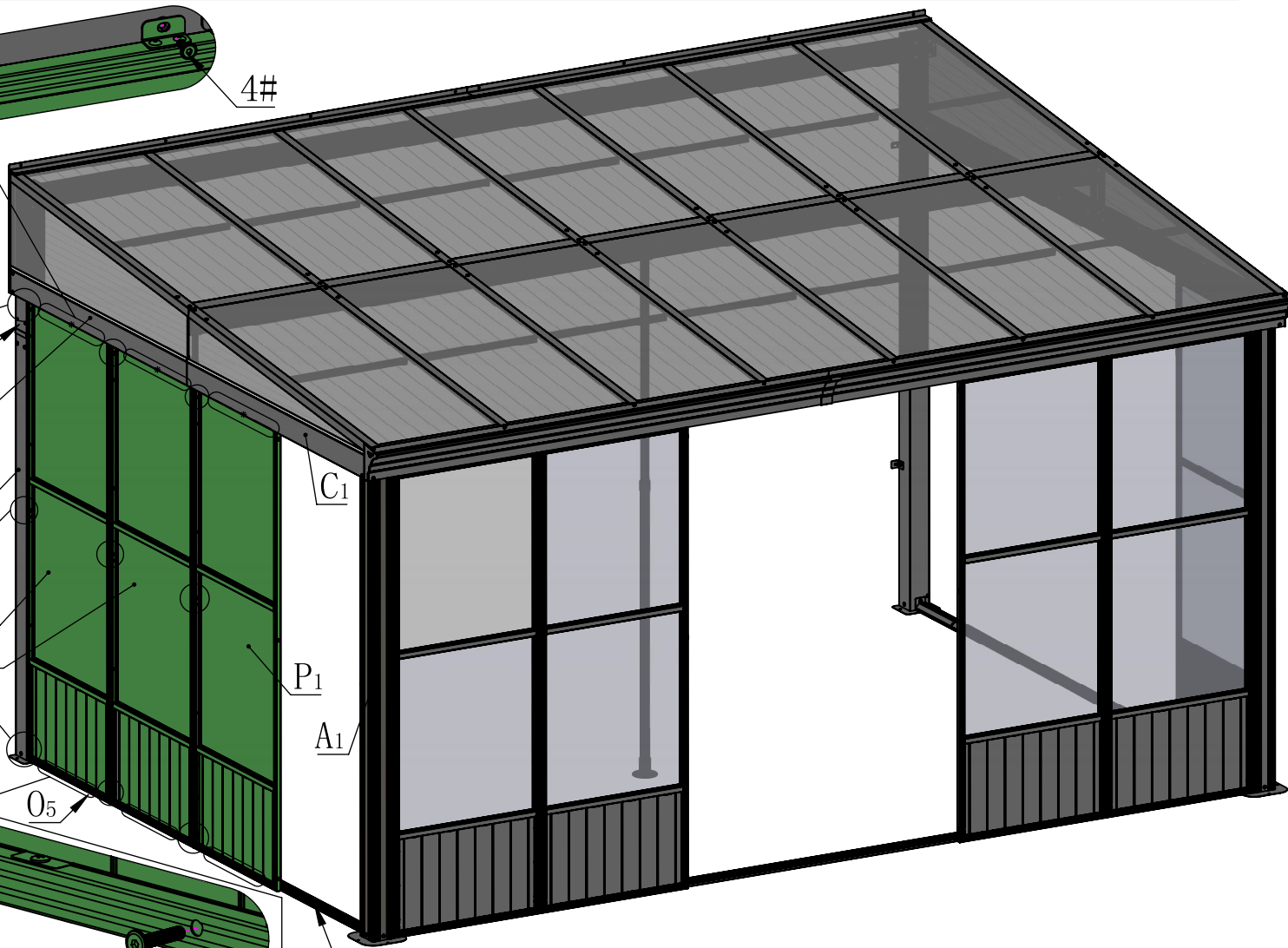
STEP3



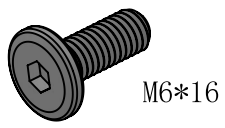
STEP2



STEP1

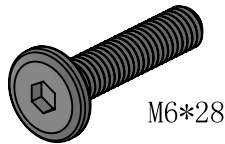


Note: Assemble according to the sequence of steps. Tighten each screen after all screws are positioned. (Align the holes, tighten screw 5# to metal square nuts 24# first)



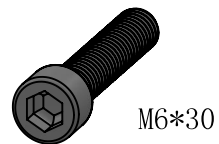
M6*16

4# 2X



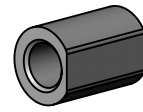
M6*28

5# 2X

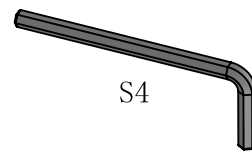


M6*30

19# 6X

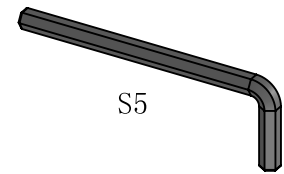


20# 6X



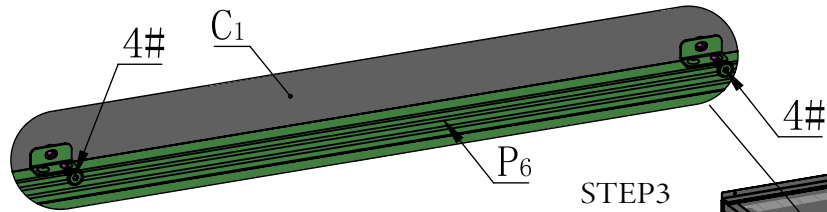
S4

16# 1X

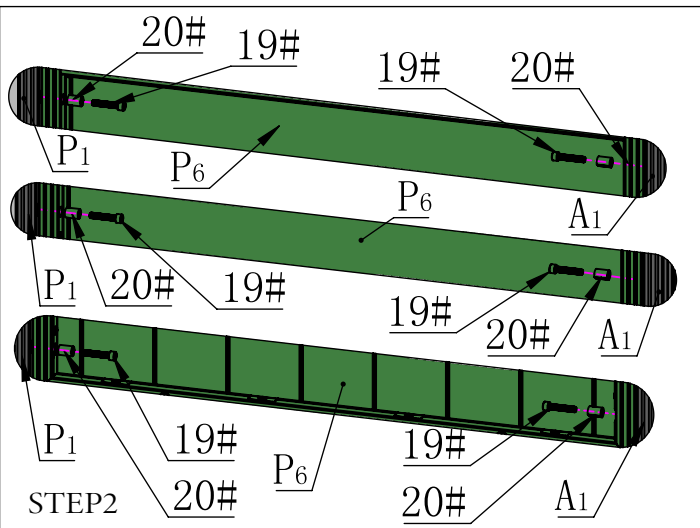


S5

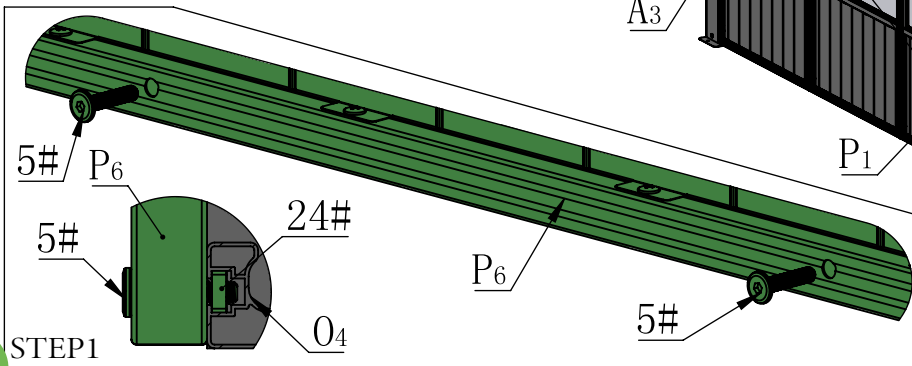
25# 1X



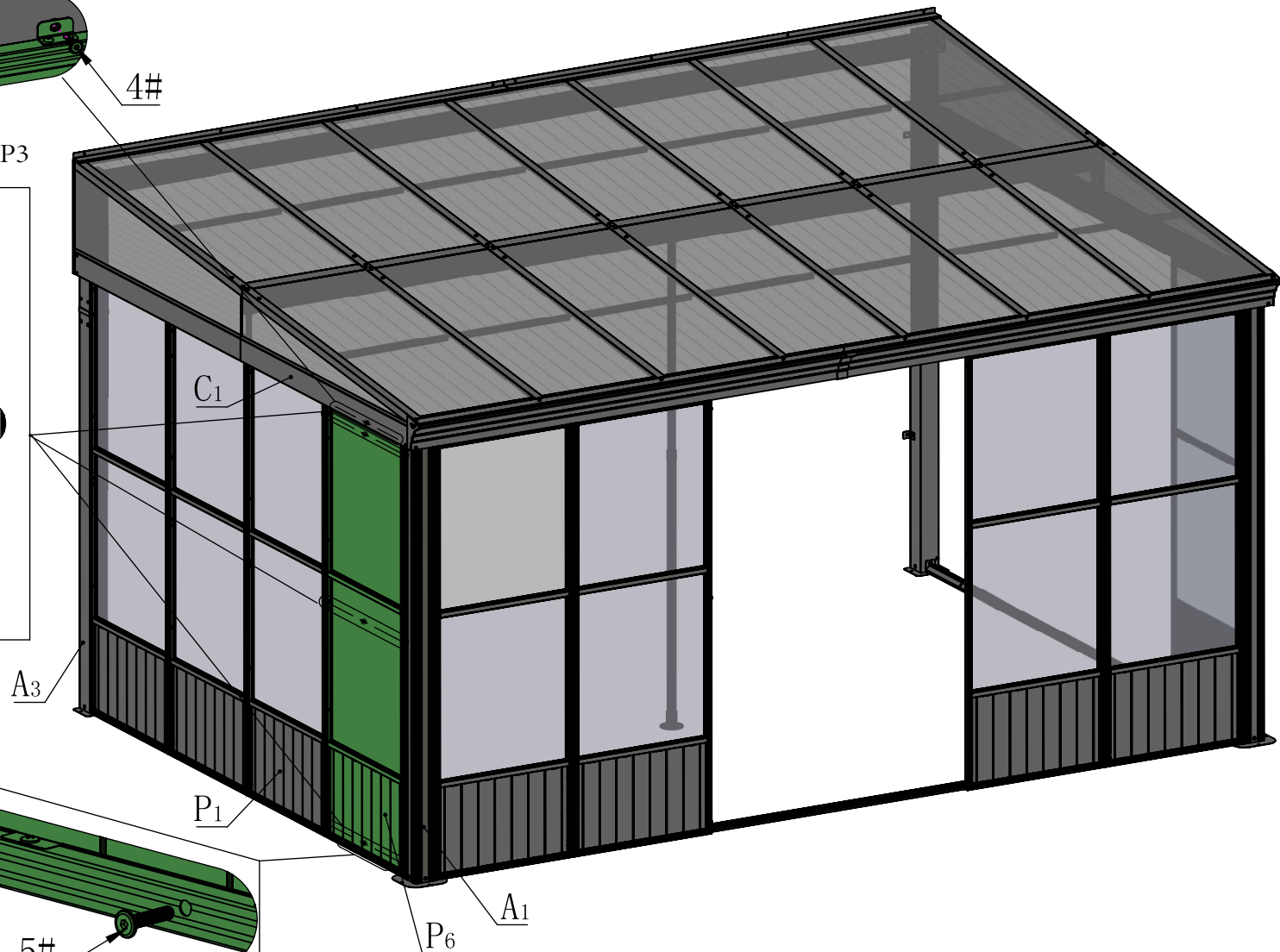
STEP3



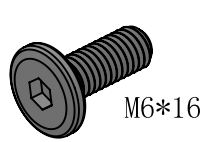
STEP2



STEP1

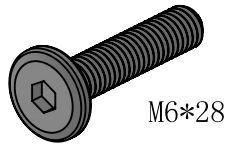


Note: Assemble according to the sequence of steps. Tighten each screen after all screws are positioned. (Align the holes, tighten screw 5# to metal square nuts 24# first)



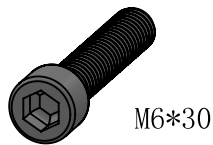
M6*16

4# 2X



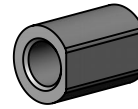
M6*28

5# 2X

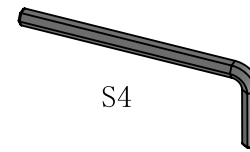


M6*30

19# 3X

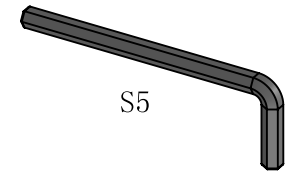


20# 3X



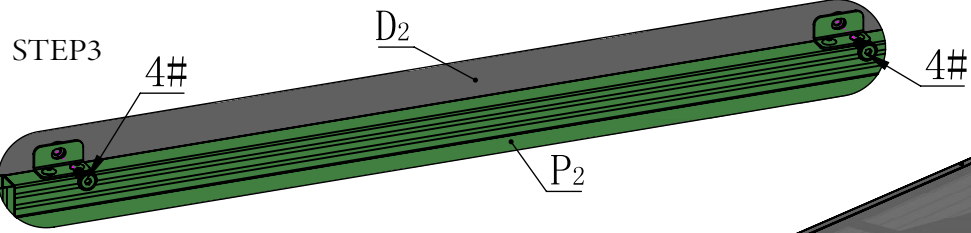
S4

16# 1X

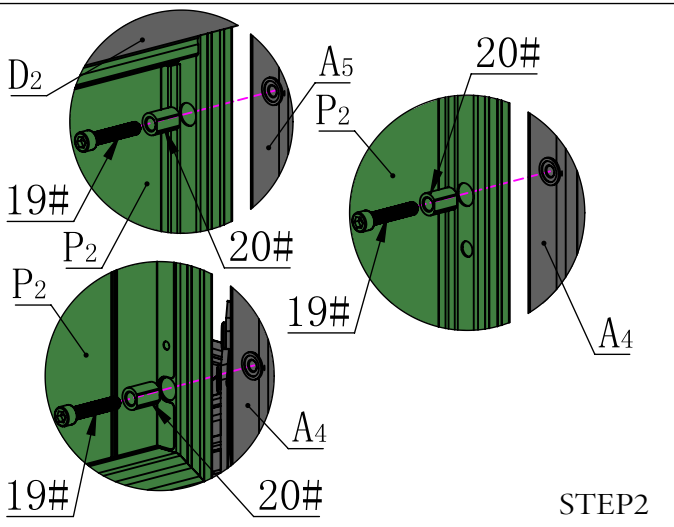


S5

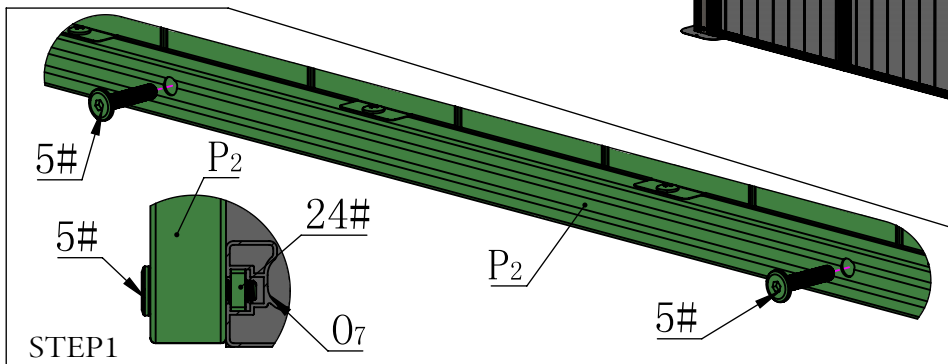
25# 1X



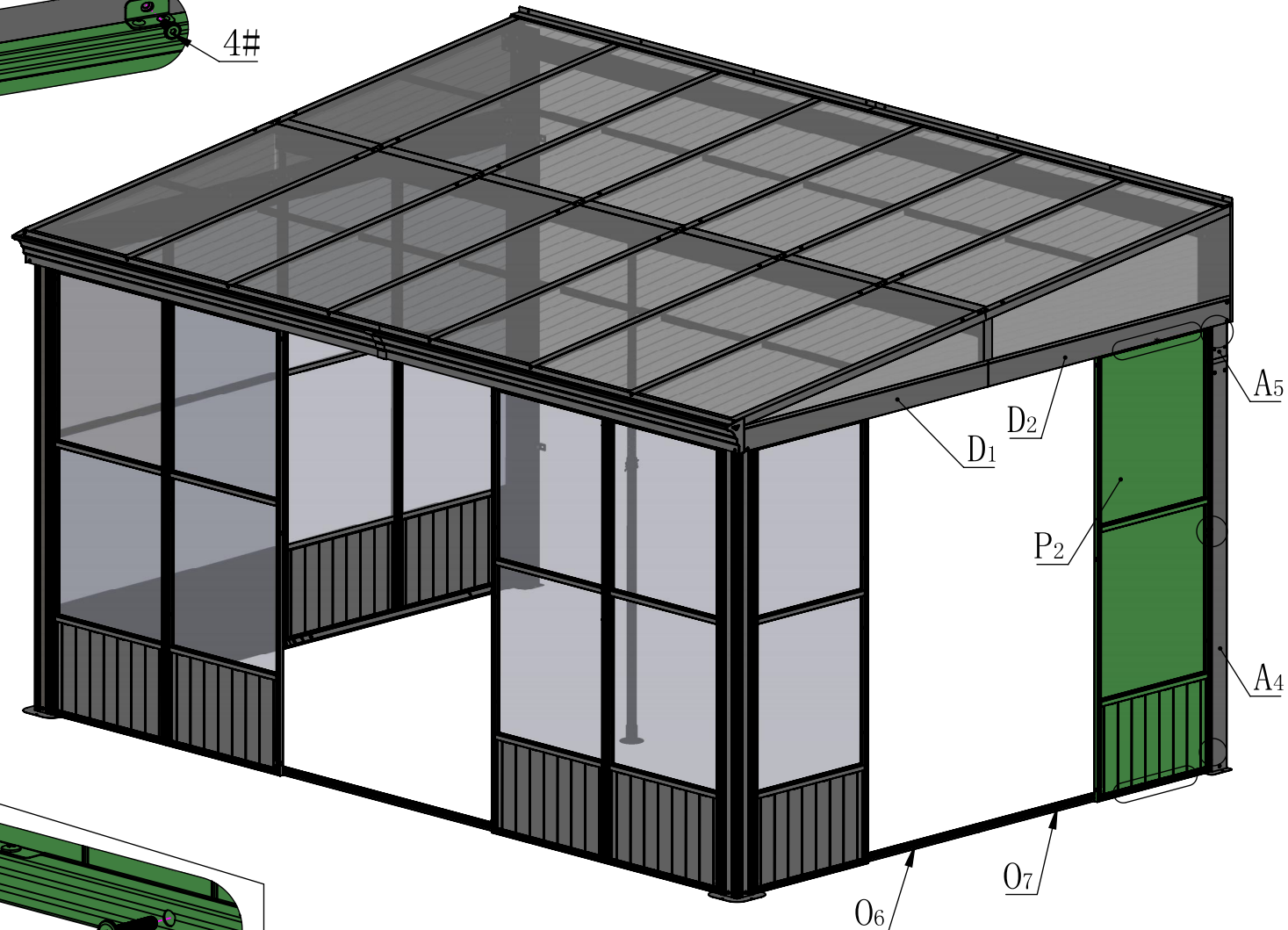
STEP3



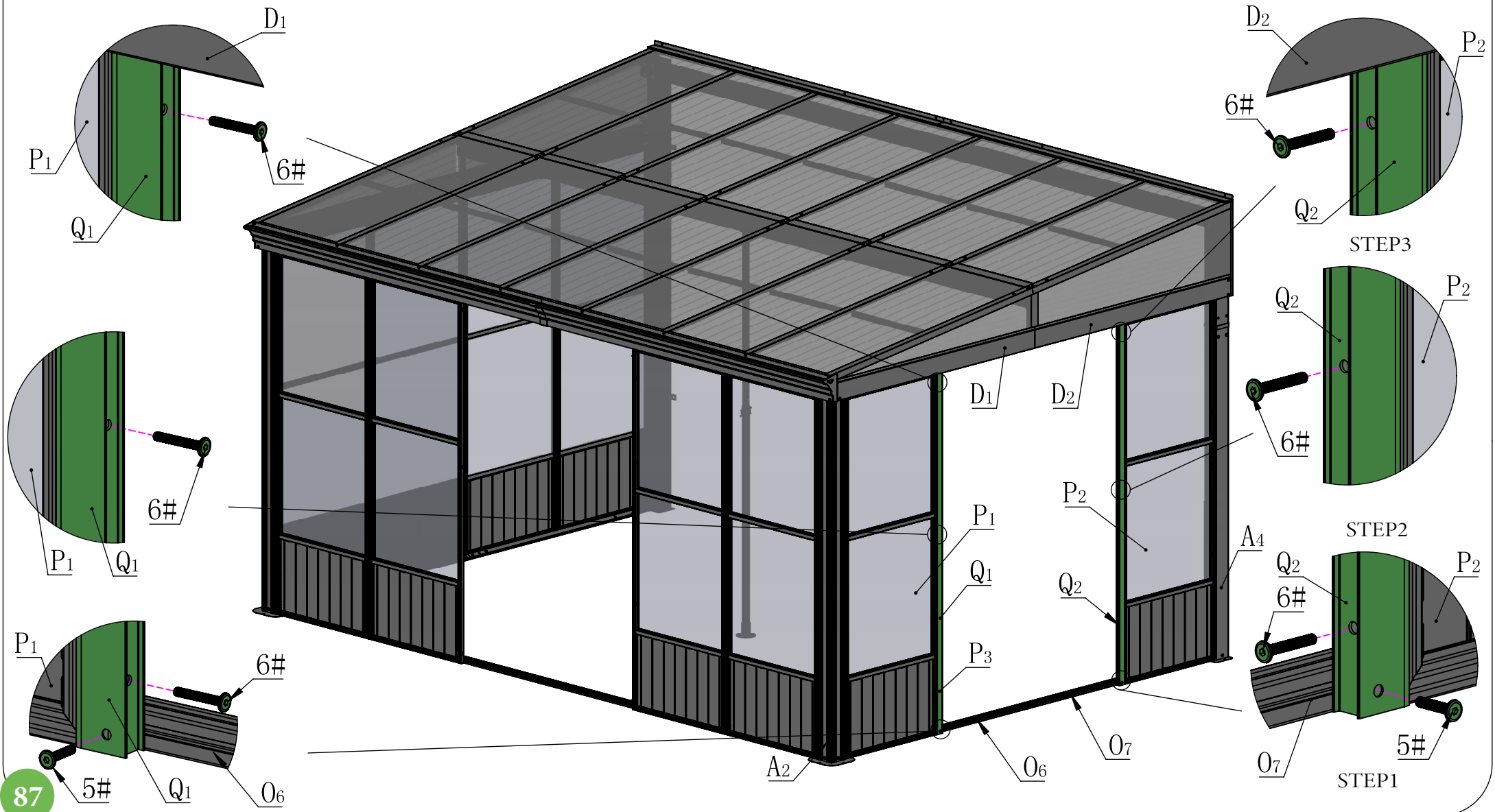
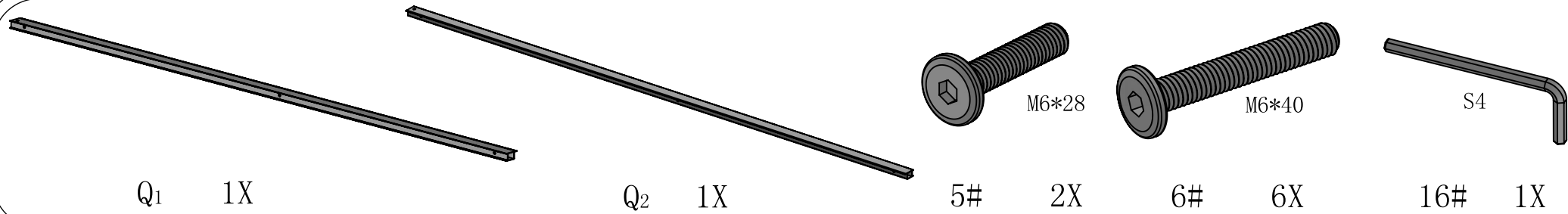
STEP2

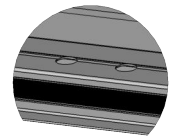
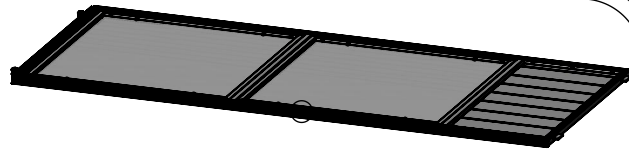
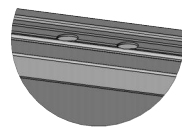
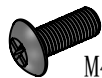


STEP1



Note: Assemble according to the sequence of steps. Tighten each screen after all screws are positioned. (Align the holes, tighten screw 5# to metal square nuts 24# first)





M4

8X

21#

16X

22#

16X

23#

8X

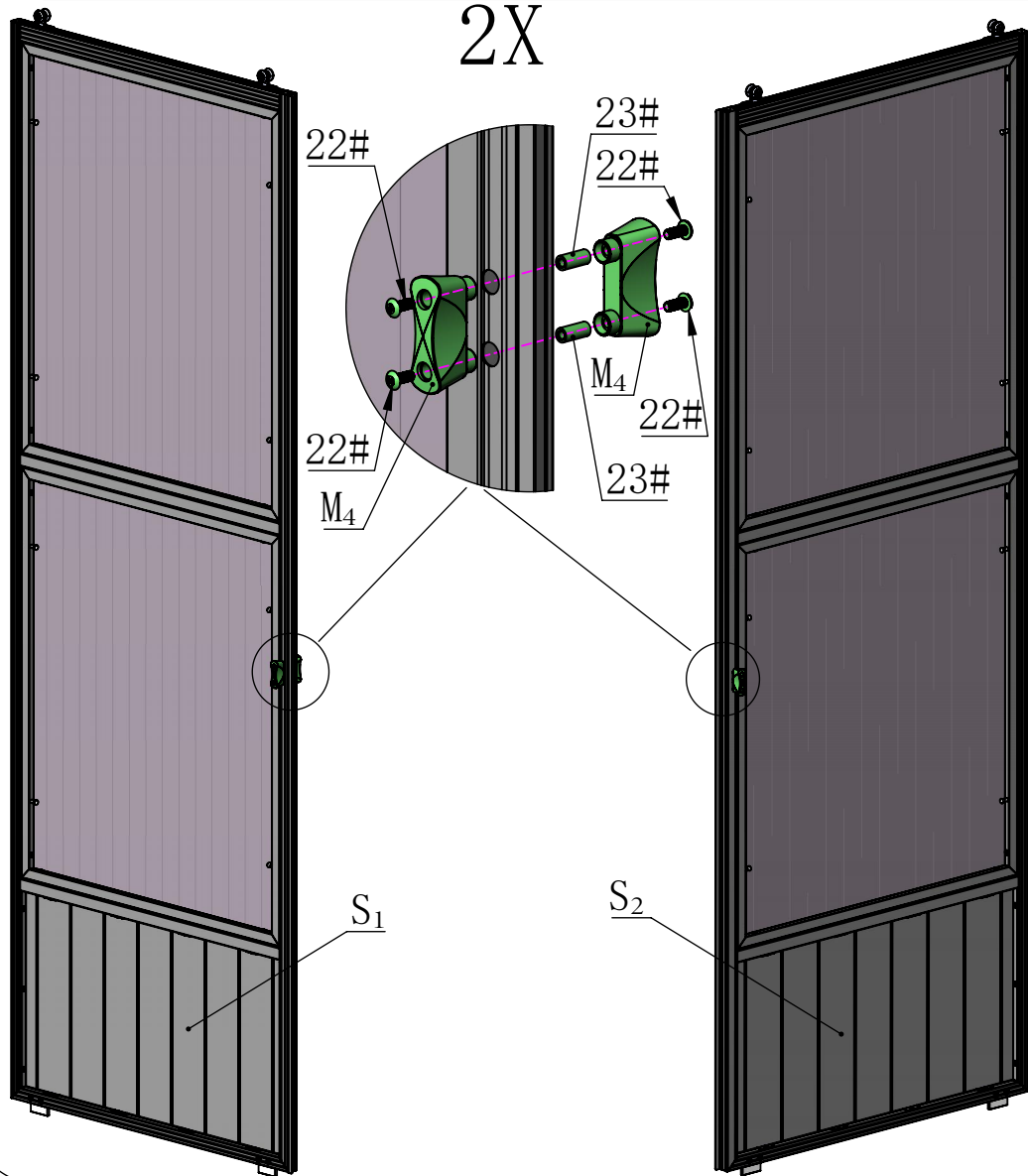
S1

2X

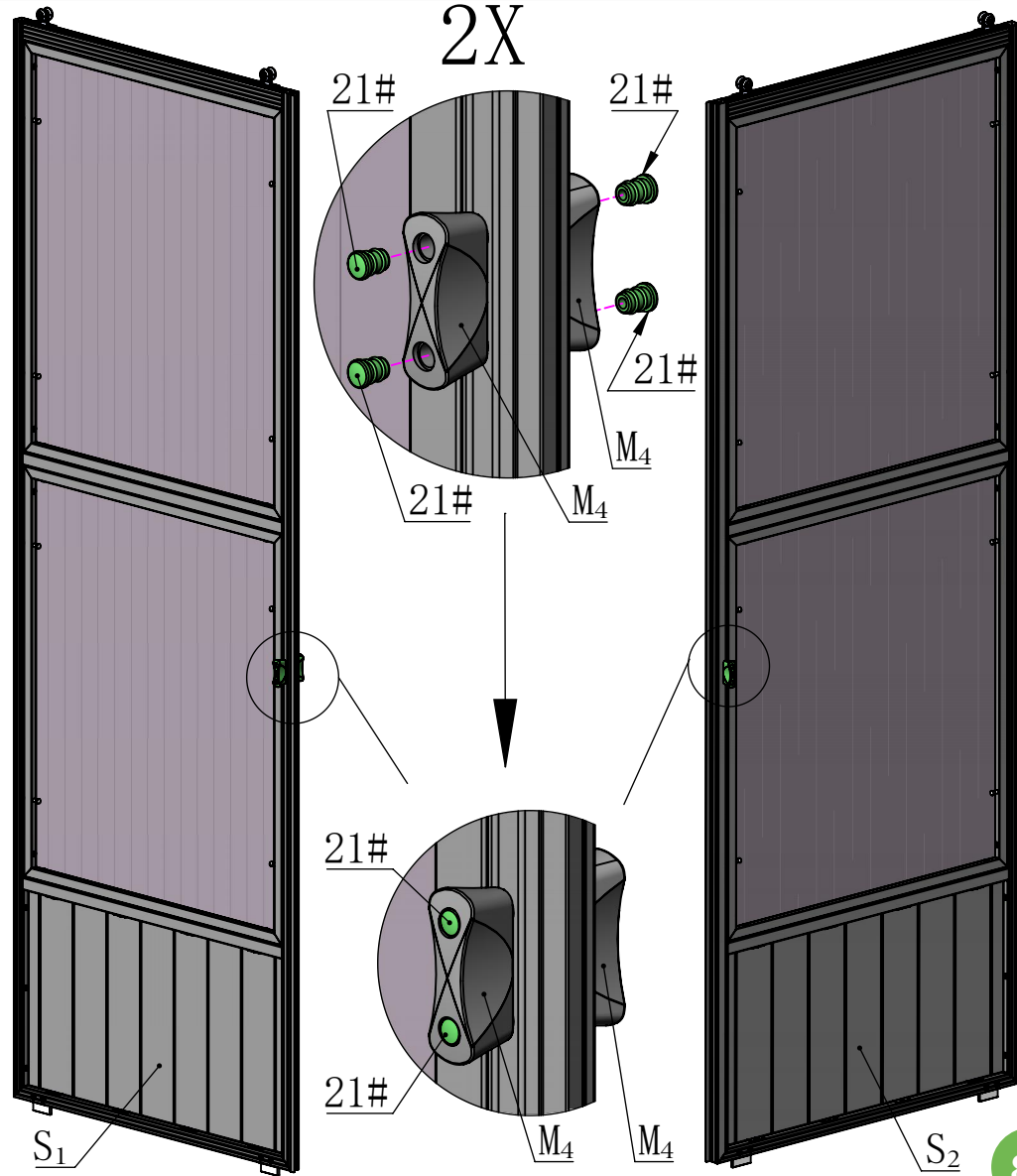
S2

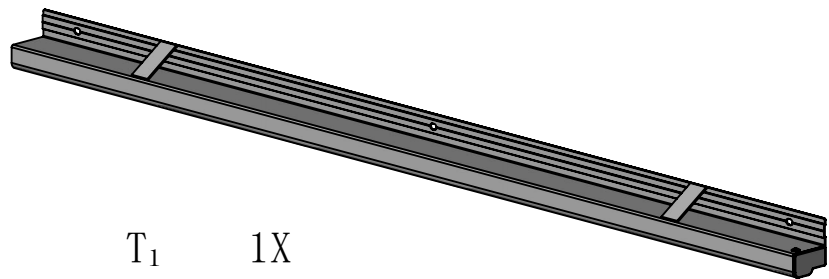
2X

2X

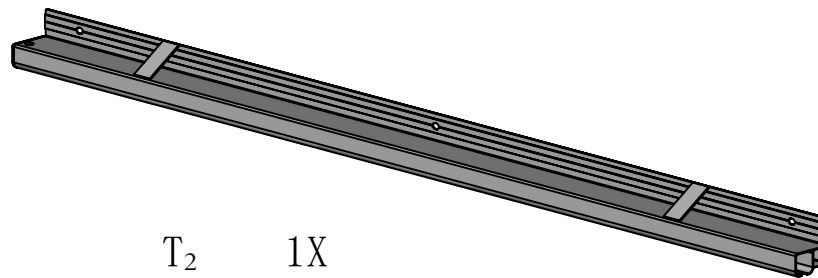


2X

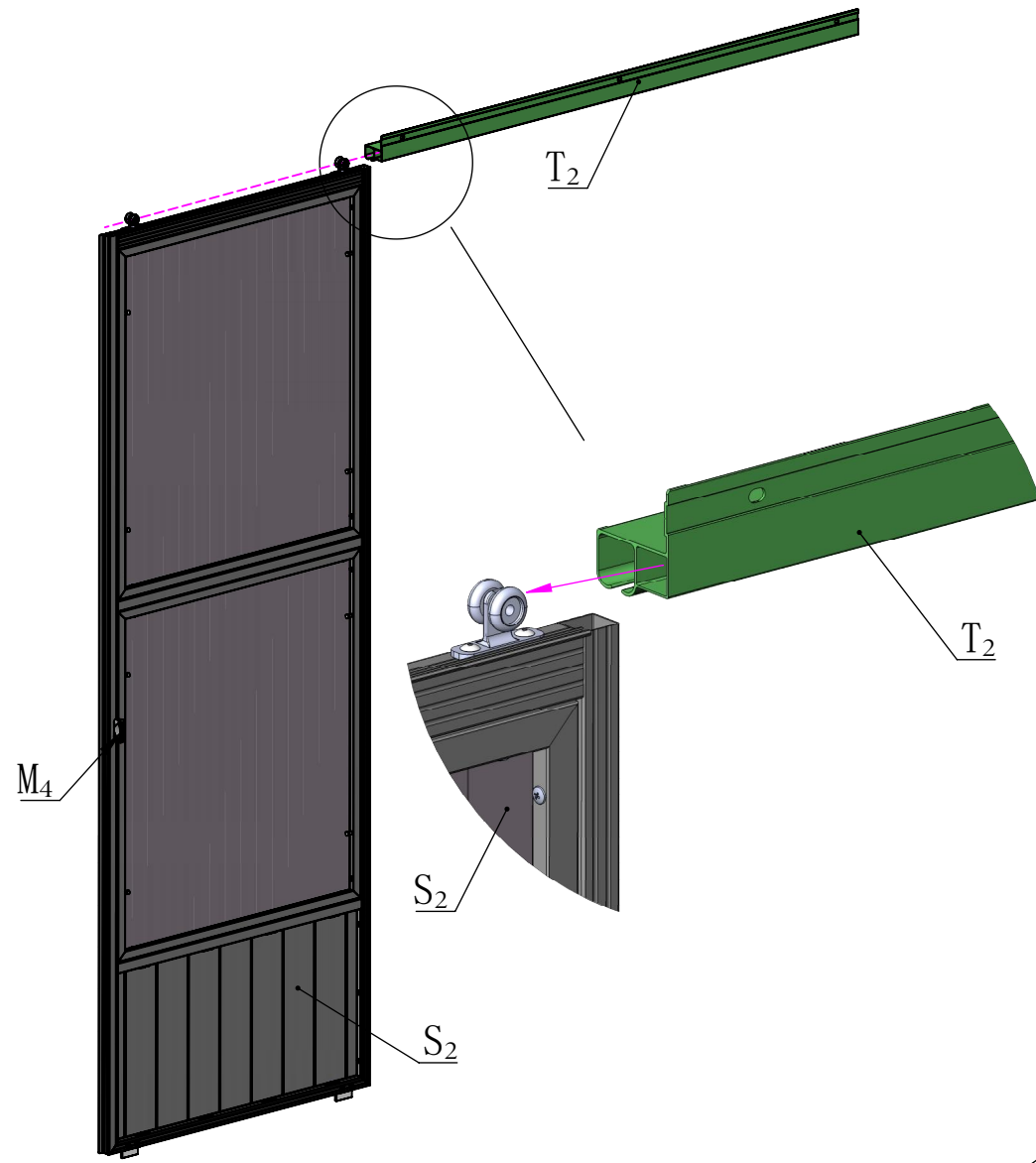
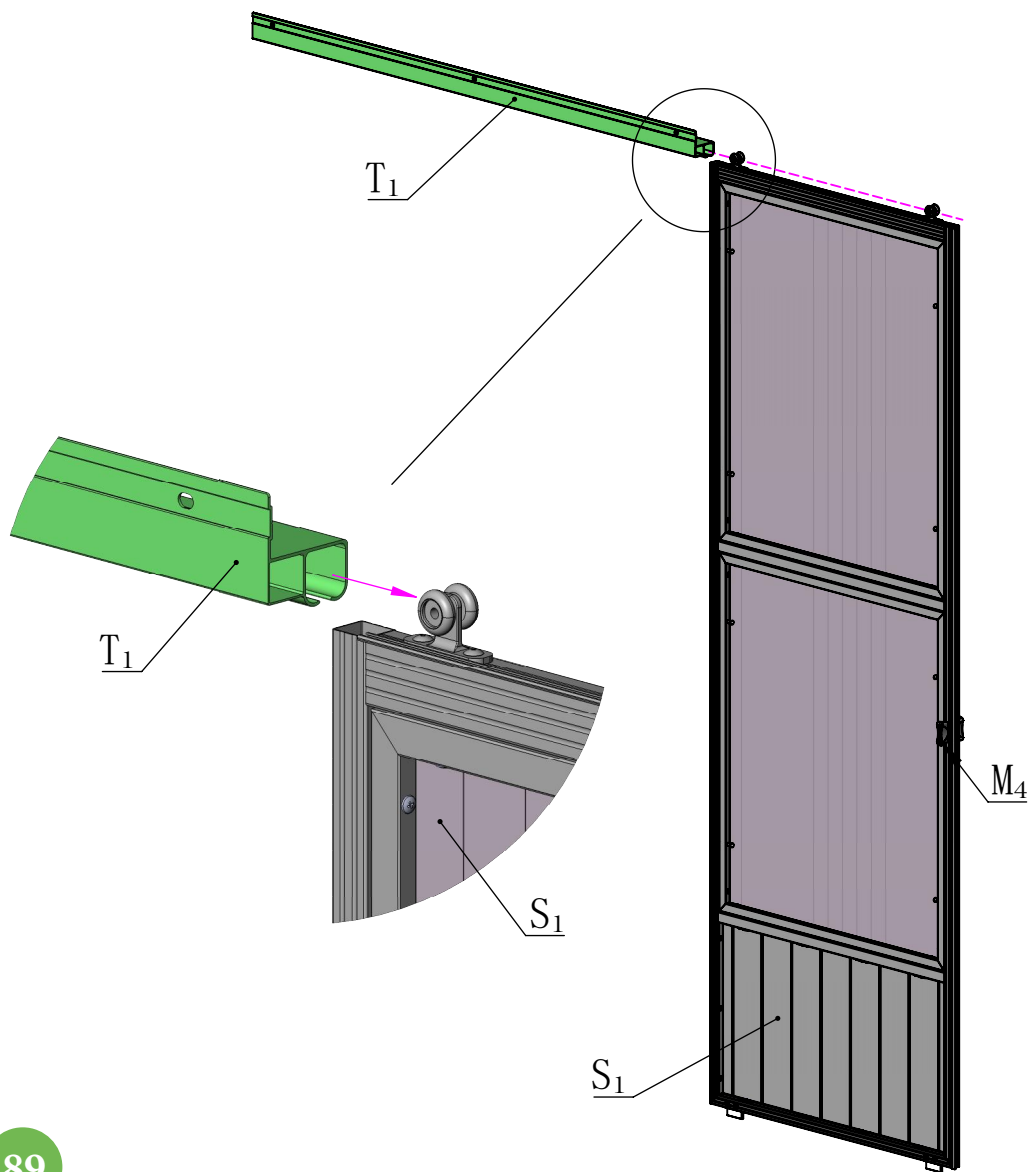


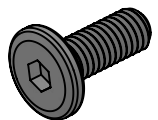


T₁ 1X



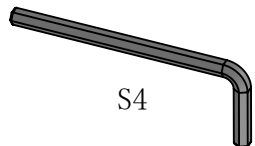
T₂ 1X





M6*16

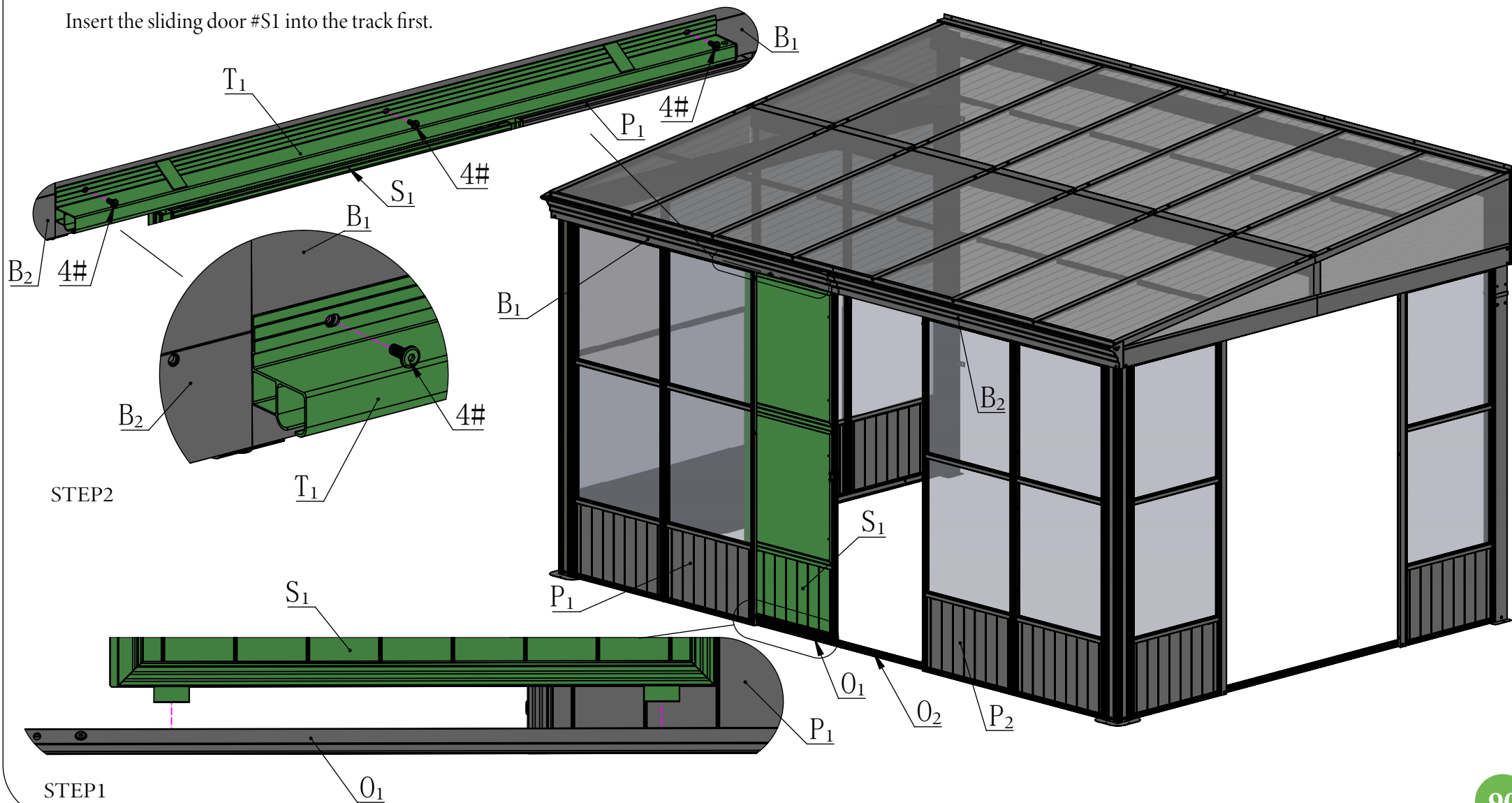
4# 3X

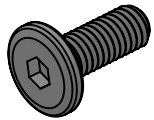


S4

16# 1X

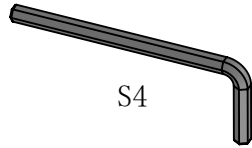
Insert the sliding door #S1 into the track first.





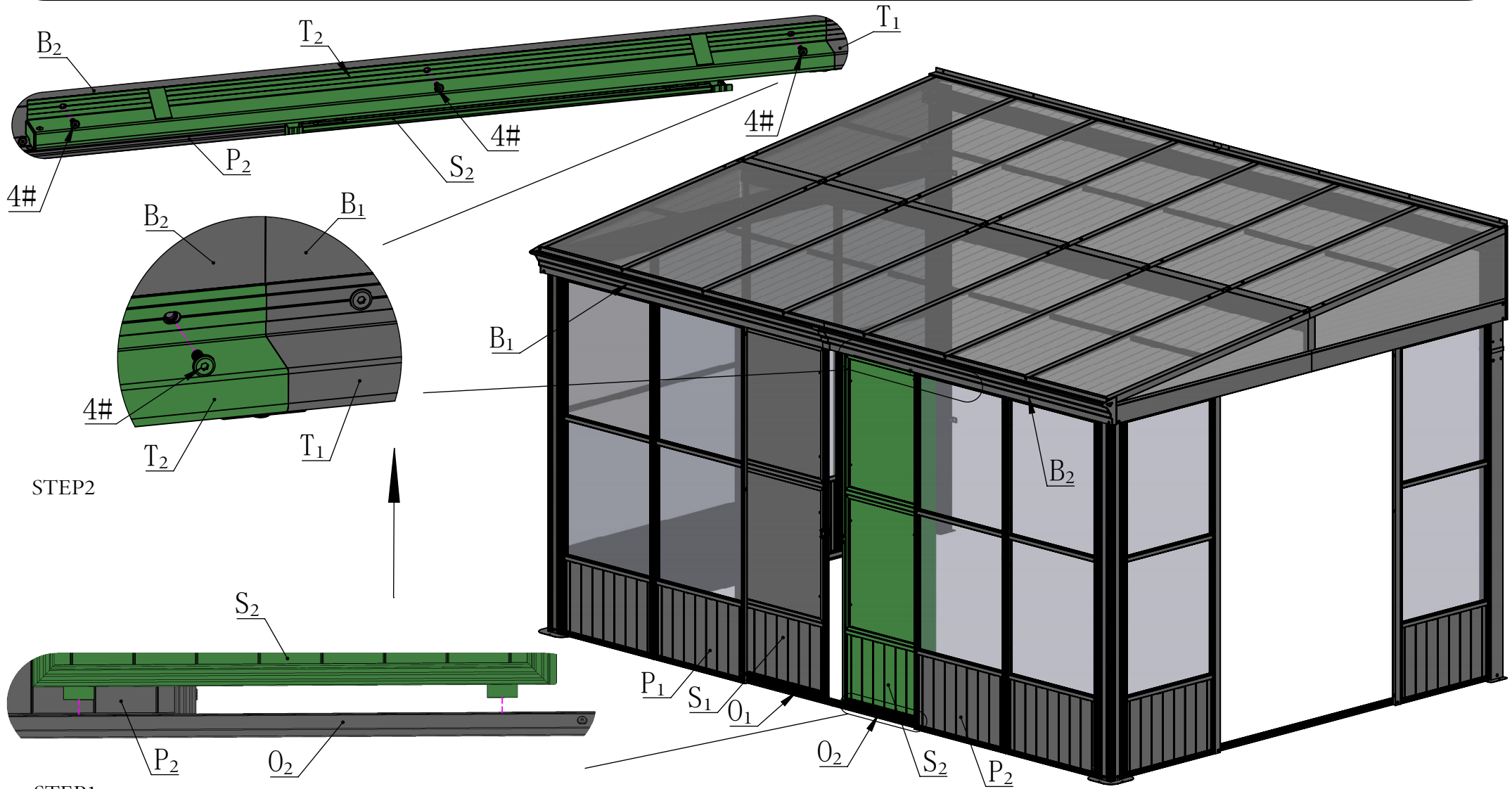
M6*16

4# 3X



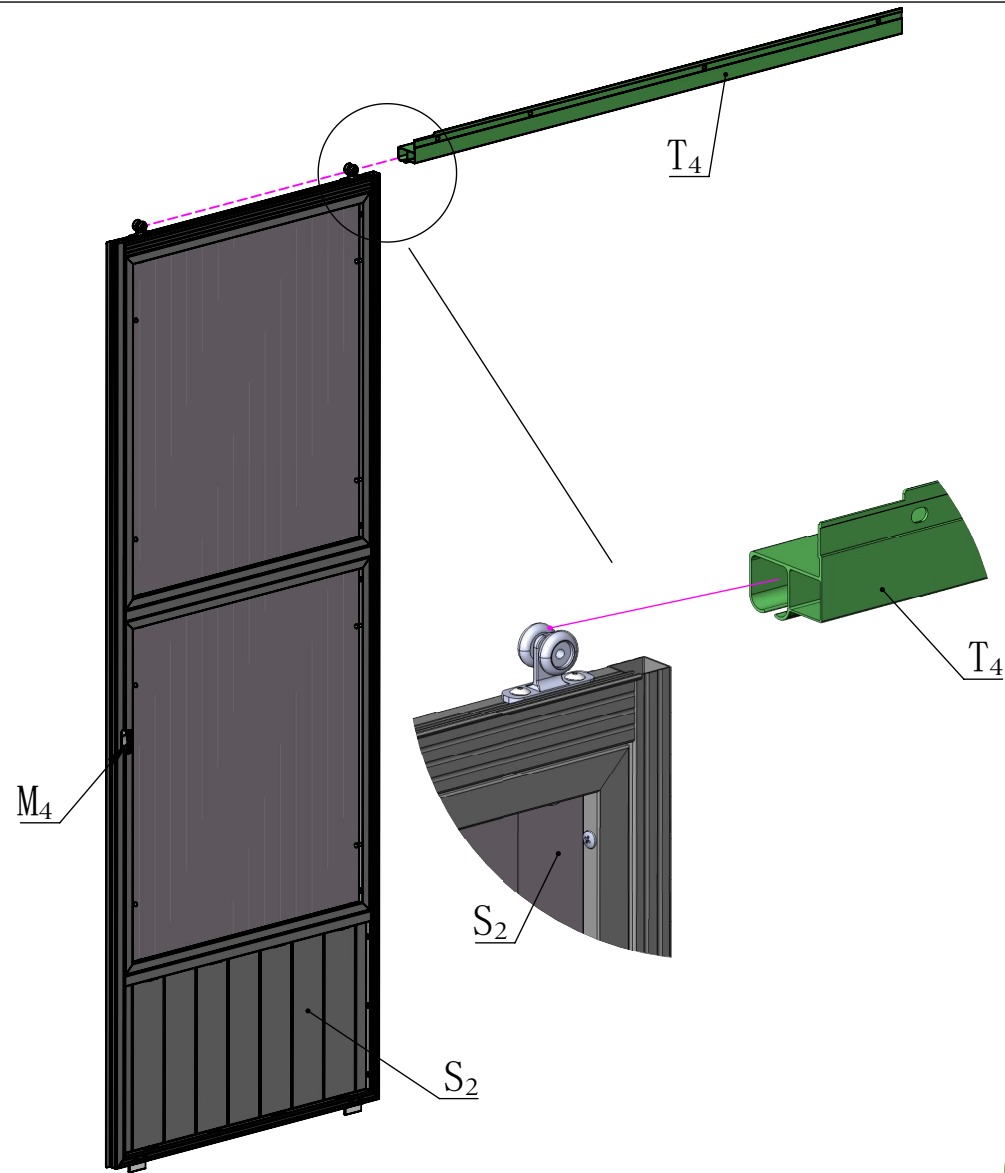
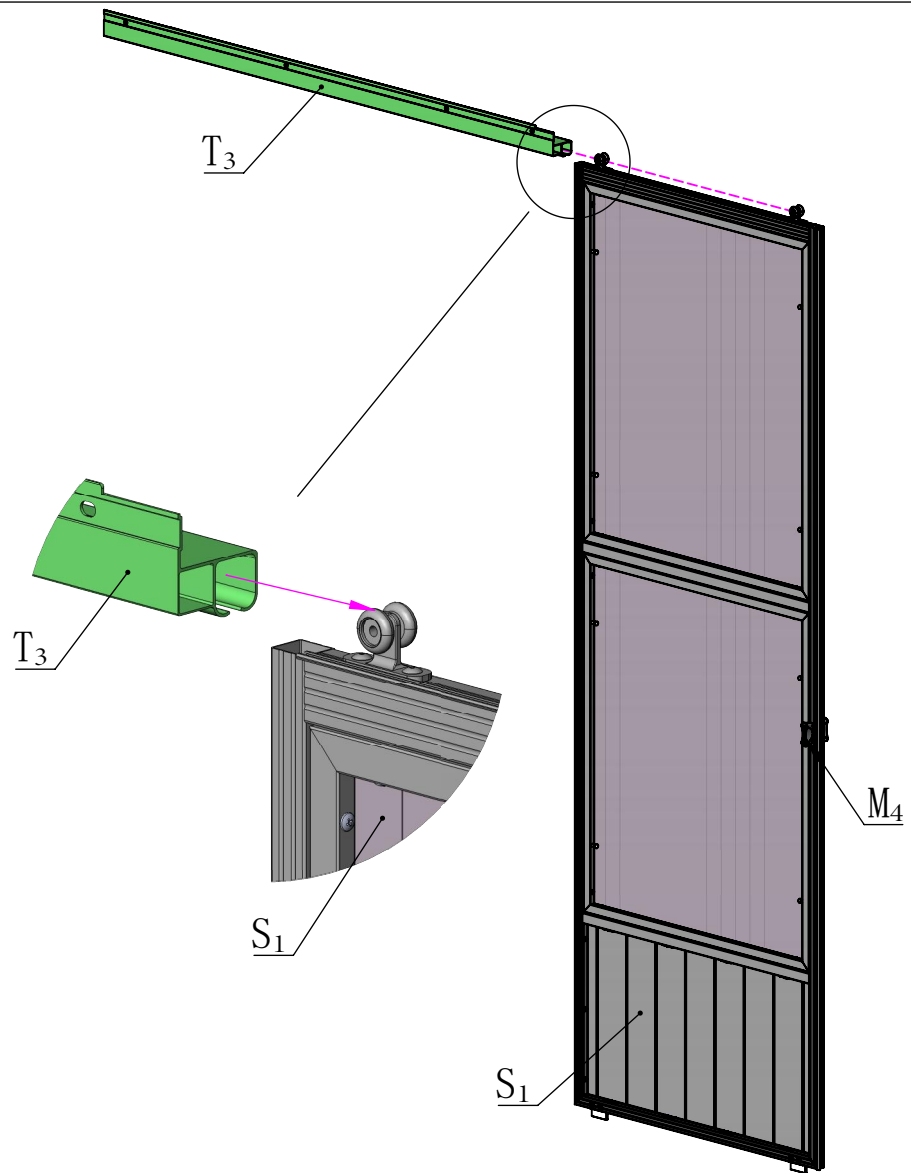
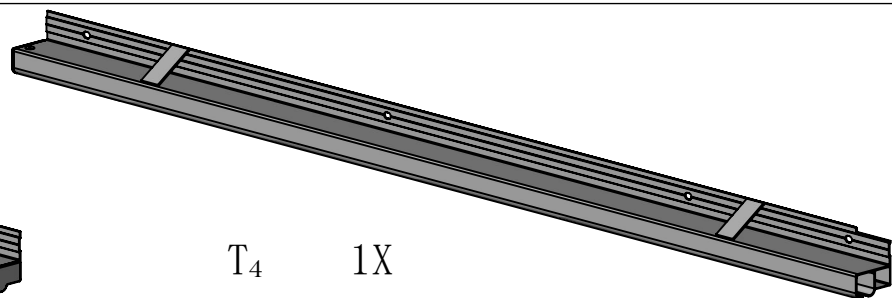
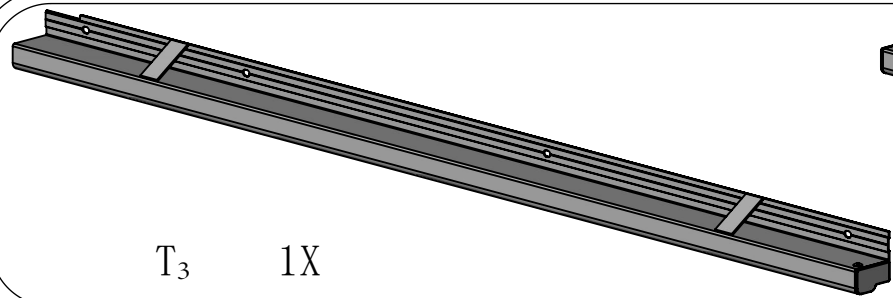
S4

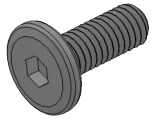
16# 1X



STEP2

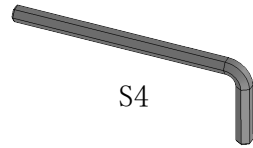
STEP1





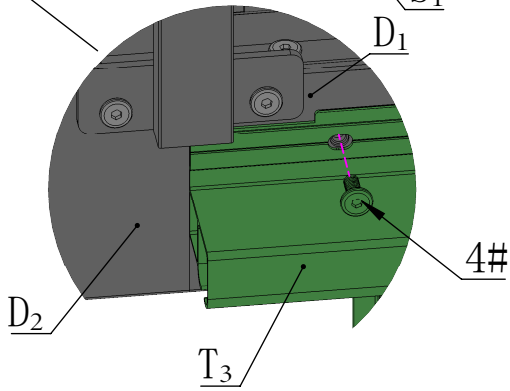
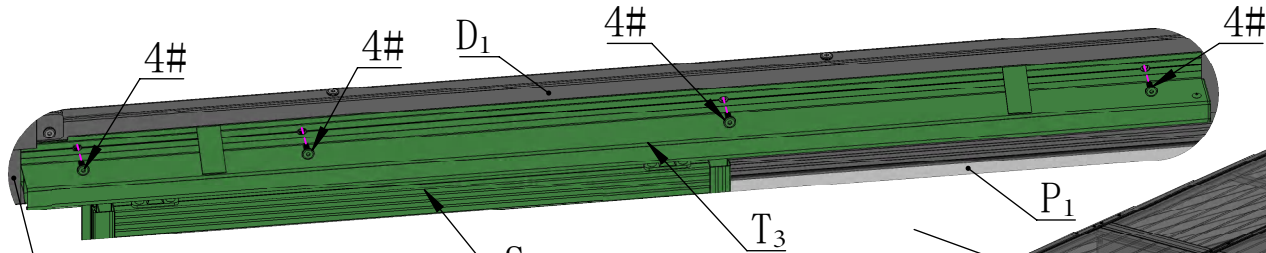
M6*16

4# 4X

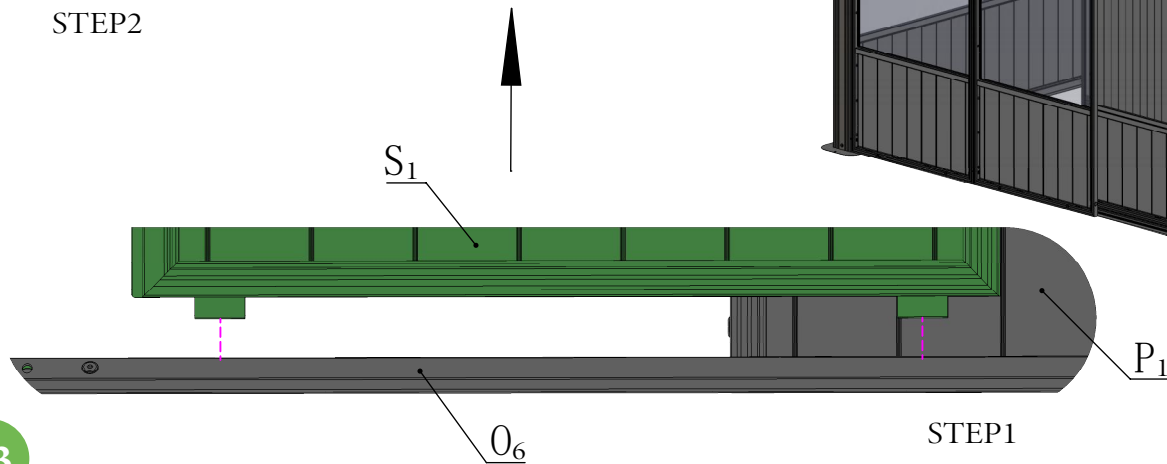


S4

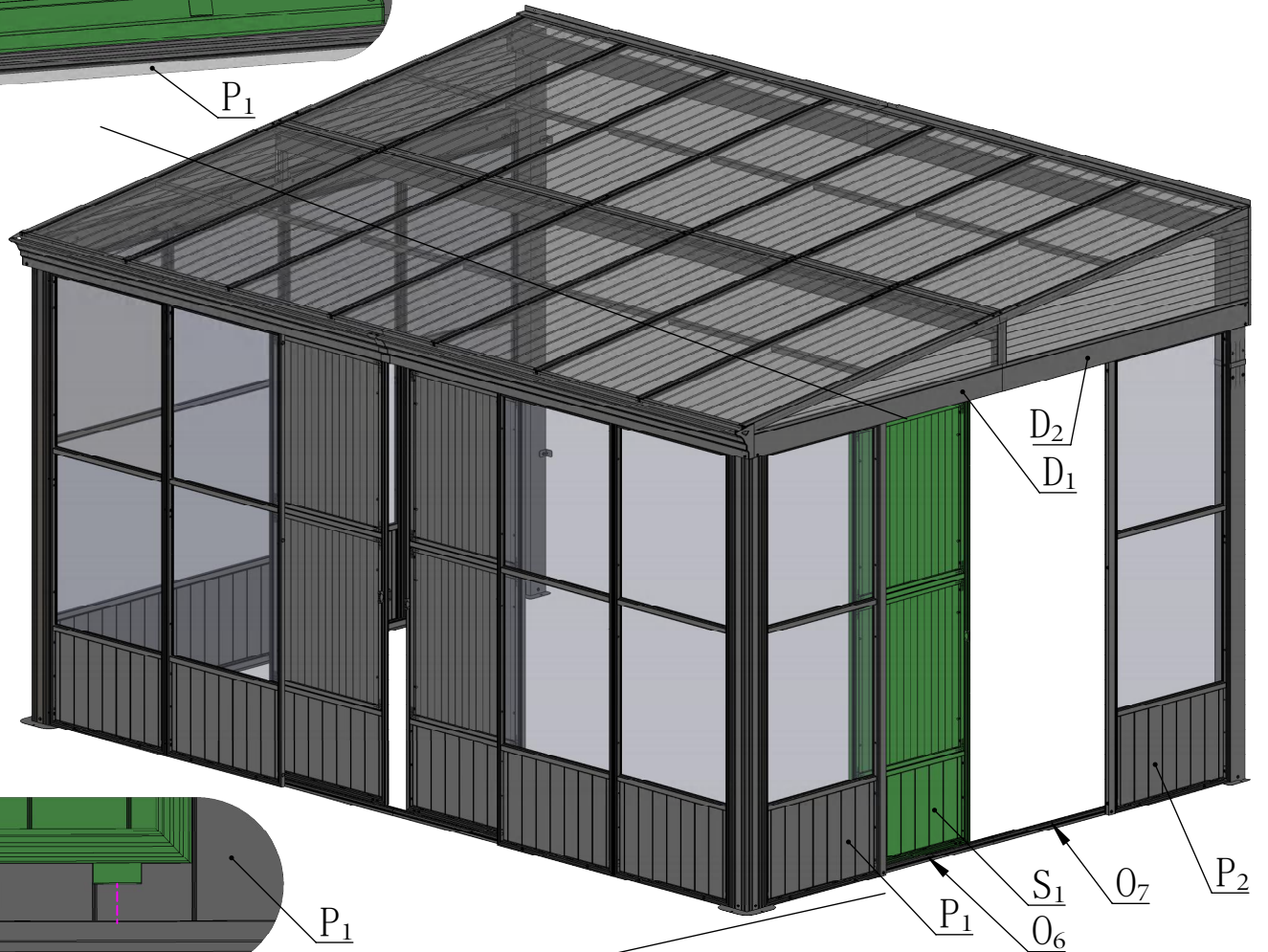
16# 1X



STEP2



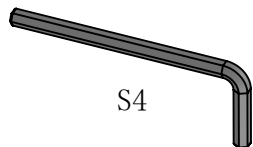
STEP1





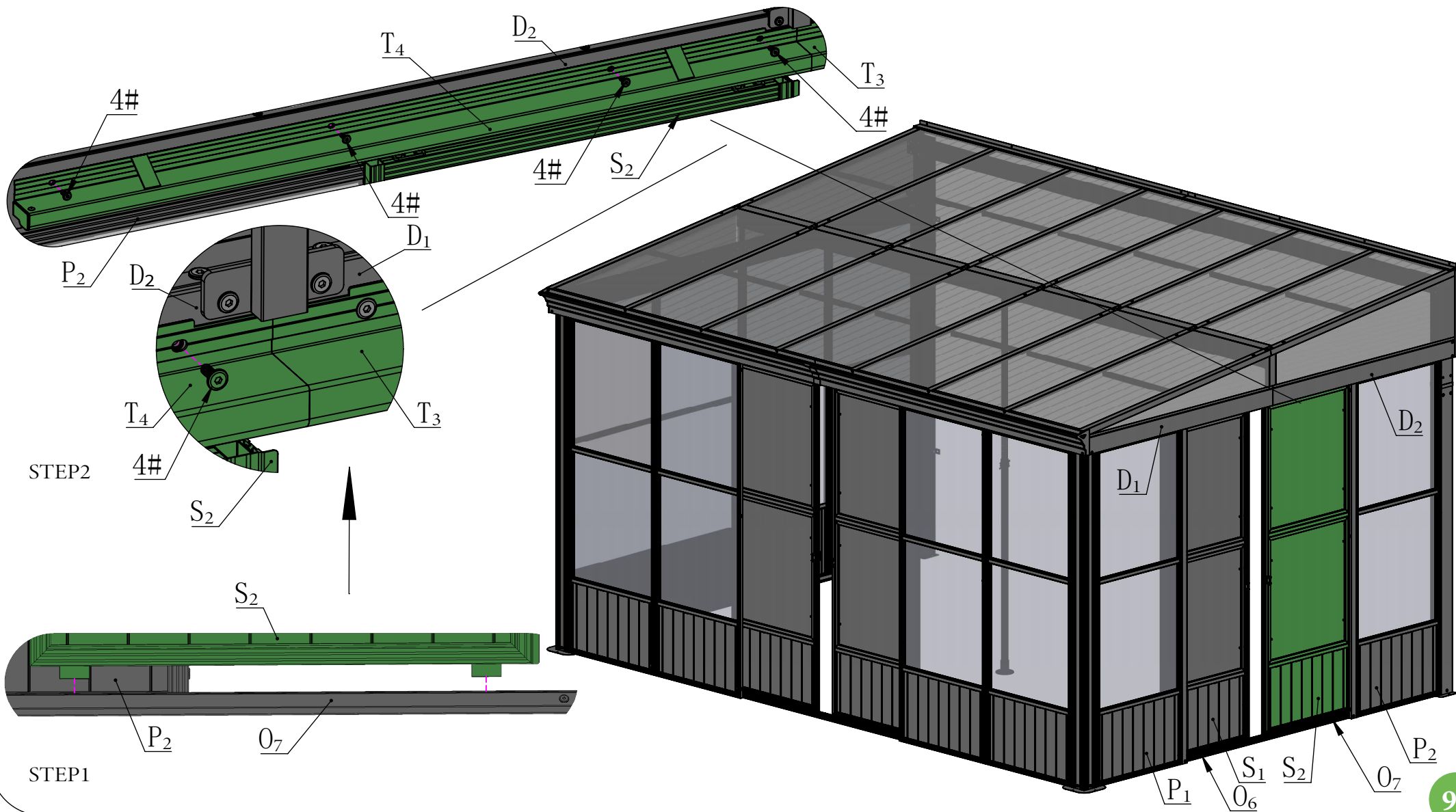
M6*16

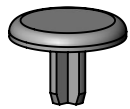
4# 4X



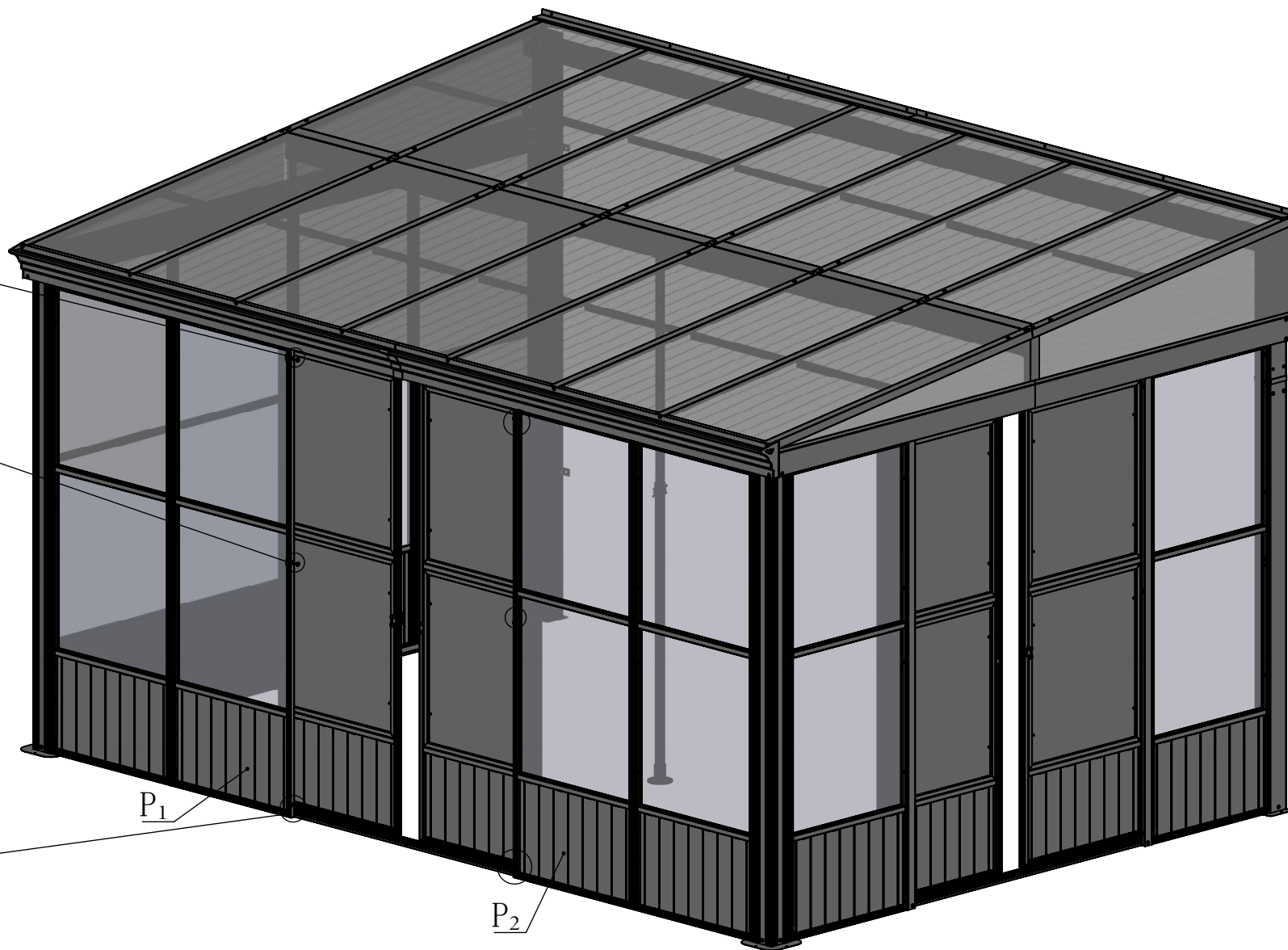
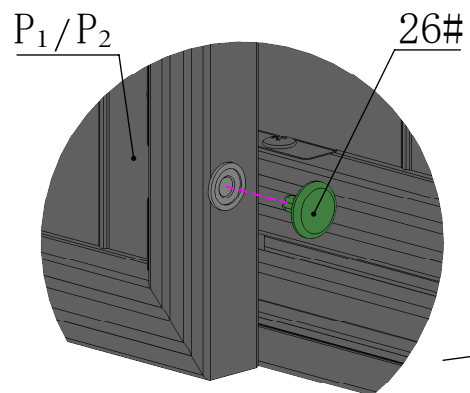
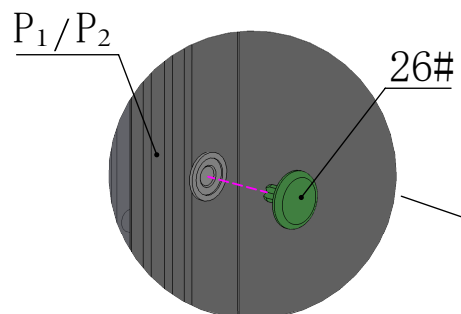
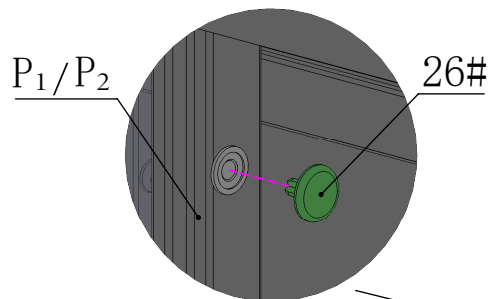
S4

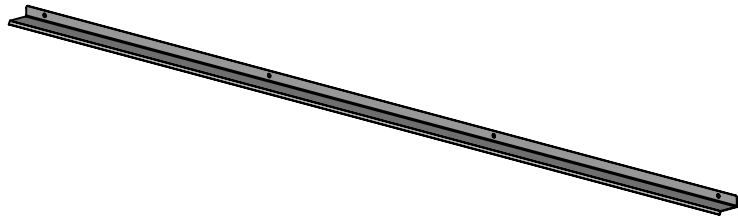
16# 1X





26# 6X



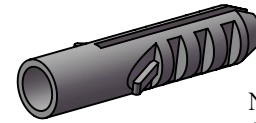


R1 2X



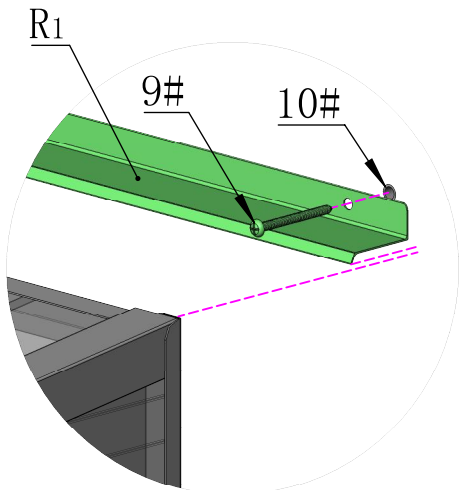
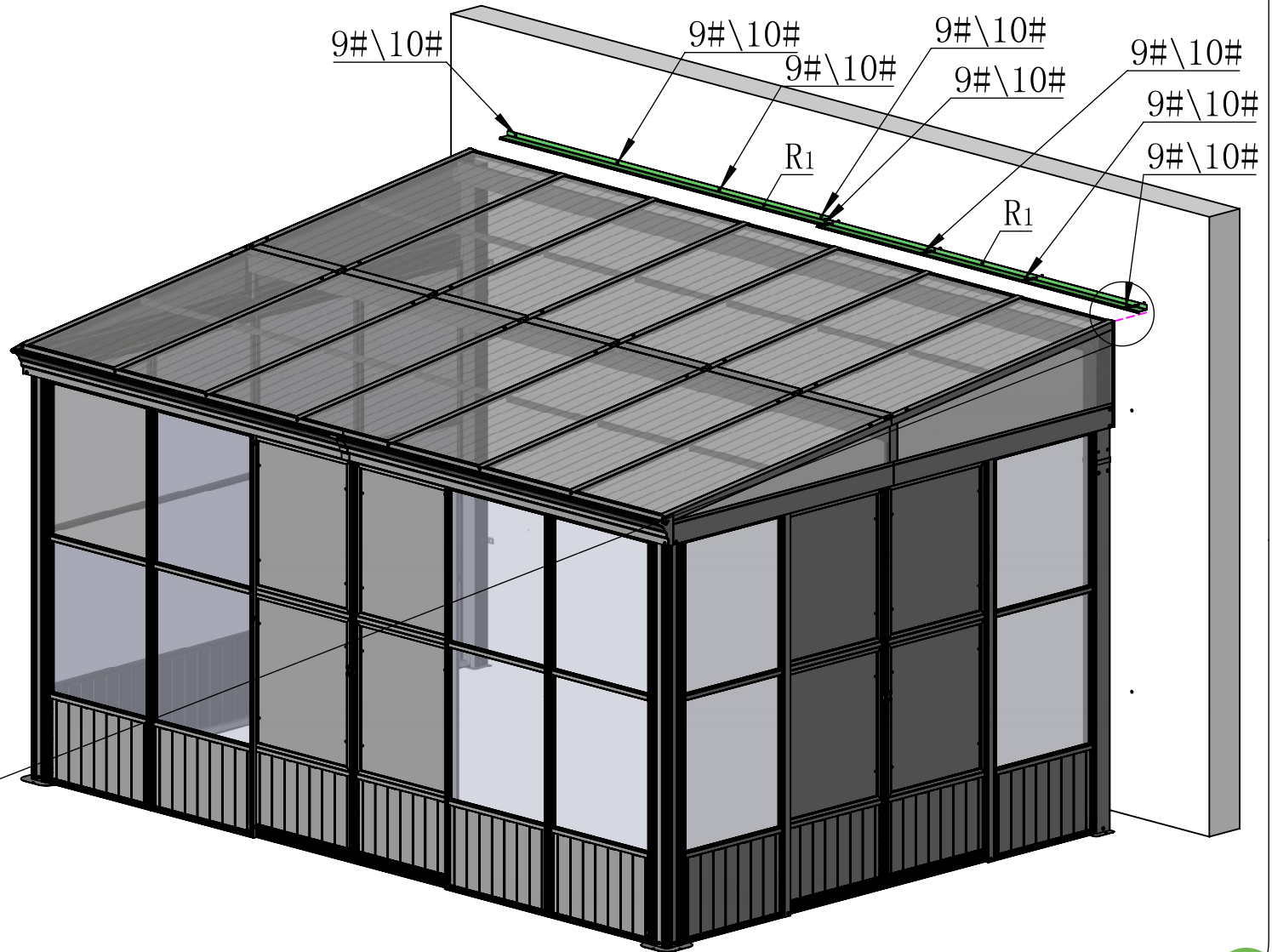
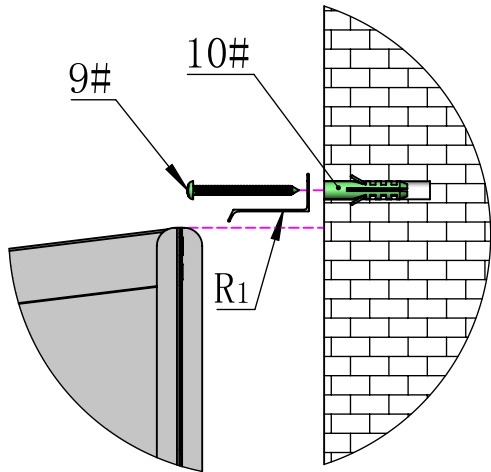
ST6.0*70

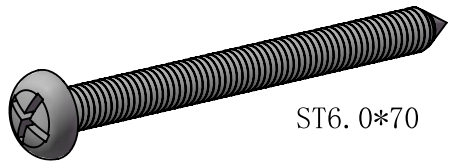
9# 8X



10# 8X

Note: If you do not consider fixing on the wall, you can skip this step.
(This step requires drilling holes in the wall for fixing. The water stopper R1 should be installed tightly against the top of the sunroom.)

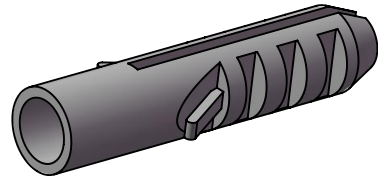




ST6. 0*70

9#

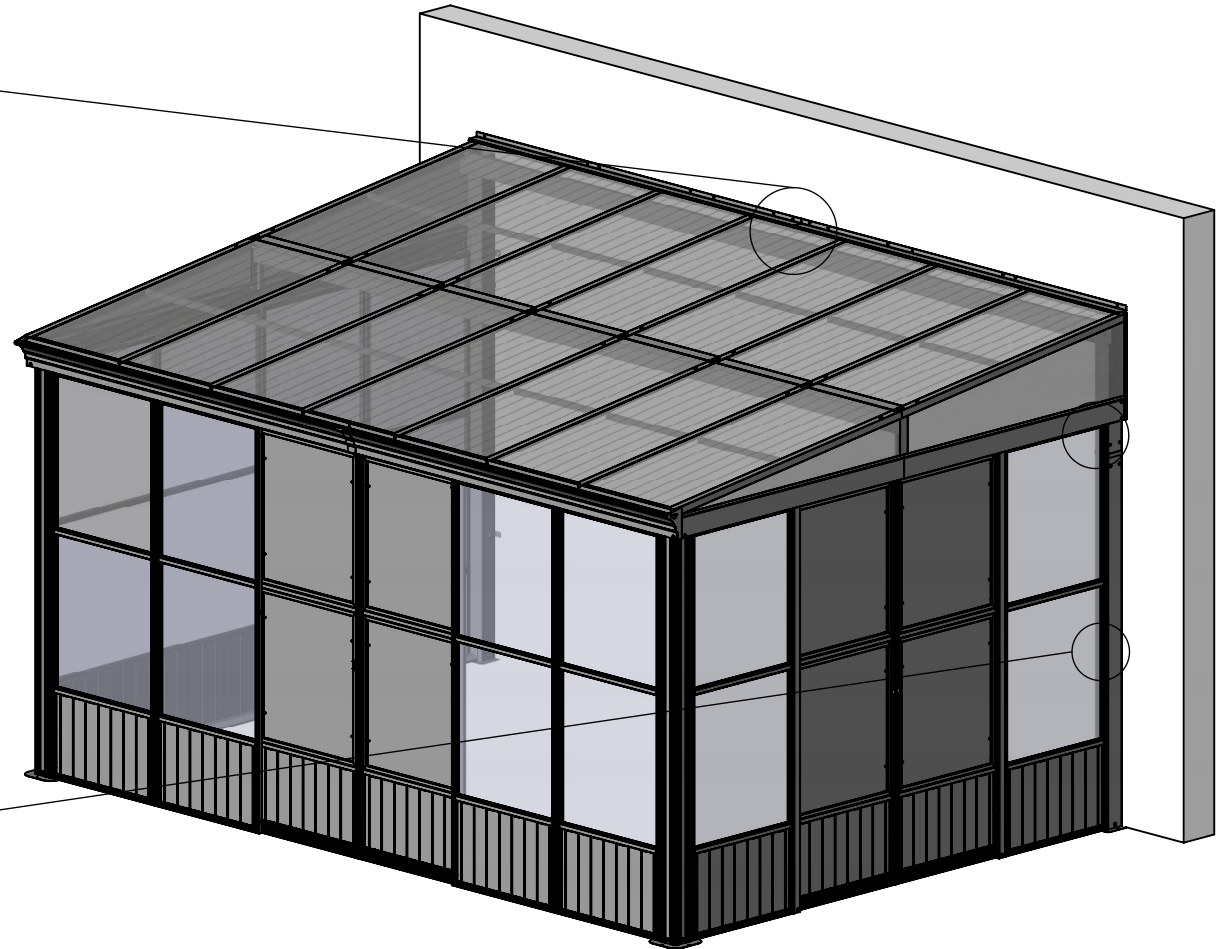
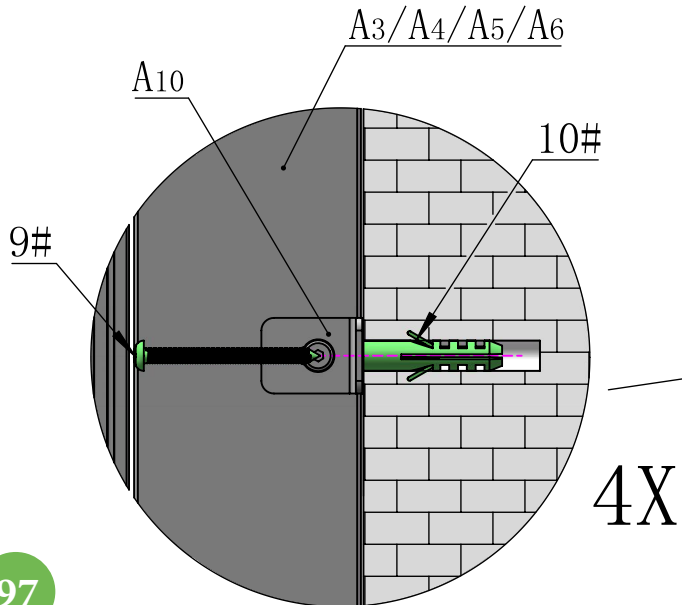
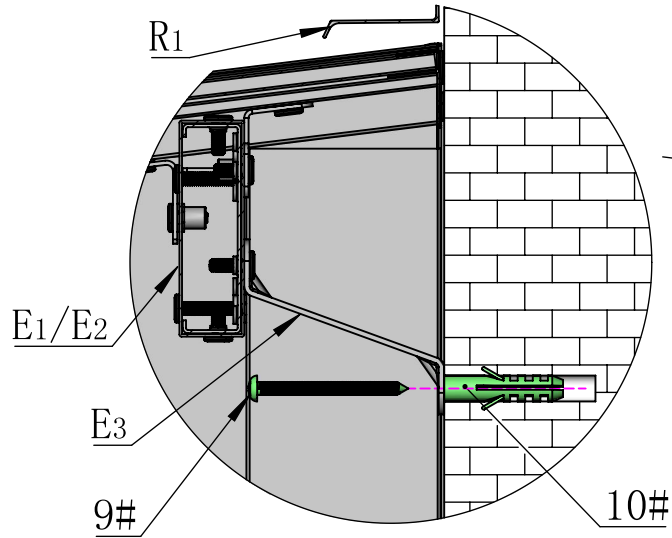
6X



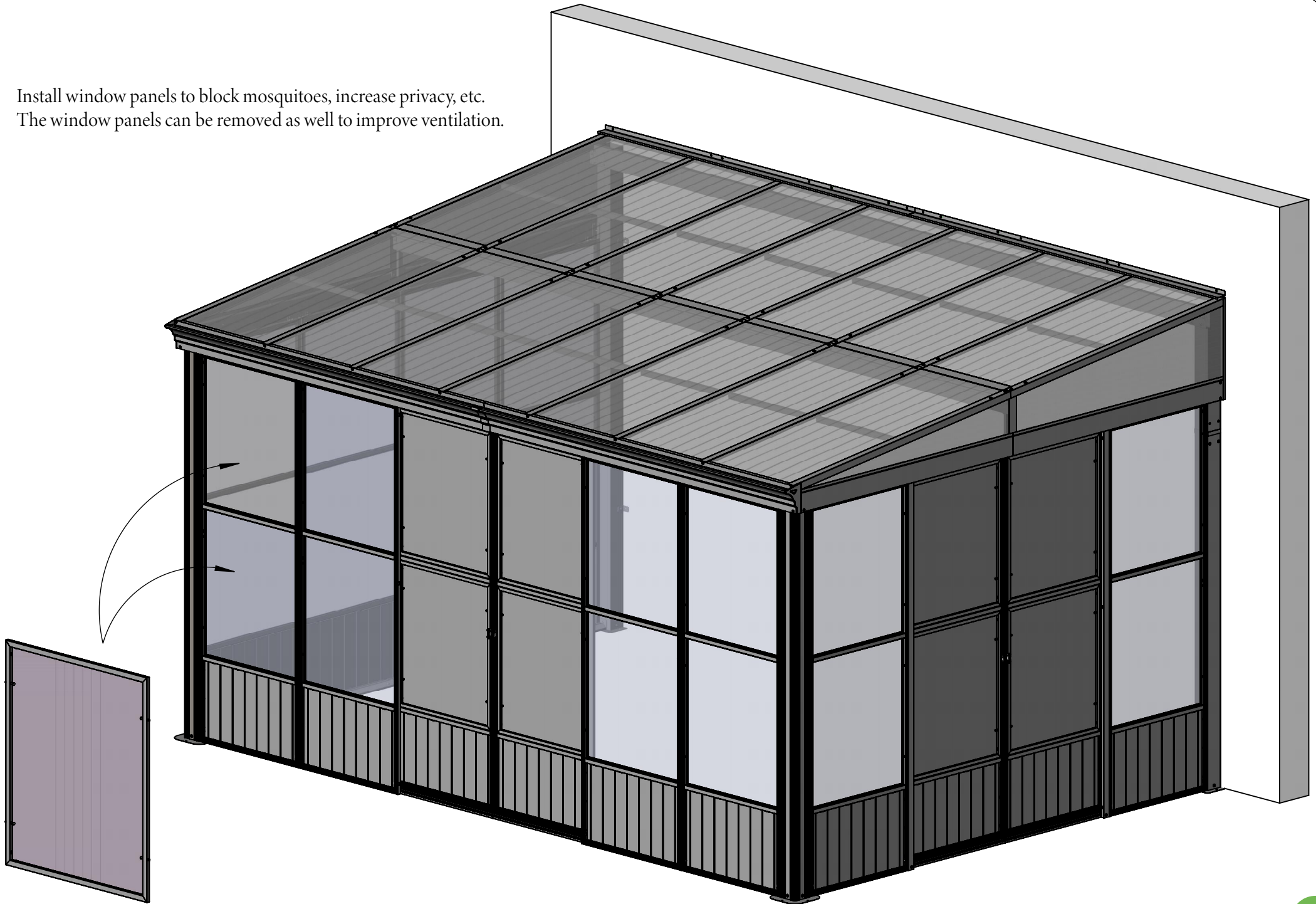
10#

6X

Note: If you do not consider fixing on the wall, you can skip this step.
(This step requires drilling holes in the wall for fixing.)



Install window panels to block mosquitoes, increase privacy, etc.
The window panels can be removed as well to improve ventilation.



Care and Cleaning

Wash frame part with mild soap and water, rinse thoroughly.

Do not use bleach, or other solvents on the frame parts.

Please check periodically that the sunroom is anchored properly to the floor or ground to enjoy its safe usage.

Please check periodically that all screws are tight to maintain the solidity of the structure.

Please remove any snow accumulation at all times.

Warranty

Frames

Frames constructions are warranted to be free from defects in material and workmanship for 1 year from item purchased. Damage to frame from negligence won't be covered by this warranty.

Bolts & nuts

Bolts and nuts are warranted to be free from defects in material and workmanship for 1 year from item purchased. Damage from exposure to chemicals (including not only oils ,spills, fluids) won't be covered by this warranty.

Warranty Limitation

This warranty is for the original purchase order only. (Order number required). This warranty is non-transferable. Domi outdoor living is responsible for the free replacement part including shipping charges for the 1 year warranty.

Warranty Exclusion

This warranty does not cover products subject to negligence, abuse usage, inappropriate installation. Domi outdoor living reserves the right to explain warranty exclusions. When the replacement item is applied, the 1 year warranty automatically expires. Please feel free to contact us for applying warranty.

RESORT COMFORT IN YONR OWN BACKYARD

Support:  

After-sales contact email:
service@domioutdoorliving.com

Please tell us your order ID when contact.

Attach photos of damaged part for instant reply.