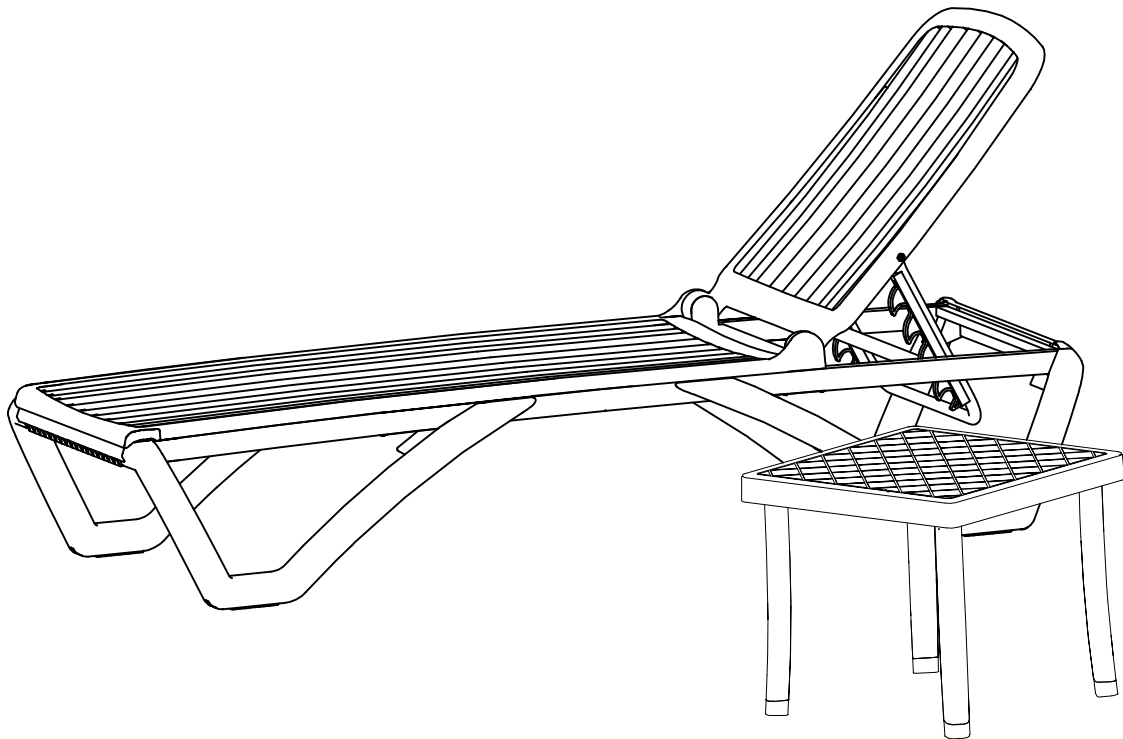
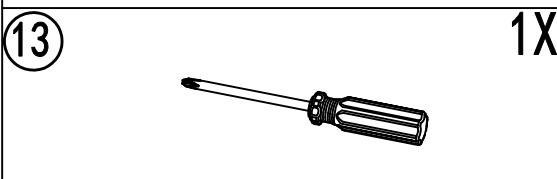
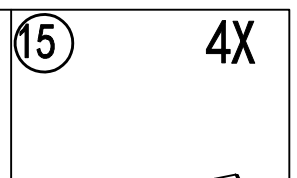
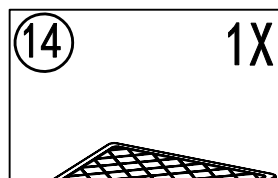
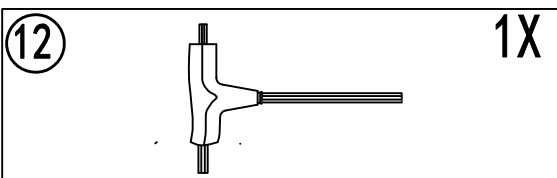
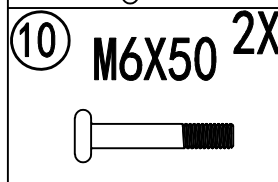
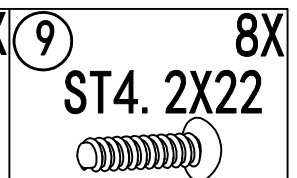
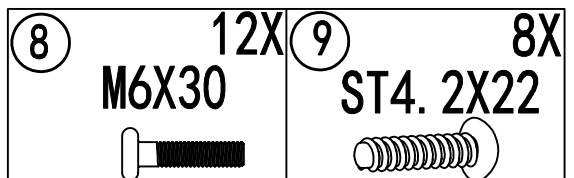
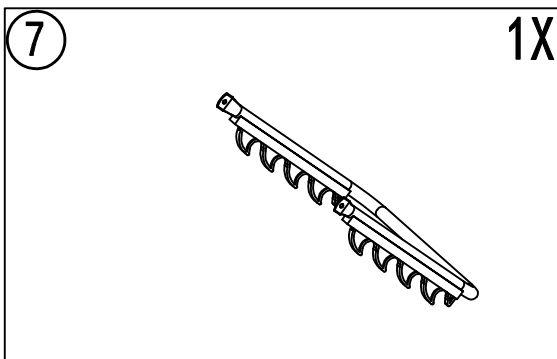
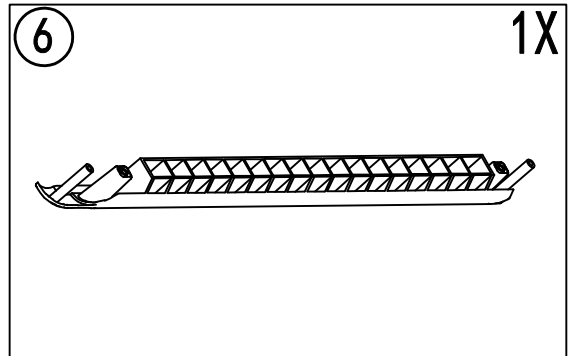
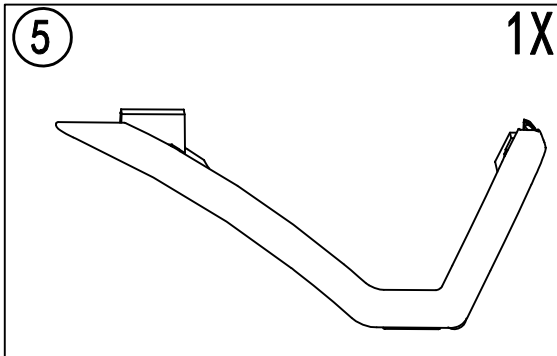
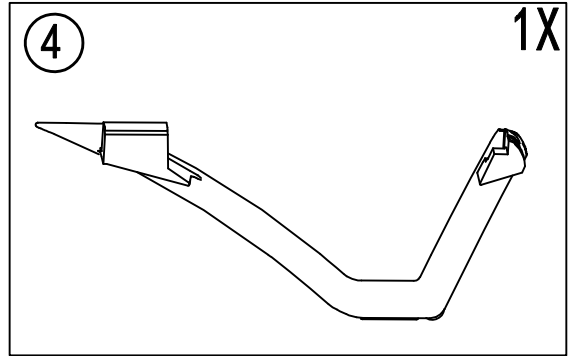
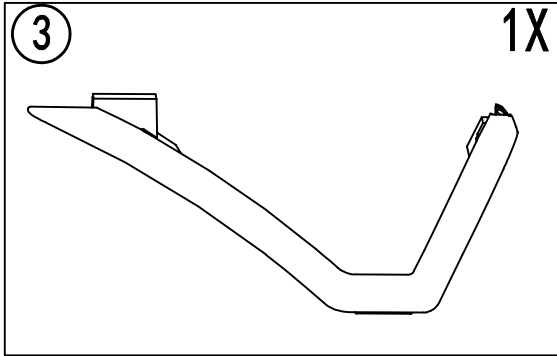
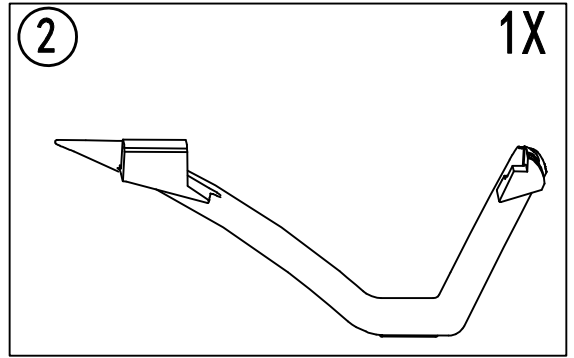
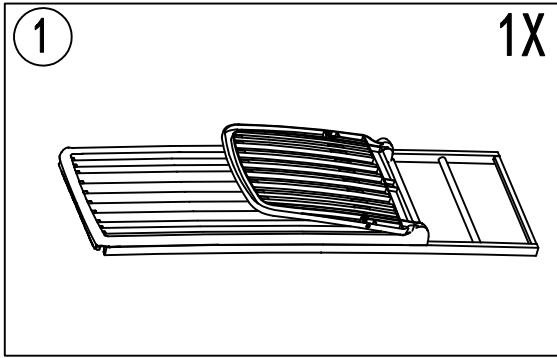


# ASSEMBLY MANUAL

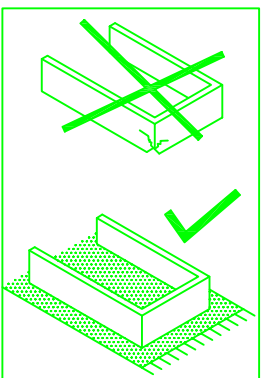


- Prior to assembly, please confirm all of the parts listed included.
- All bolts should be tightened before use. Maybe, you need allen wrench for assembly.

# Part List:

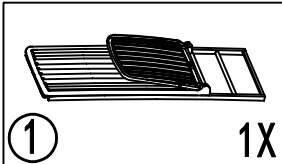


Please assemble the lounge chair on the carton or carpet to avoid scratches.

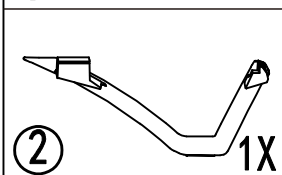


1

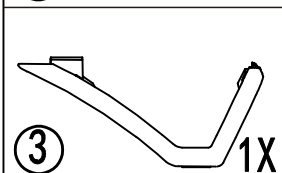
**Warm Tip:** Please don't tighten the screws before finishing assembly.



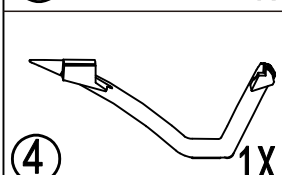
① 1X



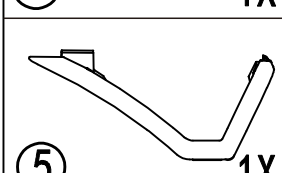
② 1X



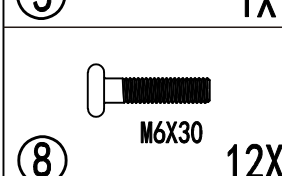
③ 1X



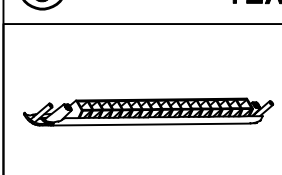
④ 1X



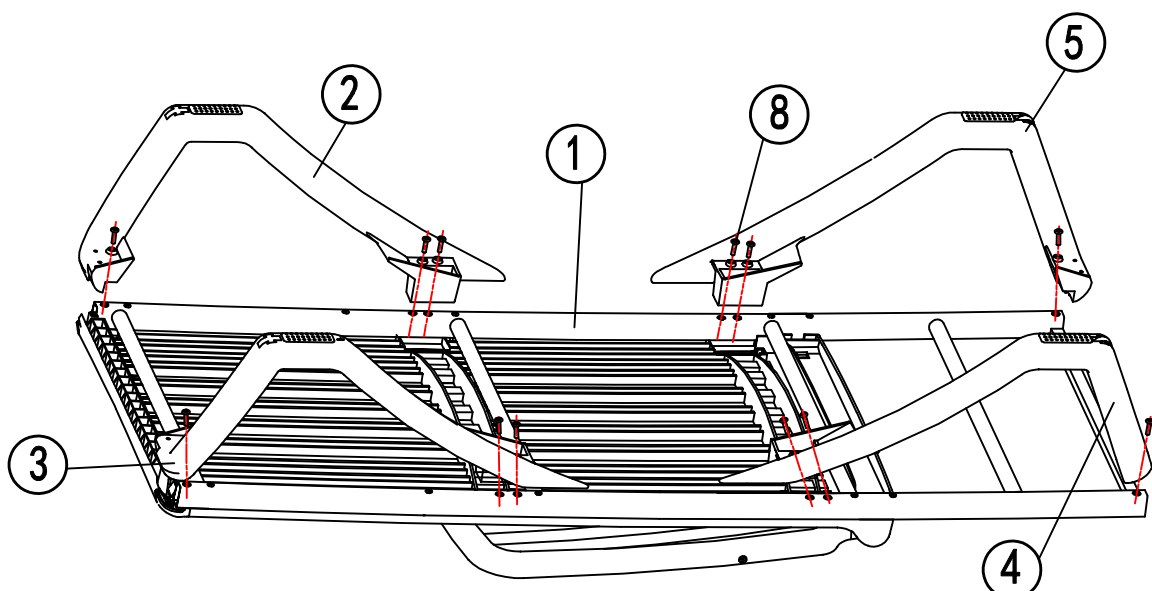
⑤ 1X



⑧ M6X30 12X

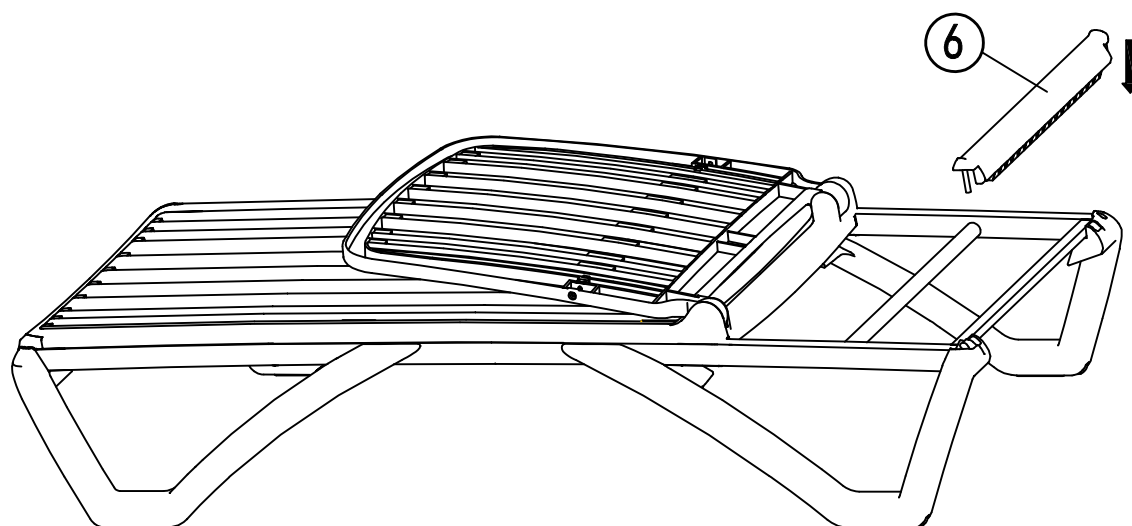


⑥ 1X



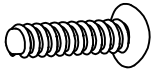
**Step 1:**

Insert 4 legs (Part #2 #3 #4 #5) to Part #1 separately using 12 Bolts #8 as shown in diagram.



**Step 2:**

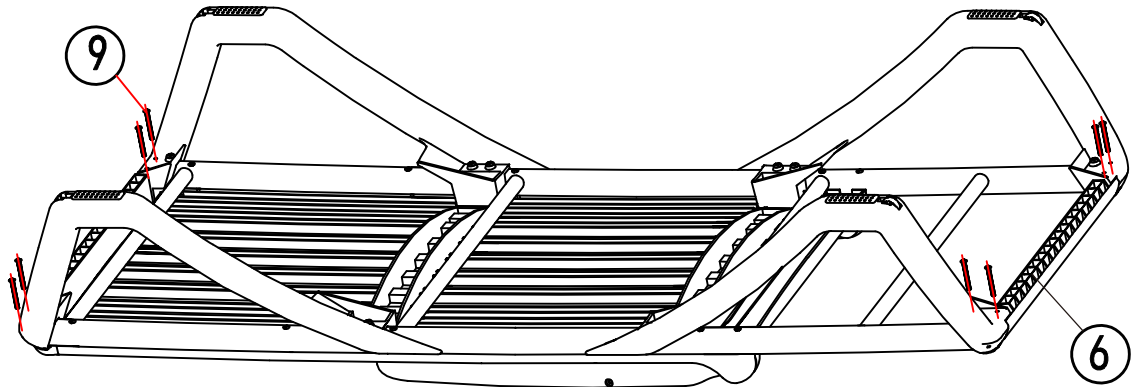
Insert Part #6 to the legs as shown in diagram (you may need a hammer if possible).



ST4. 2\*22

9

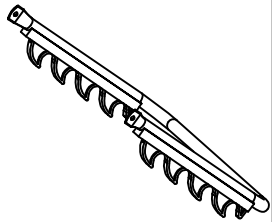
8X



**Step 3:**

Turn it around, use 8 self-tapping bolts #9 to secure part #6 and front legs to the frame.

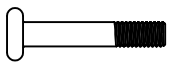
(Tips: Please press part #6 to make sure all the self-tapping bolts are fully tightened)



7

1X

M6X50



10

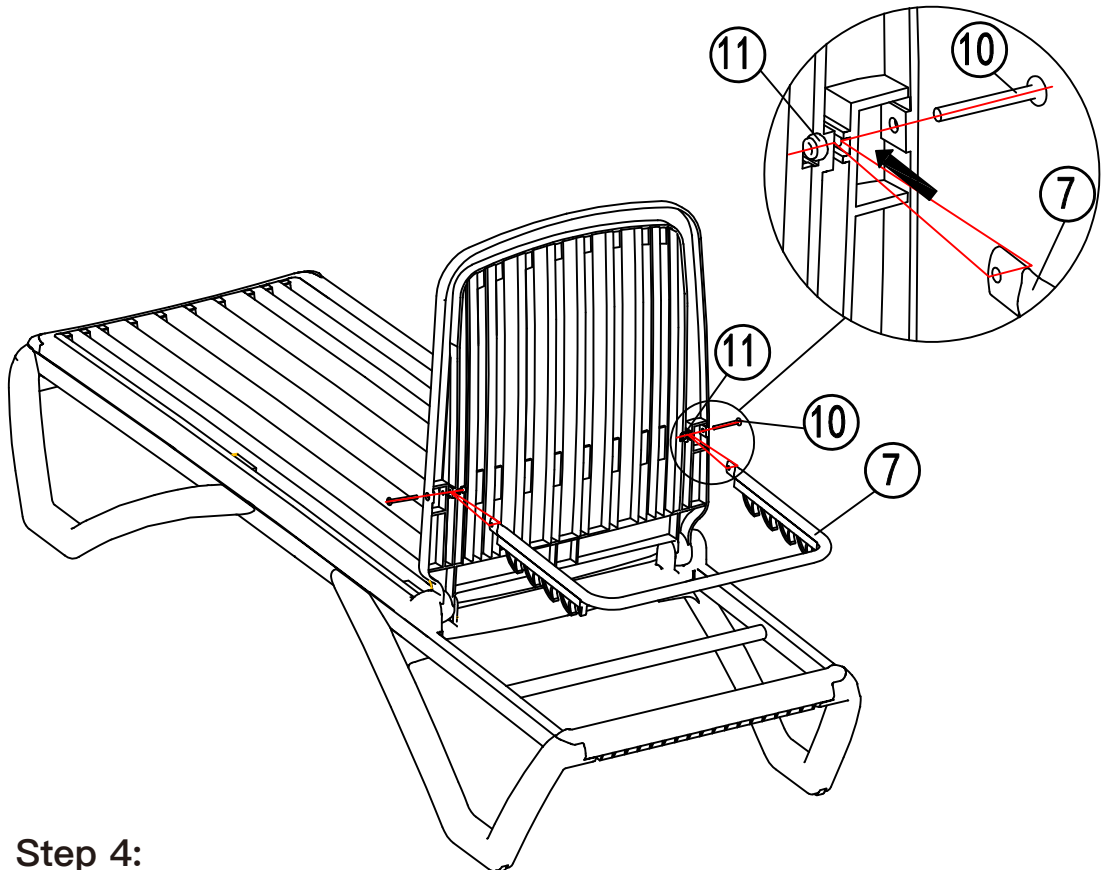
2X



M6

11

2X



**Step 4:**

Insert 2 nuts #11 to the slot of the backrest;

Insert part #7;

Align the holes and secure with 2 bolts #10.

3

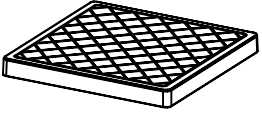


Table Top

14

1X



Leg

15

4X

