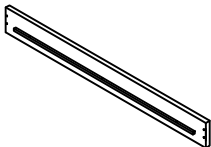
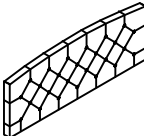


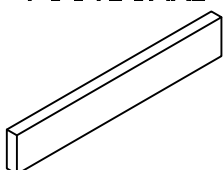
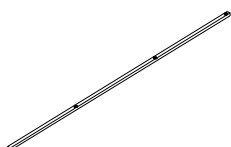




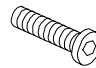
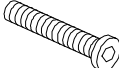
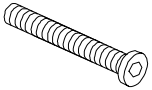
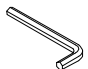

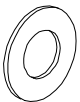
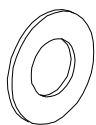
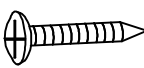
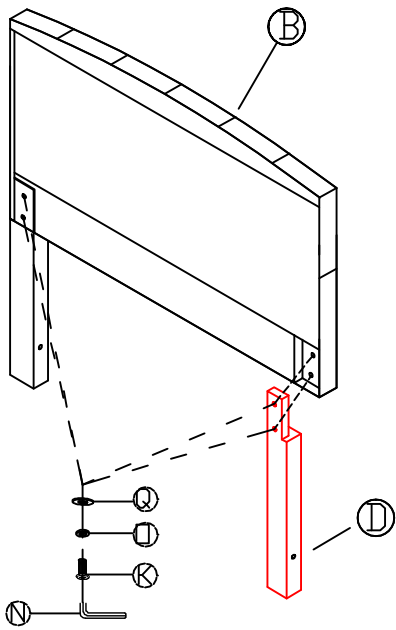


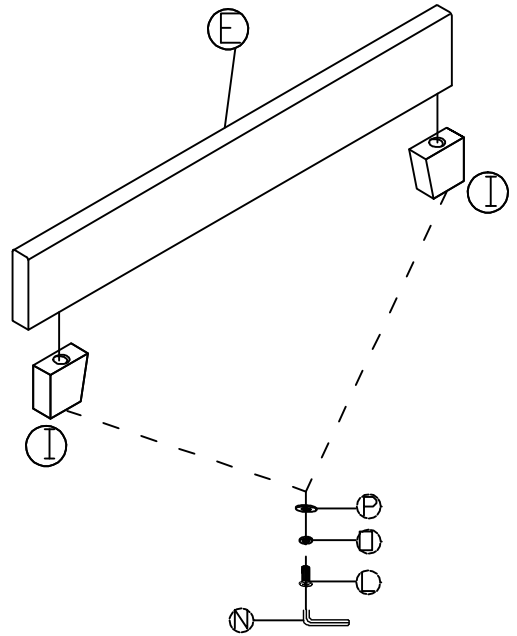
ASSEMBLY INSTRUCTIONS

A RAIL  2PCS	B HEADBOARD  1PC	C Wingback  2PCS	D HB LEG  2PCS
E FOOTBOARD  1PC	F METAL SLAT  4PCS	G SUPPORT LEG  8PCS	H CONNECTION STRAP  4PCS
I FB FEET  2PCS	J BOLT $\frac{5}{16}$ "x1"  16PCS	K BOLT $\frac{5}{16}$ "x2"  16PCS	L BOLT $\frac{5}{16}$ "x3"  2PCS
M BOLT $\frac{5}{16}$ "x5"  2PCS	N ALLEN WRENCH 5MM  1PC	O LOCK WASHER 5/16"Ø12MM  36PCS	P FLAT WASHER 5/16"Ø19MM  26PCS
Q FLAT WASHER 5/16"Ø22MM  10PCS	R SCREW 8MMx1-3/4"  8PCS		

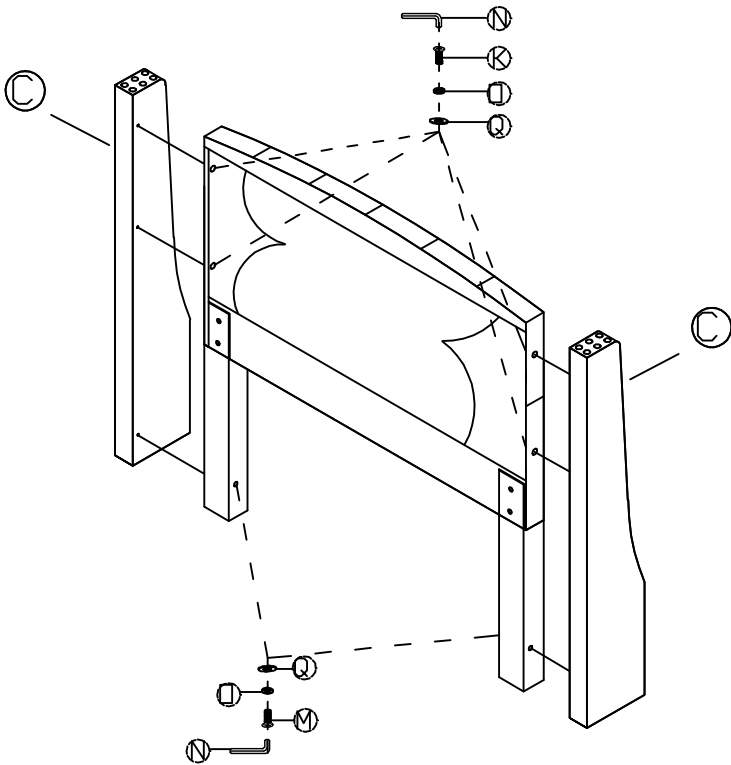
STEP 1



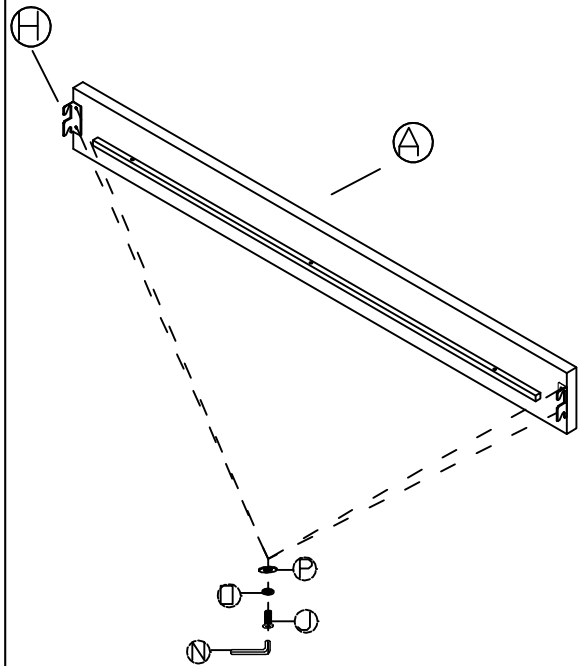
STEP 2



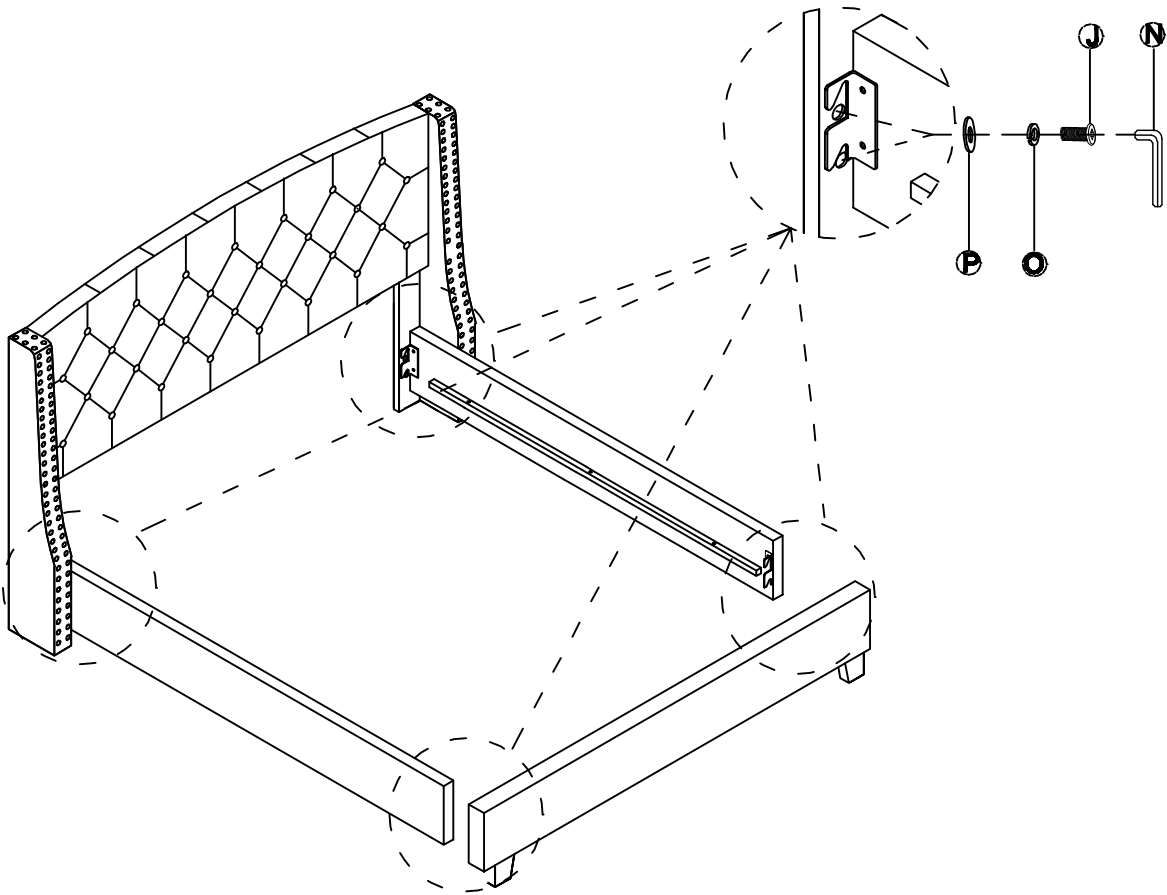
STEP 3



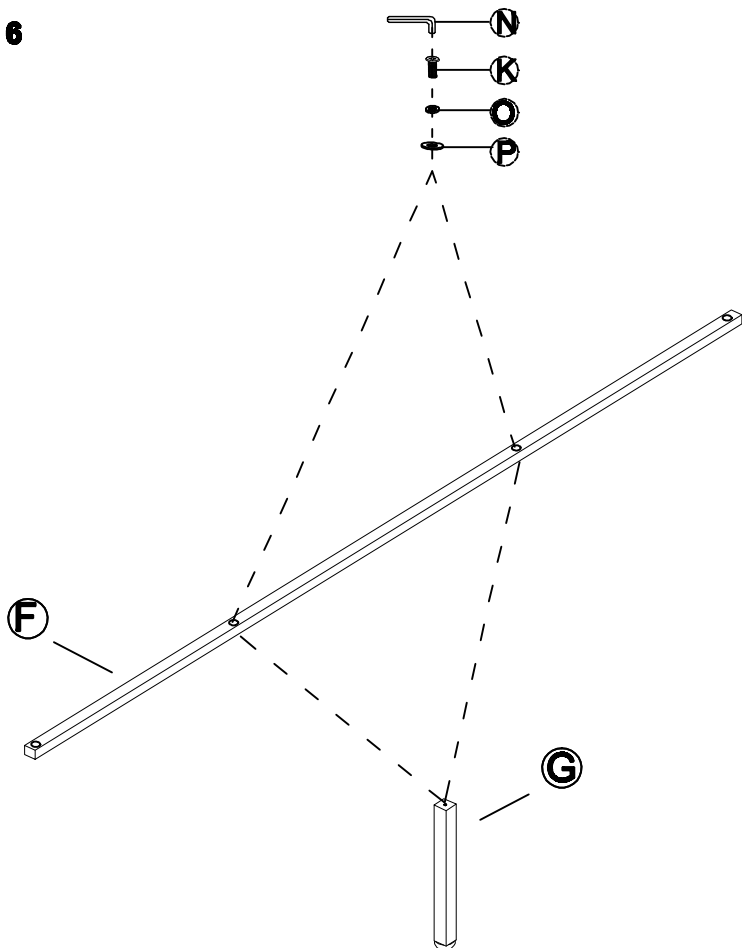
STEP 4



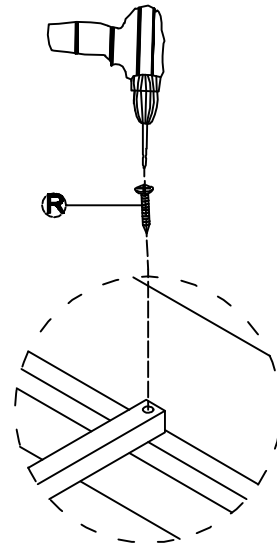
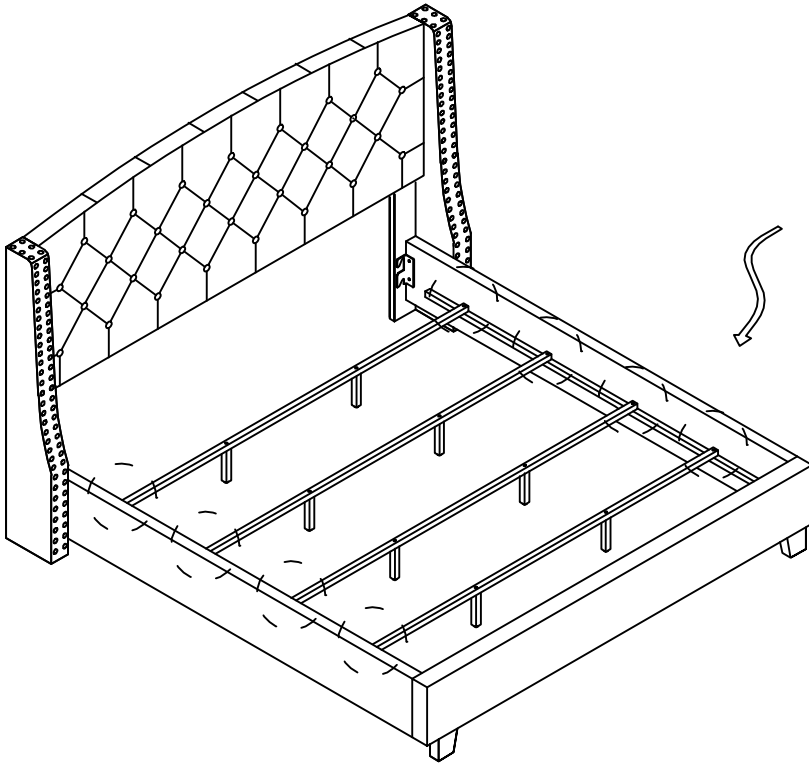
STEP 5



STEP 6



STEP 7



STEP 8

